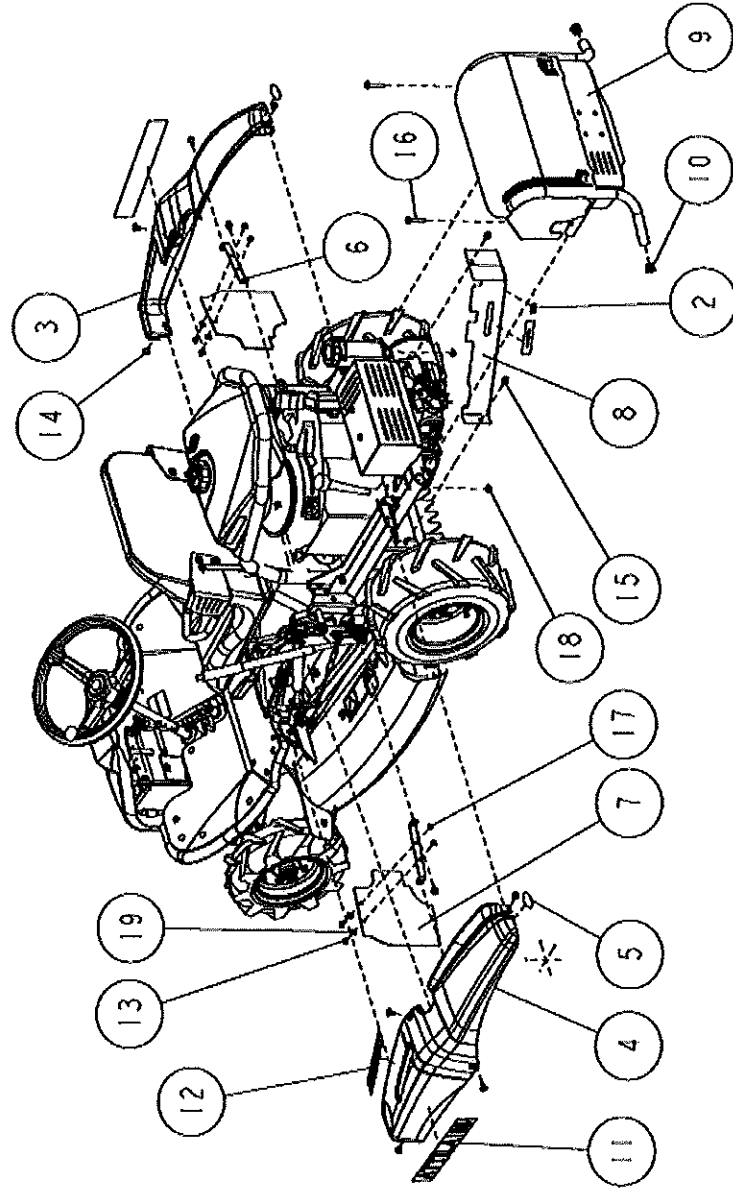


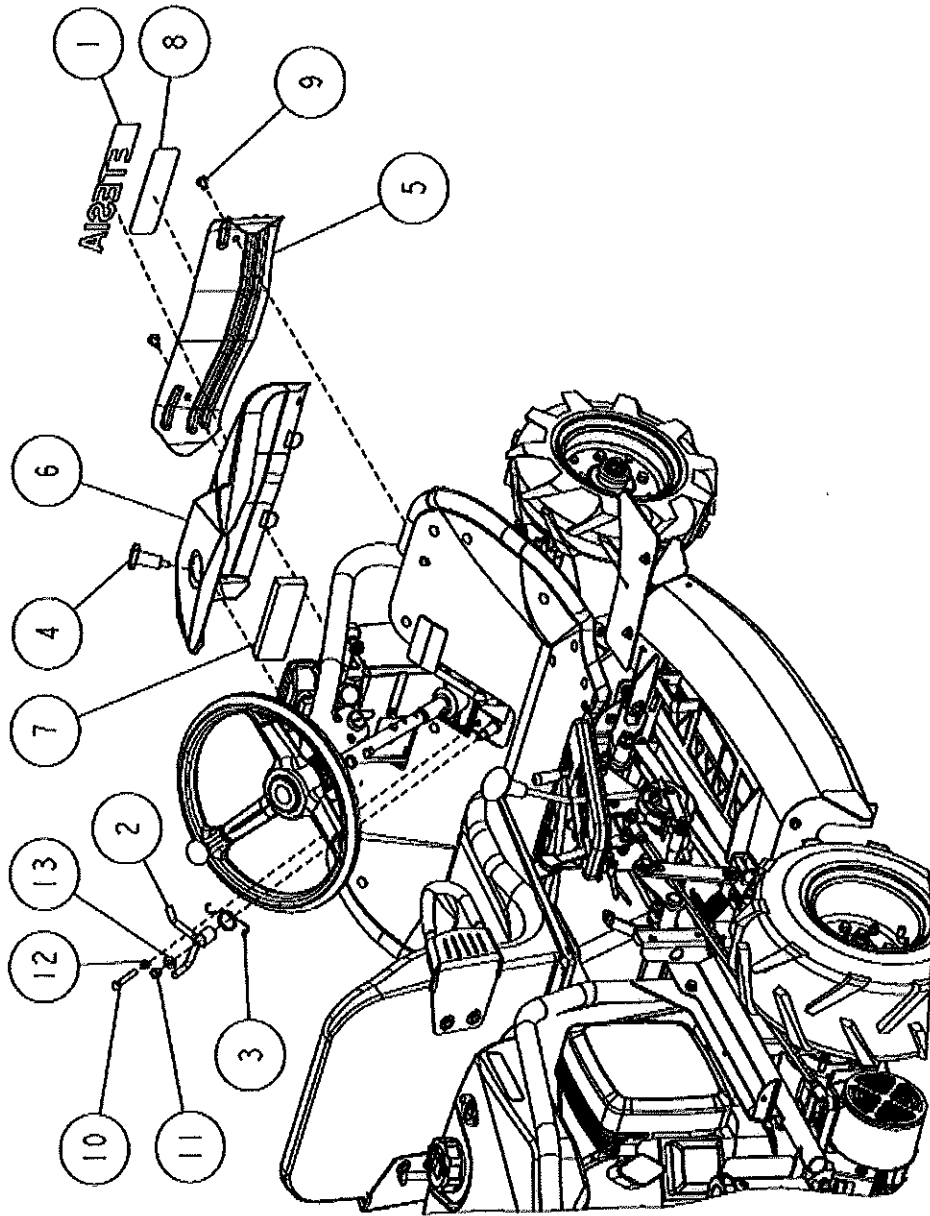
**AV88 2011**

**12/2011**



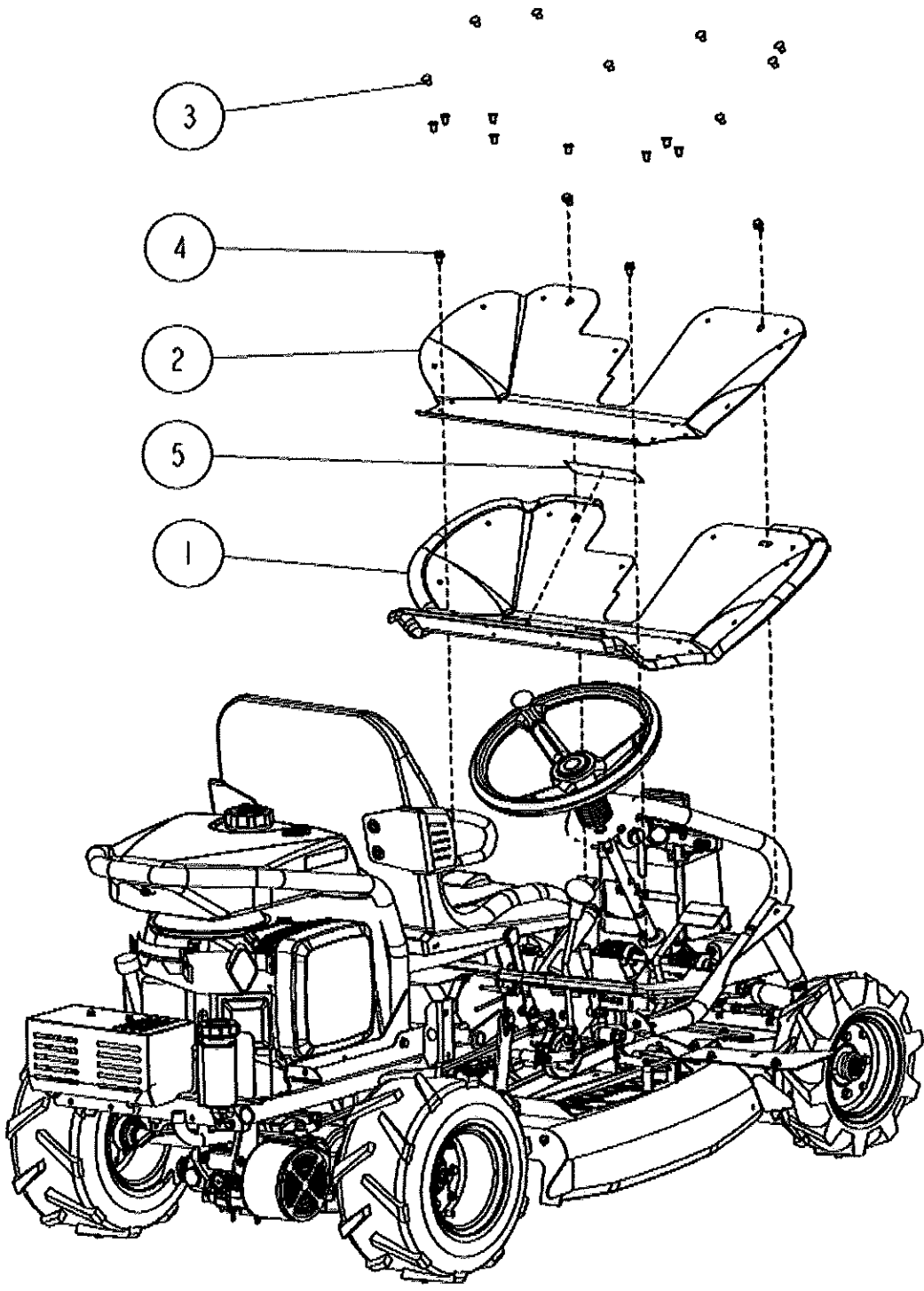
## PLO1850

Rep	Réf ETESIA	F	D	E
2	27903	AUTOCOLL. NIV.HUILE	AUFKLEBER	OIL LABEL
3	34216	CACHE DROIT	RECHTE VERKLEIDUNG	RIGHT COVER
4	34217	CACHE GAUCHE	LINKE VERKLEIDUNG	LEFT COVER
5	34650	AUTOCOLL.REFLECHISS	REFLEX AUFKLEBER	REFLEC. STICKER
6	34714			
7	34727			
8	34728			
9	34737			
10	34701			
11	13335	ETIQ.ATTILA 88_2	AUFKLEB.ATTILA 88_2	STICKER ATTILA 88_2
12	13336	ETIQUETTE HDC	SCHNITTH"HE AUFKLEB	CUT.HEIGHT STICKER
13	27893	VIS HM6X20 + RDLE	SCHR.HM6X20+SCHIEBE	SCREW HM6X20+WASHER
14	34306	VIS M8X16	SCHRAUBE M8X16	SCREW M8X16
15	34308	VIS M8X16	SCHRAUBE M8X16	SCREW M8X16
16	27505	VIS HM8X50 + GROWER	SCHR.M8X50.FEDERSCH	BOLT+WASHER M8X50
17	34314	ECROU A EMBASE 6	MUTTER 6	NUT 6
18	27501	ECROU M8 + GROWER	MUTTER M8+FEDERSCH.	NUT FLANGE M8
19	34322	RONDELLE 6	SCHIEBE 6	WASHER 6



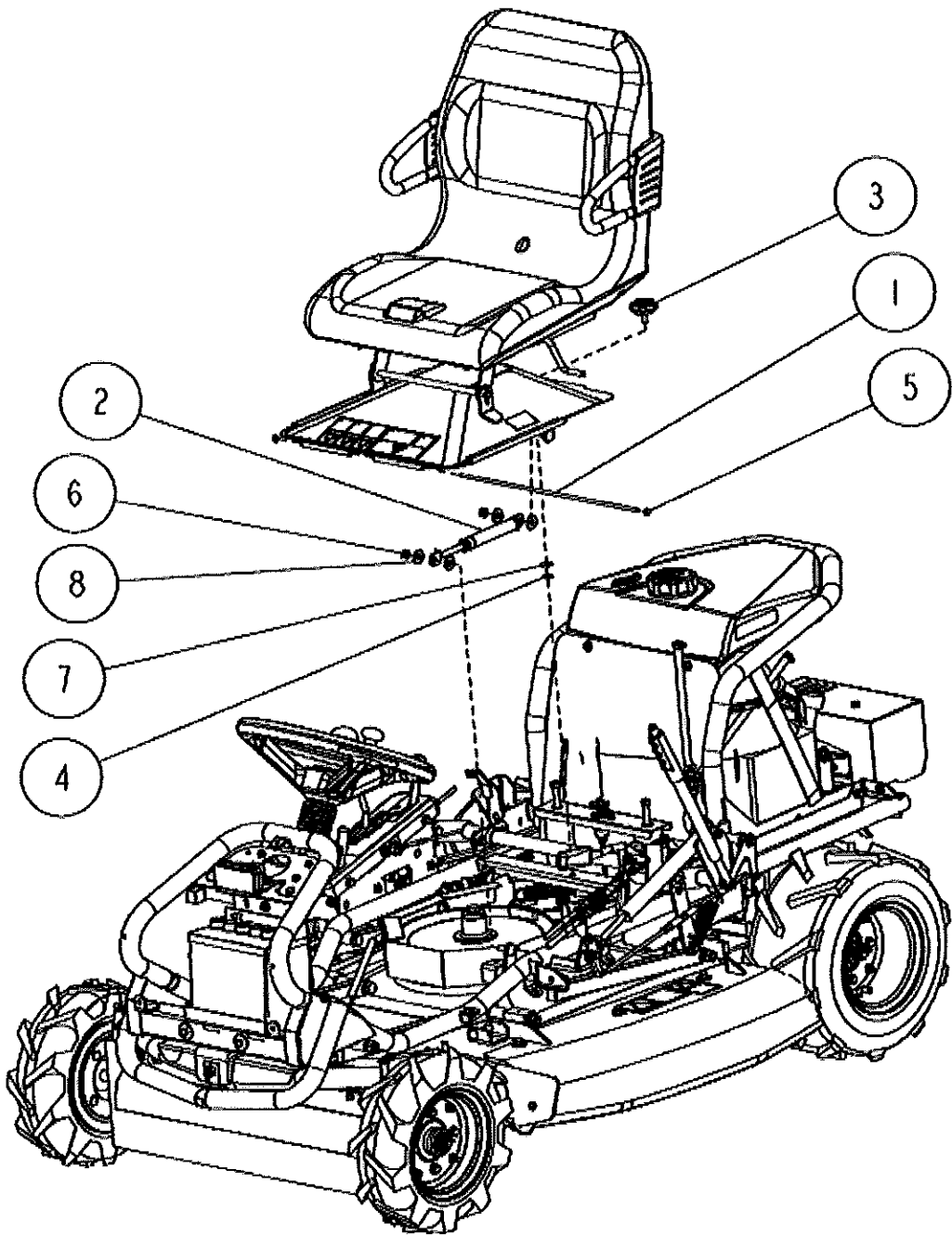
## PLO1851

Rep	Réf ETESIA	F	D	E
1	12048	AUTOCOLLANT 26*4	AUFKLEBER	STICKER 26*4
2	34170	VERROU FREIN PARK.	BREMSVERRIEGELUNG	BRACK LOCK
3	27344	RESSORT DE RAPPEL	RÜCKHOLFEDER	RETURN SPRING
4	27694	POIGNEE M8X20	HANDGRIFF M8X20	LONG KNOB BOLT 8X20
5	34709			
6	34726			
7	34734			
8	13334	ETIQ.LOGO AV88_2	AUFKLEBER AV88_2	STICKER AV88_2
9	34306	VIS M8X16	SCHRAUBE M8X16	SCREW M8X16
10	21687	VIS H M 8X55 DIN933	SECHSKANTSCHRAUBE H	HEXAGON SCREW,DIN 9
11	71158	ECROU HH M10,8	SECHSKANTSCHR. M10	HEXAGONAL NUT HM10
12	2020	ECROU H.M8 DIN934	MUTTER HM8 DIN 934-	NUT HM8
13	34327	RONDELLE 10	SCHEIBE 10	WASHER 10



## PLO1852

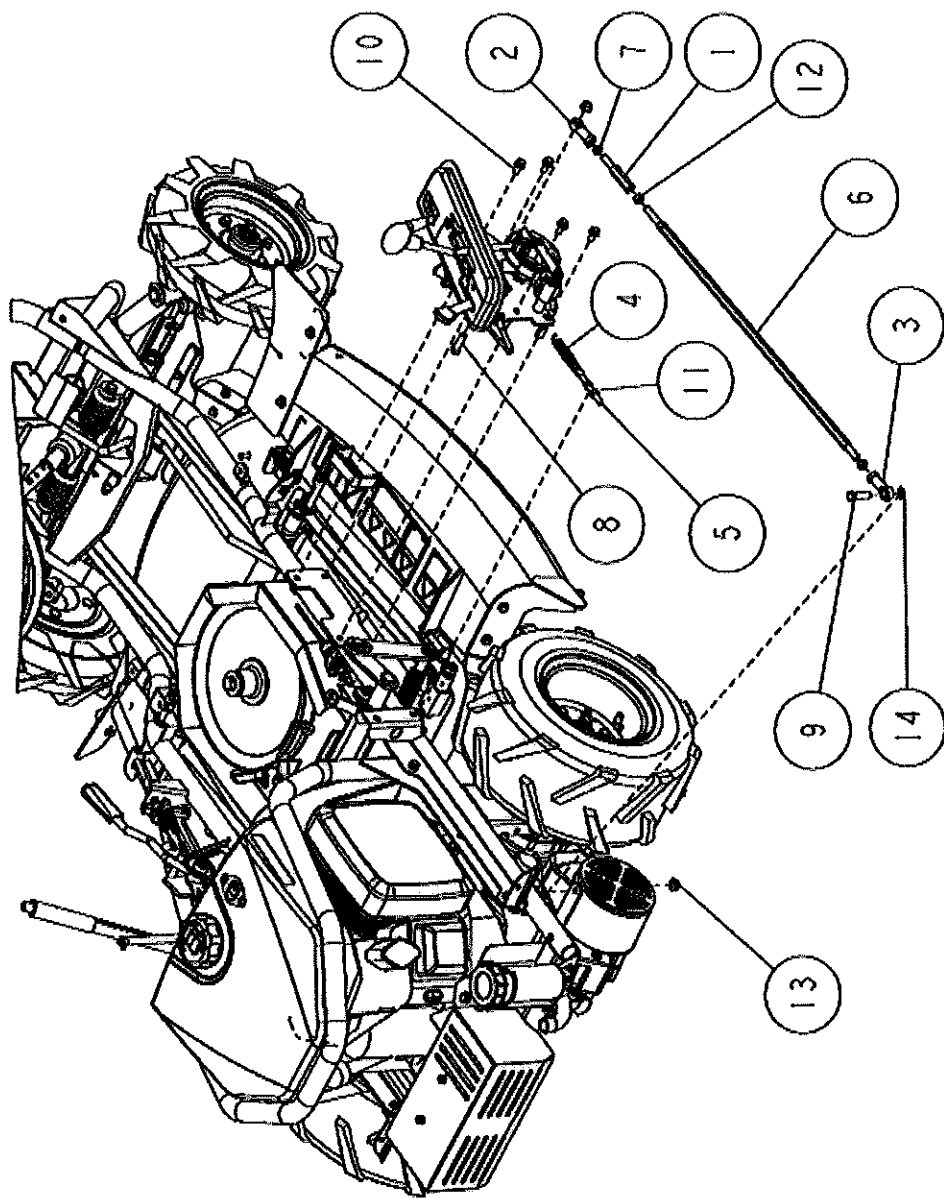
Rep	Réf ETESIA	F	D	E
1	34713			
2	34733			
3	27319	RIVET PLASTIQUE	PLASTIKNIETE	GRIP
4	34308	VIS M8X16	SCHRAUBE M8X16	SCREW M8X16
5	13364	ETIQ.ATTILA 95_2	AUFKLEB.ATTILA 95_2	STICKER ATTILA 95_2





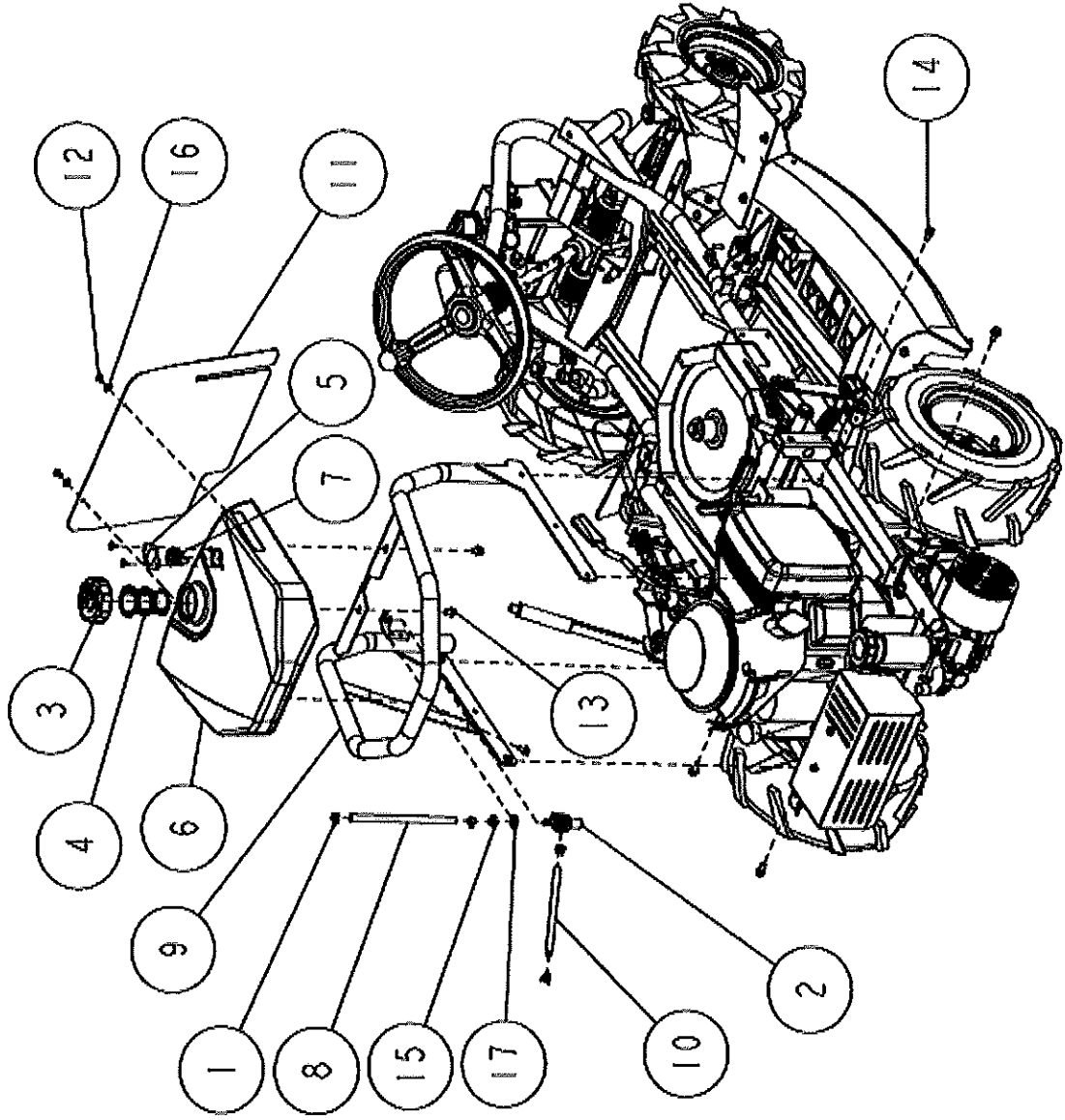
## PL01853

Rep	Réf ETESIA	F	D	E
1	27717	AXE DE SIEGE	SITZBOLZEN	SEAT BRACKET SHAFT
2	27695	RESS.GAZ KMF 50-40	GASFEDER KMF 50-40	GAS SPRING KMF50-40
3	27720	VIS POIGNEE M8X20	DREHKNOPF M8X20	KNOB BOLT M8X20
4	27721	RDLE CAOUTCHOUC	GUMMIUNTERLEGSCHIEB	BONDED WASHER
5	5232	ECR.AUTOFR.HM6 DIN	STOPMUTTER HM 6 DIN	SELF-LOCKING NUT
6	9017	ECR.AUTOFR.HM10 DIN	MUTTER HM10 DI	NUT HM10
7	7035	RDLE PL.B 8,4DIN90	BEILAGSCHEIBE B8,4	FLAT WASHER
8	34323	RONDELLE 10	SCHEIBE 10	WASHER 10



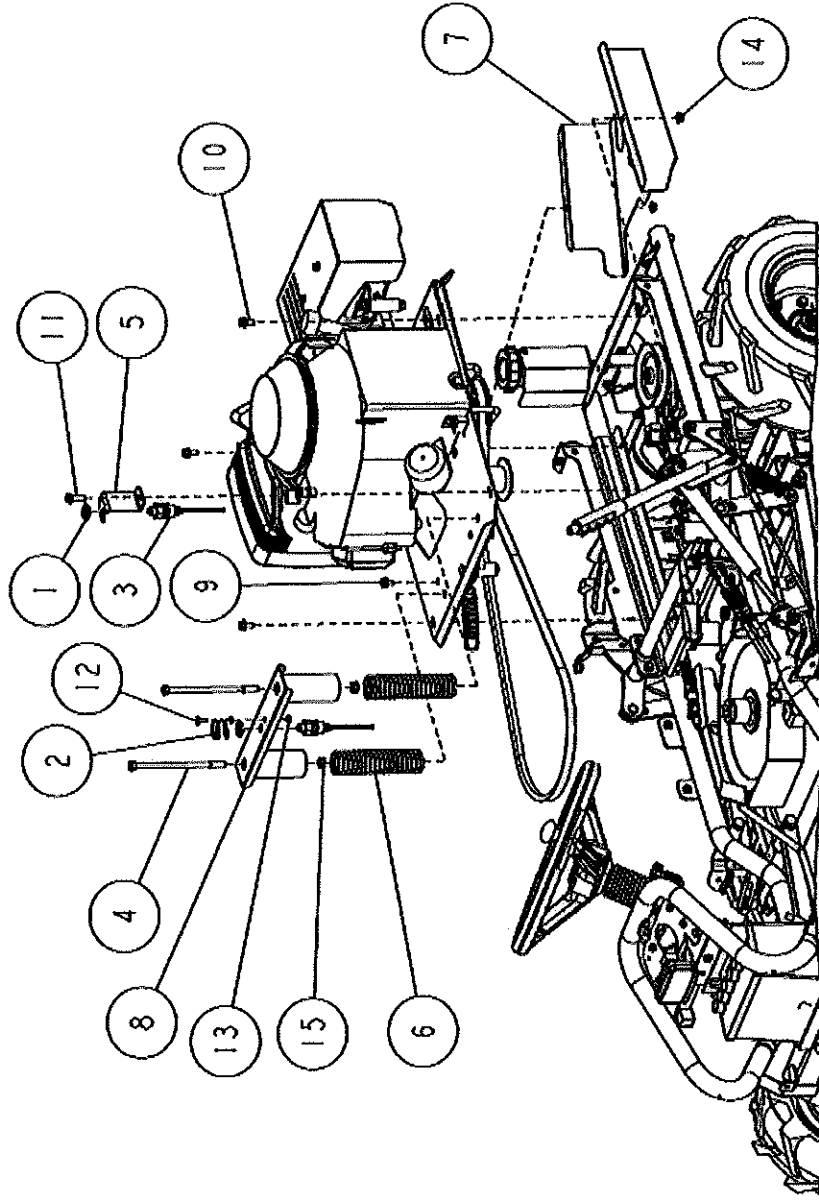
## PLO1854

Rep	Réf ETESIA	F	D	E
1	27329	TRINGLE DE REGLAGE	EINSTELLGESTANGE	TURN BACKLE
2	27206	ROTULE HS10 L	KUGELGELENK HS 10 L	ROD END HS 10 L
3	27551	ROTULE PHS 10 EC	KUGELGELENK PHS10EC	ROD END PHS10EC
4	27307	RESSORT BLOC.DIFF.	DIFFER.SPERRE FEDER	DIFFER.LOCK SPRING
5	27756	TRINGLE	GESTÄNGE	CHANGE BRAKE ADJUST
6	27958	TRINGLE	GESTÄNGE	SHIFT ROD
7	34294	ECROU M10 PAS GAUCH	MUTTER M10 LINKS G.	NUT M10 LEFT
8	34307	VIS M10X30	SCHRAUBE M10X30	SCREW M10X30
9	71242	VIS HM 10-35 DROITE	SECHSKANTSCHRAUBE	HEX.SCREW HM10X35
10	34309	VIS EMBASE M8X20	SCHRAUBE M8X20	SCREW M8X20
11	2020	ECROU H.M8 DIN934	MUTTER HM8 DIN 934-	NUT HM8
12	27231	CONTRE ECR.M10X150	KONT.MUTTER M10X150	COUNTER NUT M10X150
13	9017	ECR.AUTOFR.HM10 DIN	MUTTER HM10 DI	NUT HM10
14	27322	RONDELLE 10	SCHEIBE 10	WASHER 10



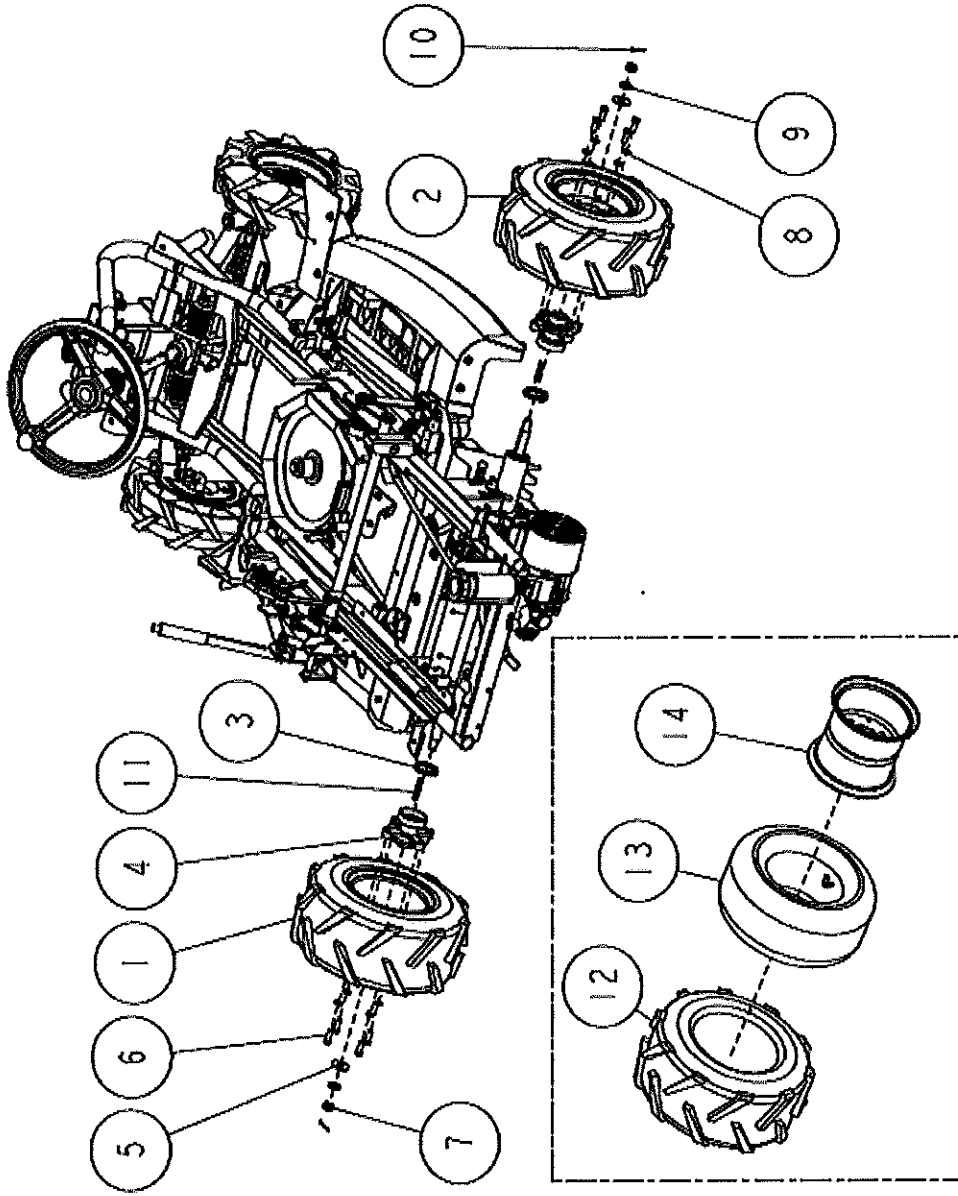
## PL01855

Rep	Réf ETESIA	F	D	E
1	34288	COLLIER 17	SCHELLE 17	COLLAR 17
2	27527	ROBINET D'ESSENCE	BENZINHAHN	FUEL COCK
3	34257	BOUCHON RESERV.ESS.	KRAFTST.TANKSTOPFEN	FUEL TANK PLUG
4	34260	CREPINE	GITTER	FILTER
5	34725			
6	34729			
7	34730			
8	34731			
9	34743			
10	34745			
11	34746			
12	34303	VIS M6X10	SCHRAUBE M6X10	SCREW M6X10
13	34308	VIS M8X16	SCHRAUBE M8X16	SCREW M8X16
14	34309	VIS EMBASE M8X20	SCHRAUBE M8X20	SCREW M8X20
15	27242	ECROU BAS M12X125	KONTERMUT. M12X125	COUNTER NUT M12X125
16	34322	RONDELLE 6	SCHEIBE 6	WASHER 6
17	34325	RONDELLE 12	SCHEIBE 12	WASHER 12



## PL01856

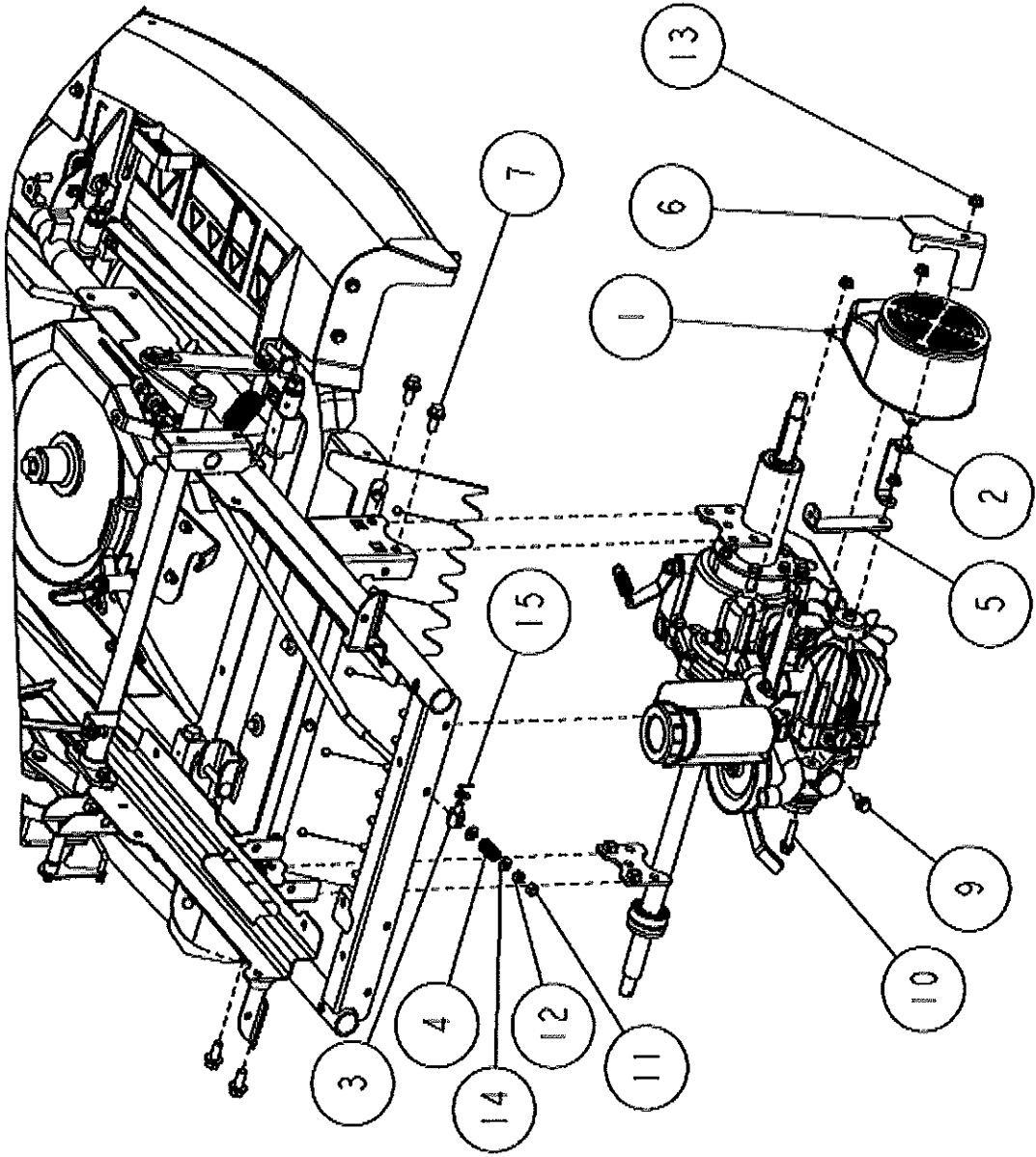
Rep	Réf ETESIA	F	D	E
1	27856	ECROU	MUTTER	SWITCH LOCK NUT
2	27918	RESSORT CONTACT	SITZ SCHALTER FEDER	SEAT SWITCH SPRING
3	27855	CONTACTEUR SECURITE	SICHERHEITSSCHALTER	SAFETY SWITCH
4	27180	VIS SIEGE AK85	SITZ SCHRAUBE AK85	SEAT SCREW AK85
5	34708			
6	34712			
7	34741			
8	34744			
9	34308	VIS M8X16	SCHRAUBE M8X16	SCREW M8X16
10	34309	VIS EMBASE M8X20	SCHRAUBE M8X20	SCREW M8X20
11	27503	VIS HM8X30 + GROWER	SCHR.M8X30+FEDERSCH	BOLT+WASHER M8X30
12	34312	VIS M6X16	SCHRAUBE M6X16	SCREW M6X16
13	5232	ECR.AUTOFR.HM6 DIN	STOPMUTTER HM 6 DIN	SELF-LOCKING NUT
14	27501	ECROU M8 + GROWER	MUTTER M8+FEDERSCH.	NUT FLANGE M8
15	34317	ECROU A EMBASE 10	MUTTER 10	NUT 10





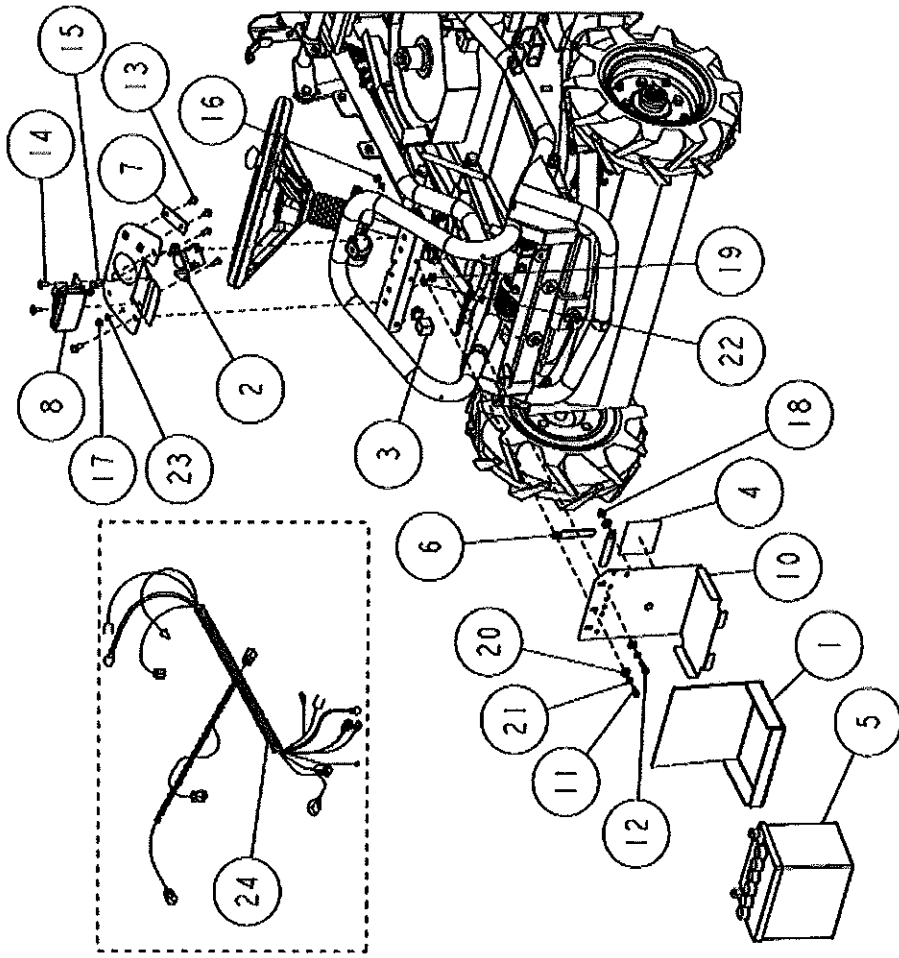
## PLO1857

Rep	Réf ETESIA	F	D	E
1	27239	ROUE ARRIERE GAUCHE	LINKES HINTERRAD	LEFT REAR WHEEL
2	27244	ROUE ARRIERE DROITE	RECHTES HINTERRAD	RIGHT REAR WHEEL
3	27712	JOINT DE FLASQUE	FLANSCHDICHTUNG	WHEEL BOS DUST SEAL
4	27512	FLASQUE DE ROUE AR	HINTERRADFLANSCH	REAR WHEEL BOSS
5	27437	RDLE 16 X 40 4,5	SCHEIBE 16X40X4,5	WASHER 16X40X4,5
6	70086	VIS H M10X25 DIN933	SECHSKANTSCHRAUBE H	HEXAGON SCREW,DIN 9
7	27435	ECROU CRENEAUX M16	MUTTER M16	NUT M16
8	2244	RDLE GROWER A10	FEDERSCHEIBE A10	WASHER A10
9	27436	RDLE GROWER 16	FEDERSCHEIBE 16	SPRING WASHER
10	34332	GOUPILLE 3.5X35	STIFT 3.5X35	PIN 3.5X35
11	27556	CLAVETTE 7X50	KEIL 7X50	KEY 7X50
12	27375	PNEU ARRIERE	HINTERREIFEN	REAR TYRE
13	28353	CHAMBRE A AIR ARR.	LUFTSCHLAUCH HINTEN	INNER TUBE REAR
14	27394	JANTE ARRIERE	HINTERRADFELGE	REAR WHEEL



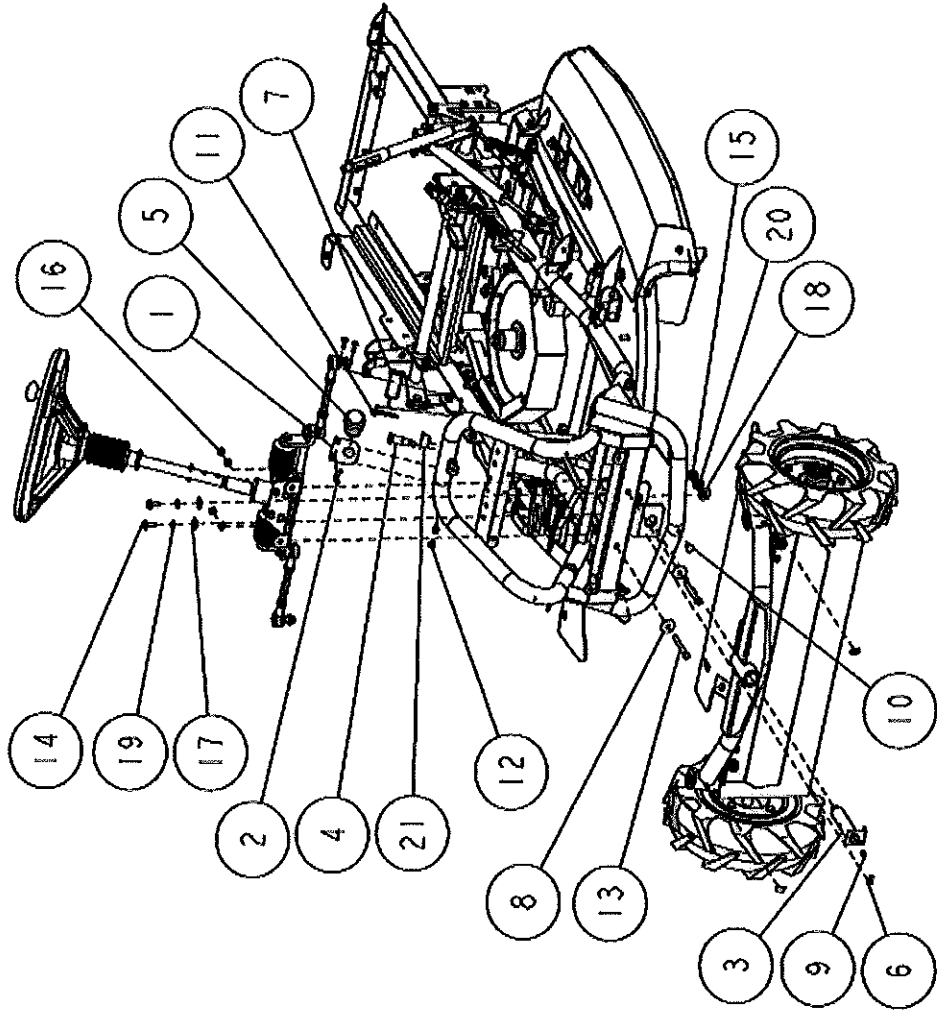
## PL01858

Rep	Réf ETESIA	F	D	E
1	27844	CANAL VENTILATION	LUFTKANAL	FAN COVER
2	27843	PATTE DE FIXATION	BEFESTIGUNGSBÖGEL	FAN COVER SETTING
3	27820	PIVOT	GELENK	BRAKE JOINT
4	27682	RESSORT DE FREIN	BREMSFEDER	BRAKE SPRING
5	34691	SUPPORT ARR.DROIT	HINT.RECHTE HALTERG	REAR RIGHT BRACKET
6	34695	SUPPORT ARR.DROIT	HINT.RECHTE HALTERG	REAR RIGHT BRACKET
7	34269	VIS M10X25	SCHRAUBE M10X25	SCREW M10X25
9	34309	VIS EMBASE M8X20	SCHRAUBE M8X20	SCREW M8X20
10	71242	VIS HM 10-35 DROITE	SECHSKANTSCHRAUBE	HEX.SCREW HM10X35
11	2021	ECR.AUTOFR.HM8 DIN	STOPMUTTER HM 8 DIN	NUT HM8
12	2020	ECROU H.M8 DIN934	MUTTER HM8 DIN 934-	NUT HM8
13	27501	ECROU M8 + GROWER	MUTTER M8+FEDERSCH.	NUT FLANGE M8
14	34319	RONDELLE 8	SCHEIBE 8	WASHER 8
15	27337	Goup. fendue 2X15	SPLINTE V 2X15	SPLINT PIN 2X15



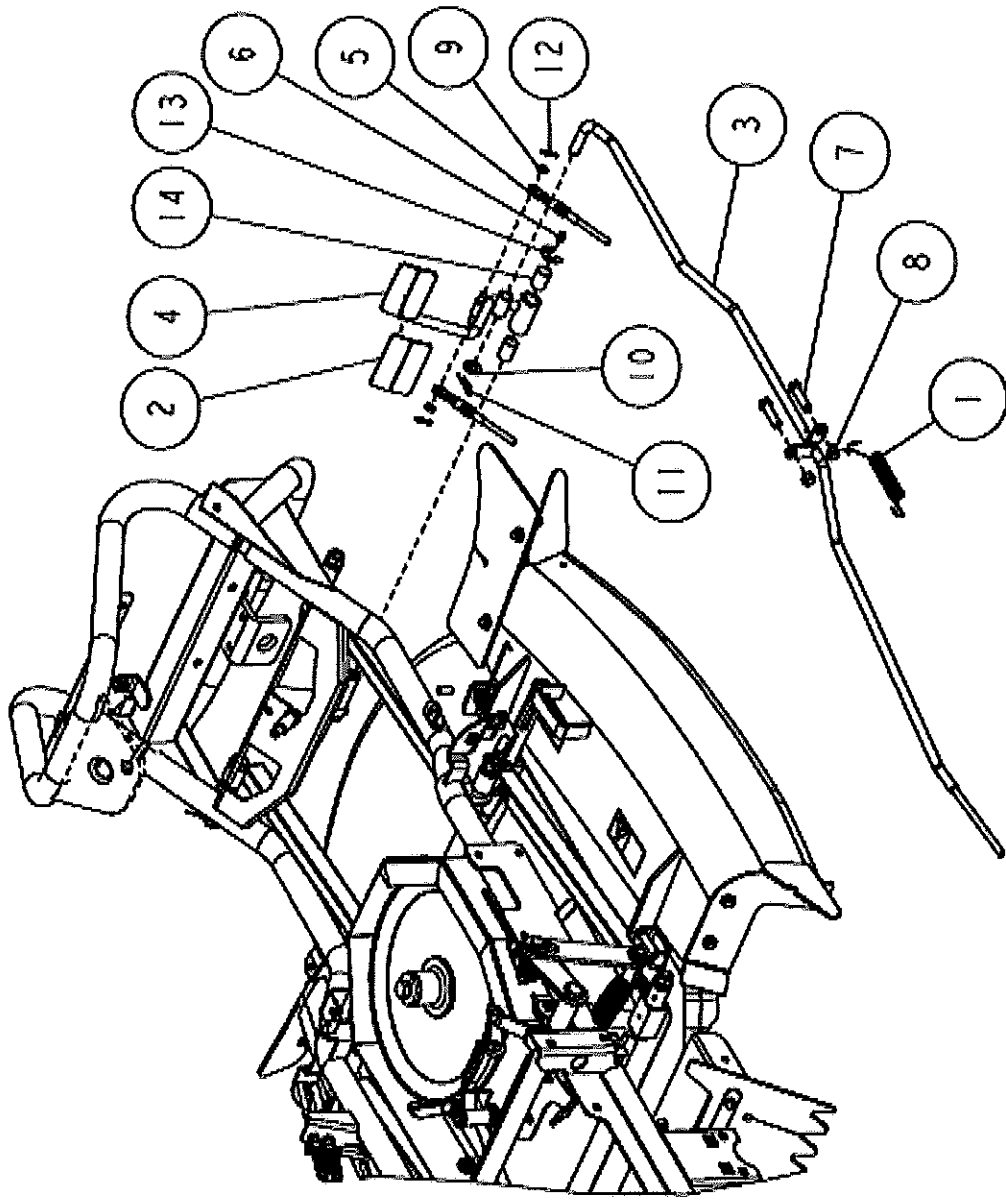
## PL01859

Rep	Réf ETESIA	F	D	E
1	27517	ELEMENT ISOLANT	GUMMI-VERKLEIDUNG	CUSHION RUBBER
2	27241	RELAIS DEMARREUR	STARTER RELAIS	MAGNETIC SWITCH
3	27852	INTERRUP.ECLAIRAGE	LICHTSCHALTER	LIGHTING SWITCH
4	13113	AUTOCOLLANT	AUFKLEBER	STICKER
5	25800	BATTERIE 30 AH 12 V	BATTERIE 12V 30AH	12V 30 Ah BATTERY
6	27314	COLLIER	LASCHE	HARNES CLIP
7	27992	SUPPORT PORTE-FUSIB	SICHERUNGSTRÄGER	FUSE BRACKET
8	34240	FEU AVANT AV98	VORDERLAMPE AV98	FRONT LIGHT AV98
10	34710			
11	5334	VIS H M 6X16 DIN933	SCHRAUBE HM6X16	SCREW HM6X16
12	20693	VIS H M 6X25 DIN933	SECHSKANTSCH.HM6X25	HEX.SCREW HM6X25
13	27896	VIS+RDLE HM6X12	SCHR.+SCHEIB.HM6X12	SCREW+WASHER HM6X12
14	34302	VIS M6X15	SCHRAUBE M6X15	SCREW M6X15
15	6169	VIS HM 8X16 DIN 93	SECHSKANTSCH.HM8X16	SCREW HM8X16
16	34314	ECROU A EMBASE 6	MUTTER 6	NUT 6
17	5232	ECR.AUTOFR.HM6 DIN	STOPMUTTER HM 6 DIN	SELF-LOCKING NUT
18	27572	ECROU M6	MUTTER M6	NUT M6
19	2021	ECR.AUTOFR.HM8 DIN	STOPMUTTER HM 8 DIN	NUT HM8
20	34322	RONDELLE 6	SCHEIBE 6	WASHER 6
21	71049	RDLE GROWER A6	FEDERRING A6 DIN 12	SPRING WASHER,DIN 1
22	15848	RDLE GROWER	FEDERRING	SPRING WASHER
23	34328	RONDELLE DENTEE 6	GEZÄHNTE SCHEIBE 6	TOOTHED WASHER 6
24	34747			



## PL01860

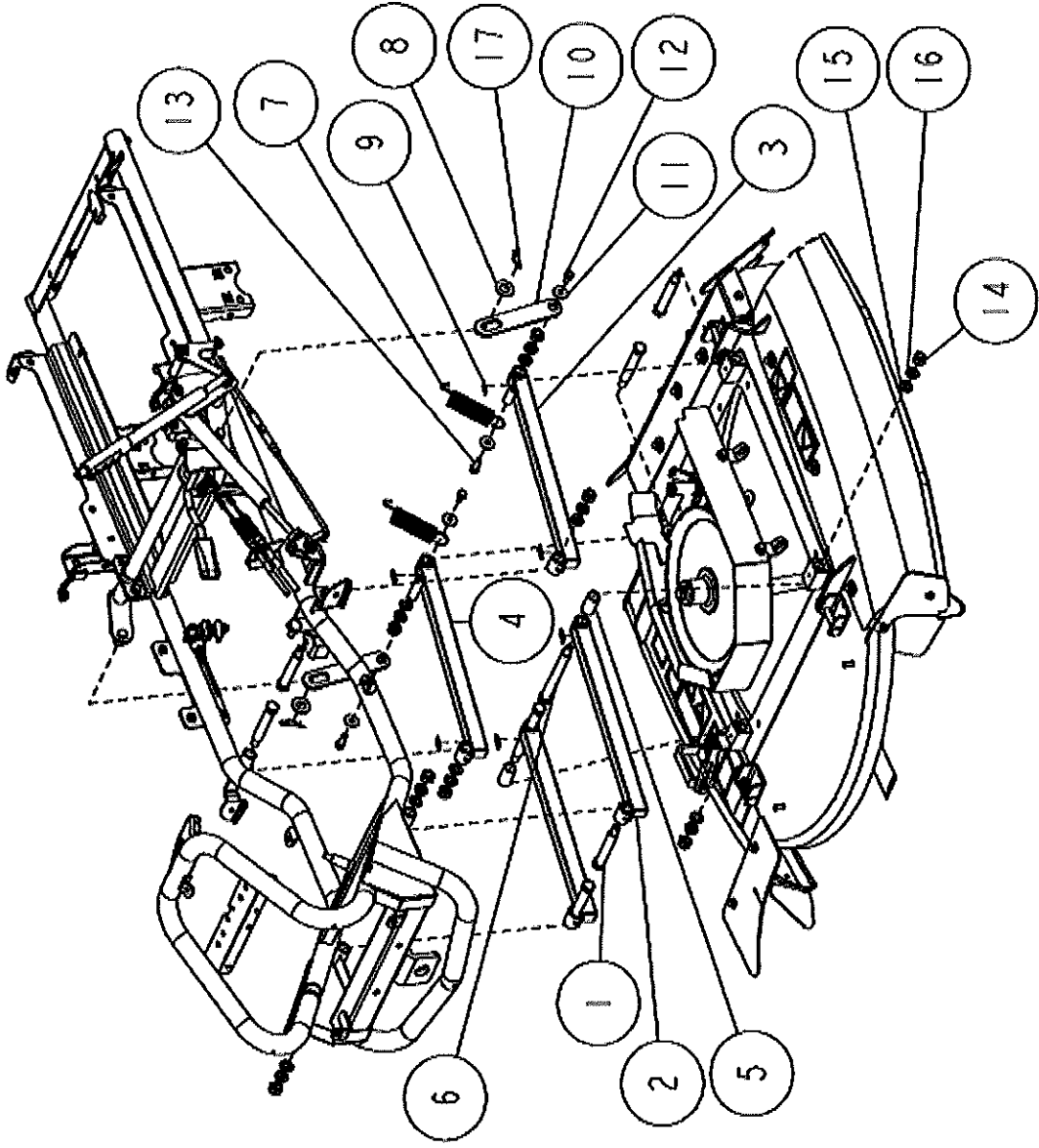
Rep	Réf ETESIA	F	D	E
1	27522	SUPPORT CONTACTEUR	CONT. HALTERUNG	SWITCH BRACKET
2	13121	ETIQ. CLEF CONTACT	ZSNDSCHLOSS AUFKLEB	LABEL KEY
3	27661	AXE DE CENTRAGE	ZENTRIERBOLZEN	CENTER PIN
4	27991	VOYANT	ANZEIGE	INDICATOR
5	34103	CONTACT.CLE+2 CLES	ZSNDSCHLOSS+2 SCHL.	KEY SWITCH+2 KEYS
6	27937	AUTOCOL. GRAIS.ROUE	SCHMIERPUNKT AUFKL.	LABEL GREASE
7	34245	COMPTEUR HORAIRE	STUNDENZZHLER	HOOR COUNTER
8	27414	RDLE 8 X 30 X 3,2	SCHEIBE 8X30X3,2	WASHER 8X30X3,2
9	27246	GRAISSEUR	SCHMIERNIPPLE	GREASE NIPPEL
10	27319	RIVET PLASTIQUE	PLASTIKNIETE	GRIP
11	27609	SUPP. COMPTEUR	STUNDENZZHLERHALTER	HOOR METER BRACKET
12	34304	VIS M6X16	SCHRAUBE M6X16	SCREW M6X16
13	71067	VIS HM8-75 DIN 933	SECHSKANTSCH.HM8X75	HEXAG.SCREW HM8X75
14	71413	VIS HM 8-20	SCHRAUBE HM 8-20	SCREW HM 8-20
15	71157	ECROU AUTOFR.HM12	MUTTER	NUT AUTOFR.HM12
16	2021	ECR.AUTOFR.HM8 DIN	STOPMUTTER HM 8 DIN	NUT HM8
17	7035	RDLE PL.B 8,4DIN90	BEILAGSCHEIBE B8,4	FLAT WASHER
18	34325	RONDELLE 12	SCHEIBE 12	WASHER 12
19	15848	RDLE GROWER	FEDERRING	SPRING WASHER
20	27353	RDLE GROWER 12	FEDERSCHEIBE A12	SPRING WASHER A12
21	27293	BAGUE 22X15X33 F	BŠCHSE 22X15X33F	BUSH 22X15X33F





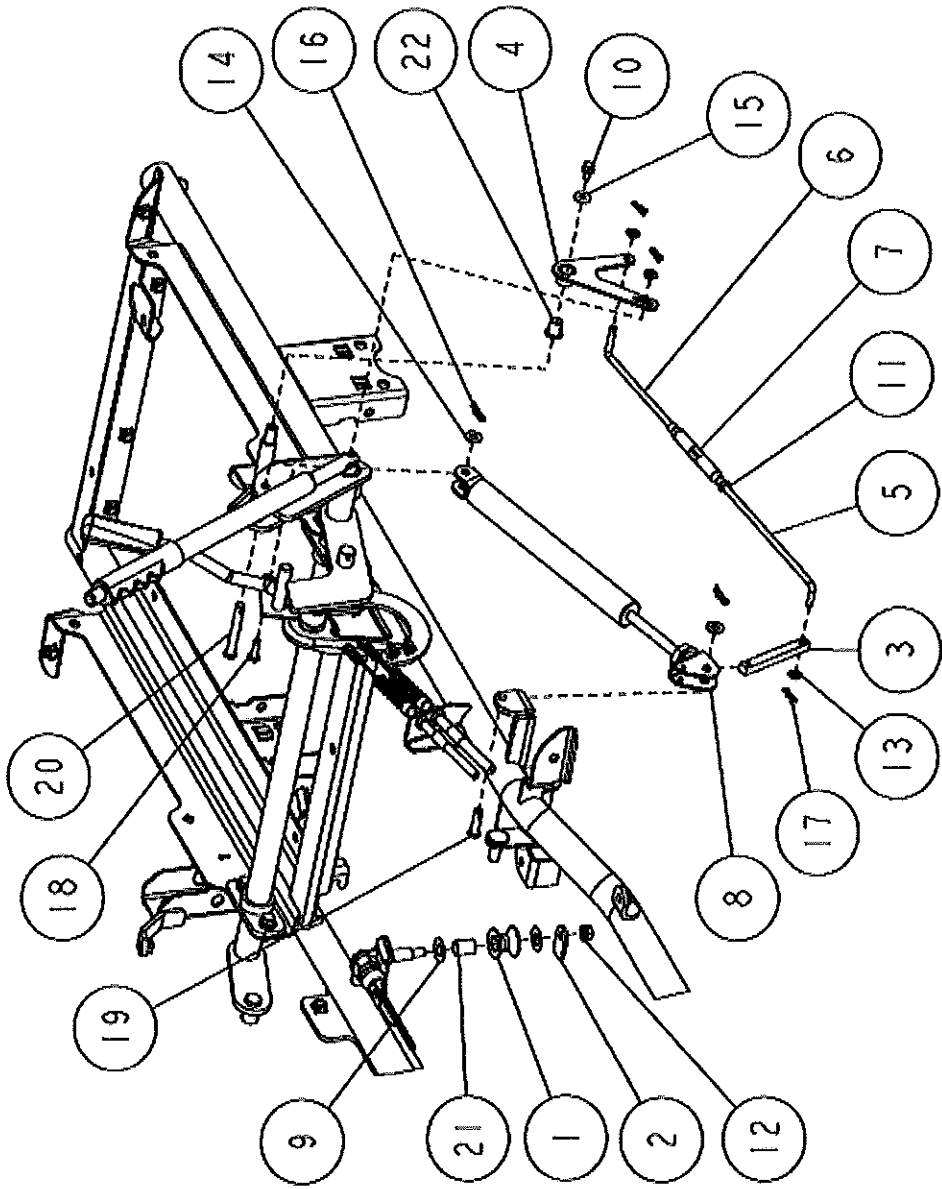
## PL01861

Rep	Réf ETESIA	F	D	E
1	27936	RESSORT	FEDER	SPRING
2	27224	CACHE PEDALE	PEDALVERKLEIDUNG	PEDAL RUBBER
3	27931	TRINGLE DE FREIN	BREMSESTÄNGE	BRAKE ROD
4	34696	SUPPORT ARR.DROIT	HINT.RECHTE HALTERG	REAR RIGHT BRACKET
5	34644	CABLE FREIN AVANT	VORDERER BREMSKABEL	FRONT BRAKE CABLE
6	27246	GRAISSEUR	SCHMIERNIPPLE	GREASE NIPPEL
7	71242	VIS HM 10-35 DROITE	SECHSKANTSCHRAUBE	HEX.SCREW HM10X35
8	9017	ECR.AUTOFR.HM10 DIN	MUTTER HM10 DI	NUT HM10
9	34318	RONDELLE 6	SCHEIBE 6	WASHER 6
10	34320	RONDELLE 12	SCHEIBE 12	WASHER 12
11	27566	GOUPILLE BETA 12	STIFT 12	SNAP RING 12
12	27751	GOUPILLE BETA 6	BETA SPLINT 6	SNAP PIN 6
13	1513	ANN.E.RE DIA.15	SEEGERING 15	CIRCLIP 15
14	27612	BAGUE 16-25	DU BÜCHSE 16-25	DU BUSH 16-25



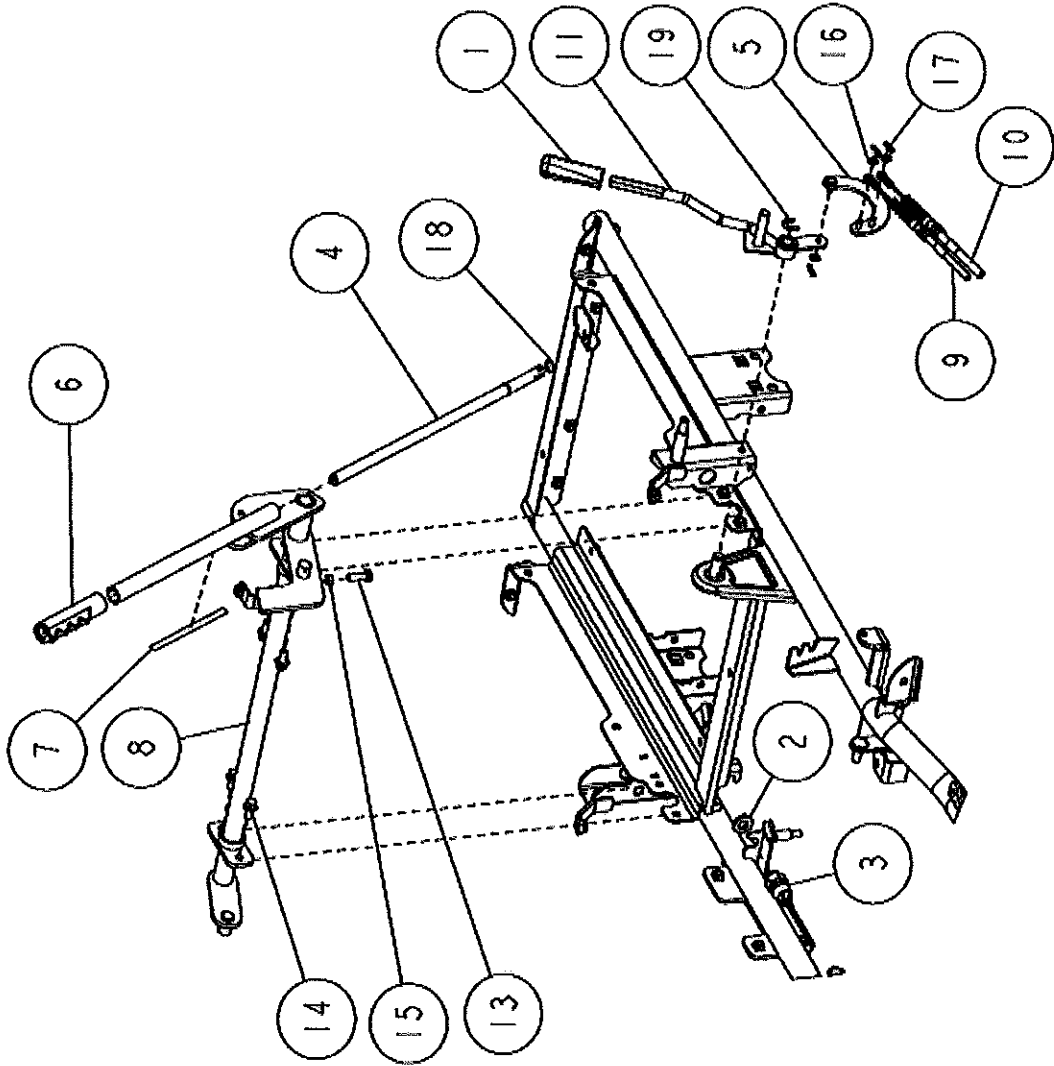
## PL01862

Rep	Réf ETESIA	F	D	E
1	27938	AXE	BOLZEN	SHAFT
2	27404	ARTICULATION AVANT	GELENK (VORNE)	LINK FRONT
3	27405	ARTICULATION ARR.G.	GELENK(HINTEN RECH)	LINK LEFT REAR
4	27403	ARTICULATION ARR.D.	GELENK (HINTEN REC)	LINK RIGHT REAR
5	27869	ENTRETOISE	GLENKBŠCHSE	LINK COLLAR
6	34689	SUPPORT ARR.DROIT	HINT.RECHTE HALTERG	REAR RIGHT BRACKET
7	27875	RESSORT	FEDER	SPRING
8	27749	RONDELLE 16X32X2,3	SCHEIBE 16X32X3,2	WASHER 16X32X3,2
9	27939	AUTOCOL GRAIS. HDC	SCHMIERPUNKT AUFKL.	LABEL OILING
10	34705			
11	27940	RONDELLE 8X25X2,3	SCHEIBE 8X25X2,3	WASHER 8X25X2,3
12	6169	VIS HM 8X16 DIN 93	SECHSKANTSCH.HM8X16	SCREW HM8X16
13	9056	VIS H M 8X25 DIN933	SCHRAUBE 8X25	BOLT 8X25
14	1541	ECROU H.M12 DIN934	MUTTER HM12 DIN 934	HEXAGON NUT,DIN 934
15	34320	RONDELLE 12	SCHEIBE 12	WASHER 12
16	27353	RDLE GROWER 12	FEDERSCHEIBE A12	SPRING WASHER A12
17	34334	GOUPILLE	STIFT	PIN



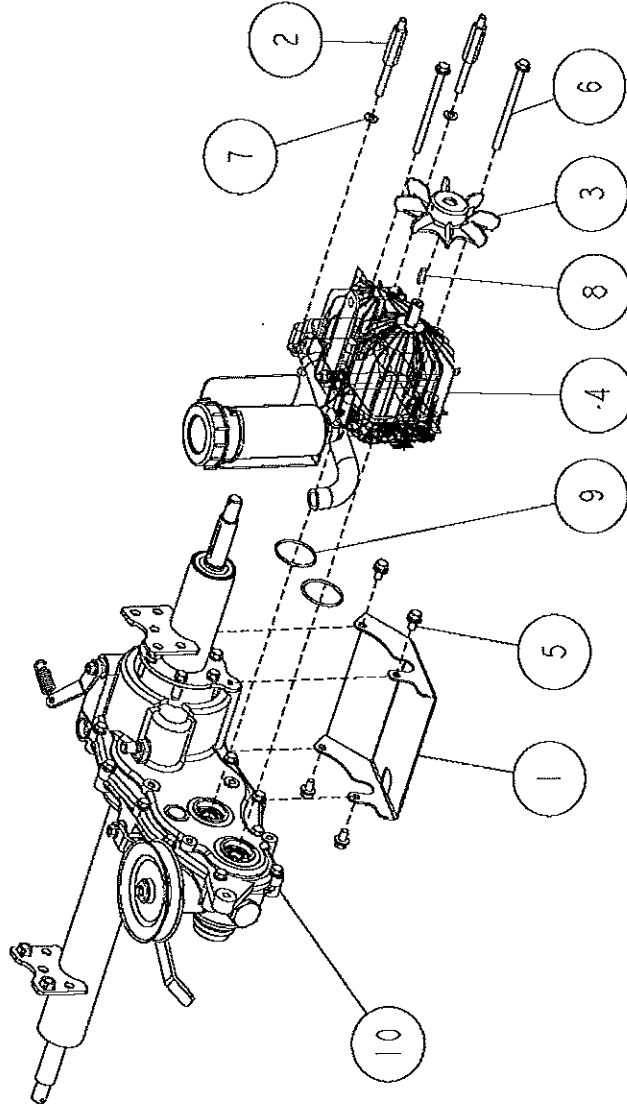
## PL01863

Rep	Réf ETESIA	F	D	E
1	34289	POULIE	SCHEIBE	PULLEY
2	27350	PLATINE	PLŽTTCHEN	PLATE
3	34124	LEVIER	HEBEL	LEVER
4	34126	LEVIER	HEBEL	LEVER
5	34127	TIGE GAUCHE	LINKE STANGE	LEFT ROD
6	34128	TIGE DROITE	RECHTE STANGE	RIGHT ROD
7	34129	TRINGLE REGLAGE	EINSTELL STANGE	ADJUST ROD
8	34583	VERIN A GAZ	GAS ZYLINDER	GAS JACK
9	27390	RDLE 12 X 24 X1,0	SCHEIBE 12X24X1,0	WASHER 12X24X1
10	37997	VIS HM6-16 8.8 EMB	SCHRAUBE HM6-16 8.8	SCREW HM6-16 8.8
11	1557	ECROU H.M6 DIN934	MUTTER HM 6 DIN 934	NUT HM6
12	34315	ECROU A EMBASE 8	MUTTER 8	NUT 8
13	34318	RONDELLE 6	SCHEIBE 6	WASHER 6
14	34319	RONDELLE 8	SCHEIBE 8	WASHER 8
15	34322	RONDELLE 6	SCHEIBE 6	WASHER 6
16	27324	GOUILLE BETA 8	BETA SPLINTE 8	SNAP PIN 8
17	27751	GOUILLE BETA 6	BETA SPLINT 6	SNAP PIN 6
18	34355	FLEXIBLE 1320MM	SCHLAUCH 1320MM	HOSE 1320MM
19	34336	AXE 8X28	ACHSE 8X28	AXLE 8X28
20	27299	AXE EPAULEE 8X60	BOLZEN 8X60	FLAT HEADED PIN 8X6
21	27520	BAGUE	BŠCHSE DU MB 122ODV	BUSH MB 122 ODV
22	27349	BAGUE DU 10X15X18F	DU BŠCHSE 10.15.18F	DU BUSH 10.15.18F



## PL01864

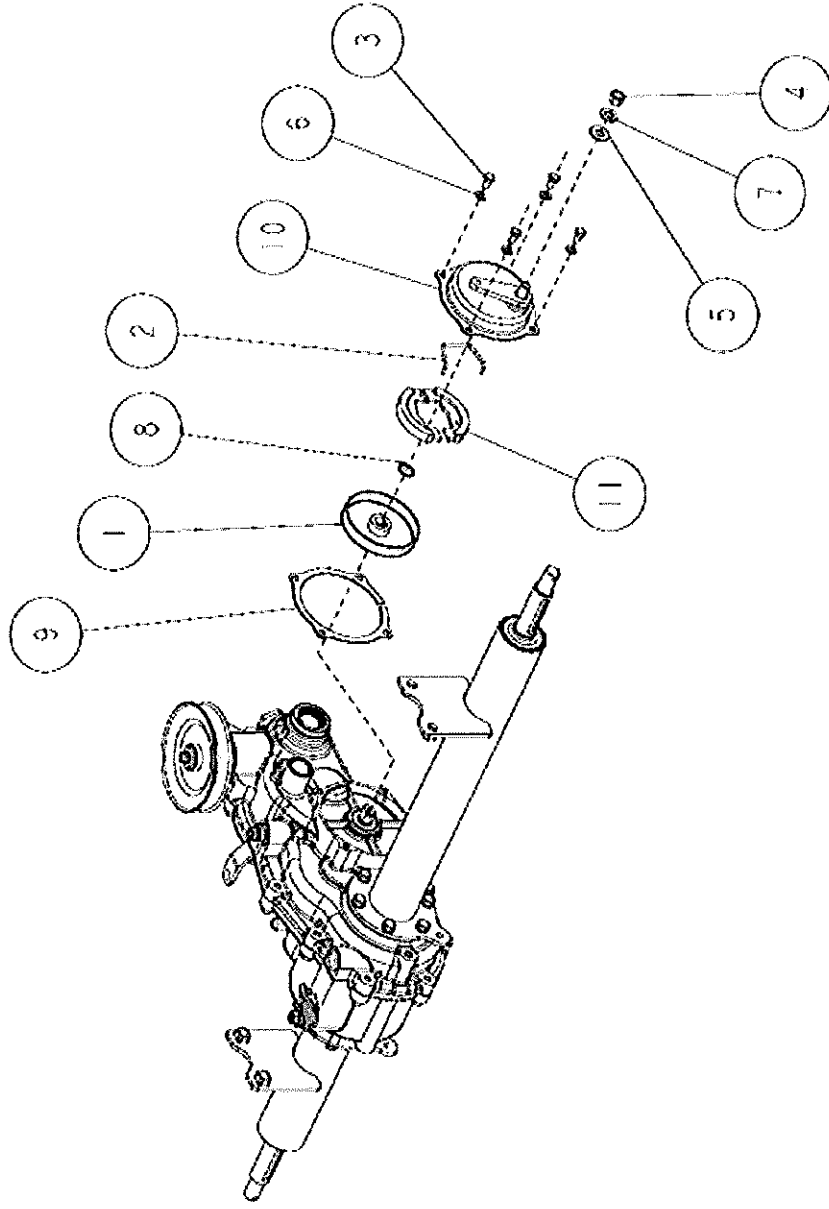
Rep	Réf ETESIA	F	D	E
1	27281	POIGNEE DE LEVIER	HEBELGRIFF	ARM GRIP
2	27856	ECROU	MUTTER	SWITCH LOCK NUT
3	27855	CONTACTEUR SECURITE	SICHERHEITSSCHALTER	SAFETY SWITCH
4	34125	TIGE HDC	SCHNITTH <sup>TM</sup> HE STANGE	CUTTING HEIGHT ROD
5	34141	PLATINE CABLES	KABELSPLATTE	CABLE PLATE
6	34219	POIGNEE HDC	GRIFF	GRIP
7	34282	AUTOCOLLANT HDC	AUFKLEB.SCHNITH <sup>TM</sup> HE	STICKER CUT.HEIGHT
8	34704			
9	34234	CABLE FREIN DE LAME	MESSERBREMSKABEL	KNIFE BRAKE WIRE
10	34235	CABLE EMBRAYAG.LAME	MESSERKUPLUNG.KABEL	CUTTING CLUTCH WIRE
11	34735			
13	9056	VIS H M 8X25 DIN933	SCHRAUBE 8X25	BOLT 8X25
14	34309	VIS EMBASE M8X20	SCHRAUBE M8X20	SCREW M8X20
15	2020	ECROU H.M8 DIN934	MUTTER HM8 DIN 934-	NUT HM8
16	34318	RONDELLE 6	SCHEIBE 6	WASHER 6
17	27751	GOUPILLE BETA 6	BETA SPLINT 6	SNAP PIN 6
18	34338	CIRCLIPS 13	SEEGERING 13	CIRCLIP 13
19	27313	ANNEAU TRUARC 12	SICHERUNGS RING 12	SNAP RING E TYPE 12





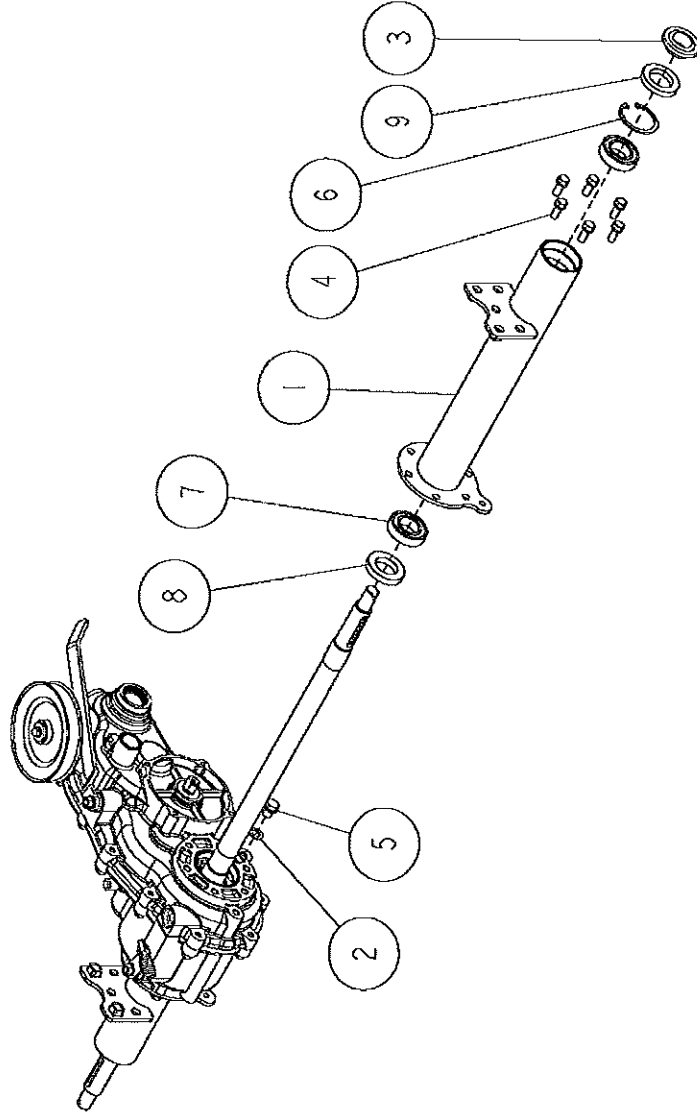
## PL01865

Rep	Réf ETESIA	F	D	E
1	27845	TOLE PROTECTION	SCHUTZBLECH	MISSION GUARD
2	27839	ENTRETOISE FILETEE	DISTANZHÖLSE	DOUBLE SPRING BOLT
3	27841	VENTILATEUR	LÜFTER	FAN
4	27790	UNITE HYDROSTATIQUE	HYDRAULISCH.EINHEIT	HST UNIT
5	6169	VIS HM 8X16 DIN 93	SECHSKANTSCH.HM8X16	SCREW HM8X16
6	27840	VIS HM8X112	SCHRAUBE M8X112	FLANGE MINI BOLT
7	15848	RDLE GROWER	FEDERRING	SPRING WASHER
8	27690	CLAVETTE 5X20	KEIL 5X20	KEY 5X20
9	27838	JOINT TORIQUE 45	O-RING 645	O-RING 645
10	34702			



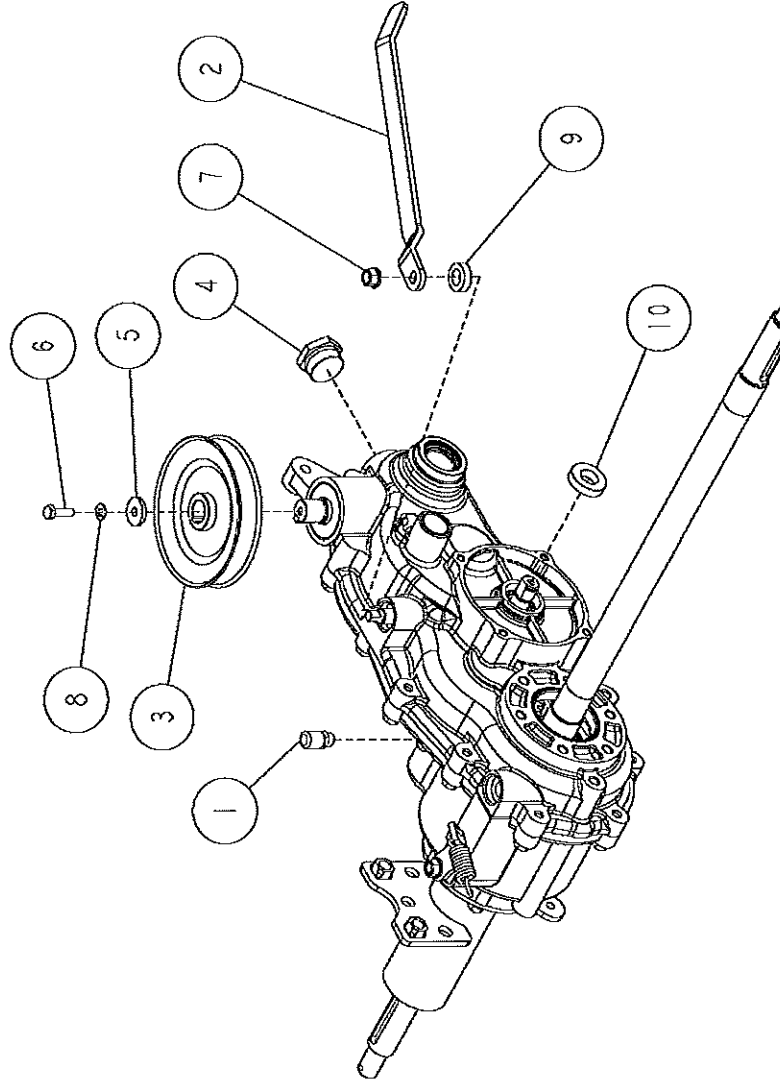
## PL01866

Rep	Réf ETESIA	F	D	E
1	27453	TAMBOUR DE FREIN	BREMSTROMMEL	BRAKE DRUM (PA-7)
2	34285	RESSORT	FEDER	SPRING
3	27457	VIS HM 6X12 (8T)	SECHSKANTSCHR M6X12	HEXA.SCREW M6X12 8T
4	9017	ECR.AUTOFR.HM10 DIN	MUTTER HM10 DI	NUT HM10
5	34327	RONDELLE 10	SCHEIBE 10	WASHER 10
6	71049	RDLE GROWER A6	FEDERRING A6 DIN 12	SPRING WASHER,DIN 1
7	2244	RDLE GROWER A10	FEDERSCHEIBE A10	WASHER A10
8	34339	CIRCLIPS 15	SEEGERING 15	CIRCLIP 15
9	34585	JOINT COUVERCLE	DICHTUNG	GASKET
10	27819	ENS.COUCVERCLE	BREMSDECKEL	BRAKE CAP ASSY
11	27455	JEU MACHOIRE FREIN	BREMSBACKE SATZ	BRAKE SHOE SET



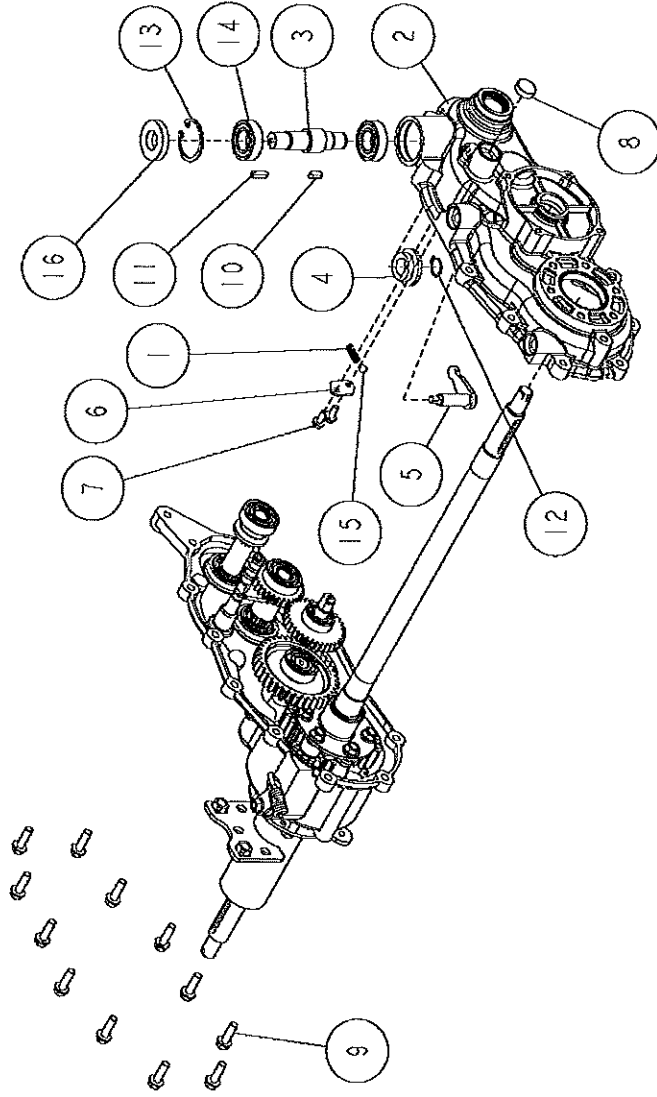
## PLO1867

Rep	Réf ETESIA	F	D	E
1	27950	CARTER D'ARBRE G.	WELLENGEHÜSE LINKS	AXLE CASE LEFT
2	27535	RDLE 10,5X18X1,6	SCHEIBE 10,5X18X1,6	WASHER 10,5X18X1,6
3	27441	JOINT AP 30.47.7	DICHTUNG AP 30X47X7	OIL SEAL AP 30X47X7
4	27446	VIS HM8X20 + GROWER	SCHRAUB.8X20+SCHEIB	SCREW 8X20 + WASHER
5	27605	VIS H M10-12 (125)	SCHRAUBE M10-12/125	SCREW M10-12 (125)
6	27442	CIRCLIPS 47	SEEGERING 47	SNAP RING 47
7	27653	ROULEMENT 6005	KUGELLAGER 6005	BEARING 6005
8	34345	JOINT 28.47.8	DICHTUNG 28.47.8	GASKET 28.47.8
9	34346	JOINT 30.47.7	DICHTUNG 30.47.7	GASKET 30.47.7



## PLO1868

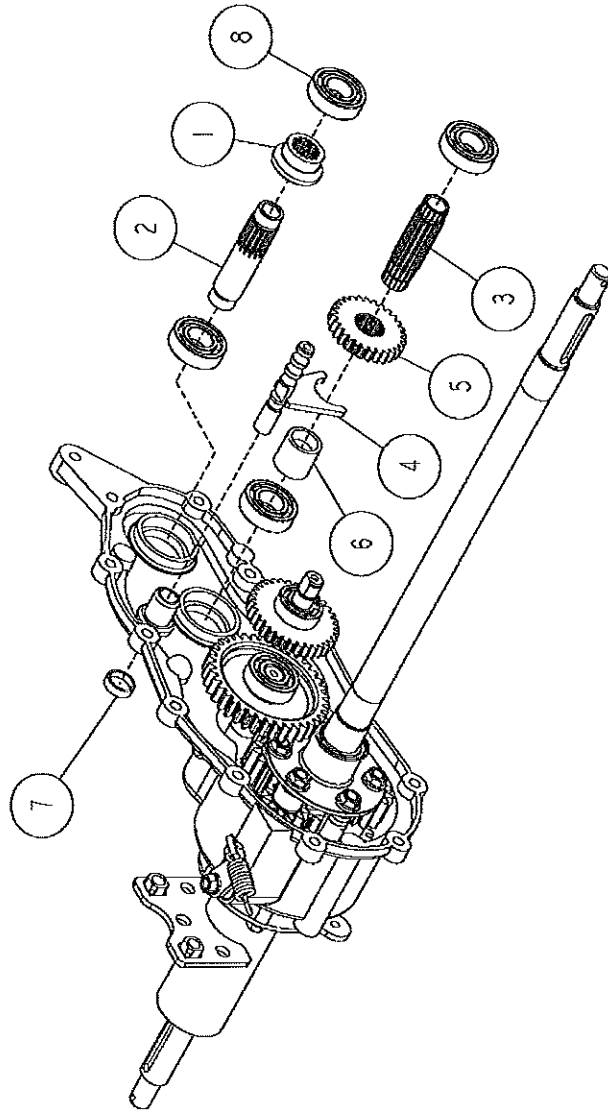
Rep	Réf ETESIA	F	D	E
1	27829	EVENT	SCHNARCHVENTIL	AIR BLEEZER
2	27952	LEVIER	HEBEL	SUB CHANGE ARM
3	34586	POULIE ENTREE BOITE	SCHEIBE	PULLEY
4	34670	BOUCHON + JOINT	STOPFEN + DICHTUNG	PLUG + GASKET
5	27220	RDLE 6,5X22X3,2	SCHEIBE 6,5X22X3,2	WASHER 6,5X22X3,2
6	20507	VIS HM 6 X 20	SECHSKANT, HM 6X20	BOLT HM 6X20
7	34315	ECROU A EMBASE 8	MUTTER 8	NUT 8
8	71049	RDLE GROWER A6	FEDERRING A6 DIN 12	SPRING WASHER, DIN 1
9	27806	JOINT LEVRE 12X22X7	LIPPENDICHTUNG	OIL SEAL 12X22X7
10	27818	JOINT LEVRE 15X30X7	LIP, DICHTUNG 15X30X7	OIL SEAL UE 15X30X7





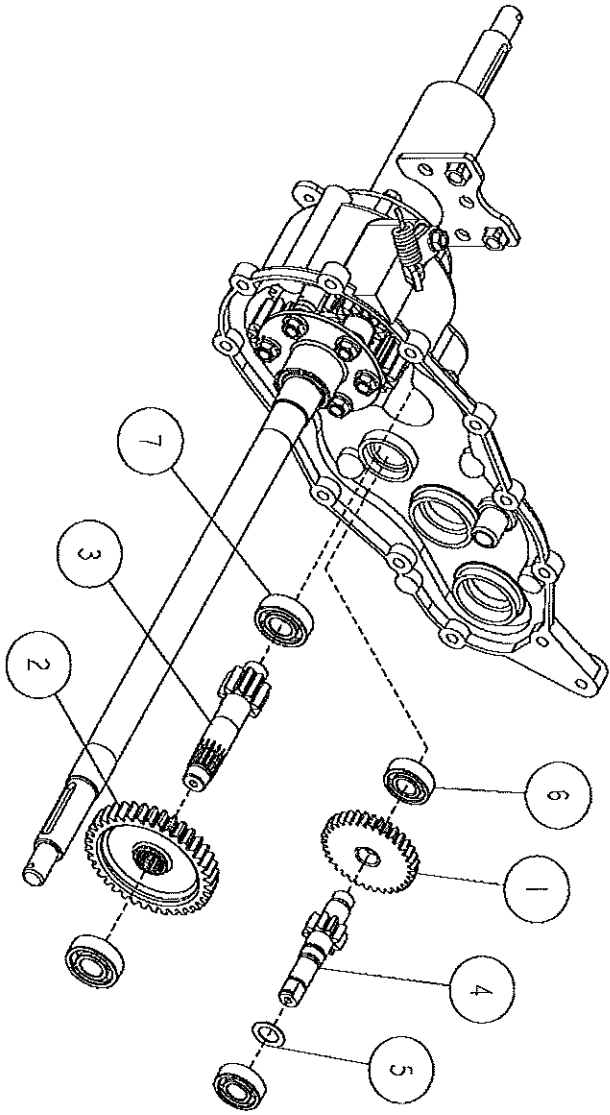
## PL01869

Rep	Réf ETESIA	F	D	E
1	27803	RESSORT 1,4	FEDER 1,4	SPRING 1,4
2	27791	CARTER GAUCHE	GEHÜSE LINKS	TRANSMIS.CASE LEFT
3	27793	AXE A	A WELLE	A AXLE
4	27795	PIGNON CONIQUE	KONISCHES ZAHNRAD	20T SPIR.MITA GEAR
5	27800	PATTE DE CDE	STEUERHEBEL	SWING ARM
6	27804	PLAQUETTE	KUGELPLATTE	SHIFT SPRING HOLDER
7	27805	VIS AUTOTAR.M6X14	SELBSTGEWIND.M6X14	TAB TIGHT M6X14
8	27831	BOUCHON NOIR 22	SCHWARZE KAPPE 22	BLACK CAP 22
9	27830	VIS HM 8X25	SECHSKANTSCHR.M8X25	HEX.TAP TIGHT M8X25
10	27794	CLAVETTE 5X16	KEIL 5X16	KEY 5X16
11	27796	CLAVETTE 5X20	KEIL 5X20	KEY 5X20
12	27376	CIRCLIPS 17	SEEGERING 17	SNAP RING 17
13	27797	CIRCLIP INT.42	STEERING IN.42	SNAP RING 42
14	34536	ROULEMENT	LAGER	BEARING
15	27802	BILLE DIA 8	KUGEL D.8	STEEL BALL D.8
16	34681	JOINT A LEVRE	DICHTUNG	GASKET



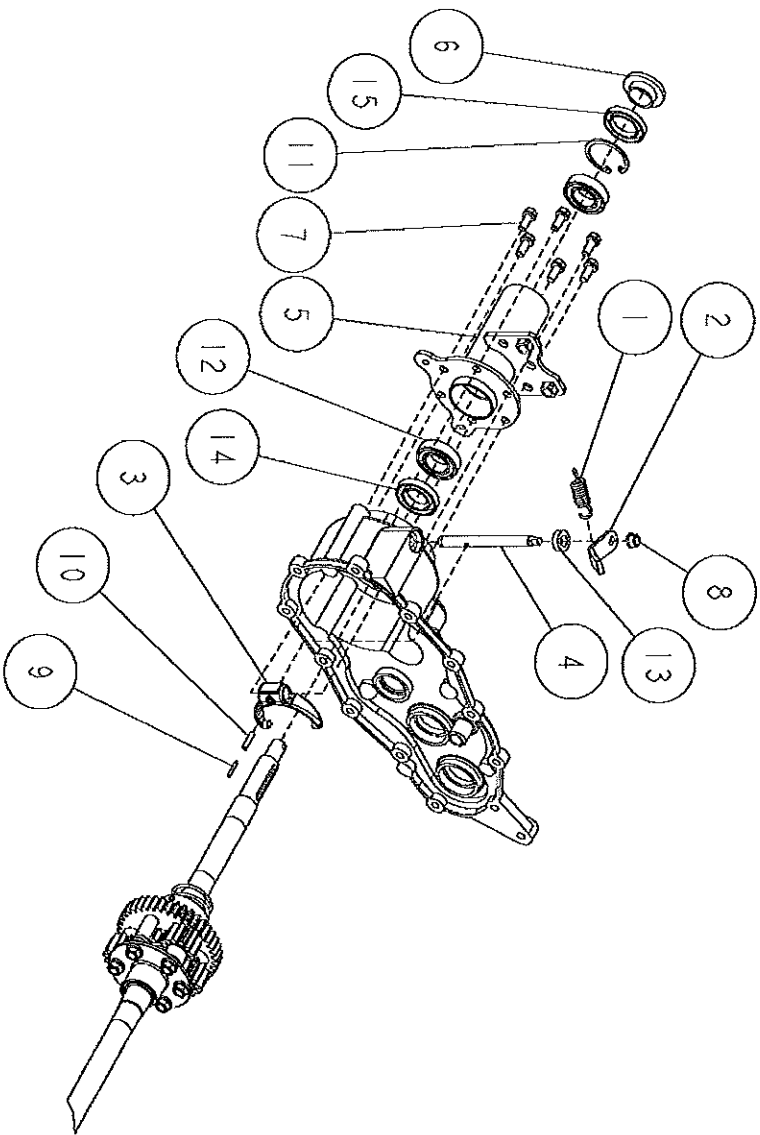
## PLO1870

Rep	Réf ETESIA	F	D	E
1	27809	PIGNON CONIQUE	KONISCHES ZAHNRAD	20T SPIRAL MIT GEAR
2	27808	AXE B	B WELLE	B AXLE
3	27810	AXE C	C WELLE	C AXLE
4	27801	FOURCHETTE	GABEL	SHIFT FORK
5	27953	PIGNON	ZAHNRAD	SHIFT GEAR
6	27954	BAGUE	BŠCHSE	COLLAR
7	27831	BOUCHON NOIR 22	SCHWARZE KAPPE 22	BLACK CAP 22
8	27651	ROULEMENT 6004	KUGELLAGER 6004	BEARING 6004



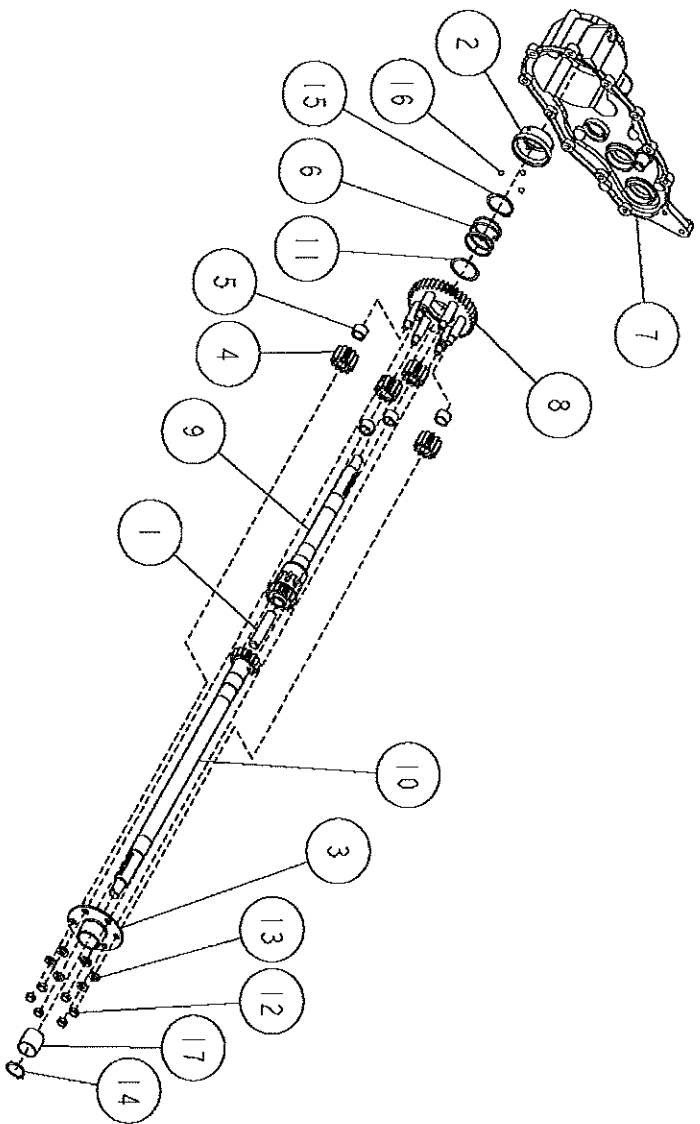
Rep	Réf	F	D	E
1	27816	PIGON AXE FR.34DENTS	ZAHNRAD 34 ZZHNE	BRAKE SHAFT 34TGEAR
2	27821	PIGON AXE 37 DENTS	ZAHNRAD 37 ZZHNE	D AXLE 37T GEAR
3	27533	AXE D.	D. WELLE	D. AXLE
4	34690	SUPPORT ARR.DROIT	HINT.RECHTE HALTERG	REAR RIGHT BRACKET
5	27813	RDL E CALE 15X24X1,0	SCHIEBE 15X24X1	WASHER 15X24X1
6	40465	RLT 6202 HUILE	LAGER 6202	BEARING 6202
7	27649	ROULEMENT 6203	KUGELLAGER 6203	BEARING 6203

PL01871



Rep	Réf ETESIA	F	D	E
1	27307	RESSORT BLOC.DIFF.	DIFFER.SPERRE FEDER	DIFFERLOCK SPRING
2	27500	BRAS BLOC.DIFF.	ARM DIFFERENT.SPERR	DIFFERENTLOCK ARM
3	27464	FOURCHETTE	GABEL	FORK
4	27822	AXE DE FOURCHETTE	GABELWELLE	DIFF LOCK FORK SHAFT
5	27951	CARTER D'ARBRE D.	WELLENGEHÜSE RECHT	AXLE CASE RIGHT
6	27441	JOINT AP 30.47.7	DICHTUNG AP 30X47X7	OIL SEAL AP 30X47X7
7	27446	VIS HM8X20 + GROVER	SCHRAUB.8X20+SCHHEIB	SCREW 8X20 + WASHER
8	34315	ECROU A EMBASE 8	MUTTER 8	NUT 8
9	27824	GOUP.ELAST.3X20	SPLINT 3X20	SPRING PIN 3X20
10	27465	GOUPILLE 5X22	SPLINT 5X22	SPRING PIN 5X22
11	27442	CIRCLIPS 47	SEEGERING 47	SNAP RING 47
12	27653	ROULEMENT 6005	KUGELLAGER 6005	BEARING 6005
13	27806	JOINT LEVRE 12X22X7	LIPPENDICHTUNG	OIL SEAL 12X22X7
14	34345	JOINT 28.47.8	DICHTUNG 28.47.8	GASKET 28.47.8
15	34346	JOINT 30.47.7	DICHTUNG 30.47.7	GASKET 30.47.7

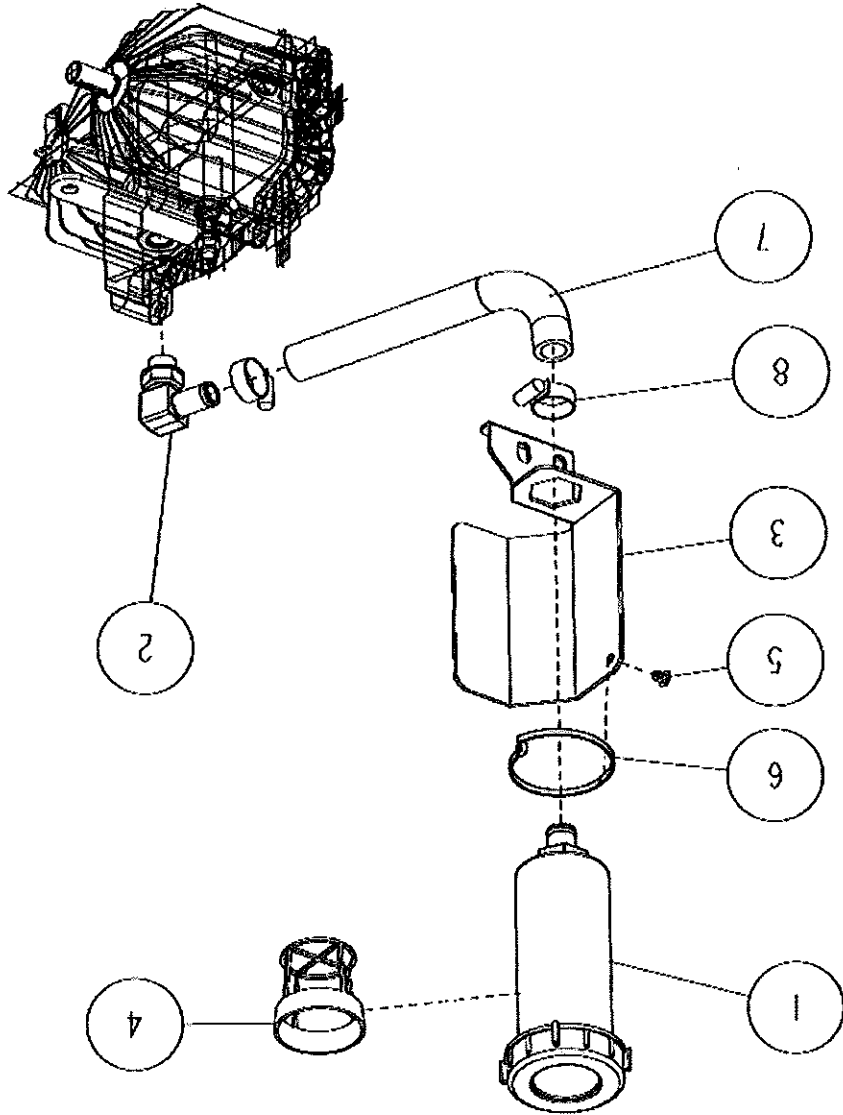
PL01872





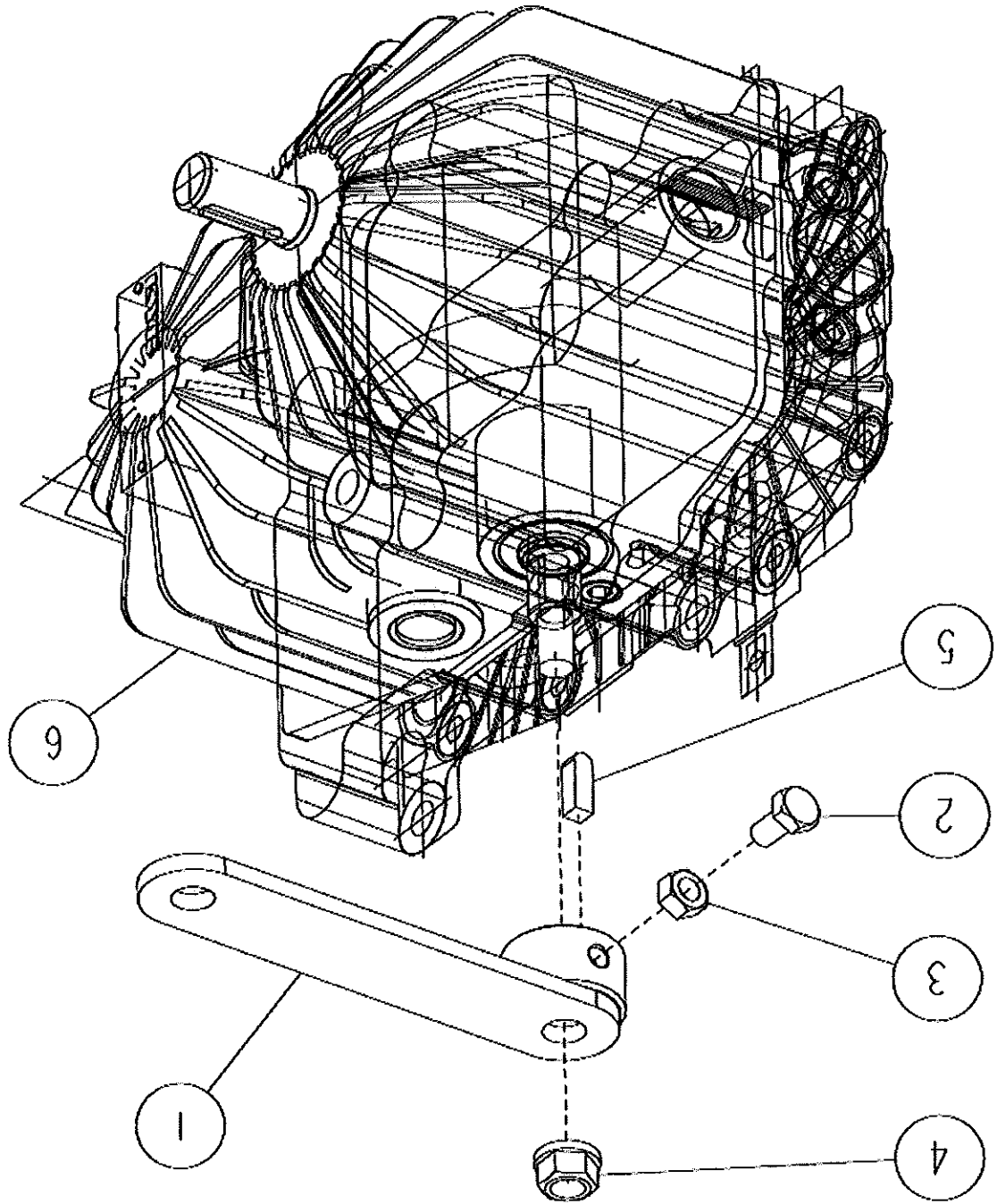
Rep	Réf ETESIA	F	D	E
1	27490	GOUPILLE AXE	WELLENSPLINT	AXLE PIN
2	27485	CONE BLOCAJE DIFF.	KONUS DIFFERENTIAL	DIFF LOCK CONE
3	27492	DISQUE BLOC.DIFF.	DIFFERENT.-SCHEIBE	DIFF LOCK PLATE
4	27495	PIGNON BL.DIFF.11D	DIFFERE.ZAHNRAD 11T	DIFF LOCK GEAR 11T
5	27496	BAGUE PIG.BLOC.DIFF	BUCHSE FUR SPERRE	AXLE COLLAR DIFF.
6	27486	RESSORT BLOC.DIFF.	FEDER DIFFERENTIAL	DIFF LOCK SPRING
7	27792	CARTER DROIT	GEHUSE RECHTS	TRANSMTS.CASE RIGHT
8	27534	COURONNE PLANETAIRE	PLANETARKRONE	AXLE GEAR CMP
9	27189	AXE DROITE	RECHTE WELLE	RIGHT SHAFT
10	27188	AXE GAUCHE	LINKE WELLE	LEFT SHAFT
11	27487	RDLE 40X48X1,0	SCHIEBE 40X48X1,0	WASHER 40X48X1,0
12	34317	ECROU A EMBASE 10	MUTTER 10	NUT 10
13	2244	RDLE GROWER A10	FEDERSCHIEBE A10	WASHER A10
14	27494	CIRCLIPS 28	SEEGERING 28	SNAP RING 28
15	27638	CIRCLIPS EXT.40	AUS.SEEGERING 40	OUT.CIRCLIP 40
16	27481	BILLE 7,5	KUGEL DURCH.7,5	STEEL BALL DIA.7,5
17	27493	BAGUE 28.30	BUCHSE 28.30	BUSSH 28.30

PL01873



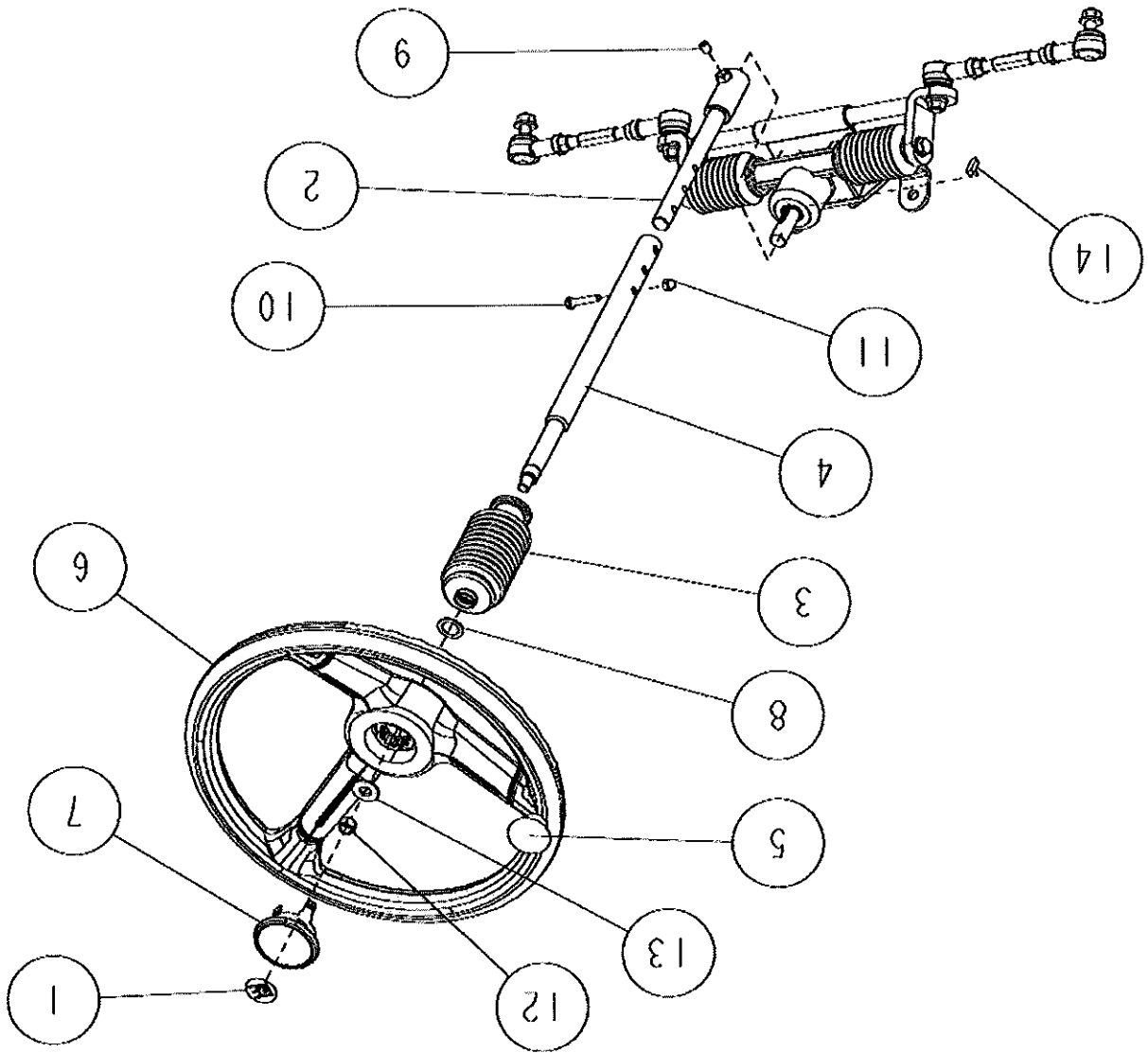
Rep	Réf	F	D	E
1	27967	RESERV,COMPENSATION	™LAUSGLEICHBEHZLT.	OIL TANK
2	27832	COUDE	WINKEL	PORT JOINT
3	27968	SUP,RESERV,COMPENS.	™LAUSGLEICHBEHZLT.	OIL TANK BRACKET
4	27741	CREPINE	GITTER	FILTER
5	27969	CLIPS	CLIP	CLIP
6	27970	COLLIER	SCHELLE	CLAMP
7	27964	FLEXIBLE PREFORME	SCHLAUCH	HOSE
8	27965	COLLIER 24	SCHELLE 24	HOSE BAND 24

PL01874



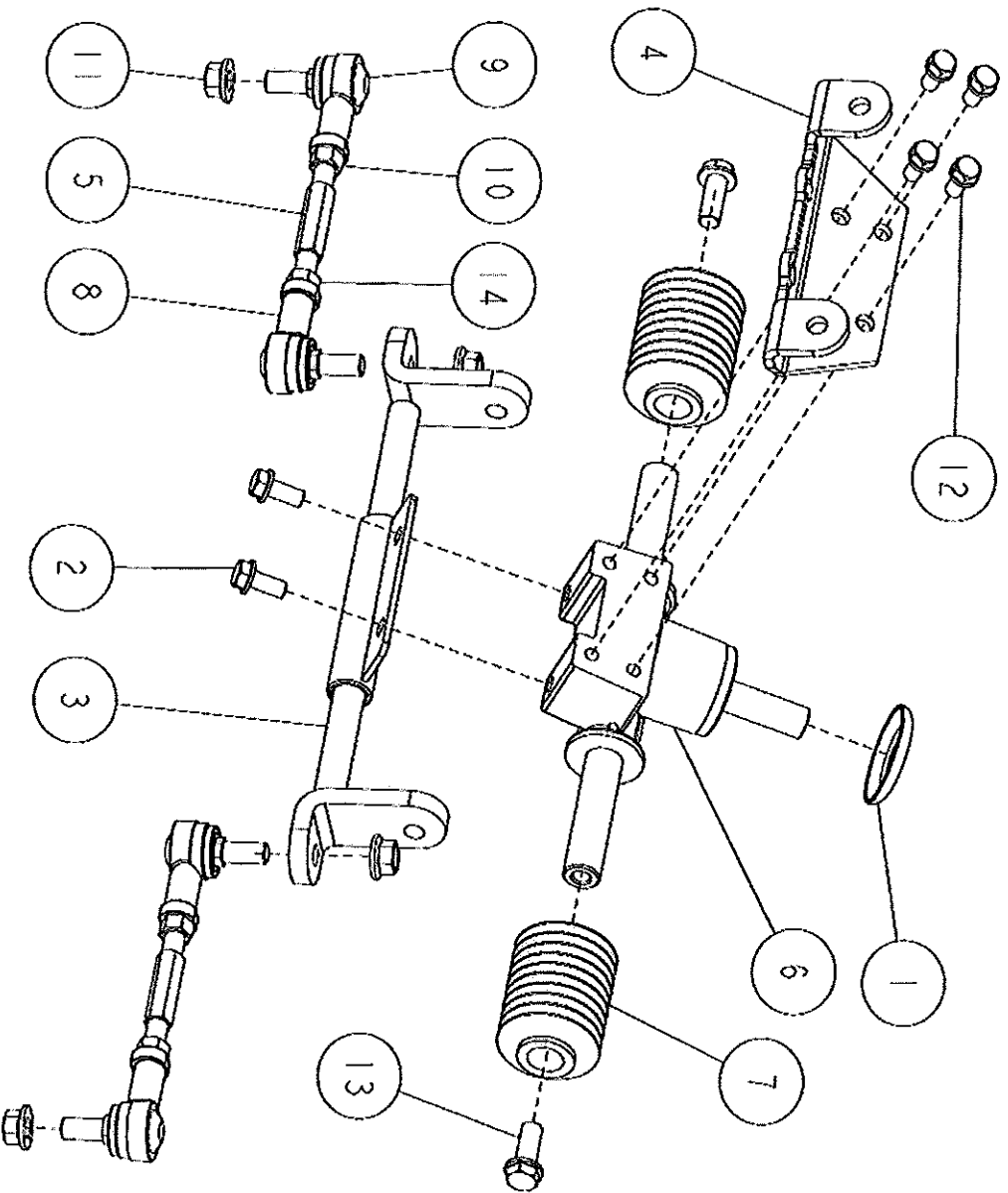
Rep	Réf	F	D	E
1	27837	LEVIER DE CDE	STUEHRHEBEL	CONTROL ARM
2	27457	VIS HM 6X12 (8T)	SECHSKANTSCHR M6X12	HEXA.SCREW M6X12 8T
3	1557	ECROU HM6 DIN934	MUTTER HM 6 DIN 934	NUT HM6
4	27501	ECROU M8 + GROWER	MUTTER M8+FEDERSCH.	NUT FLANGE M8
5	27681	CLAVETTE 5X16	KEIL 5X16	KEY 5X16
6	27790	UNITE HYDROSTATIQUE	HYDRAULISCH.EINHEIT	HST UNIT

PL01875



Rep	Réf	F	D	E
1	25330	BADGE VOLANT ETESIA	LENKRADKAPSEL-ETESI	BADGE - ETESIA
2	34287	AXE DIRECTION INFIR	UNTERLENKUNGSWELLE	LOW,STEERING SHAFT
3	27420	SOUFLET DE DIRECTI	LENKUNGSCHUTZBALG	STEERING BELLOW
4	34660	AXE DIRECTION SUP.	LENKUNGSWELLE OBEN	UPPER STEER. SHAFT
5	27637	ENS.POMMEAU DIRECT.	LENKRAD KNOPF KPLT.	STEERING WHEEL
6	27430	VOLANT	LENKRAD	STEERING WHEEL
7	34661	CAPUCHON VOLANT	LENKRAD KAPPE	STEERING CAP
8	27364	RONDELLE 16X24X1,0	SCHIEBE 16X24X1,0	WASHER 16X24X1
9	34296	VIS M8X10	SCHRAUBE M8X10	SCREW M8X10
10	34254	VIS COLONNE DIRECT.	LENKSAULE SCHRAUBE	STEERIG SHAFT SCREW
11	27370	ECROU BORGNE M6	HUTMUTTER M6	NUT FLANGE M6
12	9017	ECRAUTOFR.HM10 DIN	MUTTER HM10 DI	NUT HM10
13	34324	RONDELLE 10	SCHIEBE 10	WASHER 10
14	27690	CLAVETTE 5X20	KEIL 5X20	KEY 5X20

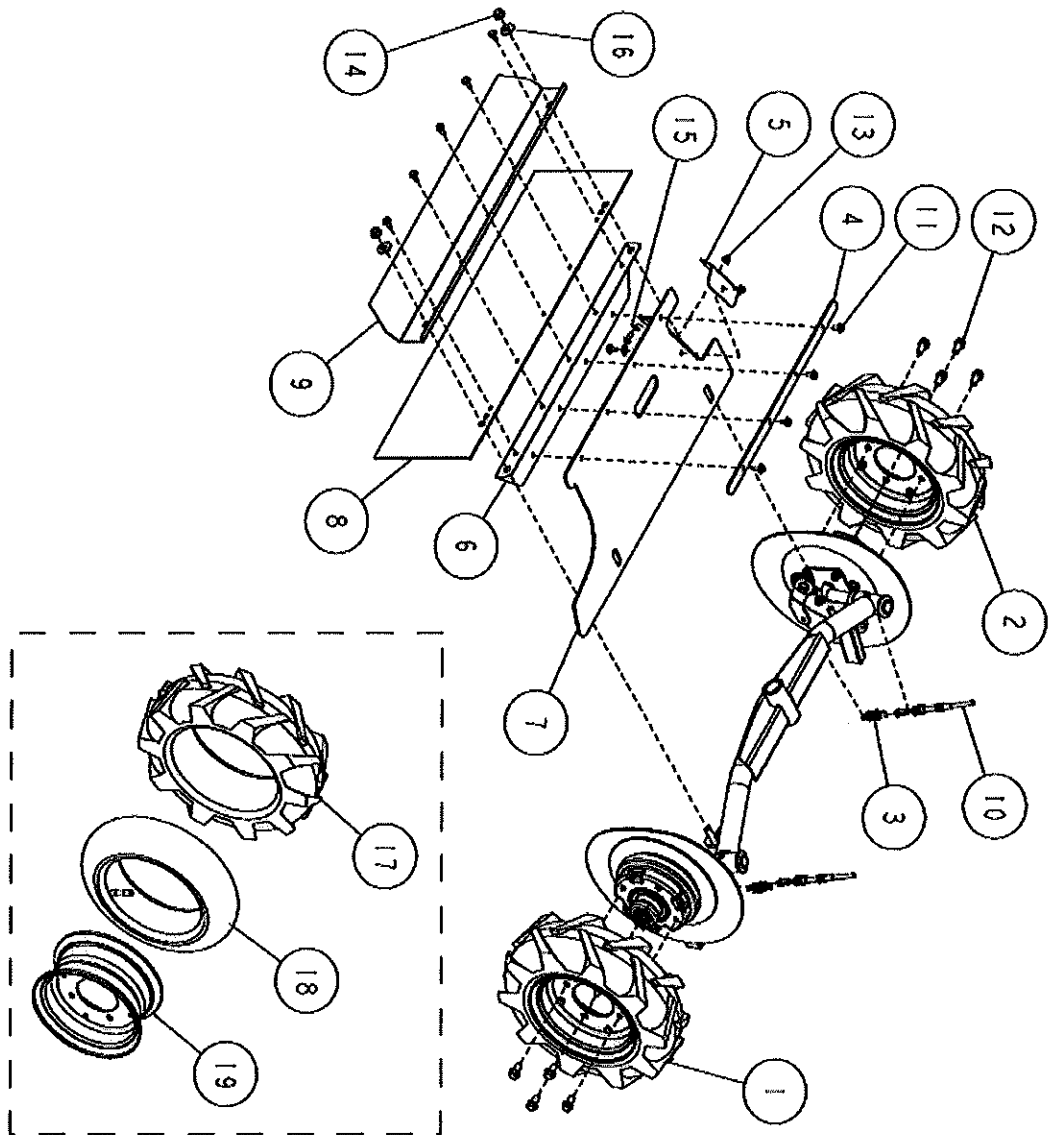
PL01876





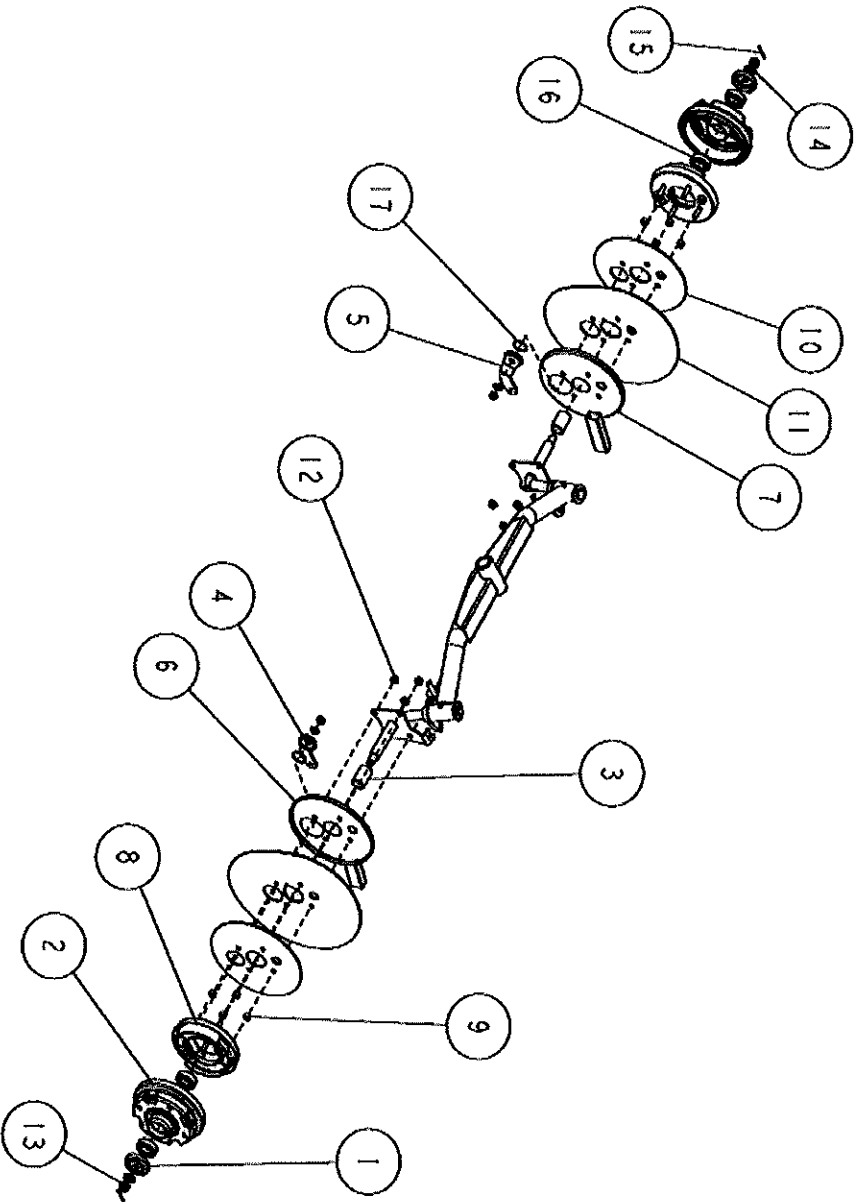
Rep	Réf ETESIA	F	D	E
1	27423	CACHE ROULEMENT	KUGELLAGERSCHUTZ	BEARING COVER
2	34284	VIS A EMBASE M8X18	SCHRAUBE M8X18	SCREW M8X18
3	27232	SUPPORT	HALTERUNG	RACK SUPPORT
4	27229	SUPPORT DIRECTION	HALTERUNG	STEERING BRACKET
5	27576	TRING.REG. M10X125	SPURGEST.M10X125 LR	ROD ADJUST. M10X125
6	27611	RENOI DIRECTION	LENKUNG KPLT	STEER.GEARBOX ASSY
7	27230	SOUFFLET DE DIRECT.	SCHUTBLAG	STEERING BOOTS
8	34230	ROTOLE DIRECTION D.	RECHLENKUNGSGELENK	RIGH,STEERING ELBOW
9	34231	ROTOLE DIRECTION G.	LINKLENKUNGSGELENK	LEFT STEERING ELBOW
10	27579	CONT.ECR.G. M10X125	KONTER.MUT.M10X125L	COUNTERNUT M10X125L
11	34232	ECROU M12 P1.25	MUTTER M12 P1.25	NUT M12 P1.25
12	34284	VIS A EMBASE M8X18	SCHRAUBE M8X18	SCREW M8X18
13	34311	VIS A EMBASE 10X25	SCHRAUBE M10X25	SCREW M10X25
14	27578	CONTRE ECR. M10X125	KONTERMUTT. M10X125	COUNTERNUT M10X125

PL01877



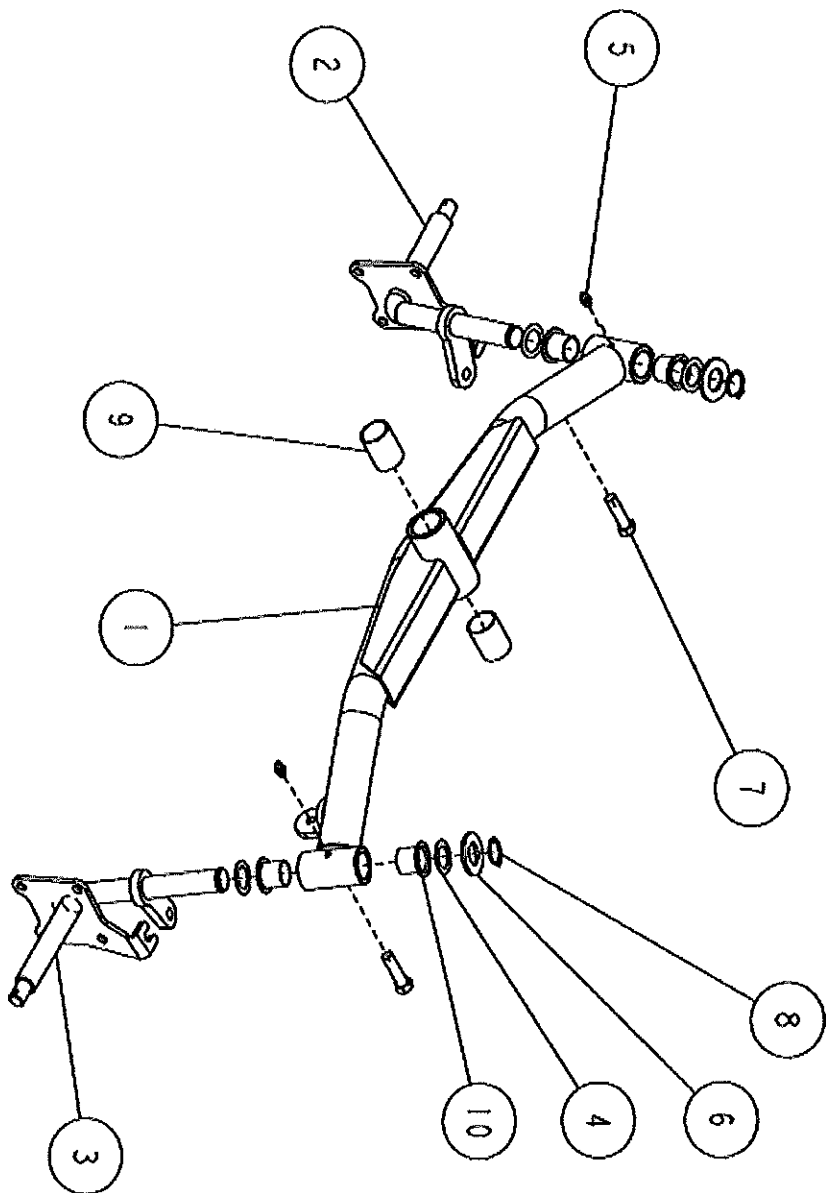
Rep	Réf	F	D	E
1	27236	ROUE AVANT GAUCHE	LINKES VORDERRAD	LEFT FRONT WHEEL
2	27237	ROUE AVANT DROITE	RECHTES VORDERRAD	RIGHT FRONT WHEEL
3	27307	RESSORT BLOC.DIFF.	DIFFER.SPERRE FEDER	DIFFERLOCK SPRING
4	27934	BAUETTE	HALTERUNGSSTREIFEN	UPPER FLAPPER HOLD.
5	27677	SUPPORT	HALTERUNGSBLECH R.	UP.FLAPPER HOLDER R
6	34692	SUPPORT ARR.DROIT	HINT.RECHTE HALTERG	REAR RIGHT BRACKET
7	27933	BAUETTE	GUMMILAPPEN	UPPER FLAPPER
8	34693	SUPPORT ARR.DROIT	HINT.RECHTE HALTERG	REAR RIGHT BRACKET
9	27930	CACHE	VERKLEIDUNGSBLECH	FOOD GUARD
10	34644	CABLE FREIN AVANT	VORDERER BREMSKABEL	FRONT BRAKE CABLE
11	34302	VIS M6X15	SCHRAUBE M6X15	SCREW M6X15
12	27323	VIS HM10X20 + GROWE	SECHSK.SCHR.HM10X20	HEG.S.HM10X20+SPRIN
13	27370	ECROU BORGNE M6	HUTMUTTER M6	NUT FLANGE M6
14	9017	ECR.AUTOFR.HM10 DIN	MUTTER HM10 DI	NUT HM10
15	34322	RONDELLE 6	SCHEIBE 6	WASHER 6
16	34323	RONDELLE 10	SCHEIBE 10	WASHER 10
17	27377	PNEU AVANT	VORDERREIFEN	FRONT TYRE
18	27387	CHAMBRE A AIR AV.	LUFTSCHLAUCH VORNE	INNER O AIR TUBE FR
19	27393	JANTE AVANT	FELGE VORNE	FRONT RIM

PL01878



Rep	Réf	F	D	E
1	27667	RDL PROTECTION	SCHUTZSCHEIBE	FR WHEEL DUST COVER
2	34635	MOYEU DE ROUE	RADFLANSCH	WHEEL BOSS
3	34636	BAUE	BÜCHSE	BUSH
4	34637	LEVIER FREIN GAUCHE	LINKER BREMS HEBEL	LEFT BRAKE LEVER
5	34638	LEVIER FREIN DROIT	RECHTER BREMS HEBEL	RIGHT BRAKE LEVER
6	34639	CACHE FREIN GAUCHE	LINK BREMSVERKLEIDG	LEFT BRAKE COVER
7	34640	CACHE FREIN DROIT	RECHT BREMSVERKLEID	RIGHT BRAKE COVER
8	34641	PATIN FREIN AVANT	VORDERE BREMS KÜFE	FRONT BRAKE SHOE
9	34697	SUPPORT ARR.DROIT	HINT.RECHTE HALTERG	REAR RIGHT BRACKET
10	34642	CACHE ROUE AVANT	VORDERRAD VERKLEIDG	FRONT WHEEL COVER
11	34643	CACHE ROUE AVANT	VORDERRAD VERKLEIDG	FRONT WHEEL COVER
12	27501	ECROU M8 + GROWER	MUTTER M8+FEDERSCH.	NUT FLANGE M8
13	34378	ECROU A CRENEAUX	KRONENMUTTER	NUT SLOTTED
14	27358	RONDELLE	SCHLEIBE	WASHER
15	27668	GOUP.FENDUE 2,5X25	SPLINTE 2,5X25	SPLIT PIN 2,5X25
16	27651	ROULEMENT 6004	KUGELLAGER 6004	BEARING 6004
17	34682	JOINT TORIQUE	O-RING	O-RING

PL01879

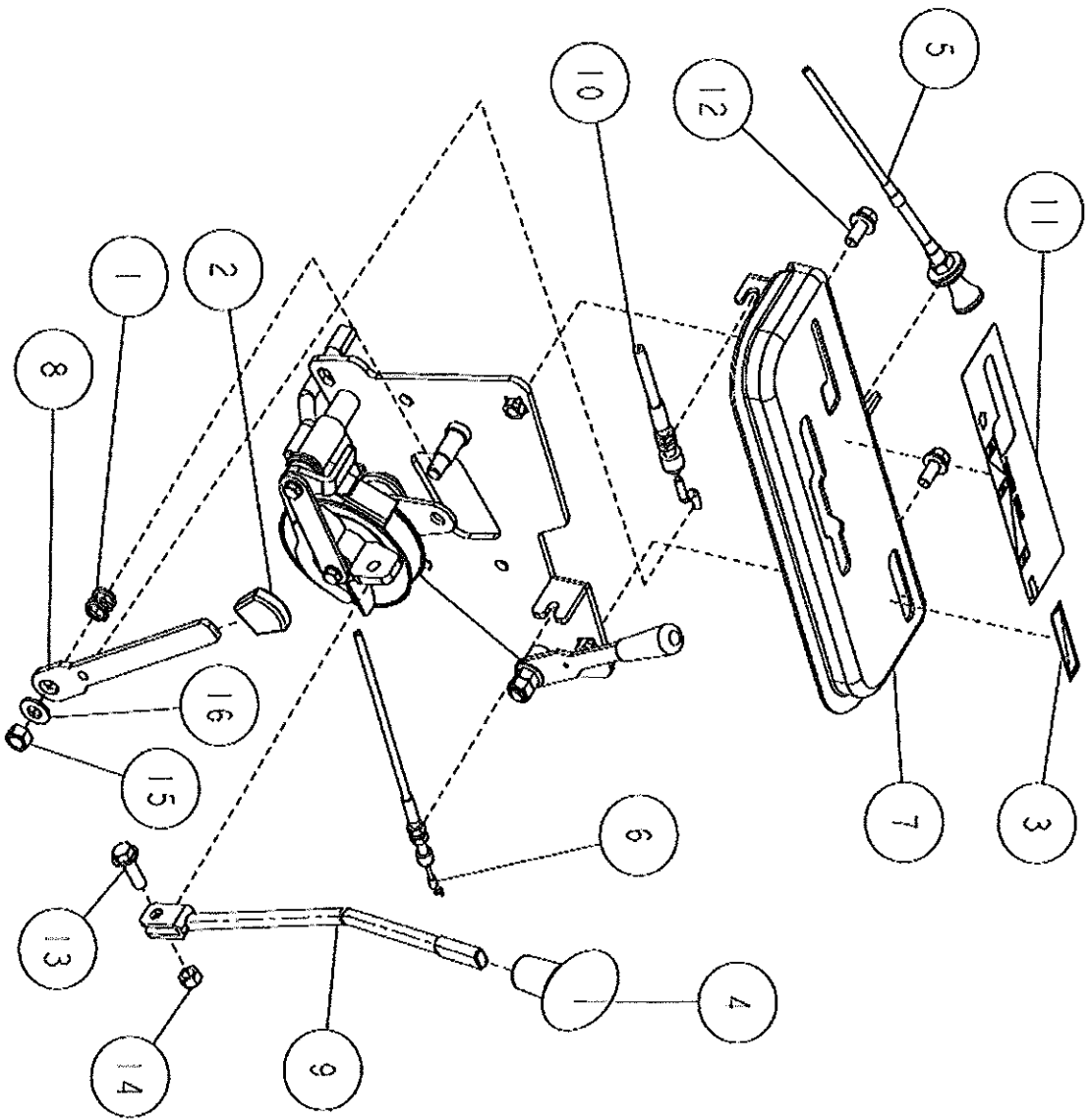


# PL01880

ETESIA

16/12/2011

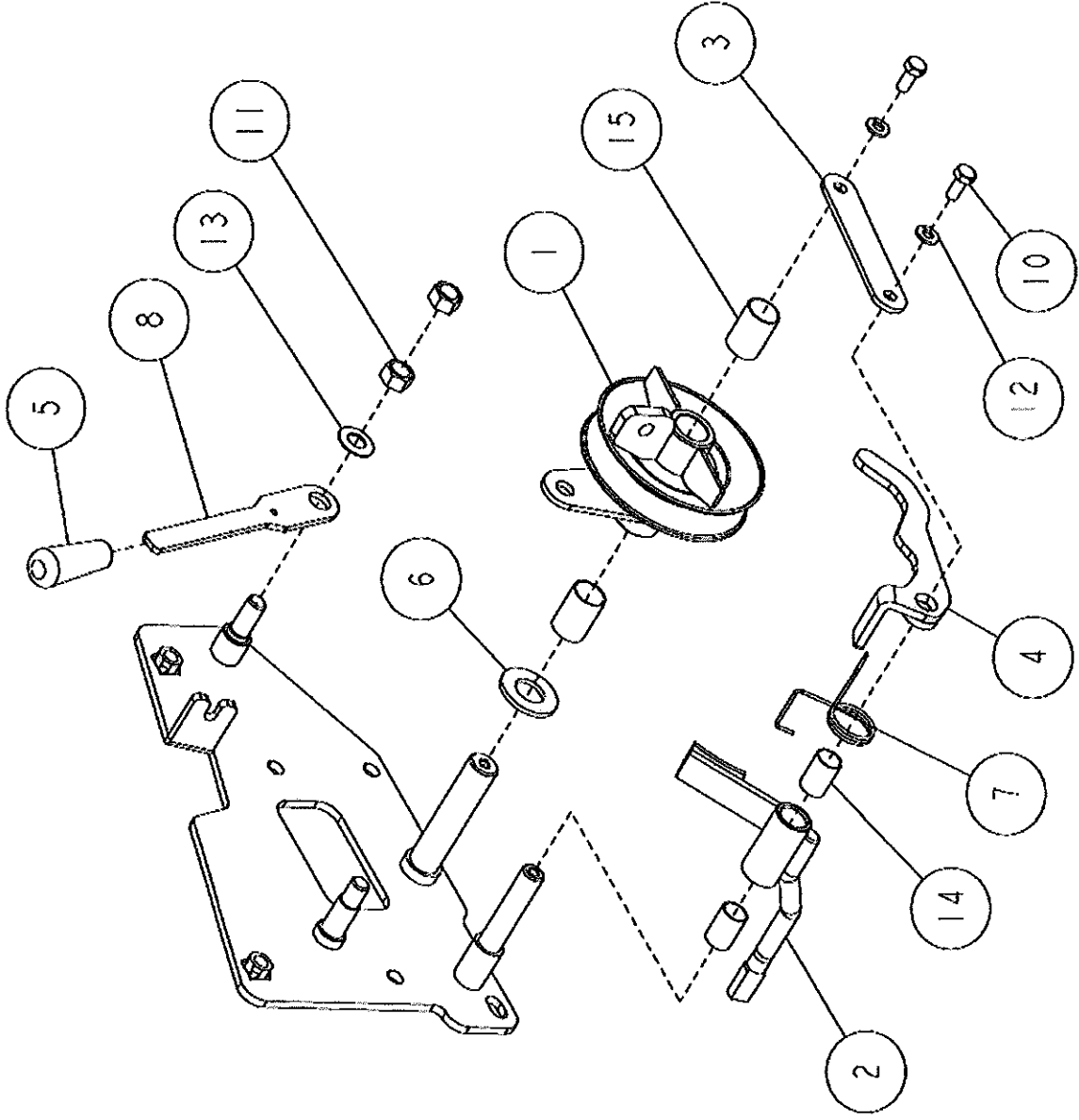
Rep	Réf	F	D	E
1	34715			
2	34748			
3	34749			
4	27356	RDLÉ 20X30X1	SCHIEBE 20X30X1	WASHER 20X30X1
5	27246	GRAISSEUR	SCHMIERNIPPEL	GREASE NIPPEL
6	34295	RONDELLE M20X38X3,2	SCHIEBE M20X38X3,2	WASHER M20X38X3,2
7	71242	VIS HM 10-35 DROITE	SECHSKANTSCHRAUBE	HEX,SCREW HM10X35
8	27553	CIRCLIPS 20	SEEGERING 20	SNAP RING 20
9	27660	BAQUE DU 25,35	DU BÛCHSE 25,35	DU BUSH 25,35
10	27214	BAQUE ALU	DU BÛCHSE	DU BUSH





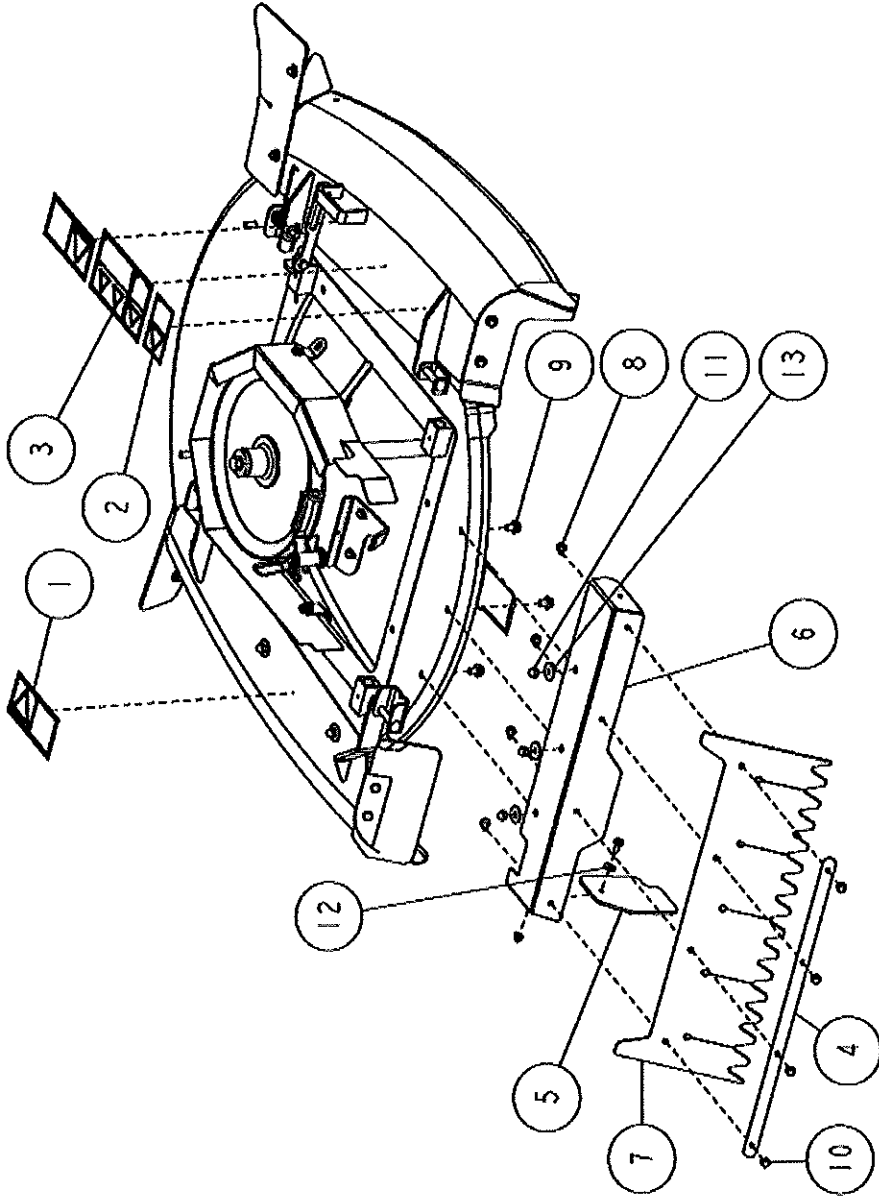
## PLO1881

Rep	Réf ETESIA	F	D	E
1	27304	RESSORT AXE DE CDE	BOLZENFEDER	CTRL.SHAFT SPRING
2	27922	POIGNEE	GASHEBEL	LEVER GRIP
3	13169	AUTOCOL. CDE GAZ	AUFKELBER GASHEBEL	LABEL THROTTLE
4	34106	POIGNEE LEVIER DIR.	GRIFF	GRIP
5	27172	CABLE START. FH430	STARTERKABEL	STARTER CABLE FH430
6	34233	CABLE DE GAZ AV98	GASKABEL AV98	THROTTLE WIRE AV98
7	34703			
8	34706			
9	34707			
10	34732			
11	13337	ETIQ.BLOC DIFF.VIT.	DIF.SPERRE AUFKLEB.	DIFF.STICKER
12	34309	VIS EMBASE M8X20	SCHRAUBE M8X20	SCREW M8X20
13	34310	VIS A EMBASE M8X25	SCHRAUBE M8X25	SCREW M8X25
14	2021	ECR.AUTOFR.HM8 DIN	STOPMUTTER HM 8 DIN	NUT HM8
15	9017	ECR.AUTOFR.HM10 DIN	MUTTER HM10 DI	NUT HM10
16	34321	RONDELLE 10	SCHEIBE 10	WASHER 10



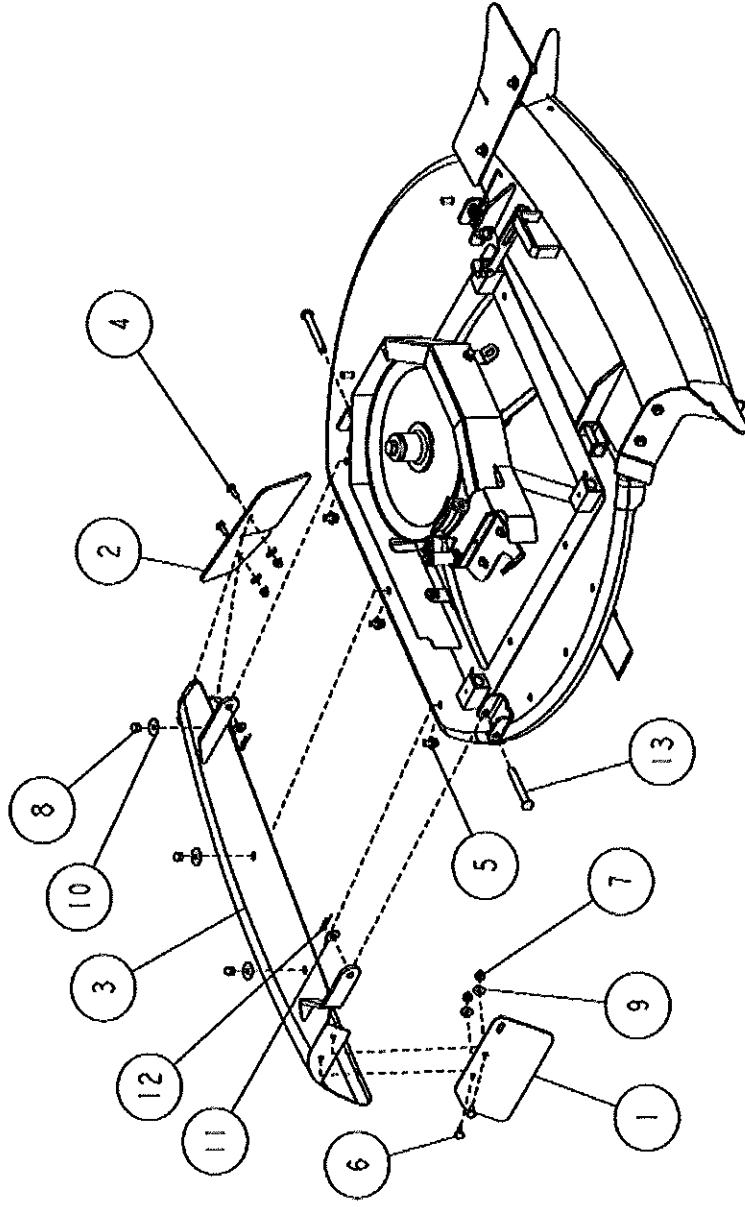
## PLO1882

Rep	Réf ETESIA	F	D	E
1	27762	POULIE	SCHEIBE	CHANGE BOSS
2	27758	PATIN DE FREIN	BREMSKEIL	CHANGE BRAKE
3	27761	PATTE	PLŽTTCHEN	CHANGE BEAM
4	27195	LEVIER	HEBEL	LEVER
5	27770	POIGNEE	GRIFF	LEVER GRIP
6	27749	RONDELLE 16X32X2,3	SCHEIBE 16X32X3,2	WASHER 16X32X3,2
7	27191	RESSORT	FEDER	SPRING
8	34133	LEVIER CDE GAZ	GASHEBEL	THROTTLE LEVER
10	71255	VIS TH M6X14 DIN933	SCHRAUBE TH M6X14	SCREW TH M6X14
11	71158	ECROU HH M10,8	SECHSKANTSCHR. M10	HEXAGONAL NUT HM10
12	71049	RDLE GROWER A6	FEDERRING A6 DIN 12	SPRING WASHER, DIN 1
13	34330	RDLE BELLEVILLE H10	SCHEIBE H10	WASHER H10
14	27520	BAGUE	BŠCHSE DU MB 122ODV	BUSH MB 122 ODV
15	27612	BAGUE 16-25	DU BŠCHSE 16-25	DU BUSH 16-25



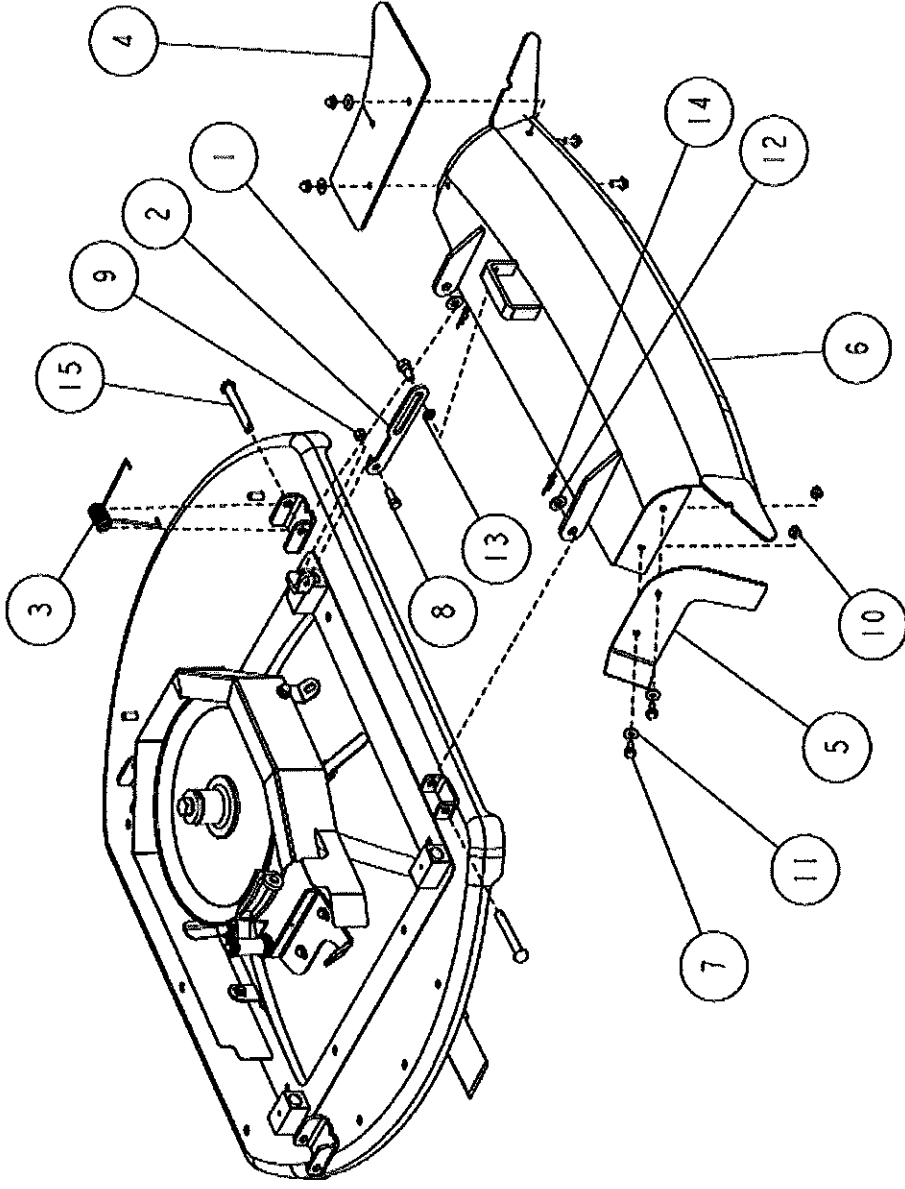
## PL01883

Rep	Réf ETESIA	F	D	E
1	13062	ETIQ.PLATEAU COUPE	AUFKLEBER MZHWERK	STICKER CUT-DECK
2	13064	ETIQ.OUVERT.CAPOT	AUFKL.ABDECK.TM FNUNG	STICKER COLER OPEN
3	13089	ETIQ.TRAPPE FR.		ETIQ. TRAPPE FR.
4	34205	BAGUETTE	HALTERUNGSSTREIFEN	FRONTGUARD
5	34215	BAVETTE	GUMMILAPPEN	RUBBER FLAPPER
6	34719			
7	34720			
8	27893	VIS HM6X20 + RDLE	SCHR.HM6X20+SCHEIBE	SCREW HM6X20+WASHER
9	27562	VIS HM8X16 + GROWER	SCHR.M8X16+FEDERSCH	M8X16+SPRING WASH.
10	34314	ECROU A EMBASE 6	MUTTER 6	NUT 6
11	5043	ECROU BORGNE M 8	MUTTER M8	NUT
12	34322	RONDELLE 6	SCHEIBE 6	WASHER 6
13	34326	RONDELLE 8	SCHEIBE 8	WASHER 8



## PL01884

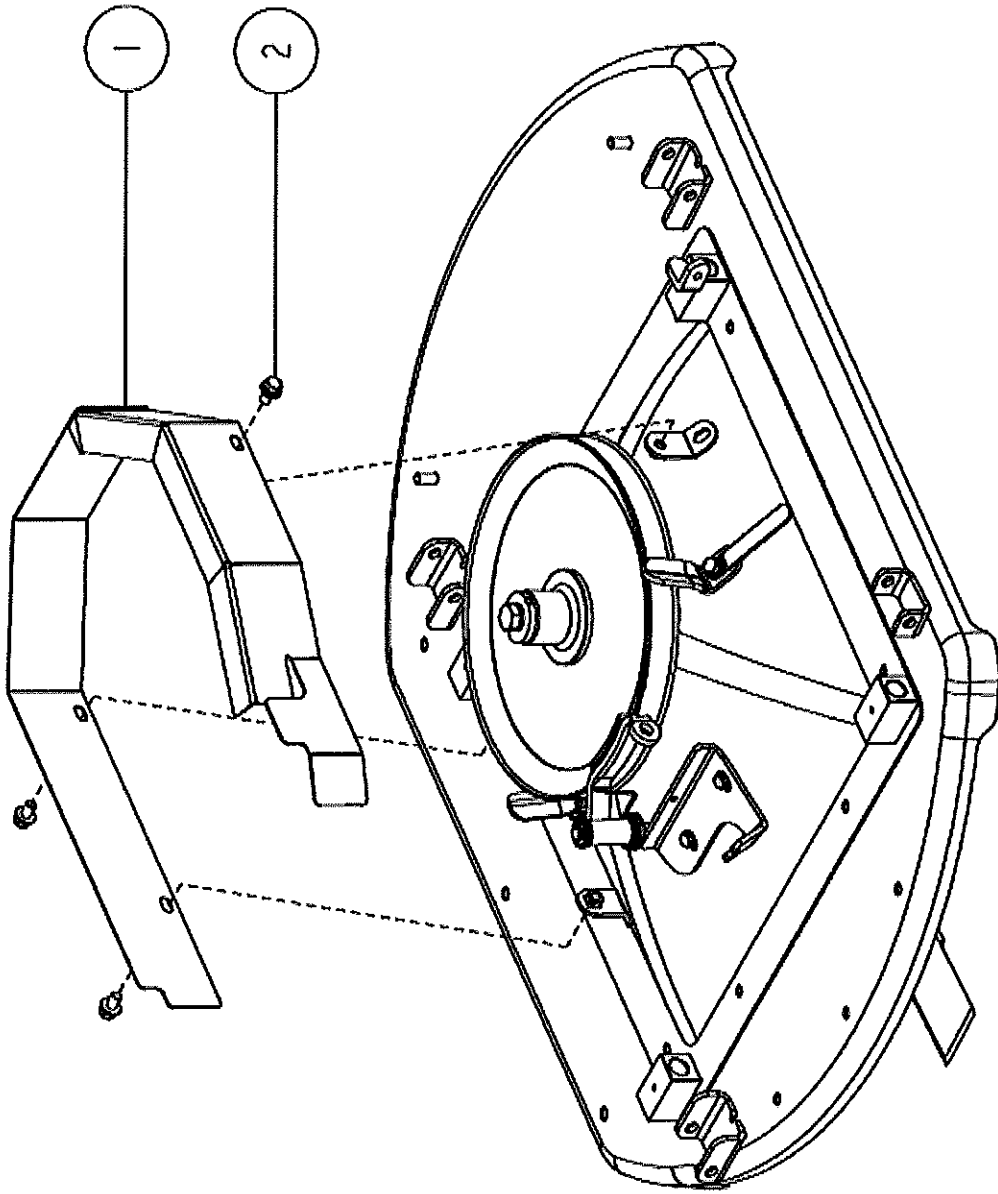
Rep	Réf ETESIA	F	D	E
1	34698			
2	34721			
3	34750			
4	27893	VIS HM6X20 + RDLE	SCHR.HM6X20+SCH EIBE	SCREW HM6X20+WASHER
5	34308	VIS M8X16	SCHRAUBE M8X16	SCREW M8X16
6	71255	VIS TH M6X14 DIN933	SCHRAUBE TH M6X14	SCREW TH M6X14
7	34314	ECROU A EMBASE 6	MUTTER 6	NUT 6
8	5043	ECROU BORGNE M 8	MUTTER M8	NUT
9	34322	RONDELLE 6	SCH EIBE 6	WASHER 6
10	34326	RONDELLE 8	SCH EIBE 8	WASHER 8
11	34327	RONDELLE 10	SCH EIBE 10	WASHER 10
12	34333	GOUPILLE	STIFT	PIN
13	34337	AXE DEFLECTEUR	DEFLEKTOR ACHSE	DEFLECTOR AXLE





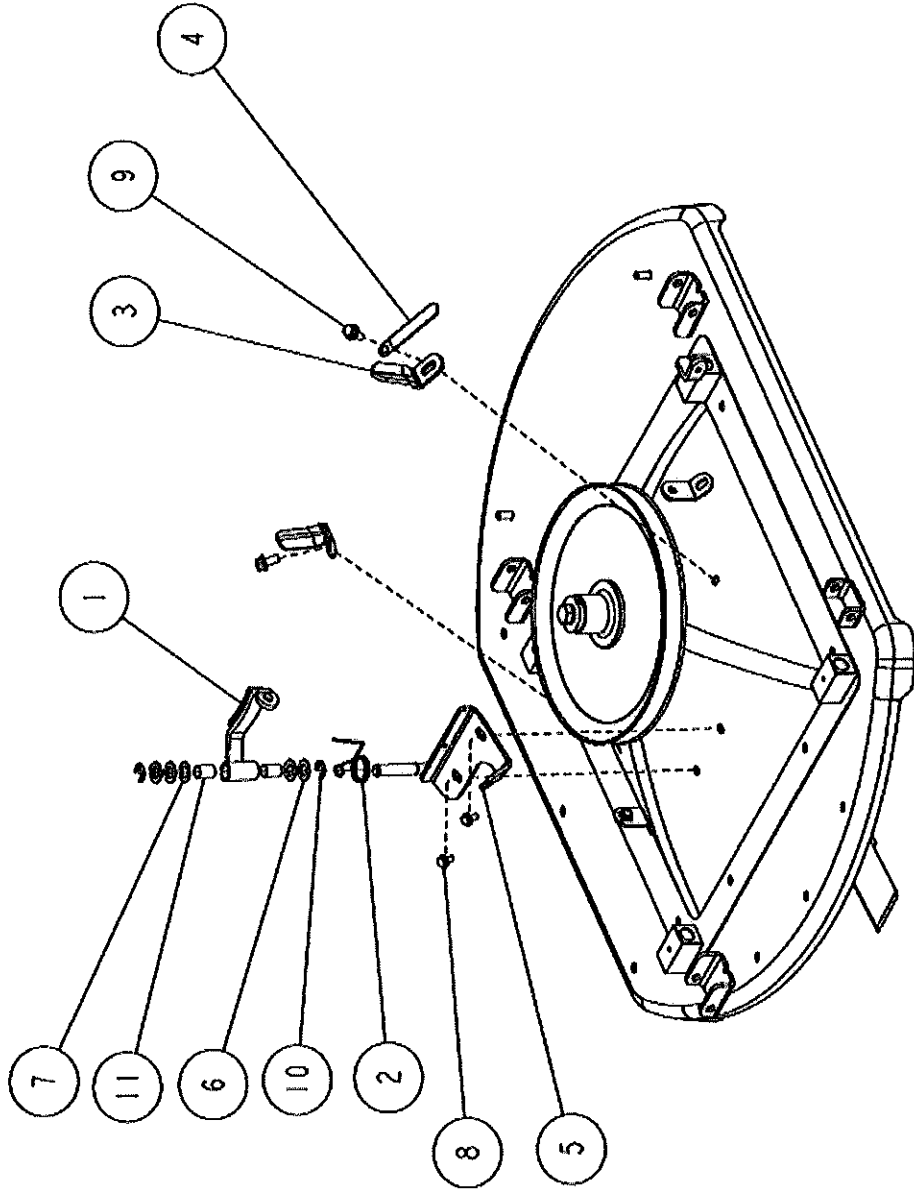
## PLO1885

Rep	Réf ETESIA	F	D	E
1	27417	VIS DEFLECTEUR	DEFLEKTORSCHRAUBE	DEFLECTOR SCREW
2	27274	BRAS DEFLECTEUR	DEFLECTOR ARM	ARM FOR COVER RIGHT
3	34229	RESSORT	FEDER	SPRING
4	34722			
5	34723			
6	34751			
7	27893	VIS HM6X20 + RDLE	SCHR.HM6X20+SCHIEBE	SCREW HM6X20+WASHER
8	34310	VIS A EMBASE M8X25	SCHRAUBE M8X25	SCREW M8X25
9	2021	ECR.AUTOFR.HM8 DIN	STOPMUTTER HM 8 DIN	NUT HM8
10	34314	ECROU A EMBASE 6	MUTTER 6	NUT 6
11	34322	RONDELLE 6	SCHIEBE 6	WASHER 6
12	34327	RONDELLE 10	SCHIEBE 10	WASHER 10
13	15848	RDLE GROWER	FEDERRING	SPRING WASHER
14	34333	GOUILLE	STIFT	PIN
15	34337	AXE DEFLECTEUR	DEFLEKTOR ACHSE	DEFLECTOR AXLE



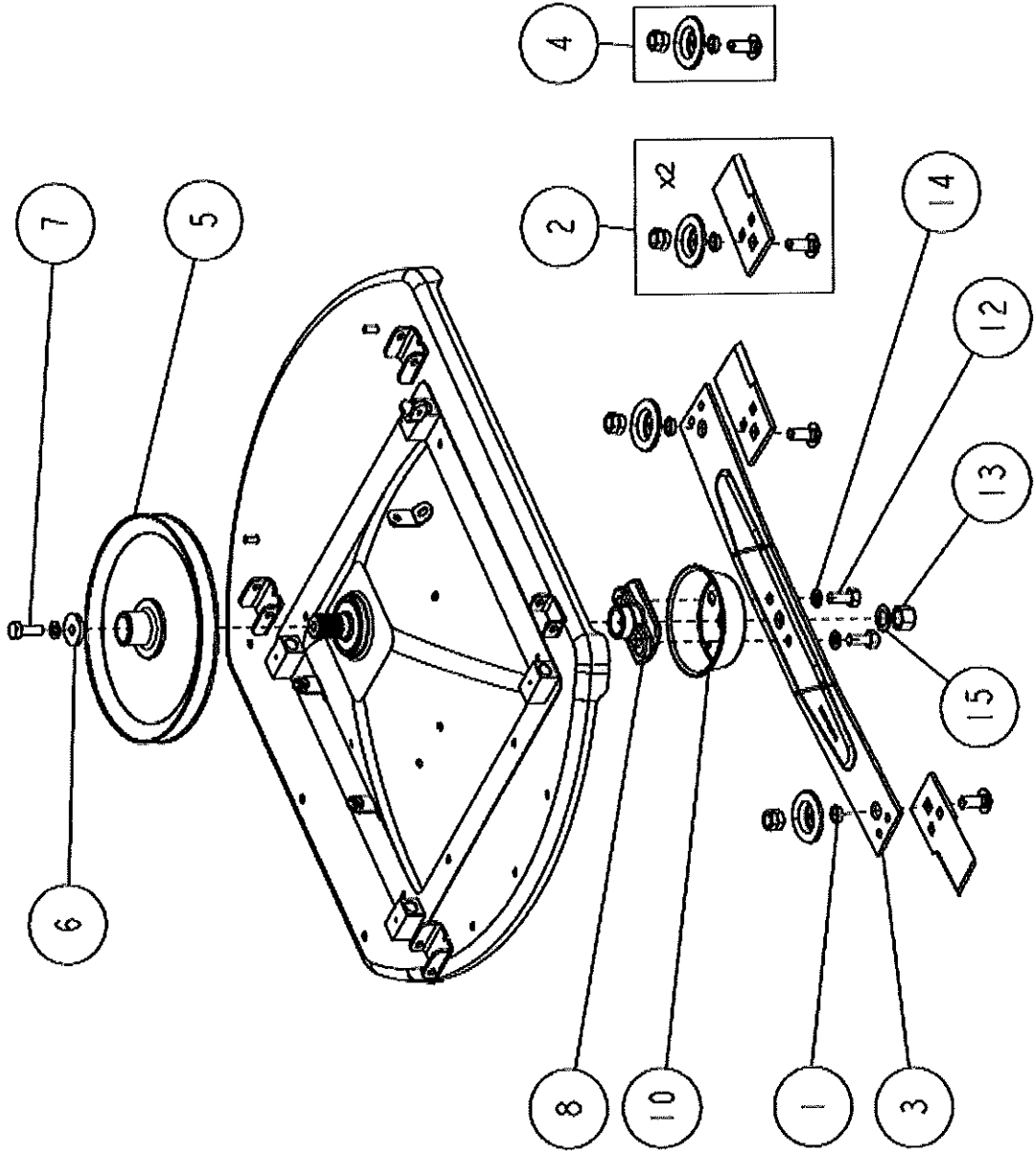
## PL01886

Rep	Réf ETESIA	F	D	E
1	34742			
2	34308	VIS M8X16	SCHRAUBE M8X16	SCREW M8X16



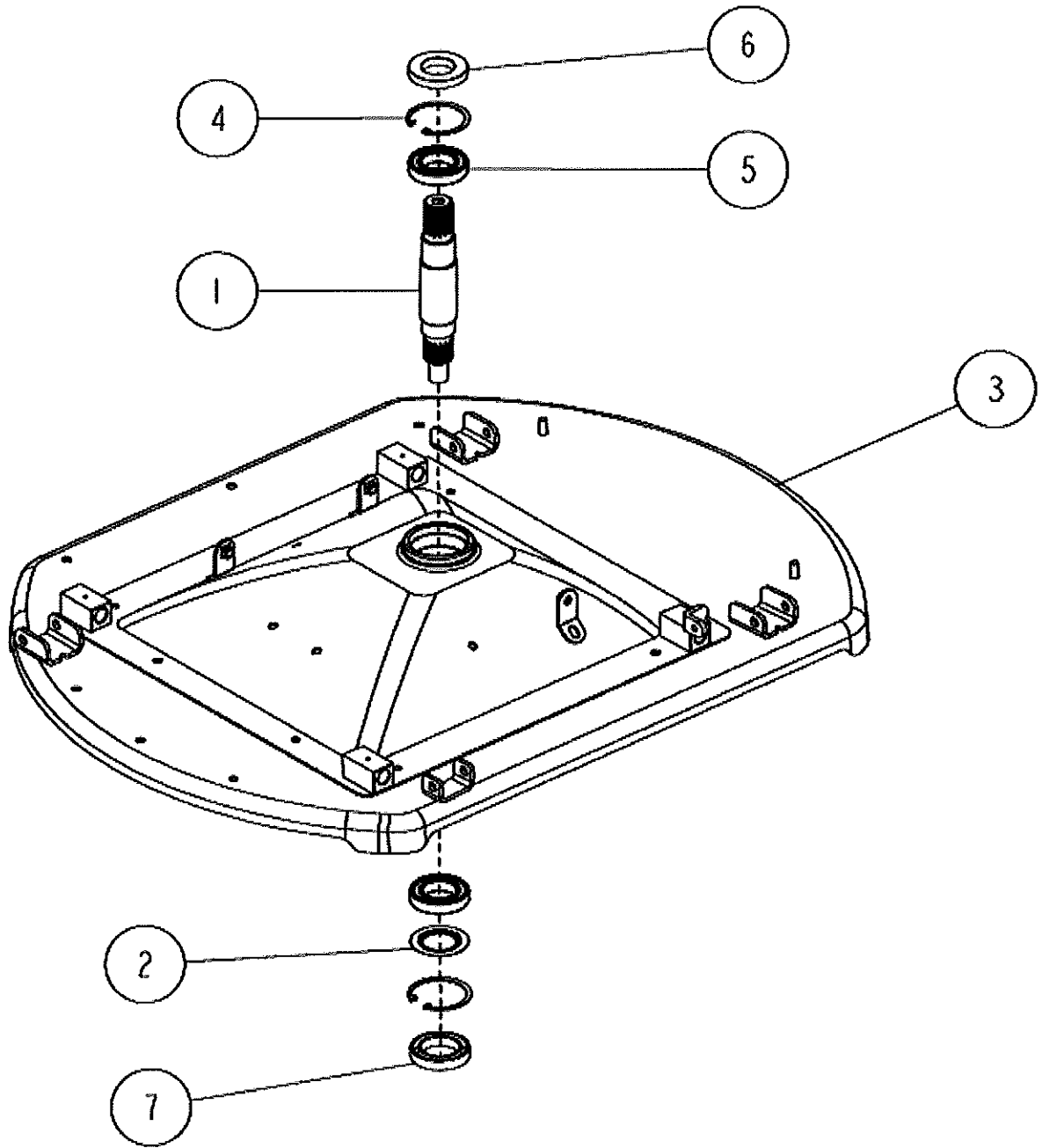
## PL01887

Rep	Réf ETESIA	F	D	E
1	27256	FREIN DE LAME	MESSERBREMSE	KNIFE BRAKE
2	27564	RESSORT DE RAPPEL	FEDER	SPRING
3	34754			
4	27314	COLLIER	LASCHE	HARNESS CLIP
5	27898	SUPP.PATIN FREIN	BREMSKLOTSHALTERUNG	BLADE BRAKE BRACKET
6	27415	RDLE 13X21X2,3	SCHEIBE 13X21X2,3	WASHER 13X21X2,3
7	27894	RDLE 13X22X1	SCHEIBE 13X22X1	WASHER 13X22X1
8	34302	VIS M6X15	SCHRAUBE M6X15	SCREW M6X15
9	34309	VIS EMBASE M8X20	SCHRAUBE M8X20	SCREW M8X20
10	27428	ANNEAU TRUARC 10	SEEGERING 10	E TYPE RING 10
11	27520	BAGUE	B3CHSE DU MB 122ODV	BUSH MB 122 ODV



## PL01888

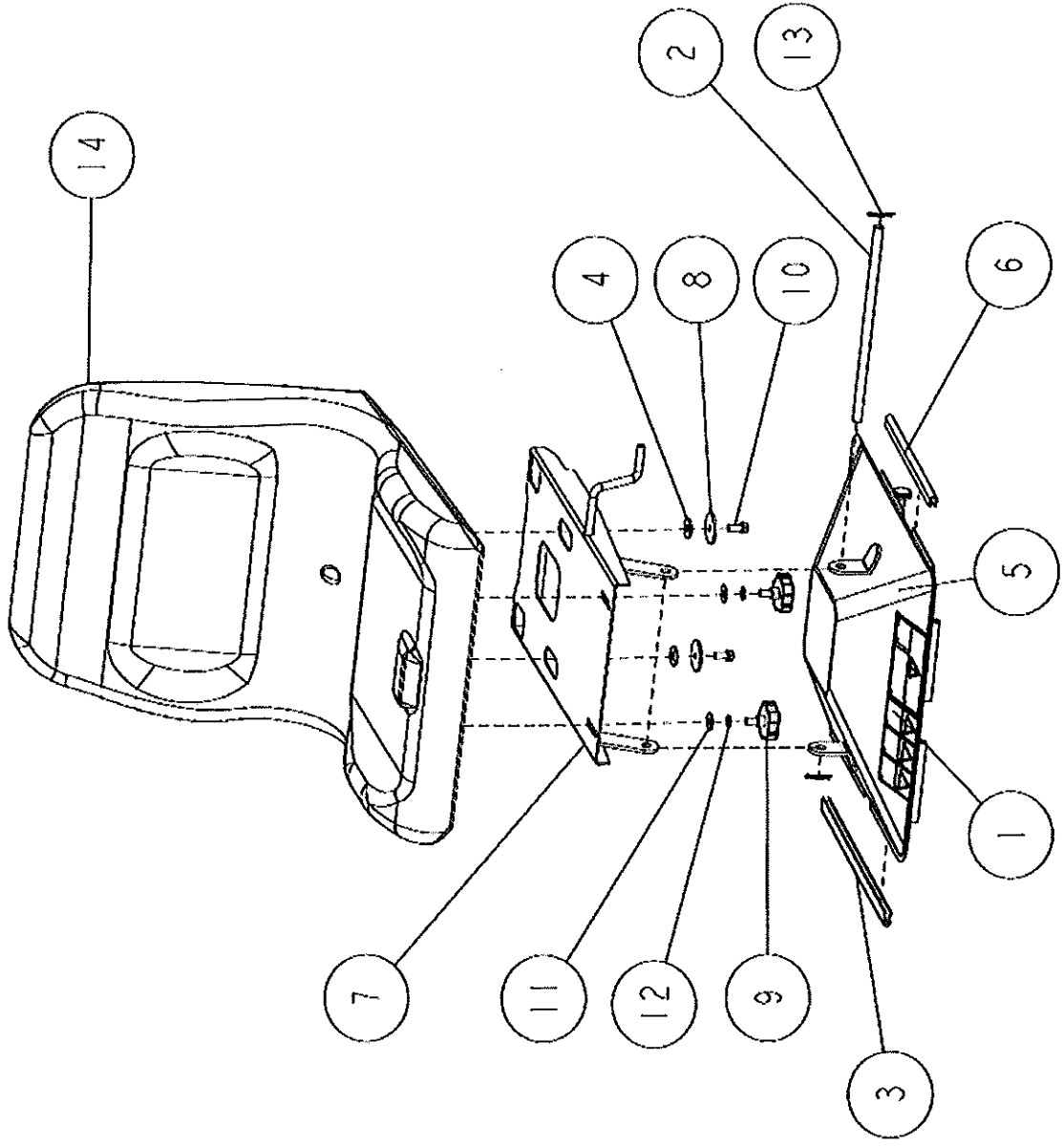
Rep	Réf ETESIA	F	D	E
1	27266	ENTRETOISE	B&SCHSE	KNIFE COLLAR
2	27543	KIT FIXATION MC85	BEFESTIG. KIT MC85	FIXING KIT MC85
3	27332	CORPS DE LAME	MESSERBALKEN	BLADE BODY
4	MC85	JEU AILETTES	FL&GELMESSER ATTILA	SWING TIP KIT
5	27400	POULIE ENTRAIN.LAME	MESSERSCHEIBE	KNIFE PULLEY
6	34109	RONDELLE 12X40X6	SCHEIBE 12X40X6	WASHER 12X40X6
7	34110	VIS HM12X35	SCHRAUBE HM12X35	SCREW HM12X35
8	27582	ACCOUPLLEMENT	MESSERFLANSCH 88	BLADE COUPLING 88
10	34194	BOL DE PROTECTION	SCHUTZ	PROTECTION
12	27409	VIS HM 12 X 30	SECHSKANTSCH.M12X30	SCREW M12X30
13	34292	ECROU FREIN M20	STOPMUTTER M20	STOP NUT M20
14	27353	RDLE GROWER 12	FEDERSCHEIBE A12	SPRING WASHER A12
15	27408	RONDELLE GROWER 20	FEDERSCHEIBE 20	SPRING WASHER 20





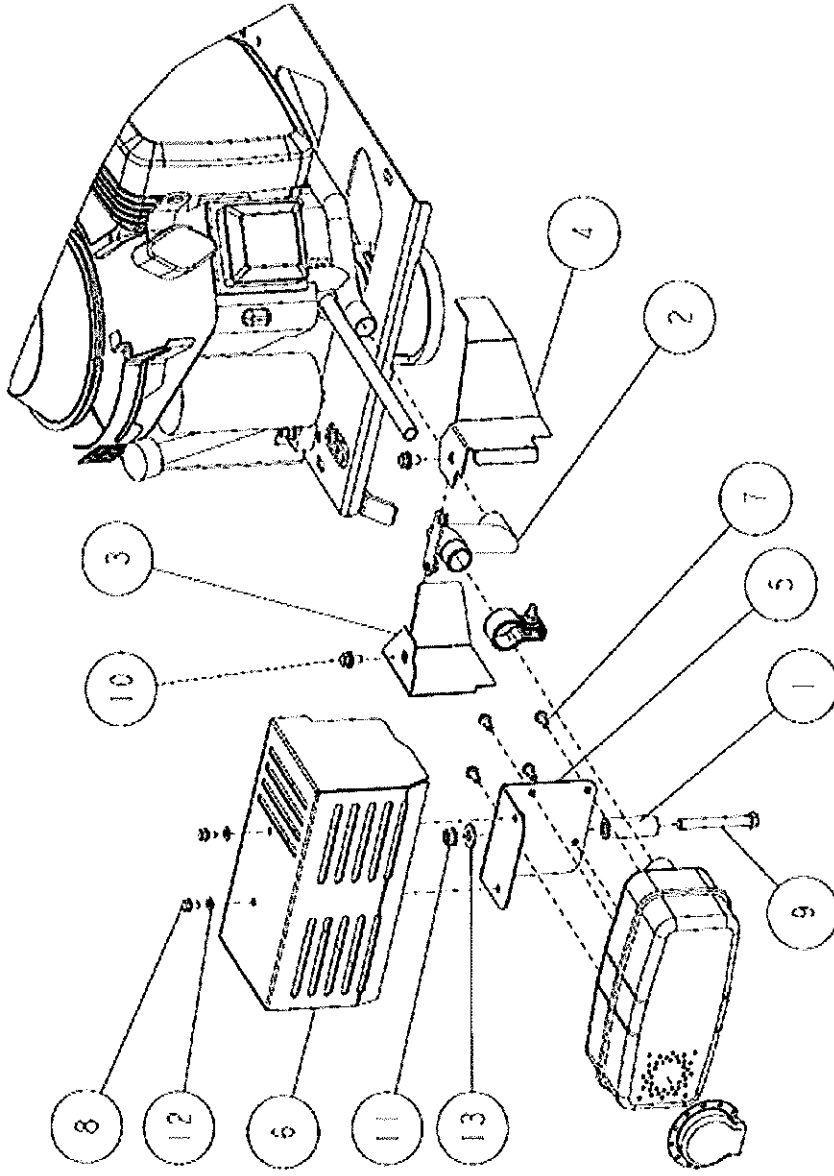
## PLO1889

Rep	Réf ETESIA	F	D	E
1	27573	AXE DE LAME	MESSERWELLE	BLADE SHAFT
2	27565	CACHE POUSSIERE	STAUBDECKEL	DUST COVER
3	34718			
4	27397	CIRCLIPS 62	SEEGERING 62	SNAP RING 62
5	24832	RLT 6007-2RS1	KUGELLAGER 6007-2RS	BEARING 6007-2RS1
6	27254	JOINT UE 35.62.10	DICHTUNG UE35.62.10	OIL SEAL UE35.62.10
7	27255	JOINT AP 40.62.12	DICHTUNG AP40.62.12	OIL SEAL AP40.62.12



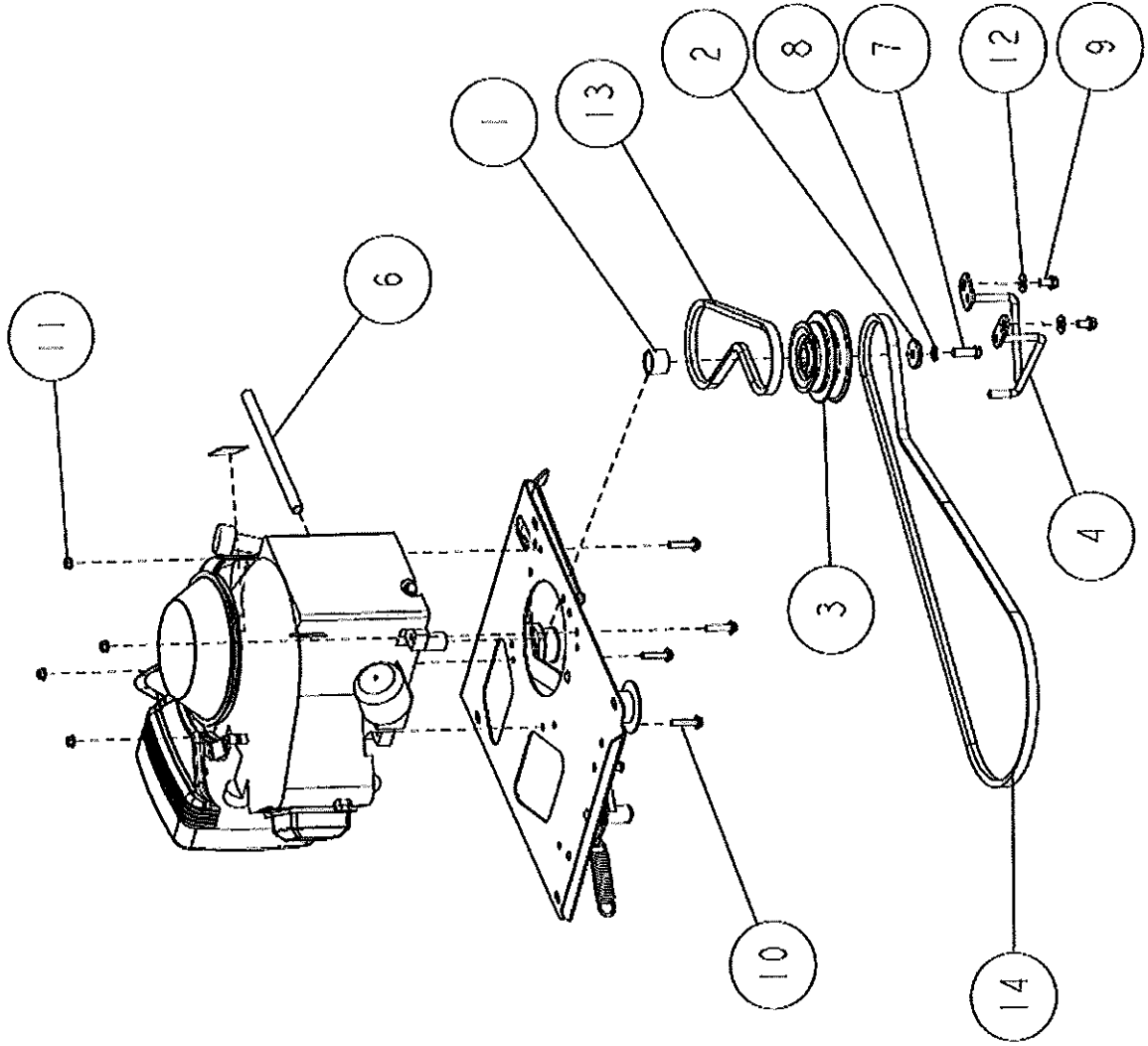
## PL01890

Rep	Réf ETESIA	F	D	E
1	36959	ETIQ.AVERTISSEMENT	AUFKLEBER	STICKER
2	27321	AXE D'ARTICULATION	WELLE	SHAFT
3	27719	PROTECTION 15X350	SCHUTZ 15X350	TRIM 15X350
4	27908	RONDELLE 9X25X3,2	SCHEIBE 9X25X3,2	WASHER 9X25X3,2
5	34711			
6	27719	PROTECTION 15X350	SCHUTZ 15X350	TRIM 15X350
7	34736			
8	27909	RONDELLE 8X40X2,3	SCHEIBE 8X40X2,3	WASHER 8X40X2,3
9	27907	BOUTON 8X25	KNOPF 8X25	KNOB BOLT 8X25
10	27446	VIS HM8X20 + GROWER	SCHRAUB.8X20+SCHEIB	SCREW 8X20 + WASHER
11	7335	RDLE PL.A 8,4DIN12	SCHEIBE A 8,4	WASHER
12	15848	RDLE GROWER	FEDERRING	SPRING WASHER
13	27566	GOUILLE BETA 12	STIFT 12	SNAP RING 12
14	30691	SIEGE	SITZ	SEAT



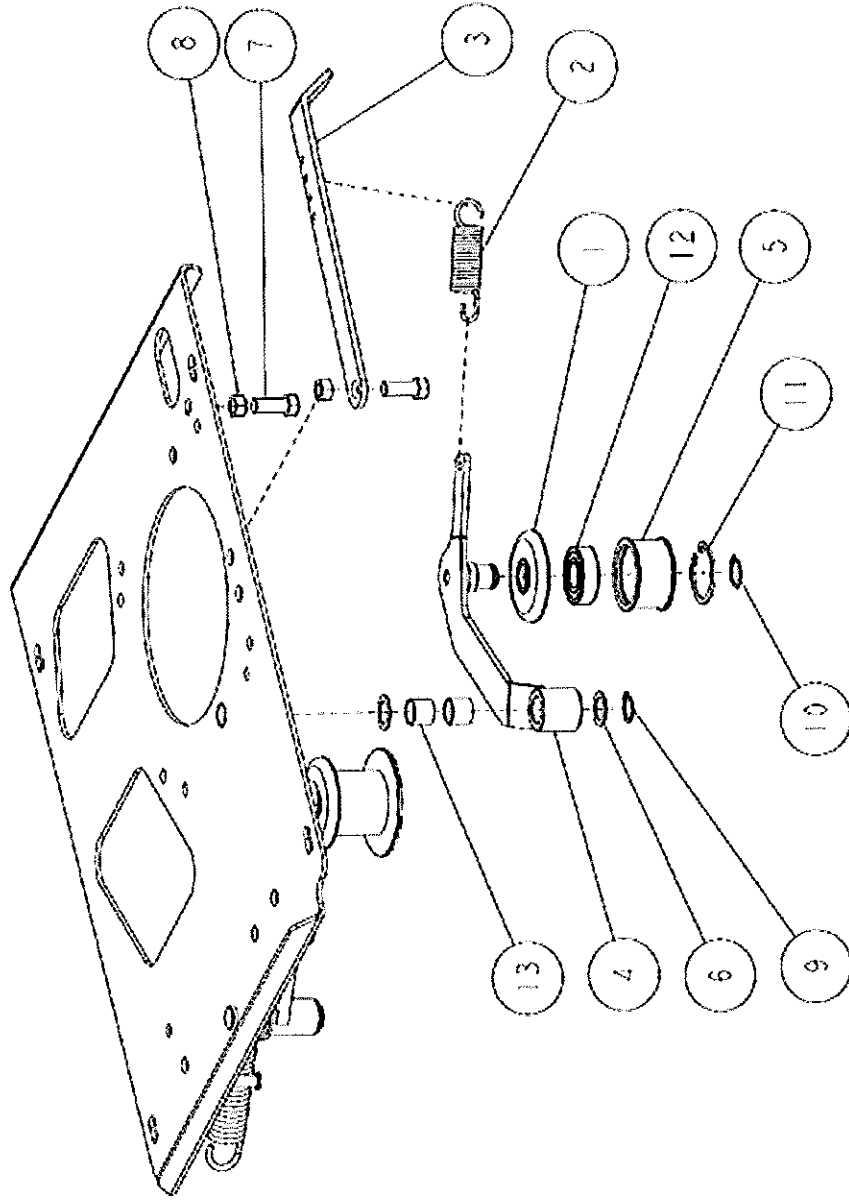
## PLO1891

Rep	Réf ETESIA	F	D	E
1	34724			
2	34738			
3	34699			
4	34700			
5	34739			
6	34740			
7	34756			
8	71255	VIS TH M6X14 DIN933	SCHRAUBE TH M6X14	SCREW TH M6X14
9	36488	VIS H M10-85,8,8	SCHRAUBE M10-85,8,8	SCREW M10-85,8,8
10	34308	VIS M8X16	SCHRAUBE M8X16	SCREW M8X16
11	71374	ECROU H M10 BORGNE	HUTMUTTER M10	CAP NUT M10
12	34318	RONDELLE 6	SCHEIBE 6	WASHER 6
13	34323	RONDELLE 10	SCHEIBE 10	WASHER 10



## PL01892

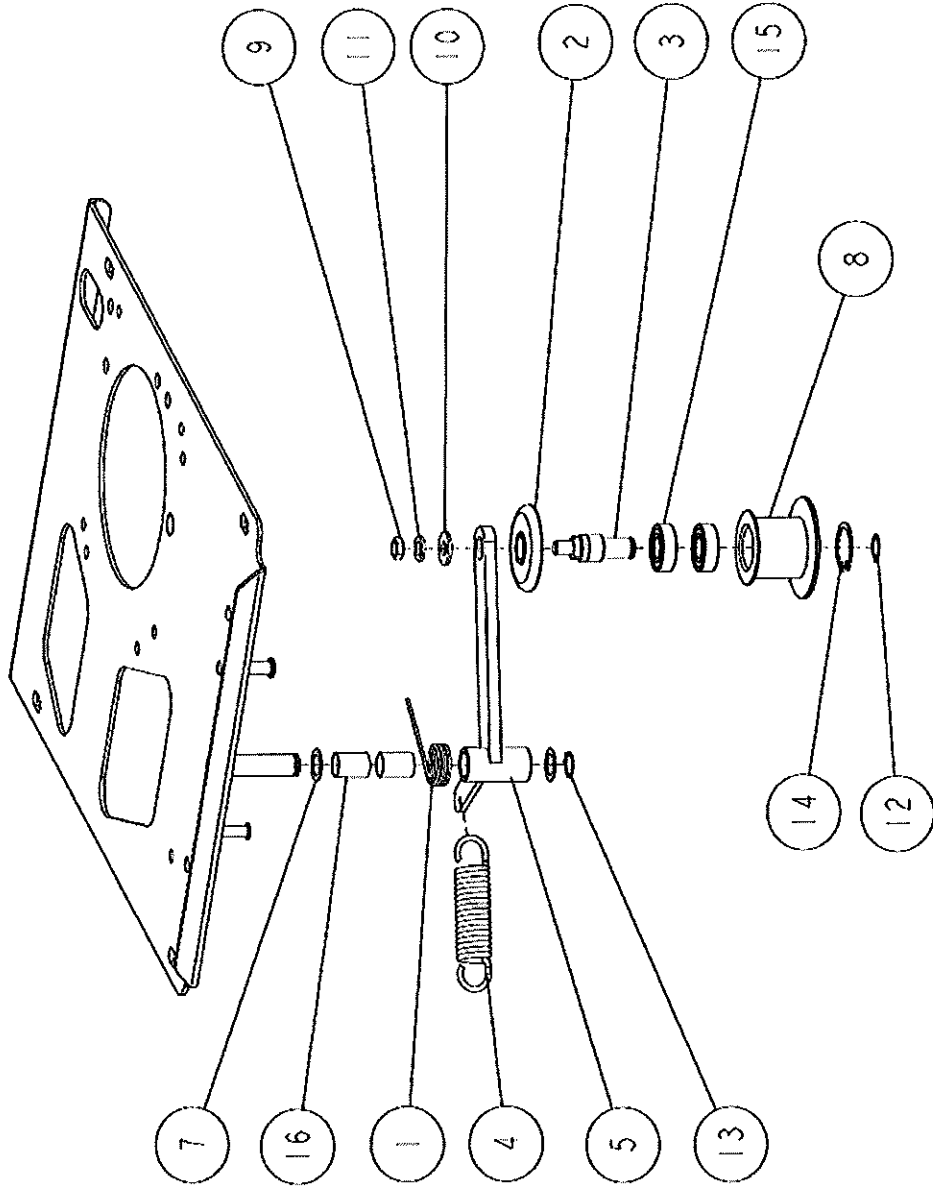
Rep	Réf ETESIA	F	D	E
1	27228	ENTRETOISE MOT.26	MOTORBÜCHSE	ENGINE COLLAR 26
2	27713	RONDELLE 11X40X6	UNTERLEGSSCHEIBE	WASHER 11X40X6
3	27669	POULIE MOTEUR	MOTORSCHLEIBE	ENGINE PULLEY
4	27671	GUIDE COURROIE	RIEMENFÜHRUNG MOTOR	BLADE BELT STOPPER
6	34694	SUPPORT ARR.DROIT	HINT.RECHTE HALTERG	REAR RIGHT BRACKET
7	34755			
8	34297	RONDELLE 7/16	SCHEIBE 7/16	WASHER 7/16
9	27323	VIS HM10X20 + GROWE	SECHSK.SCHR.HM10X20	HEX.S.HM10X20+SPRIN
10	27351	VIS HM8X40 + GROWER	SECHSKANTSCHR.M8X40	HEX.SCREW M8X40+SPR
11	34315	ECROU A EMBASE 8	MUTTER 8	NUT 8
12	34323	RONDELLE 10	SCHEIBE 10	WASHER 10
13	34752			
14	34753			





## PL01893

Rep	Réf ETESIA	F	D	E
1	27226	CACHE CAOUTCHOUC	GUMMI-SCHUTZ 58	RUBBER COVER 58
2	27222	RESSORT DE TENSION	SPANNFEDER	TENS.SPRING
3	27687	BRAS RESS.TENSION	SPANNFEDERARM	DRIVE TENSION ARM
4	27962	BRAS TENDEUR	SPANNARM	DRIVE TENSION ARM
5	34717			
6	27364	RONDELLE 16X24X1,0	SCHEIBE 16X24X1,0	WASHER 16X24X1
7	70086	VIS H M10X25 DIN933	SECHSKANTSCHRAUBE H	HEXAGON SCREW,DIN 9
8	71158	ECROU HH M10,8	SECHSKANTSCHR. M10	HEXAGONAL NUT HM10
9	27365	CIRCLIPS 16	SEEGERING 16	SNAP RING 16
10	27376	CIRCLIPS 17	SEEGERING 17	SNAP RING 17
11	27374	CIRCLIPS INT. 40	SEEGERING 40	SNAP RING 40
12	6058	RLT 6203 2RS	KUGELLAGER 6203 2RS	BEARING 62032RS
13	34343	BAGUE 16-15 DU	BÖCHSE 16-15 DU	BUSH 16-15 DU



## PL01894

Rep	Réf ETESIA	F	D	E
1	27331	RONDELLE 16X26X2,3	SCHEIBE 16X26X2,3	WASHER 16X26X2,3
2	27226	CACHE CAOUTCHOUC	GUMMI-SCHUTZ 58	RUBBER COVER 58
3	34100	AXE POULIE TENDEUR	SPANNROLLEWELLE	TENSIO.PULLEY SHAFT
4	34102	RESSORT	FEDER	SPRING
5	34716			
7	27364	RONDELLE 16X24X1,0	SCHEIBE 16X24X1,0	WASHER 16X24X1
8	27227	POULIE TENDEUR	SPANNSCHEIBE	KNIF.TENS.PULLEY
9	34317	ECROU A EMBASE 10	MUTTER 10	NUT 10
10	34323	RONDELLE 10	SCHEIBE 10	WASHER 10
11	2244	RDLE GROWER A10	FEDERSCHEIBE A10	WASHER A10
12	34339	CIRCLIPS 15	SEEGERING 15	CIRCLIP 15
13	27365	CIRCLIPS 16	SEEGERING 16	SNAP RING 16
14	71039	CIRCL.INT.35X1,5	SEEGERING 35X1,5	CIRCLIP,DIN 427 35X
15	25112	RLT A BILLES 6202	KUGELLAGER 6202	BALL BEARING,6202 5
16	27612	BAGUE 16-25	DU BÛCHSE 16-25	DU BUSH 16-25