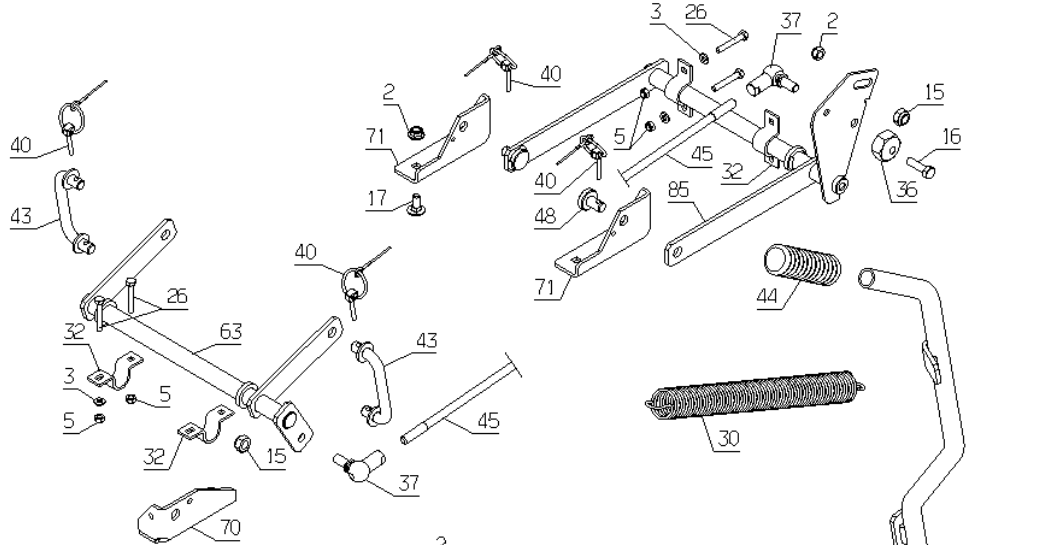
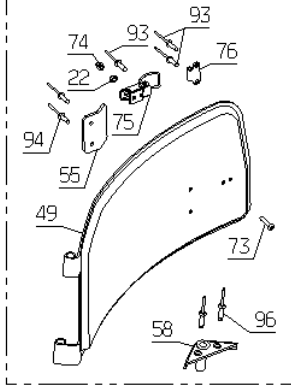
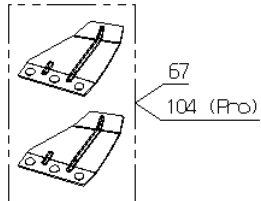
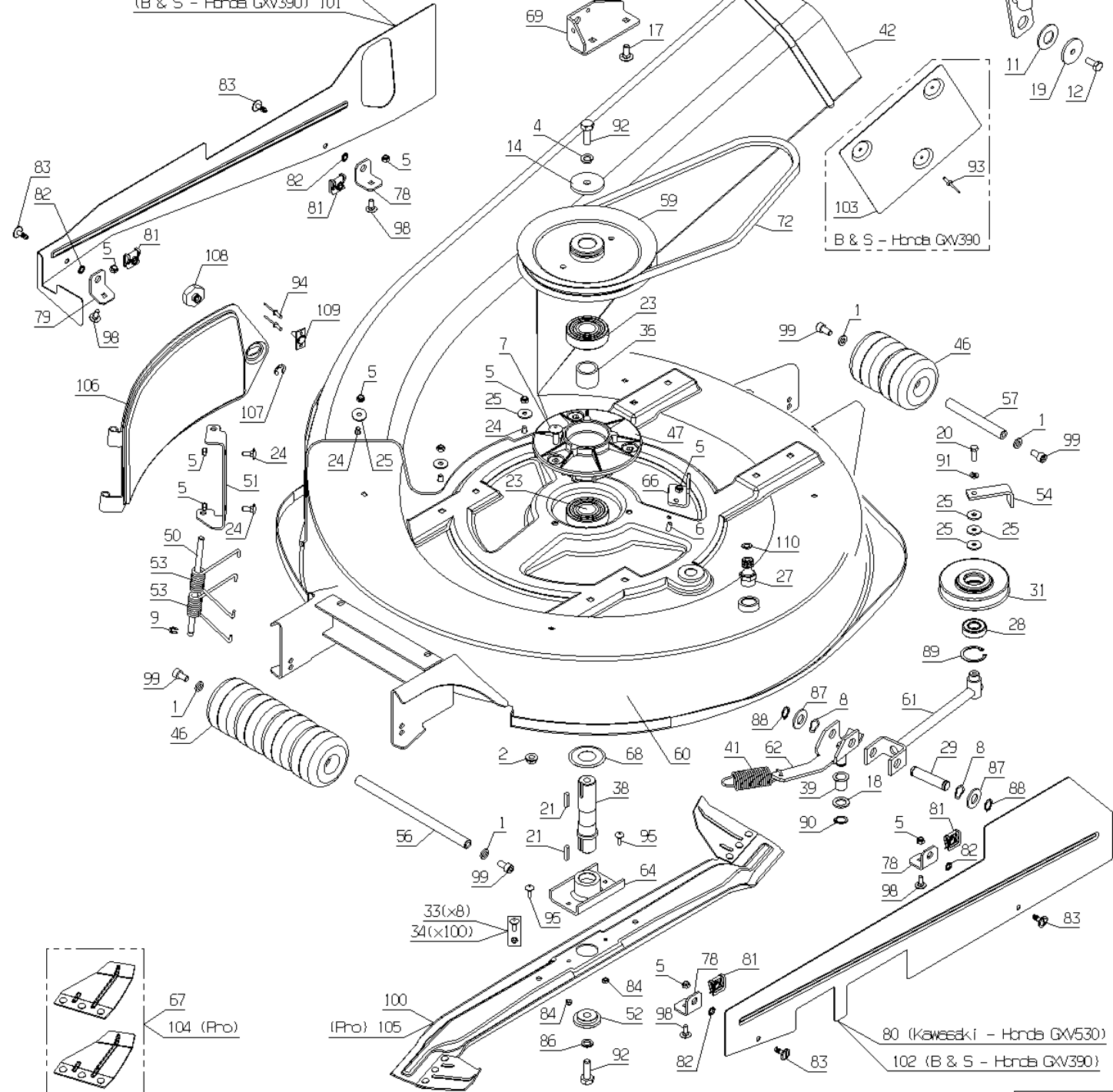


MKHP3

155082→161214



(Kawasaki - Honda GXV530) 77
(B & S - Honda GXV390) 101



80 (Kawasaki - Honda GXV530)
102 (B & S - Honda GXV390)

PL01503

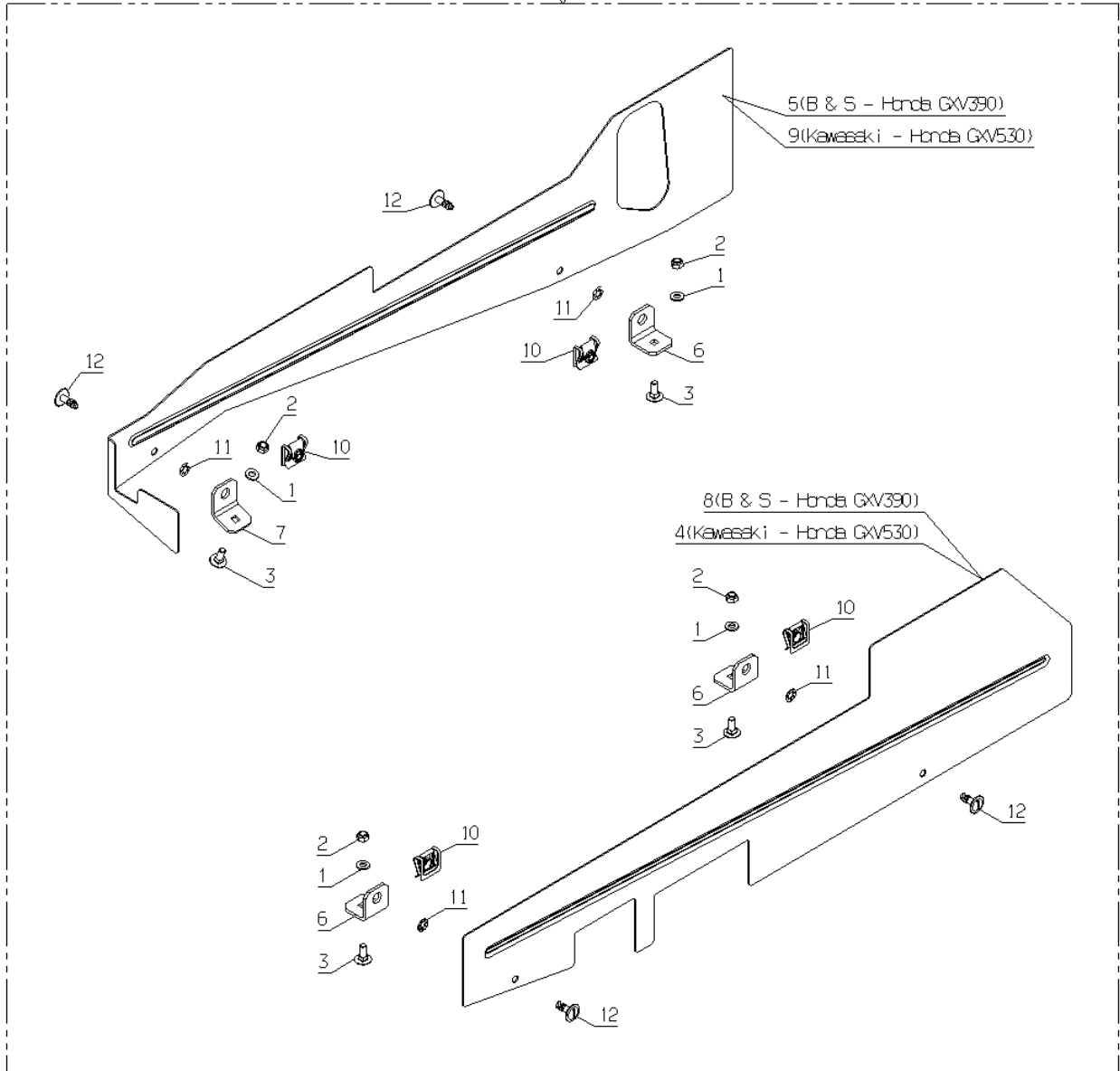
| Rep | Réf ETESIA | F | D | E |
|-----|---------------|---------------------|----------------------|---------------------|
| 1 | 2017 | RDLE EVENT.A8,2 679 | FAECHERSCHEIBE A8.2 | SERRATED LOCK WASHE |
| 2 | 27507 | ECROU AUTOBLOQ.M8 | STOPMUTTER M8 | U NUT FLANGE M8 |
| 3 | 2235 | RDLE PL.A 6,4DIN12 | SCHEIBE A 6.4 | WASHER A6.4 |
| 4 | 2244 | RDLE GROWER A10 | FEDERSCHEIBE A10 | WASHER A10 |
| 5 | 5232 | ECR.AUTOFR.HM6 DIN | STOPMUTTER HM 6 DIN | SELF-LOCKING NUT |
| 6 | 5334 | VIS H M 6X16 DIN933 | SCHRAUBE HM6X16 | SCREW HM6X16 |
| 7 | 5347 | VIS J M 8X25 DIN603 | SCHRAUBE M8X25 | SCREW 8X25 |
| 8 | 5411 | RONDELLE | SCHEIBE | WASHER |
| 9 | 5602 | ANNEAUX TRUARCS | RING TRUARC | ANNEAUX TRUARCS |
| 11 | 7330 | RONDELLE BELLEVILLE | RING | WASHER |
| 12 | 7334 | VIS H M 8X20 DIN933 | SECHSKANTSCHRAUBE H | HEXAGON SCREW,DIN 9 |
| 14 | 7341 | RDLE PL.10,3X49X5 | SCHEIBE 10,3X49X5 | FLAT WASHER 10,3X49 |
| 15 | 9017 | ECR.AUTOFR.HM10 DIN | MUTTER HM10 DI | NUT HM10 |
| 16 | 9061 | VIS HM 8X30 | SCHRAUBE 8X30 | BOLT 8X30 |
| 17 | 9071 | VIS J M 8X20 DIN603 | SCHRAUBE M8X20 | SCREW M8X20 |
| 18 | 9166 | RDLE PL.15X24X2 | SCHEIBE 15X24X2 | WASHER 15X24X2 |
| 19 | 20021 | RONDELLE 8,5X40X4 | SCHEIBE 8,5X40X4 | WASHER 8,5X40X4 |
| 20 | 20507 | VIS HM 6 X 20 | SECHSKANT.HM 6X20 | BOLT HM 6X20 |
| 21 | 20602 | CLAVETTE 5X5X25 | KEIL 5X5X25 | KEY 5X5X25 |
| 22 | 21525 | ECR.AUTOFR.HM4 DIN | STOPMUTTER HM4 | NUT HM4 |
| 23 | 21553 | RLT A BILL.6305-2RS | KUGELLAGER 6305-2RS | BEARING 6305-2RS |
| 24 | 21608 | VIS JAPY M6X16 | SCHRAUBE M6X16 | SCREW 6X16 DIN |
| 25 | 22029 | RDLE PL.B 6,5DIN69 | BEILAGSCHEIBE B 6,5 | FLAT WASHER 6,5 |
| 26 | 22456 | VIS H M 6X40 | SCHRAUBE 6X40 | SCREW HM 6X40 |
| 27 | 39084 | COUPLEUR 1/2" | SCHLAUCH KOPPER1/2" | |
| 28 | 25112 | RLT A BILLES 6202 | KUGELLAGER 6202 | BALL BEARING,6202 S |
| 29 | 25126 | AXE BRAS TENDEUR | SPANNARM BOLZEN | BELT TIGHTENER ARM |
| 30 | 25425 | RESSORT DE COMPENSA | AUSGLEICHSFEDER | COMPENSATION SPRING |
| 31 | 25509 | POULIE TENDEUR DIAM | SPANNSCHEIBE P 90 | TENSIONING PULLEY |
| 32 | 25711 | CAVALIER | FUEHRUNGLAGER | STRAP |
| 33 | 26157 | JEU BOUL. CIS.8PCES | ABSCHERSCHRAUBE 8ST | SET OF 8 SHEARBOLTS |
| 34 | 26357 | 100 BOULONS CISAIL. | 100 ABSCHERSCHRAUBE | 100 SHEAR BOLTS |
| 35 | 28020 | ENTRET.PALIER LAME | WELLENLAGERHÖLZE | BLADE BEARING SPACR |
| 36 | 28040 | BUTEÉ HDC | ANSCHLAG H™HENVERST | CUTTING HEIGHT STOP |
| 37 | 28047 | ROTULE DE DIRECTION | KUGELGELENK M10 | STEER. KNUCKLE M10 |
| 38 | 28062 | AXE DE LAME | MESSERWELLE | BLADE SHAFT |
| 39 | 28070 | COUSSINET 15/17/20 | BÜCHSE 15/17/20 | SLEEVE |
| 40 | 28075 | GOUPIL.CLIPS CHAINE | FEDERSTECKER & KETTE | SAFETY PIN & CHAIN |
| 41 | 28076 | RESSORT TEND.TR.LAM | SPANNFEDER | TENSION SPRING |
| 42 | 39469 | CANAL D'EJECTION | AUSWURF KANAL | EJECTION CHANNEL |
| 43 | 28113 | TIGE INTER.HDC | ZWISCHENBOLZEN | INTERMEDIATE ROD |
| 44 | 28118 | POIGNEE LEV.HDC.VID | GRIFF | CUT.HEIGHT LEVER HA |
| 45 | 28119 | TIGE DE COMMANDE | STEUERGEStZNGE | ROD |
| 46 | 28123 | ROULEAU | ROLLE | ROLLER |
| 47 | 28171 | PALIER DE LAME | WELLENLAGER | BLADE BEARING |
| 48 | 28208 | AXE FIX.CARCASSE ZG | ACHSE | SHAFT |
| 49 | 28230 | TRAPPE DE VISITE | SCHAUKLAPPE | OBSERVATION FLAP |
| 50 | 28231 | AXE TRAPPE | ACHSE | FLAP SHAFT |
| 51 | 28233 | TOLE CHARNIERE | BLECHSCHARNIER | OBSERVAT.FLAP SUPP. |

| | | | | |
|-----|-------|---------------------|-------------------------------|---------------------|
| 52 | 28238 | ROND.FIXATION LAME | MESSERSCHEIBE | BLADE WASHER |
| 53 | 28245 | RESSORT DE TORSION | SCHAUKLAPPEFEDER | FLAP SPRING |
| 54 | 28284 | GUIDE COURROIE TEND | RIEMEN FUEHRER | BELT GUIDE |
| 55 | 28288 | POIGN.TRAPPE VISITE | SCHAUKLAPPEGRIF | FLAP HANDLE |
| 56 | 28315 | AXE ROULEAU AV.96 | ACHSE VORDERROLLE | FR.ROLLER SHAFT 96 |
| 57 | 28316 | AXE ROULEAU AR.96 | ACHSE HINTERROLLE | REAR ROLLER SHAFT96 |
| 58 | 28386 | GUIDAGE FIX.DEFLECT | DEFLEKTOR F&#xHRUNG | DEFLECTOR GUIDE |
| 59 | 28391 | POULIE D.190/D.206 | SCHEIBE D.190/D.206 | PULLEY D.190/D.206 |
| 60 | 28405 | CARCASSE NUE | HAUBE NACKT | CUTTING DECK NAKED |
| 61 | 28410 | BRAS TENDEUR | SPANNARM | BELT TIGHTENER ARM |
| 62 | 28411 | CHAPE TENDEUR | SPANNERGABEL | BELT TIGH.YOKE |
| 63 | 28419 | BRAS AVANT HDC | VORD.SCHWINGGABEL | CUTT.HEIGHT FR.ARM |
| 64 | 28420 | ACCOUPLLEMENT LAME | MESSERFLANSCH | BLADE COUPLING |
| 65 | 28429 | LEVIER HDC | H ^M HENVERST.HEBEL | CUTT. HEIGHT LEVER |
| 66 | 28448 | BUTEE | ANSCHLAG | STOP |
| 67 | 28489 | KIT AILETTE DE LAME | MESSERFL&#xGEL KIT | BLADE WING KIT |
| 68 | 28530 | RDLE DE PROTECTION | SCHUTZSCHEIBE | PROTECTION WASHER |
| 69 | 28720 | SUPPORT HDC AV.G | VOR.LINKS.HALTERUNG | FRONT LEFT BRACKET |
| 70 | 28721 | SUPPORT HDC AV.D | VOR.RECHT.HALTERUNG | FRONT RIGHT BRACKET |
| 71 | 28722 | SUPPORT HDC ARRIERE | HINTERE HALTERUNG | REAR BRACKET |
| 72 | 28729 | COURROIE 1207 MM | RIEMEN 1207 MM | BELT 1207 MM |
| 73 | 37072 | VIS B HC M4-20 10.9 | SCHRAUBE HC M4-20 | |
| 74 | 37073 | ECROU H FR BORGNE | MUTTER | |
| 75 | 37074 | GRENOUILLERE | VERSCHLUSSSCHNALLE | CLAMP |
| 76 | 37085 | CROCHET GRENOUILLER | KLAMMERHAKEN | CLAMP HOOK |
| 77 | 37487 | PROTECTEUR DR.KAWA | RECHTER SCHUTZ | |
| 78 | 37310 | TOLE FIXAT.PROTEC.G | LINK.SCHUTZ BEFEST. | |
| 79 | 37311 | TOLE FIX.PROT.AV.DR | SCHUTZ BEFESTIG.V.R | PROTECTION FIXING |
| 80 | 37307 | PROTECTEUR G.KAWA | LINKER SCHUTZ KAWA | |
| 81 | 37499 | RECEPTACLE 1/4 TOUR | SCHRAUBE 1/4 UMDREH | 1/4 ROTATION SCREW |
| 82 | 37500 | RONDELLE 1/4 TOUR | 1/4 UMDREH SCHEIBE | 1/4 ROTATION WASHER |
| 83 | 37501 | VERROU 1/4 TOUR | 1/4 UMDREH.VERRIEGE | 1/4 ROTATION LOCK |
| 84 | 37561 | ECROU H FR M5,10 | MUTTER M5,10 | NUT |
| 85 | 37618 | BRAS ARRIERE HDC | HINTERER ARM | REAR ARM |
| 86 | 37665 | RDLE NL10 NORD-LOCK | SCHEIBE | |
| 87 | 71034 | RDLE PL. M14 U | SCHEIBE M14 U NFE 2 | FLAT WASHER NFE 276 |
| 88 | 71036 | CIRCL.EXT.14X1 | SEEGERING 14X1 DIN | DIN 471 14X1 EXT. C |
| 89 | 71039 | CIRCL.INT.35X1,5 | SEEGERING 35X1,5 | CIRCLIP,DIN 427 35X |
| 90 | 71047 | CIRCL.EXT. 15X1 | SEEGERING 15X1 | CIRCLIP DIN 471 15X |
| 91 | 71049 | RDLE GROWER A6 | FEDERING A6 DIN 12 | SPRING WASHER,DIN 1 |
| 92 | 71110 | VIS HM 10X30 | SECHSKANTSCHRAUBE H | HEXAGON SCREW,DIN 9 |
| 93 | 71113 | RIVET CLOUS DIAM.4X | NIETE 4X14,8 (ALU) | NAIL RIVET, DIA. 4X |
| 94 | 71114 | RIVET CLOUS DIAM.4X | NIETE 4X12 (ALU) | ALUMINUM NAIL RIVET |
| 95 | 71231 | VIS JM5-16,12.9 | SCHRAUBE JM5-16 | SCREW JM5-16 |
| 96 | 71327 | RIVET ALU 4X21 | NIETE 4X21 | NAIL RIVET 4X21 |
| 98 | 71361 | VIS RL X M6-16 | SCHRAUB.RL X M6X16 | SCREW RL X M6X16 |
| 99 | 71372 | VIS CHC M8-16,8.8 | IMBUSSCHRAUBE M8X16 | IN.HEX.SCREW M8X16 |
| 100 | MZ80E | -> MZ80 -> 306 | -> MZ80 -> 306 | -> MZ80 -> 306 |
| 101 | 37308 | PROTECTEUR DROIT | RECHTER SCHUTZ | |
| 102 | 37486 | PROTECTEUR GAUCHE | LINKER SCHUTZ | LEFT PROTECTION |
| 103 | 28504 | TOLE DE PROTECTION | SCHUTZBLECH | PROTECTION GUARD |
| 104 | 28791 | KIT AILETTE MZ80P | MESSERFL&#xGEL KIT80P | BLADE WING KIT 80P |
| 105 | MZ80P | LAME POUR HYDRO 80 | MESSER F&#xR HYDRO 80 | BLADE FOR HYDRO 80 |
| 106 | 50619 | | | |
| 107 | 1559 | ANNEAU TRUARC 10 | RING TRUARC 10 | |
| 108 | 50634 | | | |

| | | | | |
|-----|-------|---------------------|--------------------|--------------------|
| 109 | 50672 | | | |
| 110 | 28762 | JOINT TOR.10,77X2,6 | DICHTUNG 10,77X2,6 | GASKET 10,77 X 2,6 |

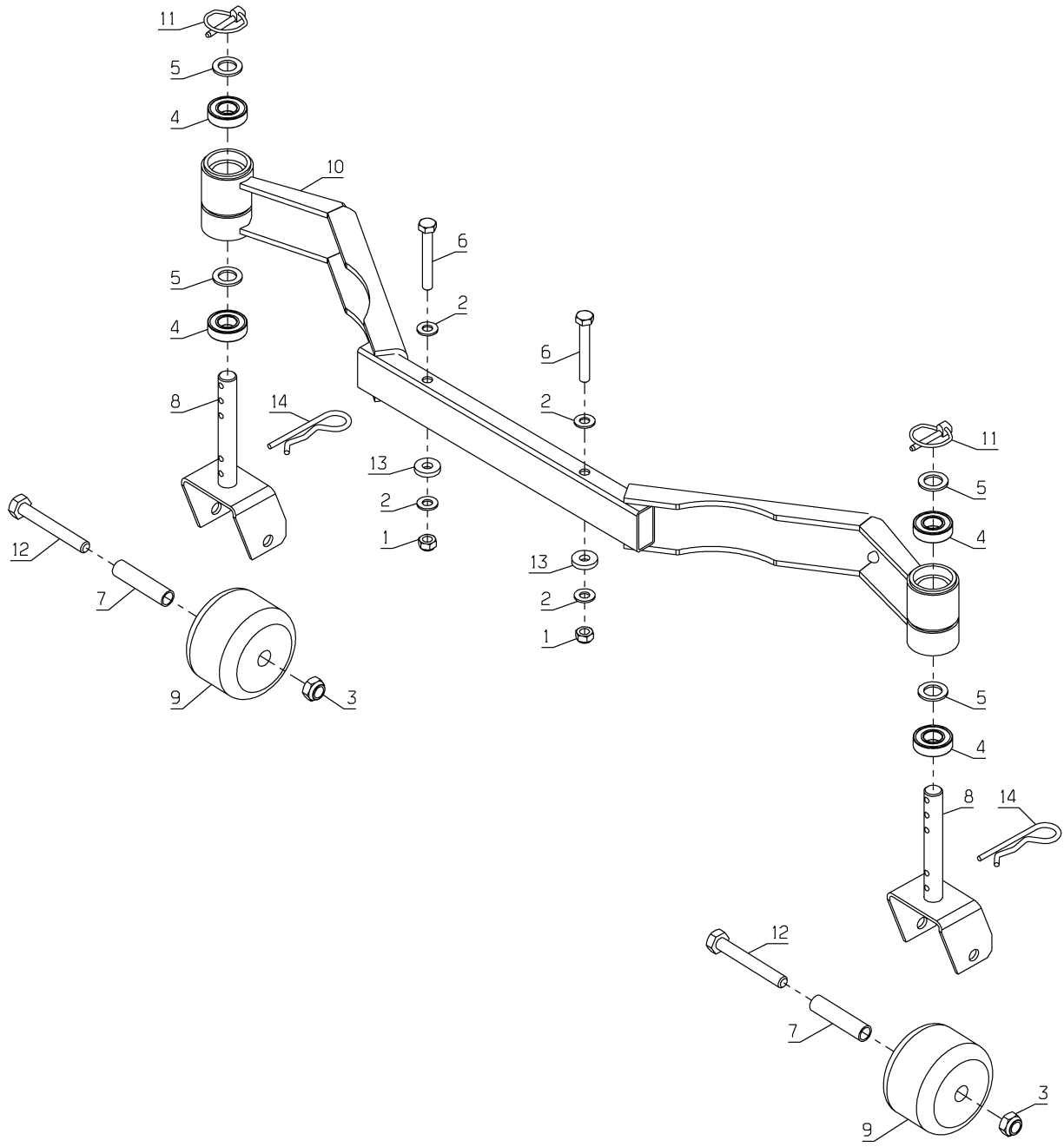
(B & S - Honda GXV390) 13

14(Kawasaki - Honda GXV530)



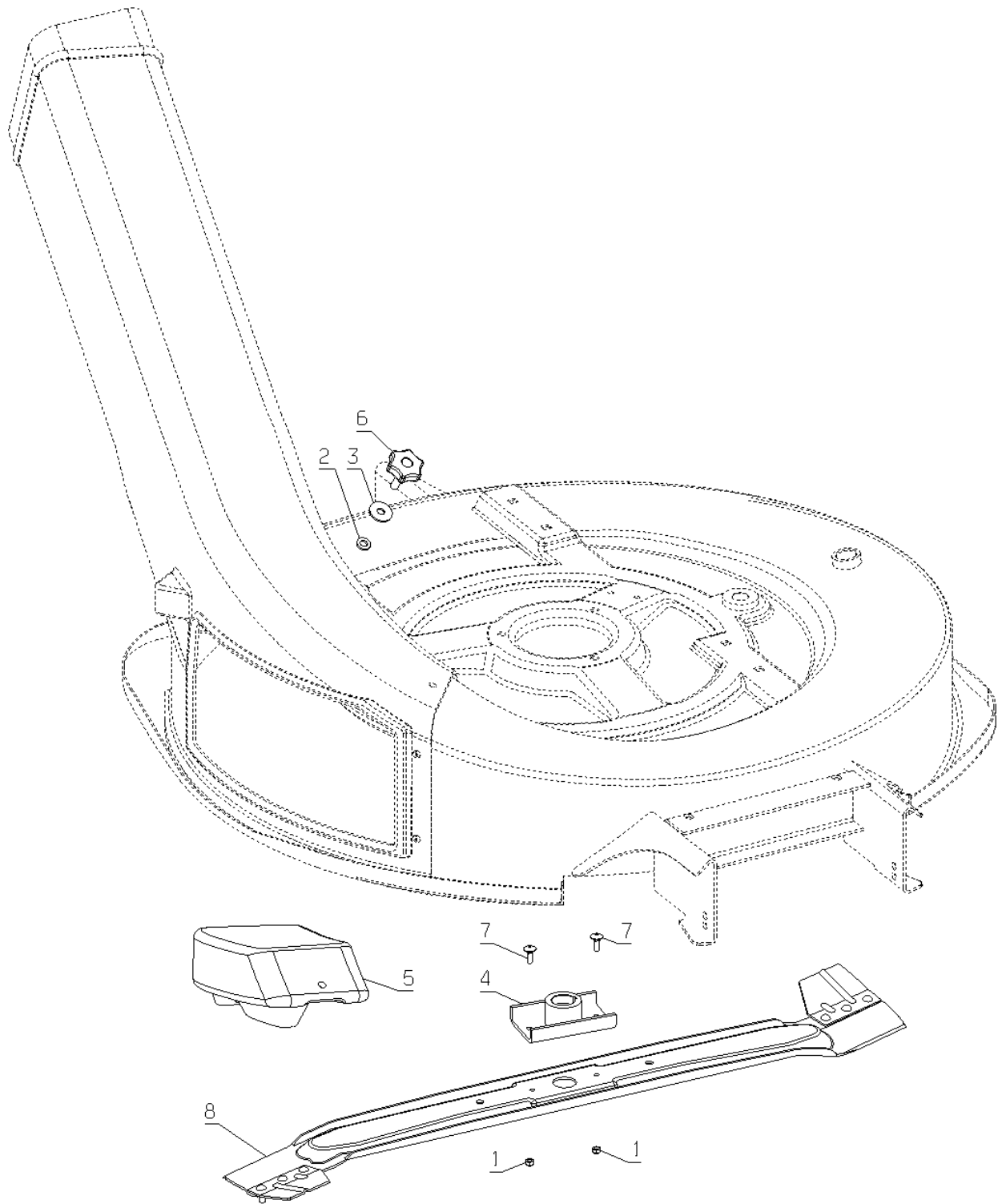
PL01551

| Rep | Réf ETESIA | F | D | E |
|-----|---------------|---------------------|---------------------|---------------------|
| 1 | 2235 | RDLE PL.A 6,4DIN12 | SCHEIBE A 6.4 | WASHER A6.4 |
| 2 | 5232 | ECR.AUTOFR.HM6 DIN | STOPMUTTER HM 6 DIN | SELF-LOCKING NUT |
| 3 | 21608 | VIS JAPY M6X16 | SCHRAUBE M6X16 | SCREW 6X16 DIN |
| 4 | 37307 | PROTECTEUR G.KAWA | LINKER SCHUTZ KAWA | |
| 5 | 37308 | PROTECTEUR DROIT | RECHTER SCHUTZ | |
| 6 | 37310 | TOLE FIXAT.PROTEC.G | LINK.SCHUTZ BEFEST. | |
| 7 | 37311 | TOLE FIX.PROT.AV.DR | SCHUTZ BEFESTIG.V.R | PROTECTION FIXING |
| 8 | 37486 | PROTECTEUR GAUCHE | LINKER SCHUTZ | LEFT PROTECTION |
| 9 | 37487 | PROTECTEUR DR.KAWA | RECHTER SCHUTZ | |
| 10 | 37499 | RECEPTACLE 1/4 TOUR | SCHRAUBE 1/4 UMDREH | 1/4 ROTATION SCREW |
| 11 | 37500 | RONDELLE 1/4 TOUR | 1/4 UMDREH SCHEIBE | 1/4 ROTATION WASHER |
| 12 | 37501 | VERROU 1/4 TOUR | 1/4 UMDREH.VERRIEGE | 1/4 ROTATION LOCK |
| 13 | 37550 | KIT CONFOR.ELTS MOB | MOB.ELEM.NORM.KIT | |
| 14 | 37551 | KIT CONFOR.ELTS.MOB | MOB.ELEM.NORM.KIT.K | MOB.ELEM.NORM.KIT.K |



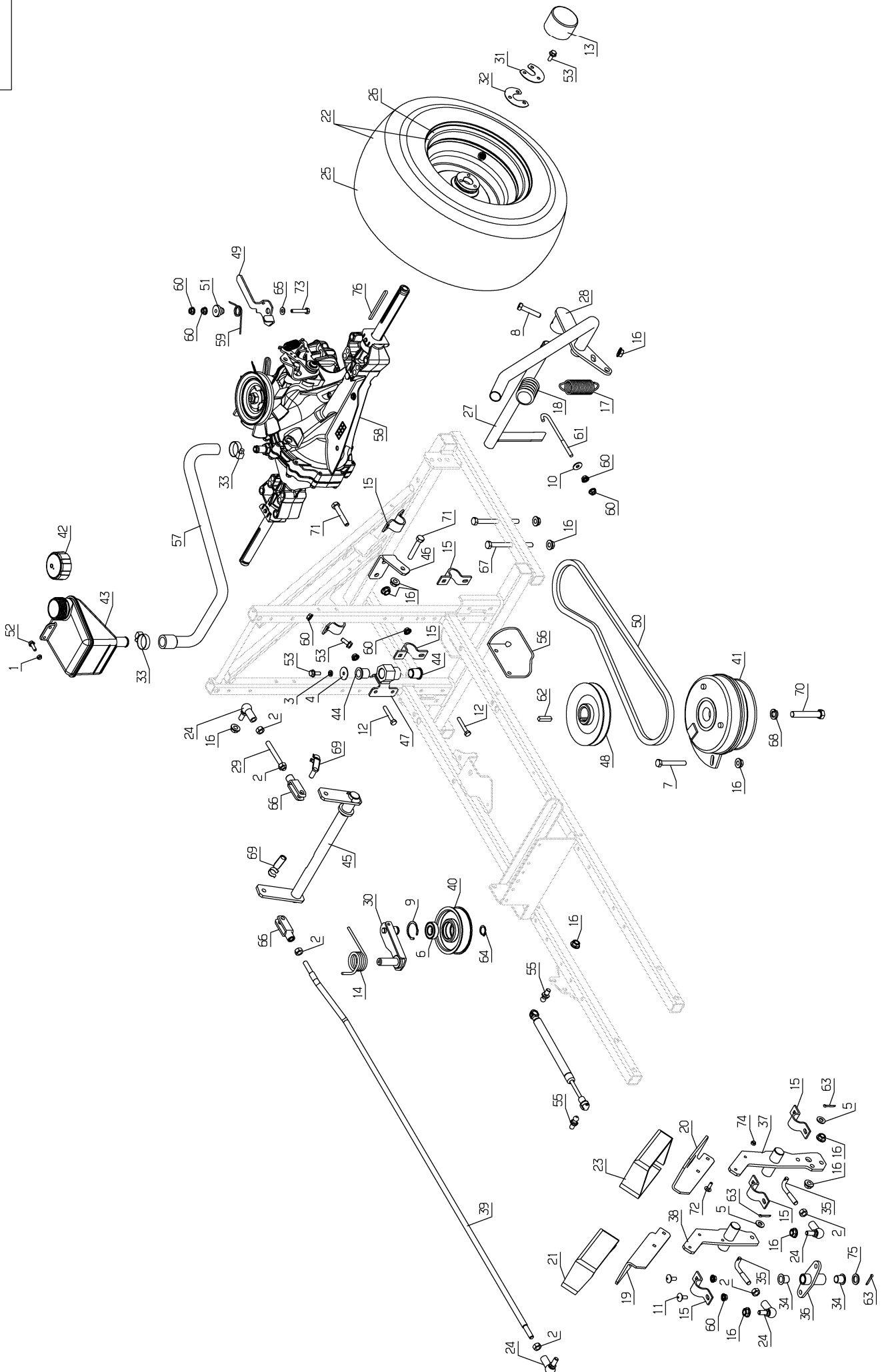
PL01542

| Rep | Réf ETESIA | | | |
|-----|---------------|---------------------|---------------------|---------------------|
| 1 | 2021 | ECR.AUTOFR.HM8 DIN | STOPMUTTER HM 8 DIN | NUT HM8 |
| 2 | 7335 | RDLE PL.A 8,4DIN12 | SCHEIBE A 8,4 | WASHER |
| 3 | 9017 | ECR.AUTOFR.HM10 DIN | MUTTER HM10 DI | NUT HM10 |
| 4 | 9022 | ROULEMENT A BILLES | KUGELLAGER 6002 2RS | BALL BEARING 6002 |
| 5 | 9166 | RDLE PL.15X24X2 | SCHEIBE 15X24X2 | WASHER 15X24X2 |
| 6 | 20513 | VIS H M 8X60 DIN933 | SECHSKANTSCHRAUBE H | SCREW,DIN 933 H M 8 |
| 7 | 28333 | ENTRETOISE ROULEAU | ROLLERBÜCHSE | ROLLER SPACER |
| 8 | 28437 | CHAPE ROULEAU | ROLLENGABEL | ROLLER HOLDER |
| 9 | 28742 | ROULEAU | ROLLE | ROLLER |
| 10 | 28747 | SUPP. ANTI-SCALP | ANTI-SCALP HALTERG | ANTI-SCALP BRACKET |
| 11 | 71005 | | | |
| 12 | 71032 | | | |
| 13 | 71126 | | | |
| 14 | 71228 | | | |



PL01316

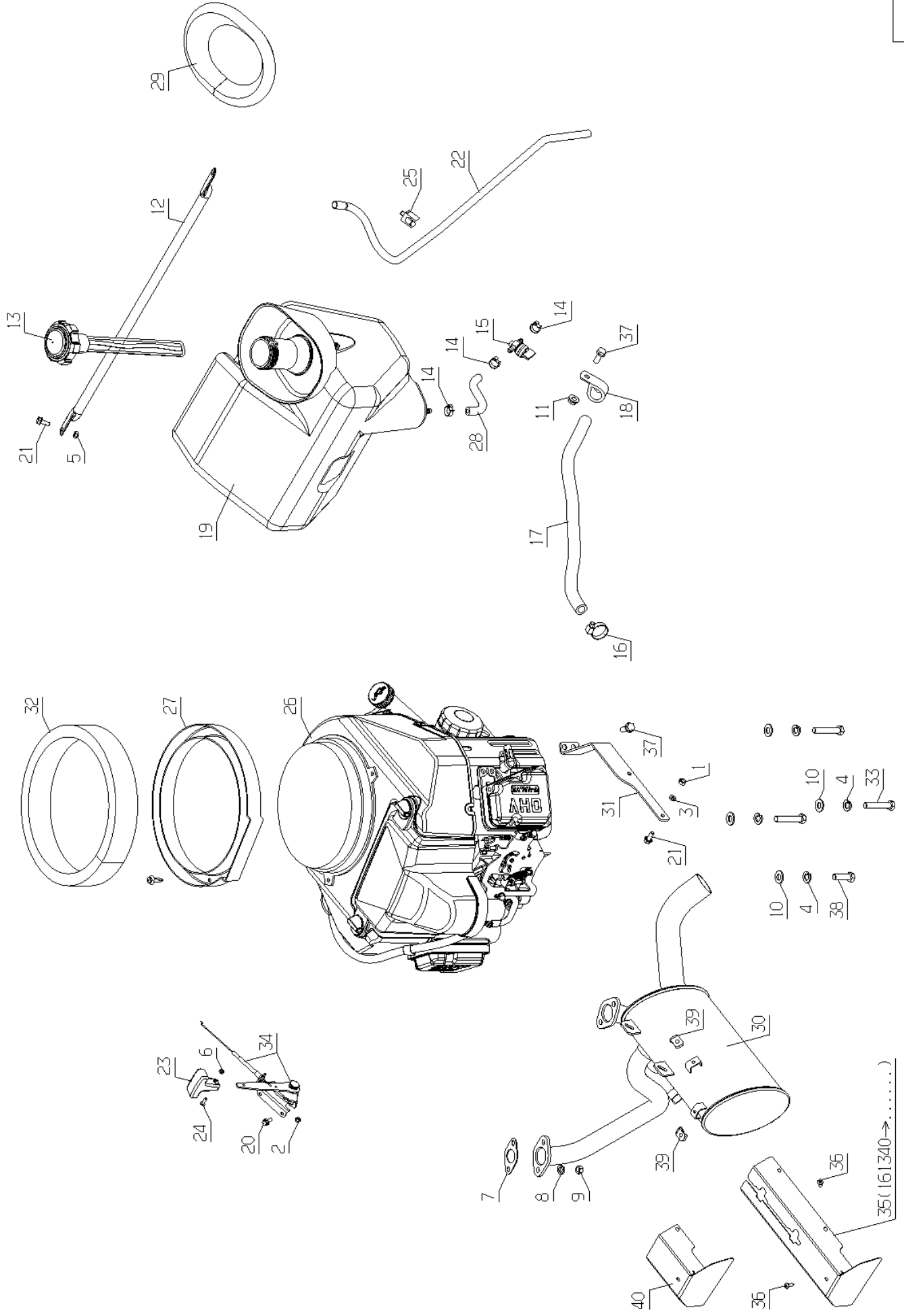
| Rep | Réf ETESIA | F | D | E |
|-----|---------------|---------------------|---------------------|---------------------|
| 1 | 37561 | ECROU H FR M5,10 | MUTTER M5,10 | NUT |
| 2 | 2017 | RDLE EVENT.A8,2 679 | FAECHERSCHEIBE A8.2 | SERRATED LOCK WASHE |
| 3 | 7035 | RDLE PL.B 8,4DIN90 | BEILAGSCHEIBE B8,4 | FLAT WASHER |
| 4 | 28420 | ACCOUPLMENT LAME | MESSERFLANSCH | BLADE COUPLING |
| 5 | 35936 | INSERT MULCHING | MULCHING STOPFEN | |
| 6 | 36152 | BOUTON DE MANOEUVRE | KNOPF | BUTTON |
| 7 | 71231 | VIS JM5-16,12.9 | SCHRAUBE JM5-16 | SCREW JM5-16 |
| 8 | MZ80M | LAME POUR MU80 | MESSER FÜR MU80 | BLADES FOR MULCHING |



PLO2046

| Rep | Réf ETESIA | F | D | E |
|-----|---------------|---------------------|---------------------|---------------------|
| 1 | 1607 | ECR.AUTOFR.HM5 DIN | STOPMUTTER HM5 | NUT |
| 2 | 2020 | ECROU H.M8 DIN934 | MUTTER HM8 DIN 934- | NUT HM8 |
| 3 | 2233 | RONDELLE M 6 FZA ST | FAESCHERSCHEIBE 6,4 | WASHER |
| 4 | 5604 | RONDELLE PLATE LL6N | SCHEIBE LL 6N | WASHER |
| 5 | 7335 | RDLE PL.A 8,4DIN12 | SCHEIBE A 8,4 | WASHER |
| 6 | 9022 | ROULEMENT A BILLES | KUGELLAGER 6002 2RS | BALL BEARING 6002 |
| 7 | 20513 | VIS H M 8X60 DIN933 | SECHSKANTSCHRAUBE H | SCREW,DIN 933 H M 8 |
| 8 | 21114 | VIS HM 8X40 | SCHRAUBE 8X40 | BOLT 8X40 |
| 9 | 21256 | CIRCLIPS INT.32X1,2 | SEEGERING 32X1,2 | CIRCLIP |
| 10 | 21270 | RDLE PL.B 6,4 | SCHEIBE 6,4 | WASHER 6,4 |
| 11 | 21608 | VIS JAPY M6X16 | SCHRAUBE M6X16 | SCREW 6X16 DIN |
| 12 | 22456 | VIS H M 6X40 | SCHRAUBE 6X40 | SCREW HM 6X40 |
| 13 | 25176 | CAPUCHON JANTE AV. | SCHUTZKAPPE | WHEEL CAP |
| 14 | 25511 | RESSORT DE TORSION | FEDER | UPPER BELT TIGHTENE |
| 15 | 25711 | CAVALIER | FUEHRUNGLAGER | STRAP |
| 16 | 27507 | ECROU AUTOBLOQ.M8 | STOPMUTTER M8 | U NUT FLANGE M8 |
| 17 | 28076 | RESSORT TEND.TR.LAM | SPANNFEDER | TENSION SPRING |
| 18 | 28100 | POIGNEE LEVIER FR. | BREMSEHEBELGRIFF | BRAKE LEVER HANDLE |
| 19 | 28131 | PEDALE MARCHE AVANT | VORWÄRTSPEDAL | FORWARD PEDAL |
| 20 | 28139 | PEDALE MARCHE ARR. | RÜCKWERTSPEDAL | REVERSE PEDAL |
| 21 | 28167 | REJET.PEDAL.MAR.AV. | VORWÄRTSPEDALVERKL. | COVERING FORW.PEDAL |
| 22 | 28186 | ROUE AR. VERTE S/N | HINTERRAD GRÜN S/N | REAR WHEEL GR. S/N |
| 23 | 28188 | REJET.PEDAL.MAR.AR. | VERKLEIDUNG(R.PED.) | COVERING REV. PEDAL |
| 24 | 28234 | ROTULE M8 | KUGELGELENK M8 | KNUCKLE M8 |
| 25 | 28351 | PNEU SO/NAT | REIFEN SO/NAT | TYRE SO/NAT |
| 26 | 28355 | JANTE AR. VERTE S | HINTERESRAD GRÜN S | REAR RIM GR. S |
| 27 | 28509 | TUBE FREIN PARKING | PARKBREMSE ROHR | PARKING BRAKE TUBE |
| 28 | 28512 | LEVIER FREIN A MAIN | PARKBREMSE HEBEL | PARKING BRAKE LEVER |
| 29 | 28516 | TRINGLE MARCHE AV | VORWÄRTS GESTÄNGE | VORWARD DRIVE ROD |
| 30 | 28523 | TENDEUR COURROIE | SPANNARM | TENSIONNER ARM |
| 31 | 28526 | SEGMENT ARRET ROUE | SICHERUNGSBÜGEL | SECURING RING |
| 32 | 28527 | SEGMENT ARRET ROUE | SICHERUNGSBÜGEL | SECURING RING |
| 33 | 28534 | COLLIER 16-27 | SCHELLE 16-27 | COLLAR 16-27 |
| 34 | 28555 | COUSSINET 12/14/15 | BÜCHSE 12/14/15 | SLEEVE 12/14/15 |
| 35 | 28556 | TRINGLE PEDALE | PEDALENGESTÄNGE | PEDAL ROD |
| 36 | 28563 | PLATINE | PLATTE | PLATE |
| 37 | 28564 | BIEL.PEADLE MAR.ARR | RÜCK.PEDALE.STANGE | REV.PEDAL ROD ASSY |
| 38 | 28566 | BIEL.PEDALE MAR.AV | VOR.PEDALEPLEUELSTA | FOR.PEDAL ROD ASSY |
| 39 | 28605 | TRINGLE TRANSM.AV | ŠBERTRAGUNGSHEBEL | ROD |
| 40 | 35141 | GALET TENDEUR | SPANNROLLE | TENSIONNER PULLEY |
| 41 | 35576 | EMBRAYAGE TG105 | MESSERKUPPLG TG105 | BLADE CLUTCH TG105 |
| 42 | 36382 | BOUCHON CONTOUR 175 | STOPFEN 175 | PLUG 175 |
| 43 | 36569 | VASE EXPANSION | AUSGLEICHBEHÄLTER | COMPENSATION TANK |
| 44 | 37059 | BAGUE JFM 141822-20 | BÜCHSE JFM 141822 | |
| 45 | 37352 | | | |
| 46 | 37362 | | | |
| 47 | 37363 | | | |
| 48 | 37369 | | | |
| 49 | 37397 | | | |

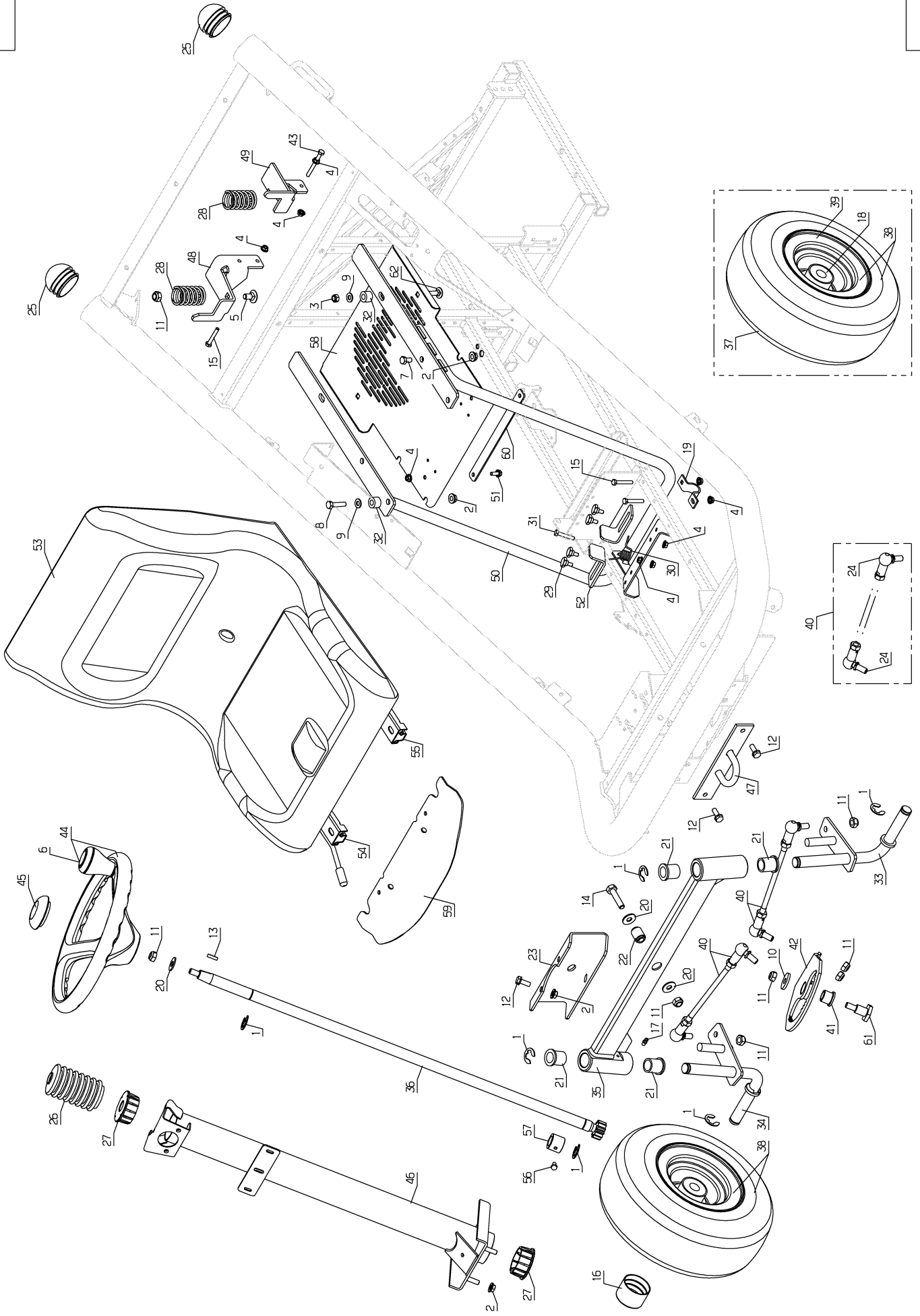
| | | | | |
|----|-------|---------------------|---------------------|---------------------|
| 50 | 37437 | | | |
| 51 | 37505 | | | |
| 52 | 37996 | VIS HM5-16 8.8 EMB | SCHRAUBE HM5-16 8.8 | |
| 53 | 37997 | VIS HM6-16 8.8 EMB | SCHRAUBE HM6-16 8.8 | |
| 54 | 39680 | AMORTISSEUR TA | DŽMPFER | SHOCK ABSORBER |
| 55 | 39681 | ROTULE MALE | GELENK | KNOB |
| 56 | 39777 | BUTEE HDC | ANSCHLAG H™H | CUTTING HEIGHT STOP |
| 57 | 39923 | | | |
| 58 | 39940 | | | |
| 59 | 41060 | RESSORT RAPPEL EMBR | KUPPLG RŠCKHOLFEDER | CLUTCH SPRING |
| 60 | 50764 | | | |
| 61 | 50987 | | | |
| 62 | 71007 | | | |
| 63 | 71018 | | | |
| 64 | 71047 | | | |
| 65 | 71075 | | | |
| 66 | 71077 | | | |
| 67 | 71124 | | | |
| 68 | 71159 | | | |
| 69 | 71169 | | | |
| 70 | 71208 | | | |
| 71 | 71223 | | | |
| 72 | 71233 | | | |
| 73 | 71259 | | | |
| 74 | 71308 | | | |
| 75 | 71336 | | | |
| 76 | 71418 | | | |



35(161340→.....)

PLO2006

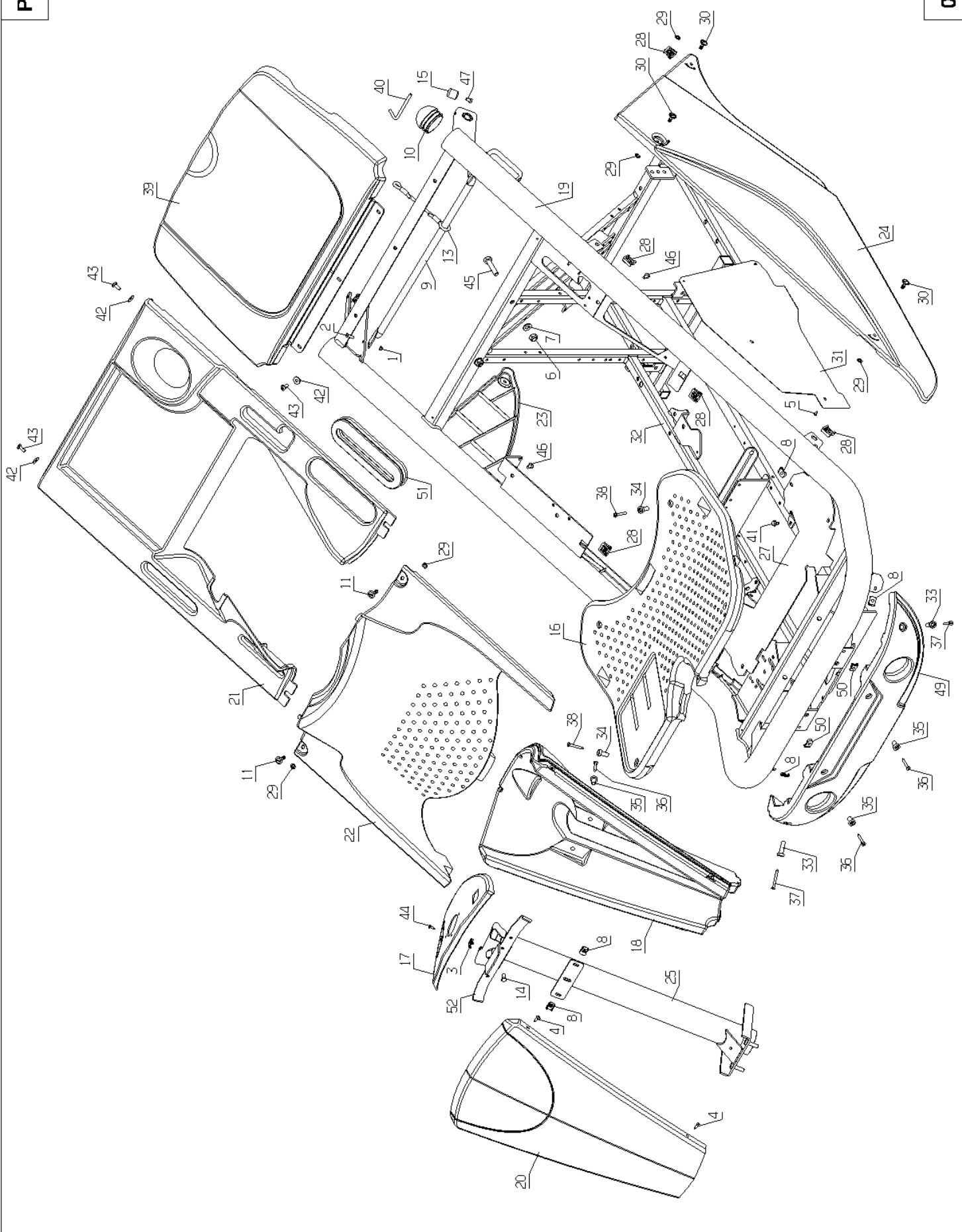
| Rep | Réf ETESIA | F | D | E |
|-----|---------------|---------------------|---------------------|---------------------|
| 1 | 1557 | ECROU H.M6 DIN934 | MUTTER HM 6 DIN 934 | NUT HM6 |
| 2 | 1607 | ECR.AUTOFR.HM5 DIN | STOPMUTTER HM5 | NUT |
| 3 | 2233 | RONDELLE M 6 FZA ST | FAESCHERSCHEIBE 6,4 | WASHER |
| 4 | 2244 | RDLE GROWER A10 | FEDERSCHEIBE A10 | WASHER A10 |
| 5 | 5232 | ECR.AUTOFR.HM6 DIN | STOPMUTTER HM 6 DIN | SELF-LOCKING NUT |
| 6 | 5488 | ECROU HM 4.8 | MUTTER HM 4.8 | NUT HM 4.8 |
| 7 | 15261 | JOINT ECHAPPEMENT | AUSPUFFS DICHTUNG | |
| 8 | 15848 | RDLE GROWER | FEDERRING | SPRING WASHER |
| 9 | 15849 | ECROU HEXAG. | MUTTER | HEX NUT |
| 10 | 21036 | RDLE PL.A 10,5 DIN1 | BEILAGSCHEIBE 10,5 | FLAT WASHER 10.5 |
| 11 | 27507 | ECROU AUTOBLOQ.M8 | STOPMUTTER M8 | U NUT FLANGE M8 |
| 12 | 28052 | TRAVER.MAINT.RESERV | QUERTRZGER BENZINTA | CROSSPIECE |
| 13 | 28055 | BOUCHON RESERVOIR | TANKUHR | PETROL GAUGE |
| 14 | 28323 | COLLIER DURIT | RING | HOSE HAND CLIP |
| 15 | 28324 | ROBINET D'ESSENCE | BENZINHAHN | FUEL STOP VALVE |
| 16 | 28534 | COLLIER 16-27 | SHELLE 16-27 | COLLAR 16-27 |
| 17 | 28703 | DURIT H6 710 | SCHLAUCH H6 710 | HOSE H6 710 |
| 18 | 30165 | COLLIER DIA.20 | SHELLE DIA.20 | CLAMP DIA.20 |
| 19 | 37809 | RESERVOIR CARBURANT | KRAFTSTOFF TANK | |
| 20 | 37996 | VIS HM5-16 8.8 EMB | SCHRAUBE HM5-16 8.8 | |
| 21 | 37997 | VIS HM6-16 8.8 EMB | SCHRAUBE HM6-16 8.8 | |
| 22 | 38000 | DURITE RECUPERATEUR | SCHLAUCH | |
| 23 | 38127 | POIGNEE GAZ | GAS HEBEL | |
| 24 | 38130 | VIS RL Z M4X12,4.6 | SCHRAUBE M4X12,4.6 | SCREW M4X12,4.6 |
| 25 | 38273 | CLIPS DIAM 12 | CLIP DIAM 12 | |
| 26 | 38403 | MOTEUR KAWA FS481V | MOTOR KAWA FS481V | ENGINE KAWA FS481V |
| 27 | 38447 | SUPPORT MOUSSE | HALTERUNG | BRACKET |
| 28 | 39194 | DURIT ESSENCE | BENZIN SCHLAUCH | |
| 29 | 39273 | MOUSSE RESERVOIR | TANK SCHAUM | TANK FOAM |
| 30 | 39435 | POT D'ECHAPPEMENT | AUSPUFF | MUFFLER |
| 31 | 39510 | PATTE FIXATION POT | AUSPUFF HALTERUNG | MUFFLER BRACKET |
| 32 | 39730 | MOUSSE ASPI MKM | LUFTKANAL | BELLOW FOAM |
| 33 | 39921 | "VIS H UNC 3/8"-2" | SCHRAUBE | SCREW |
| 34 | 50021 | MANETTE GAZ KAWA | DROSSELGESTZNGE KIT | THROTTLE KIT |
| 35 | 50854 | | | |
| 36 | 71111 | VIS TOLE B4,8X16 | BLECHSCHRAUBE B4 8X | TAPPING SCREW,DIN 7 |
| 37 | 71413 | VIS HM 8-20 | SCHRAUBE HM 8-20 | SCREW HM 8-20 |
| 38 | 71454 | VIS H UNC 3/8"1"1/4 | SCHR.HUNC 3/8"1"1/4 | SCRW.HUNC 3/8"1"1/4 |
| 39 | 71459 | ECROU NUL 0535 NOIR | MUTTER | NUT |
| 40 | 39764 | TOLE PARE CHALEUR | PLATTE | PLATE |



PLO2047

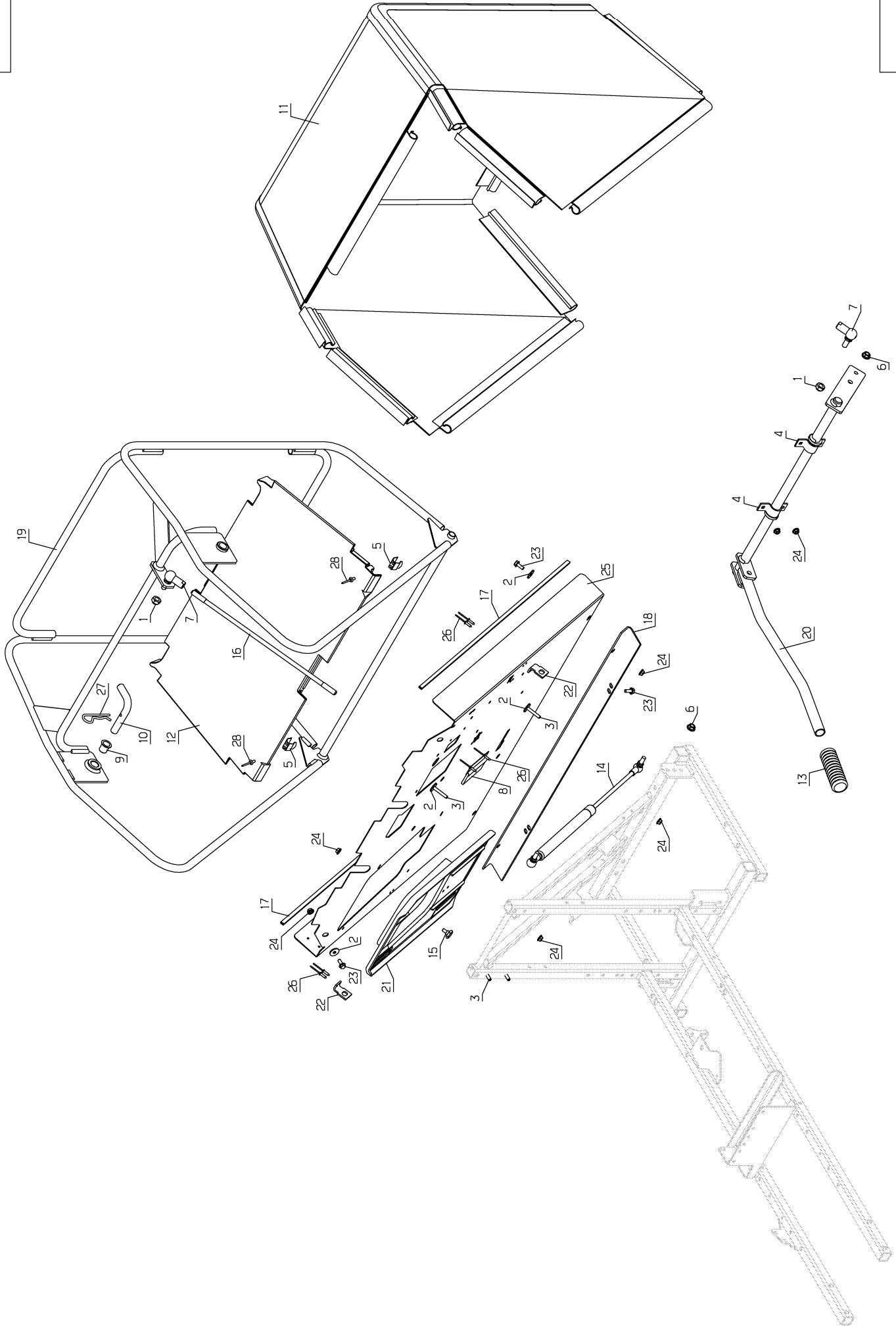
| Rep | Réf ETESIA | F | D | E |
|-----|---------------|---------------------|---------------------|---------------------|
| 1 | 1513 | ANN.E.RE DIA.15 | SEEGERING 15 | CIRCLIP 15 |
| 2 | 27507 | ECROU AUTOBLOQ.M8 | STOPMUTTER M8 | U NUT FLANGE M8 |
| 3 | 2021 | ECR.AUTOFR.HM8 DIN | STOPMUTTER HM 8 DIN | NUT HM8 |
| 4 | 50764 | | | |
| 5 | 50071 | | | |
| 6 | 29923 | POMMEAU VOLANT | HOBELKNAUF | STEERING WHEEL GAIT |
| 7 | 6169 | VIS HM 8X16 DIN 93 | SECHSKANTSCH.HM8X16 | SCREW HM8X16 |
| 8 | 7038 | VIS H M 8X35 DIN933 | SECHSKANTSCHRAUBE H | SCREW,DIN933 H M 8X |
| 9 | 7335 | RDLE PL.A 8,4DIN12 | SCHEIBE A 8,4 | WASHER |
| 10 | 9009 | RDLE PL.11X32X4 | SCHEIBE.11X32X4 | WASHER |
| 11 | 9017 | ECR.AUTOFR.HM10 DIN | MUTTER HM10 DI | NUT HM10 |
| 12 | 71413 | | | |
| 13 | 20606 | CLAVETTE 5X5X20 | KEIL 5X5X20 | KEY 5X5X20 |
| 14 | 71198 | | | |
| 15 | 22456 | VIS H M 6X40 | SCHRAUBE 6X40 | SCREW HM 6X40 |
| 16 | 25176 | CAPUCHON JANTE AV. | SCHUTZKAPPE | WHEEL CAP |
| 17 | 25301 | GRAISSEUR "HYDRAULI | SCHMIERNIPPEL | RH STD "HYDRAULIC" |
| 18 | 25616 | RLT A BILLES 6204 2 | KUGELLAGER | BEARING |
| 19 | 25711 | CAVALIER | FUEHRUNGLAGER | STRAP |
| 20 | 71238 | | | |
| 21 | 35412 | COUSSINET 20/26/30 | WELLENLAGER | BEARING 20/26/30 |
| 22 | 39638 | ENTRETOISE ESSIEU | BÛCHSE | |
| 23 | 38826 | TOLE SUPP. COURONNE | HALTERUNG | |
| 24 | 28047 | ROTULE DE DIRECTION | KUGELGELENK M10 | STEER. KNUCKLE M10 |
| 25 | 28056 | BOUCHON TUBE DIA.60 | ROHRSTOPFEN 60 | TUBE CAP 60 |
| 26 | 28110 | SOUFFLET DIRECTION | SCHUTZBALG | BELLOWS |
| 27 | 28111 | COUVERC.CONS.DIRECT | BÛCHSE | CONSOLE GUIDE RING |
| 28 | 28112 | RESSORT SIEGE | SITZFEDER | SEAT SPRING |
| 29 | 28137 | VIS EPAUL.LOQUET ZG | FÛHRUNGSAFFEN | CATCH BOLT SP.SCREW |
| 30 | 28206 | RESSORT BLOCAGE SIE | VERRIEGLUNGSFEDER | SEAT BLOCAGE SPRING |
| 31 | 71259 | | | |
| 32 | 28296 | ENTRETOISE | BÛCHSE | SPACER |
| 33 | 28718 | FUSEE GAUCHE | SPURGELENK LINKS | LEFT STUB AXLE |
| 34 | 28719 | FUSEE CPLTE D. | SPURGELENK RECHTS | RIGHT STUB AXLE |
| 35 | 38852 | ESSIEU | VORDERACHSE | |
| 36 | 28679 | COLONNE DIRECTION | LENKSÛLE | STEERING COLUMN |
| 37 | 28733 | PNEU AVANT | VORDERREIFEN | FRONT TYRE |
| 38 | 38789 | ROUE AV.13" VERT. | RAD | |
| 39 | 38813 | | | |
| 40 | 28536 | BIELLE DIRECTION | LENKSTANGE | STEERING ROD |
| 41 | 38859 | PALIER A COLLERETTE | LAGERUNG | |
| 42 | 38853 | COURONNE | KRANZ | |
| 43 | 71288 | | | |
| 44 | 29900 | VOLANT DE DIRECTION | LENKER | STEERING WHEEL |
| 45 | 29978 | CAPUCHON VOLANT | LENKRAD STOPFEN | STEERING WHEEL CAP |
| 46 | 36842 | TUBE CONSOLE CPLT V | LENKSÛLEROHR KPL G | STEERING CONS.CPL.G |
| 47 | 37289 | CROCHET | HAKEN | |
| 48 | 37810 | EQUERRE SIEGE DROIT | SITZ WINKEL RECHTS | SEAT CORNER RIGHT |
| 49 | 37811 | EQUERRE SIEGE GAUCH | SITZ WINKEL LINKS | |

| | | | | |
|----|-------|---------------------|---------------------|-----------------|
| 50 | 37812 | SUPP.SIEGE REHAUSSE | SITZ HALTERUNG | |
| 51 | 37997 | VIS HM6-16 8.8 EMB | SCHRAUBE HM6-16 8.8 | |
| 52 | 38056 | LOQUET BLOC.SIEGE | SITZ VERRIEGELUNG | SEAT STOP |
| 53 | 32127 | -> 30691 | -> 30691 | -> 30691 |
| 54 | 37079 | GLISSIERE D.ALLONGE | VERLZNG.SCHIENE | LENG.SEAT GUIDE |
| 55 | 30714 | GLISSIERE GAUCHE | LINKE SCHIENE | LEFT SEAT GUIDE |
| 56 | 71355 | | | |
| 57 | 39589 | BUTEE COLONNE DIREC | LENKUNGSANSCHLAG | |
| 58 | 50013 | | | |
| 59 | 50096 | | | |
| 60 | 50097 | | | |
| 61 | 38860 | AXE COURONNE | ACHSE | |
| 62 | 71118 | | | |



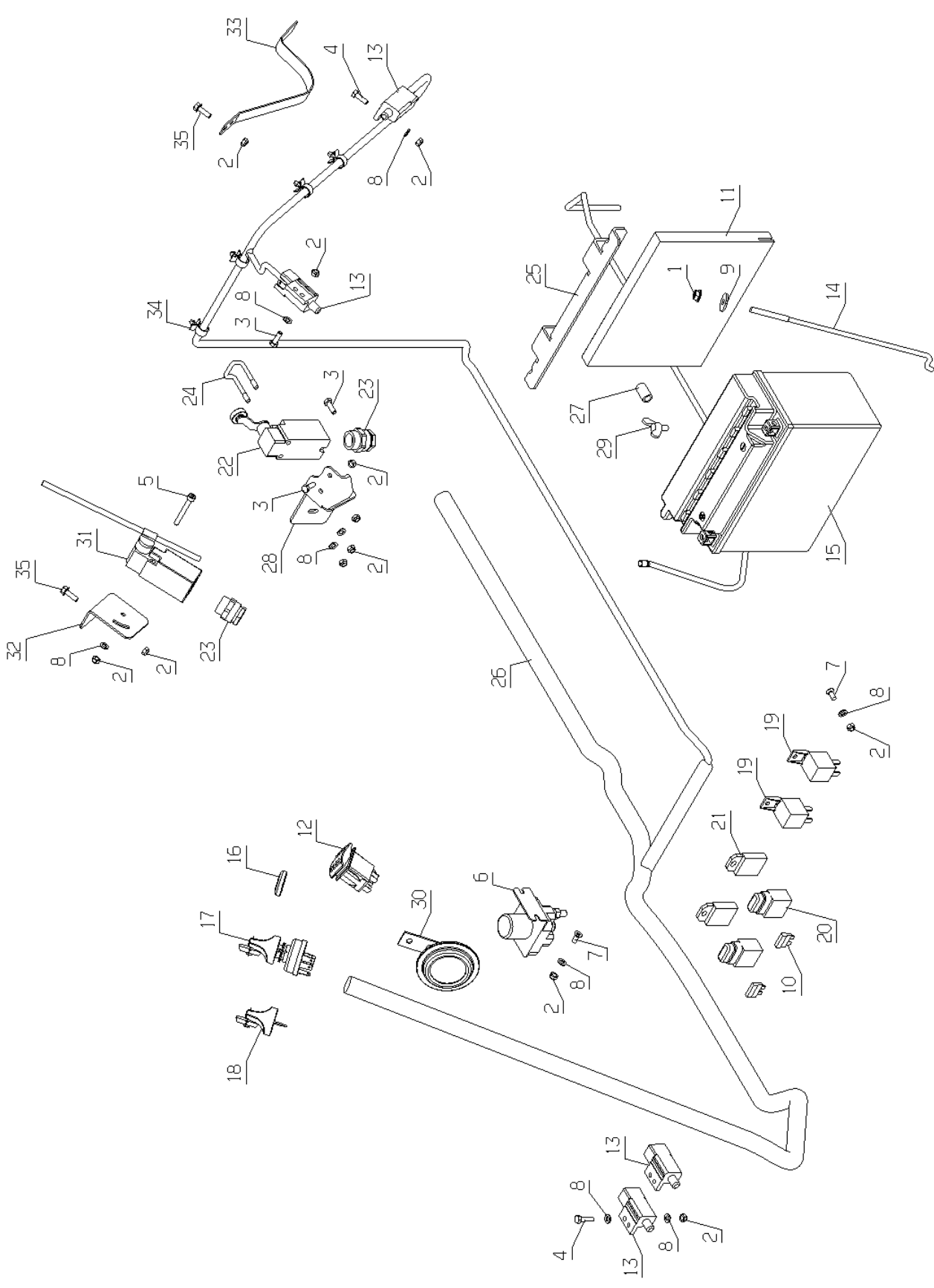
PLO2043

| Rep | Réf ETESIA | F | D | E |
|-----|---------------|---------------------|----------------------|---------------------|
| 1 | 1607 | ECR.AUTOFR.HM5 DIN | STOPMUTTER HM5 | NUT |
| 2 | 2009 | VIS M5 X 16 | SCHRAUBE M5 X 16 | BOLT M5X16 |
| 3 | 6178 | ECROU NUL601 PH | CLIPSMUTTER | CLIP NUT |
| 4 | 71111 | VIS TOLE B4,8X16 | BLECHSCHRAUBE B4 8X | TAPPING SCREW,DIN 7 |
| 5 | 7914 | VIS PARKER B 3,5X9, | SCHRAUBE | SCREW |
| 6 | 9017 | ECR.AUTOFR.HM10 DIN | MUTTER HM10 DI | NUT HM10 |
| 7 | 21036 | RDLE PL.A 10,5 DIN1 | BEILAGSCHEIBE 10.5 | FLAT WASHER 10.5 |
| 8 | 21436 | ECROU NUL 530 | CLIPSMUTTER | CLIPS NUT |
| 9 | 28052 | TRAVER.MAINT.RESERV | QUERTRÄGER BENZINTA | CROSSPIECE |
| 10 | 28056 | BOUCHON TUBE DIA.60 | ROHRSTOPFEN 60 | TUBE CAP 60 |
| 11 | 39230 | VERROU 1/4 TOUR | 1/4 UMDREH.SCHRAUBE | |
| 13 | 28239 | SANGLE ELASTIQUE | AUFZIEHKLEMMME | COVER BAND |
| 14 | 5334 | VIS H M 6X16 DIN933 | SCHRAUBE HM6X16 | SCREW HM6X16 |
| 15 | 29783 | BUTEE CAOUTCHOUC | GUMMI-ANSCHLAG | RUBBER STOP |
| 16 | 36716 | PLANCHER | FUSSBODEN | FLOOR |
| 17 | 36717 | PLANCHE DE BORD | SCHALTТАFFEL | |
| 18 | 36719 | CONSOLE | KONSOLE | |
| 19 | 36721 | CHASSIS DIA.60 VERT | RAHMEN DIA.60 GRÜN | FRAME DIA.60 GREEN |
| 20 | 36722 | CACHE CONSOLE BLANC | KONSOLE VERKL.WEISS | REAR CONSOLE WHITE |
| 21 | 36723 | CAPOT ARRIERE BLANC | HINTERE ABDECK.WEISS | REAR COVER WHITE |
| 22 | 36724 | CAPOT CENTRAL BLANC | VORD.ABDECK.WEISS | FRONT COVER WHITE |
| 23 | 36726 | CAPOT LAT.DROIT BL. | RECHTE VERKL.WEISS | RIGHT SIDE COVER WH |
| 24 | 36727 | CAPOT LAT.GAUCHE BL | LINKE VERKL. WEISS | LEFT SIDE COVER WHI |
| 25 | 36842 | TUBE CONSOLE CPLT V | LENKSZÜLEROHR KPL 6 | STEERING CONS.CPL.6 |
| 27 | 37339 | SUPPORT PLANCHER | HALTERUNG | |
| 28 | 37499 | RECEPTACLE 1/4 TOUR | SCHRAUBE 1/4 UMDREH | 1/4 ROTATION SCREW |
| 29 | 37500 | RONDELLE 1/4 TOUR | 1/4 UMDREH SCHEIBE | 1/4 ROTATION WASHER |
| 30 | 37501 | VERROU 1/4 TOUR | 1/4 UMDREH.VERRIEGE | 1/4 ROTATION LOCK |
| 31 | 37536 | TOLE PROTECTION POT | AUSPUFF SCHUTZ | |
| 32 | 37715 | CHASSIS CPL TUBE 25 | RAHMEN | |
| 33 | 37796 | ENTRET.CAPOT LG29.7 | BÜCHSE LG 29.7 | BUSH LG 29.7 |
| 34 | 37797 | ENTRET.CAPOT LG 20 | BÜCHSE LG 20 | |
| 35 | 37798 | ENTRET.CAPOT LG 13 | BÜCHSE LG 13 | |
| 36 | 37836 | VIS CB H ST4.8-32,C | SCHRAUBE ST4.8-32,C | |
| 37 | 37837 | VIS CB H ST4.8-45,C | SCHRAUBE ST4.8-45,C | |
| 38 | 37901 | VIS CB H ST4.8-38,C | SCHRAUBE ST4.8-38,C | SCREW ST4.8-38,C |
| 39 | 38044 | CAPOT PANIER BLANC | KORB ABDECKUNG WEISS | GRASSBOX COVER WHIT |
| 40 | 38071 | TRINGLE | GESTÄNGE | |
| 41 | 38408 | VIS H M6-16 8,8 | SCHRAUBE HM6-16 8,8 | SCREW |
| 42 | 71096 | RDLE PL.B 6,4 | BEILAGSCHEIBE B6,4 | WASHER B6,4 |
| 43 | 71106 | VIS T PL CR M6X16 | KREUTZSCHLITZLINSEN | RECESSED HEAD SCREW |
| 44 | 71109 | VIS TOLE B4,2X13 | BLECHSCHRAUBE B4 2X | TAPPING SCREW,DIN 7 |
| 45 | 71198 | VIS HM 10X45 | SECHSKANTS.HM10X45 | HEX. SCREW HM10X45 |
| 46 | 71277 | VIS EJ-PT KB 60X12 | SCHRAUBE 60X12 | SCREW 60X12 |
| 47 | 71355 | VIS HM6-10,8.8 | SCHRAUBE M6X10 | HEX.SCREW M6X10 |
| 49 | 37328 | CACHE DIRECT.NOIR | LENKUNG VERKL.SCHW. | |
| 50 | 71459 | ECROU NUL 0535 NOIR | MUTTER | NUT |
| 51 | 28242 | CHACHE HDC | SCHUTZBALG | COVER CUTTING HEIGH |
| 52 | 38422 | RENFORT CONSOLE | VERSTÄRKUNGSPLATTE | REINFORCING PLATE |



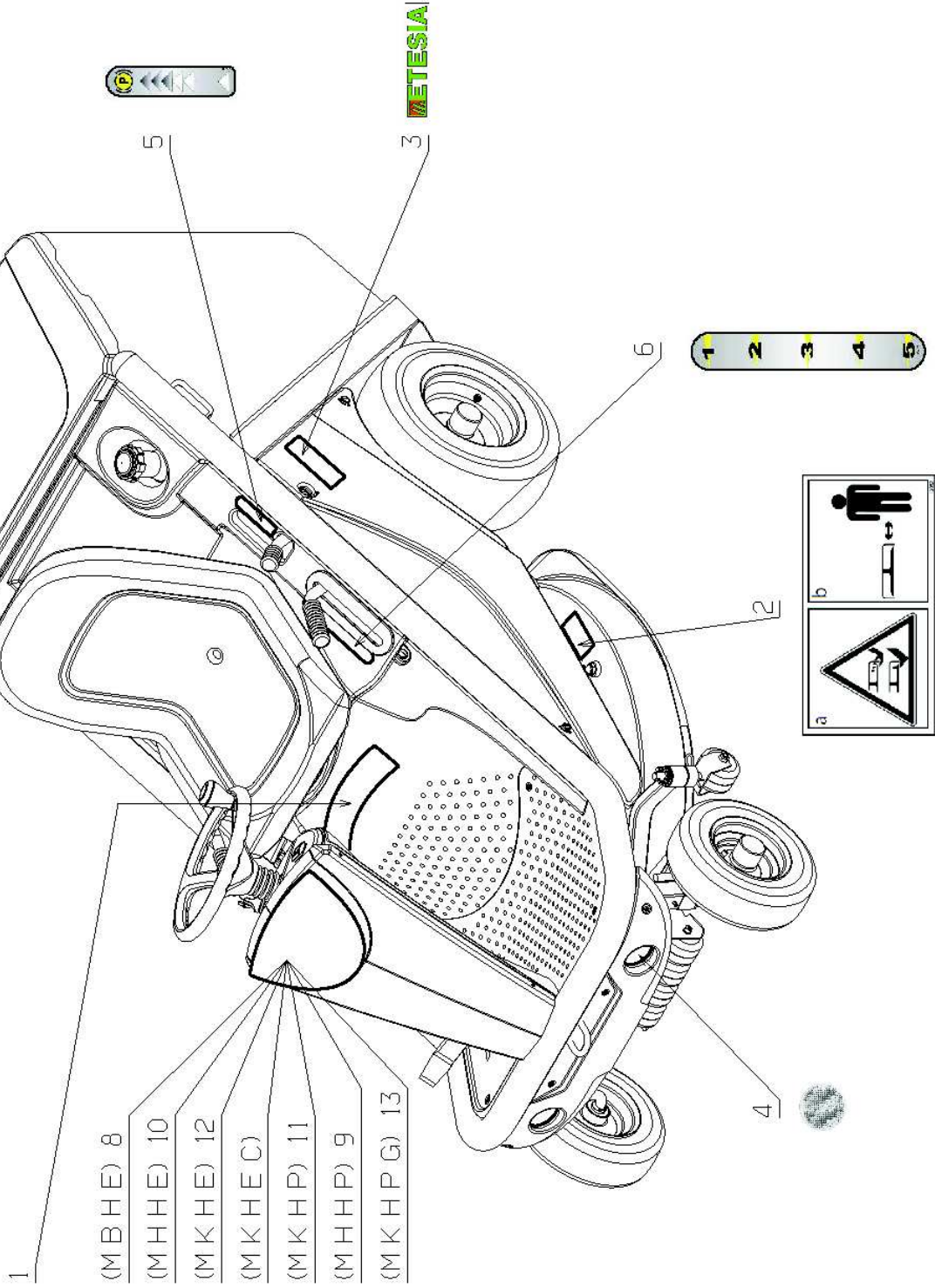
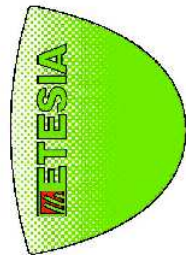
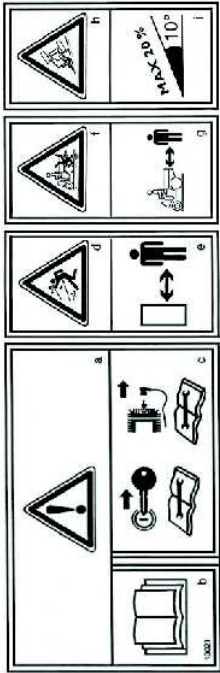
PL02049

| Rep | Réf ETESIA | | | |
|-----|---------------|---------------------|---------------------|---------------------|
| 1 | 9017 | ECR.AUTOFR.HM10 DIN | MUTTER HM10 DI | NUT HM10 |
| 2 | 22029 | RDLE PL.B 6,5DIN69 | BEILAGSCHEIBE B 6,5 | FLAT WASHER 6,5 |
| 3 | 22456 | VIS H M 6X40 | SCHRAUBE 6X40 | SCREW HM 6X40 |
| 4 | 25711 | CAVALIER | FUEHRUNGLAGER | STRAP |
| 5 | 25886 | AGRAFE 17/20 | KLEMME 17/20 | 17/20 CUP |
| 6 | 27507 | ECROU AUTOBLOQ.M8 | STOPMUTTER M8 | U NUT FLANGE M8 |
| 7 | 28047 | ROTULE DE DIRECTION | KUGELGELENK M10 | STEER. KNUCKLE M10 |
| 8 | 28068 | BROSSE PANIER | KORBBÜRSTE | COLLECTOR BRUSH |
| 9 | 28070 | COUSSINET 15/17/20 | BŠCHSE 15/17/20 | SLEEVE |
| 10 | 28082 | AXE D' ARTIC.PANIER | KORBDREHZAPFEN | LINK AXLE |
| 11 | 28087 | TOILE PANIER | KORBGeweBE | BAG |
| 12 | 28095 | FOND DE PANIER | KORBBODEN | COLLECTOR BOTTOM |
| 13 | 28118 | POIGNEE LEV.HDC.VID | GRIFF | CUT.HEIGHT LEVER HA |
| 14 | 28130 | VERIN PANIER | KORBGASSTOSSDŽMPFER | BAG CYLINDER |
| 15 | 28137 | VIS EPAUL.LOQUET ZG | FŠHRUNGSZAPFEN | CATCH BOLT SP.SCREW |
| 16 | 28168 | TRINGLE DE RENVOI | STANGE | RETURNING ROD |
| 17 | 28254 | GAINE PROTECT.690MM | SCHUTZHŠLLE 690MM | PROTECT.COATING 690 |
| 18 | 28362 | RENF.PLAQ.AR.PAN.96 | PLATTEVERSTŽRCK.96 | COLL.PLATE REINF.96 |
| 19 | 28408 | PANIER SOUDE | KORBRAHMEN | COLLECTOR FRAME |
| 20 | 28409 | LEVIER SOUDE | HEBEL | LEVER |
| 21 | 28568 | GUIDE CANAL | KANAL FŠHRUNG | CHANNEL GUIDE |
| 22 | 37621 | TOLE FIX.CAPOT LAT. | BEFESTIGG VERKLEID. | |
| 23 | 37997 | VIS HM6-16 8.8 EMB | SCHRAUBE HM6-16 8.8 | |
| 24 | 50764 | | | |
| 25 | 50790 | | | |
| 26 | 71113 | | | |
| 27 | 71228 | | | |
| 28 | 71241 | | | |



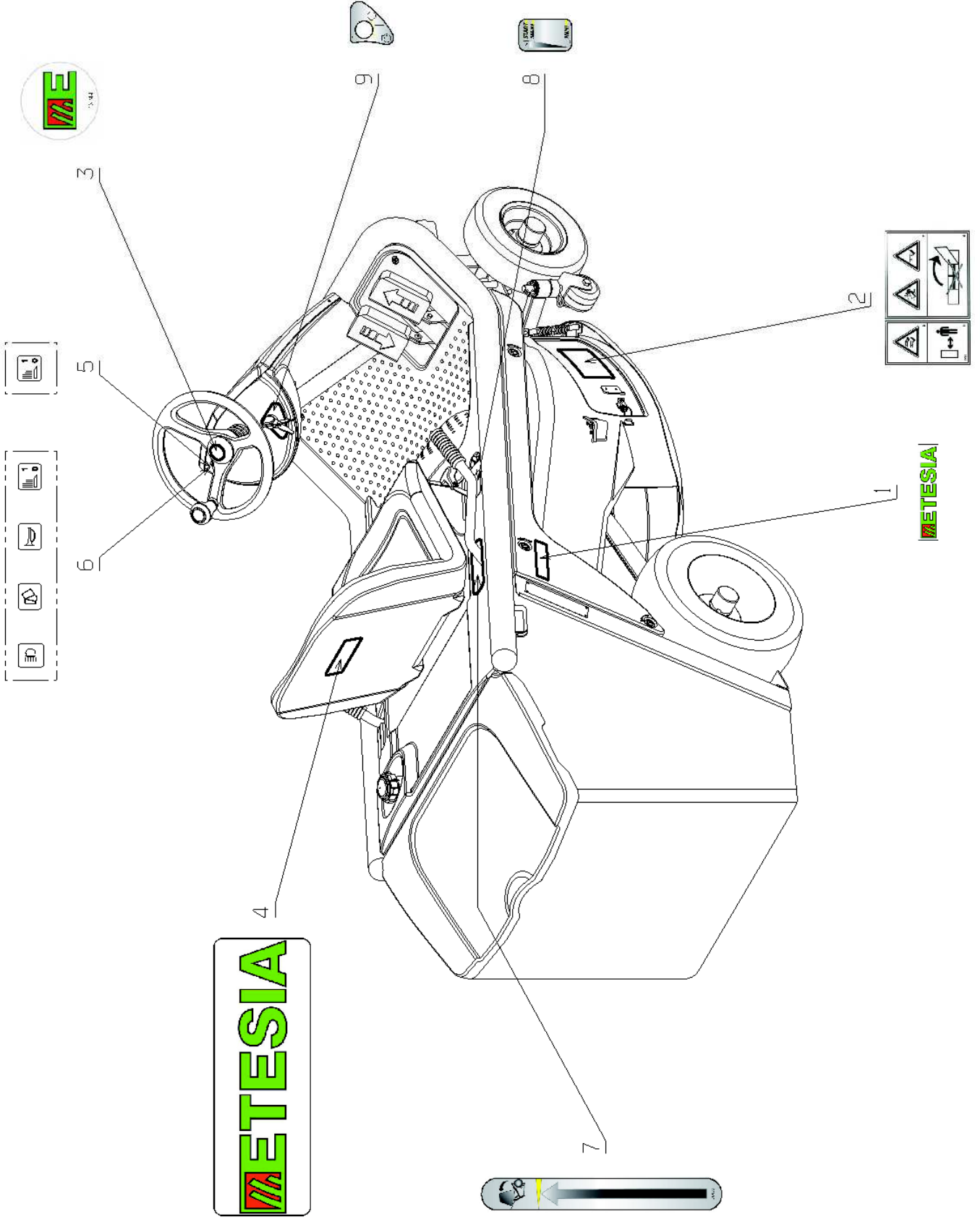
PLO2042

| Rep | Réf ETESIA | F | D | E |
|-----|---------------|--------------------------|-------------------------|---------------------|
| 1 | 50764 | BUTÉE GAINÉ VARIAT. | KABEL ANSCHLAG | |
| 2 | 1607 | ECR.AUTOFR.HM5 DIN | STOPMUTTER HM5 | NUT |
| 3 | 2009 | VIS M5 X 16 | SCHRAUBE M5 X 16 | BOLT M5X16 |
| 4 | 5071 | VIS HM 5X20 | SCHRAUBE HM5X20 | BOLT HM 5X20 |
| 5 | 5399 | VIS M5X40 DIN 912 | SCHRAUBE M5X40 | BOLT M5X40 |
| 6 | 16604 | KIT RELAIS DÉMARR. | ANLASSERRELAIS KIT | RELAY STARTER KIT |
| 7 | 20563 | VIS TF M5 X 12 | SCHRAUBE 5X12 | SCREW M5 X 12 |
| 8 | 20564 | RONDELLE PLATE 5,5 | SCHLEIBE 5,5 | WASHER 5,5 |
| 9 | 22029 | RDLE PL.B 6,5DIN69 | BEILAGSCHLEIBE B 6,5 | FLAT WASHER 6,5 |
| 10 | 25828 | FUSIBLE 25A 12 V | SICHERUNG 25A 12V | FUSE 25A 12V |
| 11 | 28015 | PROTECT.THERMIQUE | BATTERIEWÄRMESCHUTZ | BATTERY HEAT PROTEC |
| 12 | 28063 | INTERRUPTEUR LAME | MESSERANTRIEBSCHALT | BLADE SWITCH |
| 13 | 28159 | INTERRUPTEUR | SCHALTER | SWITCH |
| 14 | 28164 | TRING.BRID.BATTERIE | BEFESTIGUNGSTANGE | BATTERY CLAMP ROD |
| 15 | 28326 | BATTERIE | BATTERIE | BATTERY |
| 16 | 28382 | ENJOLIVEUR DE CLÉF | VERZIERT.ZÄNDSCHLOS | KEY CONTACT. EMBEL. |
| 17 | 28384 | CONTACTEUR A CLÉF | ZÄNDSCHLOSS | KEY CONTACTOR |
| 18 | 28388 | CLÉF | ZÄNDSCHLÜSSEL | KEY |
| 19 | 28392 | RELAIS INV.ETANCHE | UMSCHALTREL.WASSERD | WATERPROOF RELAY |
| 20 | 28582 | PORTE-FUSIBLE | SICHERUNGSTRÄGER | PLUG FUSE HOLDER |
| 21 | 28594 | BRIDE DE FIXATION | LASCHE | BRACKET |
| 22 | 29257 | CONTACT.POINT MORT | TOTMANNSCHALTER | DEAD POINT SWITCH |
| 23 | 29789 | PRESSE ETOUPE | KABELSTOPFBÜCHSE | CONTACTOR GROMMET |
| 24 | 35213 | BRIDE FIXAT.CONTACT | SCHALTER BEFESTIGG | SWITCH FIXING |
| 25 | 35675 | EQUERRE BRIDAGE | BATTERI.BEFESTIGUNG | |
| 26 | 50188 | FAISCEAU ELECTRIQUE | ELEKTRISCHERKABELBAUM | ELECTRICAL WIRING |
| 27 | 42019 | ENTRÉT.12X8,2X19 | BÜCHSE 12X8,2X19 | BUSH 12X8,2X19 |
| 28 | 50083 | SUPPORT CONTACTEUR SIÈGE | SITZ SCHALTER HALTERUNG | SEAT SWITCH BRACKET |
| 29 | 71236 | VIS PAPILLON | SCHRAUBE | SCREW |
| 30 | 28209 | AVERTISSEUR SONORE | HUPE | ALARM |
| 31 | 28210 | TEMOIN REMPLISSAGE | BUZZER SCHALTER | BUZZER SWITCH |
| 32 | 28211 | SUP.TEMOIN REMPLIS. | HALTERUNG BUZZERSCH | BUZZER SWITCH SUPP. |
| 33 | 28073 | LAME INTERRU.PANIER | KORBSCHALTER PLZTTC | COLLECTOR SWITCH PL |
| 34 | 28081 | AGRAFE 12,8 MM | KLAMMER 12,8MM | CLAMP 12,8MM |
| 35 | 37996 | VIS HM5-16 8.8 EMB | SCHRAUBE HM5-16 8.8 | |



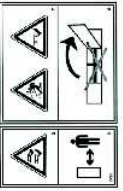
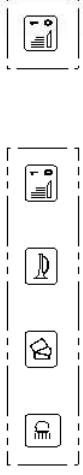
PL01553

| Rep | Réf ETESIA | F | D | E |
|-----|---------------|---------------------|---------------------|---------------------|
| 1 | 13021 | ETIQ.AVERTISSEMENT | AUFKLEBER WARNUNG | STICKER |
| 2 | 13062 | ETIQ.PLATEAU COUPE | AUFKLEBER MZHWERK | STICKER CUT-DECK |
| 3 | 13086 | ETIQ.ETE.CACH.LAT. | AUFKLEBER ETESIA | STICKER ETESIA |
| 4 | 35866 | ETIQ.FAUX CLIGNOT. | BLINKLEUCHTE AUFKL. | STICKER - BLINKER |
| 5 | 38052 | ETIQU.FREIN PARKING | AUFKLEBER | STICKER |
| 6 | 38054 | ETIQUETTE HDC | AUFKLEBER | STICKER |
| 7 | 37828 | ETIQ.CONSOLE MKHEC | AUFKLEBER MKHEC | |
| 8 | 38250 | ETIQ. CONSOLE MBHE2 | KONS.AUFKLEB.MBHE2 | |
| 9 | 38352 | ETIQ.CONSOLE MHHP2 | AUFKLEB.KONS.MHHP2 | |
| 10 | 38253 | ETIQ.CONSOLE MHHE2 | KONS.AUFKLEB. MHHE2 | CONSO.STICKER MHHE2 |
| 11 | 38254 | ETIQ.CONSOLE MKHP2 | AUFKLEB.KONS. MKHP2 | |
| 12 | 38271 | ETIQ.CONSOLE MKHE2 | AUFKLEB.KONS. MKHE2 | |
| 13 | 36860 | ETIQ.CONSOLE MKHP62 | KONSOL.AUFKL.MKHP62 | |



METESIA

METESIA



PL01554

| Rep | Réf ETESIA | F | D | E |
|-----|---------------|---------------------|---------------------|---------------------|
| 1 | 13086 | ETIQUETE.CACH.LAT. | AUFKLEBER ETESIA | STICKER ETESIA |
| 2 | 13089 | ETIQ.TRAPPE FR. | | |
| 3 | 13244 | ETIQ.LOGO ETESIA | AUFKLEB.LOGO ETESIA | STICKER LOGO ETESIA |
| 4 | 28308 | LOGO SIEGE ETESIA | ETESIA LOGO | ETESIA LOGO |
| 5 | 37831 | PICTO.MISE RTE LAME | AUFKLEBER - MESSER | STICKER - BLADES |
| 6 | 37833 | PICTOGRAMMES | AUFKLEBER | |
| 7 | 38050 | ETIQ.VIDANGE PANIER | KORB ENTL.AUFKLEBER | STICKER |
| 8 | 38053 | ETIQ.MANETTE DE GAZ | AUFKLEBER | STICKER |
| 9 | 38146 | ETIQ.CONTACTEUR CLE | AUFKLEBER | |