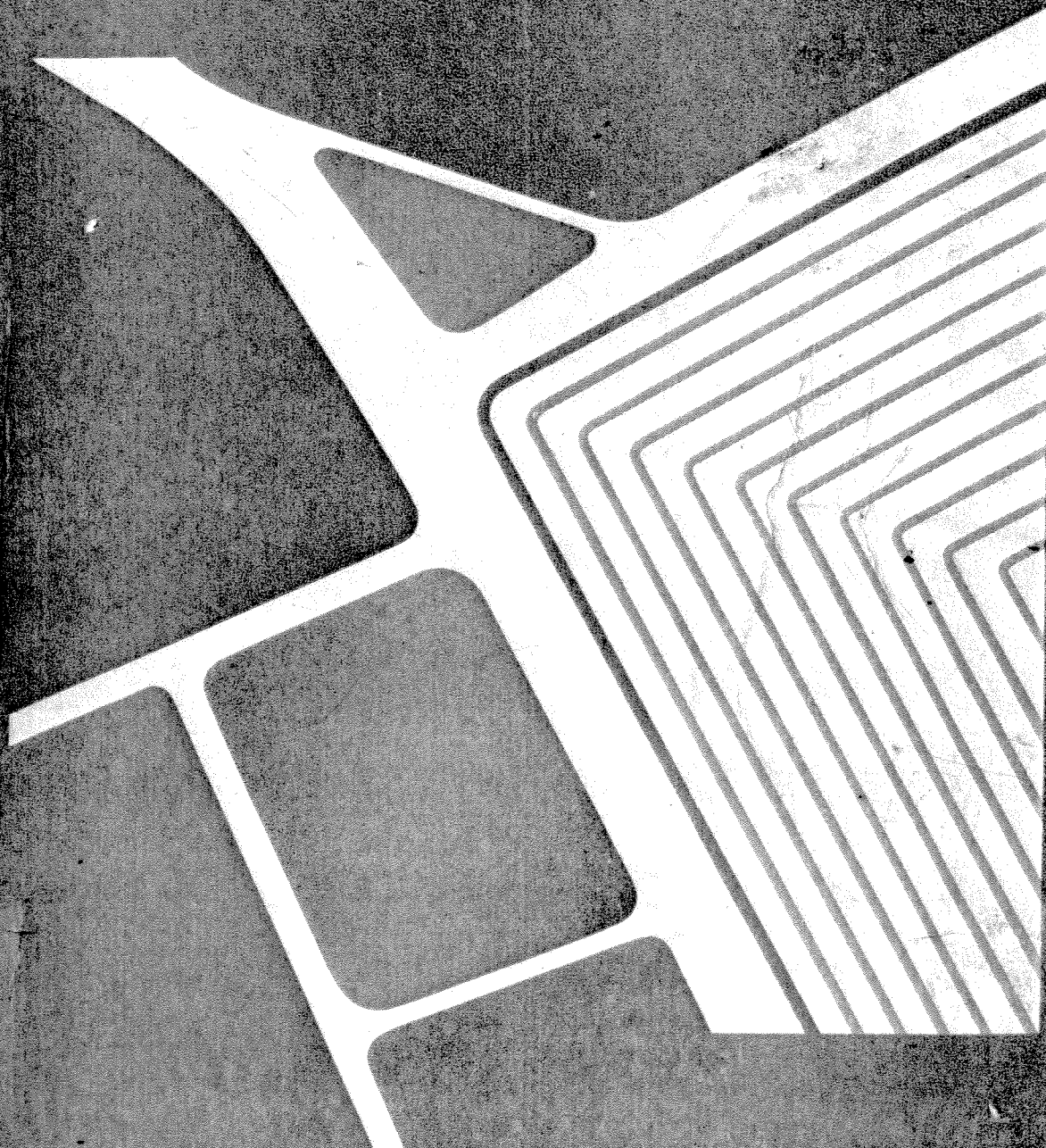


HONDA



TILLER MODEL F40



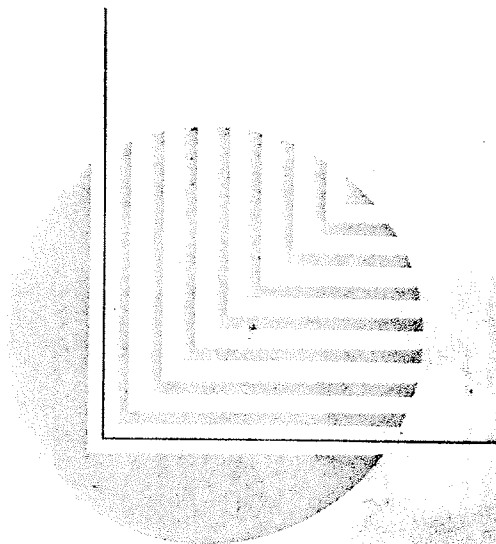
1

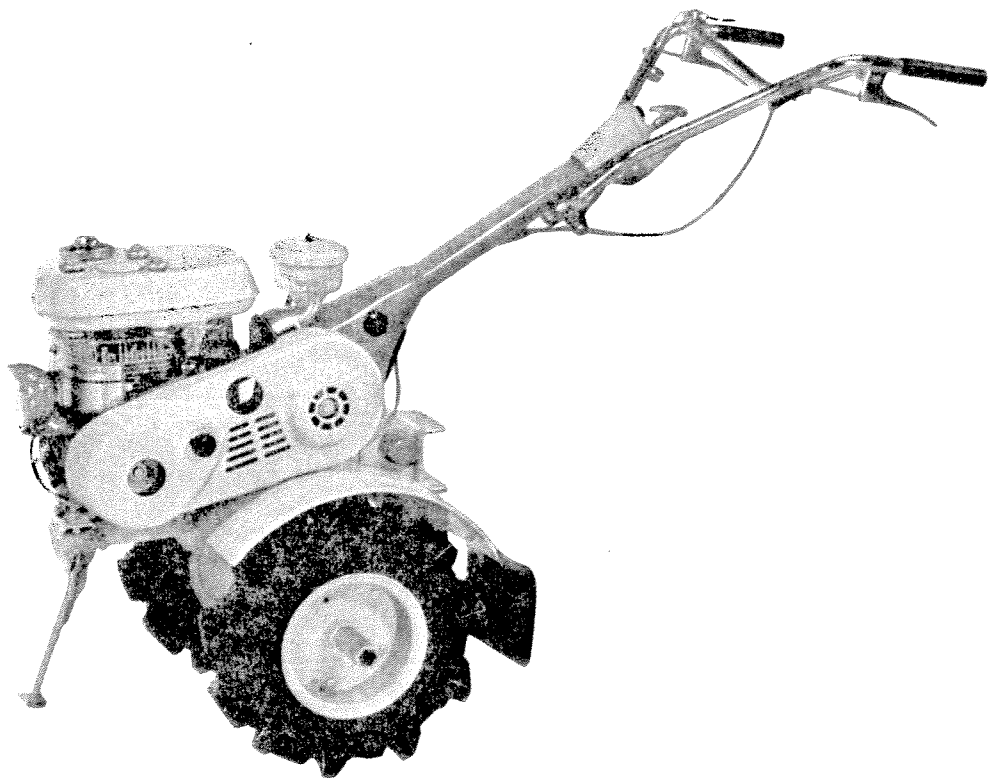
PARTS LIST
HONDA GENUINE PARTS

HONDA TILLER

F 4 0

PARTS LIST



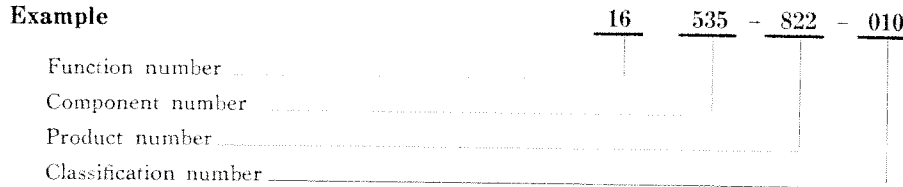


APPLICATION OF PARTS LIST

This is a list of parts used for HONDA TILLER
MODEL F40

1. How to read the Part Number

The composition of part number is shown by the following example :



2. How to Order Parts

When ordering parts from us, please specify the correct part numbers by referring to this Parts List.

Check the engine number and frame number, the engine number is stamped on the cylinder barrel and frame number is stamped on the handle column.

3. News Number

The News Number shown refers to the Parts News issued by Honda Service Center. When details concerning the modification to any part is required, please refer to the Parts News Number shown.

4. Maintaining the Parts List up-to-date

Every three months a "Revision Sheet" will be issued to include the latest changes and modifications. When the "Revision Sheet" are received, insert these sheet in the Parts List and remove the revised sheet. In this way, the Parts List is always kept current.

5. Remarks

G40FD is the type of engine mounted on F40. Only the figures in the column of "G40FD" under "Qty used" indicate the parts composing engine for tiller. Other parts for which no figures are indicated in the column of "G40FD" are not component parts of tillers engine.

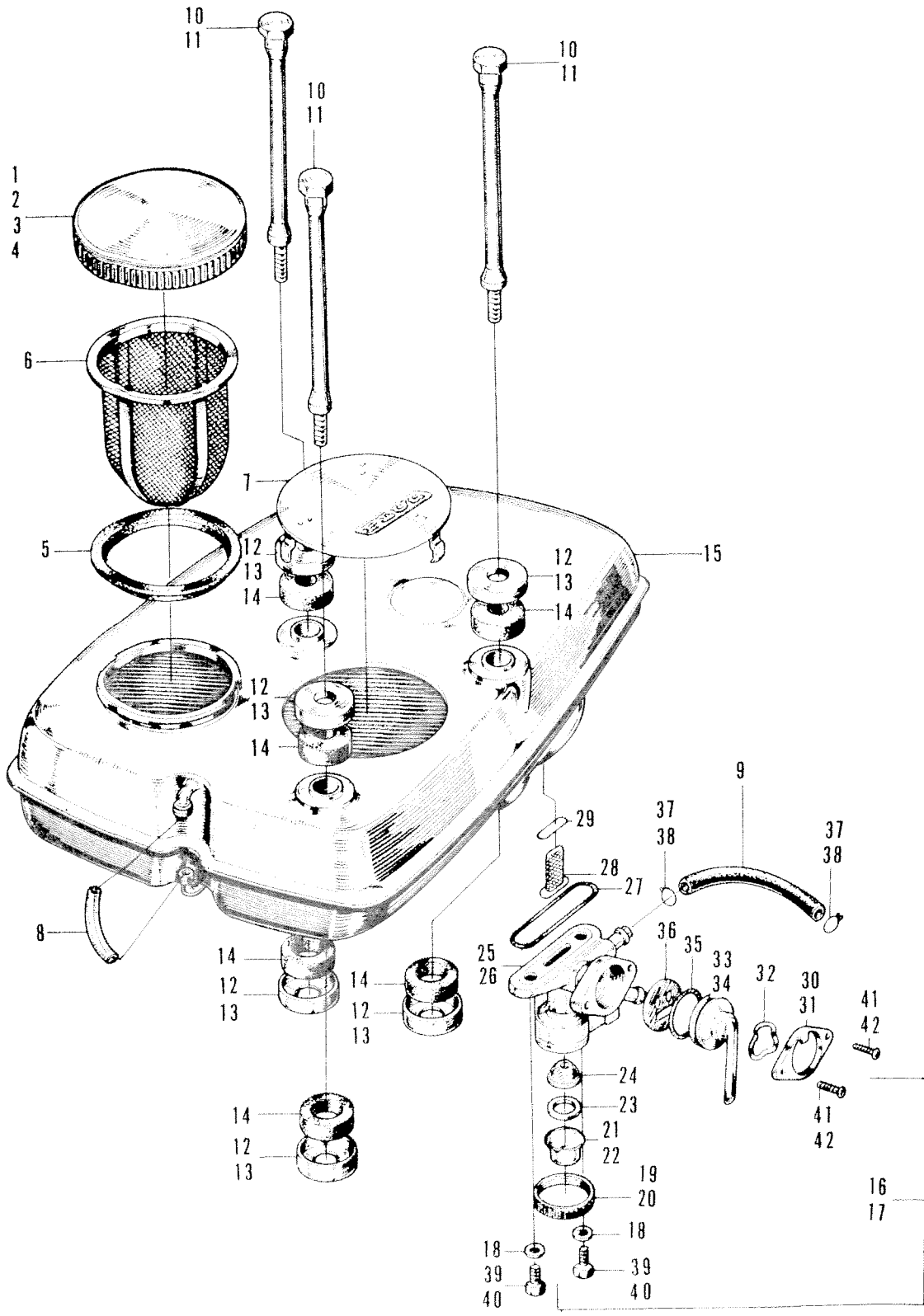
• This Parts List was compiled as of June 10, 1967.

HONDA MOTOR CO., LTD.
SERVICE DIVISION

CONTENTS

Block No.	Description	Page
ENGINE		
E- 1.....	Fuel Tank	2
E- 2.....	Air Cleaner • Tool.....	6
E- 3.....	Oil Bass Air Cleaner	8
E- 4.....	Carburetor	10
E- 5.....	Muffler	14
E- 6.....	Recoil Starter	16
E- 7.....	Governor Control	18
E- 8.....	Cover • Oil Level Gauge.....	20
E- 9.....	Magneto	22
E-10.....	Cylinder	26
E-11.....	Crankshaft	30
E-12.....	Camshaft • Oil Pan	34
FRAME		
F- 1.....	Weight	36
F- 2.....	Belt Cover	38
F- 3.....	Pulley	40
F- 4.....	Handle	42
F- 5.....	Swing Handle	46
F- 6.....	Handle Column	48
F- 7.....	Oil Bath Air Cleaner	50
F- 8.....	Hitch Box • Tool	52
F- 9.....	Head Light	54
F-10.....	Wheel	56
F-11.....	Engineframe.....	58
F-12.....	Mission	60
F-13.....	Oil Pump	62
F-14.....	Wheel Shaft.....	64
F-15.....	Change Shaft • Brake Shoe	66
F-16.....	Left Case	68
F-17.....	Right Case	70

E-1 Fuel Tank



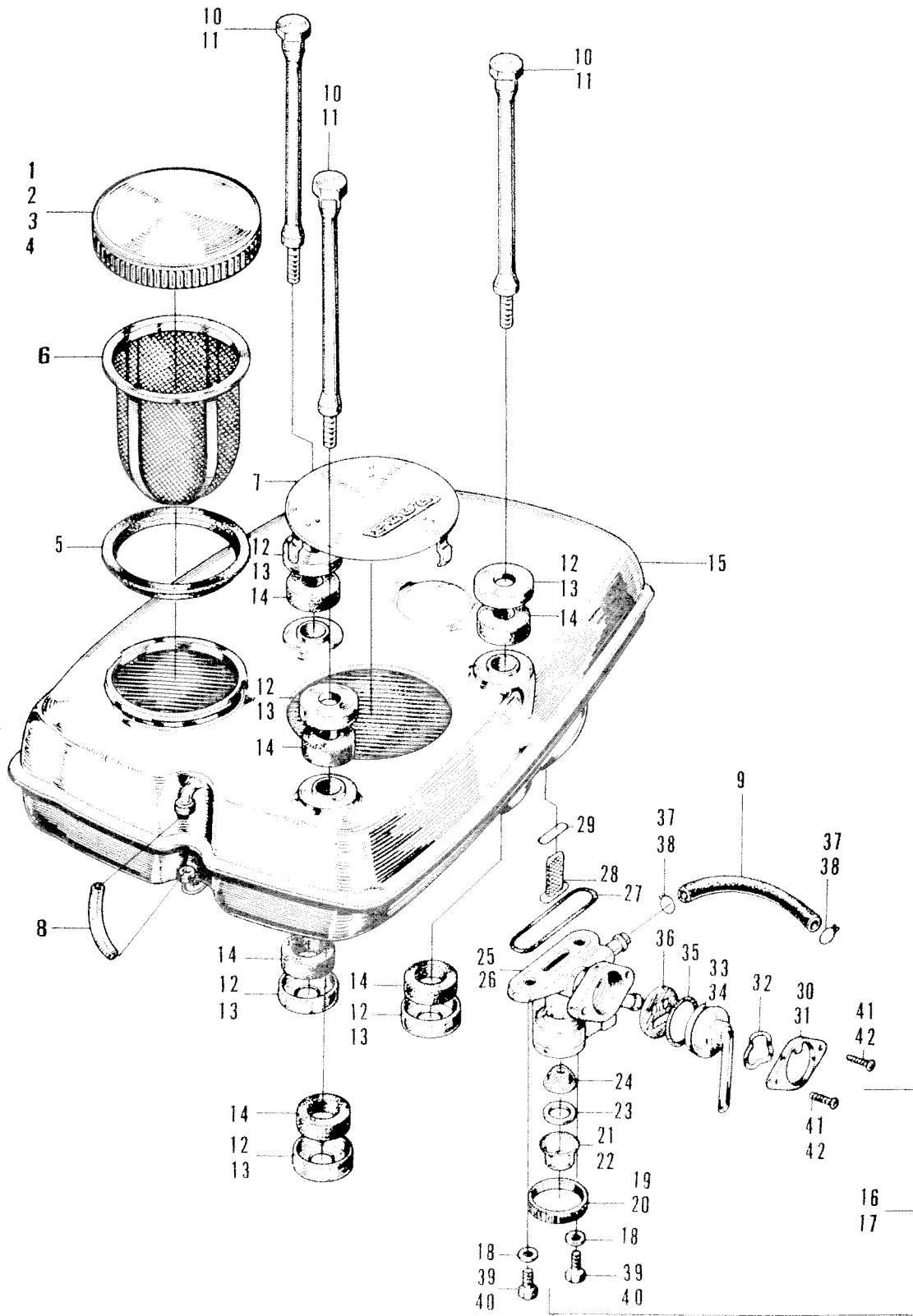
E-1 Fuel Tank

Ref. No.	Part No.	Description	Reqd. No.							No. Used on		Remar
			G40 D	G40 M	G40 B	G40 D	G40 E	G40 F	G40 W	From	To	
1	17650-805-000	CAP, fuel tank	1	-	-	1	-	-	-	1	G40-1000012	
2	17650-806-000	CAP, fuel tank	-	1	-	-	-	-	-	-	G40-1000012	
3	17650-806-620	CAP, fuel tank	-	-	1	-	-	-	-	-	G40-1000012	
4	17650-808-000	CAP, fuel tank	-	-	-	-	-	-	1	-	G40-1000012	
5	17673-703-010	PACKING, fuel filter (Superseded by 17673-703-020 with 17672-703-010)	1	1	1	1	1	1	1	1	G40-1000012	G40-1011049
	17673-703-020	PACKING, fuel filter	1	1	1	1	1	1	1	1	G40-1011050	
6	17672-703-000	FILTER, fuel (Superseded by 17672-703-010 with 17673-703-020)	1	1	1	1	1	1	1	1	G40-1000012	G40-1011049
	17672-703-010	FILTER, fuel	1	1	1	1	1	1	1	1	G40-1011050	
7	17617-822-000	COVER, plug	1	1	1	1	1	1	1	1	G40-1000012	
8	17681-822-000	TUBE, fuel level	1	1	1	-	1	1	1	1	G40-1000012	
9	16851-822-000	TUBE, fuel	1	1	1	-	1	1	1	1	G40-1000012	
10	90002-822-000	BOLT, tank setting	3	-	-	-	3	3	3	3	G40-1000012	
11	90002-822-650	BOLT, tank setting	-	3	3	-	-	-	-	-	G40-1000012	
12	90401-822-000	WASHER, tank	6	-	-	-	6	6	6	6	G40-1000012	
13	90401-822-650	WASHER, tank	-	6	6	-	-	-	-	-	G40-1000012	
14	17631-822-000	RUBBER, tank cushion	6	6	6	-	6	6	6	6	G40-1000012	
15	17500-822-000	TANK, fuel	1	1	1	-	1	1	1	1	G40-1000012	
16	16950-822-000	COCK ASSY., fuel	1	-	-	1	1	1	1	1	G40-1000012	
17	16950-822-650	COCK ASSY., fuel	-	1	1	-	-	-	-	-	G40-1000012	
18	90445-700-000	PACKING, fiber, 6 mm	2	2	2	2	2	2	2	2	G40-1000012	
19	16957-703-004	NUT, ring	1	-	-	1	1	1	1	1	G40-1000012	
20	16957-822-650	NUT, ring	-	1	1	-	-	-	-	-	G40-1000012	
21	16921-815-004	CHAMBER, fuel	1	-	-	1	1	1	1	1	G40-1000012	
22	16921-822-650	CHAMBER, fuel	-	1	1	-	-	-	-	-	G40-1000012	
23	16958-703-004	PACKING, cap	1	1	1	1	1	1	1	1	G40-1000012	
24	16931-815-004	ELEMENT	1	1	1	1	1	1	1	1	G40-1000012	
25	16961-815-014	BODY, cock	1	-	-	1	1	1	1	1	G40-1000012	
26	16961-822-650	BODY, cock	-	1	1	-	-	-	-	-	G40-1000012	

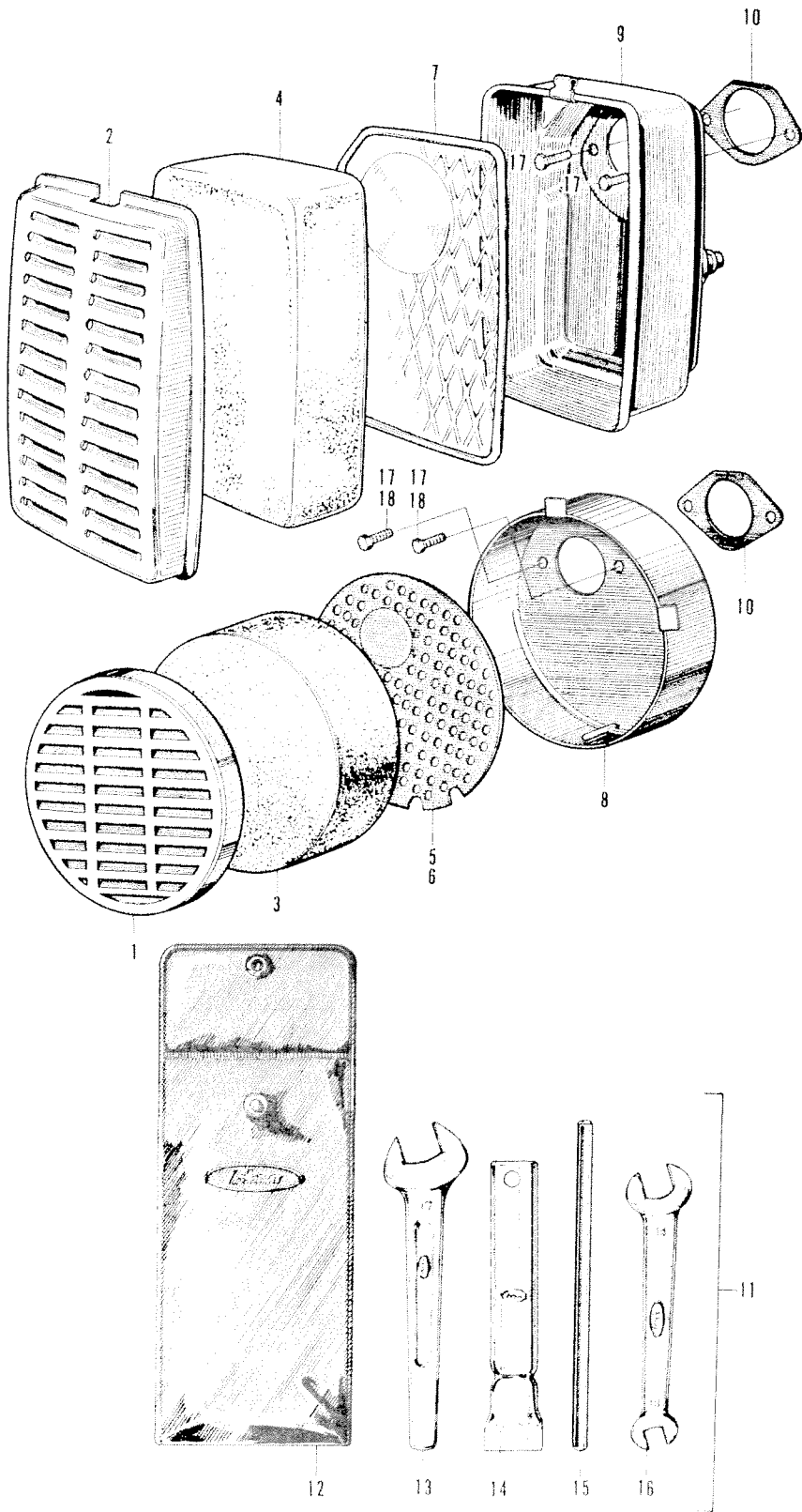
E-1 Fuel Tank

Ret. No.	Part No.	Description	Reqd. No.							No. Used on		Remarks
			640 D	640 MD	640 BD	640 ED	640 FD	640 WD	From	To		
27	16955-815-004	O-RING	1	1	1	1	1	1	1	640-100012		
28	16981-815-004	FILTER, check	1	1	1	1	1	1	1	640-100012		
29	16982-815-004	PACKING, check filter	1	1	1	1	1	1	1	640-100012		
30	16978-815-004	STOPPER, lever	1	-	-	1	1	1	1	640-100012		
31	16978-822-650	STOPPER, lever	-	1	1	-	-	-	-	640-100012		
32	16975-815-004	SPRING, cock lever	1	1	1	1	1	1	1	640-100012		
33	16972-822-004	LEVER, cock	1	-	-	1	1	1	1	640-100012	640-1005260	
		(Superseded by 16972-822-014 with 16983-815-000)										
	16972-822-014	LEVER, cock	1	-	-	1	1	1	1	640-1005261		
34	16972-822-650	LEVER, cock	-	1	1	-	-	-	-	640-100012	640-1005260	
		(Superseded by 16972-822-651 with 16983-815-000)										
	16972-822-651	LEVER, cock	-	1	1	-	-	-	-	640-1005261		
35	16983-815-000	O-RING, 21 mm	1	1	1	1	1	1	1	640-100012		
36	16973-815-014	PACKING, cock	1	1	1	1	1	1	1	640-100012		
37	95002-70000	CLIP, fuel tube, 7 mm	2	-	-	2	2	2	2	640-100012		
38	90642-822-650	CLIP, fuel tube, 7 mm	-	2	2	-	-	-	-	640-100012		
39	92000-06016	BOLT, hex., 6×16	2	-	-	2	2	2	2			
40	92000-0601602	BOLT, hex., 6×16	-	2	2	-	-	-	-			
41	93500-03006	SCREW, cross, 3×6	2	-	-	2	2	2	2			
42	93500-0300602	SCREW, cross, 3×6	-	2	2	-	-	-	-			

E-1 Fuel Tank



E-2 Air Cleaner - Tool



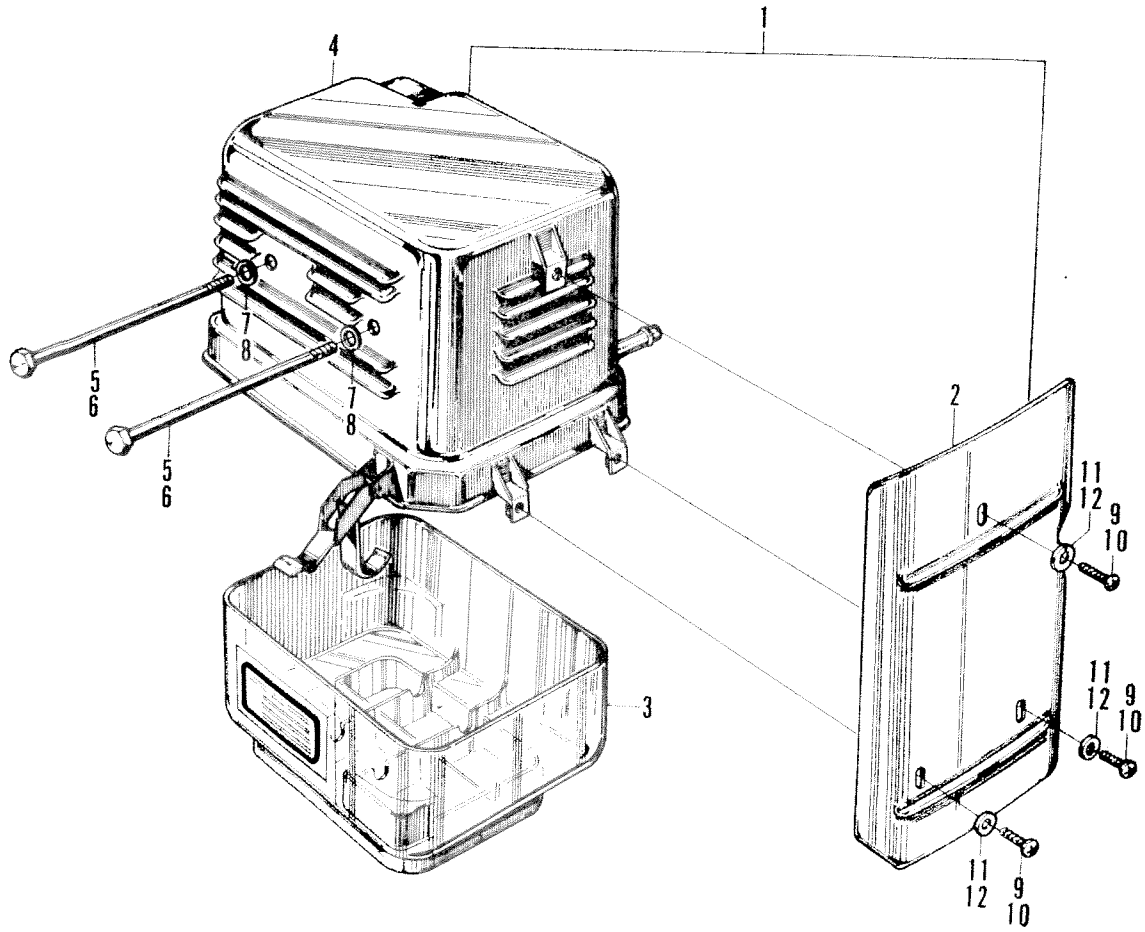
E-2 Air Cleaner - Tool

Ref. No.	Part No.	Description	Reqd. No.					No. Used on		Remarks
			640 N	640 A	640 BD	640 ED	640 WD	From	To	
1	17231-805-020C	COVER, air cleaner	1	-	1	-	1	640-1000012.....		
2	17231-807-642C	COVER, air cleaner	-	1	-	1	-	640-1000012.....		
3	17211-805-000	ELEMENT, air cleaner.....	1	-	1	-	1	640-1000012.....		
4	17211-807-641	ELEMENT, air cleaner.....	-	1	-	1	-	640-1000012.....		
5	17212-805-014	GRID, air cleaner	1	-	-	-	1	640-1000012.....		
6	17212-806-000	GRID, air cleaner	-	-	1	-	-	640-1000012.....		
7	17212-807-640	GRID, air cleaner	-	1	-	1	-	640-1000012.....		
8	17220-822-000	CASE, air cleaner	1	-	1	-	1	640-1000012.....		
9	17220-822-670	CASE, air cleaner	-	1	-	1	-	640-1000012.....		
10	16269-822-000	PACKING, air cleaner	1	1	1	1	1	640-1000012.....		
11	83010-805-000	TOOL SET	1	1	1	1	1	640-1000012.....		
12	83151-805-000	BAG, tool	1	1	1	1	1	640-1000012.....		
13	89206-805-000	SPANNER, 17 mm.....	1	1	1	1	1	640-1000012.....		
14	89216-809-000	WRENCH, sparking plug.....	1	1	1	1	1	640-1000012.....		
15	89129-805-000	HANDLE, box wrench.....	1	1	1	1	1	640-1000012.....		
16	99001-10140	SPANNER, double head, 10×14	1	1	1	1	1		
17	92000-06012	BOLT, hex., 6×12.....	2	-	-	2	2		
18	92000-0601202	BOLT, hex., 6×12.....	-	2	2	-	-		

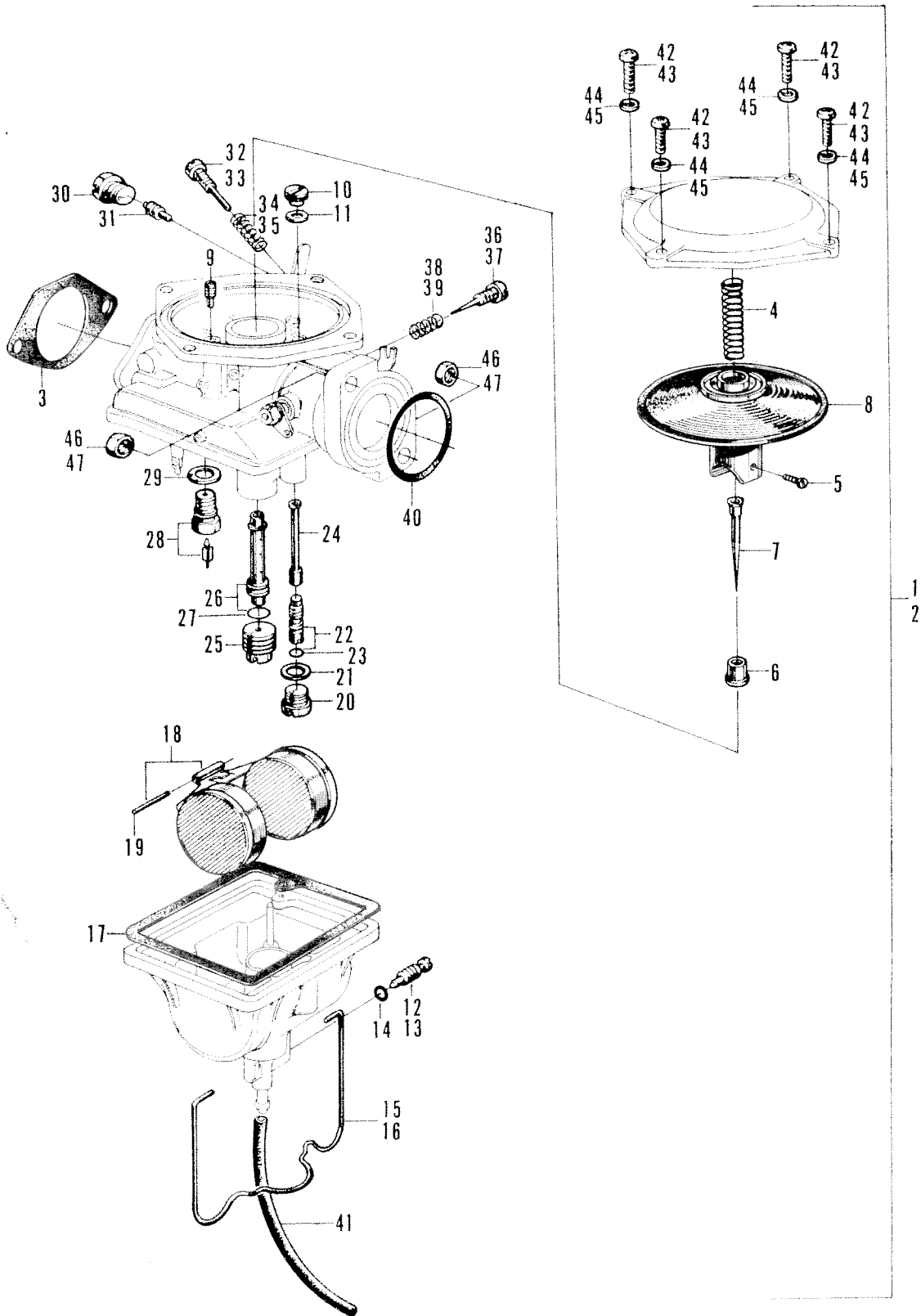
E-3 Oil Bass Air Cleaner

Ref. No.	Part No.	Description	Reqd. No.		No. Used on		Remarks
			640 D	640 MD	From	To	
1	17400-822-660C	CLEANER ASSY., oil bass air	1	1	640-1000012.....		
2	17403-822-810	PROTECTOR	1	1	640-1000012.....		
3	17402-822-660	PAN, oil	1	1	640-1000012.....		
4	17401-822-810C	BODY, cleaner	1	1	640-1000012.....		
5	92000-06090	BOLT, hex., 6×90	2	-		
6	92000-0609002	BOLT, hex., 6×90	-	2		
7	94101-06000	WASHER, flat, 6 mm	2	-		
8	94101-06200	WASHER, flat, 6 mm	-	2		
9	93500-04008	SCREW, cross, 4×8	3	-		
10	93500-0400802	SCREW, cross, 4×8	-	3		
11	94111-04000	WASHER, spring, 4 mm	3	-		
12	94111-04200	WASHER, spring, 4 mm	-	3		

E-3 Oil Bass Air Cleaner



E-4 Carburetor



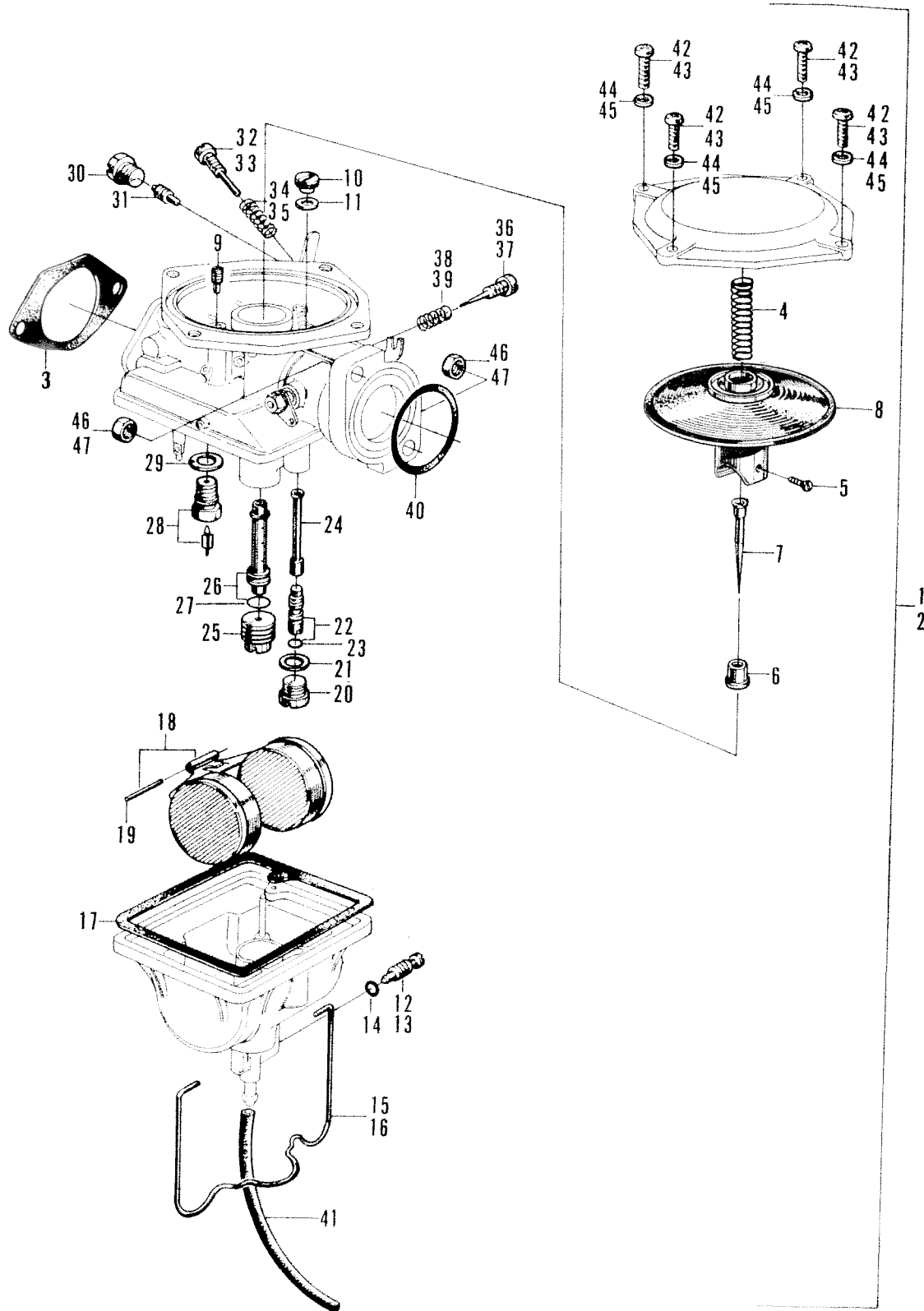
E-4 Carburetor

Ref. No.	Part No.	Description	Reqd. No.							No. Used on		Remarks
			G40 D	G40 M	G40 B	G40 E	G40 F	G40 W	From	To		
1	16100-822-000	CARBURETOR ASSY.	1	-	-	1	1	1	1	640-1000012		
2	16100-822-650	CARBURETOR ASSY.	-	1	1	-	-	-	-	640-1000012		
3	16269-822-000	PACKING, air cleaner	1	1	1	1	1	1	1	640-1000012		
4	16186-822-004	SPRING, vacuum piston	1	1	1	1	1	1	1	640-1000012		
5	16165-822-004	SCREW, needle set	1	1	1	1	1	1	1	640-1000012		
6	16152-822-004	HOLDER, jet needle	1	1	1	1	1	1	1	640-1000012		
7	16151-822-004	NEEDLE, jet	1	1	1	1	1	1	1	640-1000012		
8	16141-822-004	PISTON SET, vacuum	1	1	1	1	1	1	1	640-1000012		
9	99134-823-0700	JET, air (#70) S.T.D.	1	1	1	1	1	1	1	640-1000012		
10	16168-823-004	SCREW, plug	1	1	1	1	1	1	1	640-1000012		
11	16170-823-004	WASHER, fiber, 3φ	1	1	1	1	1	1	1	640-1000012		
12	16164-701-004	SCREW, drain	1	-	-	1	1	1	1	640-1000012		
13	16164-822-650	SCREW, drain	-	1	1	-	-	-	-	640-1000012		
14	16175-260-004	O RING, 2.8φ	1	1	1	1	1	1	1	640-1000012		
15	16187-822-004	CLIP, float chamber setting	1	-	-	1	1	1	1	640-1000012		
16	16187-822-650	CLIP, float chamber setting	-	1	1	-	-	-	-	640-1000012		
17	16172-822-004	WASHER, float chamber	1	1	1	1	1	1	1	640-1000012		
18	16122-822-004	FLOAT SET	1	1	1	1	1	1	1	640-1000012		
19	16126-823-004	PIN, float arm	1	1	1	1	1	1	1	640-1000012		
20	16166-822-004	SCREW, plug	1	1	1	1	1	1	1	640-1000012		
21	16174-822-004	PACKING, fiber, 7.2φ	1	1	1	1	1	1	1	640-1000012		
22	16138-822-004	HOLDER, pilot	1	1	1	1	1	1	1	640-1000012		
23	16177-822-004	O-RING, 3.5φ	1	1	1	1	1	1	1	640-1000012		
24	99124-822-0450	JET, pilot (#45) S.T.D.	1	1	1	1	1	1	1	640-1000012		
	99124-822-0480	JET, pilot (#48)	1	1	1	1	1	1	1	640-1000012		
25	99114-822-0680	JET, main (#68)	1	1	1	1	1	1	1	640-1000012		
	99114-822-0700	JET, main (#70)	1	1	1	1	1	1	1	640-1000012		
	99114-822-0720	JFT, main (#72)	1	1	1	1	1	1	1	640-1000012		
	99114-822-0750	JET, main (#75) S.T.D.	1	1	1	1	1	1	1	640-1000012		

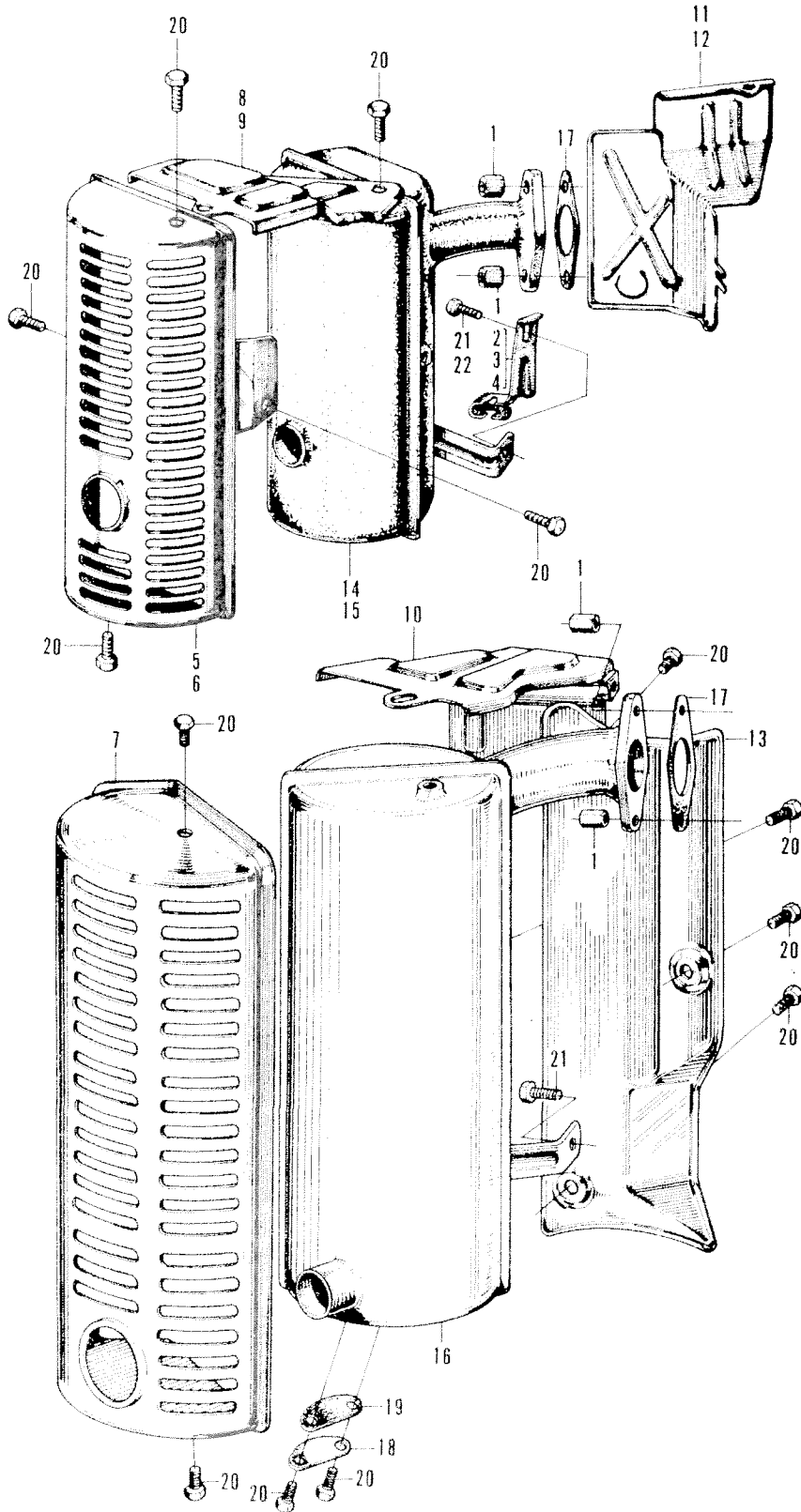
E-4 Carburetor

Ref. No.	Part No.	Description	Reqd. No.							No. Used on		Remarks
			G40 D	G40 M	G40 B	G40 E	G40 F	G40 W	From	To		
	99114-822-0780	JET, main (#78).....	1	1	1	1	1	1	1	640-1000012		
	99114-822-0800	JET, main (#80).....	1	1	1	1	1	1	1	640-1000012		
	99114-822-0820	JET, main (#82).....	1	1	1	1	1	1	1	640-1000012		
	99114-822-0850	JET, main (#85).....	1	1	1	1	1	1	1	640-1000012		
26	16134-822-004	NOZZLE, main.....	1	1	1	1	1	1	1	640-1000012		
27	16176-822-004	O-RING, 5.7ϕ.....	1	1	1	1	1	1	1	640-1000012		
28	16125-822-004	VALVE SET, float.....	1	1	1	1	1	1	1	640-1000012		
29	16173-822-004	PACKING, fiber, 7.2ϕ.....	1	1	1	1	1	1	1	640-1000012		
30	16167-822-004	SCREW, air jet plug.....	1	1	1	1	1	1	1	640-1000012		
31	16169-822-004	SCREW, pilot stop.....	1	1	1	1	1	1	1	640-1000012		
32	16163-809-004	SCREW, throttle stop.....	1	-	-	1	1	1	1	640-1000012		
33	16163-810-004	SCREW, throttle stop.....	-	1	1	-	-	-	-	640-1000012		
34	16182-809-004	SPRING, throttle stop.....	1	-	-	1	1	1	1	640-1000012		
35	16182-810-004	SPRING, throttle stop.....	-	1	1	-	-	-	-	640-1000012		
36	16161-809-004	SCREW, pilot.....	1	-	-	1	1	1	1	640-1000012		
37	16161-810-004	SCREW, pilot.....	-	1	1	-	-	-	-	640-1000012		
38	16181-809-004	SPRING, air screw.....	1	-	-	1	1	1	1	640-1000012		
39	16181-810-004	SPRING, air screw.....	-	1	1	-	-	-	-	640-1000012		
40	16173-260-004	O-RING, 29ϕ.....	1	1	1	1	1	1	1	640-1000012		
41	16235-805-000	PIPE, over flow.....	1	1	1	1	1	1	1	640-1000012		
42	93500-05012	SCREW, cross, 5×12.....	4	-	-	4	4	4	4			
43	93500-0501202	SCREW, cross, 5×12.....	-	4	4	-	-	-	-			
44	94111-05000	WASHER, spring, 5 mm.....	4	-	-	4	4	4	4			
45	94111-05200	WASHER, spring, 5 mm.....	-	4	4	-	-	-	-			
46	94001-06000	NUT, hex., 6 mm.....	2	-	-	2	2	2	2			
47	94001-06020	NUT, hex., 6 mm.....	-	2	2	-	-	-	-			

E-4 Carburetor



E-5 Muffler



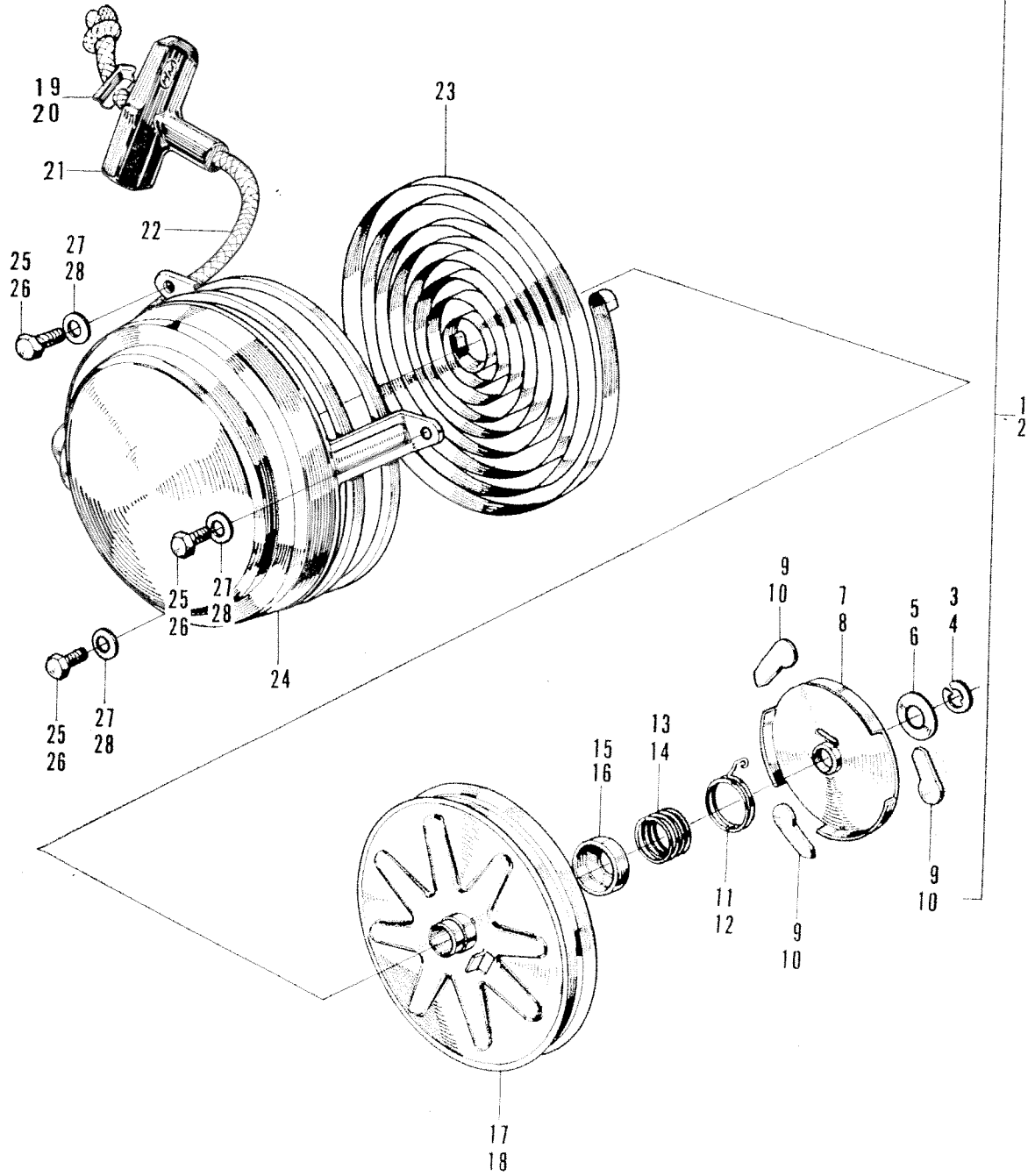
E-5 Muffler

Ref. No.	Part No.	Description	Reqd. No.							No. Used on		Remarks
			G40 D	G40 MD	G40 BD	G40 ED	G40 FD	G40 WD	From	To		
1	90381-703-000	NUT, hex., 6ϕ	2	2	2	2	2	2	2	G40-1000012		
2	16591-805-000	HOLDER, throttle wire	1	-	-	1	-	-	1	G40-1000012		
3	16591-806-000	HOLDER, throttle wire	-	1	1	-	-	-	-	G40-1000012		
4	16591-805-820	HOLDER, throttle wire	-	-	-	-	-	1	-	G40-1000012		
5	18361-822-020	PROTECTOR, muffler	1	1	-	-	-	1	1	G40-1000012		
6	18361-908-000	PROTECTOR, muffler	-	-	1	-	-	-	-	G40-1000012		
7	18361-805-640	PROTECTOR, muffler	-	-	-	1	-	-	-	G40-1000012		
8	18365-822-020	COVER, exhaust pipe	1	-	-	-	-	1	1	G40-1000012		
9	18365-822-650	COVER, exhaust pipe	-	1	1	-	-	-	-	G40-1000012		
10	18365-815-010	COVER, exhaust pipe	-	-	-	1	-	-	-	G40-1000012		
11	18363-822-010	PLATE, muffler separate	1	-	-	-	-	1	1	G40-1000012		
12	18363-822-651	PLATE, muffler separate	-	1	1	-	-	-	-	G40-1000012		
13	18363-805-640	PLATE, muffler separate	-	-	-	1	-	-	-	G40-1000012		
14	18300-822-020	MUFFLER	1	1	-	-	-	1	1	G40-1000012		
15	18300-908-000	MUFFLER	-	-	1	-	-	-	-	G40-1000012		
16	18300-815-010	MUFFLER	-	-	-	1	-	-	-	G40-1000012		
17	18351-822-000	PACKING, muffler	1	1	1	1	1	1	1	G40-1000012		
18	18371-815-000	LID, muffler	-	-	-	1	-	-	-	G40-1000012		
19	18372-815-000	PACKING, muffler lid	-	-	-	1	-	-	-	G40-1000012		
20	92000-0600802	BOLT, hex., 6×8	5	5	5	5	7	5	5			
21	92000-06016	BOLT, hex., 6×16	1	-	-	1	1	1	1			
22	92000-0601602	BOLT, hex., 6×16	-	1	1	-	-	-	-			

E-6 Recoil Starter

Ref. No.	Part No.	Description	Reqd. No.						No. Used on		Remarks
			640 D	640 M	640 B	640 E	640 F	640 W	From	To	
1	28400-822-810C	STARTER ASSY., recoil	1	-	-	1	1	1	640-1000012		
2	28400-822-650C	STARTER ASSY., recoil	-	1	1	-	-	-	640-1000012		
3	28423-809-810	E-RING	1	-	-	1	1	1	640-1000012		
4	28423-810-810	E-RING	-	1	1	-	-	-	640-1000012		
5	90482-809-810	WASHER B	1	-	-	1	1	1	640-1000012		
6	90482-822-650	WASHER B	-	1	1	-	-	-	640-1000012		
7	28445-809-810	PLATE, friction	1	-	-	1	1	1	640-1000012		
8	28445-822-650	PLATE, friction	-	1	1	-	-	-	640-1000012		
9	28441-809-810	RATCHET, starter	3	-	-	3	3	3	640-1000012		
10	28441-822-650	RATCHET, starter	-	3	3	-	-	-	640-1000012		
11	28455-822-810	SPRING, set	1	-	-	1	1	1	640-1000012		
12	28455-822-650	SPRING, set	-	1	1	-	-	-	640-1000012		
13	28446-809-810	SPRING, friction	1	-	-	1	1	1	640-1000012		
14	28446-822-650	SPRING, friction	-	1	1	-	-	-	640-1000012		
15	90481-809-810	WASHER A	1	-	-	1	1	1	640-1000012		
16	90481-822-650	WASHER A	-	1	1	-	-	-	640-1000012		
17	28420-809-810	PULLEY, recoil starter	1	-	-	1	1	1	640-1000012		
18	28420-822-650	PULLEY, recoil starter	-	1	1	-	-	-	640-1000012		
19	28465-809-810	STOPPER, rope	1	-	-	1	1	1	640-1000012		
20	28465-822-650	STOPPER, rope	-	1	1	-	-	-	640-1000012		
21	28461-805-810	KNOB, starter	1	1	1	1	1	1	640-1000012		
22	28471-809-810	ROPE, recoil starter	1	1	1	1	1	1	640-1000012		
23	28451-809-810	SPRING, starter return	1	1	1	1	1	1	640-1000012		
24	28410-822-810C	CASE, starter	1	1	1	1	1	1	640-1000012		
25	92000-06012	BOLT, hex., 6×12	2	-	-	2	2	2			
26	92000-0601202	BOLT, hex., 6×12	-	2	2	-	-	-			
27	94101-06000	WASHER, flat, 6 mm	3	-	-	3	3	3			
28	94101-06020	WASHER, flat, 6 mm	-	3	3	-	-	-			

E-6 Recoil Starter



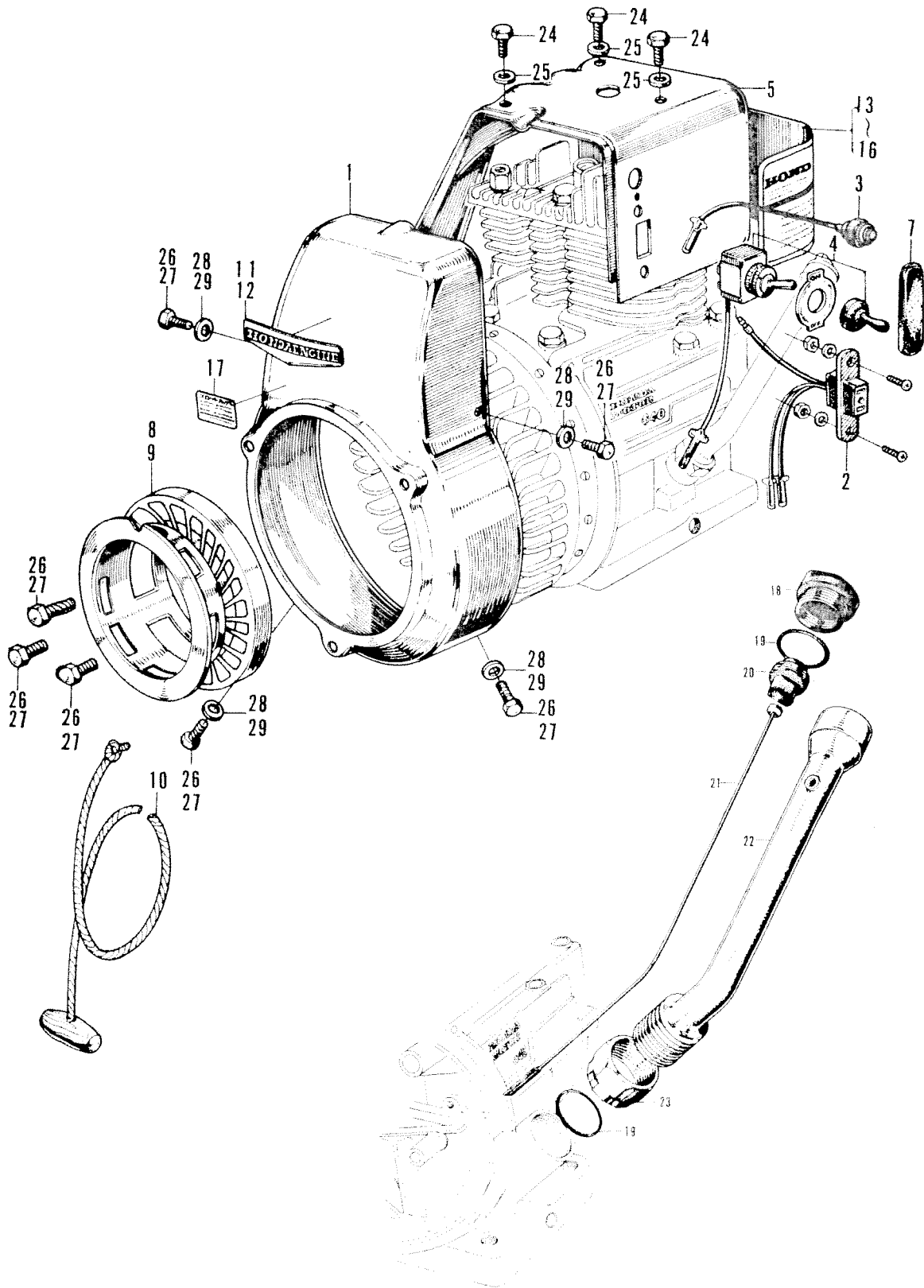
E-7 Governor Control

Ref. No.	Part No.	Description	Reqd. No.						No. Used on		Remark
			G40 D	G40 M	G40 B	G40 E	G40 F	G40 W	From	To	
1	16551-805-000	SPRING, governor	1	-	-	1	1	-	-	G40-1000012	
2	16551-806-000	SPRING, governor	-	1	1	-	-	-	-	G40-1000012	
3	16551-822-730	SPRING, governor	-	-	-	-	-	1	-	G40-1000012	
4	16564-822-000	BOLT, spring adjusting	1	-	-	1	-	1	-	G40-1000012	
5	16564-822-650	BOLT, spring adjusting	-	1	-	-	-	-	-	G40-1000012	
6	16566-822-000	NUT, control stopper	1	-	-	1	-	1	-	G40-1000012	
7	16566-822-650	NUT, control stopper	-	1	-	-	-	-	-	G40-1000012	
8	90601-822-000	CLIP, 6 mm	1	-	-	1	-	1	-	G40-1000012	
9	90601-822-650	CLIP, 6 mm	-	1	-	-	-	-	-	G40-1000012	
10	16561-822-010	SCREW, governor adjusting	1	-	-	1	-	1	-	G40-1000012	
11	16561-822-650	SCREW, governor adjusting	-	1	-	-	-	-	-	G40-1000012	
12	16560-822-000	PLATE, governor adjusting	1	-	-	1	-	1	-	G40-1000012	
13	16560-822-650	PLATE, governor adjusting	-	1	-	-	-	-	-	G40-1000012	
14	16562-822-010C	CASE, control	1	1	-	1	-	1	-	G40-1000012	
15	16541-822-000	ARM, governor	1	-	-	1	1	1	-	G40-1000012	
16	16541-822-650	ARM, governor	-	1	1	-	-	-	-	G40-1000012	
17	16545-822-000	ROD, governor	1	-	-	1	1	1	-	G40-1000012	
18	16545-822-650	ROD, governor	-	1	1	-	-	-	-	G40-1000012	
19	16535-822-010	SHAFT, governor arm	1	-	-	1	1	1	-	G40-1000012	
20	16535-822-650	SHAFT, governor arm	-	1	1	-	-	-	-	G40-1000012	
21	92000-06012	BOLT, hex., 6×12	2	-	-	2	-	2	-		
22	92000-0601202	BOLT, hex., 6×12	-	2	-	-	-	-	-		
23	94101-06000	WASHER, flat, 6 mm	2	-	-	2	-	2	-		
24	94101-06200	WASHER, flat, 6 mm	-	2	-	-	-	-	-		
25	94002-04000	NUT, hex., 4 mm	2	-	-	2	-	2	-		
26	94002-04020	NUT, hex., 4 mm	-	2	-	-	-	-	-		
27	94201-16120	PIN, cotter, 1.6 mm	1	1	-	1	-	1	-		
28	92000-06016	BOLT, hex., 6×16	1	-	-	1	1	1	-		
29	92000-0601602	BOLT, hex., 6×16	-	1	1	-	-	-	-		
30	94001-06000	NUT, hex., 6 mm	1	-	-	1	1	1	-		
31	94001-06020	NUT, hex., 6 mm	-	1	1	-	-	-	-		

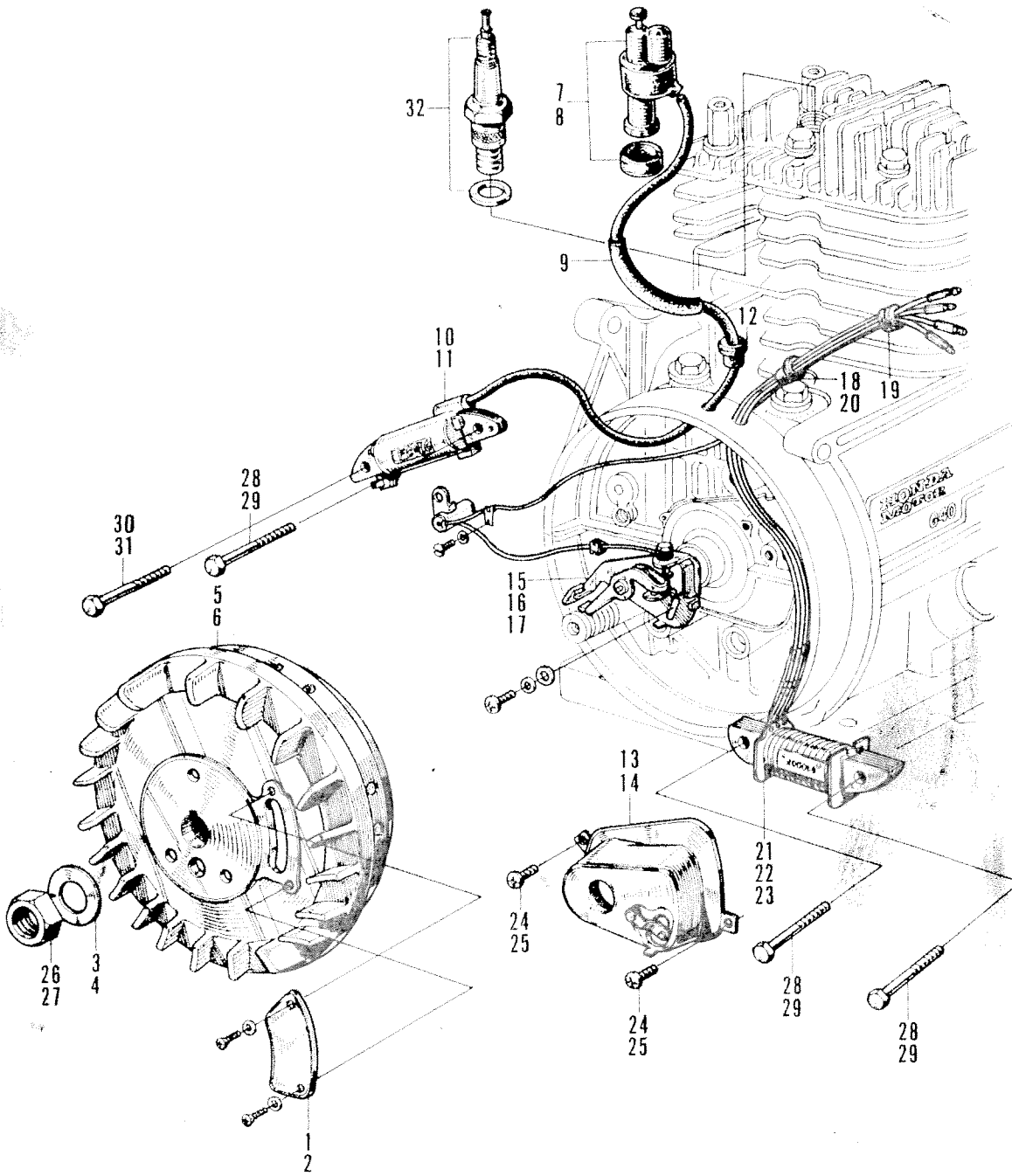
E-8 Cover · Oil Level Gauge

Ref. No.	Part No.	Description	Reqd. No.						No. Used on		Remarks
			G40 D	G40 M	G40 B	G40 E	G40 F	G40 W	From	To	
1	19600-822-010C	COVER, fan	1	1	1	1	1	1	640-1000012		
2	32300-808-610	CONSENT ASSY. (Used on general type)	-	-	-	-	1	-	640-1000012		
3	36100-809-010	SWITCH ASSY., engine stop	-	-	-	-	1	-	640-1000012		
4	36100-811-000	SWITCH ASSY., engine	1	1	1	-	-	1	640-1000012		
5	19611-822-000C	COVER, side	1	1	1	1	1	1	640-1000012		
6	19901-807-000	DEFENDER, side cover	1	1	1	-	-	1	640-1000012		
7	19901-805-000	DEFENDER, side cover	-	-	-	1	-	-	640-1000012		
8	28430-822-010	PULLEY, starter ratchet	1	-	-	1	1	1	640-1000012		
9	28430-822-650	PULLEY, starter ratchet	-	1	1	-	-	-	640-1000012		
10	28470-805-000	ROPE, starter	1	1	1	1	1	1	640-1000012		
11	87101-805-000	MARK, top	1	1	1	1	1	1	640-1000012		
12	87101-807-810	MARK, top (Used on France)	-	-	-	-	1	-	640-1000012		
13	87521-822-660	PLATE, description	1	1	-	-	1	-	640-1000012		
14	87521-709-000	PLATE, description (Used on France)	-	-	-	-	1	-	640-1000012		
15	87521-908-000	PLATE, description	-	-	1	-	-	1	640-1000012		
16	87521-815-010	PLATE, description	-	-	-	1	-	-	640-1000012		
17	87531-822-660	MARK, throttle	1	1	-	1	-	1	640-1000012		
18	15611-805-010	CAP, oil	-	-	-	1	-	-	640-1000012		
19	91301-805-000	O-RING, 26×2.7	-	-	-	2	-	-	640-1000012		
20	15663-815-000	STOPPER, oil level gauge	-	-	-	1	-	-	640-1000012		
21	15652-815-000	GAUGE, oil level	-	-	-	1	-	-	640-1000012		
22	15630-815-030	PIPE, oil	-	-	-	1	-	-	640-1000012		
23	15668-815-000	NUT, joint	-	-	-	1	-	-	640-1000012		
24	92000-08016	NUT, hex., 8×16	-	-	-	3	-	-			
25	94101-08000	WASHER, flat, 8 mm	-	-	-	3	-	-			
26	92000-06012	BOLT, hex., 6×12	8	-	-	8	8	8			
27	92000-0601202	BOLT, hex., 6×12	-	8	8	-	-	-			
28	94101-06000	WASHER, flat, 6 mm	5	-	-	5	5	5			
29	94101-06200	WASHER, flat, 6 mm	-	5	5	-	-	-			

E-8 Cover · Oil Level Gauge



E-9 Magneto



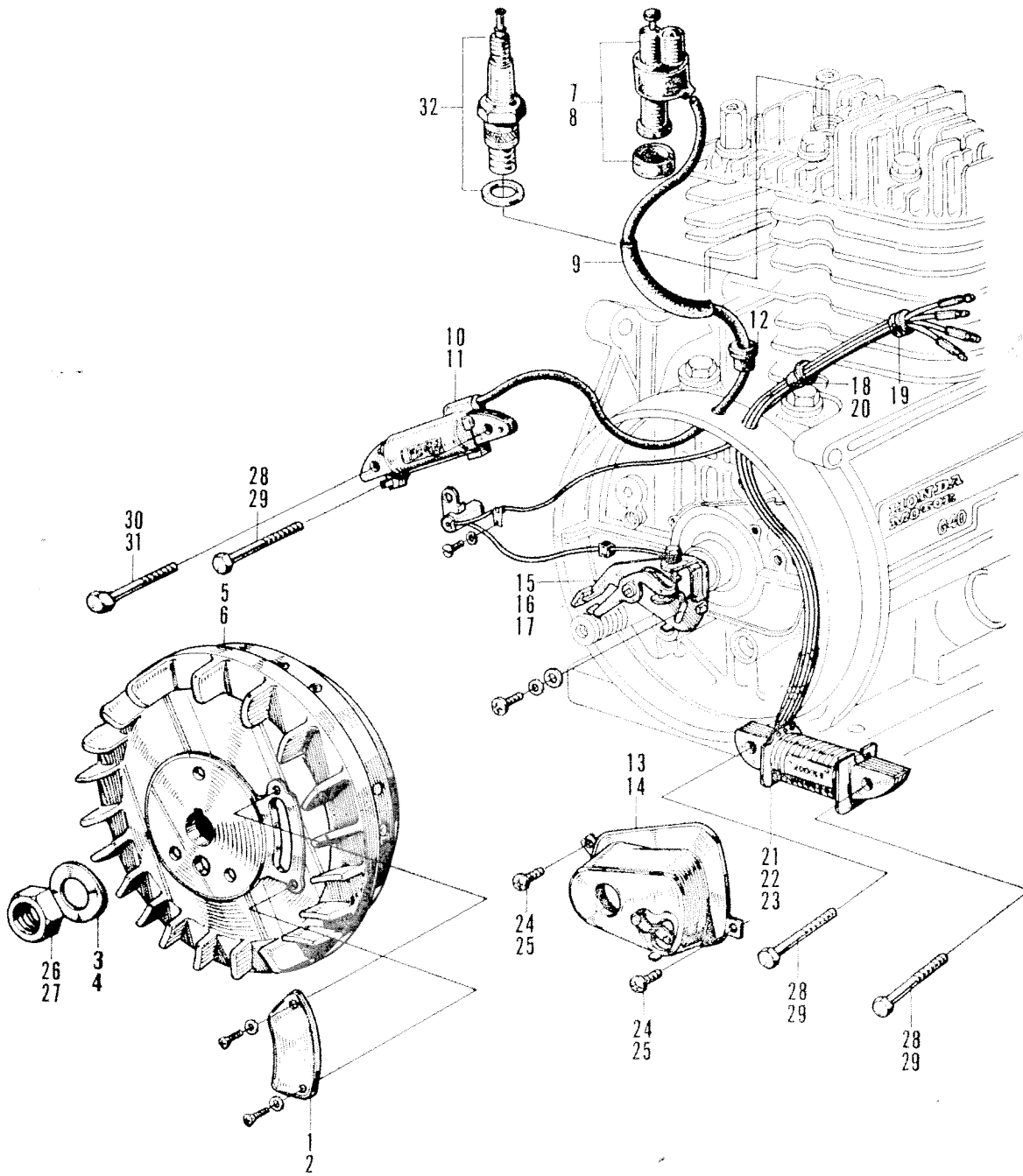
E-9 Magneto

Ref. No.	Part No.	Description	Reqd. No.						No. Used on		Remarks
			640 D	640 M	640 B	640 E	640 F	640 W	From	To	
1	31125-822-000	COVER, fly wheel window	1	-	-	1	1	1	640-1000012		
2	31125-822-650	COVER, fly wheel window	-	1	1	-	-	-	640-1000012		
3	90408-822-000	WASHER, 12 mm	1	-	-	1	1	1	640-1000012	640-1012004	
	90408-822-000	WASHER, 14 mm	1	-	-	1	1	1	640-1012005		
4	90408-822-650	WASHER, 12 mm	-	1	1	-	-	-	640-1000012	640-1012004	
	90408-822-651	WASHER, 14 mm	-	1	1	-	-	-	640-1012005		
5	31121-822-020	MAGNETO, fly wheel	1	-	-	1	1	1	640-1000012	640-1012004	
		(Superseded by 31121-822-030 with 13311-822-020, 90408-822-010, 94002-14000 and 90743-822-010)									
	31121-822-030	MAGNETO, fly wheel	1	-	-	1	1	1	640-1012005		
6	31121-822-650	MAGNETO, fly wheel	-	1	1	-	-	-	640-1000012	640-1012004	
		(Superseded by 31121-822-651 with 13311-822-020, 90408-822-651, 94002-14020 and 90743-822-010)									
	31121-822-651	MAGNETO, fly wheel	-	1	1	-	-	-	640-1012005		
7	30600-822-000	TERMINAL ASSY., high tension	1	1	1	-	1	1	640-1000012		
8	30600-815-000	TERMINAL ASSY., high tension	-	-	-	1	-	-	640-1000012		
9	30565-822-000	TUBE, high tension rubber	1	1	1	1	1	1	640-1000012		
10	30560-822-000	COIL, high tension	1	-	-	1	1	1	640-1000012		
11	30560-822-650	COIL, high tension	-	1	1	-	-	-	640-1000012		
12	32951-703-000	GROMMET, cord	1	1	1	1	1	1	640-1000012		
13	30210-822-000	COVER, point	1	-	-	1	1	1	640-1000012		
14	30210-822-650	COVER, point	-	1	1	-	-	-	640-1000012		
15	30230-822-010	CONDENCER ASSY., breaker	1	-	-	-	1	1	640-1000012		
16	30280-822-650	CONDENCER ASSY., breaker	-	1	1	-	-	-	640-1000012		
17	30280-815-013	CONDENCER ASSY., breaker	-	-	-	1	-	-	640-1000012		
18	32952-805-020	GROMMET, cord	1	1	1	-	1	1	640-1000012		
19	36151-805-641	GROMMET A, cord	-	-	-	1	-	-	640-1000012		
20	36152-805-640	GROMMET B, cord	-	-	-	1	-	-	640-1000012		

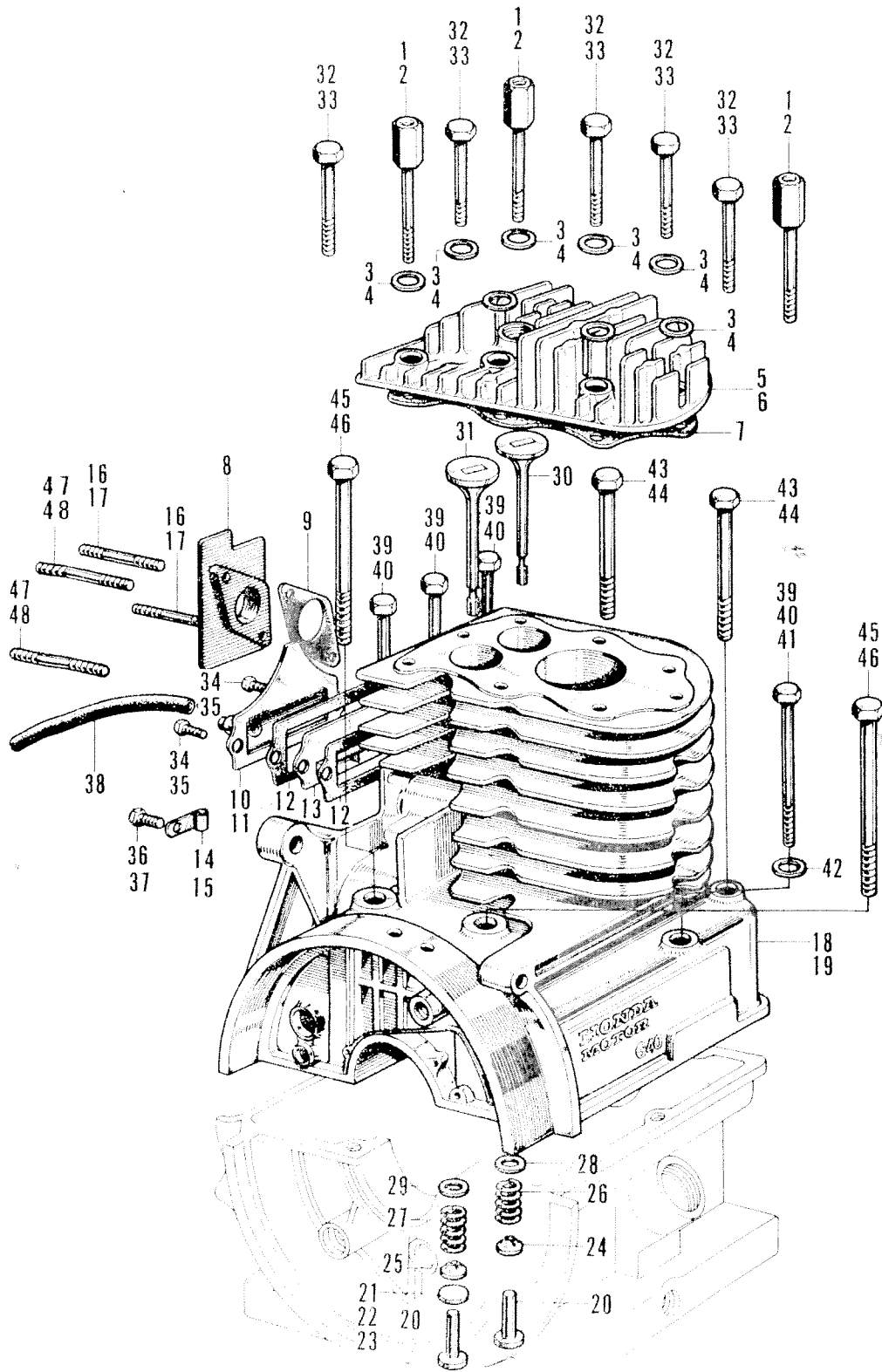
E-9 Magneto

Ref. No.	Part No.	Description	Reqd. No.						No. Used on		Remarks
			640 D	640 M	640 B	640 E	640 F	640 W	From	To	
21	31521-815-169	COIL, exciter	-	-	-	1	-	-	640-1000012		
22	31521-805-642	COIL, exciter	-	-	-	1	-	-	640-1000012		
23	31511-822-810	COIL, lamp, 6V (Used on general type)	-	-	-	1	-	-	640-1000012		
24	93500-05010	SCREW, cross, 5x10	2	-	-	2	2	2			
25	93500-0501002	SCREW, cross, 5x10	-	2	2	-	-	-			
26	94001-12000	NUT, hex., 12 mm	2	-	-	2	2	2	640-1012004		
	94002-14000	NUT, hex., 14 mm	2	-	-	2	2	2	640-1012005		
27	94001-12020	NUT, hex., 12 mm	-	2	2	-	-	-	640-1012004		
	94002-14020	NUT, hex., 14 mm	-	2	2	-	-	-	640-1012005		
28	92000-06028	BOLT, hex., 6x28	3	-	-	3	3	3			
29	92000-0602802	BOLT, hex., 6x28	-	3	3	-	-	-			
30	92000-06036	BOLT, hex., 6x36	1	-	-	1	1	1			
31	92000-0603602	BOLT, hex., 6x36	-	1	1	-	-	-			
32	98076-56710	PLUG, sparking (B-6H)	1	1	1	1	1	1			

E-9 Magneto



E-10 Cylinder



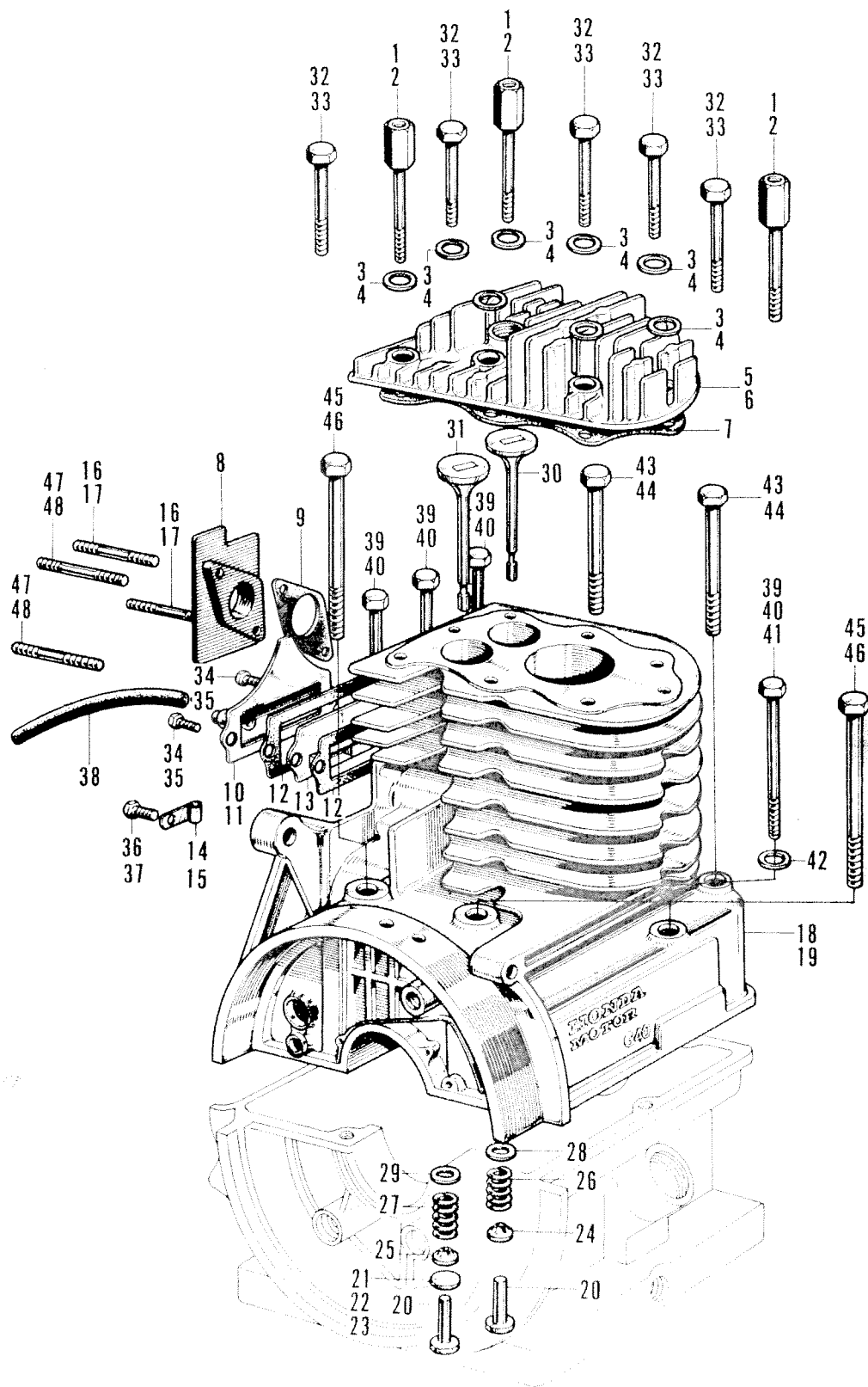
E-10 Cylinder

Ref. No.	Part No.	Description	Reqd. No.						No. Used on		Remarks
			640 D	640 M	640 B	640 E	640 F	640 W	From	To	
1	90001-822-000	BOLT, cylinder head clamp	3	-	-	3	3	3	640-1000012		
2	90001-822-650	BOLT, cylinder head clamp	-	3	3	-	-	-	640-1000012		
3	90402-822-000	WASHER, head, 8 mm	8	-	-	8	8	8	640-1000012		
4	90402-822-650	WASHER, head, 8 mm	-	8	8	-	-	-	640-1000012		
5	12201-822-000	HEAD, cylinder	1	-	-	1	1	1	640-1000012		
6	12201-822-650	HEAD, cylinder	-	1	1	-	-	-	640-1000012		
7	12251-822-000	GASKET, cylinder head	1	1	1	1	1	1	640-1000012		
8	16211-822-010	INSULATOR, carburetor	1	1	1	1	1	1	640-1000012		
9	16229-822-010	PACKING, insulator	1	1	1	1	1	1	640-1000012		
10	12361-822-000	COVER, tappet	1	-	-	1	1	1	640-1000012		
11	12361-822-650	COVER, tappet	-	1	1	-	-	-	640-1000012		
12	12372-822-000	PACKING, breather case	2	2	2	2	2	2	640-1000012		
13	12371-822-000	CASE, breather	1	1	1	1	1	1	640-1000012		
14	16237-709-000	STAY, over flow pipe	1	-	-	1	1	1	640-1000012		
15	16237-822-650	STAY, over flow pipe	-	1	1	-	-	-	640-1000012		
16	90061-822-000	BOLT, stud, 8x45	2	-	-	2	2	2	640-1000012		
17	90061-822-650	BOLT, stud, 8x45	-	2	2	-	-	-	640-1000012		
18	12100-822-030	CYLINDER	1	-	-	1	1	1	640-1000012		
19	12100-822-650	CYLINDER	-	1	1	-	-	-	640-1000012		
20	14731-822-000	LIFTER, valve	2	2	2	2	2	2	640-1000012		
21	14777-822-305	ADJUSTER, tappet clearance (5.2~5.3)	1	1	1	1	1	1	640-1000012		
22	14777-822-315	ADJUSTER, tappet clearance (5.5~5.6)	1	1	1	1	1	1	640-1000012		
23	14777-822-325	ADJUSTER, tappet clearance (5.9~6.0)	1	1	1	1	1	1	640-1000012		
24	14771-805-000	RETAINER, valve spring (inlet side)	1	1	1	1	1	1	640-1000012		
25	14771-822-010	RETAINER, valve spring (exhaust side)	1	1	1	1	1	1	640-1000012		
26	14751-805-000	SPRING, valve (inlet side)	1	1	1	1	1	1	640-1000012		
27	14751-822-000	SPRING, valve (exhaust side)	1	1	1	1	1	1	640-1000012		
28	14775-805-010	SEAT, valve spring (inlet side)	1	1	1	1	1	1	640-1000012		
29	14775-822-000	SEAT, valve spring (exhaust side)	1	1	1	1	1	1	640-1000012		

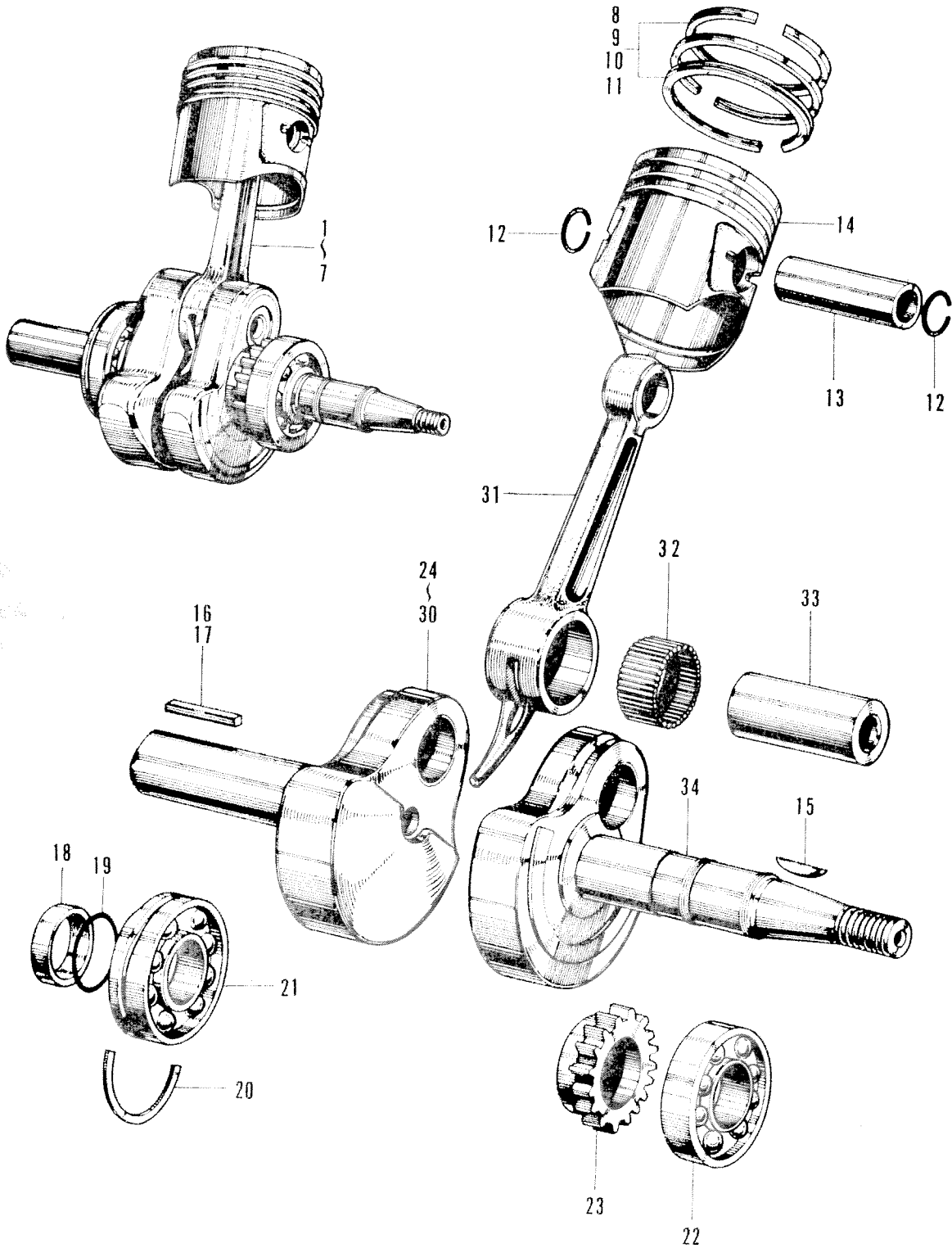
E-10 Cylinder

Ref. No.	Part No.	Description	Reqd. No.						No. Used on		Remarks
			G40 D	G40 M	G40 B	G40 D	G40 E	G40 F	From	To	
30	14711-822-010	VALVE, inlet	1	1	1	1	1	1	640-1000012		
31	14721-822-010	VALVE, exhaust	1	1	1	1	1	1	640-1000012		
32	92025-08045	BOLT, hex., 8×45	5	-	-	5	5	5			
33	92025-0804502	BOLT, hex., 8×45	-	5	5	-	-	-			
34	92000-06016	BOLT, hex., 6×16	2	-	-	2	2	2			
35	92000-0601602	BOLT, hex., 6×16	-	2	2	-	-	-			
36	92000-06012	BOLT, hex., 6×12	1	-	-	1	1	1			
37	92000-0601202	BOLT, hex., 6×12	-	1	1	-	-	-			
38	95001-80110	TUBE, fuel, 8×110	1	1	1	1	1	1			
39	92000-06071	BOLT, hex., 6×71	4	-	-	3	3	4			
40	92000-0607102	BOLT, hex., 6×71	-	4	4	-	-	-			
41	92000-06080	BOLT, hex., 6×80	-	-	-	1	1	-			
42	94101-06000	WASHER, flat, 6 mm	-	-	-	1	-	-			
43	92000-08070	BOLT, hex., 8×70	2	-	-	2	2	2			
44	92000-0807002	BOLT, hex., 8×70	-	2	2	-	-	-			
45	92000-08100	BOLT, hex., 8×100	2	-	-	2	2	2			
46	92000-0810002	BOLT, hex., 8×100	-	2	2	-	-	-			
47	92700-06032	BOLT, stud, 6×32	2	-	-	2	2	2			
48	92700-0603202	BOLT, stud, 6×32	-	2	2	-	-	-			

E-10 Cylinder



E-11 Crankshaft



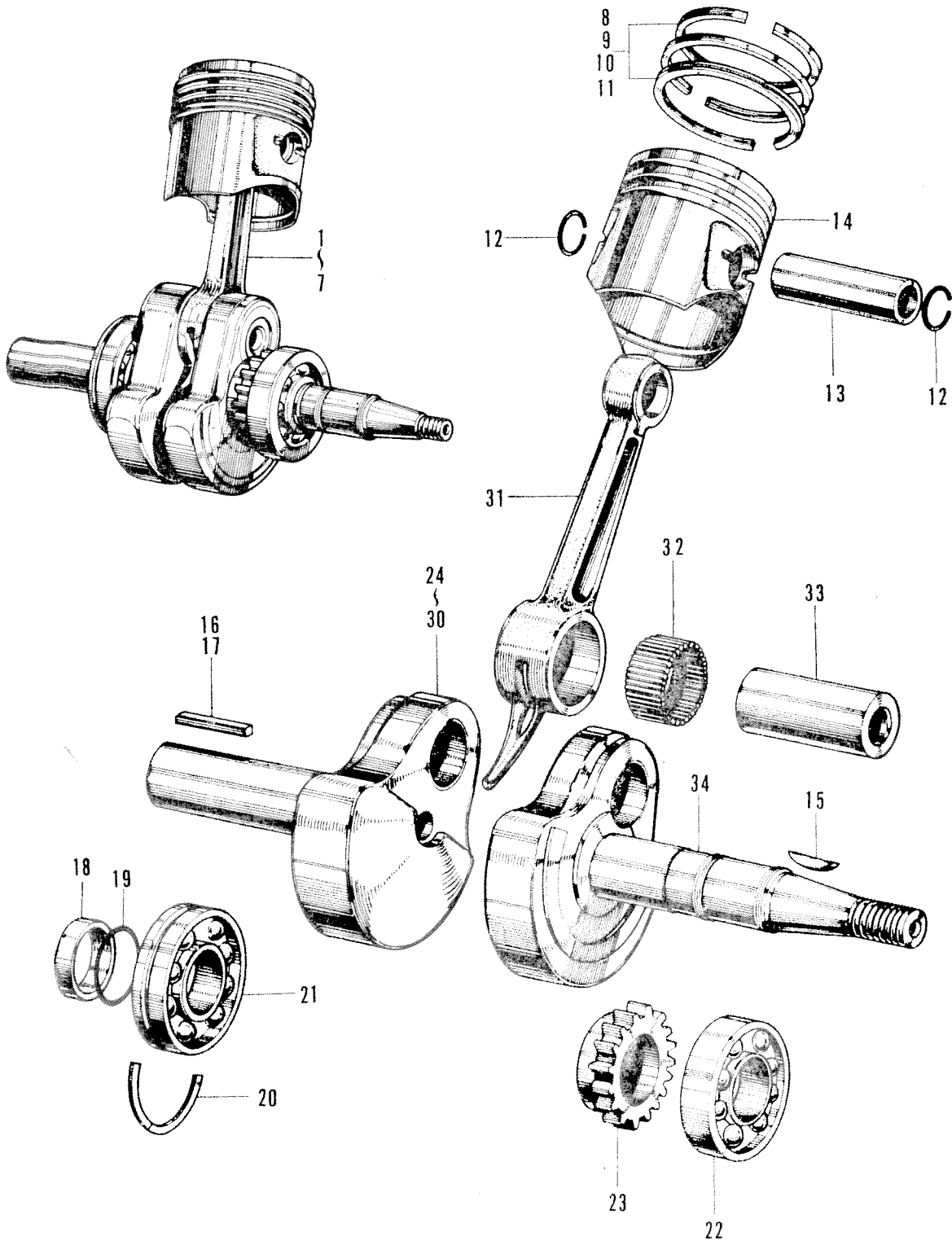
E-11 Crankshaft

Ref. No.	Part No.	Description	Reqd. No.							No. Used on		Remark
			G40 D	G40 M	G40 B	G40 E	G40 F	G40 W	From	To		
1	13000-822-020	CRANKSHAFT ASSY. (Superseded by 13000-822-030 with 90408-822-010 Marine use 90408-822-651), 90743-822-010, 94002-14000 (Marine use 94002-14020) and 31121-822-030 (Marine use 31121-822-651))	1	1	1	1	1	1	-	G40-1000012	G40-1012004	
	13000-822-030	CRANKSHAFT ASSY.	1	1	1	1	1	1	-	G40-1012005		
2	13000-822-730	CRANKSHAFT ASSY. (Superseded by 13000-822-732 with 90408-822-010, 90743-822-010, 94002-14000 and 31121-822-030)	-	-	-	-	-	-	1	G40-1000012	G40-1012004	
	13000-822-732	CRANKSHAFT ASSY.	-	-	-	-	-	-	1	G40-1012005		
3	13000-822-631	CRANKSHAFT ASSY. (SPECIAL Part for G40HD-with 1/8 reduction)	-	-	-	-	-	-	-	G40-1000012		
4	13000-822-691	CRANKSHAFT ASSY. (SPECIAL Part for G40P-type A-with thread)	-	-	-	-	-	-	-	G40-1000012		
5	13000-822-701	CRANKSHAFT ASSY. (SPECIAL Part for G40Q and G40A-type B-with inch flat key)	-	-	-	-	-	-	-	G40-1000012		
6	13000-822-711	CRANKSHAFT ASSY. (SPECIAL Part for G40U-type C-with staged thread)	-	-	-	-	-	-	-	G40-1000012		
7	13000-822-721	CRANKSHAFT ASSY. (SPECIAL Part for G40V-type D-with taper)	-	-	-	-	-	-	-	G40-1000012		
8	13011-805-000	RING SET, piston (S.T.D.)	1	1	1	1	1	1	1	G40-1000012		
9	13021-805-000	RING SET, piston (0.25)	1	1	1	1	1	1	1	G40-1000012		
10	13031-805-000	RING SET, piston (0.50)	1	1	1	1	1	1	1	G40-1000012		
11	13041-805-000	RING SET, piston (0.75)	1	1	1	1	1	1	1	G40-1000012		
12	13115-805-000	CLIP, piston pin	2	2	2	2	2	2	2	G40-1000012		
13	13111-805-000	PIN, piston	1	1	1	1	1	1	1	G40-1000012		
14	13101-822-000	PISTON (S.T.D.)	1	1	1	1	1	1	1	G40-1000012		
15	90743-822-000	KEY, woodruff, 4 mm	1	1	1	1	1	1	1	G40-1000012	G40-1012004	
	90743-822-010	KEY, woodruff, 4 mm	1	1	1	1	1	1	1	G40-1012005		
16	90742-807-640	KEY, 1/4 (Used on type G40A)	-	-	-	-	-	-	-	G40-1000012		
17	90741-822-620	KEY, 6x7x70 (Used on type G40CD)	-	-	-	-	-	-	-	G40-1000012		

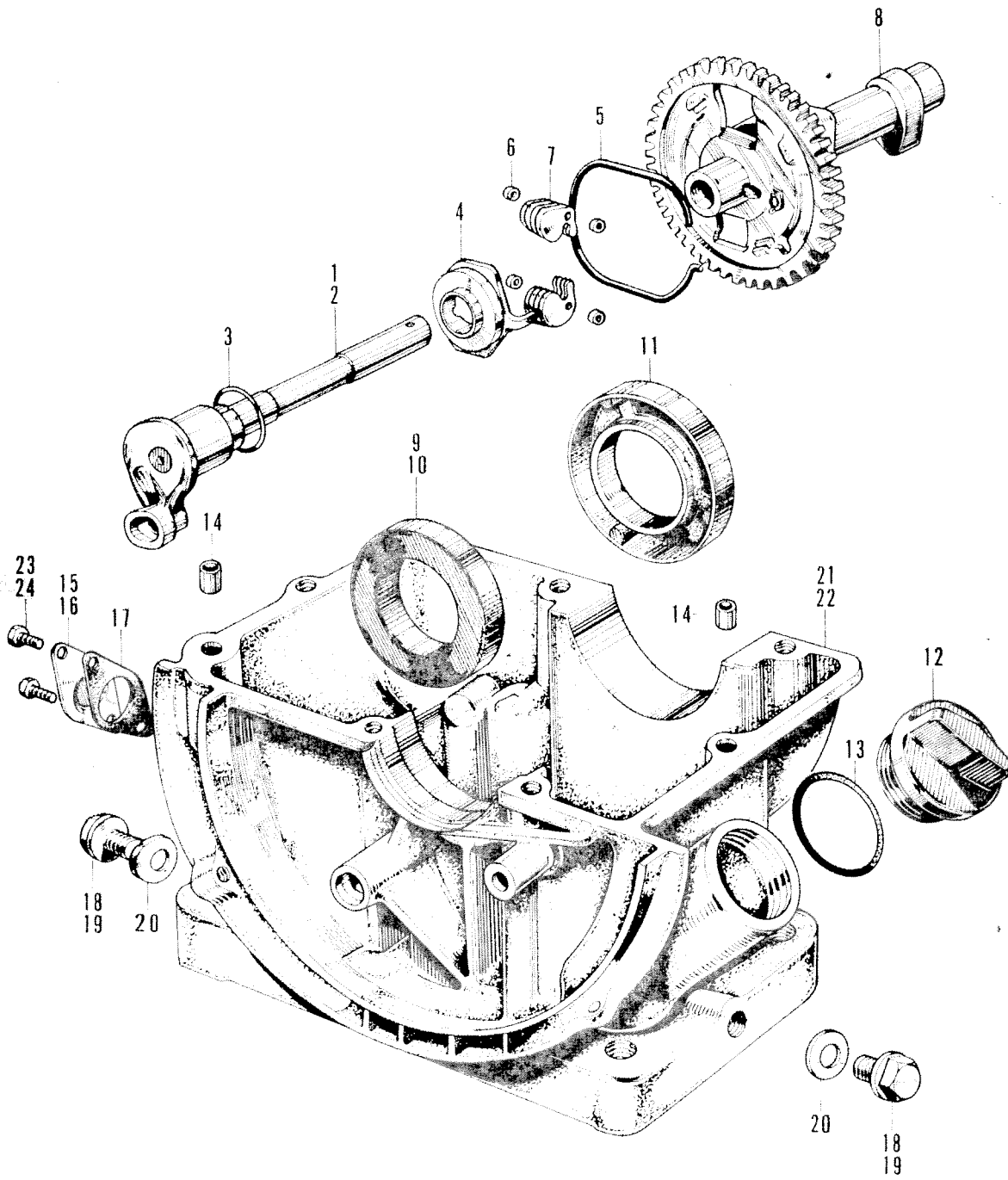
E-11 Crankshaft

Ref. No.	Part No.	Description	Reqd. No.						No. Used on		Remarks
			G40 D	G40 MD	G40 BD	G40 ED	G40 FD	G40 WD	From	To	
18	13325-805-630	COLLAR, crankshaft	-	-	-	-	-	1	G40-1000012		
19	91302-805-620	O-RING, 25 mm	-	-	-	-	-	1	G40-1000012		
20	13491-701-000	SET-RING, ball bearing	1	1	1	1	1	1	G40-1000012		
21	91001-822-000	BEARING, ball, 6304S	1	1	1	1	1	1	G40-1000012		
22	91002-805-000	BEARING, ball, 6206SHS	1	1	1	1	1	1	G40-1000012		
23	14311-805-010	GEAR, timing	1	1	1	1	1	1	G40-1000012		
24	13321-805-020	CRANKSHAFT, left	1	1	1	1	1	-	G40-1000012		
25	13321-805-630	CRANKSHAFT, left	-	-	-	-	-	1	G40-1000012		
26	13321-807-730	CRANKSHAFT, left (SPECIAL Part for G40HD-with 1/8 reduction)	-	-	-	-	-	-	G40-1000012		
27	13321-807-680	CRANKSHAFT, left (SPECIAL Part for G40P-type A-with thread)	-	-	-	-	-	-	G40-1000012		
28	13321-807-690	CRANKSHAFT, left (SPECIAL Part for G40Q and G40A-type B-with inch flat key)	-	-	-	-	-	-	G40-1000012		
29	13321-807-700	CRANKSHAFT, left (SPECIAL Part for G40U-type C-with staged thread)	-	-	-	-	-	-	G40-1000012		
30	13321-807-710	CRANKSHAFT, left (SPECIAL Part for G40V-type D-with taper)	-	-	-	-	-	-	G40-1000012		
31	13201-822-000	ROD, connecting	1	1	1	1	1	1	G40-1000012		
32	91101-805-000	ROLLER, rod, 2.48x18.8	36	36	36	36	36	36	G40-1000012		
33	13381-805-010	PIN, crank	1	1	1	1	1	1	G40-1000012		
34	13311-822-010	CRANKSHAFT, right (Superseded by 13311-822-020 with 90408-822-010 (Marine use 90408-822-651), 90743-822-010, 94002-14000 (Marine use 94002-14020) and 31121-822-030 (Marine use 31121-822-651))	1	1	1	1	1	1	G40-1000012	G40-1012004	
	13311-822-020	CRANKSHAFT, right	1	1	1	1	1	1	G40-1012005		

E-11 Crankshaft



E-12 Camshaft · Oil Pan



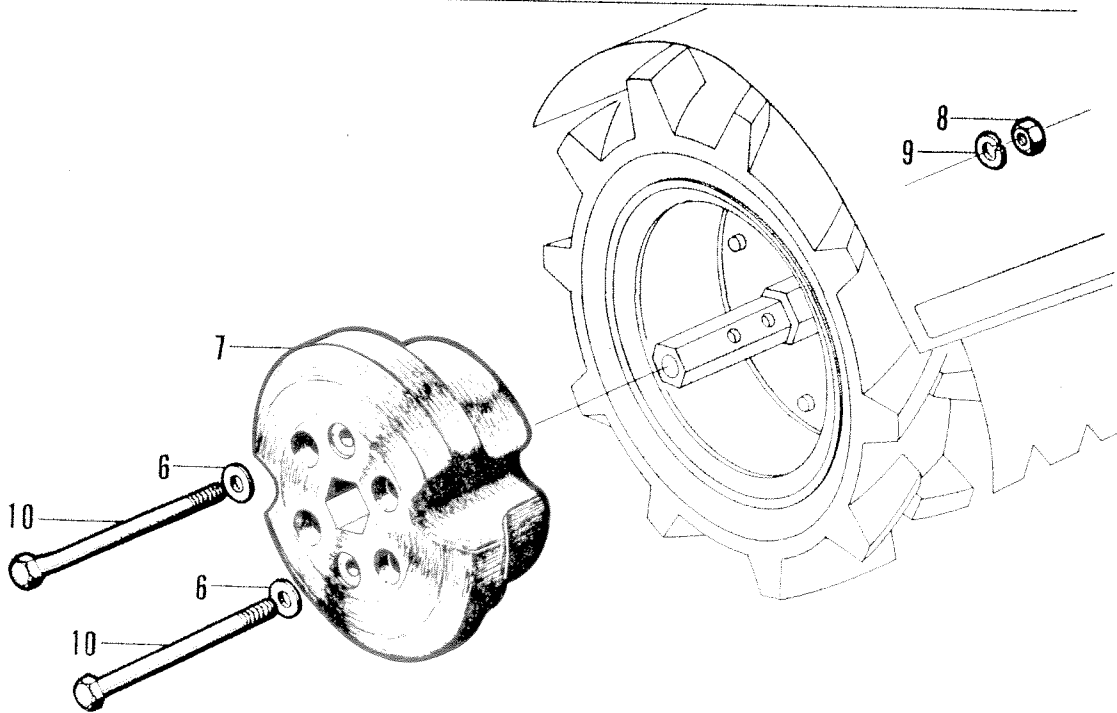
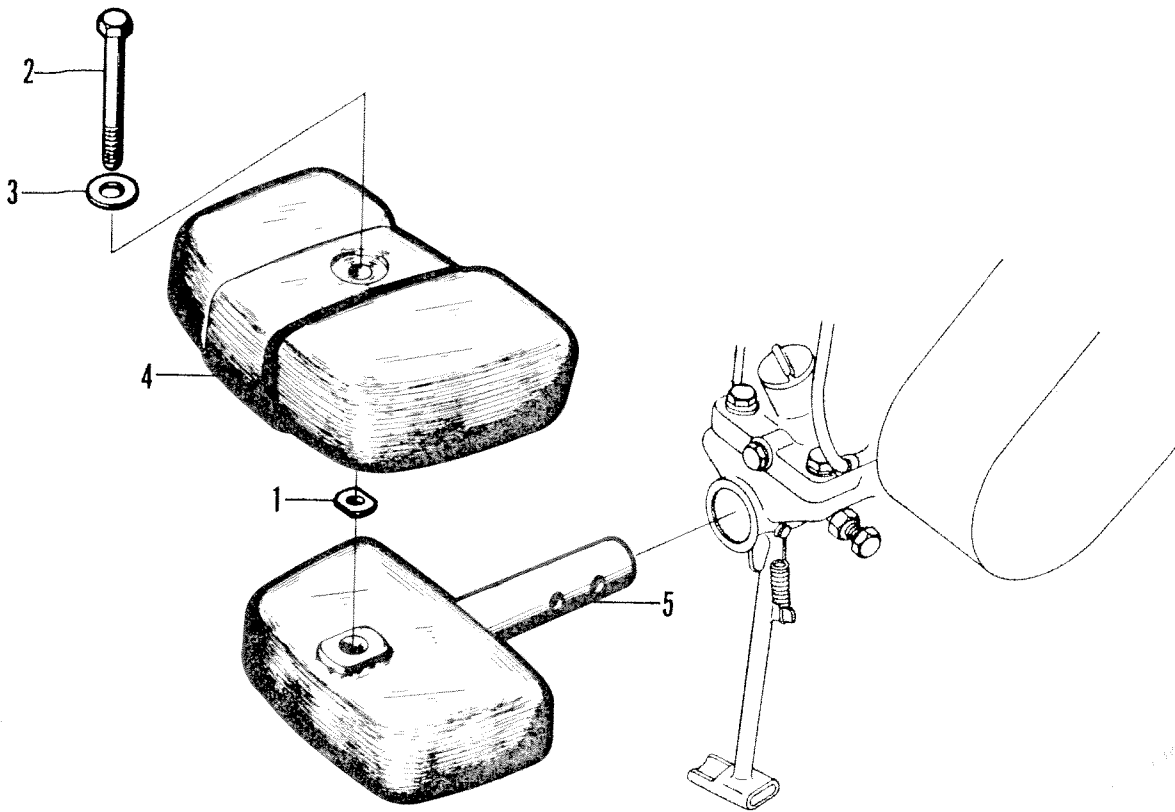
E-12 Camshaft · Oil Pan

Ref. No.	Part No.	Description	Reqd. No.							No. Used on		Remarks
			G40 D	G40 M	G40 B	G40 D	G40 E	G40 F	G40 W	From	To	
1	14210-822-010	CENTER, camshaft	1	-	-	1	1	1	1	1	640-1000012	
2	14210-822-650	CENTER, camshaft	-	1	1	-	-	-	-	-	640-1000012	
3	91354-702-000	O-RING, 23 mm	1	1	1	1	1	1	1	1	640-1000012	
4	16521-822-010	SLIDER, governor	1	1	1	1	1	1	1	1	640-1000012	
5	16515-805-000*	CENTER, governor weight	1	1	1	1	1	1	1	1	640-1000012	
6	16523-805-000	COLLAR, distance	4	4	4	4	4	4	4	4	640-1000012	
7	16511-805-000	WEIGHT, governor	8	8	8	8	8	8	8	8	640-1000012	
8	14101-822-010	CAMSHAFT	1	1	1	1	1	1	1	1	640-1000012	
9	91201-822-003	OIL-SEAL, PJ20528	1	1	1	1	1	1	1	1	640-1000012	
10	91201-822-005	OIL-SEAL, PJ20528	1	1	1	1	1	1	1	1	640-1000012	
11	91204-805-000	OIL-SEAL, PJ306510	1	1	1	1	1	1	1	1	640-1000012	
12	15611-805-010	CAP, oil	1	1	1	-	1	1	1	1	640-1000012	
13	91301-805-000	O-RING, 26×2.7	1	1	1	-	1	1	1	1	640-1000012	
14	90701-200-000	PIN, knock, 8.5×11	2	2	2	2	2	2	2	2	640-1000012	
15	11210-822-000	COVER, oil pan hole	1	-	-	1	1	1	1	1	640-1006300	
16	11210-822-650	COVER, oil pan hole	-	1	1	-	-	-	-	-	640-1006300	
17	11211-822-000	PACKING, oil pan hole	1	1	1	1	1	1	1	1	640-1006300	
18	90015-822-650	BOLT, drain cock	-	2	2	-	-	-	-	-	640-1000012	
19	92800-12000	BOLT, drain cock	2	-	-	2	2	2	2	2	640-1000012	
20	90407-259-000	PACKING, drain cock	2	2	2	2	2	2	2	2	640-1000012	
21	11200-822-010	PAN, oil	1	-	-	1	1	1	1	1	640-1000012	
22	11200-822-650	PAN, oil	-	1	1	-	-	-	-	-	640-1000012	
23	92000-06012	BOLT, hex., 6×12	2	-	-	2	2	2	2	2		
24	92000-0601202	BOLT, hex., 6×12	-	2	2	-	-	-	-	-		

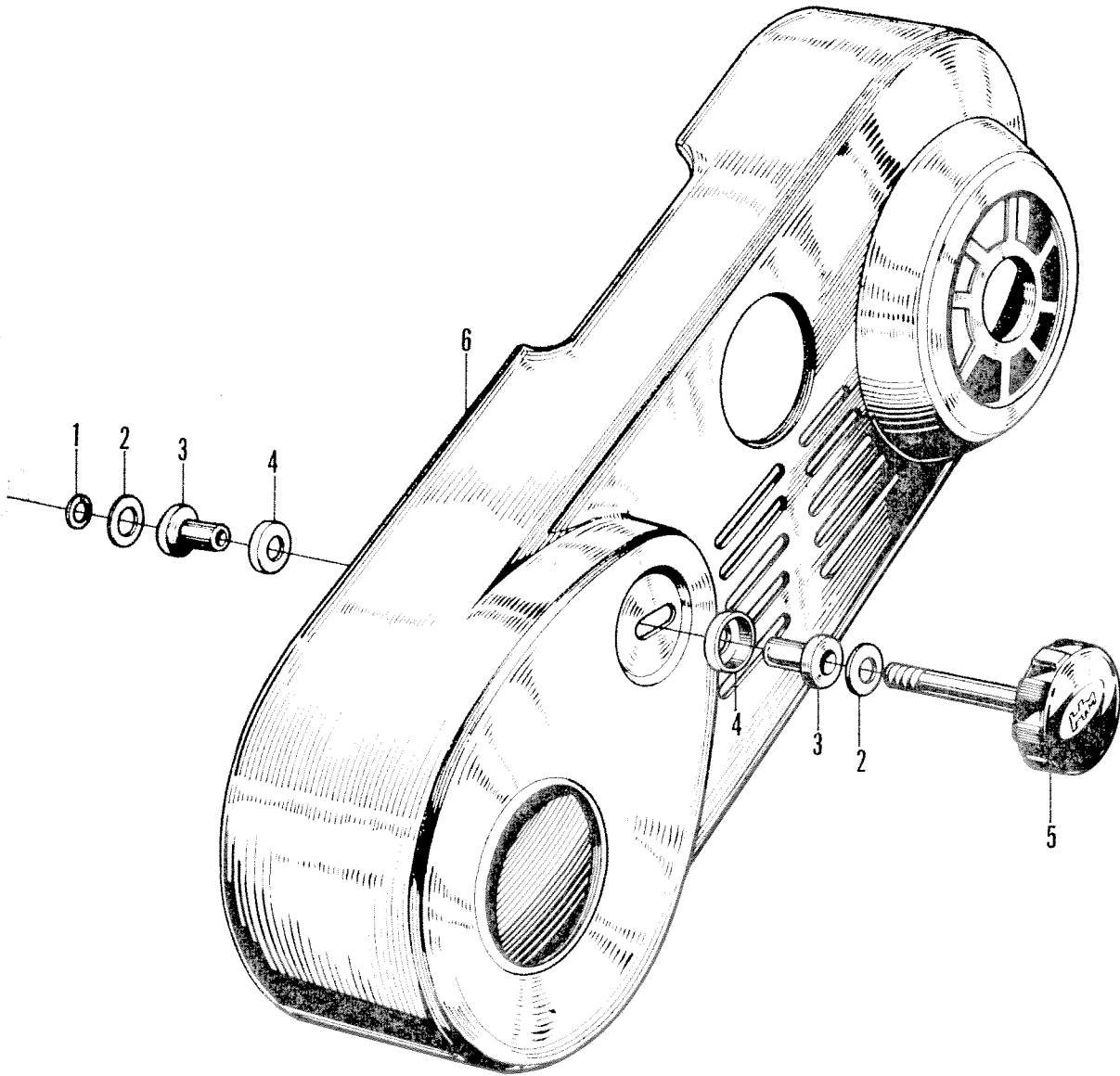
F-1 Weight

Ref. No.	Part No.	Description	Reqd. No.		No. Used on		Remarks
			F40T	F40F	From	To	
1	59492-704-000	STOPPER, 12 mm	1		F 40-122681		
2	90134-704-000	BOLT, hex., 12×75	1		F 40-122681		
3	90583-704-000	WASHER, 12ϕ	1		F 40-122681		
4	59351-704-000	WEIGHT, sub front	1		F 40-122681		
5	59301-704-000	WEIGHT, main front	1		F 40-122681		
6	90531-703-000	WASHER, special, 10 mm	4		F 40-122681		
7	59101-704-010	WEIGHT, wheel	2		F 40-122681		
8	94001-10000	NUT, hex., 10 mm	4			
9	94111-10000	WASHER, spring, 10 mm.....	4			
10	92035-10125	BOLT, hex., 10×125	4			

F-1 Weight



F-2 Belt Cover



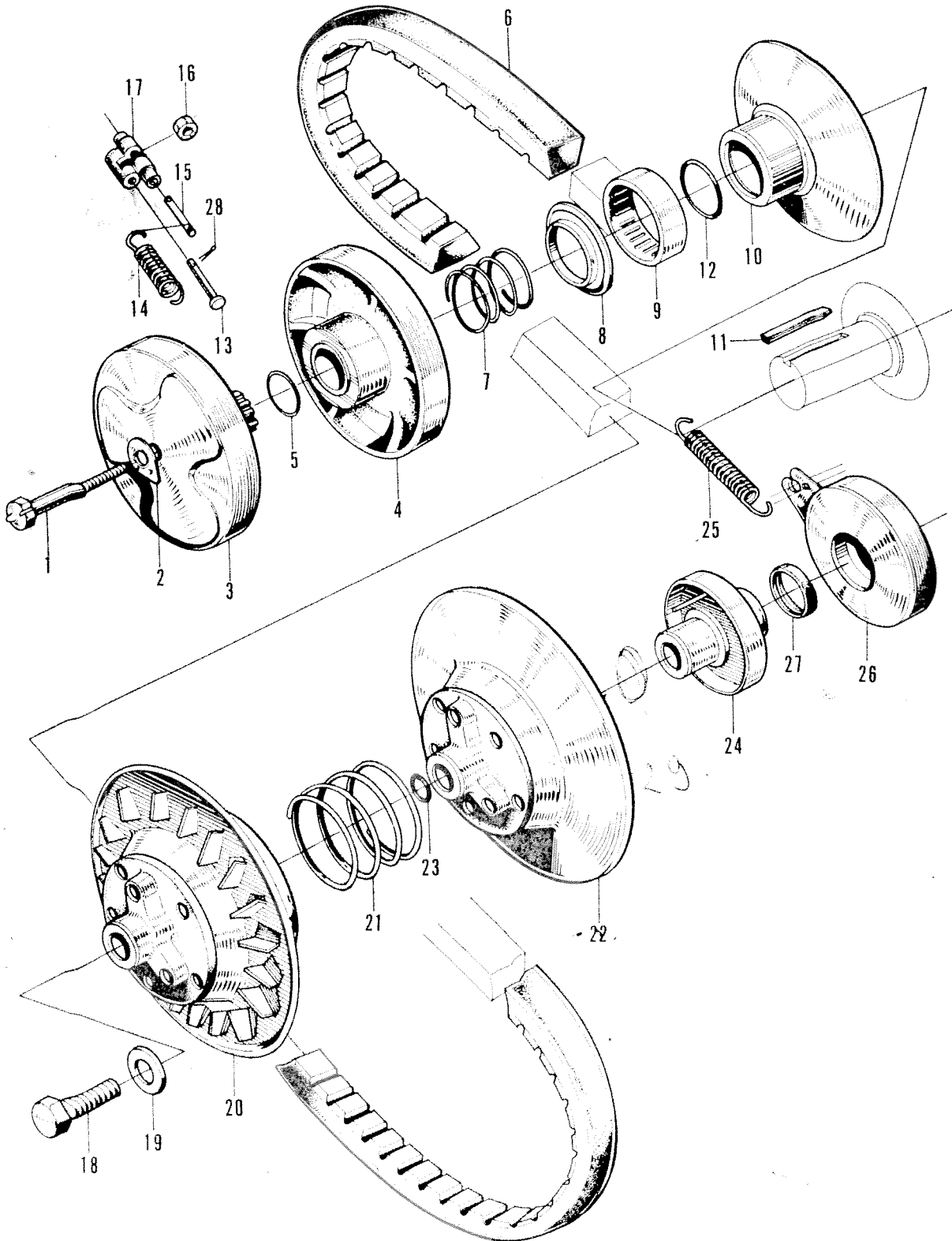
F-2 Belt Cover

Ref. No.	Part No.	Description	Reqd. No.		No. Used on		Remarks
			F40T	F40F	From	To	
1	63687-704-000	STOPPER, latch	1	1	F40-122681		
2	90581-704-000	WASHER, special, 8φ	2	2	F40-122681		
3	63692-704-020	RUBBER B, cushion	2	2	F40-122681		
4	63693-704-000	PLATE, cushion rubber side	2	2	F40-122681		
5	63681-704-020	LATCH B, belt cover	1	1	F40-122681		
6	63610-709-000N	COVER, belt	1	1	F40-122681		

F-3 Pulley

Ref. No.	Part No.	Description	Reqd. No.		No. Used on		Remarks
			F40I	F40F	From	To	
1	23193-704-000	BOLT, pulley setting	1	1	F40-122681		
2	90433-704-000	WASHER, locking	1	1	F40-122681		
3	22100-704-000	COVER, B drive pulley	1	1	F40-122681		
4	22515-704-000	PULLEY, B drive	1	1	F40-122681		
5	91303-704-000	O-RING, 35 mm	1	1	F40-122681		
6	23161-704-000	VELT, varying pitch	1	1	F40-122681		
7	22411-704-000	SPRING, clutch free	1	1	F40-122681		
8	23192-704-000	PLATE, thrust	1	1	F40-122681		
9	91021-704-010	BEARING, needle, 50x26	1	1	F40-122681		
10	22511-704-000	PULLEY, A drive	1	1	F40-122681		
11	90741-704-000	KEY, drive	1	1	F40-122681		
12	91304-704-000	O-RING, 42 mm	1	1	F40-122681		
13	22522-704-000	PIN, varying pitch weight	3	3	F40-122681		
14	22527-704-000	SPRING, weight return	3	3	F40-122681		
15	22526-704-000	HOOK, spring	3	3	F40-122681		
16	22525-704-010	ROLLER, varying pitch weight	3	3	F40-122681		
17	22521-704-000	WEIGHT, varying pitch	3	3	F40-122681		
18	90026-704-020	BOLT, driven pulley locking	1	1	F40-122681		
19	90471-704-010	WASHER A, 10 mm	1	1	F40-122681		
20	22560-704-020	PULLEY, A driven	1	1	F40-122681		
21	22595-704-000	SPRING, varying pitch	1	1	F40-122681		
22	22570-704-020	PULLEY, B driven	1	1	F40-122681		
23	91302-704-000	O-RING, 20 mm	1	1	F40-122681		
24	22585-704-020	RACE, inner	1	1	F40-122681		
25	22881-704-000	SPRING, wire return	1	1	F40-122681		
26	22580-704-010	RACE, outer	1	1	F40-122681		
27	91202-704-010	OIL-SEAL, PJ28408	1	1	F40-122681		
28	94201-10100	PIN, cotter, 1.0 mm	3	3			

F-3 Pulley



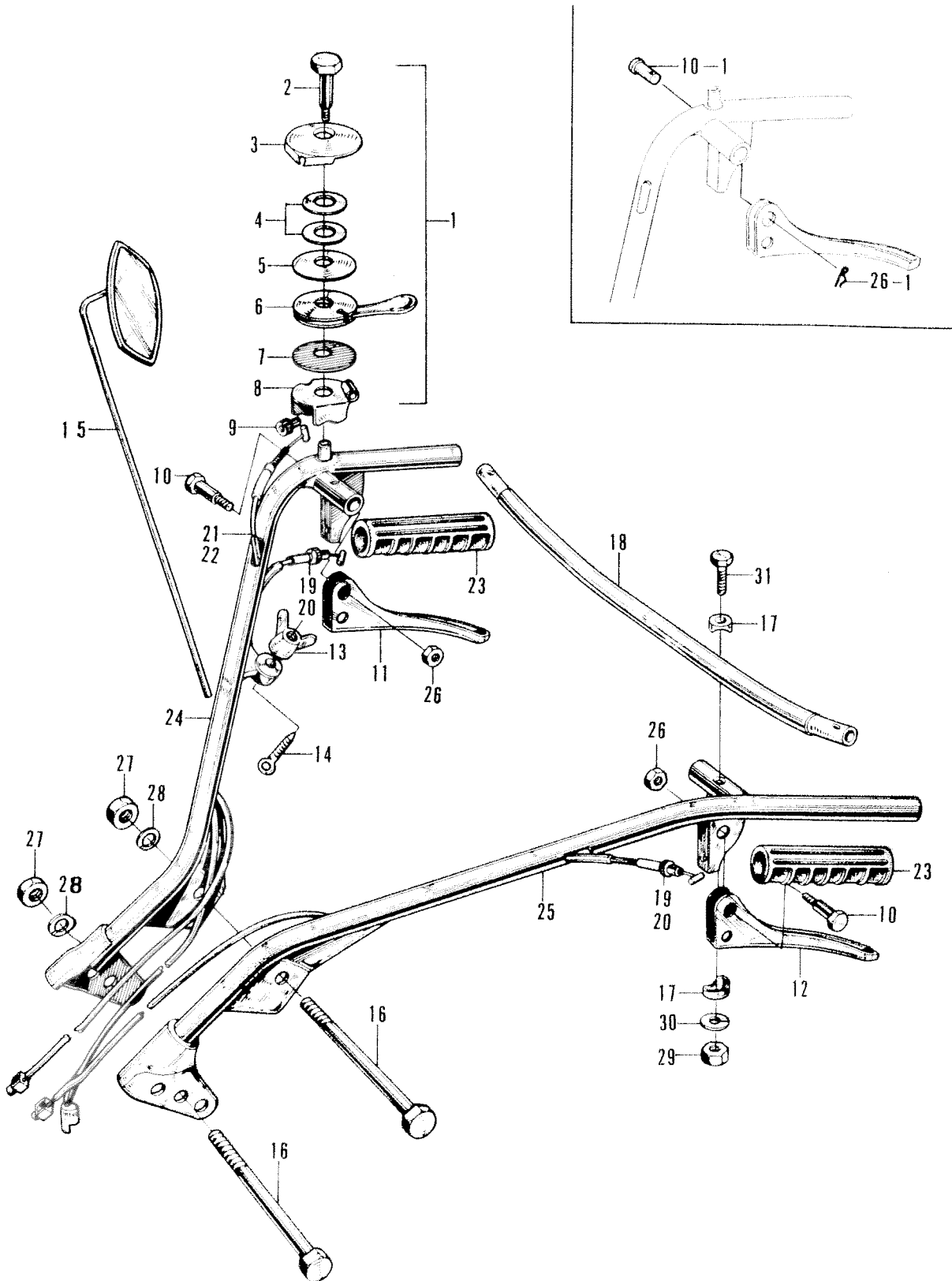
F-4 Handle

Ref. No.	Part No.	Description	Reqd. No.		No. Used on		Remarks
			F40T	F40F	From	To	
1	17850-704-020	LEVER ASSY., throttle	1	1	F40-122681	F40-128836	
	17850-709-000	LEVER ASSY., throttle	1	1	F40-128837		
2	17855-704-010	SHAFT, throttle lever	1	1	F40-122681		
3	17852-704-680	COVER, throttle lever	1	1	F40-122681	F40-128836	
	17852-709-000	COVER, throttle lever	1	1	F40-128837		
4	17856-700-000	PLATE, throttle lever adjusting	3	3	F40-122681		
5	17831-704-000	SPRING, throttle lever	1	1	F40-122681		
6	17851-704-000	LEVER, throttle	1	1	F40-122681		
7	17862-701-010	SEAT, throttle lever end	1	1	F40-122681		
8	17854-704-010	STAY, throttle lever	1	1	F40-122681	F40-128836	
	17854-709-000	STAY, throttle lever	1	1	F40-128837		
9	17860-709-000	NUT B, adjusting	1	1	F40-128837		
10	54691-704-010	BOLT, side clutch lever hinge	2	2	F40-122681	F40-128836	
10-1	54712-709-000	PIN, round head, 8×15.5	2	2	F40-128837		
11	54611-704-010	LEVER B, right side clutch	1	1	F40-122681		
12	54621-704-010	LEVER B, left side clutch	1	1	F40-122681		
13	90351-700-000	NUT, wing, 8ϕ	1		F40-122681		
14	88171-701-000	BOLT, clamp	1		F40-122681		
15	88110-700-000	MIRROR ASSY., back	1		F40-122681		
16	90132-703-000	BOLT, hex., 10×123	2	2	F40-122681		
17	17891-700-000	WASHER, throttle lever	4	4	F40-122681		
18	53211-704-020	BRIDGE, handle	1		F40-122681		
19	54710-704-030	WIRE B, side clutch	2		F40-122681	F40-128836	
	54710-709-000	WIRE B, side clutch	2		F40-128837		
20	54710-704-601	WIRE B, side clutch	2		F40-122681	F40-128836	
	54710-709-680	WIRE B, side clutch	2		F40-128837		
21	17910-704-020	WIRE, throttle	1		F40-122681	F40-128836	
	17910-709-000	WIRE, throttle	1		F40-128837		
22	17910-704-820	WIRE, throttle	1		F40-122681	F40-128836	
	17910-709-680	WIRE, throttle	1		F40-128837		

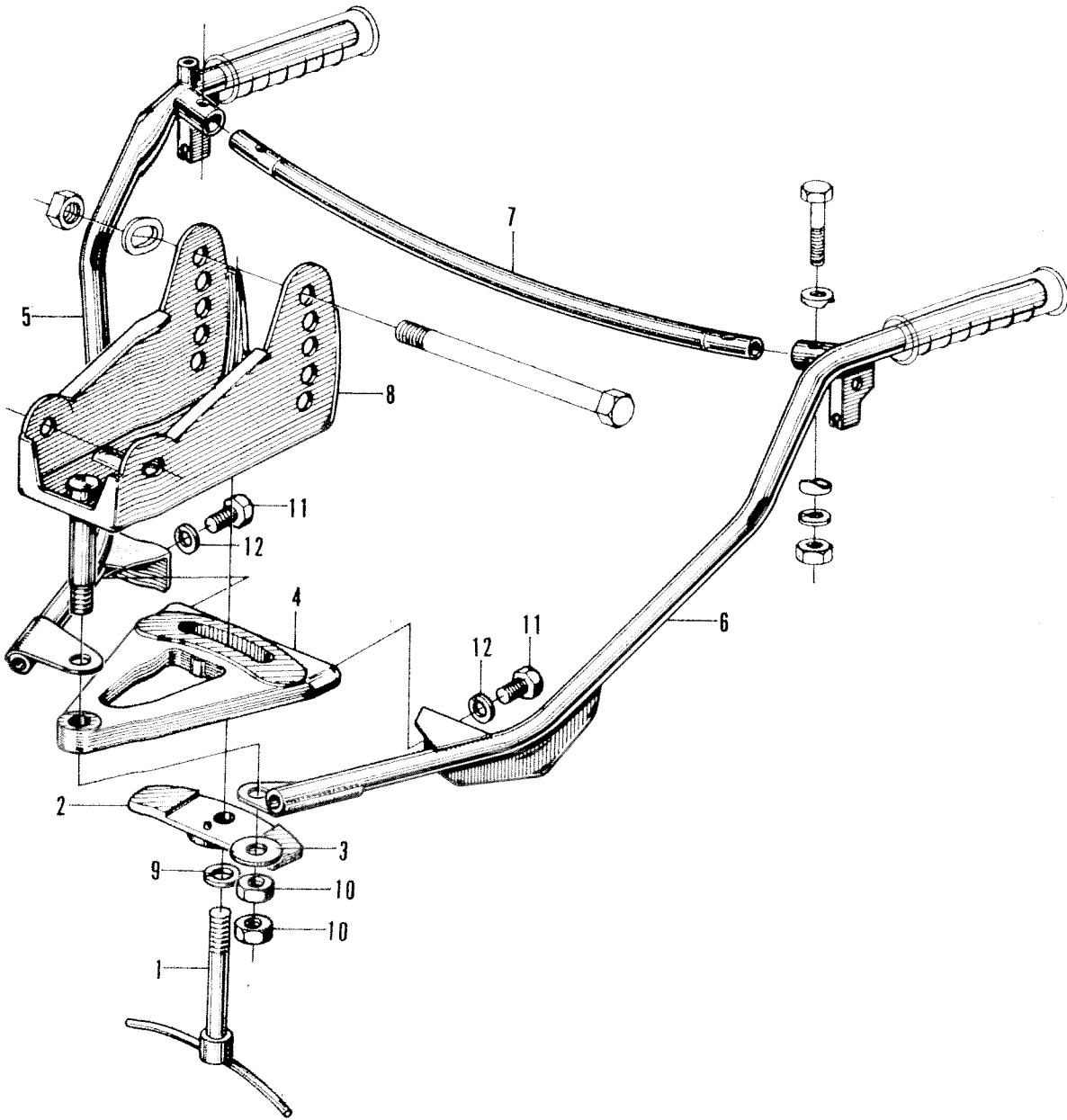
F-4 Handle

Ref. No.	Part No.	Description	Reqd. No.		No. Used on		Remarks
			F40T	F40F	From	To	
23	53321-704-000	GRIP, handle	2	2	F40-122681		
24	53110-704-040	PIPE, right handle	1		F40-122681	F40-128836	
	53110-709-000	PIPE, right handle	1		F40-128837		
25	53150-704-040	PIPE, left handle	1		F40-122681	F40-128836	
	53150-709-000	PIPE, left handle	1		F40-128837		
26	94002-06000	NUT, thin, 6 mm	2	2		F40-128836	
26-1	94251-08000	PIN, locking, 8 mm	2	2	F40-128837		
27	94001-10000	NUT, hex., 10 mm	2	2			
28	94111-10000	WASHER, spring, 10 mm	2	2			
29	94001-08000	NUT, hex., 8 mm	2	2			
30	94111-08000	WASHER, spring, 8 mm	2	2			
31	92000-08038	BOLT, hex., 8x38	2	2			

F-4 Handle



F-5 Swing Handle



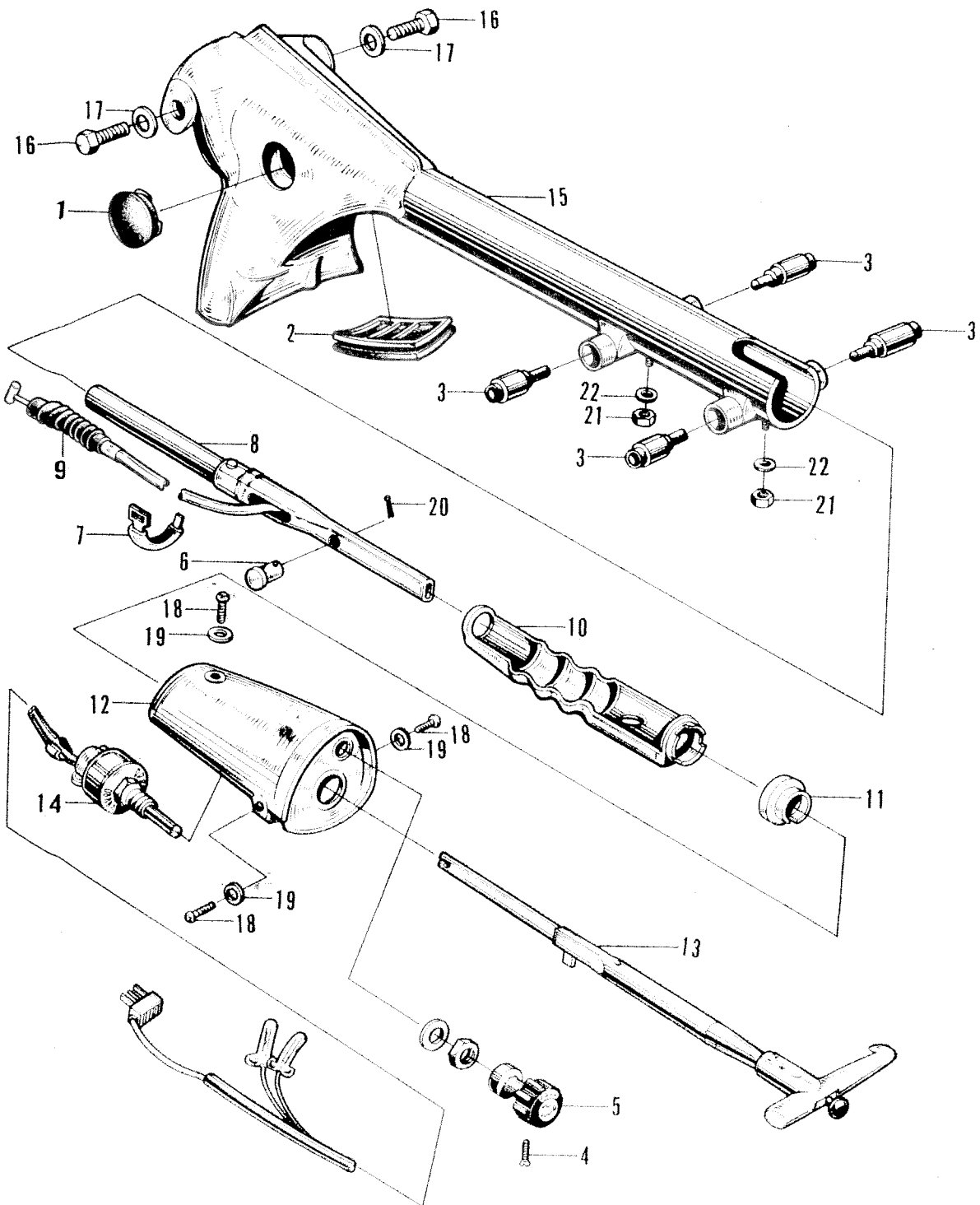
F-5 Swing Handle

Ref. No.	Part No.	Description	Reqd. No.		No. Used on		Remark
			F40T	F40F	From	To	
1	54771-704-600	LOCK, handle	1		F 40-122681		
2	54585-704-600	PIECE, Pressure	1		F 40-122681		
3	90586-704-810	WASHER, 11×28	1		F 40-122681		
4	54584-704-602	BODY, swing	1		F 40-122681		
5	53110-704-823	PIPE, right handle	1		F 40-122681	F 40-128836	
	53110-709-680	PIPE, right handle					
6	53150-704-823	PIPE, left handle	1		F 40-122681	F 40-128836	
	53150-709-680	PIPE, left handle					
7	53211-704-680	BRIDGE, handle	1		F 40-122681		
8	53510-704-681	PLATE, adjuster	1		F 40-122681		
9	94111-10000	WASHER, spring, 10 mm	1		F 40-122681		
10	94002-10000	NUT, thin, 10 mm	2			
11	92000-08018	BOLT, hex., 8×18	2			
12	94111-08000	WASHER, spring, 8 mm	2			

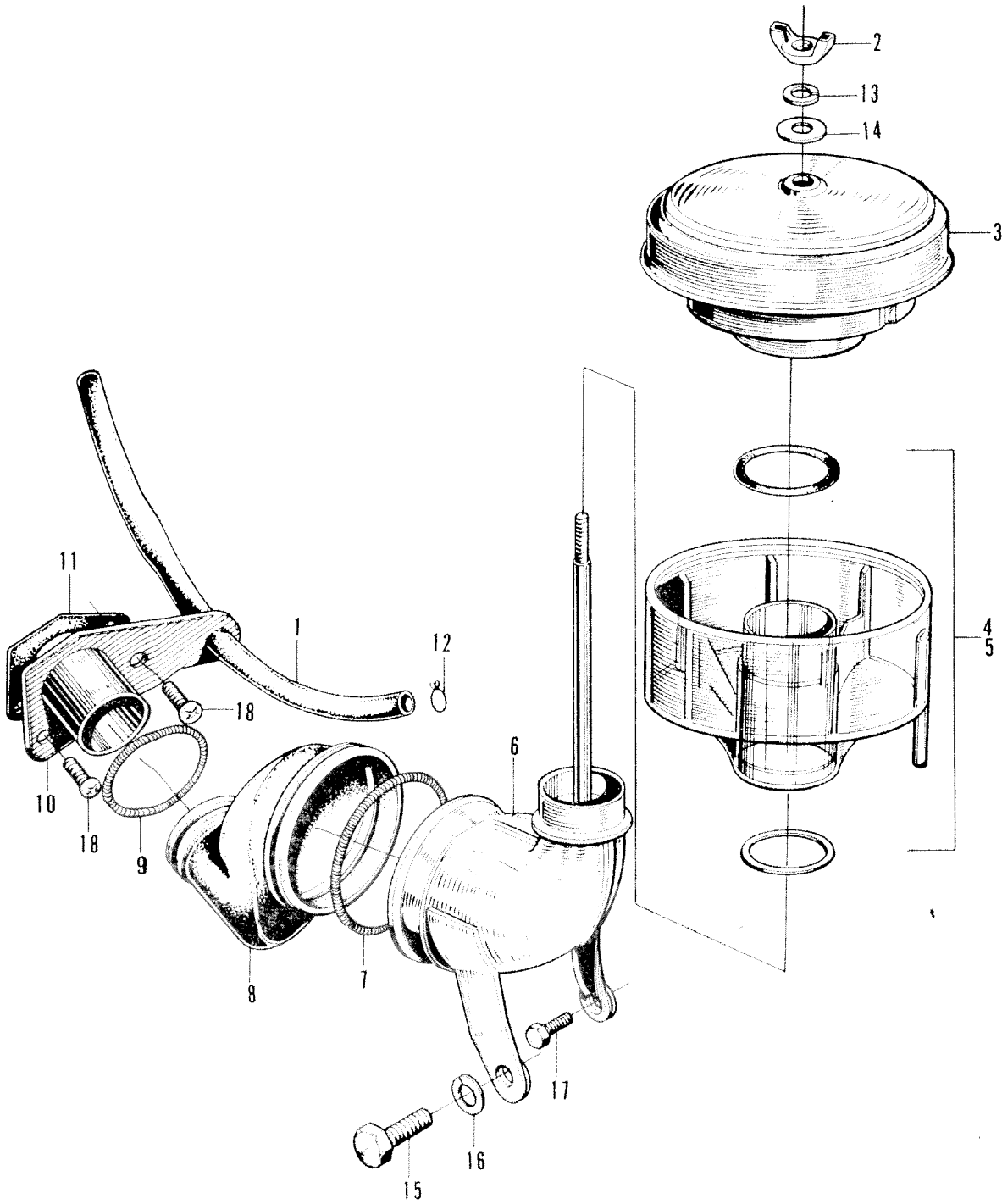
F-6 Handle Column

Ref. No.	Part No.	Description	Reqd. No.		No. Used on		Remarks
			F40T	F40F	From	To	
1	50221-704-000	COVER, joint	1	1	F40-122681		
2	50211-704-000	COVER, column	1	1	F40-122681		
3	53571-704-000	DAMPER, hinge boss	4	4	F40-122681		
4	35112-701-000	SCREW, knob setting	1		F40-122681		
5	35111-704-000	KNOB, combination switch	1		F40-122681		
6	54581-704-000	END, wire.....	1	1	F40-122681		
7	54587-704-000	BAND, change wire	1	1	F40-122681		
8	54150-704-020	ROD B, change	1	1	F40-122681		
9	54510-704-000	WIRE, change	1	1	F40-122681		
10	54471-704-010	STOPPER, change rod	1	1	F40-122681		
11	54472-704-000	BEARING, change rod.....	1	1	F40-122681		
12	66111-704-010	BOARD, column dish	1	1	F40-122681		
13	54140-704-000	ROD A, change	1		F40-122681		
	54140-704-820	ROD A, change		1	F40-122681		
14	35100-704-000	SWITCH ASSY., combination	1		F40-122681		
15	50110-704-010	COLUMN, handle	1		F40-122681		
	50110-704-810	COLUMN, handle		1	F40-122681		
16	92000-10022	BOLT, hex., 10x22	2	2		
17	94111-10000	WASHER, spring, 10mm.....	2	2		
18	93500-O5010	SCREW, cross, 5x10	3	3		
19	94101-O5000	WASHER, flat, 5 mm	3	3		
20	94201-16200	PIN, cotter, 1.6 mm	1	1		
21	94001-O6000	NUT, hex., 6 mm	2	2		
22	94101-O6000	WASHER, flat, 6 mm.....	2	2		

F-6 Handle Column



F-7 Oil Bath Air Cleaner



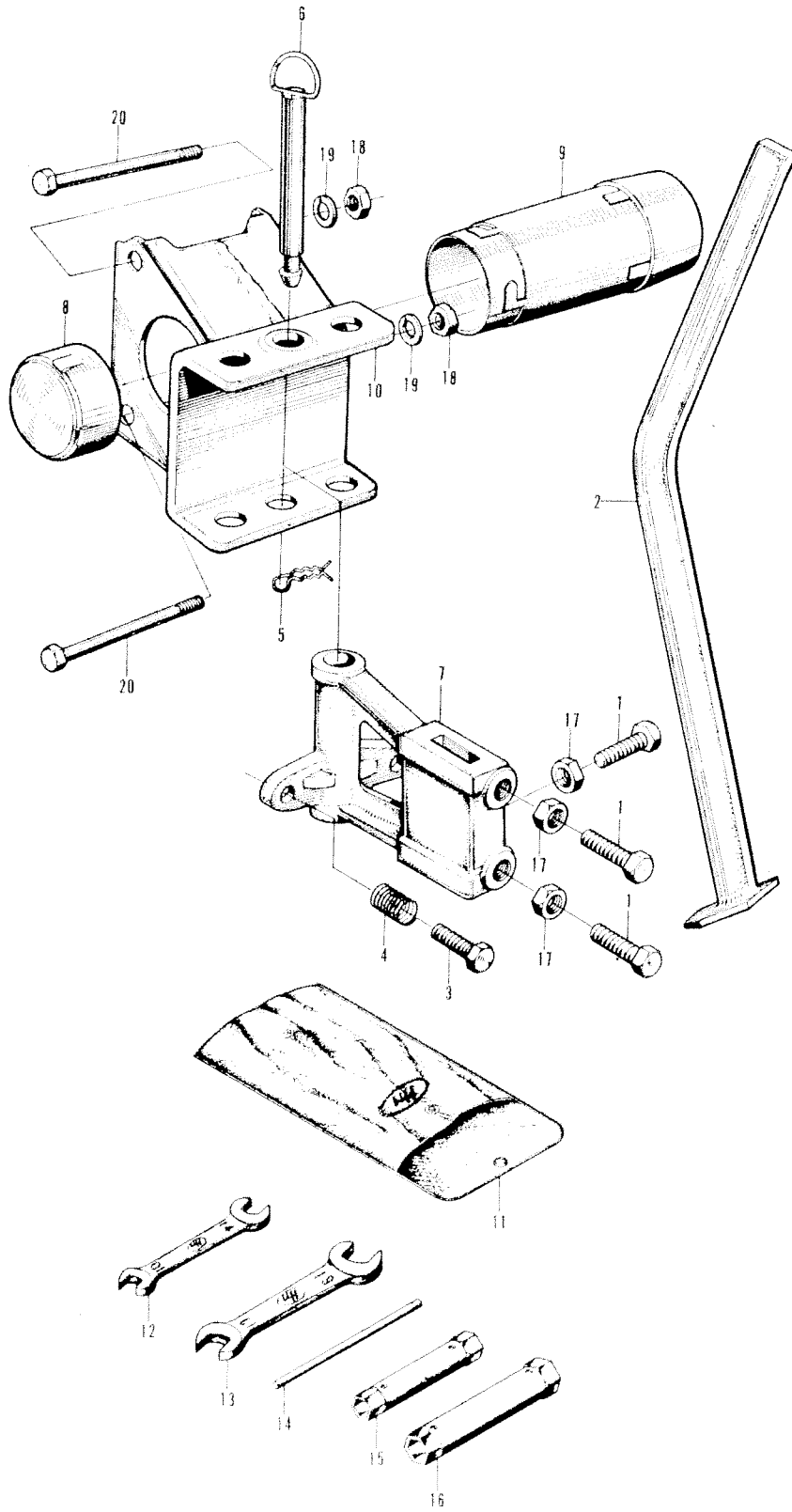
F-7 Oil Bath Air Cleaner

Ref. No.	Part No.	Description	Reqd. No.		No. Used on		Remarks
			F40T	F40F	From	To	
1	15761-704-000	PIPE, breather	1	1	F40-122681		
2	90352-704-000	NUT, wing, 6 ϕ	1	1	F40-122681		
3	17401-704-000	CASE, air cleaner	1	1	F40-122681		
4	17441-704-611	PAN, oil	1		F40-122681		
5	17441-704-620	PAN, oil		1	F40-122681		
6	17470-709-000	MANIFOLD, air cleaner	1	1	F40-122681		
7	16266-709-000	BAND B, connecting tube	1	1	F40-122681		
8	16261-709-000	TUBE, air cleaner connecting	1	1	F40-122681		
9	16265-704-000	BAND A, connecting tube	1	1	F40-122681		
10	16167-709-000	JOINT, air cleaner manifold	1	1	F40-122681		
11	16269-822-000	PACKING, air cleaner	1	1	F40-122681		
12	95002-80000	CLIP, fuel tube, 8 ϕ	1	1			
13	94111-06000	WASHER, spring, 6 mm	1	1			
14	94101-06000	WASHER, flat, 6 mm	1	1			
15	92000-10022	BOLT, hex., 10 \times 22	1	1			
16	94111-10000	WASHER, spring, 10 mm	1	1			
17	92000-06020	BOLT, hex., 6 \times 20	1	1			
18	93500-06010	SCREW, cross, 6 \times 10	2	2			

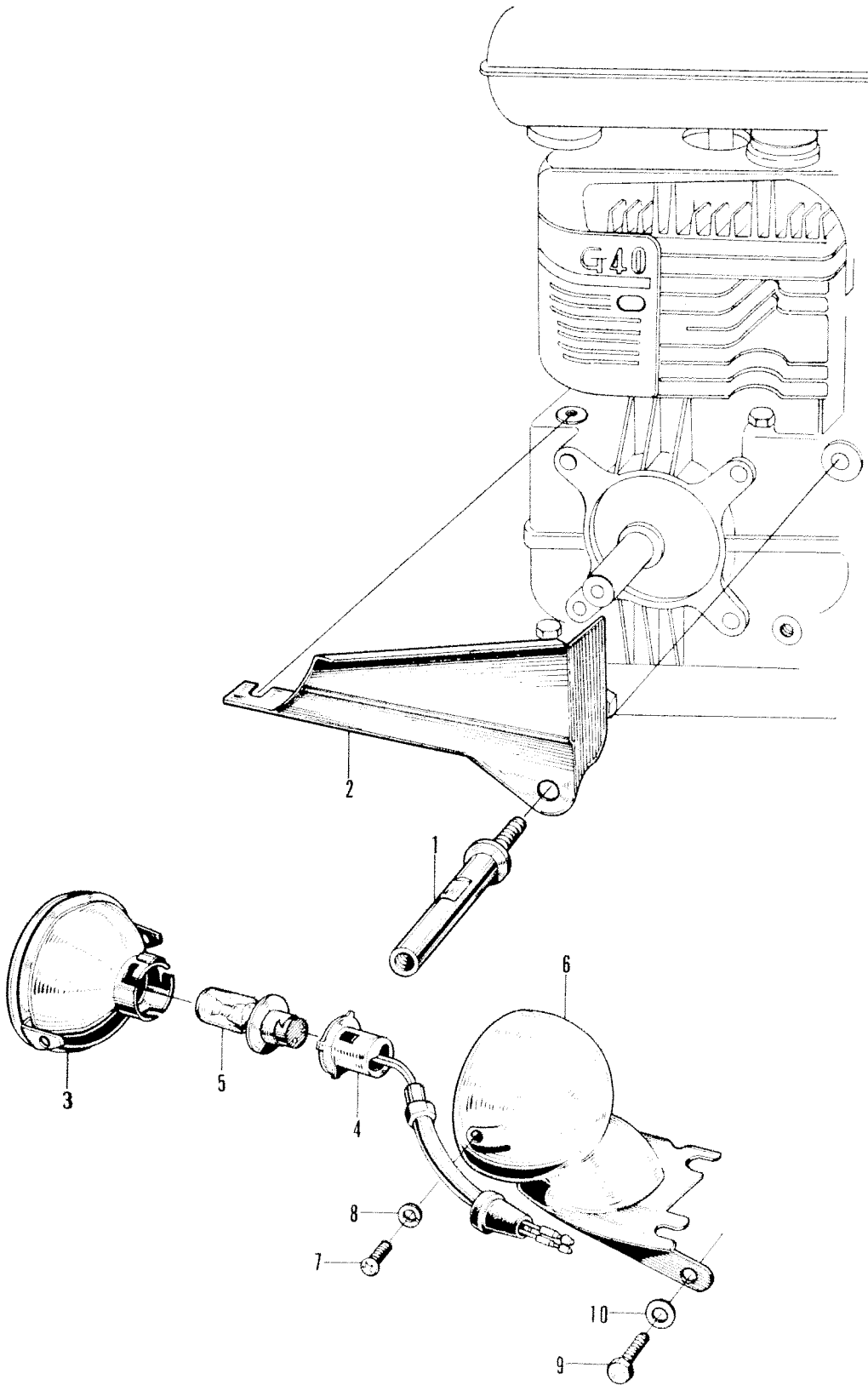
F-8 Hitch Box - Tool

Ref. No.	Part No.	Description	Reqd. No.		No. Used on		Remarks
			F40T	F40F	From	To	
1	90148-700-000	BOLT, hex., 12×38	3	3	F40-122681		
2	80311-703-810	BAR, drag	1	1	F40-122681		
3	90141-703-600	BOLT, hex., 12×50	2	2	F40-122681		
4	50691-703-000	SPRING, hitch joint adjust	2	2	F40-122681		
5	50671-703-810	CLIP, 16φ	1	1	F40-122681		
6	51620-703-010	PIN, weight holder	1	1	F40-122681		
7	80151-703-810	HITCH, B-type	1	1	F40-122681		
8	83121-704-000	CAP, tool	1	1	F40-122681		
9	83111-704-000	BOX, tool	1	1	F40-122681		
10	50610-704-000N	BOX, hitch	1	1	F40-122681		
11	83151-805-000	BAG, tool	1	1	F40-122681		
12	99001-10140	SPANNER, open end, 10×14	1	1		
13	99001-17190	SPANNER, open end, 17×19	1	1		
14	89219-805-000	HANDLE, box wrench	1	1	F40-122681		
15	89214-700-000	SOCKET, 10×14	1	1	F40-122681		
16	89216-704-000	WRENCH, sparking plug	1	1	F40-122681		
17	94002-12000	NUT, thin, 12 mm	3	3		
18	94001-10000	NUT, hex., 10 mm	2	2		
19	94111-10000	WASHER, spring, 10 mm	2	2		
20	92000-10100	BOLT, hex., 10×100	2	2		

F-8 Hitch Box · Tool



F-9 Head Light



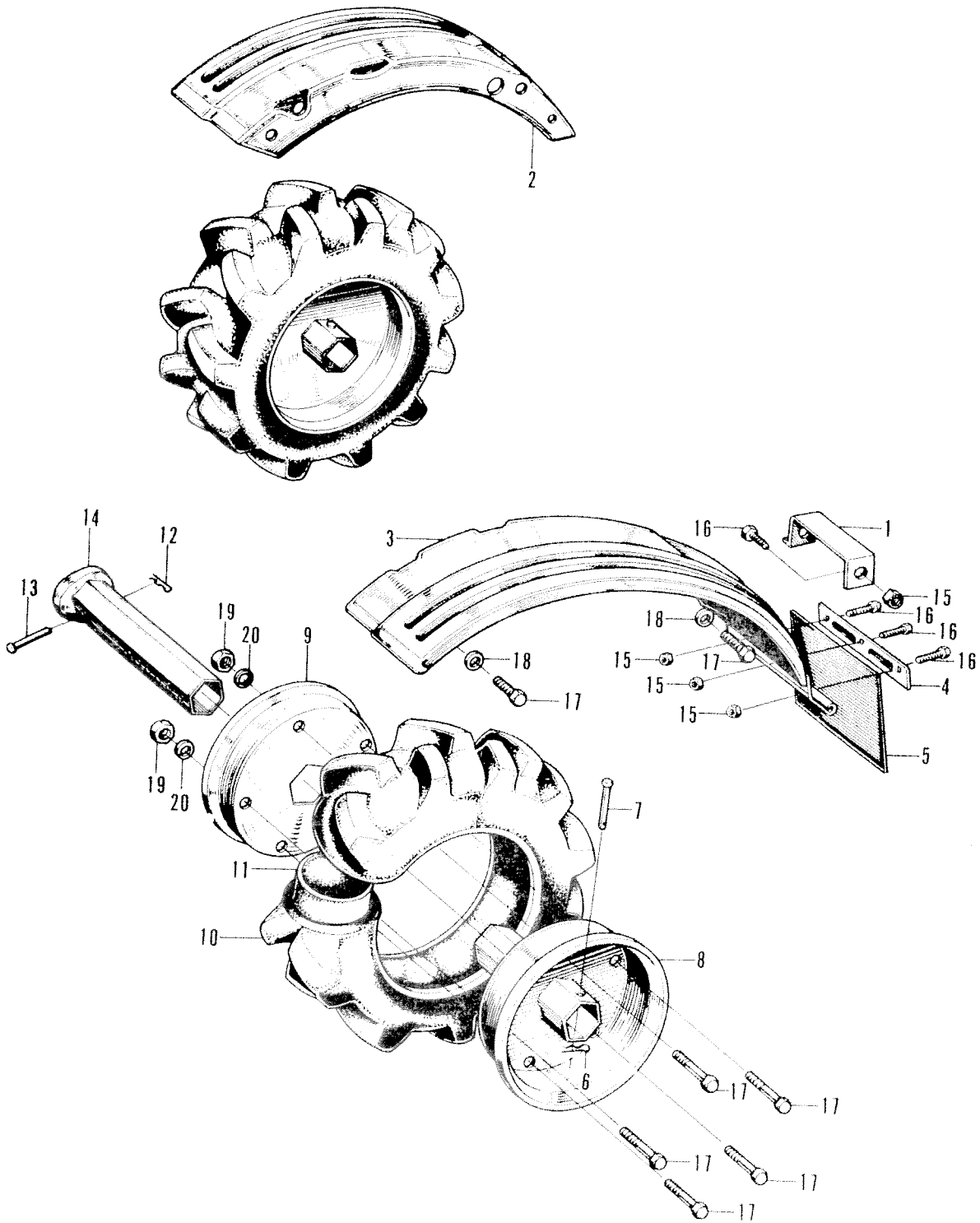
F-9 Head Light

Ref. No.	Part No.	Description	Reqd. No.		No. Used on		Remarks
			F 40T	F 40F	From	To	
1	90091-704-020	SCREW, cover support.....	1	1	F 40-122681		
2	11901-704-000	PLATE, bottom guide	1	1	F 40-122681		
3	33110-704-000	LIGHT-UNIT, head	1		F 40-122681		
4	33120-704-305	SOCKET ASSY., head light	1		F 40-122681		
5	34901-030-000	BULB, head light	1		F 40-122681		
6	33130-704-000	BODY, head light	1		F 40-122681		
7	93500-05008	SCREW, cross, 5x8	2				
8	94111-05000	WASHER, spring, 5 mm	2				
9	92000-08016	BOLT, hex., 8x16	1	1			
10	94101-08000	WASHER, flat, 8 mm.....	1	1			

F-10 Wheel

Ref. No.	Part No.	Description	Reqd. No.		No. Used on		Remarks
			F40I	F40F	From	To	
1	61151-704-000	STAY, fender	1	1	F40-122681	
2	61110-704-000N	FENDER, right	1	1	F40-122681	
3	61210-704-000N	FENDER, left	1	1	F40-122681	
4	61771-704-000	BAR, mudguard	2	2	F40-122681	
5	61711-704-000	MUDGUARD	2	2	F40-122681	
6	90652-700-000	PIN, snap, 9 ϕ	2	2	F40-122681	
7	90753-703-000	PIN, round head, 9 \times 54	2	2	F40-122681	
8	42701-703-010N	WHEEL A, 300D \times 8	2	2	F40-122681	
9	42702-703-010N	WHEEL B, 300D \times 8	2	2	F40-122681	
10	42751-703-000	TIRE, 400 \times 8	2	2	F40-122681	
11	42752-703-010	TUBE, 400 \times 8	2	2	F40-122681	
12	90651-703-000	PIN, snap, 7 ϕ	2	2	F40-122681	
13	90754-703-000	PIN, round head, 7 \times 55	2	2	F40-122681	
14	42400-703-000	SHAFT, pipe	2	2	F40-122681	
15	94001-O6000	NUT, hex., 6 mm	8	8		
16	92000-O6012	BOLT, hex., 6 \times 12	8	8		
17	92000-O8016	BOLT, hex., 8 \times 16	14	14		
18	94101-O8000	WASHER, flat, 8 mm	4	4		
19	94001-O8000	NUT, hex., 8 mm	10	10		
20	94111-O8000	WASHER, spring, 8 mm	10	10		

F-10 Wheel



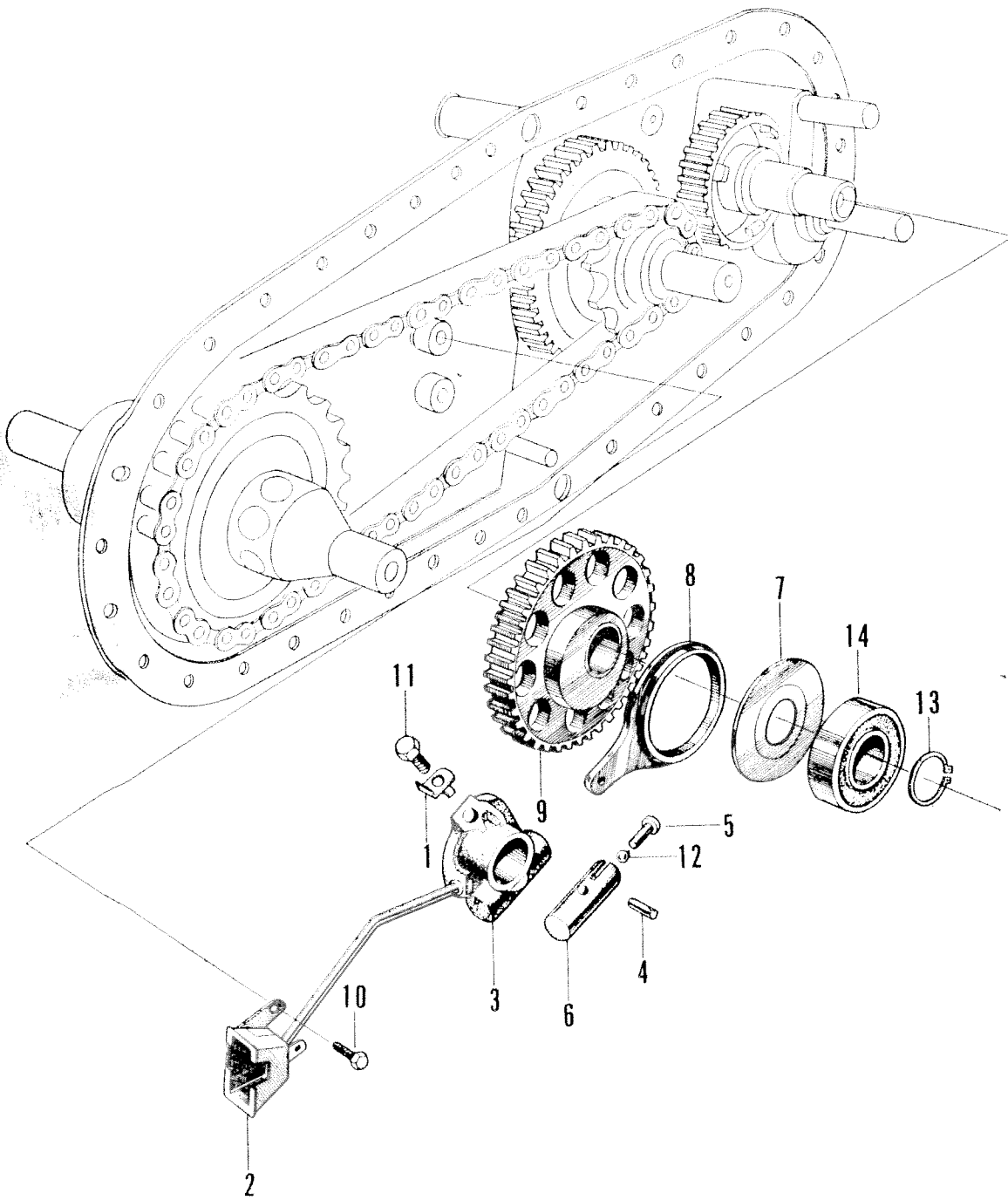
F-11 Engineframe

Ref. No.	Part No.	Description	Reqd. No.		No. Used on		Remark
			F40T	F40F	From	To	
1	90131-704-000	BOLT, hex., 10×38	4	4	F40-122681		
2	32905-704-000	BINDER, cord	3	3	F40-122681		
3	38100-704-000	HORN ASSY.	1	1	F40-122681		
4	51521-704-000	SPRING, stand	1	1	F40-122681		
5	51510-704-010	STAND	1	1	F40-122681		
6	51110-704-010N	ENGINEFRAME	1	1	F40-122681		
7	90133-704-010	BOLT, hex., 12×35	1	1	F40-122681		
8	21801-704-010	PLATE, combination	1	1	F40-122681		
9	94001-10000	NUT, hex., 10 mm	6	6		
10	94111-10000	WASHER, spring, 10 mm	6	6		
11	94101-10000	WASHER, flat, 10 mm	6	6		
12	94201-30200	PIN, cotter, 3.0 mm	1	1		
13	94101-12000	WASHER, flat, 12 mm	1	1		
14	92000-10100	BOLT, hex., 10×100	1	1		
15	92000-10050	BOLT, hex., 10×50	1	1		
16	94001-12000	NUT, hex., 12 mm	1	1		
17	94001-06000	NUT, hex., 6 mm	1	1		
18	94111-06000	WASHER, spring, 6 mm	1	1		
19	92000-06018	BOLT, hex., 6×18	1	1		

F-12 Mission

Ref. No.	Part No.	Description	Reqd. No.		No. Used on		Remarks
			F40T	F40F	From	To	
1	90471-703-000	WASHER B, 8 mm	1	1	F40-122681		
2	23716-703-000	COLLAR, shaft	1	1	F40-122681		
3	23715-704-303	COLLAR, P.T.O. shaft	1	1	F40-122681		
4	91305-703-000	O-RING, 20 mm	1	1	F40-122681		
5	24221-704-000	FORK B, shift	1	1	F40-122681		
6	24271-700-000	SPRING, ball setting	2	2	F40-122681		
7	24111-704-000	SHAFT, shift fork	1	1	F40-122681		
8	23580-704-000	GEAR, reverse	1	1	F40-122681		
9	90453-704-000	WASHER, thrust, 22 mm	1	1	F40-122681		
10	23571-704-000	GEAR, shifter	1	1	F40-122681		
11	24211-704-000	FORK A, shift	1	1	F40-122681		
12	23220-704-020	SHAFT, drive	1	1	F40-122681		
13	23211-704-010	SHAFT, mission	1	1	F40-122681		
14	23281-704-000	SHAFT, reverse	1	1	F40-122681		
15	92000-08025	BOLT, hex., 8x25	1	1		
16	96100-62040	BEARING, ball, 6204	1	1		
17	96211-08000	BALL, steel, #8	2	2		
18	94510-20120	CIR-CLIP, 20 mm	2	2		
19	96140-63040	BEARING, ball, 6304R	1	1		
20	96140-62040	BEARING, ball, 6204R	1	1		

F-13 Oil Pump



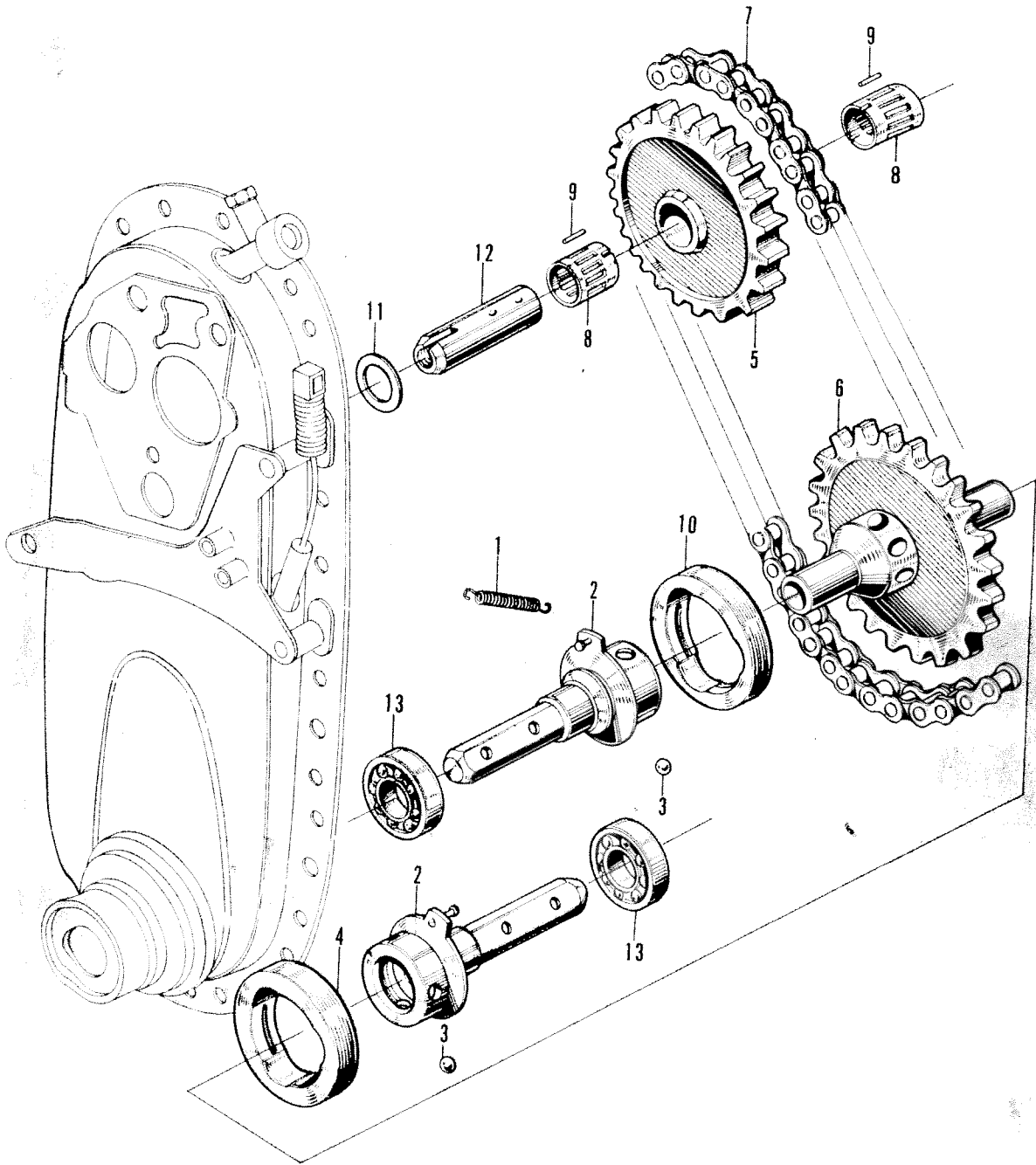
F-13 Oil Pump

Ref. No.	Part No.	Description	Reqd. No.		No. Used on		Remarks
			F40T	F40F	From	To	
1	90432-704-000	WASHER, locking, 6 mm	1	1	F 40-122681		
2	15420-704-000	FILTER, oil	1	1	F 40-122681		
3	15211-704-000	BODY, oil pump	1	1	F 40-122681		
4	25235-704-000	PIN, 4.5 mm	1	1	F 40-122681		
5	25275-704-000	STOPPER, ball	1	1	F 40-122681		
6	25231-704-000	PLUNGER, oil pump	1	1	F 40-122681		
7	90452-704-000	WASHER B, thrust, 20 mm	1	1	F 40-122681		
8	25280-704-000	ARM, pump connecting	1	1	F 40-122681		
9	23411-704-000	GEAR, low	1	1	F 40-122681		
10	92000-06006	BOLT, hex., 6x6	2	2			
11	92000-06012	BOLT, hex., 6x12	1	1			
12	96211-07000	BALL, steel, #7	1	1			
13	94510-20120	CIR-CLIP, 20 mm	1	1			
14	96140-62040	BEARING, ball, 6204R	1	1			

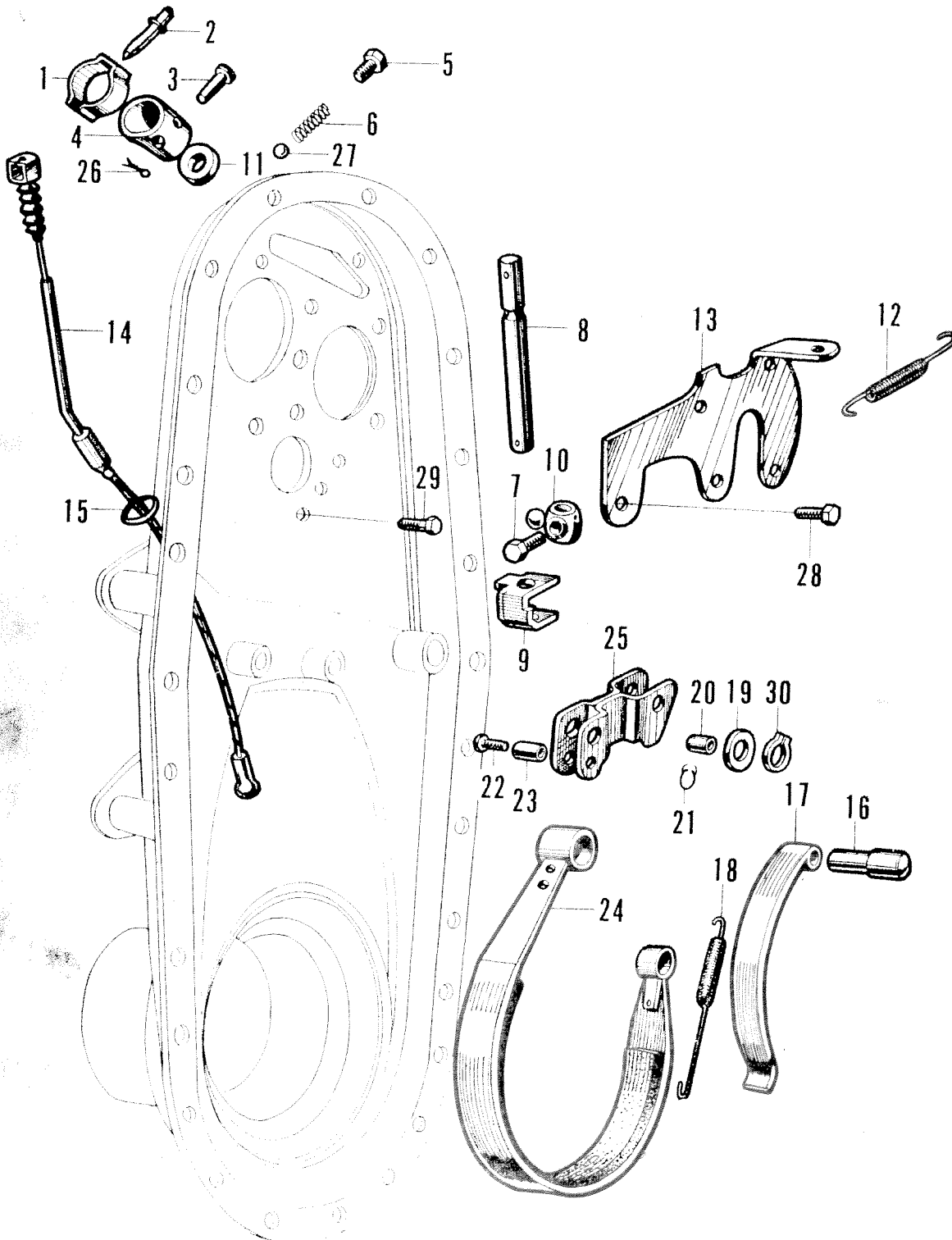
F-14 Wheel Shaft

Ref. No.	Part No.	Description	Reqd. No.		No. Used on		Remarks
			F40T	F40F	From	To	
1	40171-704-000	SPRING, outer return	2	2	F40-122681		6301
2	23370-704-020	SHAFT, wheel	2	2	F40-122681		
3	90921-704-000	BALL, steel, 5/8	6	6	F40-122681		
4	40110-704-030	OUTER, right side clutch	1	1	F40-122681		
5	23675-704-000	SPROCKET, drive	1	1	F40-122681		23675-704-000
6	23685-704-010	SPROCKET, driven	1	1	F40-122681		23685-704-010
7	23651-704-000	CHAIN, drive	1	1	F40-122681		010
8	91023-703-010	BEARING, needle, 202423	2	2	F40-122681		
9	91105-701-000	ROLLER, rod, 2x13.8	44	44	F40-122681		
10	40120-704-030	OUTER, left side clutch	1	1	F40-122681		
11	90451-704-000	WASHER A, thrust, 20 mm	1	1	F40-122681		
12	23671-704-000	SHAFT, drive sprocket	1	1	F40-122681		
13	96100-62060	BEARING, ball, 6206	2	2			

F-14 Wheel Shaft



F-15 Change Shaft · Brake Shoe



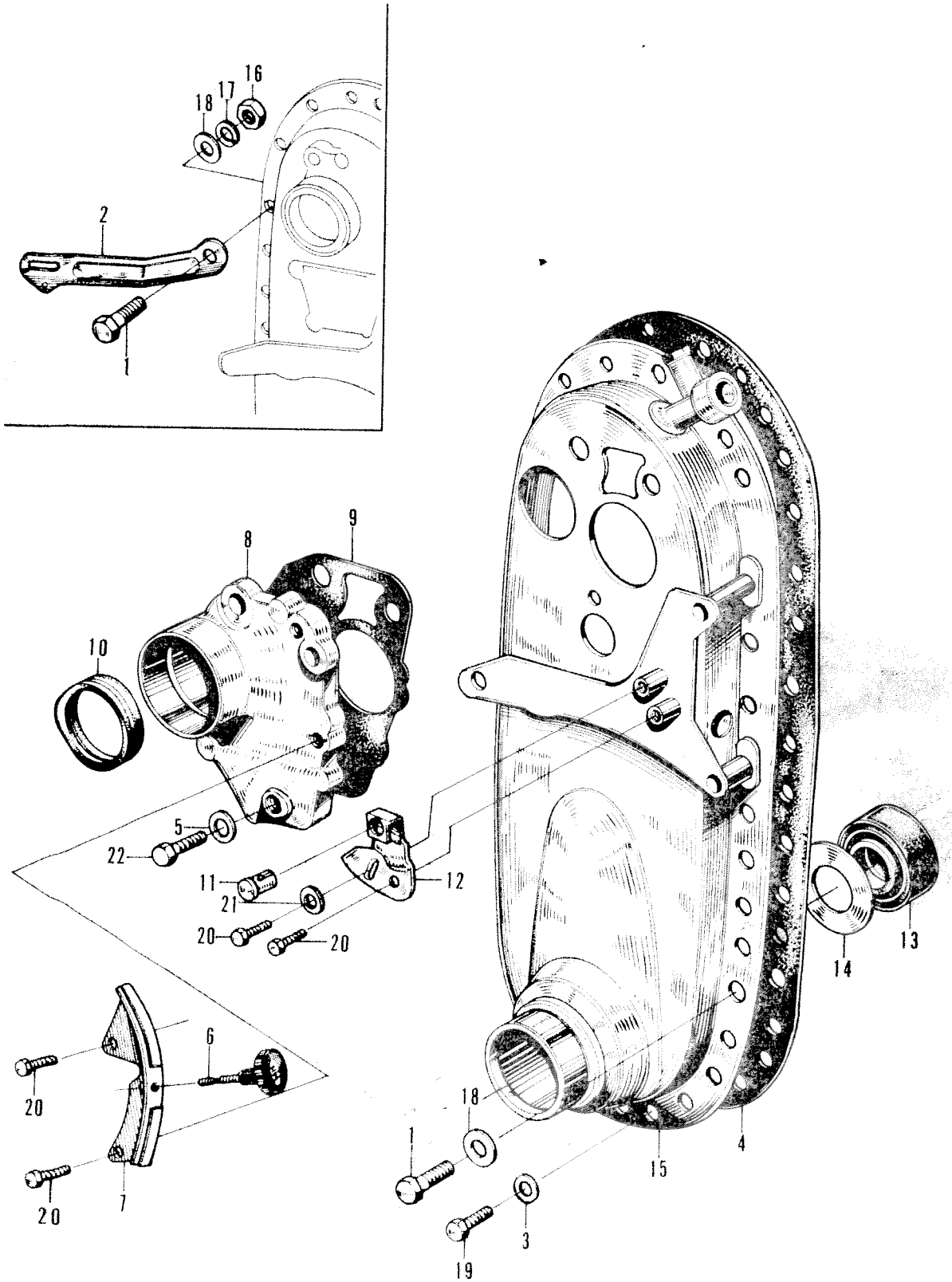
F-15 Change Shaft · Brake Shoe

Ref. No.	Part No.	Description	Reqd. No.		No. Used on		Remarks
			F40T	F40F	From	To	
1	54172-704-000	CLIP, joint pin	1	1	F40-122681		
2	54171-704-000	JOINT, 5×25	1	1	F40-122681		
3	24517-704-000	PIN, 5φ	1	1	F40-122681		
4	24531-704-010	JOINT, change shaft	1	1	F40-122681		
5	90086-700-000	BOLT, hex., 8×8	1	1	F40-122681		
6	24271-700-000	SPRING, ball setting	1	1	F40-122681		
7	90021-700-010	SCREW, fork setting	1	1	F40-122681		
8	24511-704-010	SHAFT, change	1	1	F40-122681		
9	24301-704-000	LOCK, inter	1	1	F40-122681		
10	24611-704-000	LEVER, change	1	1	F40-122681		
11	91201-704-000	OIL-SEAL, PJ10227	1	1	F40-122681		
12	24631-704-000	SPRING, change shaft return	1	1	F40-122681		
13	23902-704-000	STOPPER, bearing	1	1	F40-122681		
14	40310-704-010	WIRE A, side clutch	1	1	F40-122681		
15	91301-704-000	O-RING, 6 mm	1	1	F40-122681		
16	23662-704-000	SHAFT, tensioner	1	1	F40-122681		
17	23661-704-000	TENSIONER, chain	1	1	F40-122681		
18	40175-704-000	SPRING, brake return	1	1	F40-122681		
19	90472-704-000	WASHER B, 12 mm	1	1	F40-122681		
20	40153-704-000	COLLAR B, brake band	1	1	F40-122681		
21	90601-704-000	CIR-CLIP, 6 mm	1	1	F40-122681		
22	40151-704-000	PIN, brake shoe	1	1	F40-122681		
23	40152-704-000	COLLAR A, brake band	1	1	F40-122681		
24	40140-704-020	SHOE, brake	1	1	F40-122681		
25	40130-704-010	ARM, brake	1	1	F40-122681		
26	94201-16100	PIN, cotter, 1.6 mm	1	1			
27	96211-08000	BALL, steel, #8	1	1			
28	92000-06014	BOLT, hex., 6×14	5	5			
29	92000-06012	BOLT, hex., 6×12	9	9			
30	94510-10100	CIR-CLIP, 10 mm	1	1			

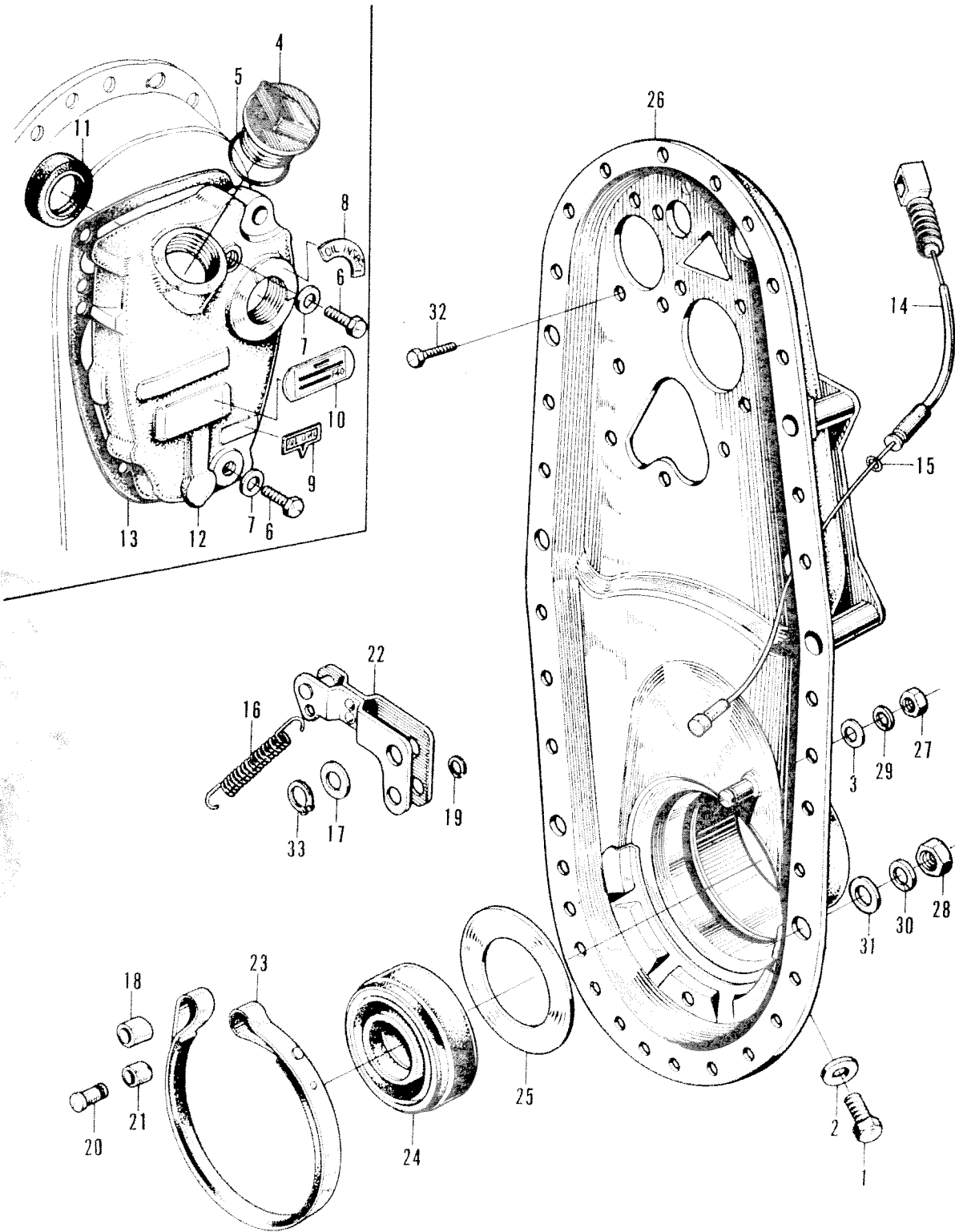
F-16 Left Case

Ref. No.	Part No.	Description	Reqd. No.		No. Used on		Remarks
			F40T	F40F	From	To	
1	90081-704-010	BOLT, knock, 10 mm	1	1	F 40-122681		
2	11801-709-010	STAY, engine	1	1	F 40-122681		
3	90474-704-000	WASHER, 6x17	23	23	F 40-122681		
4	21191-704-010	PACKING, case	1	1	F 40-122681		
5	90488-700-000	WASHER A, 8 mm	1	1	F 40-122681		
6	21821-704-000	LATCH A, belt cover	1	1	F 40-122681		
7	21811-704-020	STAY, belt cover	1	1	F 40-122681		
8	21221-704-010	CASE, left bearing (Not sold)	1	1	F 40-122681		
		(21221-704-010 is set in the 21210-704-030 Case, left)					
9	21225-704-020	PACKING, left bearing case	1	1	F 40-122681		
10	91203-704-000	OIL-SEAL, PJ58726	1	1	F 40-122681		
11	22875-704-000	STOPPER, outer	1	1	F 40-122681		
12	22874-704-000	BRACKET, outer stopper	1	1	F 40-122681		
13	91205-703-000	WATER-SEAL, 305520	1	1	F 40-122681		
14	90473-704-000	WASHER, 31 mm	1	1	F 40-122681		
15	21210-704-030	CASE, left	1	1	F 40-122681		
16	94001-10000	NUT, hex., 10 mm	1	1			
17	94111-10000	WASHER, spring, 10 mm	1	1			
18	94101-10000	WASHER, flat, 10 mm	1	1			
19	92000-06018	BOLT, hex., 6x18	23	23			
20	92000-06012	BOLT, hex., 6x12	4	4			
21	94101-06000	WASHER, flat, 6 mm	1	1			
22	92000-08025	BOLT, hex., 8x25	1	1			

F-16 Left Case



F-17 Right Case



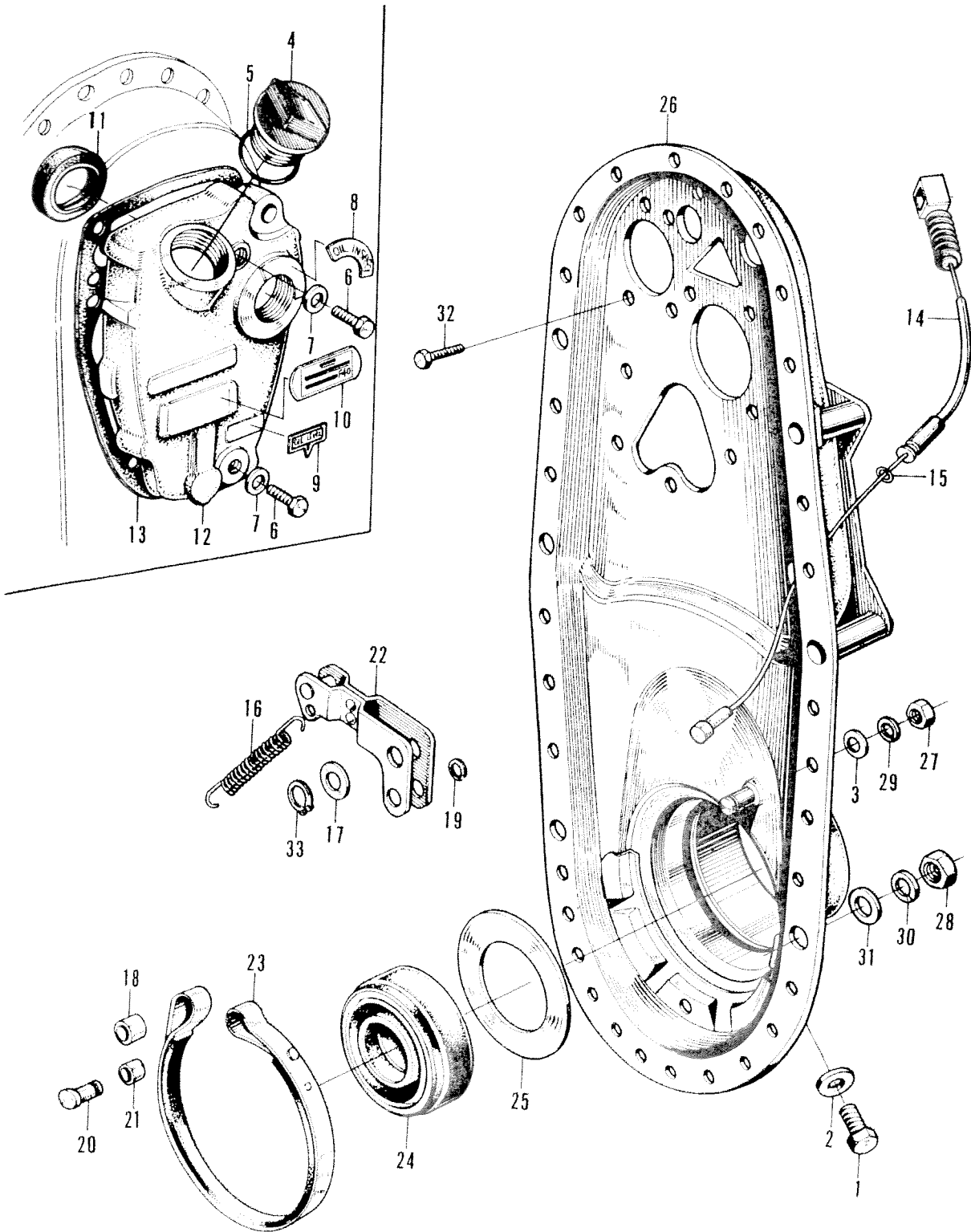
F-17 Right Case

Ref. No.	Part No.	Description	Reqd. No.		No. Used on		Remarks
			F40T	F40F	From	To	
1	90082-704-000	BOLT, knock, 10×12.....	1	1	F40-122681		
2	90472-704-305	WASHER, 10 mm	1	1	F40-122681		
3	90474-704-000	WASHER, 6×17.....	23	23	F40-122681		
4	25620-805-611	CAP, reduction oil	1	1	F40-122681		
5	91301-805-000	O-RING, 66×2.7φ	1	1	F40-122681		
6	25911-700-000	BOLT, oil check	2	2	F40-122681		
7	90481-250-000	WASHER A, 6.5 mm.....	2	2	F40-122681		
8	21123-704-300	MARK A, oil check	1	1	F40-122681		
9	21124-704-300	MARK B, oil check	1	1	F40-122681		
10	87501-704-000	PLATE, registered number	1	1	F40-122681		
11	91204-703-000	OIL-SEAL, PJ26438	1	1	F40-122681		
12	21121-704-010	CASE, right bearing (Not sold).....	1	1	F40-122681		
		(21121-704-010 is set in the 21110-704-010 CASE, right)					
13	21126-704-010	PACKING, right bearing case	1	1	F40-122681		
14	40310-704-010	WIRE A, side clutch	1	1	F40-122681		
15	91301-704-000	O-RING, 6 mm	1	1	F40-122681		
16	40175-704-000	SPRING, break return	1	1	F40-122681		
17	90472-704-000	WASHER B, 10 mm	1	1	F40-122681		
18	40153-704-000	COLLAR, break band	1	1	F40-122681		
19	90601-704-000	CIR-CLIP, 6 mm	1	1	F40-122681		
20	40151-704-000	PIN, break shoe	1	1	F40-122681		
21	40152-704-000	COLLAR A, break band	1	1	F40-122681		
22	40130-704-010	ARM, break	1	1	F40-122681		
23	40140-704-020	SHOE, break	1	1	F40-122681		
24	91205-703-000	WATER-SEAL, 305520.....	1	1	F40-122681		
25	90473-704-000	WASHER, 31 mm	1	1	F40-122681		
26	21110-704-010	CASE, right	1	1	F40-122681		
27	9-1001-06000	NUT, hex., 6 mm	23	23			

F-17 Right Case

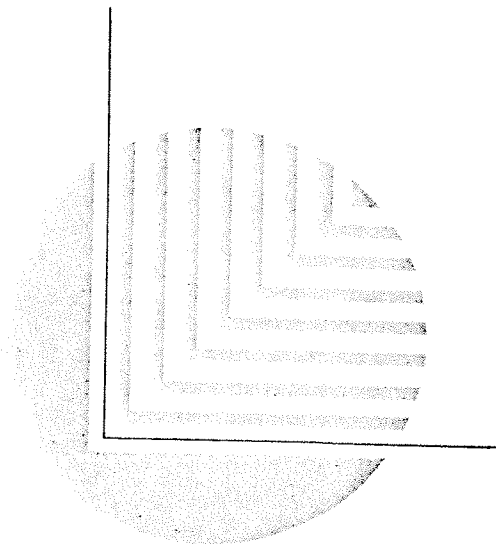
Ref. No.	Part No.	Description	Reqd. No.		No. Used on		Remarks
			F40T	F40F	From	To	
28	94001-10000	NUT, hex., 10 mm	2	2	
29	94111-06000	WASHER, spring, 6 mm	23	23	
30	94111-10000	WASHER, spring, 10 mm.....	2	2	
31	94101-10000	WASHER, flat, 10 mm	2	2	
32	92000-06012	BOLT, hex., 6×12	12	12	
33	94510-10100	CIR-CLIP, 10 mm	1	1	

F-17 Right Case



MEMO

HONDA TILLER
F 4 0
INDEX



PART NO. INDEX

Part No.	Page	Ref. No.	Part No.	Page	Ref. No.	Part No.	Page	Ref. No.
11000 Parts			14000 Parts			16169-822-004	12	31
11200-822-010	35	21	14101-822-010	35	8	16170-823-004	11	11
11200-822-650	35	22	14210-822-010	35	1	16172-822-004	11	17
11210-822-000	35	15	14210-822-650	35	2	16173-260-004	12	40
11210-822-650	35	16	14311-805-010	32	23	16173-822-004	12	29
11211-822-000	35	17	14711-822-010	28	30	16174-822-004	11	21
11801-709-010	68	2	14721-822-010	28	31	16175-260-004	11	14
11901-704-000	55	2	14731-822-000	27	20	16176-822-004	12	27
12000 Parts			14751-805-000	27	26	16177-822-004	11	23
12100-822-030	27	18	14751-822-000	27	27	16181-809-004	12	38
12100-822-650	27	19	14771-805-000	27	24	16181-810-004	12	39
12201-822-000	27	5	14771-822-010	27	25	16182-809-004	12	34
12201-822-650	27	6	14775-805-010	27	28	16182-810-004	12	35
12251-822-000	27	7	14775-822-000	27	29	16186-822-004	11	4
12361-822-000	27	10	14777-822-305	27	21	16187-822-004	11	15
12361-822-650	27	11	14777-822-315	27	22	16187-822-650	11	16
12371-822-000	27	13	14777-822-325	27	23	16211-822-010	27	8
12372-822-000	27	12	15000 Parts			16229-822-010	27	9
13000 Parts			15211-704-000	63	3	16235-805-000	12	41
13000-822-020	31	1	15420-704-000	63	2	16237-709-000	27	14
13000-822-030	31	1	15611-805-010	20	18	16237-822-650	27	15
13000-822-730	31	2	15630-815-030	20	22	16261-709-000	51	8
13000-822-732	31	2	15652-815-000	20	21	16265-704-000	51	9
13000-822-631	31	3	15663-815-000	20	20	16266-709-000	51	7
13000-822-691	31	4	15668-815-000	20	23	16267-709-000	51	10
13000-822-701	31	5	15761-704-000	51	1	16269-822-000	7	10
13000-822-711	31	6	16000 Parts			16511-805-000	11	3
13000-822-721	31	7	16100-822-000	11	1	16511-805-000	35	7
13011-805-000	31	8	16100-822-650	11	2	16515-805-000	35	5
13021-805-000	31	9	16122-822-004	11	18	16521-822-010	35	4
13031-805-000	31	10	16125-822-004	12	28	16523-805-000	35	6
13041-805-000	31	11	16126-823-004	11	19	16535-822-010	19	19
13101-822-000	31	14	16134-822-004	12	26	16535-822-650	19	20
13111-805-000	31	13	16138-822-004	11	22	16541-822-000	19	15
13115-805-000	31	12	16141-822-004	11	8	16541-822-650	19	16
13321-822-000	32	31	16151-822-004	11	7	16545-822-000	19	17
13321-822-010	32	34	16152-822-004	11	6	16545-822-650	19	18
13311-822-020	32	24	16161-809-004	12	36	16551-805-000	19	1
13321-805-020	32	25	16161-810-004	12	37	16551-806-000	19	2
13321-807-630	32	26	16163-809-004	12	32	16551-822-730	19	3
13321-807-730	32	26	16163-810-004	12	33	16560-822-000	19	12
13321-807-680	32	27	16164-701-004	11	12	16560-822-650	19	13
13321-807-690	32	28	16164-822-650	11	13	16561-822-010	19	10
13321-807-700	32	29	16165-822-004	11	5	16561-822-650	19	11
13321-807-710	32	30	16166-822-004	11	20	16562-822-010C	19	14
13325-805-620	32	18	16167-822-004	12	30	16564-822-000	19	4
13381-805-010	32	33	16168-823-004	11	10	16564-822-650	19	5
13491-701-000	32	20				16566-822-000	19	6
						16566-822-650	19	7
						16591-805-000	15	2
						16591-806-000	15	3
						16591-805-820	15	4

PART NO. INDEX

Part No.	Page	Ref. No.	Part No.	Page	Ref. No.	Part No.	Page	Ref. No.
24271-700-000	60	6	30565-822-000	23	9	40000 Parts		
24301-704-000	67	6	30600-822-000	23	7	40110-704-030	64	4
24511-704-010	67	9	30600-815-000	23	8	40120-704-030	64	10
24517-704-000	67	8	31000 Parts			40130-704-010	67	25
24531-704-010	67	3	31121-822-020	23	5	40140-704-020	67	24
24531-704-010	67	4	31121-822-030	23		40151-704-000	67	22
24611-704-000	67	10	31121-822-650	23	6	40151-704-000	71	20
24631-704-000	67	12	31121-822-651	23		40152-704-000	67	23
25000 Parts			31125-822-000	23	1	40152-704-000	71	21
25231-704-000	63	6	31121-822-650	23	2	40153-704-000	67	20
25235-704-000	63	4	31511-822-810	24	23	40153-704-000	71	18
25275-704-000	63	5	31521-815-169	24	21	40171-704-000	64	1
25280-704-000	63	8	31521-805-642	24	22	40175-704-000	67	18
25620-805-611	71	4	32000 Parts			40175-704-000	71	16
25911-700-000	71	6	32300-808-610	20	2	40310-704-010	67	14
28000 Parts			32905-704-000	59	2	40310-704-010	71	14
28400-822-810C	16	1	32951-703-000	23	12	42000 Parts		
28400-822-650C	16	2	32952-805-020	23	18	42400-703-000	56	14
28410-822-810C	16	24	33000 Parts			42701-703-010N	56	8
28420-809-810	16	17	33110-704-000	55	3	42702-703-010N	56	9
28420-822-650	16	18	33130-704-305	55	4	42751-703-000	56	10
28423-809-810	16	3	33130-704-000	55	6	42752-703-010	56	11
28423-810-810	16	4	34000 Parts			50000 Parts		
28430-822-010	20	8	34901-030-000	55	5	50110-704-010	48	15
28430-822-650	20	9	35000 Parts			50211-704-000	48	2
28441-809-810	16	9	35100-704-000	48	14	50221-704-000	48	1
28441-822-650	16	10	35111-704-000	48	5	50610-704-000N	52	10
28445-809-810	16	7	35112-701-000	48	4	50671-703-810	52	5
28445-822-650	16	8	36000 Parts			50691-703-000	52	4
28446-809-810	16	13	36100-809-010	20	3	51000 Parts		
28446-822-650	16	14	36100-811-000	20	4	51510-704-010	39	5
28451-809-810	16	23	36151-805-641	23	19	51110-704-010N	59	6
28455-822-810	16	11	36152-805-640	23	20	51521-704-000	59	4
28455-822-650	16	12	38000 Parts			51630-703-010	52	6
28461-805-810	16	21	38100-704-000	59	3	53000 Parts		
28465-809-810	16	19	30000 Parts			53110-701-040	44	24
28465-822-650	16	20	30210-822-000	23	13	53110-709-000	44	
28470-805-000	20	10	30210-822-650	23	14	53110-704-823	47	5
28471-809-810	16	22	30280-822-010	23	15	53110-709-680	47	
30000 Parts			30280-822-650	23	16	53150-701-040	44	25
30210-822-000	23	13	30280-815-013	23	17	53150-709-000	44	
30210-822-650	23	14	30500-822-000	23	10	53150-704-823	47	6
30280-822-010	23	15	30600-822-630	23	11	53150-709-680	47	
30280-822-650	23	16	40000 Parts			53211-701-020	43	18
30280-815-013	23	17	40110-704-030	64		53211-704-680	47	7
30500-822-000	23	10	40120-704-030	64		40000 Parts		
30600-822-630	23	11	40130-704-010	67		40110-704-030	64	4
30000 Parts			40140-704-020	67		40120-704-030	64	10
30210-822-000	23	13	40151-704-000	67		40130-704-010	67	25
30210-822-650	23	14	40151-704-000	71		40140-704-020	67	24
30280-822-010	23	15	40152-704-000	67		40151-704-000	67	22
30280-822-650	23	16	40152-704-000	71		40151-704-000	71	20
30280-815-013	23	17	40153-704-000	67		40152-704-000	67	23
30500-822-000	23	10	40153-704-000	71		40152-704-000	71	21
30600-822-630	23	11	40171-704-000	64		40153-704-000	67	20
30000 Parts			40171-704-000	64		40153-704-000	71	18
30210-822-000	23	13	40175-704-000	67		40171-704-000	64	1
30210-822-650	23	14	40175-704-000	71		40175-704-000	67	18
30280-822-010	23	15	40310-704-010	67		40175-704-000	71	16
30280-822-650	23	16	32000 Parts			40310-704-010	67	14
30280-815-013	23	17	32300-808-610	20	2	40310-704-010	71	14
30500-822-000	23	10	32905-704-000	59	2	42000 Parts		
30600-822-630	23	11	32951-703-000	23	12	42400-703-000	56	14
30000 Parts			32952-805-020	23	18	42701-703-010N	56	8
30210-822-000	23	13	33000 Parts			42702-703-010N	56	9
30210-822-650	23	14	33110-704-000	55	3	42751-703-000	56	10
30280-822-010	23	15	33130-704-305	55	4	42752-703-010	56	11
30280-822-650	23	16	33130-704-000	55	6	50000 Parts		
30280-815-013	23	17	34000 Parts			50110-704-010	48	15
30500-822-000	23	10	34901-030-000	55	5	50211-704-000	48	2
30600-822-630	23	11	35000 Parts			50221-704-000	48	1
30210-822-000	23	13	35100-704-000	48	14	50610-704-000N	52	10
30210-822-650	23	14	35111-704-000	48	5	50671-703-810	52	5
30280-822-010	23	15	35112-701-000	48	4	50691-703-000	52	4
30280-822-650	23	16	36000 Parts			51000 Parts		
30280-815-013	23	17	36100-809-010	20	3	51510-704-010	39	5
30500-822-000	23	10	36100-811-000	20	4	51110-704-010N	59	6
30600-822-630	23	11	36151-805-641	23	19	51521-704-000	59	4
30000 Parts			36152-805-640	23	20	51630-703-010	52	6
30210-822-000	23	13	38000 Parts			53000 Parts		
30210-822-650	23	14	38100-704-000	59	3	53110-701-040	44	24
30280-822-010	23	15	40000 Parts			53110-709-000	44	
30280-822-650	23	16	40110-704-030	64		53110-704-823	47	5
30280-815-013	23	17	40120-704-030	64		53110-709-680	47	
30500-822-000	23	10	40130-704-010	67		53150-701-040	44	25
30600-822-630	23	11	40140-704-020	67		53150-709-000	44	
30000 Parts			40151-704-000	67		53150-704-823	47	6
30210-822-000	23	13	40151-704-000	71		53150-709-680	47	
30210-822-650	23	14	40152-704-000	67		53211-701-020	43	18
30280-822-010	23	15	40152-704-000	71		53211-704-680	47	7
30280-822-650	23	16	40153-704-000	67		40000 Parts		
30280-815-013	23	17	40153-704-000	71		40110-704-030	64	4
30500-822-000	23	10	40171-704-000	64		40120-704-030	64	10
30600-822-630	23	11	40171-704-000	64		40130-704-010	67	25
30000 Parts			40175-704-000	67		40140-704-020	67	24
30210-822-000	23	13	40175-704-000	71		40151-704-000	67	22
30210-822-650	23	14	40310-704-010	67		40151-704-000	71	20
30280-822-010	23	15	32000 Parts			40152-704-000	67	23
30280-822-650	23	16	32300-808-610	20	2	40152-704-000	71	21
30280-815-013	23	17	32905-704-000	59	2	40153-704-000	67	20
30500-822-000	23	10	32951-703-000	23	12	40153-704-000	71	18
30600-822-630	23	11	32952-805-020	23	18	40171-704-000	64	1
30000 Parts			33000 Parts			40175-704-000	67	18
30210-822-000	23	13	33110-704-000	55	3	40175-704-000	71	16
30210-822-650	23	14	33130-704-305	55	4	40310-704-010	67	14
30280-822-010	23	15	33130-704-000	55	6	40310-704-010	71	14
30280-822-650	23	16	34000 Parts			42000 Parts		
30280-815-013	23	17	34901-030-000	55	5	42400-703-000	56	14
30500-822-000	23	10	35000 Parts			42701-703-010N	56	8
30600-822-630	23	11	35100-704-000	48	14	42702-703-010N	56	9
30000 Parts			35111-704-000	48	5	42751-703-000	56	10
30210-822-000	23	13	35112-701-000	48	4	42752-703-010	56	11
30210-822-650	23	14	36000 Parts			50000 Parts		
30280-822-010	23	15	36100-809-010	20	3	50110-704-010		

PART NO. INDEX

Part No.	Page	Ref. No.	Part No.	Page	Ref. No.	Part No.	Page	Ref. No.
90754-703-000	56	13						
90921-704-000	64	3						
91000 Parts								
91001-822-000	32	21						
91002-805-000	32	22						
91021-704-010	40	9						
91023-703-010	64	8						
91101-805-000	32	32						
91105-701-000	64	9						
91201-822-003	35	9						
91201-822-005	35	10						
91201-704-000	67	11						
91202-704-010	40	27						
91203-704-000	68	10						
91204-805-000	35	11						
91204-703-000	71	11						
91205-703-000	71	5						
	71	24						
	68	13						
91301-805-000	20	19						
	35	13						
91301-704-000	67	15						
	71	15						
91302-805-620	32	19						
91302-704-000	40	23						
91303-704-000	40	5						
91304-704-000	40	12						
91305-703-000	60	4						
91354-702-000	35	3						
99000 Parts								
99114-822-0680	11	25						
99114-822-0700	11							
99114-822-0720	11							
99114-822-0750	11							
99114-822-0780	12							
99114-822-0800	12							
99114-822-0820	12							
99114-822-0850	12							
99124-822-0450	11	24						
99124-822-0480	11							
99134-823-0700	11	9						