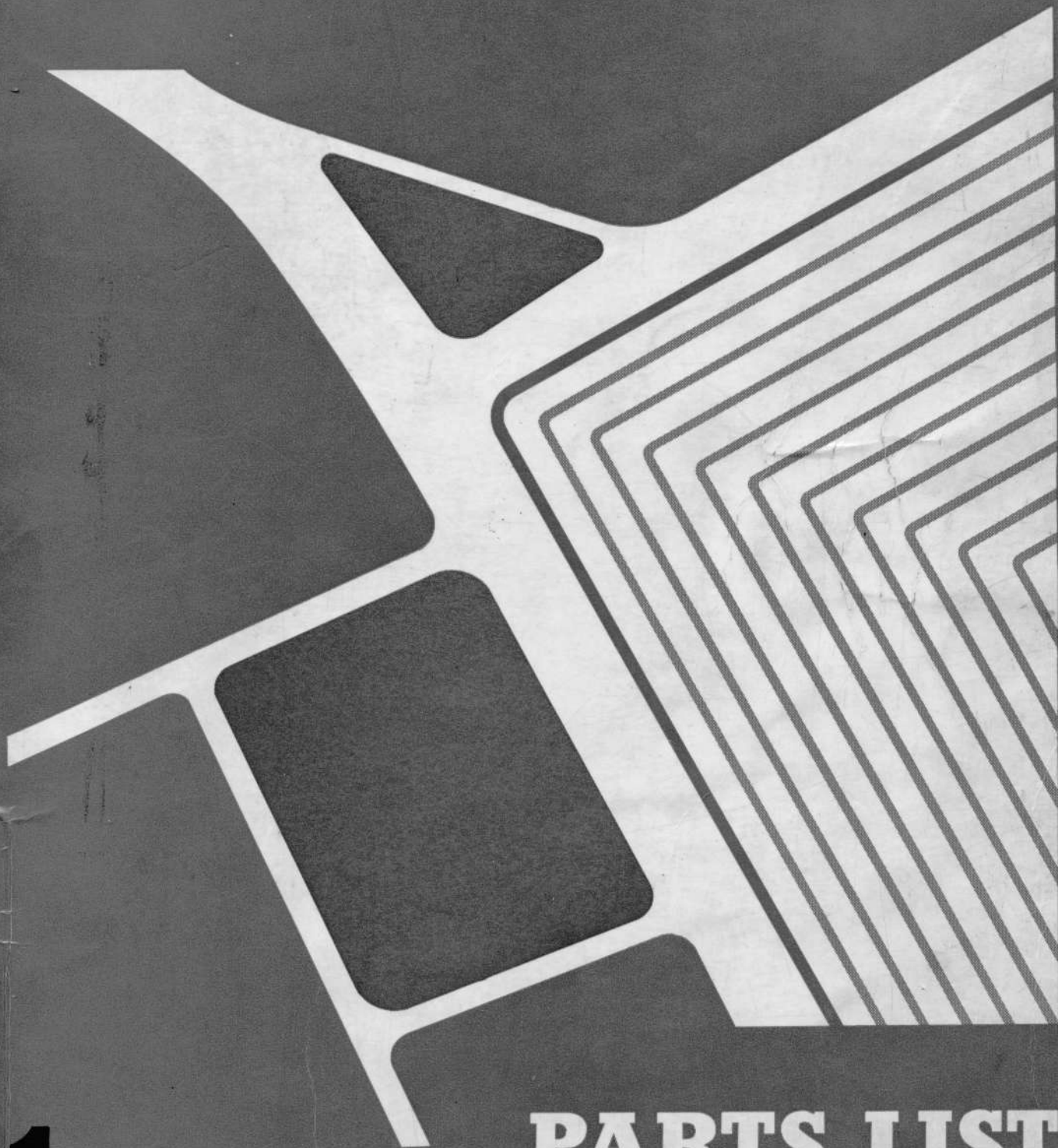




# HONDA

## TILLER MODEL F65



# 1

## PARTS LIST

### HONDA GENUINE PARTS

5 - F 65

A compter du n° moteur 1079001

Nouvelle réf.	Désignation	Ancienne réf.
12100 823 070	Cylindre	12100 823 060
16961 815 024	Corps de robinet d'essence	10961 815 014
30280 823 020	Contacteurs	30280 823 010
17617 822 010	Couvercle de bougie	17617 822 000 N
28410 823 810 H	Couvercle de lanceur	28410 823 810 C
28410 823 810 H	Carter tôle gauche	28410 823 810 C
19611 823 020 H	Carter tôle supérieur	19611 823 000 C
19905 865 000	Caoutchouc passage fil HT	-----
30600 815 030	Antiparasite	30600 822 000
30565 865 650	Protecteur fil HT	30565 822 000
30564 865 630	Pince fil HT	-----
87101 865 000	Emblème	87101 805 000
87515 865 660	Décalcomanie (huile)	-----
15611 921 000	Bouchon remplissage	15611 805 010
A compter du n° moteur 1107784		
16950 822 005	Robinet ESSENCE	16950 822 000
A compter du n° de Transmission 1100001 (F 65 Kl) et n° Moteur 2000001		
16267 714 620	Pipe d'admission	16267 709 000
16268 714 620	Joint d'admission	16268 714 000
17850 709 760	Accélérateur complet	17850 709 000
17910 709 682	Câble accélérateur	17910 709 680
30532 936 000	Pince fil	-----
35130 719 000	Bouton d'arrêt	-----
36152 709 760	Fil bouton d'arrêt	-----
53110 709 682	Mancheron droit	53110 709 680
66111 704 020	Support bouton d'arrêt	66111 704 010
17441 704 020	Bol de filtre à air	17441 704 010
87525 714 000	Décalcomanie F 65	-----
17631 823 000	Silent bloc réservoir	17631 822 000

**HONDA-FRANCE**

SERVICE-APRES VENTE

- 7 -

17500 823 660 XC	Réservoir	17500 823 000 N
16950 823 005	Robinet d'essence	16950 822 005
16851 823 000	Tuyau d'essence	95001 700 85
87522 836 670	Décalcomanie réservoir	-----
95001 35150 40	Tuyau de vidange carburateur	16235 805 000
19901 865 780	Caoutchouc plat	19901 807 000
28430 823 020	Poulie de lanceur	28430 823 010
31121 823 158	Volant magnétique	-----
30560 823 158	Bobine HT	-----
98076 56741	Bougie (B 6 HS)	98076 56740
14214 822 000	Bouchon d'arbre à cames	-----
16535 823 000	Tige de régulateur	16535 809010
19600 823 050 H	Carter tôle gauche	19600 823 040 H
28400 823 811 H	Lanceur complet	28400 823 810 H
28461 823 810	Poignée lanceur	28461 805 810
28410 823 812	Carter lanceur	28410 823 810
16100 823 014	Carburateur	16100 822 000
16591 823 740	Support câble accélérateur	16591 714 000
87525 865 780	Décalcomanie (devant le réservoir)	-----

Nota : les F 65 K1 seront livrés début Mai

# CONTENTS

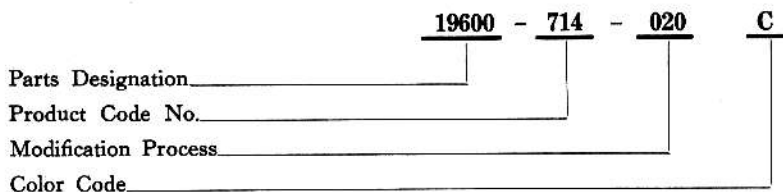
Block No.	Description	Page
	How to use this Parts List .....	2
	Photographs .....	4
<b>ENGINE BLOCK</b>		
G- 1	Fuel Tank .....	6
G- 2	Air Cleaner .....	10
G- 3 (1)	Carburetor .....	12
G- 3 (2)	Carburetor .....	16
G- 4	Muffler • Tool .....	20
G- 5	Recoil Starter .....	22
G- 6	Cover .....	24
G- 7	Flywheel • High Tention Coil .....	28
G- 8	Cylinder Barrel • Oil Pan .....	32
G- 9	Crankshaft .....	36
G-10	Camshaft • Valve .....	40
<b>FRAME BLOCK</b>		
F- 1	Weight .....	42
F- 2	Belt Cover .....	44
F- 3	Pulley .....	46
F- 4	Handle .....	48
F- 5	Swing Handle .....	50
F- 6	Handle Column .....	52
F- 7	Air Cleaner .....	54
F- 8	Hitch Box • Tool .....	56
F- 9	Head Light .....	58
F-10	Wheel .....	60
F-11	Engine Frame .....	62
F-12	Mission .....	64
F-13	Oil Pump .....	66
F-14	Wheel Shaft .....	68
F-15	Change Shaft Brake Shoe .....	70
F-16	Left Case .....	72
F-17	Right Case .....	74
<b>INDEX</b>		
	Part No. Index .....	77
	Alphabetical Index .....	78

## HOW TO USE THIS PARTS LIST

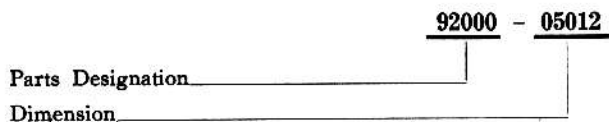
1. This Parts List comprises the spare parts available for Honda Tiller Model F65.

2. Structure of part numbers is as follows :

○ General parts



○ Standard parts (such as bolt and nut)



3. Information of initial product has been eliminated from this Parts List.

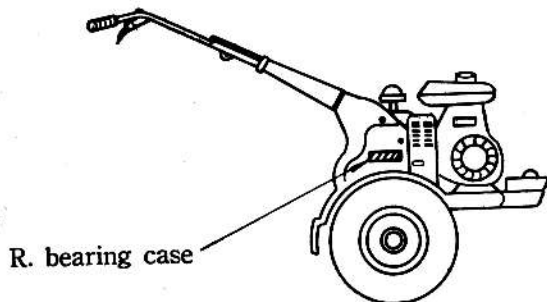
When serial number is not indicated in the column of serial number, the same parts are used from the initial product.

(Example)

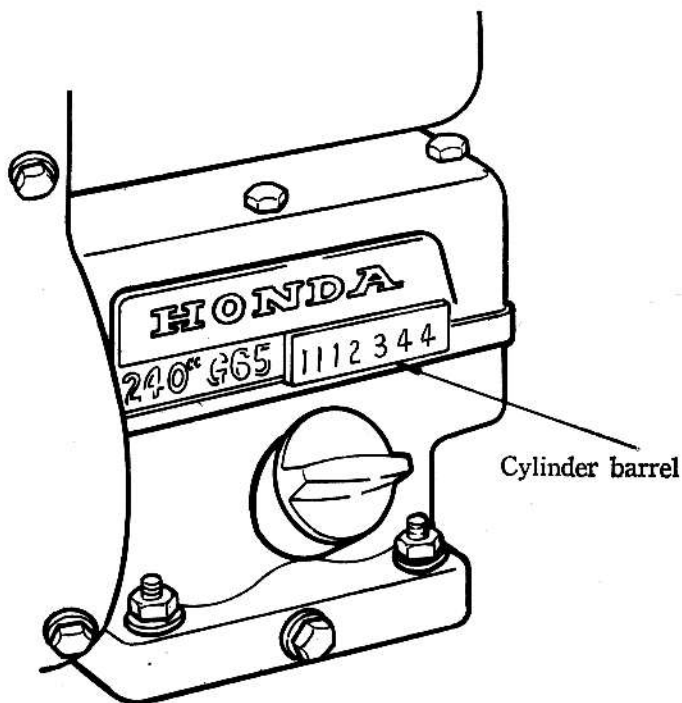
Serial No. is marked as follows.

Frame: F714 - 1004001  
(7 figures)

Engine: G65 - 1035240  
(7 figures)



Location of frame No.



Location of engine No.

4. Remarks

- a. When modification is made to component, the details will be announced by Parts News, and Parts List will be revised when deems necessary.
- b. When modification are mode to parts, reference numbers will follow like.

(Example)

- 1 Original part
- 1-1 Once modified part
- 1-2 Twice modified part

- c. The parts number for power tiller F65 are listed up at the Q'ty column "G65 FD" and "G65 FE".  
These columnes were painted by "Blown" belt.
- d. This Parts List was compiled as on January 10, 1970.

**HONDA MOTOR CO., LTD.**



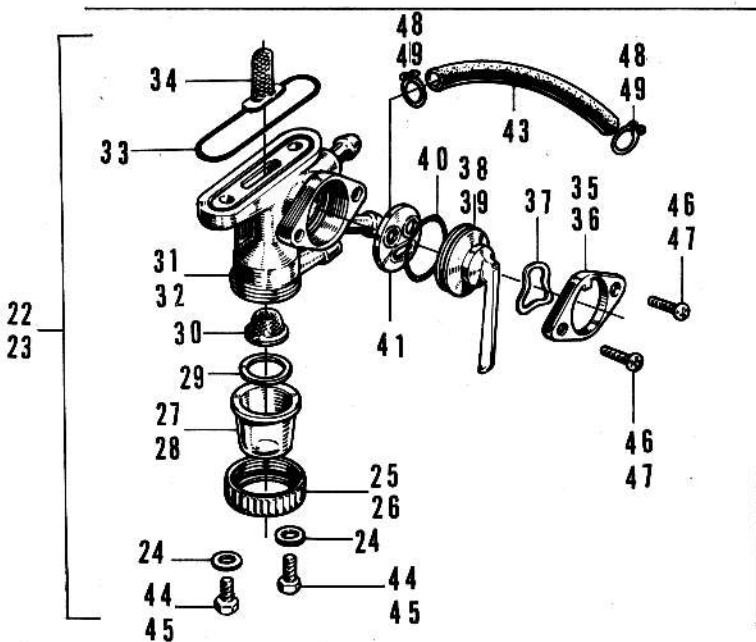
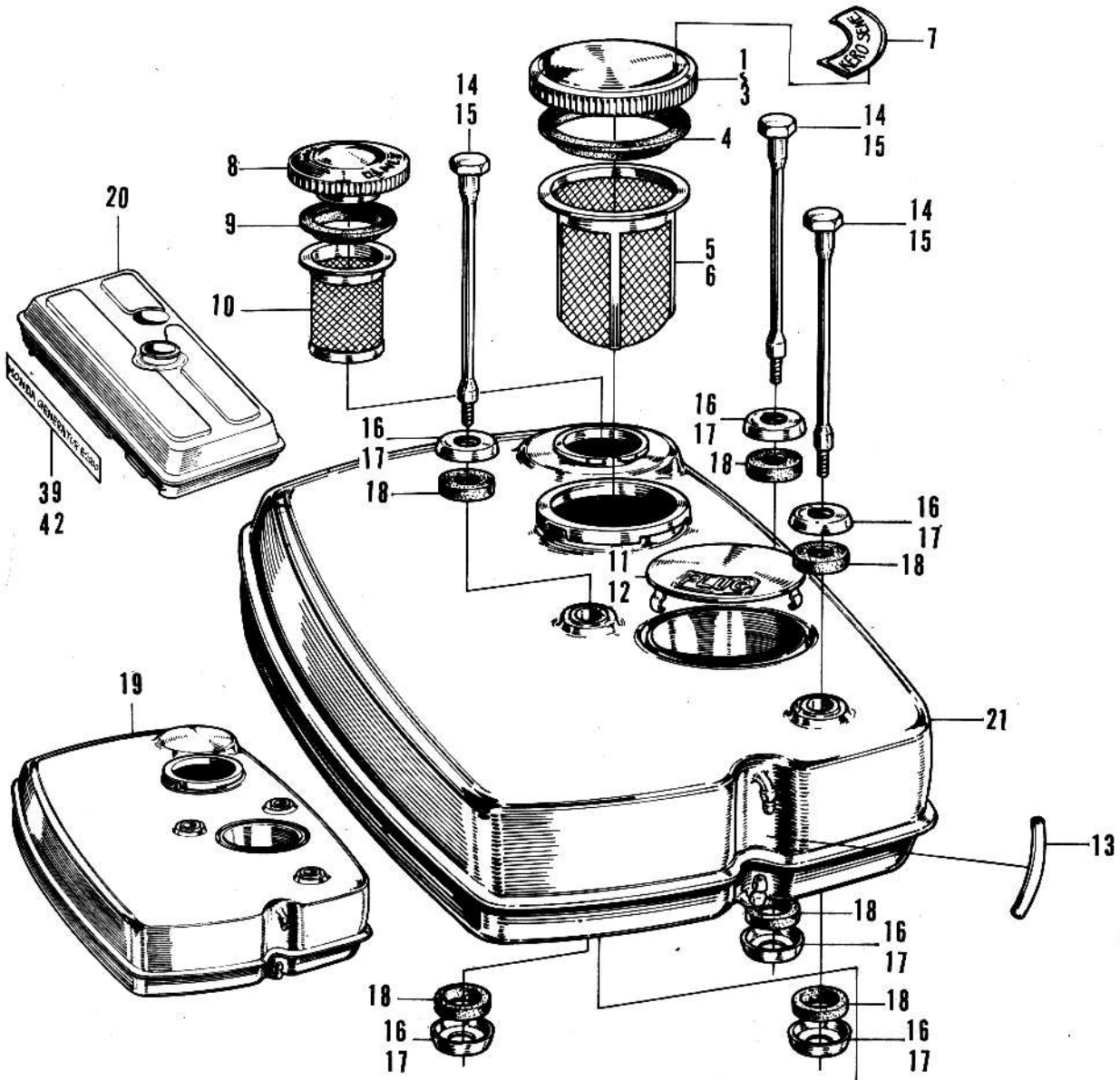
There are two types of model F65, namely the F65D and F65F. The characteristics of the respective types are as follows.

Item	Type	F65D	F65F
Mounted engine		G65FD	G65FE
Handle		Fixed type	Swing type
Light		Standard equipped	Not equipped
Horn		Standard equipped	Not equipped
Rear view mirror		Standard equipped	Not equipped
Front & tire weights		Standard equipped	Not equipped
Drag bar		Unitized type	Component assembly
Change lever		Horizontally mounted	Vertically mounted





# G-1 Fuel Tank

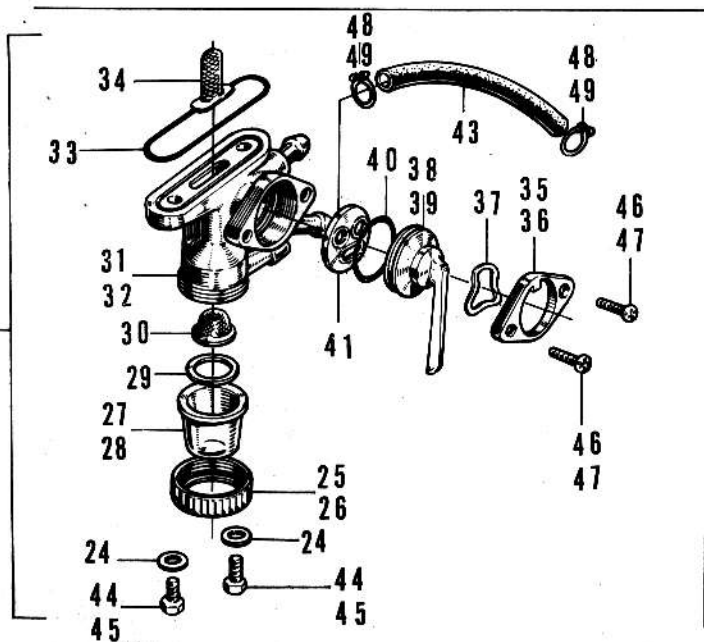
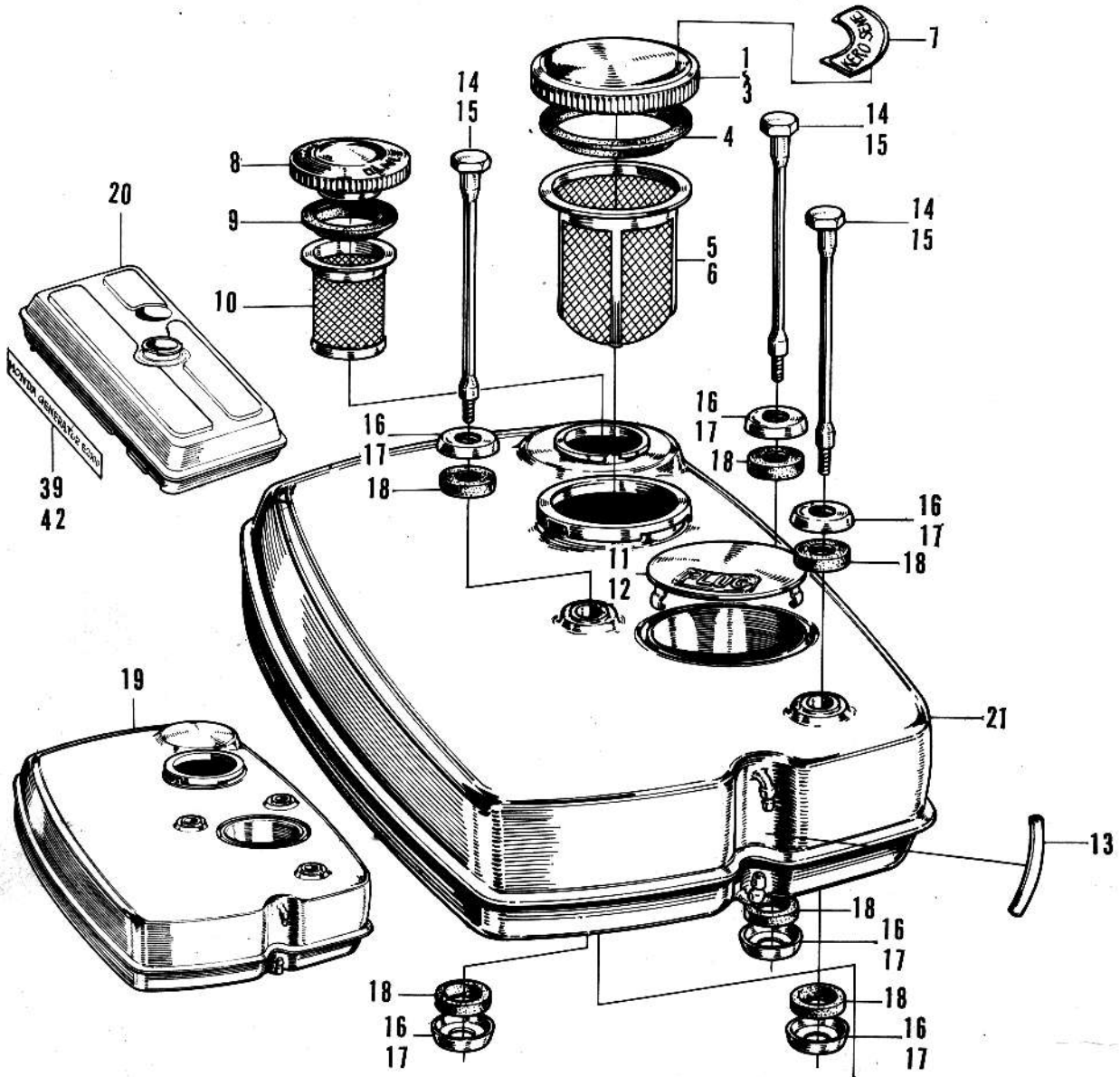


## G-1 Fuel Tank

Ref. No.	Part No.	Description	Reqd. No.			No. Used on		News No.
			665 D	665 MD	665 ED	665 0	From To	
1	17650-805-000	CAP, fuel tank.....	1	-	1			
2	17650-808-000	CAP, fuel tank.....	-	-	-			
3	17650-806-000	CAP, fuel tank.....	-	1	-			
4	17673-703-030	PACKING, fuel filter.....	1	1	1			
5	17672-703-010	FILTER, fuel .....	1	-	1			
6	17671-822-650	FILTER, fuel .....	-	1	-			
7	87523-843-790	MARK, fuel tank cap .....	-	-	-			1
8	17650-822-600	CAP, sud tank.....	-	-	-			1
9	17673-801-000	RUBBER, filter .....	-	-	-			1
10	17672-801-010	FILTER, fuel .....	-	-	-			1
11	17617-822-000N	COVER, plug .....	1	1	-			-
12	17617-843-780B	COVER, plug .....	-	-	-			1
13	17681-822-000	TUBE, fuel level.....	1	1	-			1
14	90002-822-000	BOLT, tank setting .....	3	-	-			3
15	90002-822-650	BOLT, tank setting .....	-	3	-			-
16	90401-822-000	WASHER, tank .....	6	-	-			6
17	90401-822-650	WASHER, tank .....	-	6	-			-
18	17631-822-000	RUBBER, tank cushion .....	6	6	-			6
19	17500-823-000N	TANK, fuel .....	1	1	-			-
20	17500-829-020N	TANK, fuel .....	-	-	1			-
21	17500-823-780S	TANK, fuel .....	-	-	-			1
22	16950-822-000	COCK ASSY., fuel .....	1	-	1			1
23	16950-822-650	COCK ASSY., fuel .....	-	1	-			-
24	90445-700-000	PACKING, fiber, 6 mm .....	2	2	2			2
25	16957-703-004	NUT, ring.....	1	-	1			1
26	16957-822-650	NUT, ring.....	-	1	-			-
27	16921-815-004	CHAMBER, fuel.....	1	-	1			1
28	16921-822-650	CHAMBER, fuel.....	-	1	-			-
29	16958-703-004	PACKING, cap .....	1	1	1			1
30	16931-822-004	ELEMENT .....	1	1	1			1
								1009824
								1011744
31	16961-815-014	BODY, cock.....	1	-	1			1
32	16961-822-650	BODY, cock.....	-	1	-			-
33	16955-815-004	O-RING.....	1	1	1			1

ENGINE GROUP

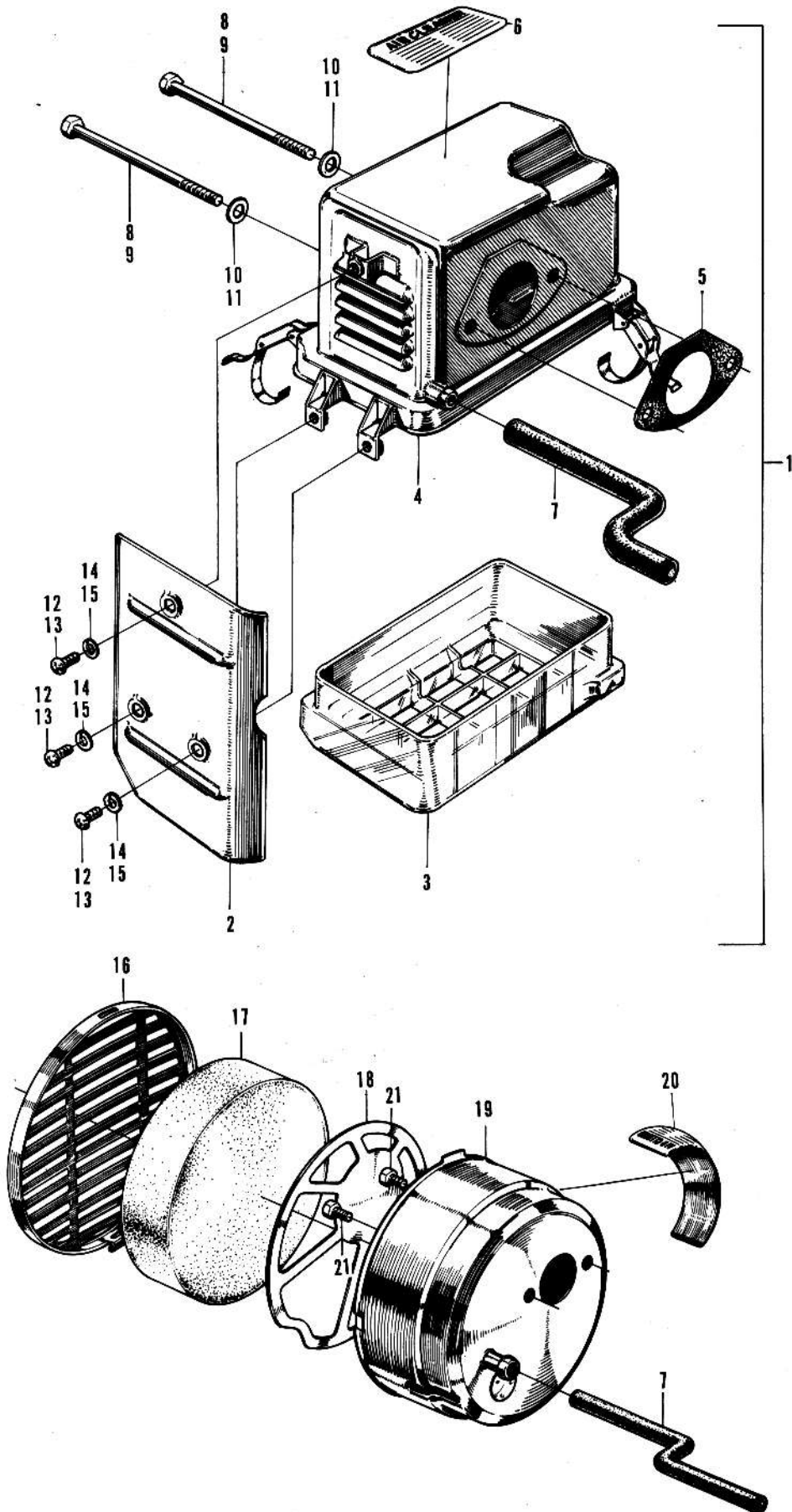
# G-1 Fuel Tank



## G-1 Fuel Tank

Ref. No.	Part No.	Description	Reqd. No.				No. Used on		News No.
			665 D	665 MD	665 ED	665 D	From	To	
A- 34	16981-822-004	FILTER, check .....	1	1	1	-		1011744	
35	16978-815-004	STOPPER, lever.....	1	-	1	1			
36	16978-822-650	STOPPER, lever.....	-	1	-	-			
37	16975-815-004	SPRING, cock lever .....	1	1	1	1			
38	16972-822-014	LEVER, cock .....	1	-	1	1			
39	16972-822-651	LEVER, cock .....	-	1	-	-			
40	16983-815-000	O-RING, 21 mm.....	1	1	1	1			
41	16973-815-014	PACKING, cock.....	1	1	1	1			
42	87101-829-000	MARK, top .....	-	-	1	-			
43	95001-70085	TUBE, fuel, 7x85 .....	1	1	-	1			
44	92000-06016	BOLT, hex., 6x16.....	2	-	2	2			
45	92000-0601602	BOLT, hex., 6x16 (Cr) .....	-	2	-	-			
46	93500-03006	SCREW, pan, 3x6.....	2	-	2	2			
47	93500-0300602	SCREW, pan, 3x6 (Cr) .....	-	2	-	-			
48	95002-70000	CLIP, fuel tube, 7 mm .....	2	-	-	2			
49	90642-822-650	CLIP, fuel tube, 7 mm .....	-	2	2	-			

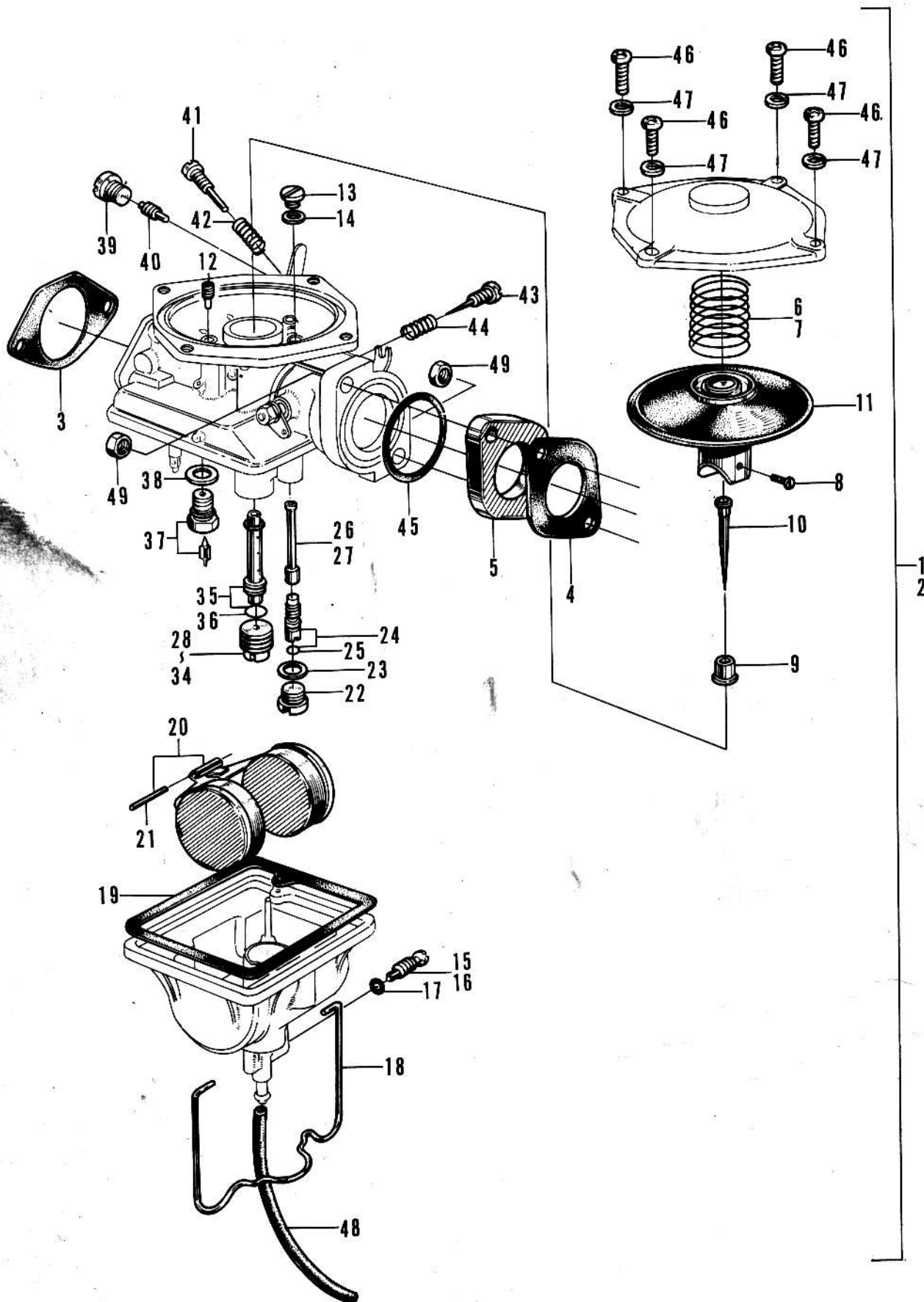
# G-2 Air Cleaner



## G-2 Air Cleaner

Ref. No.	Part No.	Description	Reqd. No.			6T65 D	No. Used on		News No.
			665 D	665 MD	665 ED		From	To	
1	17400-823-660	AIR-CLEANER ASSY., oil bath .....	1	1	-	1			
2	17403-822-810	PROTECTOR .....	1	1	-	1			
3	17402-822-660	OIL-PAN, cleaner .....	1	1	-	1			
4	17401-823-810	CLEANER BODY .....	1	1	-	1			
5	16269-822-000	PACKING, aircleaner .....	1	1	-	1			
6	87535-816-660	PLATE, caution oil bath .....	1	1	-	1	1013012		
7	12381-823-000	TUBE, breather .....	1	1	1	1			
8	92000-06090	BOLT, hex., 6×90 .....	2	-	-	2			
9	92000-0609002	BOLT, hex., 6×90 (Cr) .....	-	2	-	-			
10	94101-06000	WASHER, flat, 6 mm .....	2	-	-	2			
11	94101-06200	WASHER, flat, 6 mm (Cr) .....	-	2	-	-			
12	93500-04008	SCREW, cross, 4×8 .....	3	-	-	3			
13	93500-0400802	SCREW, cross, 4×8 (Cr).....	-	3	-	-			
14	94111-04000	WASHER, spring, 4 mm .....	3	-	-	3			
15	94111-04020	WASHER, spring, 4 mm (Cr).....	-	3	-	-			
16	17231-809-010C	COVER, air cleaner .....	-	-	1	-			
17	17211-809-010	ELEMENT, air cleaner.....	-	-	1	-			
18	17212-810-000	GRID, air cleaner .....	-	-	1	-			
19	17220-823-000	CASE, air cleaner .....	-	-	1	-			
20	87534-822-660	PLATE, caution air cleaner.....	-	-	1	-	1013012		
21	92000-06012	BOLT, hex., 6×12 .....	-	-	2	-			

# G-3 (1) Carburetor



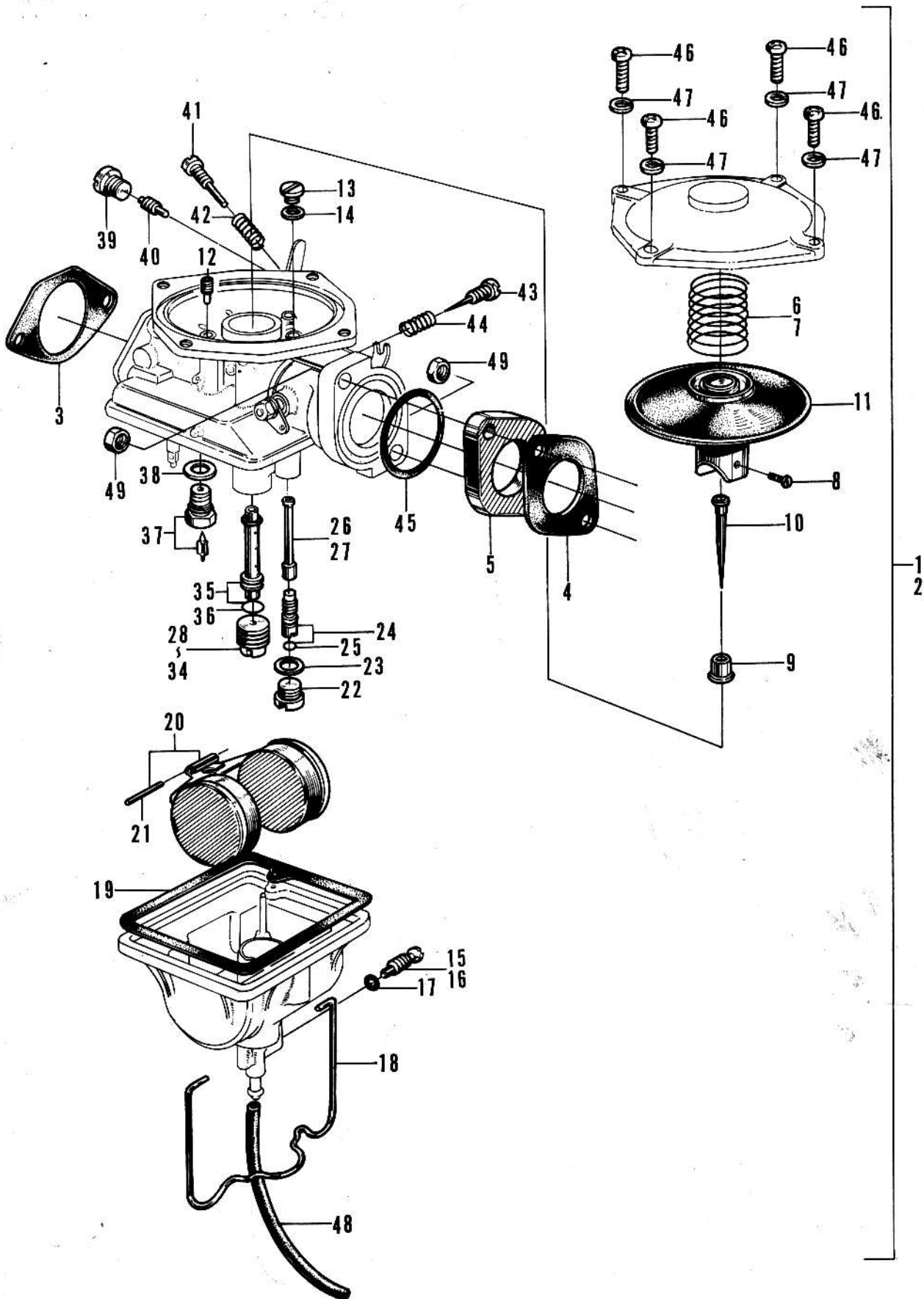
1  
2

### G-3 (1) Carburetor

Ref. No.	Part No.	Description	Reqd. No.			No. Used on		News No.
			665 D	665 MD	665 ED	From	To	
1	16100-823-000	CARBURETOR ASSY.....	1	-	1			
2	16100-823-650	CARBURETOR ASSY.....	-	1	-			
3	16269-822-000	PACKING, air cleaner .....	1	1	1			
4	16229-823-000	PACKING, carburetor insulator.....	1	1	1			
5	16211-823-303	INSULATOR, carburetor .....	1	1	1			
6	16186-823-004	SPRING, vacuum piston .....	1	-	1			
7	16186-823-760	SPRING, vacuum piston .....	-	1	-			
8	16165-822-004	SCREW, needle set.....	1	1	1			
R 9	<u>16152-822-004</u>	HOLDER, jet needle <i>16152-822-024</i>	1	1	1			
R 10	<u>16151-823-004</u>	NEEDLE, jet... <i>16151-823-014</i>	1	1	1			
11	16141-823-004	SET, vacuum piston .....	1	1	1			
12	99134-823-0700	JET, air (#70) S.T.D.....	1	1	1			
13	16168-823-004	SCREW, plug .....	1	1	1			
14	16170-823-004	WASHER, fiber, 3 mm .....	1	1	1			
15	16164-701-004	SCREW, drain .....	1	-	1			
16	16164-822-650	SCREW, drain .....	-	1	-			
		(16175-260-004, O-RING, 2.8mm is set in the 16164-701-004, 16164-822-650, SCREW, drain)						
17	16175-260-004	O-RING, 2.8 mm.....	1	1	1			
18	16187-822-004	SET-CLIP, float chamber.....	1	1	1			
19	16172-822-004	WASHER, float chamber .....	1	1	1			
20	16122-822-004	FLOAT-SET .....	1	1	1			
		(16126-823-004, PIN, float arm is set in the 16122-822-004, FLOAT-SET)						
21	16126-823-004	PIN, float arm .....	1	1	1			
22	16166-823-004	SCREW, plug .....	1	1	1			
23	16174-823-004	WASHER, fiber, 7.2 mm .....	1	1	1			
24	16138-823-004	HOLDER, pilot .....	1	1	1			
		(16177-822-004, O-RING, 3.5 mm is set in the 16138-823-004, HOLDER, pilot)						
25	16177-822-004	O-RING, 3.5 mm.....	1	1	1			
R 26	<u>99124-823-0400</u>	JET, pilot (# 40) S.T.D. <i>99124-823-0401</i>			1			
R 27	<u>99124-823-0451</u>	JET, pilot (# 45) <i>99124-823-0451</i>	(1)	(1)	(1)			
28	99114-823-0820	JET, main (# 82) .....	(1)	(1)	(1)			
29	99114-823-0850	JET, main (# 85) .....	(1)	(1)	(1)			
30	99114-823-0900	JET, main (# 90) .....	(1)	(1)	(1)			



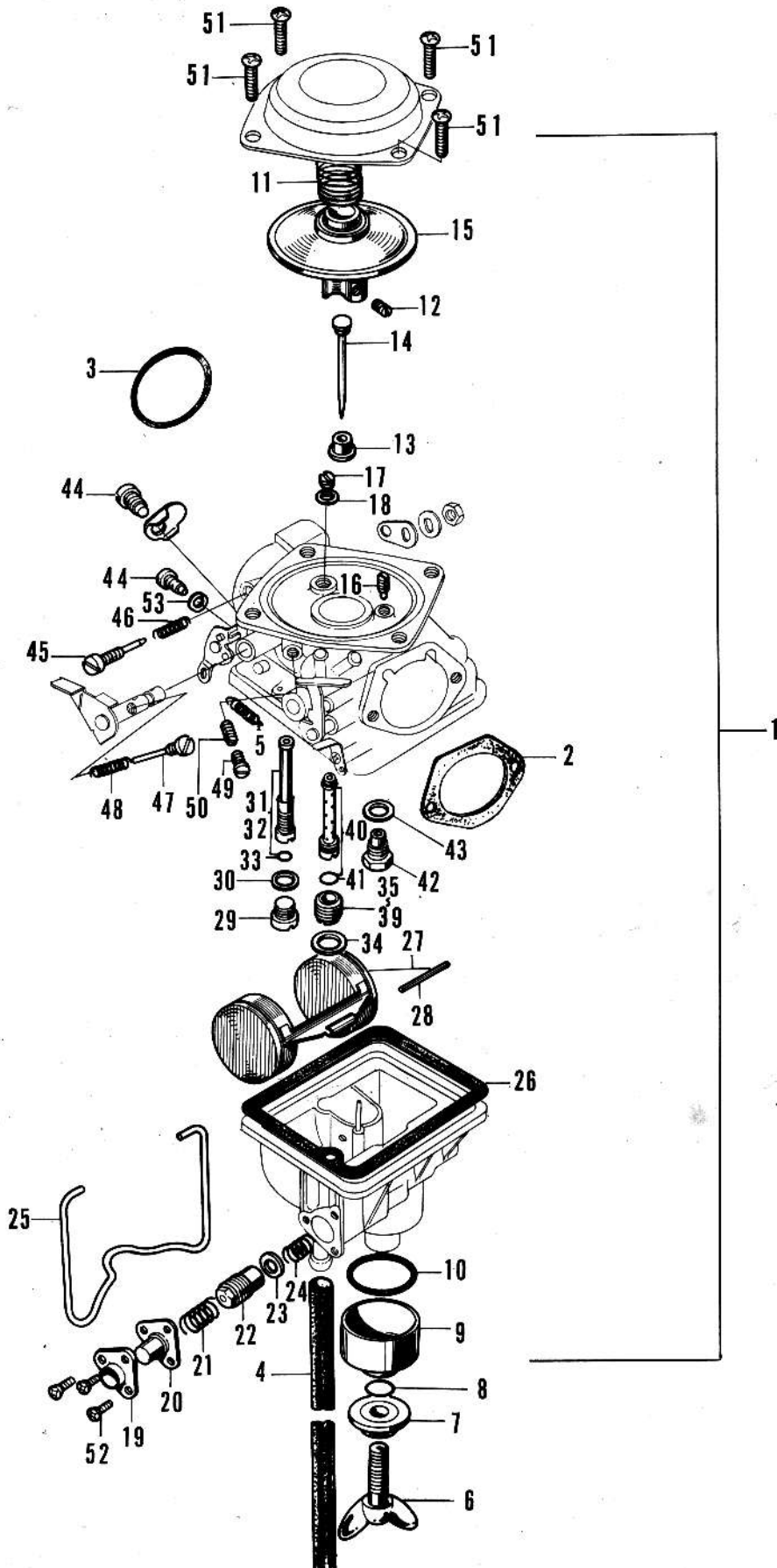
# G-3 (1) Carburetor



### G-3 (1) Carburetor

Ref. No.	Part No.	Description	Reqd. No.			No. Used on		News No.
			665 D	665 MD	665 ED	From	To	
31	99114-823-0920	JET, main (#92) S.T.D. ....	1	1	1			
32	99114-823-0950	JET, main (#95) .....	(1)	(1)	(1)			
33	99114-823-0980	JET, main (#98) .....	(1)	(1)	(1)			
34	99114-823-1000	JET, main (#100) .....	(1)	(1)	(1)			
35	16134-823-004	NOZZLE, main..... (16176-823-004, O-RING, 5.7 mm is set in the 16134-823-004, NOZZLE, main)	1	1	1			
36	16176-823-004	O-RING, 5.7 mm.....	1	1	1			
37	16125-823-004	SET, float valve .....	1	1	1			
38	16173-823-004	PACKING, fiber, 7.2 mm .....	1	1	1			
39	16167-823-004	SCREW, air jet plug .....	1	1	1			
40	16169-823-004	SCREW, pilot stop.....	1	1	1			
41	16163-805-004	SCREW, throttle stop.....	1	1	1			
42	16182-823-004	SPRING, throttle stop .....	1	1	1			
43	16161-809-004	SCREW, pilot .....	1	1	1			
44	16181-823-004	SPRING, air screw.....	1	1	1			
45	16173-260-004	O-RING, 29 mm .....	1	1	1			
46	93500-05012	SCREW, pan, 5×12 .....	4	4	4			
47	94111-05000	WASHER, spring, 5 mm .....	4	4	4			
48	16235-805-000	PIPE, overflow.....	1	1	1			
49	94001-06000	NUT, hex., 6 mm .....	2	2	2			

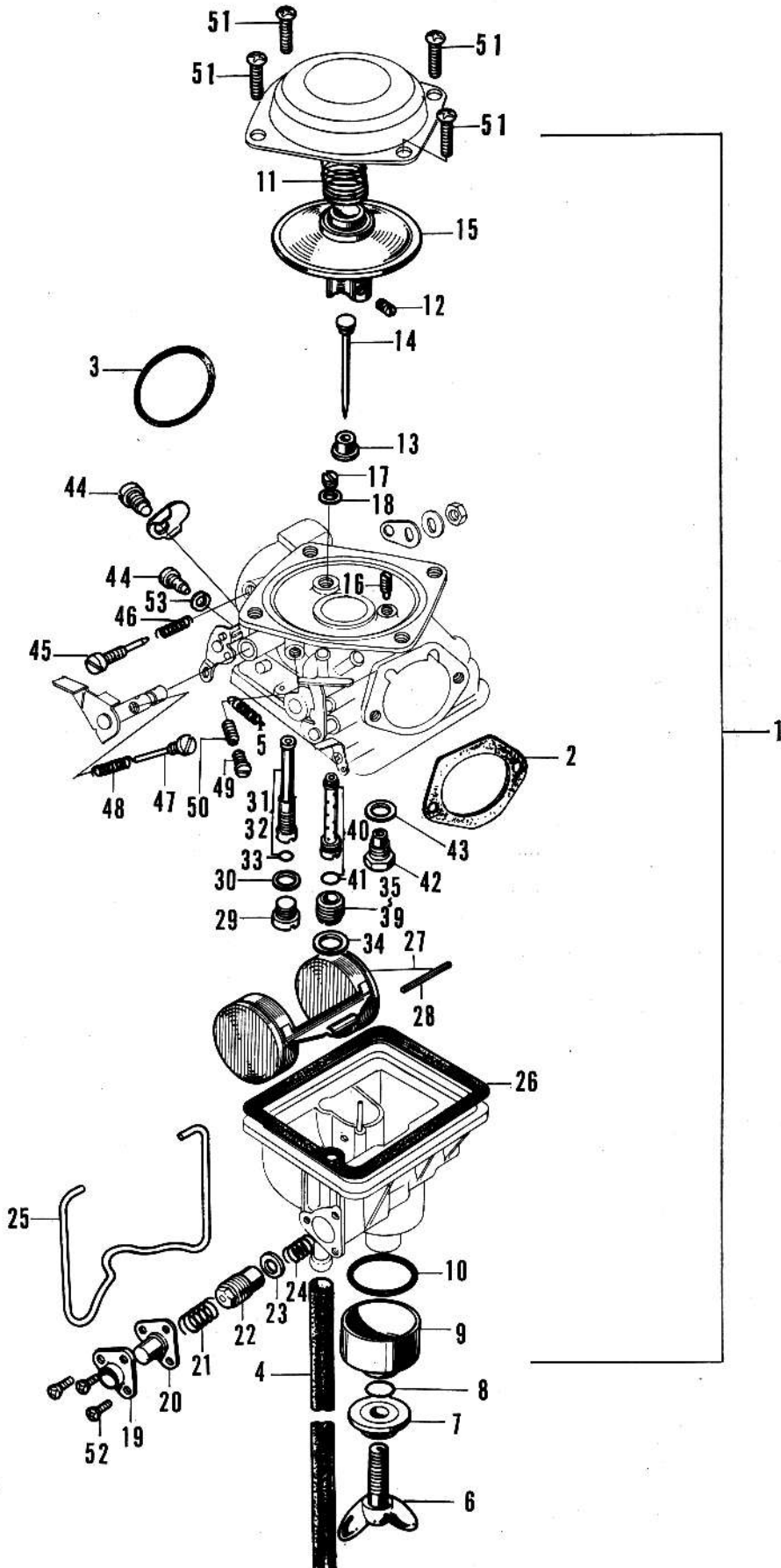
G-3 (2) Carburetor



### G-3 (2) Carburetor

Ref. No.	Part No.	Description	Reqd. No. 6165 0	No. Used on		News No.
				From	To	
1	16100-823-780	CARBURETOR ASSY. ....	1			
2	16269-822-000	PACKING, air cleaner .....	1			
3	16173-260-004	O-RING, 29 mm .....	1			
4	16235-805-000	PIPE overflow .....	1			
5	16183-843-004	SPRING, throttle return .....	1			
6	16188-707-004	BOLT, wing, 5 mm .....	1			
7	16193-843-780	COVER, seal .....	1			
8	16174-045-004	O-RING, 3.8 $\phi$ .....	1			
9	16190-707-004	CUP, fuel strainer .....	1			
10	16191-707-004	O-RING, 22 mm .....	1			
11	16186-823-004	SPRING, vacuum piston .....	1			
12	16165-843-004	SCREW, needle set .....	1			
13	16152-822-004	HOLDER, jet needle .....	1			
14	16161-843-004	NEEDLE, jet .....	1			
15	16141-843-004	SET, vacuum piston .....	1			
16	99134-823-1500	JET, air (# 150) S.T.D. ....	1			
17	16168-823-004	SCREW, plug .....	1			
18	16170-823-004	WASHER, fiber, 3 mm .....	1			
19	16111-822-004	COVER, cock .....	1			
20	16140-822-004	DIAPHRAGM .....	1			
21	16184-822-004	SPRING, diaphragm .....	1			
22	16129-823-004	SEAT-SET, valve .....	1			
23	16189-056-004	PACKING, fiber 6.2 mm .....	1			
24	16185-822-004	SPRING, coil .....	1			
25	16187-822-004	SET-CLIP, float chamber .....	1			
26	16172-822-004	WASHER, float chamber .....	1			
27	16122-822-004	FLOAT-SET ..... <i>2. 6043 822 004</i> .....	1			
28	16126-823-004	PIN, float arm .....	1			
29	16166-823-004	SCREW, plug .....	1			
30	16174-823-004	WASHER, fiber, 7.2 mm .....	1			

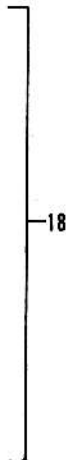
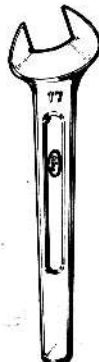
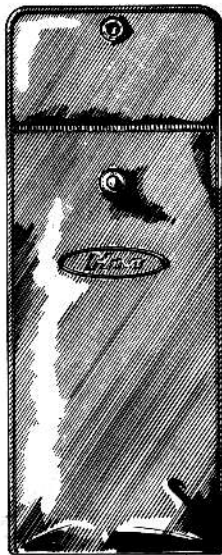
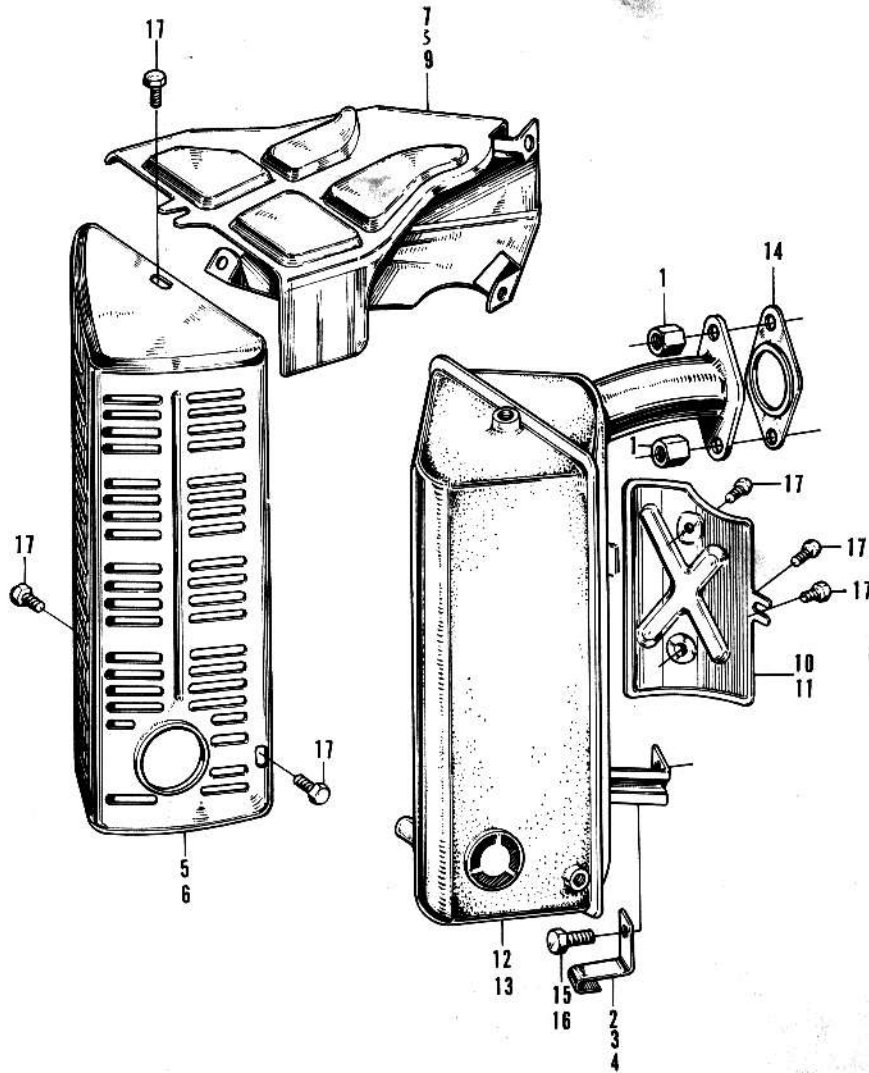
### G-3 (2) Carburetor



### G-3 (2) Carburetor

Ref. No.	Part No.	Description	Reqd. No. BT65 D	No. Used on		News No.
				From	To	
31	99124-843-0350	JET, pilot (# 35) S.T.D.....	1			
32	99124-843-0380	JET, pilot (# 38) .....	(1)			
33	16177-822-004	O-RING, 3.5 mm .....	1			
34	16192-707-004	O-RING, 8.8 mm .....	1			
35	99114-823-0900	JET, main (# 90).....	(1)			
36	99114-823-0920	JET, main (# 92).....	(1)			
37	99114-823-0950	JET, main (# 95) S.T.D. ....	1			
38	99114-823-0980	JET, main (# 98).....	(1)			
39	99114-823-1000	JET, main (# 100) .....	(1)			
40	16134-707-004	NOZZLE, main .....	1			
41	16176-822-004	O-RING, 5.7 mm .....	1			
42	16125-707-004	VALVE-SET, float.....	1			
43	16173-823-004	WASHER, fiber, 7.2 mm .....	1			
44	16162-843-004	SCREW, throttle shaft guide .....	2			
45	16161-841-004	SCREW, pilot .....	1			
46	16181-823-004	SPRING, air screw .....	1			
47	16163-805-004	SCREW, throttle stop .....	1			
48	16182-823-004	SPRING, throttle stop .....	1			
49	16167-843-004	SCREW, air jet plug.....	1			
50	99134-836-0900	JET, pilot air (# 90)S.T.D. ....	1			
51	93500-04006-0A	SCREW, pan, 4x6.....	4			
52	93600-03008-0A	SCREW, pan, 3x8.....	3			
53	94111-03000	WASHER, spring, 3 mm .....	1			

# G-4 Muffler · Tool

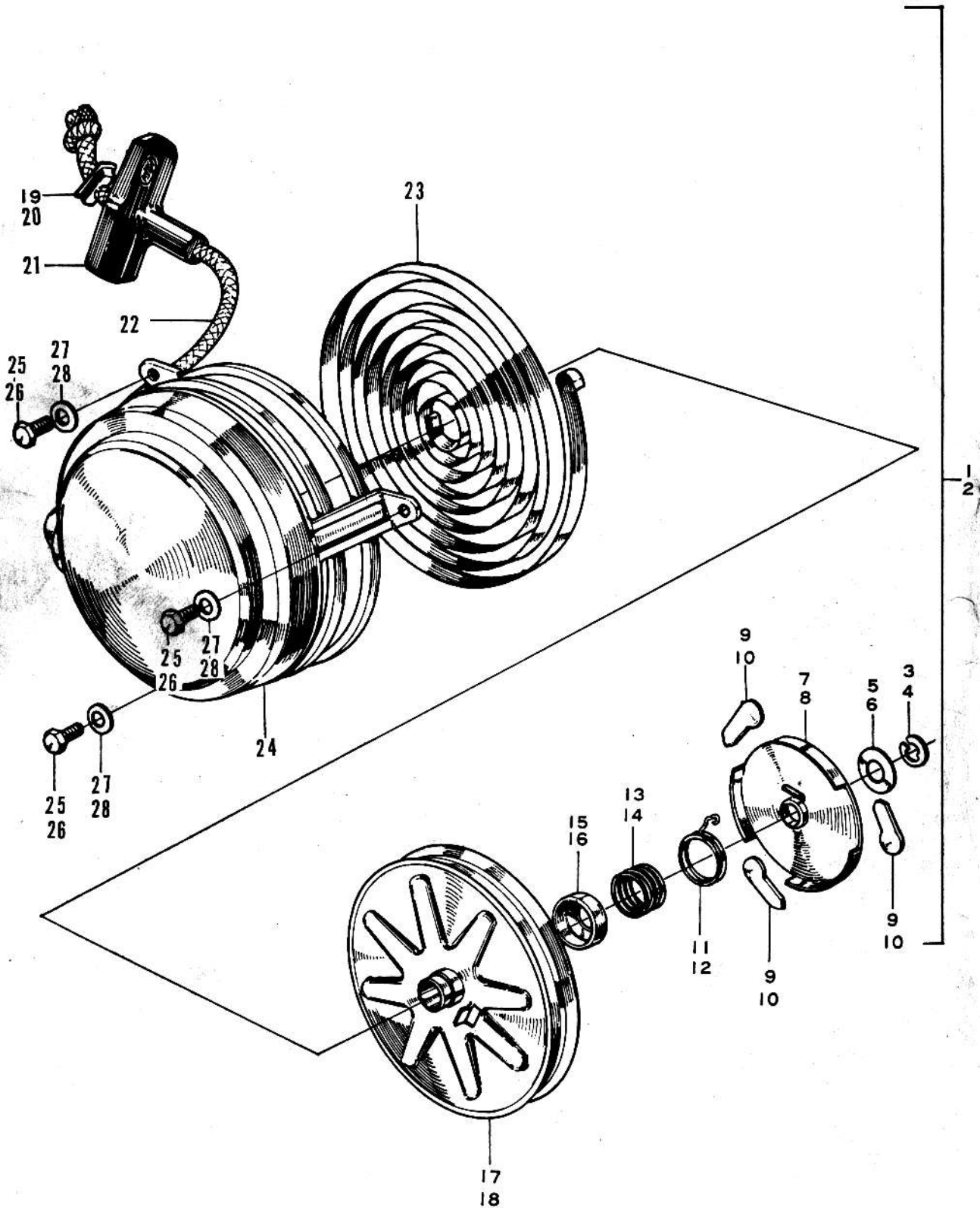


### G-4 Muffler · Tool

Ref. No.	Part No.	Description	Reqd. No.			No. Used on		News No.
			665 D	665 MD	665 EJ	6745 D	From	
1	90381-703-000	NUT, hex., 6 mm .....	2	2	2			
2	16591-809-000	HOLDER, throttle wire .....	1	-	1			
3	16591-714-000	HOLDER, throttle wire .....	-	-	-			
4	16591-810-000	HOLDER, throttle wire .....	-	1	-			
5	18361-823-000	PROTECTOR, muffler .....	1	1	1			
6	18361-822-020	PROTECTOR, muffler .....	-	-	-			
7	18365-823-000	COVER, exhaust pipe .....	1	-	1			
8	18365-714-000	COVER, exhaust pipe .....	-	-	-			
9	18365-823-650	COVER, exhaust pipe .....	-	1	-			
10	18363-822-010	PLATE, muffler separat .....	1	-	1			
11	18363-822-650	PLATE, muffler separat .....	-	1	-			
12	18300-823-000	MUFFLER .....	1	1	1			
13	18300-714-000	MUFFLER .....	-	-	-			
14	18351-809-000	PACKING, muffler .....	1	1	1			
15	92000-08018	BOLT, hex., 8×18 .....	1	-	1			
16	92000-0801802	BOLT, hex., 8×18 (Cr) .....	-	1	-			
17	92000-0600802	BOLT, hex., 6×8 (Cr) .....	6	6	6			1026737
		(Superseded by 93000-0600802)						
17-1	93000-0600802	BOLT, hex., 6×8 (Cr) .....	6	6	6			1026738
18	83010-805-000	TOOL ASSY. ....	1	1	1			
19	83151-805-000	BAG, tool .....	1	1	1			
20	89206-805-000	SPANNER, 17 mm.....	1	1	1			
21	89216-829-010	WRENCH, spark plug .....	1	1	1			
22	89219-805-000	HANDLE, box wrench.....	1	1	1			
23	99001-10140	SPANNER, double head, 10×14 .....	1	1	1			



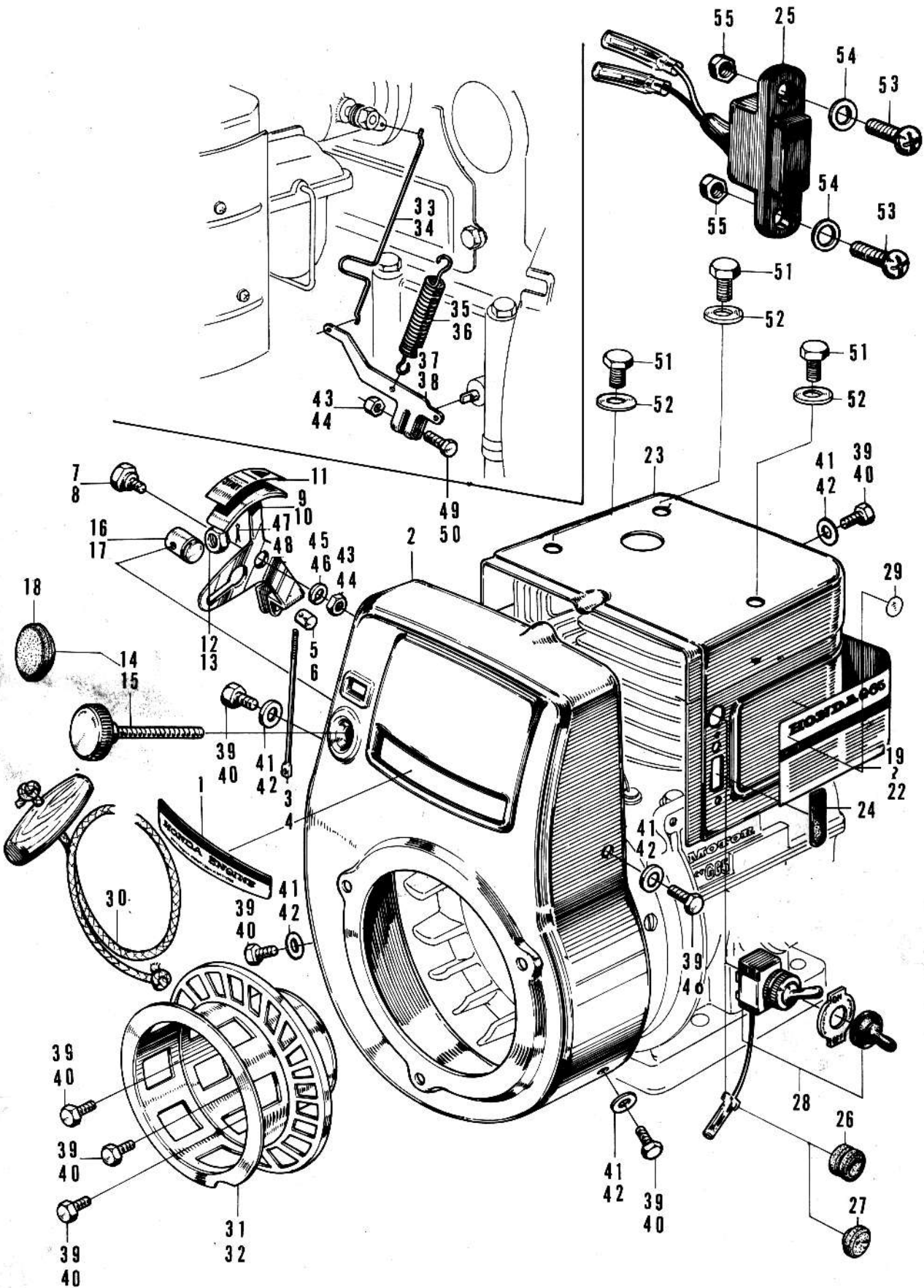
# G-5 Recoil Starter



## G-5 Recoil Starter

Ref. No.	Part No.	Description	Reqd. No.			GT65 D	No. Used on		News No.
			G65 D	G65 MD	G65 ED		From	To	
1	28400-823-810	STARTER ASSY., recoil.....	1	-	-	1			
2	28400-823-650	STARTER ASSY., recoil.....	-	1	1	-			
3	28423-809-810	E-RING.....	1	-	-	1			
4	28423-810-810	E-RING.....	-	1	1	-			
5	90482-809-810	WASHER B.....	1	-	-	1			
6	90482-810-810	WASHER B.....	-	1	1	-		1004059	
6-1	90482-822-650	WASHER B.....	-	1	1	-	1004060		
7	28445-809-810	PLATE, friction .....	1	-	-	1			
8	28445-810-810	PLATE friction .....	-	1	1	-		1004059	
8-1	28445-822-650	PLATE friction .....	-	1	1	-	1004060		
9	28441-809-810	RATCHET, starter.....	3	-	-	3			1004059
9-1	28441-822-810	RATCHET, starter.....	3	-	-	3	1004060		
10	28441-810-810	RATCHET, starter.....	-	3	3	-			1004059
10-1	28441-822-650	RATCHET, starter.....	-	3	3	-	1004060		
11	28455-822-810	SPRING, set.....	1	-	-	1			
12	28445-822-650	SPRING, set.....	-	1	1	-			
13	28446-809-810	SPRING, friction.....	1	-	-	1			
14	28446-810-810	SPRING, friction.....	-	1	1	-			
15	90481-809-810	WASHER A .....	1	-	-	1			
16	90481-810-810	WASHER A .....	-	1	1	-			1004059
16-1	90481-822-650	WASHER A .....	-	1	1	-	1004060		
17	28420-809-810	PULLEY, recoil starter.....	1	-	-	1			1004059
17-1	28420-822-810	PULLEY, recoil starter.....	1	-	-	1	1004060		
18	28420-809-820	PULLEY, recoil starter.....	-	1	1	-			1004059
18-1	28420-822-650	PULLEY, recoil starter.....	-	1	1	-	1004060		
19	28465-809-810	STOPPER, rope .....	1	-	-	1			
20	28465-822-650	STOPPER, rope .....	-	1	1	-			
21	28461-805-810	KNOB, starter.....	1	1	1	1			
22	28471-809-810	ROPE, recoil starter .....	1	1	1	1			
23	28451-809-810	SPRING, starter return .....	1	1	1	1			
24	28410-809-810	CASE, starter .....	1	1	1	1			1004059
24-1	28410-823-810	CASE, starter .....	1	1	1	1	1004060		
25	92000-06012	BOLT, hex., 6×12.....	3	-	-	3			
26	92000-0601202	BOLT, hex., 6×12 (Cr) .....	-	3	3	-			
27	94101-06000	WASHER, plain, 6 mm.....	3	-	-	3			
28	94101-06200	WASHER, plain, 6 mm (Cr) .....	-	3	3	-			

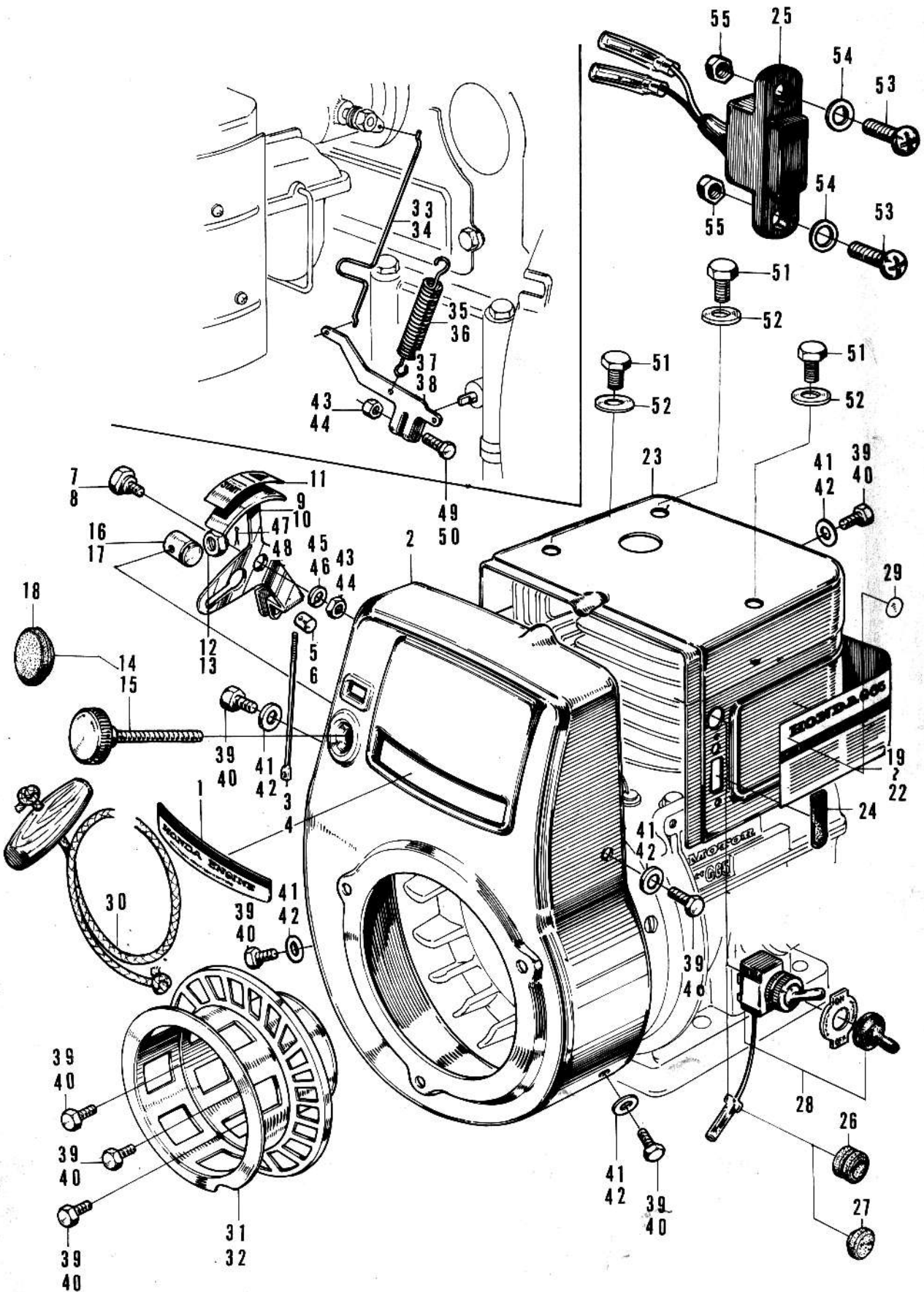
# G-6 Cover



### G-6 Cover

Ref. No.	Part No.	Description	Reqd. No.					No. Used on		News No.
			665 D	665 MD	665 ED	665 0	665 1	From	To	
1	87101-805-000	MAR, top .....	1	1	1					
2	19600-823-000	COVER, fan.....	1	1	1				1013011	
2-1	19600-823-010	COVER, fan.....	1	1	1			1013012		
3	16575-809-020	ROD, adjusting .....	1	-	1					
4	16575-810-010	ROD, adjusting .....	-	1	-					
5	16579-809-000	JOINT, adjusting rod .....	1	-	1					
6	16579-810-000	JOINT, adjusting rod .....	-	1	-					
7	16586-809-010	PIVOT, adjusting arm .....	1	-	1					
8	16586-810-000	PIVOT, adjusting arm .....	-	1	-					
9	16570-809-000	ARM, adjuster.....	1	-	1					
10	16570-810-010	ARM, adjuster.....	-	1	-					
11	16581-823-000	PLATE, speed indicator .....	1	1	1					
12	90284-809-000	NUT, special, 6 mm .....	1	-	1					
13	90284-810-000	NUT, special, 6 mm .....	-	1	-					
14	16560-810-030	KNOB, adjuster .....	1	-	1					
15	16560-810-000	KNOB, adjuster .....	-	1	-					
16	16587-809-010	NUT, adjuster arm shifting.....	1	-	1					
17	16587-810-000	NUT, adjuster arm shifting.....	-	1	-					
18	19602-823-000	GROMMET, fan cover.....	-	-	-					
19	87521-823-660	PLATE, description .....	1	1	-				1013011	
19-1	87521-823-661	PLATE, description .....	1	1	-			1013012		
20	87521-829-600	PLATE, descriptiou .....	-	-	1					
21	87521-823-740	PLATE, description .....	-	-	-					
22	87521-823-790	PLATE, description .....	-	-	-					
23	19611-823-000C	COVER, side .....	1	1	1					
24	19901-807-000	DEFENDER, side cover .....	1	1	1					
25	32300-805-820	CONSENT ASSY.....	-	-	-					
26	36151-805-641	GROMMET, A. cord .....	-	-	1					
27	36101-843-780	GROMMET, side cover .....	-	-	-					
28	36100-811-000	SWITCH, engine stop .....	1	1	-					
29	87524-822-000	MARK, marine type .....	-	1	-					
30	28470-822-000	ROPE, starter .....	1	1	1					

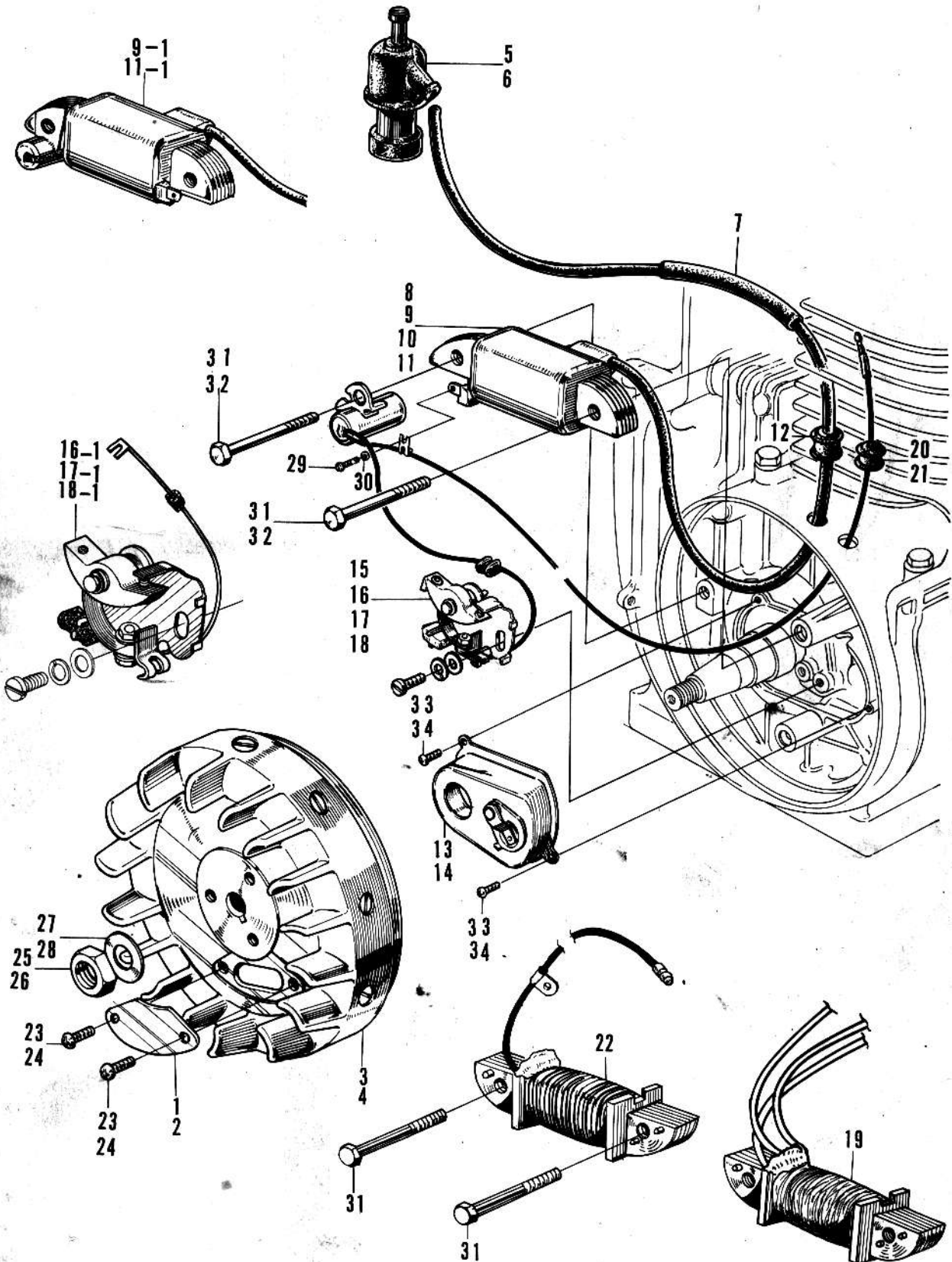
# G-6 Cover



### G-6 Cover

Ref. No.	Part No.	Description	Reqd. No.			6165 D	No. Used on		News No.
			665 D	665 MD	665 ED		From	To	
31	28430-823-000	PULLEY, starter.....	1	-	1	-		1013031	
31-1	28430-823-010	PULLEY, starter.....	1	-	1	1	1013012		
32	28430-823-650	PULLEY, starter.....	-	1	-	-		1013011	
32-1	28430-823-651	PULLEY, starter.....	-	1	-	-	1013012		
33	16545-823-000	ROD, governor .....	1	-	1	1			
34	16545-823-650	ROD, governor .....	-	1	-	-			
35	<span style="border: 1px solid black; padding: 2px;">16551-803-000</span>	SPRING, governor... <i>16551-805-000</i>	1	-	1	1			
36	16551-806-000	SPRING, governor.....	-	1	-	-			
37	16541-809-020	ARM, governor .....	1	-	1	1			
38	16541-810-000	ARM, governor .....	-	1	-	-			
39	92000-06012	BOLT, hex., 6x12.....	8	-	8	8			
40	92000-0601202	BOLT, hex., 6x12 (Cr) .....	-	8	-	-			
41	94101-06000	WASHER, plain, 6 mm.....	5	-	5	5			
42	94101-06200	WASHER, plain, 6 mm (Cr) .....	-	5	-	-			
43	94001-06000	NUT, hex., 6 mm .....	2	-	2	2			
44	94001-06020	NUT, hex., 6 mm (Cr) .....	-	2	-	-			
45	94111-06000	WASHER, spring, 6 mm .....	1	-	1	1			
46	94111-06020	WASHER, spring, 6 mm (Cr).....	-	1	-	-			
47	94201-16120	PIN, cotter, 1.6 mm .....	1	-	1	1			
48	90721-810-000	PIN, cotter, 1.6 mm .....	-	1	-	-			
49	92000-06016	BOLT, hex., 6x16.....	1	-	1	1			
50	92000-0601602	BOLT, hex., 6x16 (Cr).....	-	1	-	-			
51	92000-08016	BOLT, hex., 8x16.....	-	-	3	-			
52	94101-08000	WASHER, plain, 8 mm.....	-	-	3	-			
53	93500-05010	SCREW, pan, 5x10 .....	-	-	-	-			
54	94101-05000	WASHER, plain, 5 mm.....	-	-	-	-			
55	94001-05000	NUT, hex., 5 mm .....	-	-	-	-			

# G-7 Flywheel · High Tension Coil

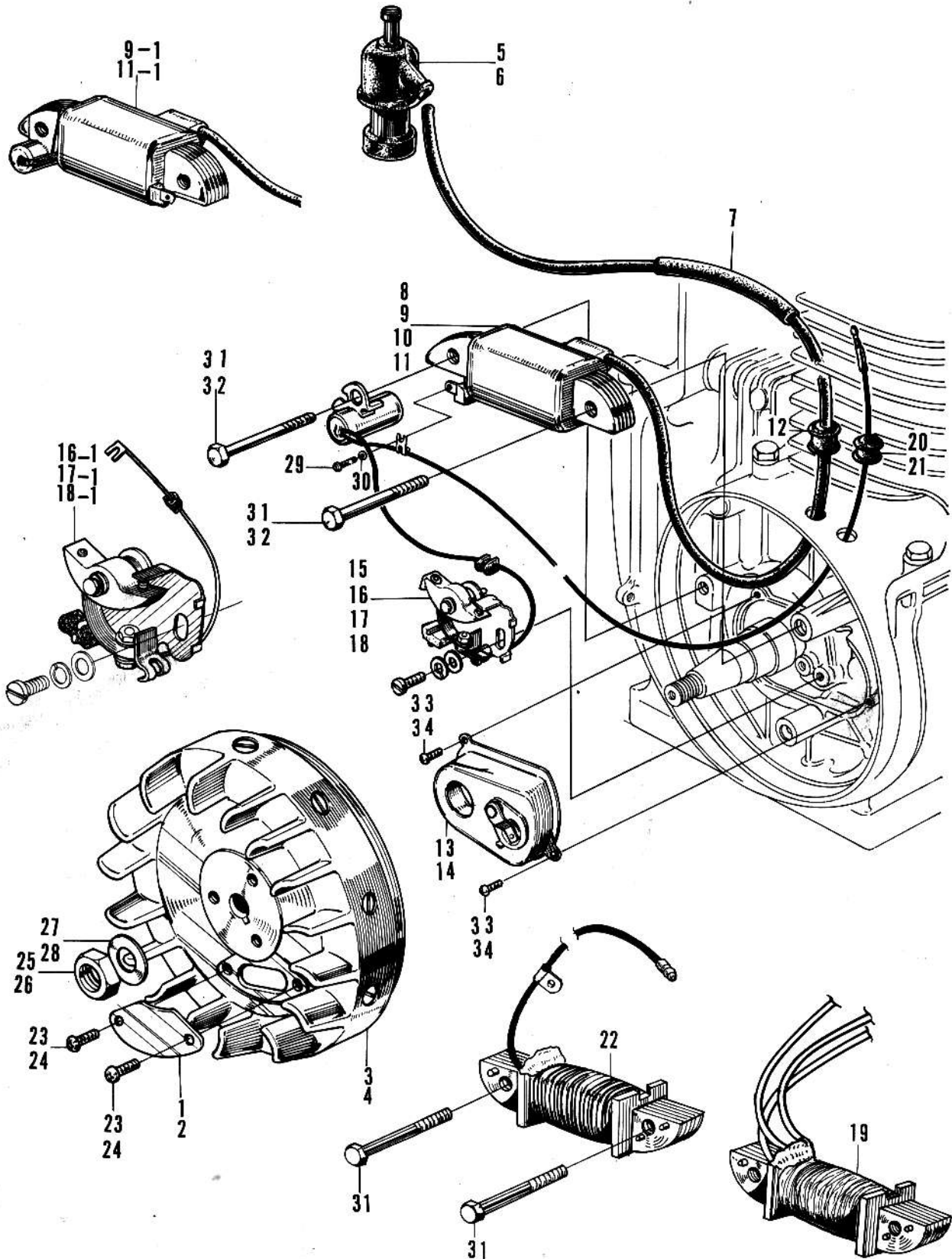


### G-7 Flywheel · High Tension Coll

Ref. No.	Part No.	Description	Reqd. No.			6T65 D	No. Used on		News No.
			665 D	665 MD	665 EO		From	To	
1	31125-822-000	COVER, flywheel wiudow .....	1	-	1				
2	31125-822-650	COVER, flywheel window .....	-	1	-				
3	31121-823-004	MAGNETO, flywheel (NIPPONDENSO)..	1	-	1			1020104	
4	31121-823-650	MAGNETO, flywheel (KOKUSAN).....	-	1	-				
5	30600-822-000	TERMINAL ASSY., high tension.....	1	1	-			1	
6	30600-815-000	TERMINAL ASSY., high tension..... (Superseded by 30600-815-020)	-	-	1			1013881	
6-1	30600-815-020	TERMINAL ASSY., high tension.....	-	-	1			1013882	
7	30565-822-000	TUBE, high tension rubber .....	1	1	1			1	
8	30560-829-000	COIL, high tension .....	-	-	1			1013881	
		(Superseded by 30560-823-000)							
9	30560-823-000	COIL, high tension (KOKUSAN).....	-	-	1			1013882~1020104	
			1	-	-			1020104	
9-1	30560-823-010	COIL, high tension (KOKUSAN).....	1	-	-			1020105	
10	30560-823-004	COIL, high tension (DENSO) .....	-	-	1			1013882~1020104	
			1	-	-			1020104	
11	30560-823-650	COIL, high tension .....	-	1	-			1020104	
11-1	30560-823-651	COIL, high tension .....	-	1	-			1020105	
12	32951-705-000	GROMMET, cord .....	1	1	1			1	
13	30210-823-000	COVER, point.....	1	-	1			1020104	
13-1	30210-823-010	COVER, point.....	1	-	1			1020105	
14	30210-823-650	COVER, point.....	-	1	-			1020104	
14-1	30210-823-651	COVER, point.....	-	1	-			1020105	
15	30280-823-004	CONDENSER ASSY., breaker .....	1	-	-			1020104	
16	30280-823-000	CONDENSER ASSY., breaker .....	1	-	-			1020104	
16-1	30280-823-010	BREAKER ASSY.....	1	-	-			1020105	
17	30280-829-004	CONDENSER ASSY., breaker .....	-	-	1			1020104	
17-1	30280-829-010	BREAKER ASSY.....	-	-	1			1020105	
18	30280-823-650	CONDENSER ASSY., breaker .....	-	1	-			1020104	
18-1	30280-823-651	BREAKER ASSY.....	-	1	-			1020105	
19	31521-829-158	COIL ASSY., exciter.....	-	-	1			1020104	
19-1	31521-840-158	COIL ASSY., exciter.....	-	-	1			1020105	
20	32951-805-020	GROMMET, cord .....	1	1	-			1	



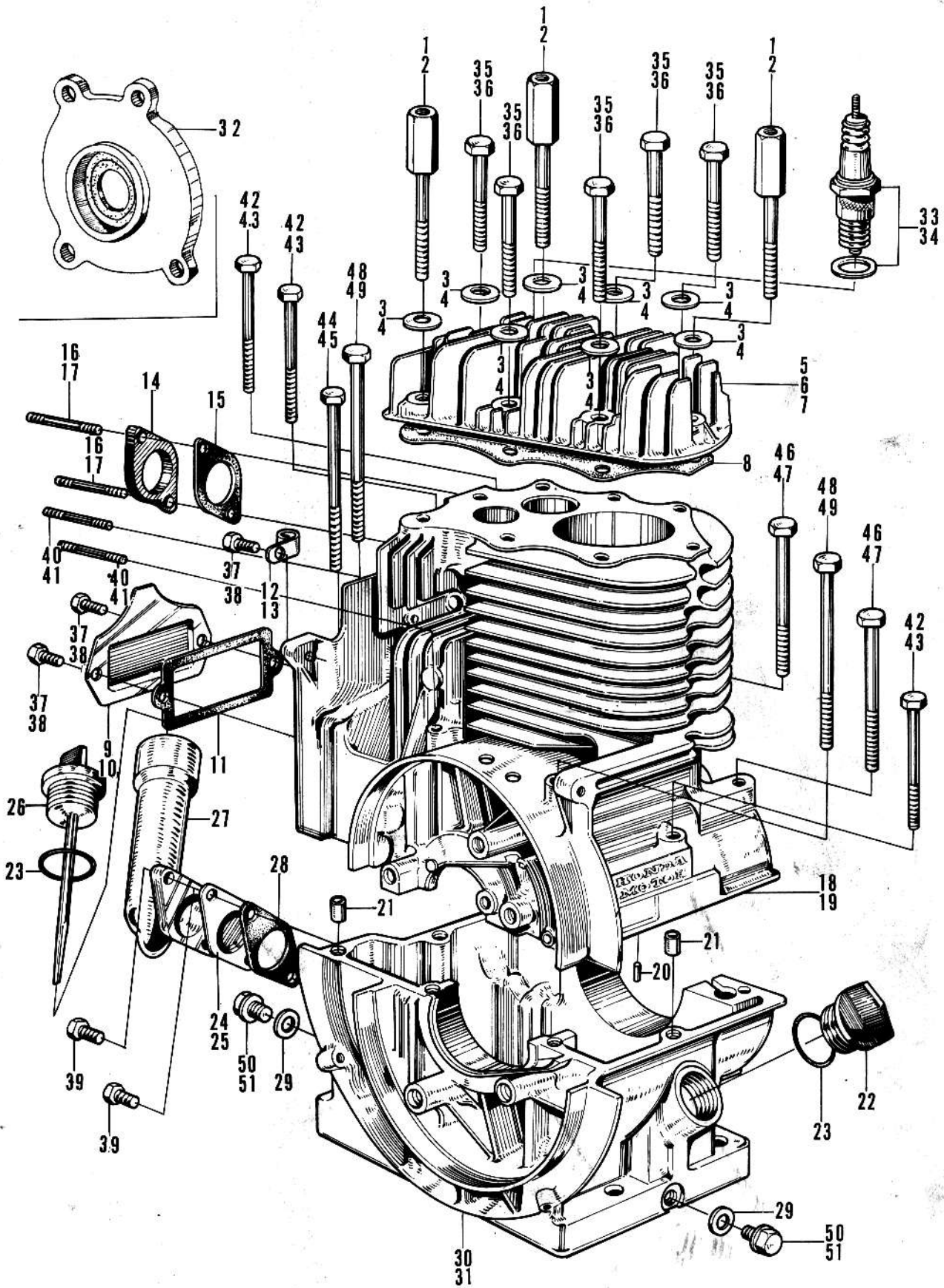
# G-7 Flywheel · High Tension Coil



## G-7 Flywheel · High Tension Coil

Ref. No.	Part No.	Description	Reqd. No.			No. Used on		News No.
			665 D	665 MD	665 ED	665 D	From To	
21	36152-805-640	GROMMET B. cord .....	-	-	1	-		
22	31511-823-810	COIL, lamp, 6 V.....	-	-	-	-		
23	93500-05010	SCREW, pan, 5×10 .....	2	-	2	2		
24	93500-0501002	SCREW, pan, 5×10 (Cr).....	-	2	-	-		
25	94002-14000	NUT, hex., 14 mm .....	1	-	1	1		
26	94002-14020	NUT, hex., 14 mm (Cr) .....	-	1	-	-		
27	94101-14000	WASHER, plain, 14 mm .....	1	-	1	1		
28	94101-14200	WASHER, plain, 14 mm (Cr).....	-	1	-	-		
29	93500-03006	SCREW, pan, 3×6 .....	1	1	1	1		
30	94111-03000	WASHER, spring, 3 mm .....	1	1	1	1		
31	92000-06028	BOLT, hex., 6×28.....	2	-	4	2		
32	92000-0602802	BOLT, hex., 6×28 (Cr) .....	-	2	-	-		
33	93500-05006	SCREW, pan, 5×6.....	2	-	2	2		
34	93500-0500602	SCREW, pan, 5×6 (Cr) .....	-	2	-	-		

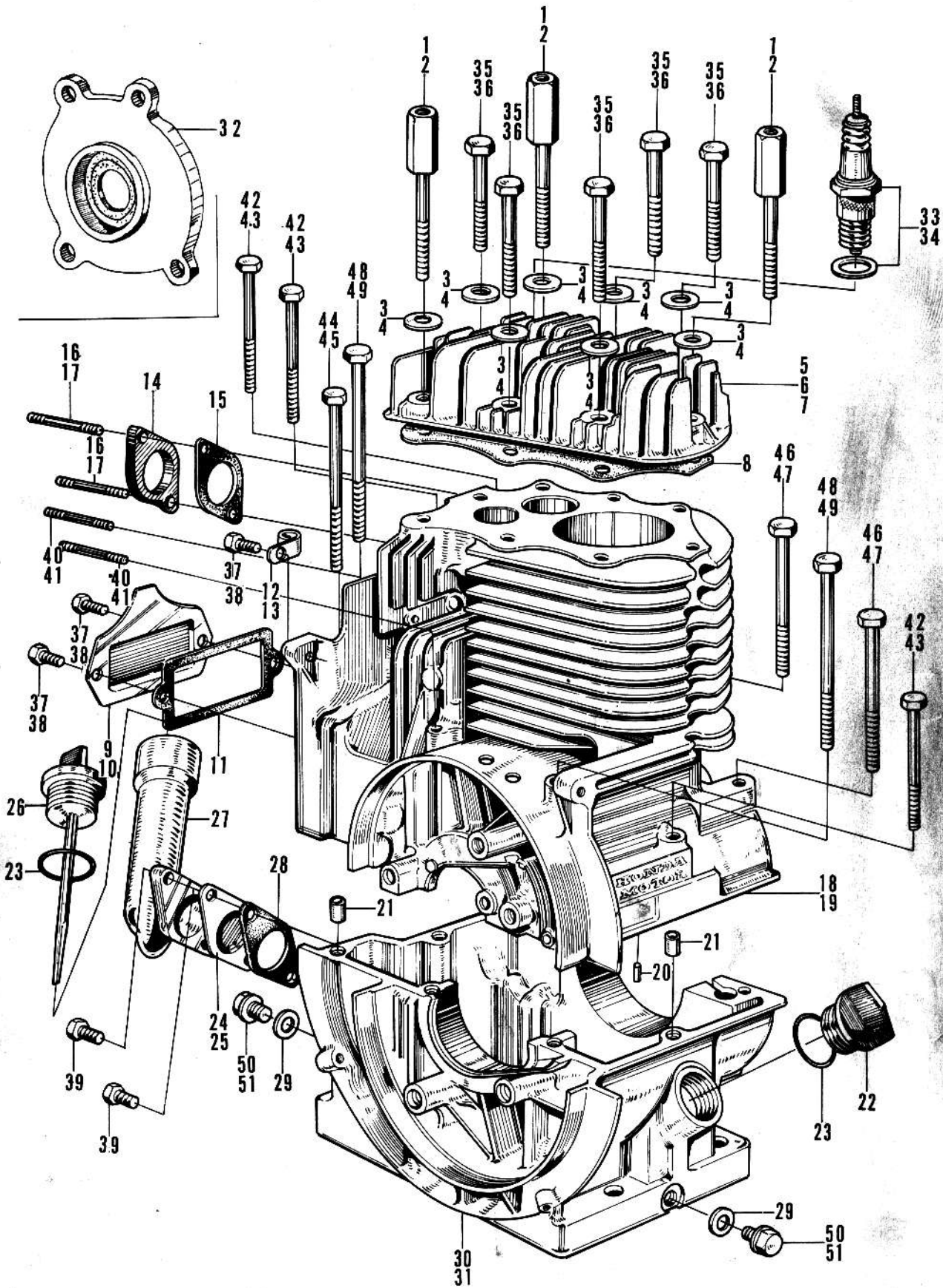
# G-8 Cylinder Barrel · Oil Pan



## G-8 Cylinder Barrel · Oil Pan

Ref. No.	Part No.	Description	Reqd. No.					No. Used on		News No.
			665 D	665 MD	665 ED	665	665	665	From	
1	90001-823-000	BOLT, clamp, cylinder head .....	3	-	3			3		
2	90001-823-650	BOLT, clamp, cylinder head .....	-	3	-			-		
3	90402-822-000	WASHER, head, 8 mm.....	8	-	8			8		
4	90402-822-650	WASHER, head, 8 mm.....	-	8	-			-		
5	12201-823-000	HEAD, cylinder .....	1	-	1			-		
6	12201-823-650	HEAD, cylinder .....	-	1	-			-		
7	12201-823-780	HEAD, cylinder .....	-	-	-			1		
8	12251-823-000	GASKET, cylinder head .....	1	1	1			1		
9	12361-823-000	COVER, tappet .....	1	-	1			-		1014895
9-1	12361-823-010	COVER, tappet .....	1	-	1			1		1014896
10	12361-823-650	COVER, tappet .....	-	1	-			-		1014895
10-1	12361-823-651	COVER, tappet .....	-	1	-			-		1014896
11	15719-809-020	PACKING, breather case.....	1	1	1			-		1014895
11-1	15719-823-000	PACKING, breather case.....	1	1	1			1		1014896
12	16237-709-000	STEY, over flow pipe .....	1	-	1			-		1014895
13	16237-822-650	STEY, over flow pipe .....	-	1	-			-		1014895
14	16211-823-303	INSULATER, carbureter.....	1	1	1			1		
15	16229-823-000	PACKING, carbureter insulater.....	1	1	1			1		
16	90061-822-600	BOLT, stud, 8×45 .....	2	-	2			2		
17	90061-822-651	BOLT, stud, 8×45 (Cr) .....	-	2	-			-		
18	12100-823-030	BARREL, cylinder .....	1	-	1			-		1014895
18-1	12100-823-353	BARREL, cylinder .....	1	-	1			1		1014896
		(Superseded by 12100-823-060)								
18-2	12100-823-060	BARREL, cylinder <i>12100-823-070</i> .....	1	-	1			1		
19	12100-823-650	BARREL, cylinder .....	-	1	-			-		1014895
19-1	12100-823-652	BARREL, cylinder .....	-	1	-			-		1014896
		(Superseded by 12100-823-653)								
19-2	12100-823-653	BARREL, cylinder .....	-	1	-			-		
20	90705-259-020	PIN, knock, 7×12 .....	1	1	1			1		
21	90701-200-000	PIN, knock, 8.5×11 .....	2	2	2			2		
22	15611-805-010	CAP, oil .....	1	1	1			1		
23	91301-805-000	O-RIG, 26×2.7 .....	1	1	2			1		
24	11210-822-000	COVER, oil pan hole .....	1	-	-			1		
25	11210-822-650	COVER, oil pan hole .....	-	1	-			-		

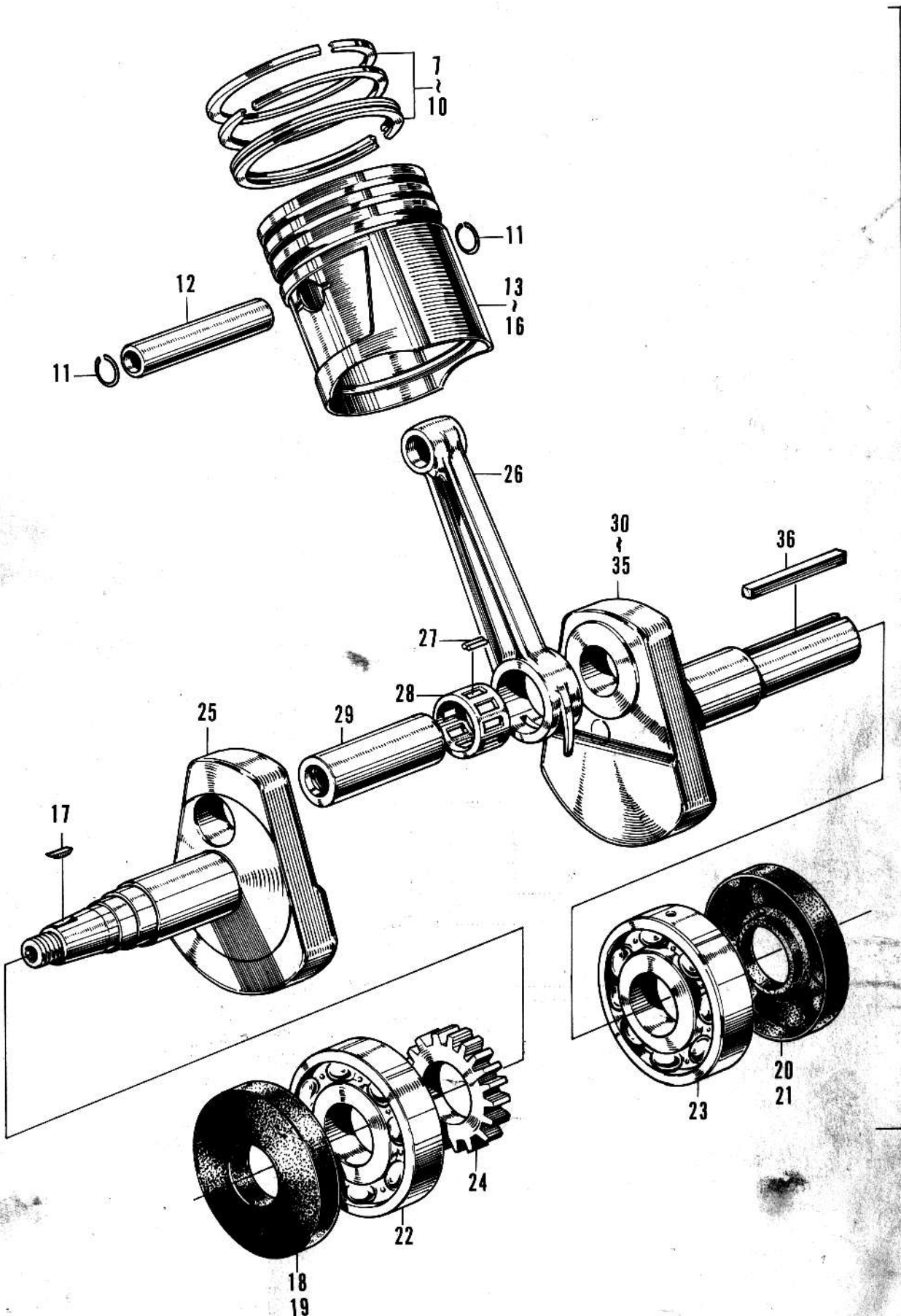
# G-8 Cylinder Barrel · Oil Pan



## G-8 Cylinder Barrel · Oil Pan

Ref. No.	Part No.	Description	Reqd. No.			No. Used on		News No.
			G65 D	G65 MD	G65 ED	From	To	
26	15620-815-000	CAP, oil .....	-	-	1	-		
27	<span style="border: 1px solid black;">11220-815-000</span>	PIPE, oil .....	-	-	1	-		
28	11211-822-000	PACKING, oil pan hole cover .....	1	1	1	1		
29	90407-259-000	PACKING, drain cock .....	2	2	2	2		
30	11200-823-010	OIL-PAN .....	1	-	1	1		
31	11200-823-650	OIL-PAN .....	-	1	-	-		
32	11951-809-000	BASE, attachment guide .....	-	-	-	-		
		(Special part for G65P, G65Q, G65U, G65V, GL65VD, GT65P, GT65Q, GT65U and GT65V)						
33	98076-57640	PLUG, sparking (B-7H) .....	1	1	1	-		
		(Superseded by 98016-56740)						
33-1	98076-56740	PLUG, sparking (B-6H) .....	1	1	1	-		
34	98076-54710	PLUG, sparking (B-4H) .....	-	-	-	1		
35	92025-08045	BOLT, hex., 8×45 .....	5	-	5	5		
36	92025-0804502	BOLT, hex., 8×45 (Cr) .....	-	5	-	-		
37	92000-06012	BOLT, hex., 6×12 .....	5	-	3	-		1014895
			4	-	2	5		1014896
38	92000-0601202	BOLT, hex., 6×12 (Cr) .....	-	5	-	-		1014895
			-	4	-	4		1014896
39	92000-06016	BOLT, hex., 6×16 .....	-	-	2	-		
40	92700-06032	BOLT, stud, 6×32 .....	2	-	2	2		
41	92700-0603202	BOLT, stud, 6×32 (Cr) .....	-	2	-	-		
42	92000-06063	BOLT, hex., 6×63 .....	3	-	3	3		
43	92000-0606302	BOLT, hex., 6×63 (Cr) .....	-	3	-	-		
44	92000-06090	BOLT, hex., 6×90 .....	1	-	1	1		
45	92000-0609002	BOLT, hex., 6×90 (Cr) .....	-	1	-	-		
46	92000-08080	BOLT, hex., 8×80 .....	2	-	2	2		
47	92000-0808002	BOLT, hex., 8×80 (Cr) .....	-	2	-	-		
48	92000-08100	BOLT, hex., 8×100 .....	2	-	2	2		
49	92000-0810002	BOLT, hex., 8×100 (Cr) .....	-	2	-	-		
50	92800-12000	BOLT, drain plug, 12 mm .....	2	-	2	2		
R 51	<span style="border: 1px solid black;">90015-822-650</span>	BOLT, drain plug, 12 mm <i>92800-12000</i> .....	-	2	-	-		

# G-9 Crankshaft



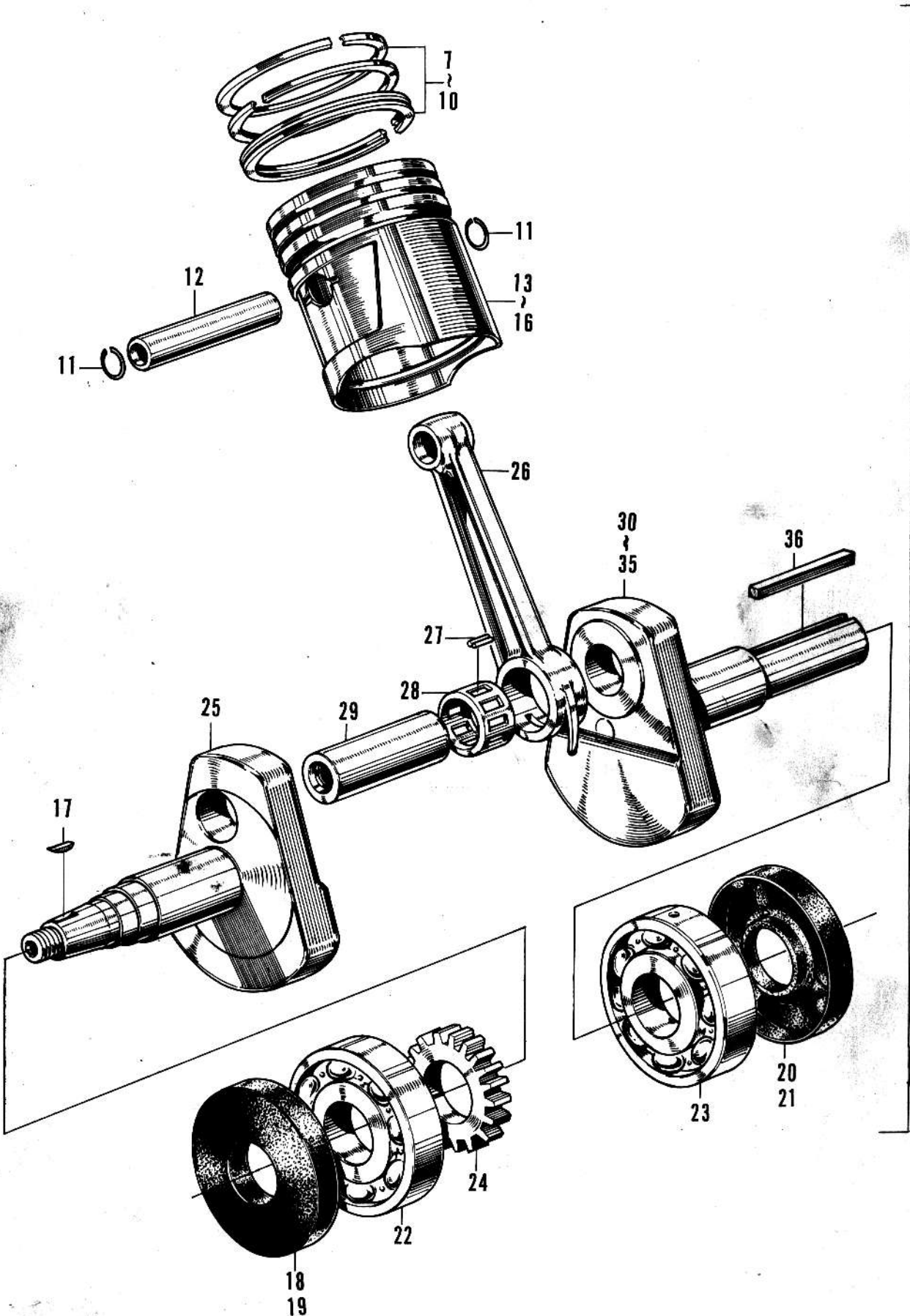
1  
6

## G-9 Crankshaft

Ref. No.	Part No.	Description	Reqd. No.			No. Used on		News No.
			665 D	665 M	665 ED	From	To	
1	13000-823-010	CRANKSHAFT .....	1	1	1			1
2	13000-823-630	CRANKSHAFT ..... (Special part for G65HD-Winn 1/8 redaction)	-	-	-			-
3	13000-823-690	CRANKSHAFT ..... (Special part for G65P and GT65P-type A-with thread)	-	-	-			-
4	13000-823-700	CRANKSHAFT ..... (Special part for G65Q and GT65Q-type B-with inch flat key)	-	-	-			-
5	13000-823-710	CRANKSHAFT ..... (Special part for G65U and GT65U-type C-with staged thread)	-	-	-			-
6	13000-823-720	CRANKSHAFT ..... (Special part for G65V and GT65V-type D-with taper)	-	-	-			-
7	13011-809-010	RING-SET, piston (S.T.D.).....	1	1	1			1
8	13021-809-010	RING-SET, piston (0.25) .....	(1)	(1)	(1)			(1)
9	13031-809-010	RING-SET, piston (0.50) .....	(1)	(1)	(1)			(1)
10	13041-809-010	RING-SET, piston (0.75) .....	(1)	(1)	(1)			(1)
11	13115-809-010	CLIP, piston pin.....	2	2	2			2
12	13111-809-010	PIN, piston .....	1	1	1			1
13	13101-823-000	PISTON (S.T.D.) .....	1	1	1			1
14	13102-823-000	PISTON (0.25).....	(1)	(1)	(1)			(1)
15	13103-823-000	PISTON (0.50).....	(1)	(1)	(1)			(1)
16	13104-823-000	PISTON (0.75).....	(1)	(1)	(1)			(1)
17	94401-25180	KEY, woodruff, 4 mm .....	1	1	1			1
18	91201-809-003	SEAL, oil, PJ30759 (ARAI) .....	1	1	1			1
19	91201-809-015	SEAL, oil, PJ30759 (N.O.K.) .....	1	1	1			1
20	91202-809-003	SEAL, oil, PJ30779 (ARAI) .....	1	1	1			1
21	91202-809-005	SEAL, oil, PJ30779 (N.O.K.) .....	1	1	1			1
22	91001-809-000	BEARING, ball, 6306S .....	1	1	1			1
23	91002-809-000	BEARING, ball, 6306 .....	1	1	1			1
24	14311-823-000	GEAR, timing .....	1	1	1			1
25	13311-823-010	CRANKSHAFT, righ .....	1	1	1			1



# G-9 Crankshaft

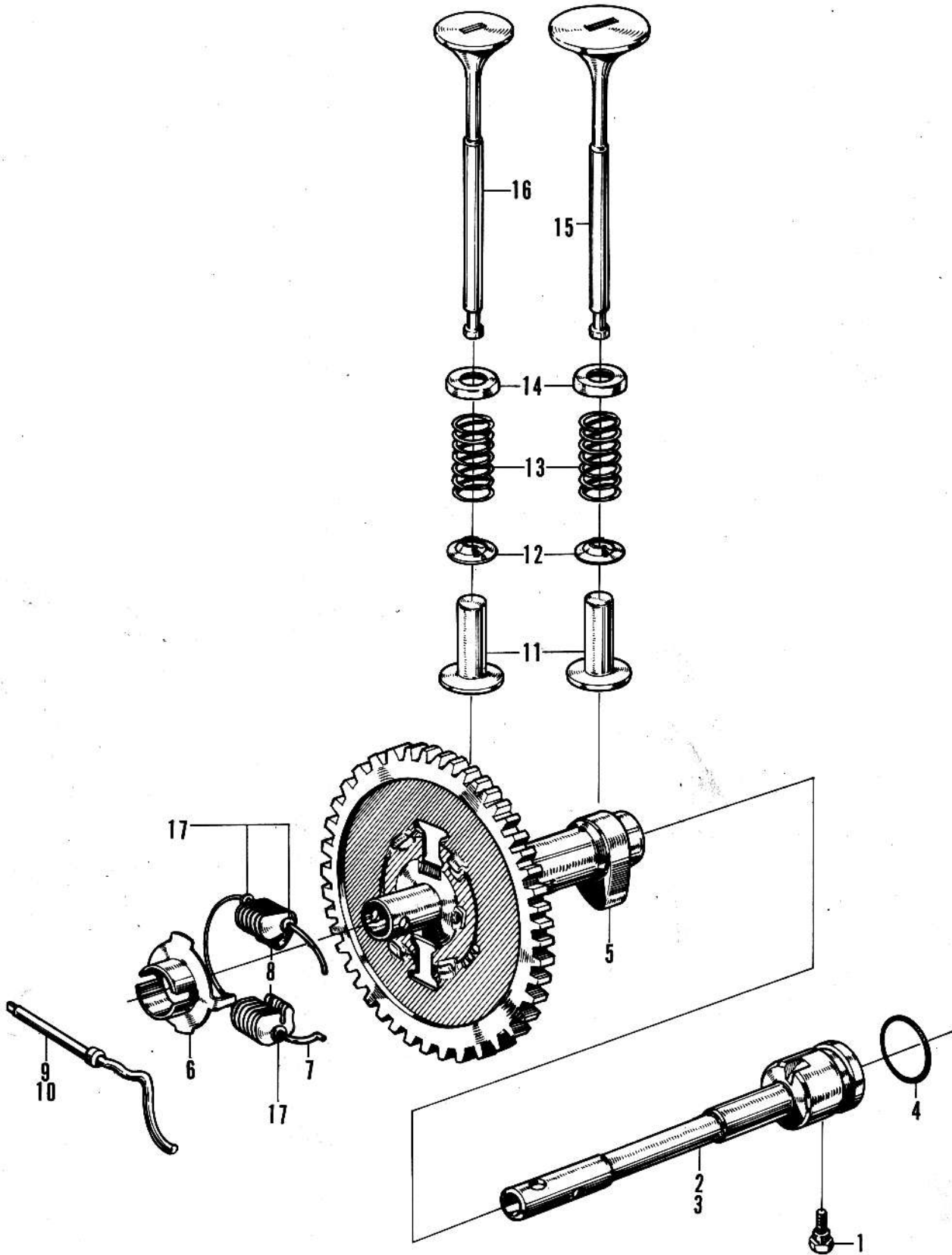


1  
6

## G-9 Crankshaft

Ref. No.	Part No.	Description	Reqd. No.			8T65 D	No. Used on		News No.
			665 D	665 MD	665 ED		From	To	
26	13201-809-010	ROD, connecting.....	1	1	1	1		1014915	
26-1	13201-823-000	ROD, connecting.....	1	1	1	1		1014916	
27	91101-809-020	ROLLER, rod, 3×16.8 .....	24	24	24	24			
28	13211-809-000	RETAINER, roller.....	1	1	1	-		1014915	
28-1	13211-823-000	RETAINER, roller.....	1	1	1	1		1014916	
R. 29	<del>13381-809-010</del>	PIN, crank <del>13381-823-000</del> .....	1	1	1	-		1014915	
29-1	13381-823-000	PIN, crank .....	1	1	1	1		1014916	
30	13321-809-010	CRANKSHAFT, left.....	-	-	-	-			
31	13321-811-660	CRANKSHAFT, left..... (Special part for G65HD-with 1/8 redaction)	-	-	-	-			
32	13321-811-620	CRANKSHAFT, left..... (Special part for G65P-type A-with thread)	-	-	-	-			
33	13321-811-630	CRANKSHAFT, left..... (Special part for G65Q-type B-with inth flat key)	-	-	-	-			
34	13321-811-640	CRANKSHAFT, left..... (Special part for G65U-type C-with staged thread)	-	-	-	-			
35	13321-811-650	CRANKSHAFT, left..... (Special part for G65V-type D-with taper)	-	-	-	-			
36	90741-805-000	KEY, 7×7×33 .....	1	1	-	-		1012623	
			-	-	1	1		1028547	

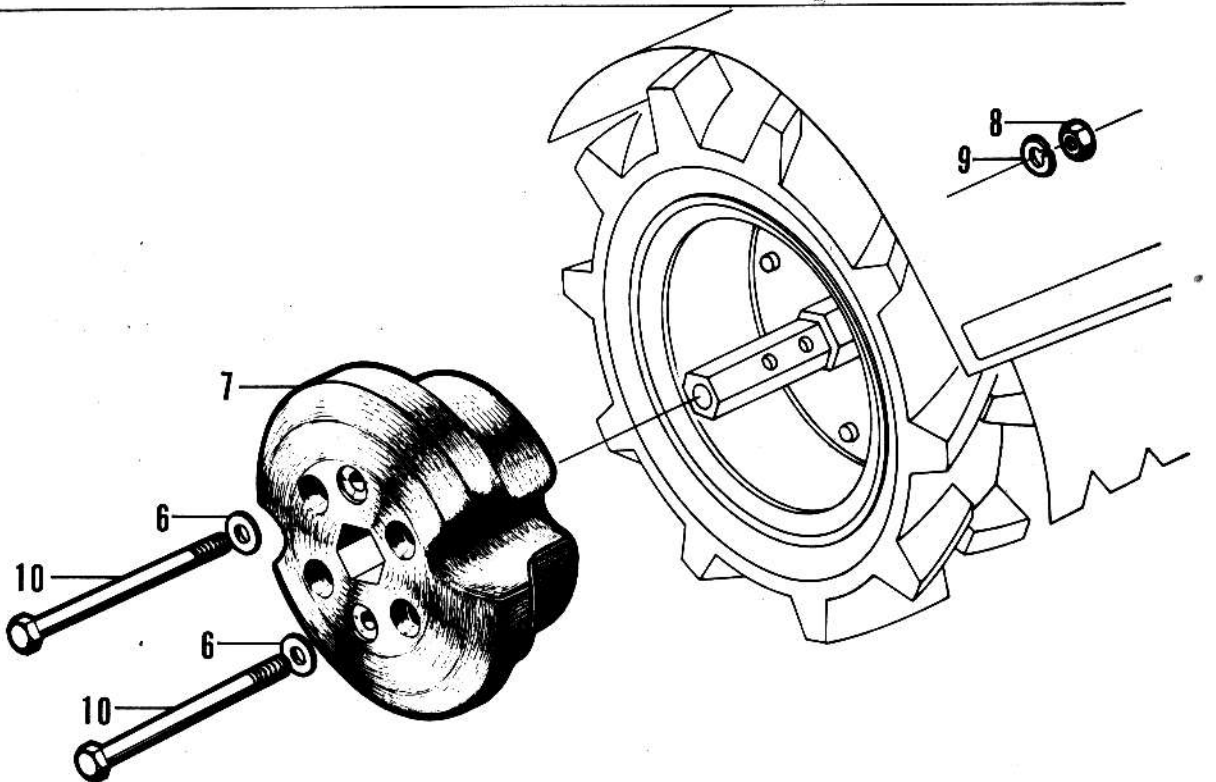
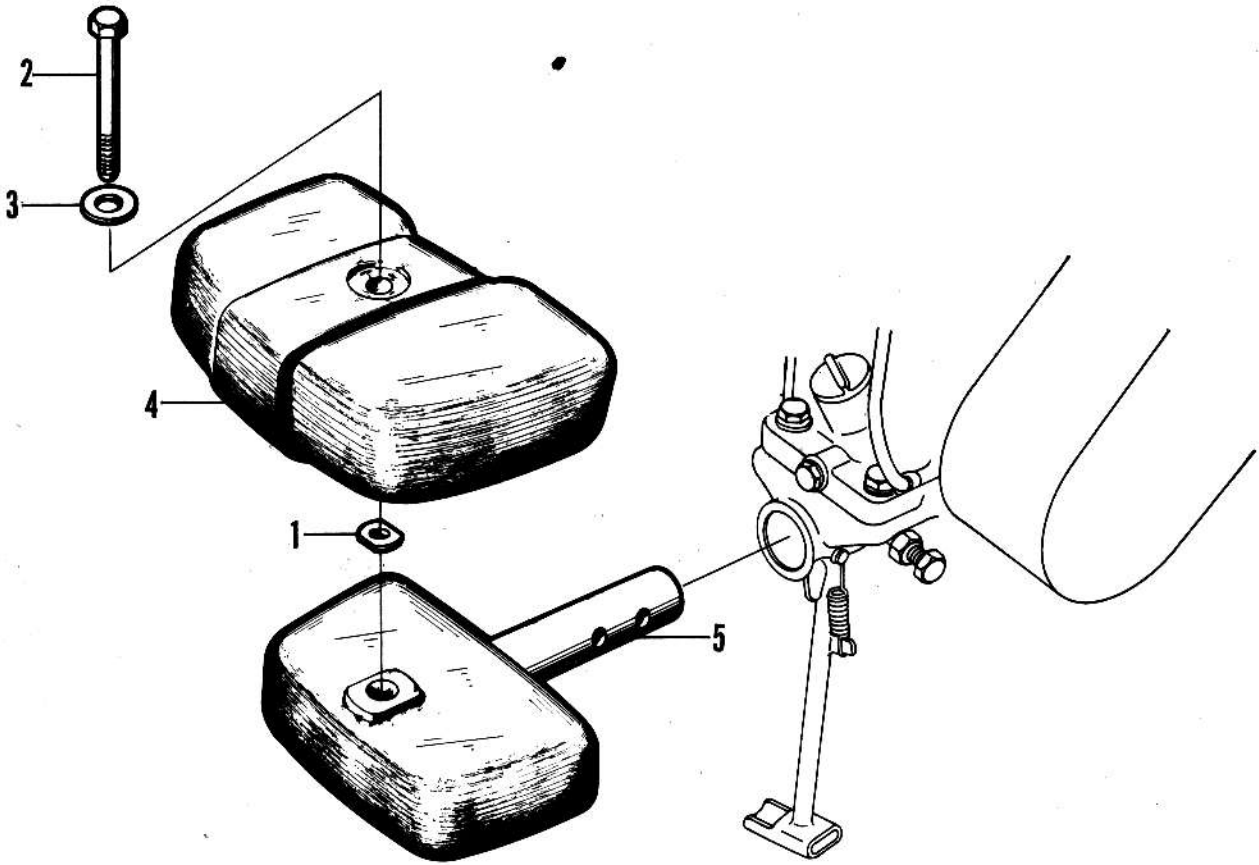
# G-10 Camshaft · Valve



## G-10 Camshaft · Valve

Ref. No.	Part No.	Description	Reqd. No.			6165 D	No. Used on		News No.
			665 D	665 MD	665 ED		From	To	
1	90008-809-000	BOLT, stopper, camshaft center .....	1	1	1				
2	14210-823-010	CENTER, camshaft .....	1	-	1				
3	14210-823-650	CENTER, camshaft .....	-	1	-				
4	91302-700-000	O-RING, 23.5 mm .....	1	1	1				
5	14101-823-303	CAMSHAFT .....	1	1	1				
6	16521-823-000	SLIDER, governor.....	1	1	1				
7	16515-805-000	CENTER, governor weight.....	1	1	1				
8	16511-805-000	WEIGHT, governor .....	12	12	12				
9	16535-809-010	SHAFT, governor arm.....	1	-	1				
10	16535-810-000	SHAFT, governor arm.....	-	1	-				
11	14731-809-010	LIFTER, valve .....	2	2	2				
12	14771-805-000	RETAINER, valve spring .....	2	2	2				
13	14751-823-010	SPRING, valve .....	2	2	2				
14	14775-809-000	SEAT, valve spring .....	2	2	2				
15	14711-823-020	VALVE, inlet .....	1	1	1				
16	14721-823-020	VALVE, exhaust .....	1	1	1				
17	94101-03000	WASHER, plain, 3 mm .....	4	4	4			1012253	

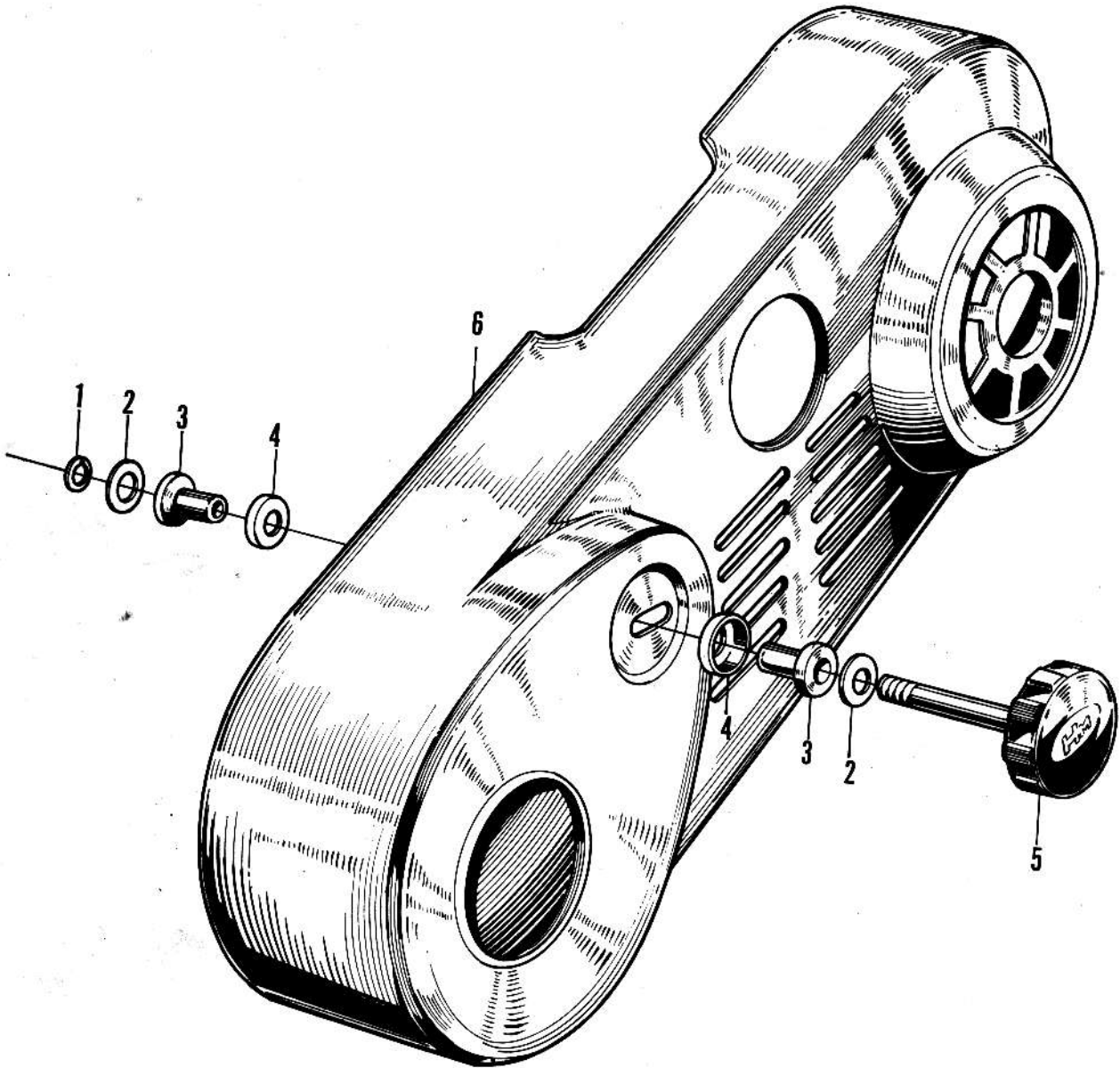
# F-1 Weight



## F-1 Weight

Ref. No.	Part No.	Description	Reqd. No.		No. Used on		News No.
			D	F	From	To	
1	59492-704-000	STOPPER, 12 mm .....	1	-			
2	90134-704-000	BOLT, hex., 12×75 .....	1	-			
3	90583-704-000	WASHER, 12 φ .....	1	-			
4	59351-704-000C	WEIGHT, sub front .....	1	-			
5	59301-704-000C	WEIGHT, main front .....	1	-			
R. 6	<u>94111-10000</u>	WASHER, spring, 10 mm <i>90531-703-004</i> .....	4				
7	59101-704-811W	WEIGHT, wheel (400D×9).....	2	-			
8	94001-10000	NUT, hex., 10 mm .....	4	-			
9	94111-10000	WASHER, spring, 10 mm .....	4	4			
10	92035-10125	BOLT, hex., 10×125 .....	4	4			

## F-2 Belt Cover

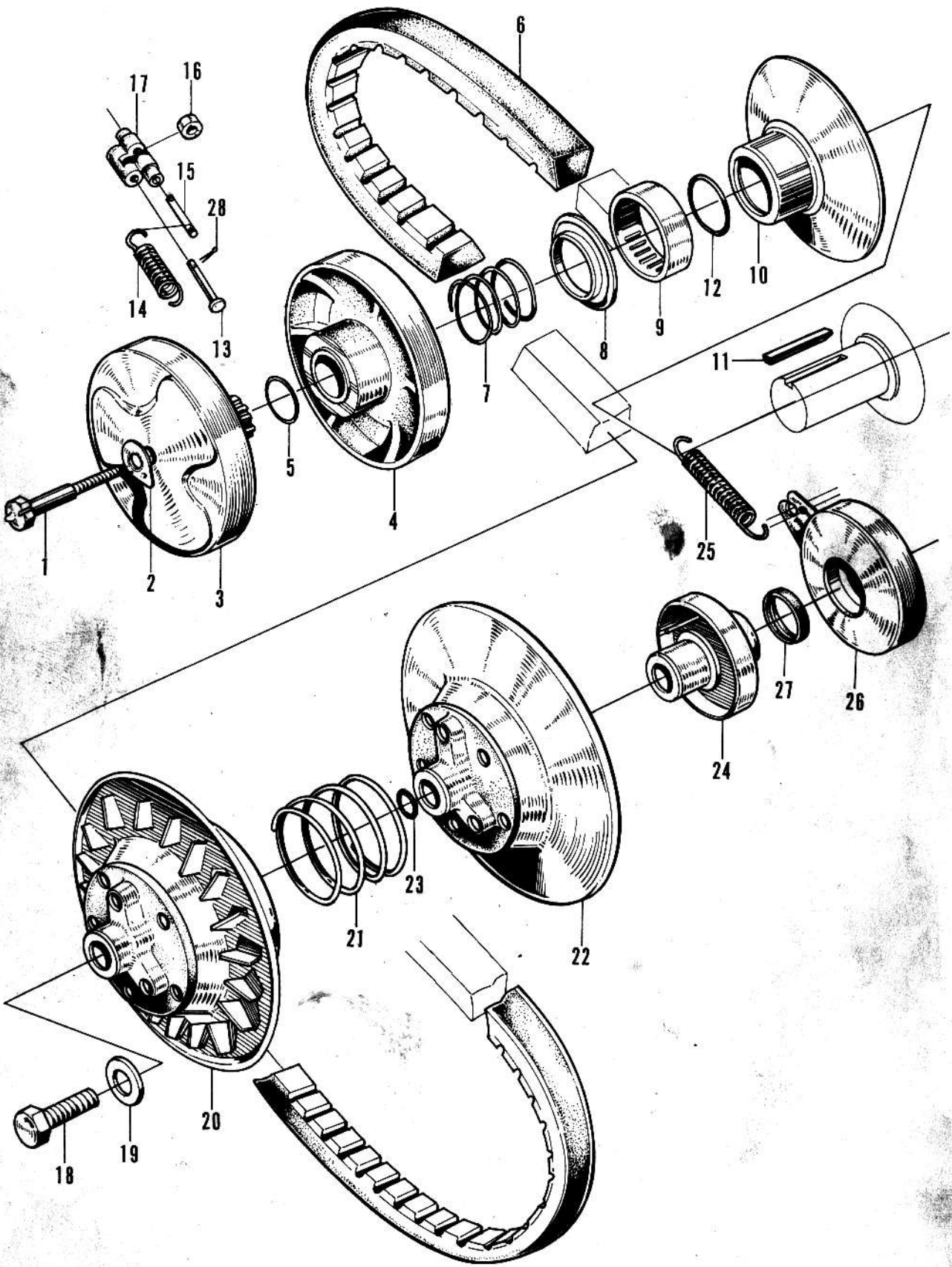


## F-2 Belt Cover

Ref. No.	Part No.	Description	Reqd. No.		No. Used on		News No.
			D	F	From	To	
1	63687-704-000	STOPPER, latch .....	1	1			
2	90581-704-010	WASHER, special, 8 mm .....	2	2			
3	63692-704-020	RUBBER B, cushion .....	2	2			
4	63693-704-000	PLATE, cushion rubber side .....	2	2			
5	63681-704-020	LATCH B, belt cover .....	1	1			
6	63610-714-000N	COVER, belt. (Ivory White) .....	1	1			



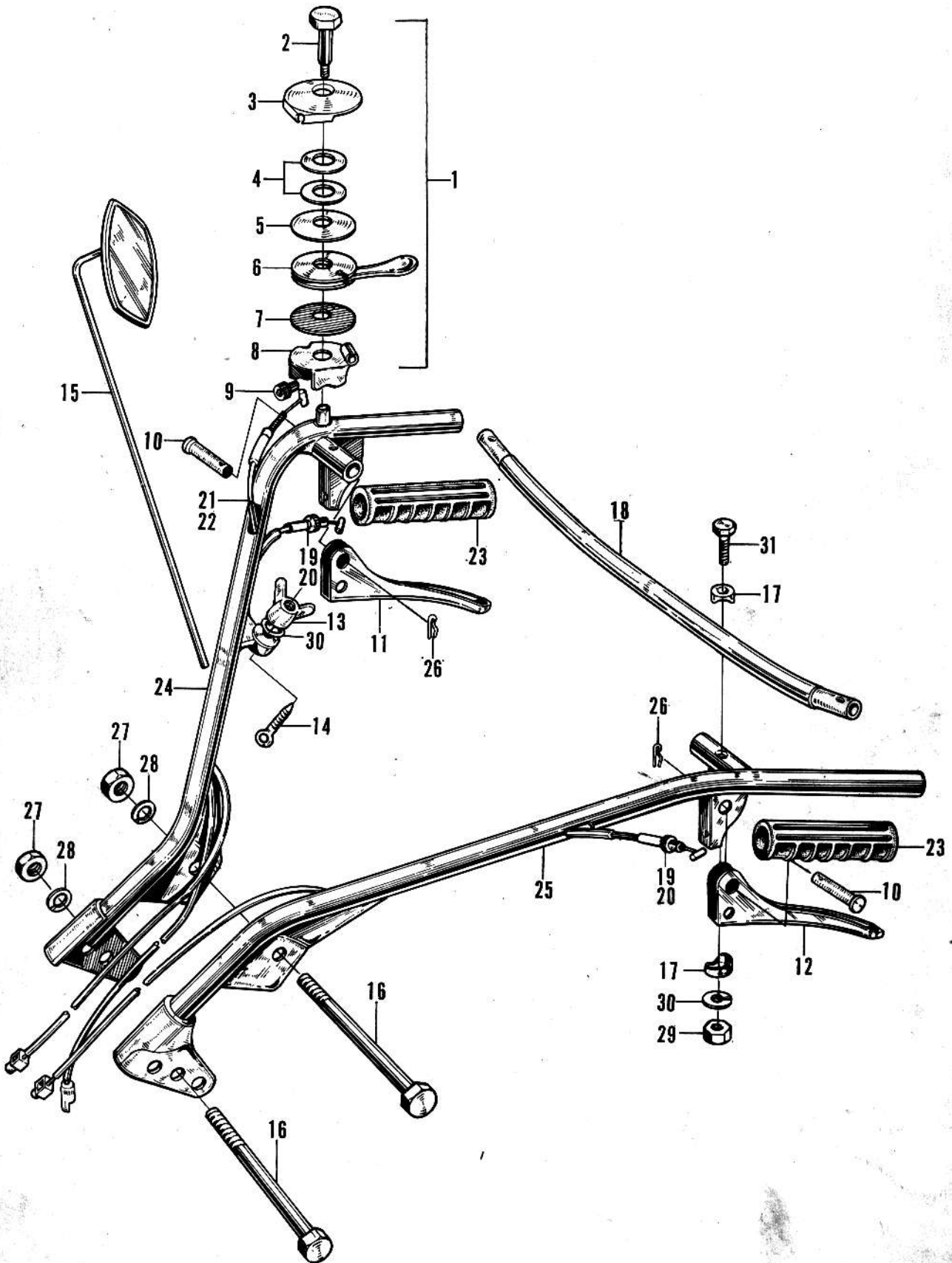
# F-3 Pulley



### F-3 Pulley

Ref. No.	Part No.	Description	Reqd. No.		No. Used on		News No.
			D	F	From	To	
1	23193-704-000	BOLT, pulldy setting.....	1	1			
2	90433-704-000	WASHER, locking.....	1	1			
3	22100-704-000	COVER B, drive pulley.....	1	1			
4	22515-704-000	PULLEY B, drive.....	1	1			
5	91303-704-000	O-RING, 35 mm.....	1	1			
6	23161-714-000	VELT, varying pitch.....	1	1			
7	22411-704-000	SPRING, clutch free.....	1	1			
8	23192-704-000	PLATE, thrust.....	1	1			
9	<u>22531-709-000</u>	COLLAR, free... <i>9102.1-204-000</i> .....	1	1			
10	22511-704-000	PULLEY A, drive.....	1	1			
11	90741-704-000	KEY, drive.....	1	1			
12	91304-704-000	O-RING, 42 mm.....	1	1			
13	22522-714-000	PIN, varying pitch weight.....	3	3			
14	22527-714-000	SPRING, weight return.....	3	3			
15	22526-714-000	HOOK, spring.....	3	3			
16	22525-704-010	ROLLER, varying pitch weight.....	3	3			
17	22521-714-000	WEIGHT, varying pitch.....	3	3			
18	90026-704-020	BOLT, driven pulley locking.....	1	1			
19	90471-704-010	WASHER A, 8 mm.....	1	1			
20	22560-704-020	PULLEY A, driven.....	1	1			
21	22595-704-000	SPRING, varying pitch.....	1	1			
22	22570-704-020	PULLEY B, driven.....	1	1			
23	91302-704-000	O-RING, 20 mm.....	1	1			
24	22585-704-020	RACE, inner.....	1	1			
R 25	<u>22881-704-000</u>	SPRING, wire return <i>22881-714-000</i> .....	1	1			
26	22580-704-010	RACE, outer.....	1	1			
R 27	<u>91202-704-010</u>	OIL-SEAL, PJ28408 <i>91202-714-000</i> .....	1	1			
28	94201-10100	PIN, cotter, 10 mm.....	3	3			
29	<i>91305-714-000</i>	<i>joint torique dans Pièce N°24</i>					

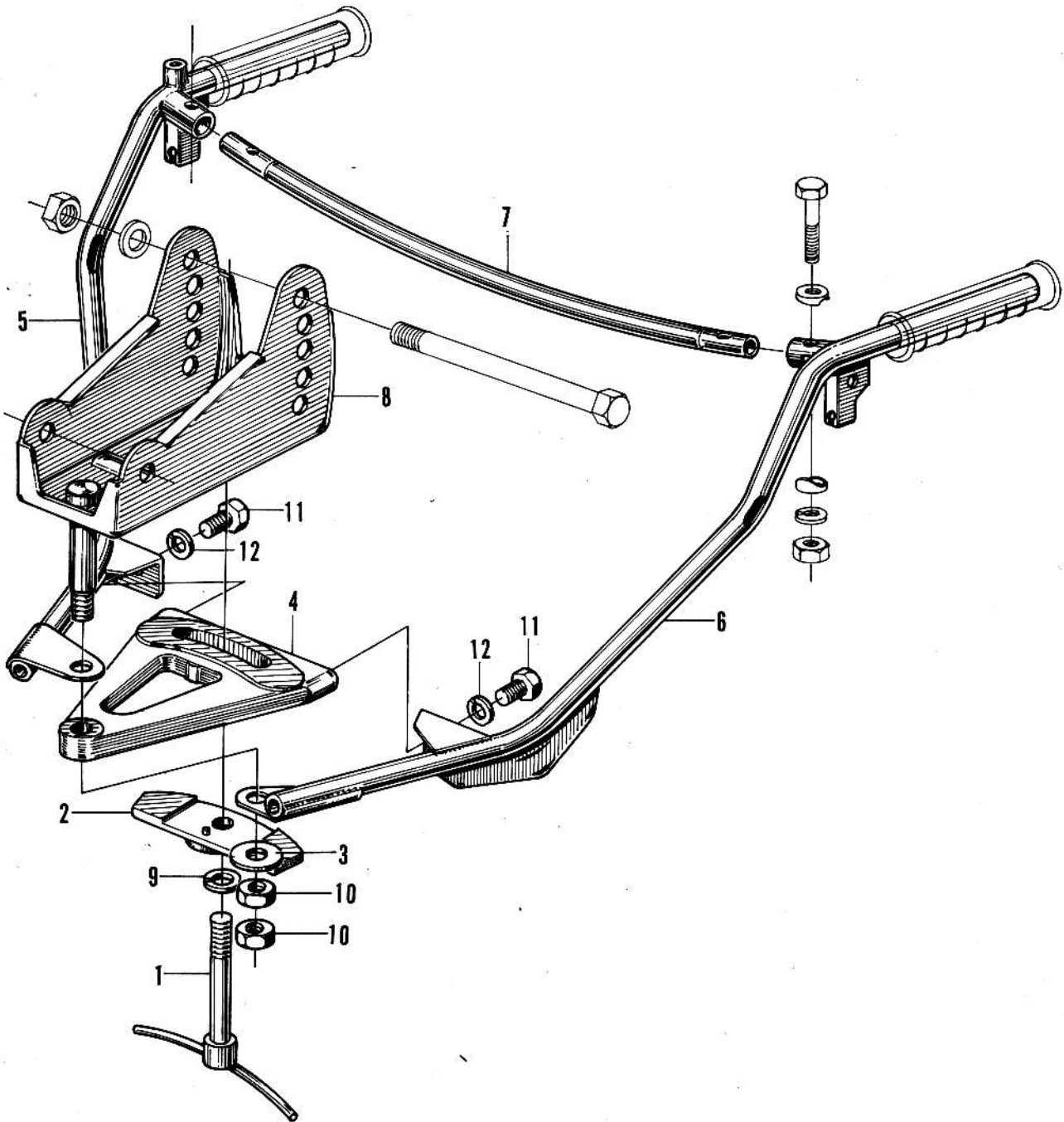
# F-4 Handle



## F-4 Handle

Ref. No.	Part No.	Description	Reqd. No.		No. Used on		News No.
			D	F	From	To	
1	17850-709-000	LEVER ASSY., throttle .....	1	1			
2	17855-704-010	SHAFT, throttle lever .....	1	1			
3	17852-709-000	COVER, throttle lever .....	1	1			
4	17856-700-000	PLATE, throttle lever adjusting.....	3	3			
5	17831-704-000	SPRING, throttle lever .....	1	1			
6	17851-704-000	LEVER, throttle .....	1	1			
7	17862-701-010	SEAT, throttle lever end .....	1	1			
8	17854-709-000	STAY, throttle lever .....	1	1			
9	17860-709-000	NUT B, adjusting .....	1	1			
10	54712-709-000	PIN, round head, 8×15.5.....	2	2			
11	54611-704-010	LEVER B, right side clutch .....	1	1			
12	54621-704-010	LEVER B, left side clutch .....	1	1			
13	90351-700-000	NUT, wing, 8 φ .....	1	-			
14	88171-701-000	BOLT, clamp .....	1	-			
15	88110-700-000	MIRROR ASSY., back.....	1	-			
16	90132-703-000	BOLT, hex., 10×123 .....	2	2			
17	17891-700-000	WASHER, throttle lever .....	4	4			
18	53211-704-020	BRIDGE, handle.....	1	-			
19	54710-709-000	WIRE B, side clutch.....	2	-			
20	54710-709-680	WIRE B, side clutch.....	-	2			
21	17910-709-000	WIRE, throttle.....	1	-			
22	17910-709-680	WIRE, throttle.....	-	1			
23	53321-704-000	GRIP, handle .....	2	2			
24	53110-709-000	PIPE, right handle .....	1	-			
25	53150-709-000	PIPE, left handle .....	1	-			
26	94251-08000	PIN, locking, 8 mm .....	2	2			
27	94001-10000	NUT, hex., 10 mm .....	2	2			
28	94111-10000	WASHER, spring, 10 mm .....	2	2			
29	94001-08000	NUT, hex., 8 mm .....	2	2			
30	94111-08000	WASHER, spring, 8 mm .....	3	2			
31	92000-08038	BOLT, hex., 8×38.....	2	2			

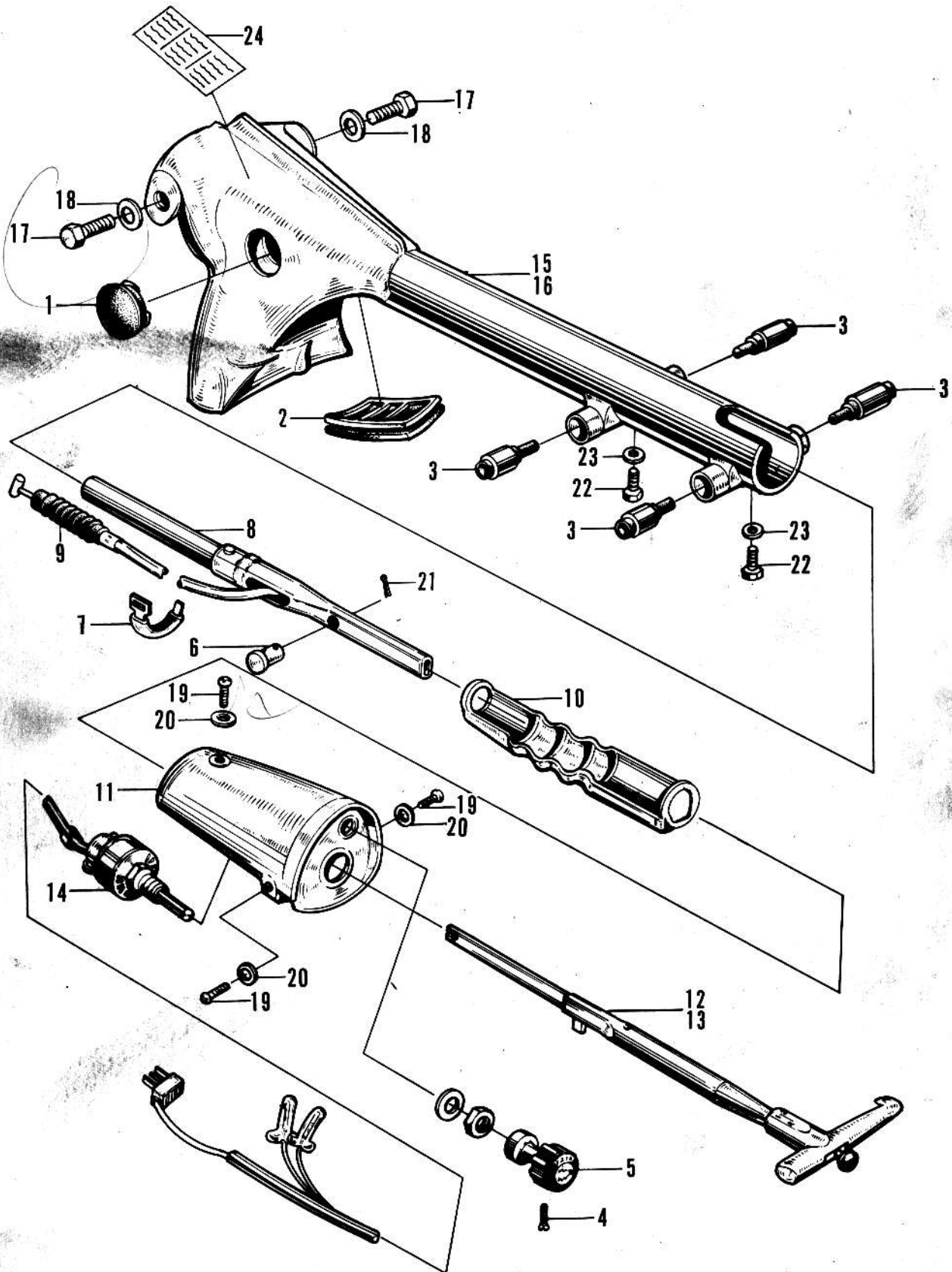
## F-5 Swing Handle



## F-5 Swing Handle

Ref. No.	Part No.	Description	Reqd. No.		No. Used on		News No.
			D	F	From	To	
1	54771-704-600	LOCK, handle .....	-	1			
2	54585-704-600	PIECE, pressure .....	-	1			
R 3	<span style="border: 1px solid black; padding: 2px;">90584-704-810</span>	WASHER, 11×28 .. <i>90586-704-810</i>	-	1			
4	54584-704-602	BODY, swing .....	-	1			
5	53110-709-680	PIPE, riget handle .....	-	1			
6	53150-709-680	PIPE, left handle .....	-	1			
7	53211-704-680	BRIDGE, handle .....	-	1			
8	53510-704-681	PLATE, adjuster .....	-	1			
R 9	<span style="border: 1px solid black; padding: 2px;">94111-10000</span>	WASHER, spring, 10 mm .....	-	1			
10	94002-10000	NUT, thin, 10 mm .....	-	2			
11	92000-08018	BOLT, hex., 8×18 .....	-	2			
12	94111-08000	WASHER, spring, 8 mm .....	-	2			

# F-6 Handle Column

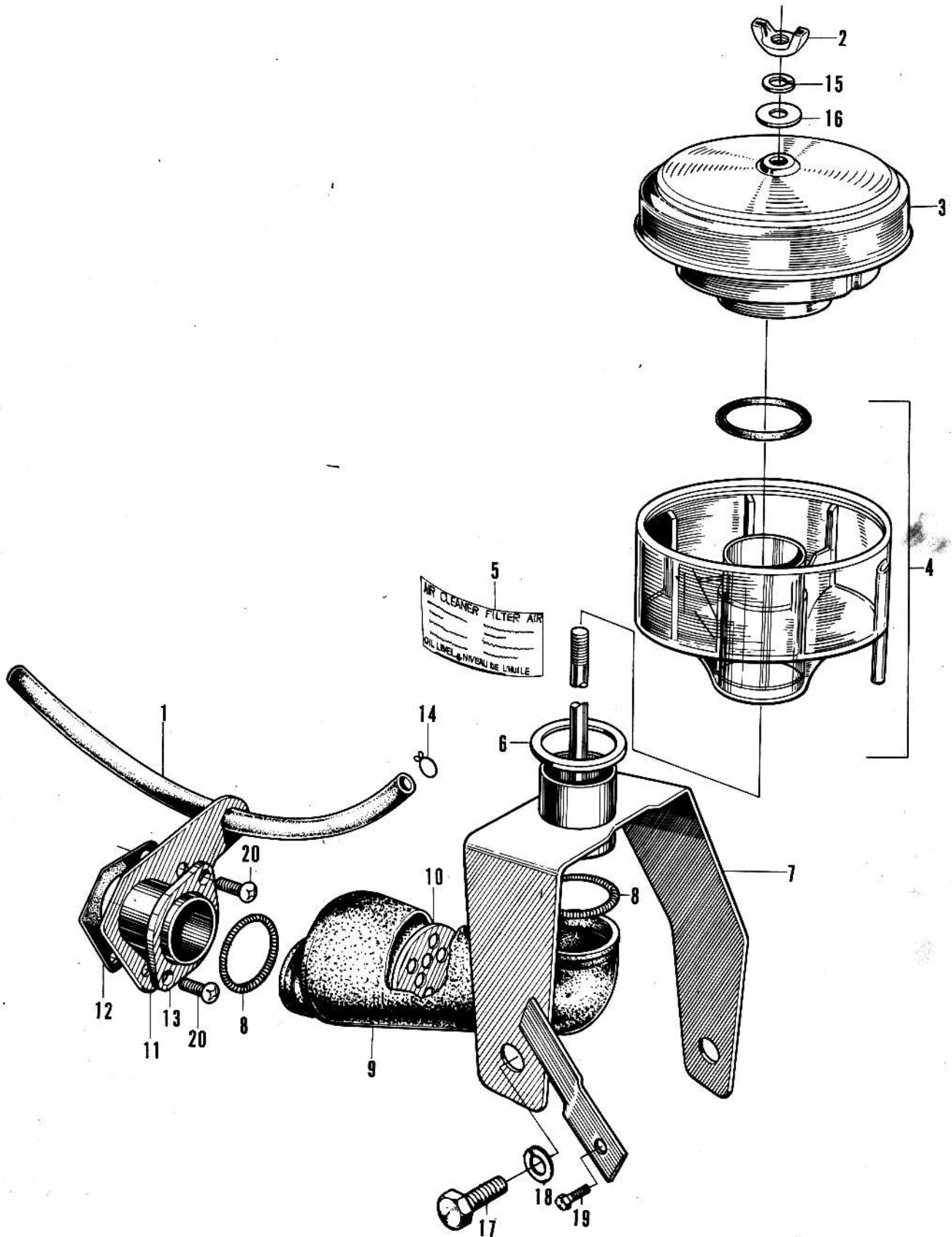


## F-6 Handle Column

Ref. No.	Part No.	Description	Reqd. No.		No. Used on		News No.
			D	F	From	To	
1	50221-704-000	COVER, joint .....	1	1			
2	50211-704-000	COVER, column .....	1	1			
3	53571-704-000	DAMPER, hinge boss .....	4	4			
4	35112-701-000	SCREW, knob setting .....	1	-			
5	35111-704-000	KNOB, combination swith .....	1	-			
6	54581-704-000	END, wire .....	1	1			
7	54587-704-000	BAND, change wire .....	1	1			
8	54150-704-020	ROD B, change .....	1	1			
9	54510-704-000	WIRE, change .....	1	1			
10	54471-704-020	STOPPER, change rod .....	1	1			
11	66111-704-010	BOARD, column dish .....	1	1			
12	54140-704-000	ROD A, change .....	1	-			
13	54140-704-820	ROD A, change .....	-	1			
14	35100-704-000	SWITCH ASSY., combination .....	1	-			
15	50110-709-000C	COLUMN, handle .....	1	-			
16	50110-709-680C	COLUMN, handle .....	-	1			
17	92000-10022	BOLT, hex., 10×22 .....	2	2			
18	94111-10000	WASHER, spring, 10 mm .....	2	2			
19	93500-05010	SCREW, pan., 5×10 .....	3	3			
20	94101-05000	WASHER, plain, 5 mm .....	3	3			
21	94201-16200	PIN, cotter, 1.6 mm .....	1	1			
22	92000-06010	BOLT, hex., 6×10 .....	2	2			
23	94101-06000	WASHER, plain, 6 mm .....	2	2			
24	87535-816-660	PLATE, oil bath caution .....	1	1			



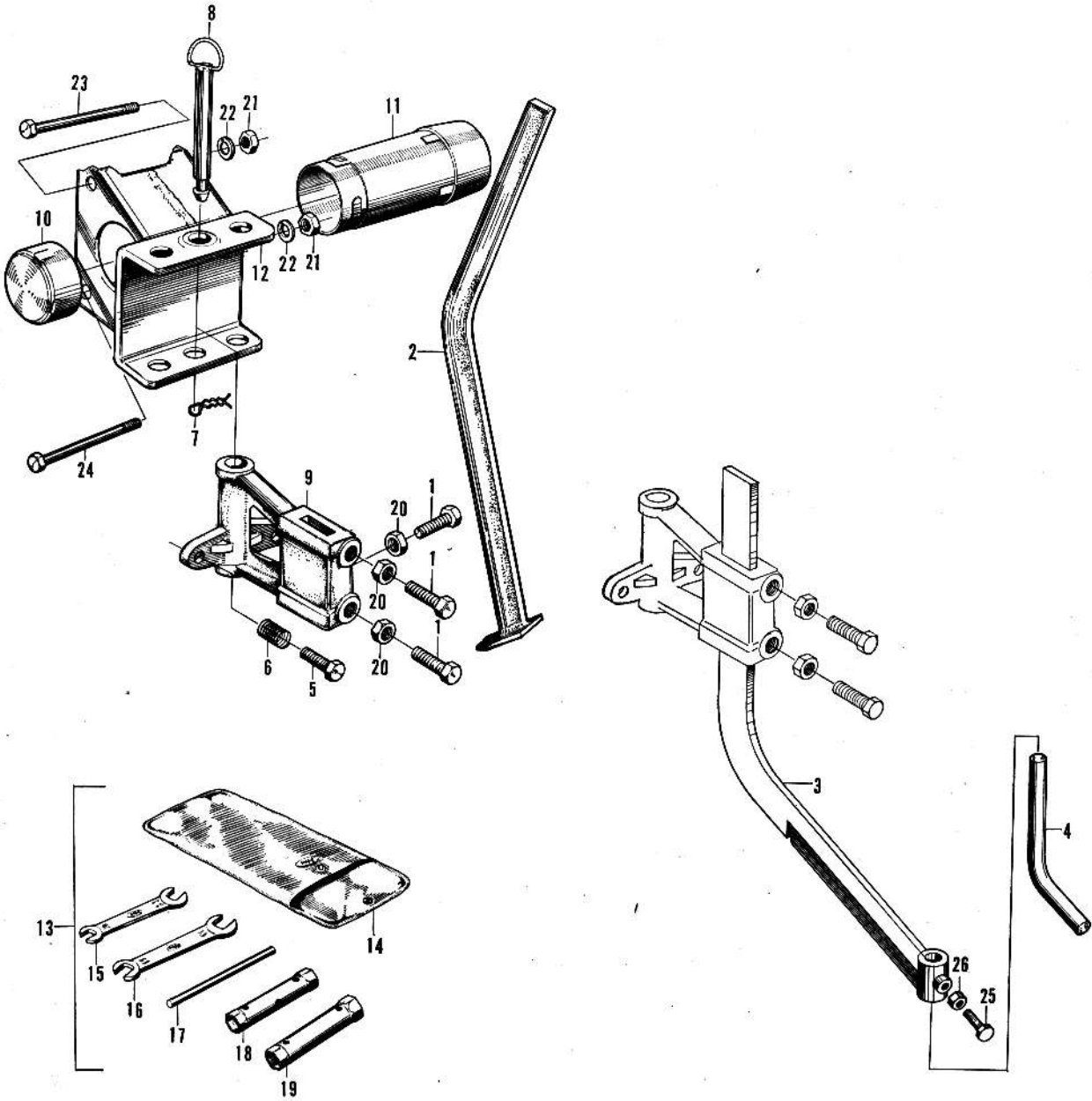
# F-7 Air Cleaner



## F-7 Air Cleaner

Ref. No.	Part No.	Description	Reqd. No.		No. Used on		News No.
			D	F	From	To	
1	15761-704-010	PIPE, breather.....	1	1			
2	90352-704-000	NUT, wing, 6 $\phi$ .....	1	1			
3	17401-704-000	CASE, air cleaner .....	1	1			
4	17441-704-010	PAN, oil .....	1	1			
5	17442-704-621	PLATE, oil bath description .....	1	1			
6	17475-709-000	PACKING, air cleaner .....	1	1			
7	17470-709-010	STAY, air cleaner .....	1	1			
8	16265-704-000	BAND, connecting tube .....	2	2			
9	16261-714-000	TUBE, air cleaner connecting .....	1	1			
10	16263-714-000	PLATE, sepalate.....	1	1			
11	16267-709-000	JOINT, air cleaner manifold .....	1	1			
12	16269-822-000	PACKING, air cleaner .....	1	1			
13	16268-714-000	FLANGE, manifold .....	1	1			
14	95002-80000	CLIP, fuel tube, 8 $\phi$ .....	2	2			
15	94111-06000	WASHER. spring, 6 mm .....	1	1			
16	94101-06000	WASHER. plain, 6 mm .....	1	1			
17	92000-10022	BOLT, hex., 10 $\times$ 22 .....	1	1			
18	94111-10000	WASHER. spring, 10 mm.....	1	1			
19	92000-06020	BOLT, hex., 6 $\times$ 20 .....	1	1			
R. 20	93500-06016	SCREW, pan, 6 $\times$ 10 .....	2	2			

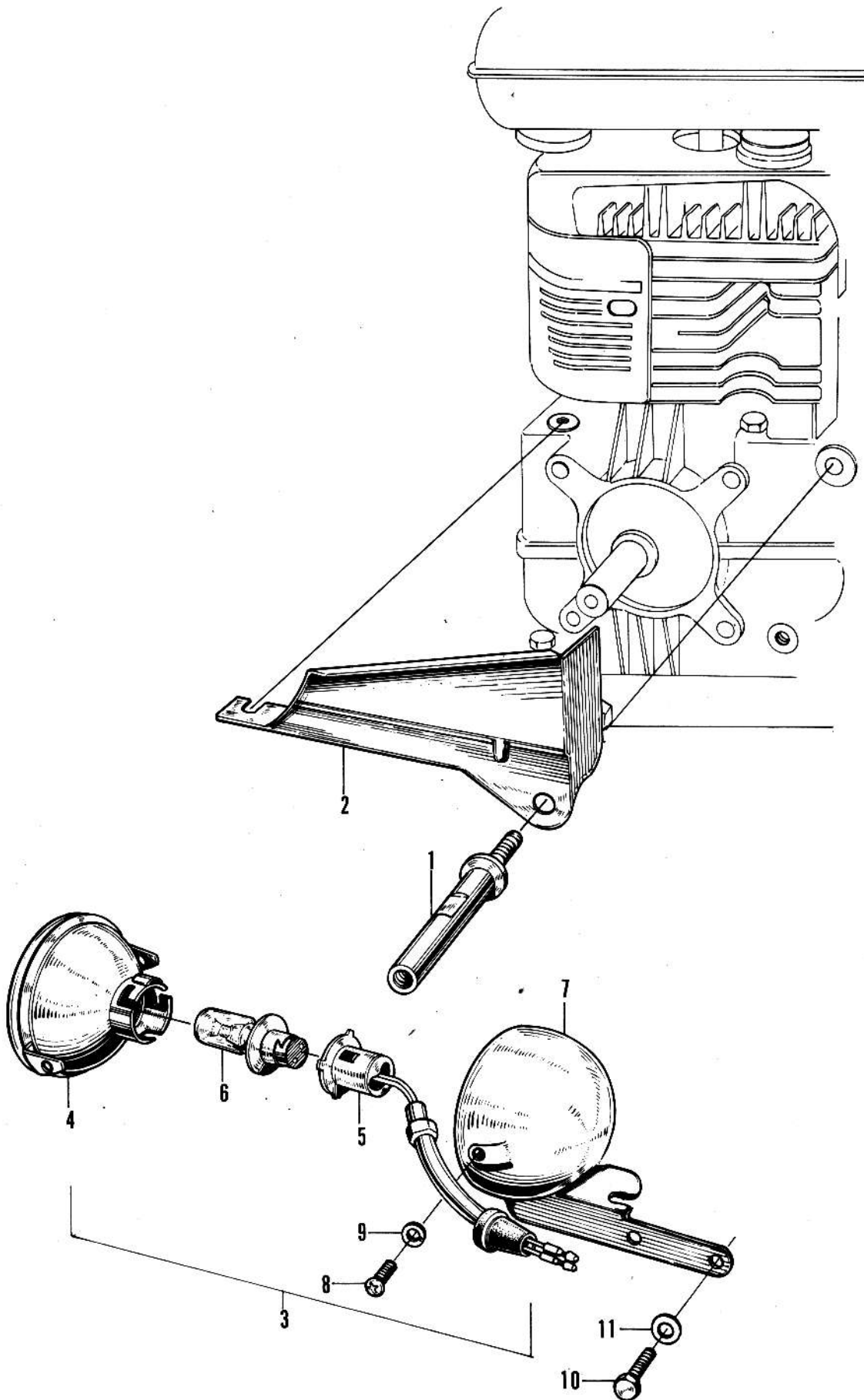
# F-8 Hitch Box · Tool



## F-8 Hitch Box - Tool

Ref. No.	Part No.	Description	Reqd. No.		No. Used on		News No.
			D	F	From	To	
1	90148-700-000	BOLT, hex., 12×38 .....	3	3			
2	80311-703-810	BAR, drag .....	1	-			
3	80311-704-810	BAR A, drag .....	-	1			
4	80315-704-810	BAR B, drag .....	-	1			
5	90141-703-600	BOLT, hex., 12×50 .....	2	2			
6	50691-703-000	SPRING, hitch joint adjusting.....	2	2			
7	50671-703-810	CLIP, 16 φ.....	1	1			
8	51620-703-010	PIN, weight holder .....	1	1			
9	80151-703-810	HITCH, B type .....	1	1			
10	83121-704-000	CAP, tool .....	1	1			
11	83111-704-000	BOX, tool .....	1	1			
12	50610-704-000	BOX, hitch .....	1	1			
13	89000-709-000	TOOL ASSY.,.....	1	1			
14	83151-805-000	BAG, tool .....	1	1			
15	99001-10140	SPANNER, open end, 10×14.....	1	1			
16	99001-17190	SPANNER, open end, 17×19.....	1	1			
17	89219-805-000	HANDLE, box wrench.....	1	1			
18	89214-700-000	SOCKET, 10×14 .....	1	1			
19	89216-704-000	WRENCH, sparking plug .....	1	1			
20	94002-12000	NUT, thin., 12 mm.....	3	3			
21	94001-10000	NUT, hex., 10 mm .....	2	2			
22	94111-10000	WASHER, spring, 10 mm .....	2	2			
23	92000-10110	BOLT, hex., 10×110 .....	1	1			
24	92000-10100	BOLT, hex., 10×100.....	1	1			
25	92023-10025	BOLT, hex., 10×25 .....	-	1			
26	94001-10000	NUT, hex., 10 mm .....	-	1			

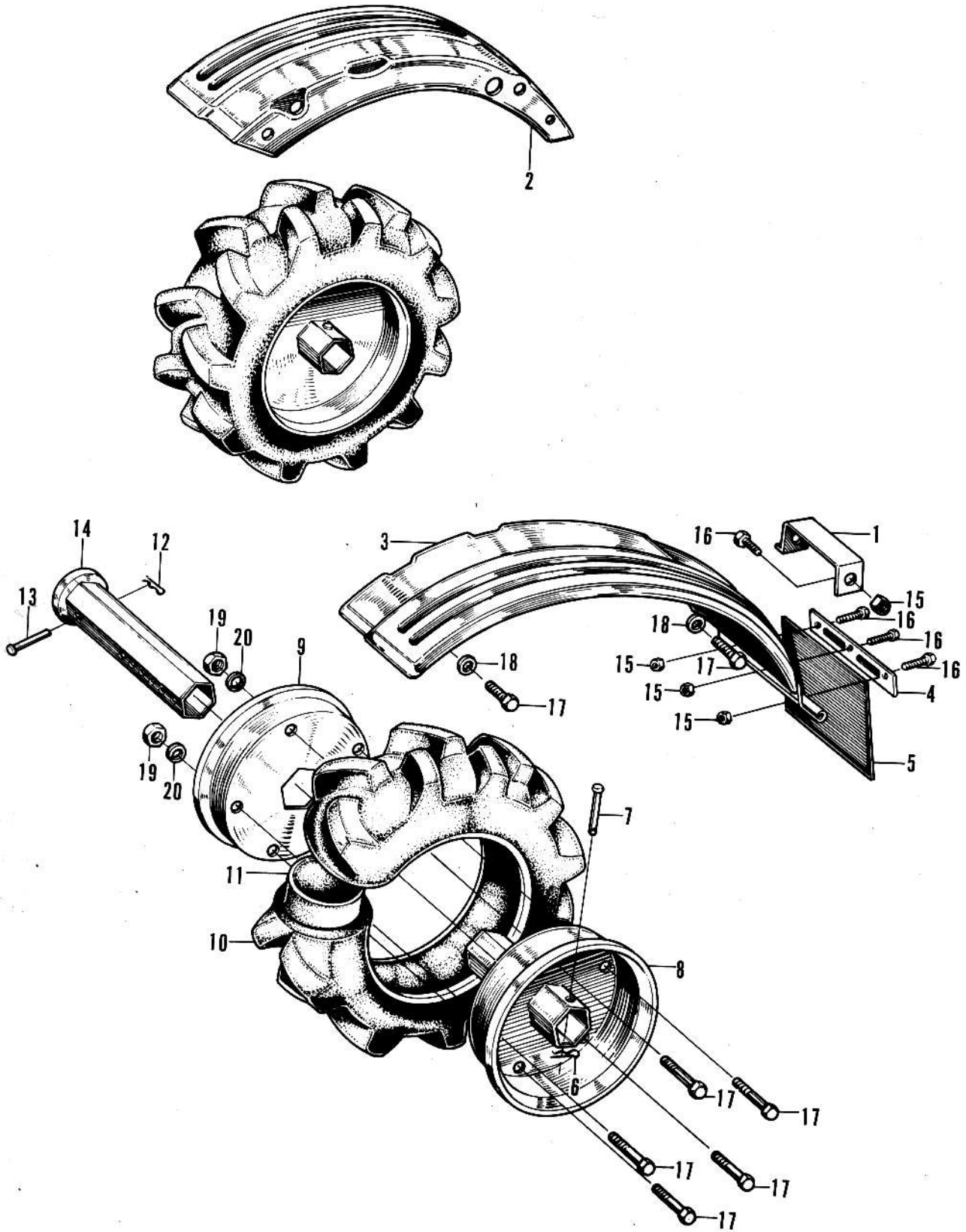
# F-9 Head Light



## F-9 Head Light

Ref. No.	Part No.	Description	Reqd. No.		No. Used on		News No.
			D	F	From	To	
1	90091-704-020	SCREW, cover support .....	1	1			
2	11901-714-000	PLATE, bottom guide .....	1	1			
3	33100-714-000C	LIGHT ASSY., head (Scarlet) .....	1	-			
4	33110-704-000	LIGHT-UNIT, head .....	1	-			
5	33120-704-000	SOCKET ASSY., head light .....	1	-			
6	34901-030-003	BULB, head light .....	1	-			
7	33130-714-000C	BODY, head light (Scarlet).....	1	-			
8	93500-05008	SCREW, pan, 5×8.....	2	-			
9	94111-05000	WASHER, spring, 5 mm .....	2	-			
10	92000-08016	BOLT, hex., 8×16.....	2	-			
11	94101-08000	WASHER, plain, 8 mm .....	1	-			

# F-10 Wheel

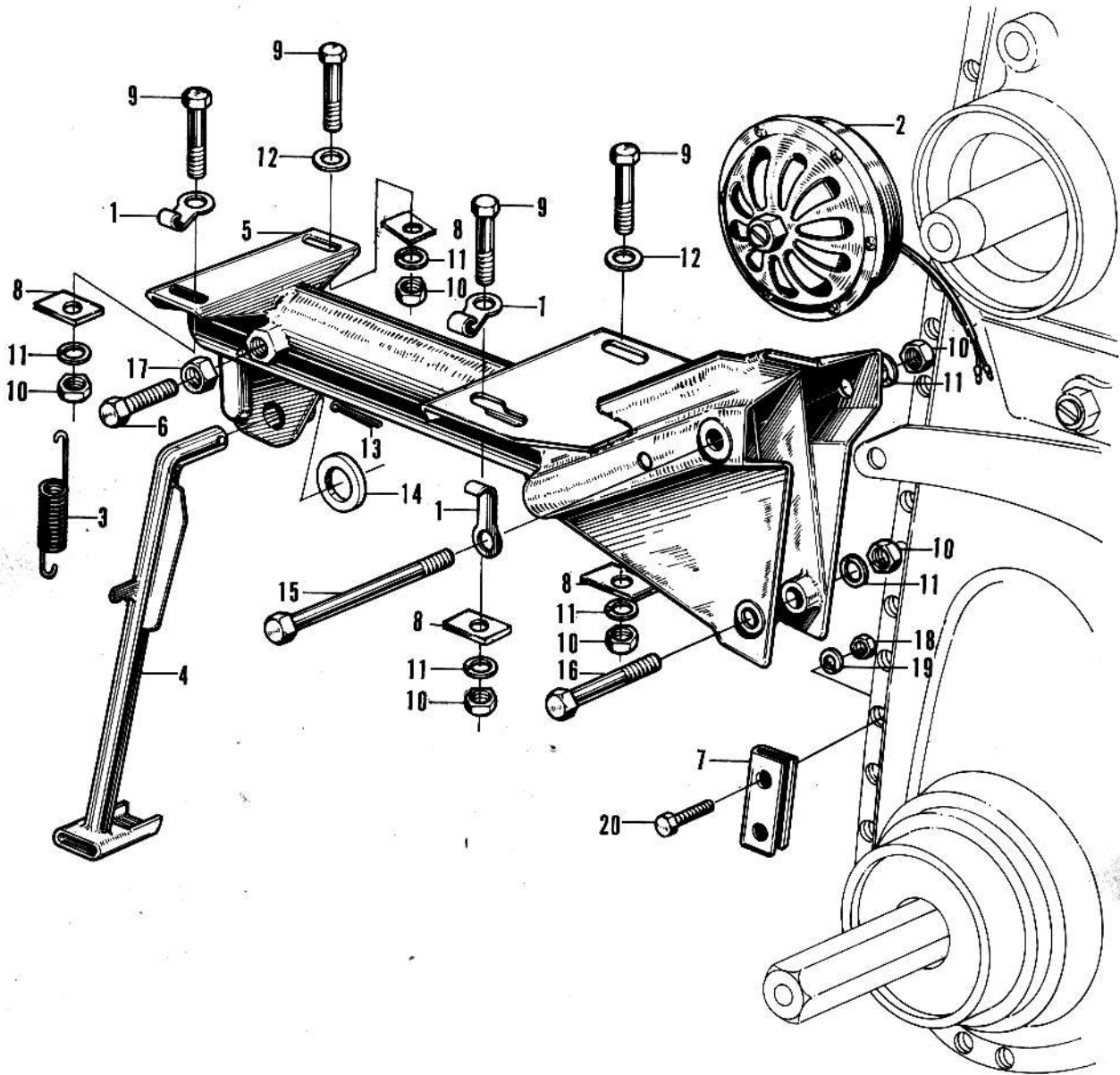


## F-10 Wheel

Ref. No.	Part No.	Description	Reqd. No.		No. Used on		News. No.
			D	F	From	To	
1	61151-704-000	STAY, fender .....	1	1			
2	61110-714-000N	FENDER, right (ivory white).....	1	1			
3	61210-714-000N	FENDER, left (ivory white) .....	1	1			
4	61771-704-000	BAR, mudguard .....	2	2			
5	61711-704-000	MUDGUARD .....	2	2			
6	90652-700-000	PIN, snap, 9 $\phi$ .....	2	2			
7	90753-703-000	PIN, round head, 9x54 .....	2	2			
8	42701-703-810N	WHEEL A, 300Dx9 (ivory white) .....	2	2			
9	42702-703-810N	WHEEL B, 300x9D (ivory white) .....	2	2			
10	42751-703-811	TIRE, 400x9 .....	2	2			
11	42752-703-812	TUBE, 400x9 .....	2	2			
12	90651-703-000	PIN, snap, 7 $\phi$ .....	2	2			
13	90754-703-000	PIN, round head, 7x55 .....	2	2			
14	42400-703-010	SHAFT, pipe .....	2	2			
15	94001-06000	NUT, hex., 6 mm .....	8	8			
16	92000-06012	BOLT, hex., 6x12 .....	8	8			
17	92000-08016	BOLT, hex., 8x16 .....	14	14			
18	94101-08000	WASHER, plain, 8 mm.....	4	4			
19	94001-08000	NUT, hex., 8 mm .....	12	12			
20	94111-08000	WASHER, spring, 8 mm .....	12	12			



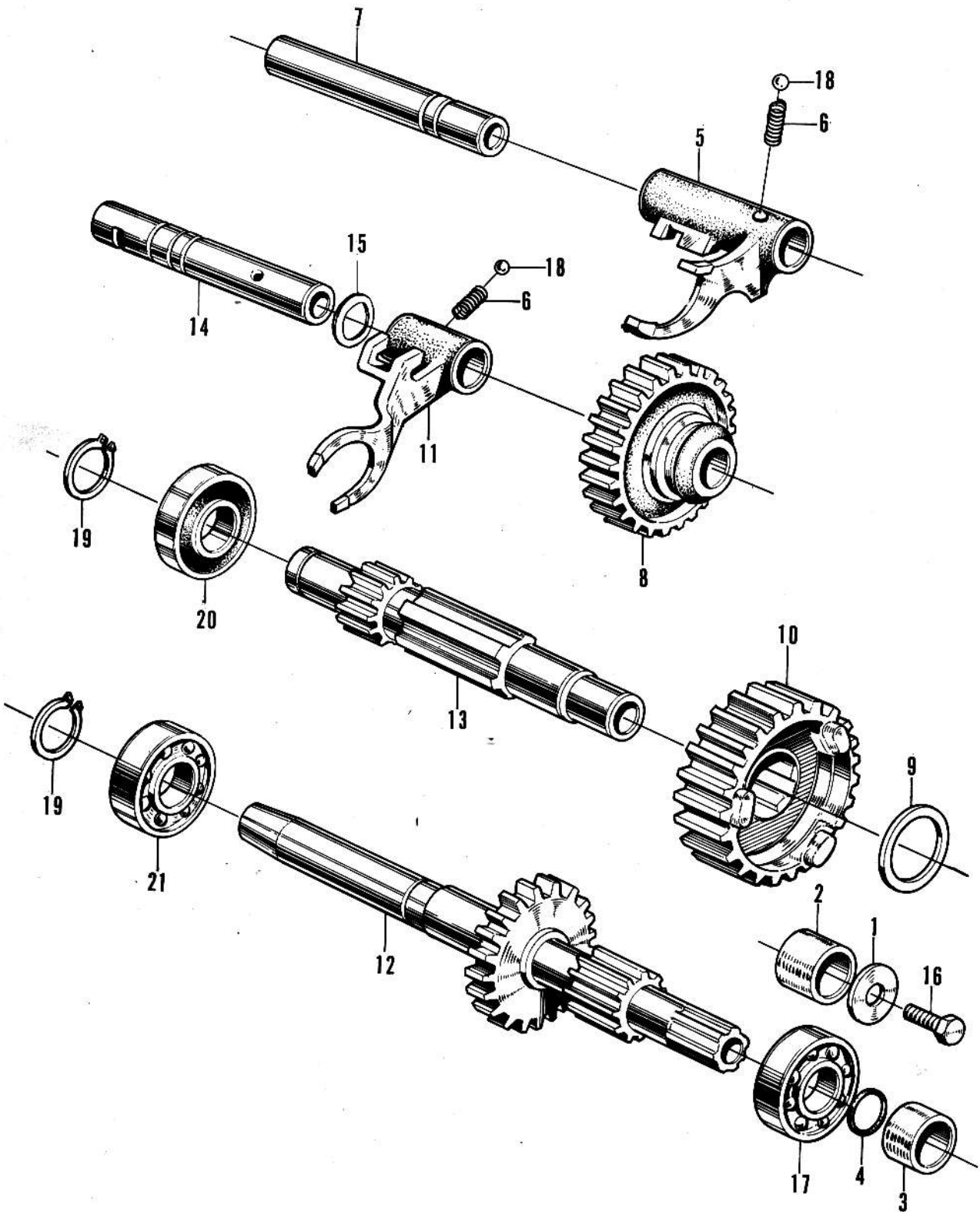
# F-11 Engine Frame



## F-11 Engine Frame

Ref. No.	Part No.	Description	Reqd. No.		No. Used on		News No.
			D	F	From	To	
1	32905-704-000	BINDER, cord.....	3	1			
2	38100-704-000	HORN ASSY.....	1	-			
3	51521-704-000	SPRING, stand .....	1	1			
4	51510-704-000	STAND.....	1	1			
5	51110-714-010	ENGINE FRAME (Ivory white) .....	1	1			
6	90133-704-010	BOLT, hex., 12×35 .....	1	1			
7	21801-709-000	PLATE, combination.....	1	1			
8	90521-714-000	WASHER, engine bed .....	4	4			
9	92200-10040	BOLT, hex., 10×40 .....	4	4			
10	94001-10000	NUT, hex., 10 mm .....	6	6			
11	94111-10000	WASHER, spring, 10 mm .....	6	6			
12	94101-10000	WASHER, plain, 10 mm .....	2	4			
13	94201-30200	PIN, cotter, 3.0 mm .....	1	1			
14	94101-12000	WASHER, plain, 12 mm .....	1	1			
15	92000-10100	BOLT, hex., 10×100.....	1	1			
16	92200-10050	BOLT, hex., 10×50 .....	1	1			
17	94001-12000	NUT, hex., 12 mm .....	1	1			
18	94001-06000	NUT, hex., 6 mm .....	1	1			
19	94111-06000	WASHER, spring, 6 mm .....	1	1			
20	92000-06018	BOLT, hex., 6×18.....	1	1			

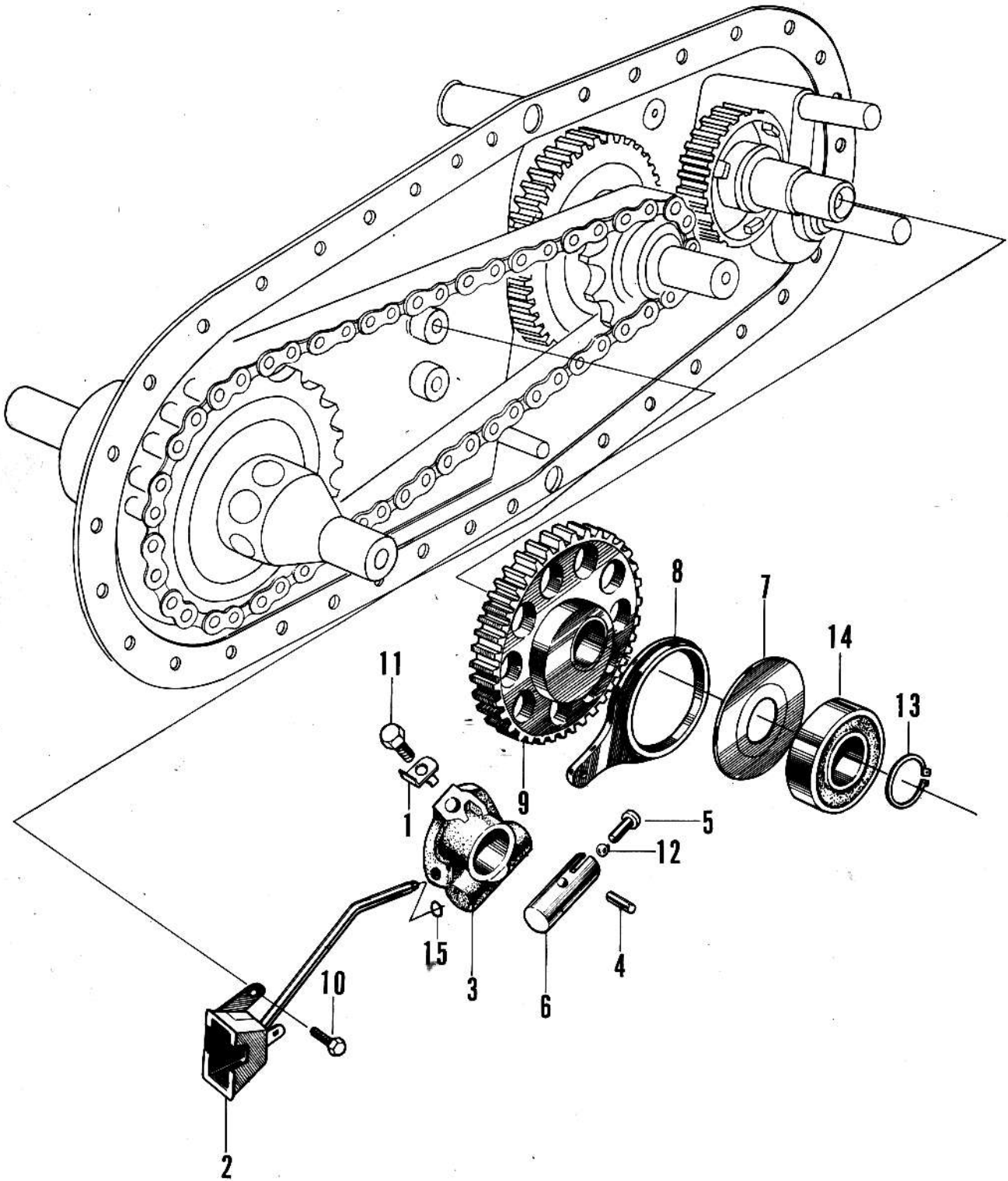
# F-12 Mission



## F-12 Mission

Ref. No.	Part No.	Description	Reqd. No.		No. Used on		News No.
			D	F	From	To	
1	90471-703-000	WASHER B, 8 mm .....	1	1			
2	23716-703-000	COLLAR, shaft .....	1	1			
3	<span style="border: 1px solid black; padding: 2px;">23715-704-303</span>	COLLAR, P.T.O. shaft <i>33715-704-303</i> .....	1	1			
4	91305-703-000	O-RING, 20 mm .....	1	1			
5	24221-704-000	FORK B, shift.....	1	1			
6	24271-700-000	SPRING, ball setting .....	2	2			
7	24111-704-000	SHAFT, shift fork .....	1	1			
8	23580-704-000	GEAR, reverse .....	1	1			
9	90453-704-000	WASHER, thrust, 22 mm .....	1	1			
10	23571-709-000	GEAR, shifter .....	1	1			
11	24211-704-000	FORK A, shift .....	1	1			
12	23220-704-020	SHAFT, drive .....	1	1			
13	23211-714-000	SHAFT, mission.....	1	1			
14	23281-704-000	SHAFT, reverse .....	1	1			
15	90451-040-000	WASHER, thrust, 17 mm .....	1	1			
16	92000-08025	BOLT, hex., 8x25 .....	1	1			
17	96100-62040	BEARING, ball, 6204 .....	1	1			
18	96211-08000	BALL, steel, # 8 .....	2	2			
19	94510-20120	CIR-CLIP, 20 mm .....	2	2			
20	96140-63040	BEARING, ball, 6304R.....	1	1			
21	96140-62040	BEARING, ball, 6204R.....	1	1			

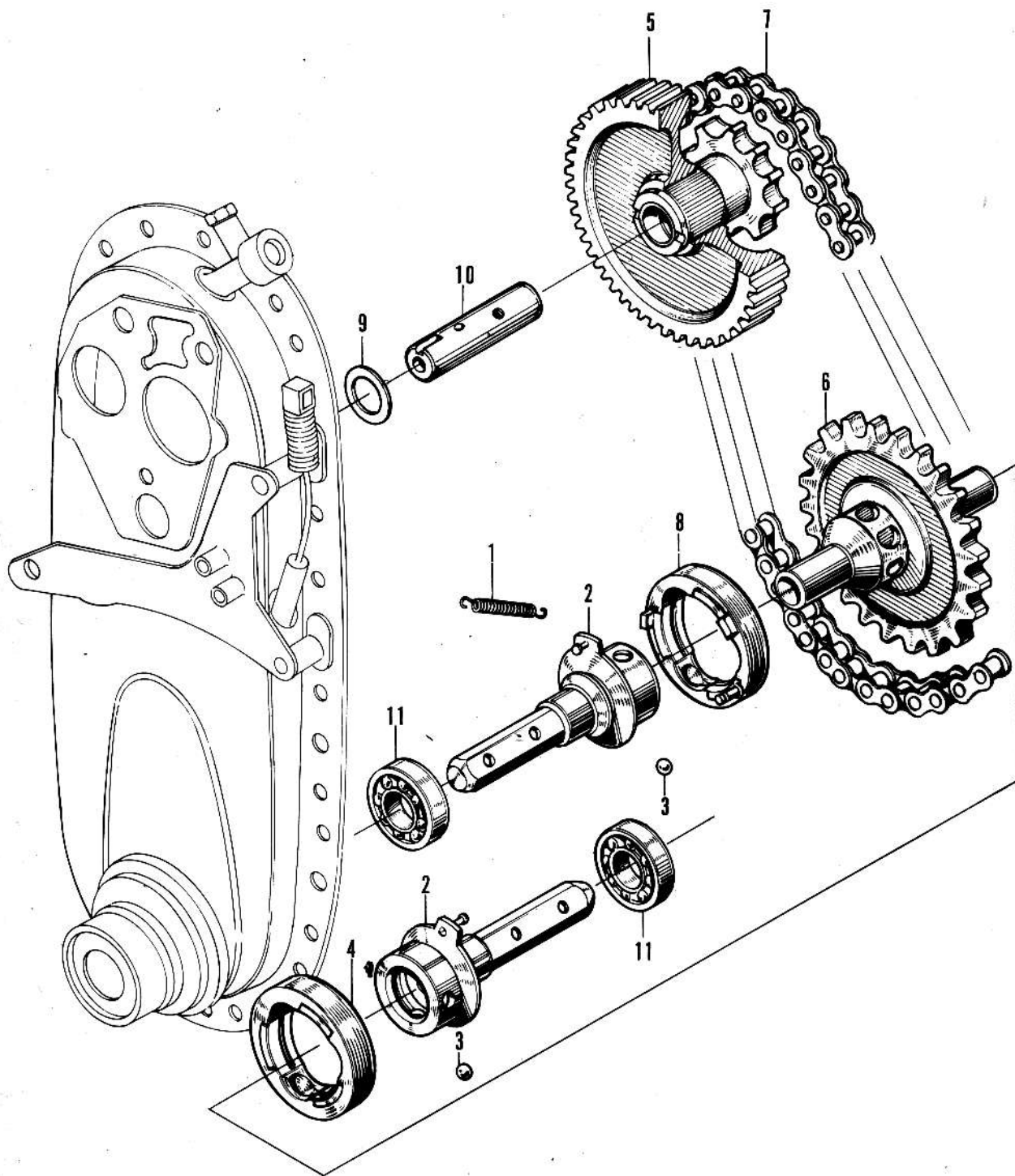
# F-13 Oil Pump



### F-13 Oil Pump

Ref. No.	Part No.	Description	Reqd. No.		No. Used on		News No.
			D	F	From	To	
1	90432-704-000	WASHER, locking, 6 mm .....	1	1			
2	15420-704-000	FILTER, oil .....	1	1			
3	15211-704-000	BODY, oil pump .....	1	1			
4	25235-704-000	PIN, 4.5 mm .....	1	1			
5	25275-704-000	STOPPER, ball .....	1	1			
6	25231-704-000	PLUNGER, oil pump .....	1	1			
7	90452-704-000	WASHER B, thrust .....	1	1			
8	25280-704-000	ARM, pump connecting .....	1	1			
9	23411-704-000	GEAR, low .....	1	1			
10	92000-06006	BOLT, hex., 6x6 .....	2	2			
11	92000-06012	BOLT, hex., 6x12 .....	1	1			
12	96211-07000	BALL, steel, #7 .....	1	1			
13	94510-20120	CIR-CLIP, 20 mm .....	1	1			
14	96140-62040	BEARING, ball, 6204R .....	1	1			
15	91301-704-000	O-RING, 6 mm .....	1	1			

# F-14 Wheel Shaft

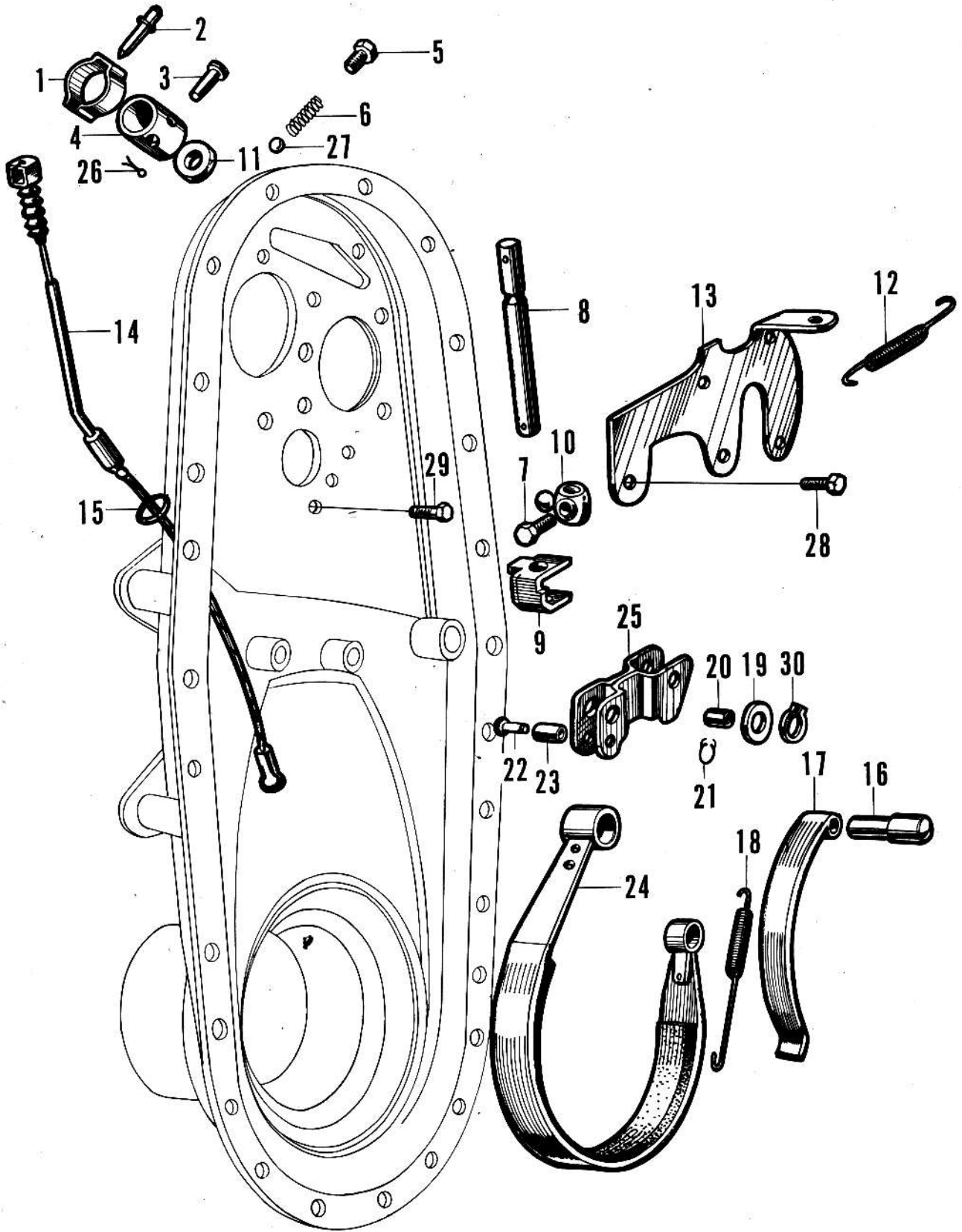


### F-14 Wheel Shaft

Ref. No.	Part No.	Description	Reqd. No.		No. Used on		News No.
			D	F	From	To	
1	40171-709-000	SPRING, outer return .....	2	2			
2	<del>R. 23370-709-010</del>	SHAFT, wheel .....	2	2			
3	90921-704-000	BALL, steel, 5/8 .....	6	6			
4	40110-704-030	OUTER, right side clutch .....	1	1			
5	23670-714-000	SPROCKET, drive.....	1	1			
6	<u>23680-709-000</u>	SPROCKET, driven .....	1	1			1015001
7	23651-704-000	CHAIN, drive .....	1	1			
8	40120-704-030	OUTER, left side clutch .....	1	1			
9	90451-704-000	WASHER A, thrust, 20 mm .....	1	1			
10	23671-704-000	SHAFT, drive sprocket .....	1	1			
11	96100-62060	BEARING, ball, 6206 .....	2	2			
<p>2, 1/2 arbre de roue R<sup>te</sup> 23030. 709-000 jusqu'au N° transmission 714-1015000  " " R<sup>te</sup> 23370 709 020 " " à partir 714-1015001</p>							



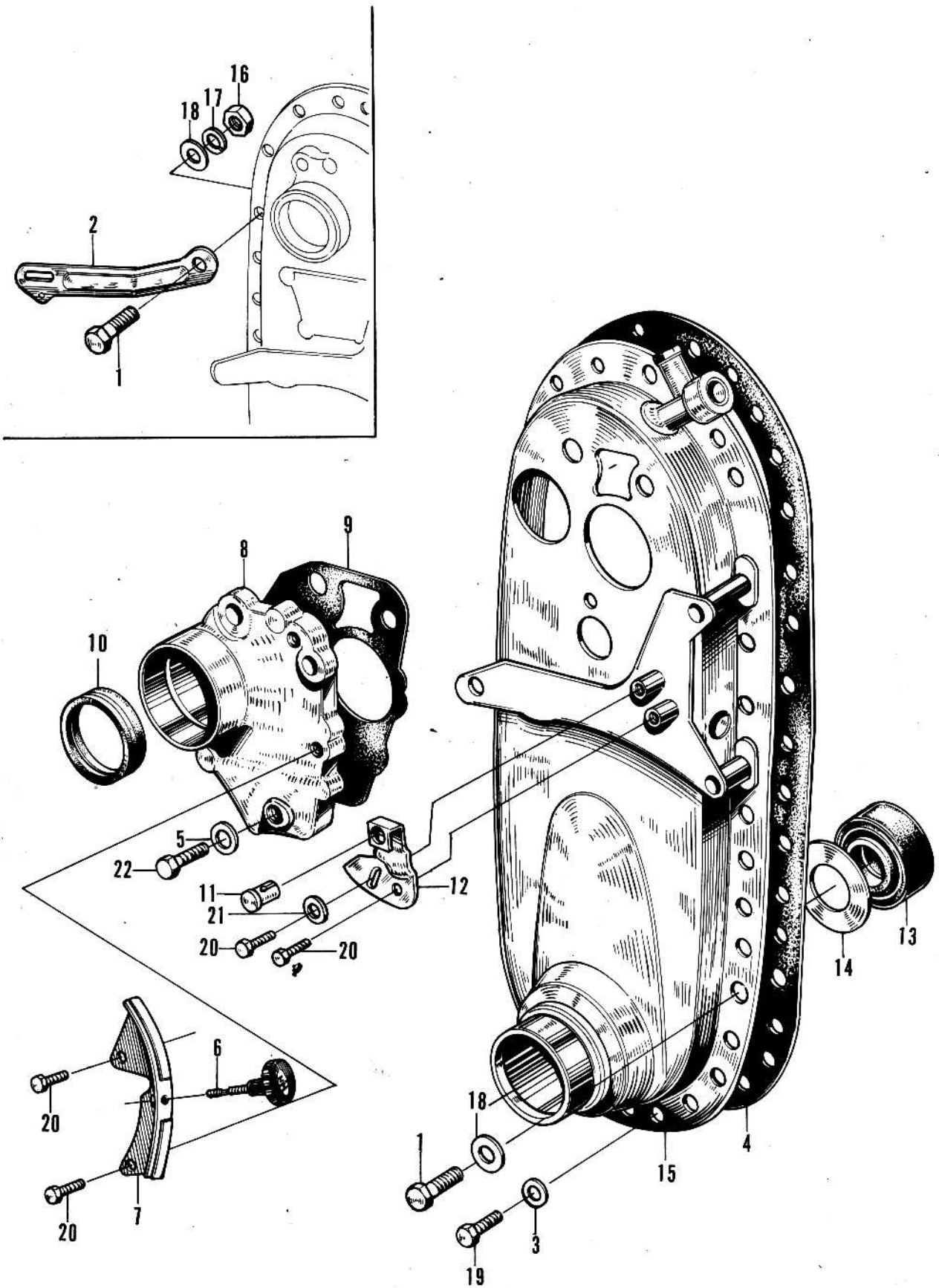
# F-15 Change Shaft Brake Shoe



## F-15 Change Shaft Brake Shoe

Ref. No.	Part No.	Description	Reqd. No.		No. Used on		News No.
			D	F	From	To	
1	54172-704-000	CLIP, joint pin .....	1	1			
2	54171-704-000	JOINT, 5×25 .....	1	1			
3	24517-704-000	PIN, 5 φ .....	1	1			
4	24531-704-010	JOINT, change shaft.....	1	1			
5	90086-700-000	BOLT, hex., 8×8 .....	1	1			
6	24271-700-000	SPRING, ball setting.....	1	1			
7	90021-700-010	SCREW, fork setting.....	1	1			
8	24511-704-010	SHAFT, change .....	1	1			
9	24301-704-000	LOCK, inter.....	1	1			
10	24611-704-000	LEVER, change .....	1	1			
11	91201-704-000	OIL-SEAL, PJ10227 .....	1	1			
12	24631-704-000	SPRING, change shaft return.....	1	1			
13	23902-704-000	STOPPER, bearing .....	1	1			
14	40310-704-010	WIRE A, side cluth .....	1	1			
15	91301-704-000	O-RING, 6 mm .....	1	1			
16	23662-704-000	SHAFT, tensioner .....	1	1			
17	23661-704-000	TENSIONER, chain .....	1	1			
18	40175-704-000	SPRING, brake return .....	1	1			
19	90472-704-000	WASHER B, 10 mm .....	1	1			
20	40153-704-000	COLLAR B, brake band .....	1	1			
21	90601-704-000	CIR-CLIP, 6 mm .....	1	1			
22	40151-704-000	PIN, brake shoe .....	1	1			
23	40152-704-000	COLLAR B, brake band .....	1	1			
24	40140-704-020	SHOE, brake .....	1	1			
25	40130-704-010	ARM, brake.....	1	1			
26	94201-16100	PIN, cotter, 1,6 mm .....	1	1			
27	96211-08000	BALL, steel, # 8 .....	1	1			
28	92000-06014	BOLT, hex., 6×14.....	5	5			
29	92000-06012	BOLT, hex., 6×12.....	9	9			
30	94510-10100	CIR-CLIP, 10 mm .....	1	1			

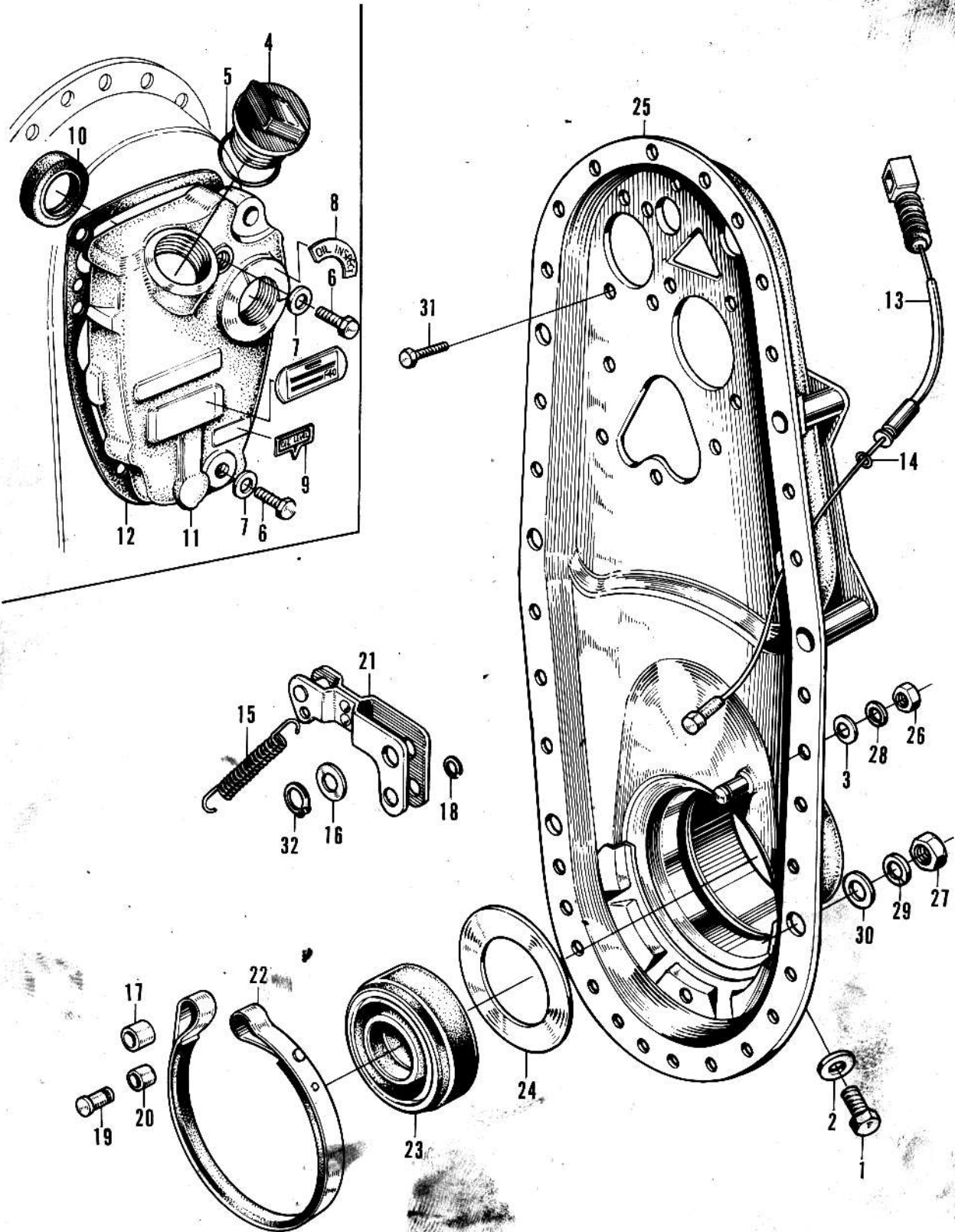
# F-16 Left Case



## F-16 Left Case

Ref. No.	Part No.	Description	Reqd. No.		No. Used on		News No.
			D	F	From	To	
1	90081-704-010	BOLT, knock, 10 mm .....	1	1			
2	11801-709-010	STAY, engine .....	1	1			
3	90474-704-000	WASHER, 6×17 .....	23	23			
4	21191-709-000	PACKING, case .....	1	1			
5	90488-700-000	WASHER A, 8 mm .....	1	1			
6	21821-704-000	LATCH, belt cover .....	1	1			
7	21811-704-020	STAY, belt cover .....	1	1			
8	21221-704-010	CASE, left bearing (Not sold) .....	(1)	(1)			
		21221-704-010 is set in the 21210-709-000 (CASE, left)					
9	21225-704-020	PACKING, left bearing case .....	1	1			
10	91203-704-000	OIL-SEAL, PJ 58, 72, 6 .....	1	1			
11	22875-704-000	STOPPER, outer .....	1	1			
12	22874-704-000	BRACKET, outer stopper .....	1	1			
13	91205-703-000	WATER-SEAL, 30, 55, 20 .....	1	1			
14	90473-704-000	WASHER, 31 mm .....	1	1			
15	21210-709-000	CASE, left .....	1	1			
16	94001-10000	NUT, hex., 10 mm .....	1	1			
17	94111-10000	WASHER, spring, 10 mm .....	1	1			
18	94101-10000	WASHER, plain, 10 mm .....	1	1			
19	92000-06018	BOLT, hex., 6×18 .....	23	23			
20	92000-06012	BOLT, hex., 6×12 .....	4	4			
21	94101-06000	WASHER, plain, 6 mm .....	1	1			
22	92000-08025	BOLT, hex., 8×25 .....	1	1			

F-17 Right Case



## F-17 Right Case

Ref. No.	Part No.	Description	Reqd. No.		No. Used on		News No.
			F	D	From	To	
1	90082-704-000	BOLT, knock, 10×12 .....	1	1			
2	90472-703-305	WASHER, 10 mm .....	1	1			
3	90474-704-000	WASHER, 6×12 .....	23	23			
4	25620-805-611	CAP, reduction oil.....	1	1			
5	91301-805-000	O-RING, 66×2,7 φ.....	1	1			
6	25911-700-000	BOLT, oil check.....	2	2			
7	90481-250-000	WASHER A, 6,5 mm .....	2	2			
8	21121-704-620	MARK A, oil check .....	1	1			
9	21122-704-620	MARK B, oil check .....	1	1			
10	91204-704-005	OIL-SEAL, PJ 26, 43, 8 .....	1	1			
11	21121-704-010	CASE, right bearing (Not sold)..... 21121-704-010 is set in the 21110-709-000 (CASE, right)	(1)	(1)			
12	21126-704-010	PACKING, right bearing case .....	1	1			
13	40310-704-010	WIRE A, side clutch .....	1	1			
14	91301-704-000	O-RING, 6 mm .....	1	1			
15	40175-704-000	SPRING, break return .....	1	1			
16	90472-704-000	WASHER B, 10 mm .....	1	1			
17	40153-704-000	COLLAR B, break band .....	1	1			
18	90601-704-000	CIR-CLIP, 6 mm .....	1	1			
19	40151-704-000	PIN, break shoe .....	1	1			
20	40152-704-000	COLLAR A, break band .....	1	1			
21	40130-704-010	ARM, break .....	1	1			
22	40140-704-020	SHOE, break .....	1	1			
23	91205-703-000	WATER-SEAL, 30, 55, 20 .....	1	1			
24	90473-704-000	WASHER, 31 mm .....	1	1			
25	21110-714-000	CASE, right.....	1	1			
26	94001-06000	NUT, hex., 6 mm .....	23	23			
27	94001-10000	NUT, hex., 10 mm .....	2	2			
28	94111-06000	WASHER, spring, 6 mm .....	23	23			
29	94111-10000	WASHER, spring, 10 mm .....	2	2			
30	94101-10000	WASHER, plain, 10 mm .....	2	2			
31	92000-06012	BOLT, hex., 6×12.....	12	12			
32	94510-10100	CIR-CLIP, 10 mm .....	1	1			

## PART NO. INDEX

Part No.	Page	Part No.	Page	Part No.	Page
11000		13201-823-000	39	16129-823-004	17
11200-823-010	35	13211-809-000	39	16134-707-004	19
11200-823-650	35	13211-823-000	39	16134-823-004	15
11210-822-000	33	13311-823-010	37	16138-823-004	13
11210-822-650	33	13321-809-010	39	16140-822-004	17
11211-822-000	35	13321-811-620	39	16141-823-004	13
11220-815-000	35	13321-811-630	39	16141-843-004	17
11801-709-010	73	13321-811-640	39	16151-823-004	13
11901-714-000	59	13321-811-650	39	16152-822-004	13
11951-809-000	35	13321-811-660	39	16161-809-004	15
		13381-809-010	39	16161-841-004	19
		13381-823-000	39	16161-843-004	17
12000				16162-843-004	19
12100-823-030	33	14000		16163-805-004	15
12100-823-060	33	14101-823-303	41		19
12100-823-060	33	14210-823-010	41	16164-701-004	13
12100-823-650	33	14210-823-650	41	16164-822-650	13
12100-823-653	33	14311-823-000	37	16165-822-004	13
12100-823-653	33	14711-823-020	41	16165-843-004	17
12201-823-000	33	14721-823-020	41	16166-823-004	13
12201-823-650	33	14731-809-010	41		17
12201-823-780	33	14751-823-010	41	16167-823-004	15
12251-823-000	33	14771-805-000	41	16167-843-004	19
12361-823-000	33	14775-809-000	41	16168-823-004	13
12361-823-010	33				17
12361-823-650	33	15000		16169-823-004	15
12361-823-651	33	15211-704-000	67	16170-823-004	13
12381-823-000	11	15420-704-000	67		17
13000		15611-805-010	33	16172-822-004	13
13000-823-010	37	15620-815-000	35		17
13000-823-630	37	15719-809-020	33	16173-260-004	15
13000-823-690	37	15719-823-000	33	16173-823-004	15
13000-823-700	37	15761-704-010	55		19
13000-823-710	37			16174-045-004	17
13000-823-720	37	16000		16174-823-004	13
13011-809-010	37	16100-823-000	13		17
13021-809-010	37	16100-823-650	13	16175-260-004	13
13031-809-010	37	16100-823-780	17	16176-822-004	19
13041-809-010	37	16111-822-004	17	16176-823-004	15
13101-823-000	37	16122-822-004	13	16177-822-004	13
13102-823-000	37				19
13103-823-000	37	16125-707-004	19	16181-823-004	15
13104-823-000	37	16125-823-004	15		19
13111-809-010	37	16126-823-004	13	16182-823-004	15
13115-809-010	37				19
13201-809-010	39			16183-843-004	17
				16184-822-004	17
				16185-822-004	17
				16186-823-004	13

## PART NO. INDEX

Part No.	Page	Part No.	Page	Part No.	Page
	17	16591-714-000	21	17672-801-010	7
16186-823-760	13	16591-809-000	21	17673-703-030	7
16187-822-004	13	16591-810-000	21	17673-801-000	7
	17	16921-815-004	7	17681-822-000	7
16188-707-004	17	16921-822-650	7	17831-704-000	49
16189-056-004	17	16931-822-004	7	17850-709-000	49
16190-707-004	17	16950-822-000	7	17851-704-000	49
16191-707-004	17	16950-822-650	7	17852-709-000	49
16192-707-004	19	16955-815-004	7	17854-709-000	49
16193-843-780	17	16957-703-004	7	17855-704-010	49
16211-823-303	13	16957-822-650	7	17856-700-000	49
	33	16958-703-004	7	17860-709-000	49
16229-823-000	13	16961-815-014	7	17862-701-010	49
	33	16961-822-650	7	17891-700-000	49
16235-805-000	15	16972-822-014	9	17910-709-000	49
	17	16972-822-651	9	17910-709-680	49
16237-709-000	33	16973-815-014	9		
16237-822-650	33	16975-815-004	9	18000	
16261-714-000	55	16978-815-004	9		
16263-714-000	55	16978-822-650	9	18300-714-000	21
16265-704-000	55	16981-822-000	9	18300-823-000	21
16267-709-000	55	16983-815-000	9	18351-809-000	21
16268-714-000	55			18361-822-020	21
16269-822-000	11	17000		18361-823-000	21
	13			18363-822-010	21
	17			18363-822-650	21
16269-822-000	55	17211-809-010	11	18365-714-000	21
16511-805-000	41	17212-810-000	11	18365-823-000	21
16515-805-000	41	17220-823-000	11	18365-823-650	21
16521-823-000	41	17231-809-010C	11		
16535-809-010	41	17400-823-660C	11	19000	
16535-810-000	41	17401-704-000	55		
16541-809-020	27	17401-823-810	11	19600-823-000	25
16541-810-000	27	17402-822-660	11	19600-823-010	25
16545-823-000	27	17403-822-810	11	19602-823-000	25
16545-823-650	27	17441-704-010	55	19611-823-000C	25
16551-803-000	27	17442-704-621	55	19901-807-000	25
16551-806-000	27	17470-709-010	55		
16560-810-000	25	17475-709-000	55	21000	
16560-810-030	25	17500-823-000N	7		
16570-809-000	25	17500-823-780S	7	21110-714-000	75
16570-810-010	25	17500-829-020N	7	21121-704-010	75
16575-809-020	25	17617-822-000N	7	21121-704-620	75
16575-810-010	25	17617-843-780	7	21122-704-620	75
16579-809-000	25	17631-822-000	7	21126-704-010	75
16579-810-000	25	17650-805-000	7	21191-709-000	73
16581-823-000	25	17650-806-000	7	21210-709-000	73
16586-809-010	25	17650-808-000	7	21221-704-010	73
16586-810-000	25	17650-822-600	7		
16587-809-010	25	17671-822-650	7		
16587-810-000	25	17672-703-010	7		



## PART NO. INDEX

Part No.	Page	Part No.	Page	Part No.	Page
21225-704-020	73	24000		28451-809-810	23
21801-709-000	63			28455-822-810	23
21811-704-020	73	24111-704-000	65	28461-805-810	23
21821-704-000	73	24211-704-000	65	28465-809-810	23
		24221-704-000	65	28465-822-650	23
		24271-700-000	65	28470-822-000	25
			71	28471-809-810	23
22000		24301-704-000	71		
		24511-704-010	71	30000	
22100-704-000	47	24517-704-000	71		
22411-704-000	47	24531-704-010	71	30210-823-000	29
22511-704-000	47	24611-704-000	71	30210-823-010	29
22515-704-000	47	24631-704-000	71	30210-823-650	29
22521-714-000	47			30210-823-651	29
22522-714-000	47	25000		30280-823-000	29
22525-704-010	47			30280-823-004	29
22526-714-000	47	25231-704-000	67	30280-823-010	29
22527-714-000	47	25235-704-000	67	30280-823-650	29
22531-709-000	47	25275-704-000	67	30280-823-651	29
22560-704-020	47	25280-704-000	67	30280-829-004	29
22570-704-020	47	25620-805-611	75	30280-829-010	29
22580-704-010	47	25911-700-000	75	30560-823-000	29
22585-704-020	47			30560-823-004	29
22595-704-000	47	28000		30560-823-010	29
22874-704-000	73			30560-823-650	29
22875-704-000	73	28400-823-650C	23	30560-823-651	29
22881-704-000	47	28400-823-810C	23	30565-822-000	29
		28410-809-810	23	30600-815-000	29
23000		28410-823-810	23	30600-815-020	29
		28420-809-810	23	30600-822-000	29
23161-714-000	47	28420-809-820	23		
23192-704-000	47	28420-822-650	23	31000	
23193-704-000	47	28420-822-810	23		
23211-714-000	65	28423-809-810	23	31121-823-004	29
23220-704-020	65	28423-810-810	23	31121-823-650	29
23281-704-000	65	28430-823-000	27	31125-822-000	29
23370-709-010	69	28430-823-010	27	31125-822-650	29
23411-704-000	67	28430-823-650	27	31511-823-810	31
23571-709-000	65	28430-823-651	27	31521-829-158	29
23580-704-000	65	28441-809-810	23	31521-840-158	29
23651-704-000	69	28441-810-810	23		
23661-704-000	71	28441-822-650	23	32000	
23662-704-000	71	28441-822-810	23		
23670-714-000	69	28445-809-810	23	32300-805-820	25
23671-704-000	69	28445-810-810	23	32905-704-000	63
23680-709-000	69	28445-822-650	23	32951-705-000	29
23715-704-303	65		23	32951-805-020	31
23716-703-000	65	28446-809-810	23		
23902-704-000	71	28446-810-810	23		

## PART NO. INDEX

Part No.	Page	Part No.	Page	Part No.	Page
33000			75	54471-704-020	53
33100-714-000C	59			54510-704-000	53
33110-704-000	59	42000		54581-704-000	53
33120-704-000	59			54584-704-602	51
33130-714-000C	59	42400-703-010	61	54585-704-600	51
		42701-703-810N	61	54587-704-000	53
		42702-703-810N	61	54611-704-010	49
34000		42751-703-811	61	54621-704-010	49
34901-030-003	59	42752-703-812	61	54710-709-000	49
				54710-709-680	49
				54712-709-000	49
				54771-704-600	51
		50000			
35000		50110-709-000C	53	59000	
35100-704-000	53	50110-709-680C	53	59101-704-811W	43
35111-704-000	53	50211-704-000	53	59301-704-000C	43
35112-701-000	53	50221-704-000	53	59351-704-000C	43
		50610-704-000	57	59492-704-000	43
36000		50671-703-810	57		
36100-811-000	25	50691-703-000	57		
36101-843-780	25			61000	
36151-805-641	25	51000		61110-714-000N	61
36152-805-640	31	51110-714-010	63	61151-704-000	61
		51510-704-000	63	61210-714-000N	61
38000		51521-704-000	63	61711-704-000	61
38100-704-000	63	51620-703-010	57	61771-704-000	61
		53000		63000	
40000		53110-709-000	49	63610-714-000N	45
40110-704-030	69	53110-709-680	51	63681-704-020	45
40120-704-030	69	53150-709-000	49	63687-704-000	45
40130-704-010	71	53150-709-680	51	63692-704-020	45
	75	53211-704-020	49	63693-704-000	45
40140-704-020	71	53211-704-680	51		
	75	53321-704-000	49	66000	
40151-704-000	71	53510-704-681	51	66111-704-010	53
	75	53571-704-000	53		
40152-704-000	71			80000	
	75	54000			
40153-704-000	71	54140-704-000	53	80151-703-810	57
	75	54140-704-820	53	80311-703-810	57
40171-709-000	69	54150-704-020	53	80311-704-810	57
40175-704-000	71	54171-704-000	71	80315-704-810	57
	75	54172-704-000	71		
40310-704-010	71				

## PART NO. INDEX

Part No.	Page	Part No.	Page	Part No.	Page
83000		90026-704-020	47		75
83010-805-000	21	90061-822-600	33	90642-822-650	9
83111-704-000C	57	90061-822-651	33	90651-703-000	61
83121-704-000C	57	90081-704-010	73	90652-700-000	61
83151-805-000	21	90082-704-000	75	90701-200-000	33
	57	90086-700-000	71	90705-259-020	33
		90091-704-020	59	90741-704-000	47
		90132-703-000	49	90741-805-000	39
		90133-704-010	63	90753-703-000	61
87000		90134-704-000	43	90754-703-000	61
87101-805-000	25	90141-703-600	57	90921-704-000	69
87101-829-000	9	90148-700-000	57		
87521-823-660	25	90284-809-000	25	91000	
87521-823-661	25	90284-810-000	25	91001-809-000	37
87521-823-740	25	90351-700-000	49	91002-809-000	37
87521-823-790	25	90352-704-000	55	91101-809-020	39
87521-829-600	25	90381-703-000	21	91201-704-000	71
87523-843-790	7	90401-822-000	7	91201-809-003	37
87524-822-000	25	90401-822-650	7	91201-809-015	37
87534-822-660	11	90402-822-000	33	91201-809-015	37
87535-816-660	11	90402-822-650	33	91202-704-010	47
	53	90407-259-000	35	91202-809-003	37
		90432-704-000	67	91202-809-005	37
		90433-704-000	47	91203-704-000	73
		90445-700-000	7	91204-704-005	75
88000		90451-040-000	65	91205-703-000	73
88110-700-000	49	90451-704-000	69		
88171-701-000	49	90452-704-000	67	91301-704-000	71
		90453-704-000	65		75
		90471-703-000	65	91301-805-000	33
89000		90471-704-010	47		75
89000-709-000	57	90472-703-305	75	91302-700-000	41
89206-805-000	21	90472-704-000	71	91302-704-000	47
89214-700-000	57		75	91303-704-000	47
89216-704-000	57	90473-704-000	73	91304-704-000	47
89216-829-010	21		75	91305-703-000	65
89219-805-000	21	90474-704-000	73		
	57		75	98000	
		90481-250-000	75	98016-56740	35
		90481-809-810	23	98076-54710	35
		90481-810-810	23	98076-57640	35
		90481-822-650	23		
90000		90482-809-810	23		
90001-823-000	33	90482-810-810	23		
90001-823-650	33	90482-822-650	23		
90002-822-000	7	90488-700-000	73		
90002-822-650	7	90521-714-000	63		
90008-809-000	41	90581-704-010	45		
90015-822-650	35	90583-704-000	43		
90021-700-010	71	90584-704-810	51		
		90601-704-000	71		

## PART NO. INDEX

Part No.	Page	Part No.	Page	Part No.	Page
99000					
99001-110140	21 57				
99114-8230820	13				
99114-8230850	13				
99114-823090	19				
99114-8230900	13 19				
99114-8230920	15 19				
99114-8230950	15 19				
99114-8230980	15				
99114-8231000	15 19				
99124-8230400	13				
99124-8230450	13				
99124-8430350	19				
99124-8430380	19				
99134-8230700	13				
99134-8231500	17				
99134-8360900	19				

## ALPHABETICAL INDEX

Description	Page	Description	Page
<b>(A)</b>		<b>(C)</b>	
AIR-CLEANER ASSY., OIL BACH	11	CAMSHAFT	41
ARM, ADJUSTER	25	CAP, FUEL TANK	7
ARM, ADJUSTER	25	CAP, FUEL TANK	7
ARM, BRAKE	71	CAP, FUEL TANK	7
ARM, BREAK	75	CAP, OIL	33
ARM, GOVERNOR	27	CAP, OIL	35
ARM, GOVERNOR	27	CAP, REDUCTION OIL	75
ARM, PLMP CONNECTING	67	CAP, SUD TANK	7
		CAP, TOOL	57
		CARBURETOR ASSY	17
<b>(B)</b>		CARBURETOR ASSY	13
BAG, TOOL	57	CARBURETOR ASSY	13
BAG, TOOL	21	CASE, AIR CLEANER	55
BALL, STEEL, 5/8	69	CASE, AIR CLEANER	11
BAND, CHANGE WIRE	53	CASE, LEFT	73
BAND, CONNECTING TUBE	55	CASE, LEFT BEARING (NOT SOLD)	73
BAR A, DRAG	57	CASE, RIGHT	75
BAR B, DRAG	57	CASE, RIGHT BEARING (NOT SOLD)	75
BAR, DRAG	57	CASE, STARTER	23
BAR, MUDGUARD	61	CASE, STARTER	23
BARREL, CYLINDER	33	CENTER, CAMSHAFT	41
BARREL, CYLINDER	33	CENTER, CAMSHAFT	41
BARREL, CYLINDER	33	CENTER, GOVERNOR WEIGHT	41
BARREL, CYLINDER	33	CHAIN, DRIVE	69
BARREL, CYLINDER	33	CHAMBER, FUEL	7
BARREL, CYLINDER	33	CHAMBER, FUEL	7
BASE, ATTACHMENT GUIDE	35	CIR-CLIP, 6MM	71
BEARING, BALL, 6306	37	CIR-CLIP, 6MM	75
BEARING, BALL, 6306S	37	CLEANER BODY	11
BINDER, CORD	63	CLIP, FUEL CLRE, 7MM	9
BOARD, COLUMN DISH	53	CLIP, JOINT PIN	71
BODY, COCK	7	CLIP, PISTON PIN	37
BODY, COCK	7	CLIP, 16	57
BODY, HEAD LIGHT (SCARLET)	59	COCK ASSY., FUEL	7
BODY, OIL PUMP	67	COCK ASSY., FUEL	7
BODY, SWING	51	COIL ASSY., EXCITER	29
BOLT, CLAMP	49	COIL ASSY., EXCITER	29
BOLT, CLAMP, CYLINDER HEAD	33	COIL, HIGH TENSION	29
BOLT, CLAMP, CYLINDER HEAD	33	COIL, HIGH TENSION	29
BOLT, DRAIN PLUG, 12MM	35	COIL, HIGH TENSION	29
BOLT, DRIVEN PULLEY LOCKING	47	COIL, HIGH TENSION (DENSO)	29
BOLT, HEX., 10X123	49	COIL, HIGH TENSION (KOKUSAN)	29
BOLT, HEX., 12X35	63	COIL, HIGH TENSION (KOKUSAN)	29
BOLT, HEX., 12X38	57	COIL, LAMP, 6V	31
BOLT, HEX., 12X50	57	COLLAR A, BRAKE BAND	75
BOLT, HEX., 12X75	43	COLLAR B, BRAKE BAND	71
BOLT, HEX., 8X8	71	COLLAR C, BRAKE BAND	71
BOLT, KNOCK, 10MM	73	COLLAR D, BRAKE BAND	75
BOLT, KNOCK, 10X12	75	COLLAR, FREE	47
BOLT, OIL CHECK	47	COLLAR, P.T.C. SHAFT	65
BOLT, PULLDY SETTING	47	COLLAR, SHAFT	65
BOLT, STOPPER, CAMSHAFT CENTER	41	COLUMN, HANDLE	53
BOLT, STUD, 8X45	33	COLUMN, HANDLE	53
BOLT, STUD, 8X45 (CR)	33	CONDENSER ASSY., BREAKER	29
BOLT, TANK SETTING	7	CONDENSER ASSY., BREAKER	29
BOLT, TANK SETTING	7	CONDENSER ASSY., BREAKER	29
BOLT, WING, 5MM	17	CONSENT ASSY	25
BOX, HITCH	57	COVER B, DRIVE PULLEY	47
BOX, TOOL	57	COVER, AIR CLEANER	11
BRACKET, OUTER STOPPER	73	COVER, BELT, (IVORY WHITE)	45
BREAKER ASSY	29	COVER, COCK	17
BREAKER ASSY	29	COVER, COLUMN	53
BRIDGE, HANDLE	51	COVER, EXHAUST PIPE	21
BRIDGE, HANDLE	49	COVER, EXHAUST PIPE	21
BULB, HEAD LIGHT	59	COVER, EXHAUST PIPE	21
		COVER, FAN	25
		COVER, FAN	25



## ALPHABETICAL INDEX

Description	Page	Description	Page
<b>(K)</b>		<b>(O)</b>	
KEY, DRIVE	47	O-RING, 20MM	65
KEY, 7X7X33	39	OIL-PAN	35
KNOB, ADJUSTER	25	OIL-PAN	35
KNOB, ADJUSTER	25	OIL-PAN, CLEANER	11
KNOB, COMBINATION SWITCH	53	OIL-SEAL, FJ 26, 43, 8	75
 		OIL-SEAL, FJ 58, 72, 6	73
KNOB, STARTER	28	OIL-SEAL, FJ10227	71
<b>(L)</b>		OIL-SEAL, FJ28408	47
LATCH B, BELT COVER	45	O-RIG, 26X2.7	33
LATCH, BELT COVER	73	O-RING	7
LEVER ASSY., THROTTLE	49	O-RING, 2.8MM	13
LEVER B, LEFT SIDE CLUTCH	49	O-RING, 20MM	47
LEVER B, RIGHT SIDE CLUTCH	49	O-RING, 21MM	9
 		O-RING, 22MM	17
LEVER, CHANGE	71	O-RING, 23.5MM	41
LEVER, COCK	9	O-RING, 29MM	15
LEVER, COCK	9	O-RING, 29MM	17
LEVER, THROTTLE	49	O-RING, 3.5MM	19
LIFTER, VALVE	41	O-RING, 3.5MM	13
 		O-RING, 3.6	17
LIGHT ASSY., HEAD (SCARLET)	59	O-RING, 35MM	47
LIGHT-UNIT, HEAD	59	O-RING, 42MM	47
LOCK, HANDLE	51	O-RING, 5.7MM	19
LOCK, INTER	71	O-RING, 5.7MM	15
 		O-RING, 6MM	71
<b>(M)</b>		O-RING, 6MM	75
MAGNETO, FLYWHEEL (DENSO)	29	O-RING, 66X2,7	75
MAGNETO, FLYWHEEL (KOKUSAN)	29	O-RING, 8.8MM	19
MAGNETO, FLYWHEEL (KOKUSAN)	29	OUTER, LEFT SIDE CLUTCH	69
MAR, TOP	25	OUTER, RIGHT SIDE CLUTCH	69
MARK A, OIL CHECK	75	<b>(P)</b>	
 		PACKING, AIR CLEANER	17
MARK D, OIL CHECK	75	PACKING, AIR CLEANER	13
MARK, FUEL TANK CAP	7	PACKING, AIR CLEANER	55
MARK, MARINE TYPE	25	PACKING, AIR CLEANER	55
MARK, TOP	9	PACKING, AIR CLEANER	11
MIRROR ASSY., EACH	49	PACKING, BREATHER CASE	33
 		PACKING, BREATHER CASE	33
MUDGUARD	61	PACKING, CAP	7
MUFFLER	21	PACKING, CARBURETOR INSULATOR	33
MUFFLER	21	PACKING, CARBURETOR INSULATOR	13
<b>(N)</b>		PACKING, CASE	73
NEEDLE, JET	13	PACKING, COCK	9
NEEDLE, JET	17	PACKING, DRAIN COCK	35
NOZZLE, MAIN	15	PACKING, FIBER, 6MM	7
NOZZLE, MAIN	19	PACKING, FIBER, 7.2MM	15
NUT B, ADJUSTING	49	PACKING, FLPER 6.2MM	17
 		PACKING, FUEL FILTER	7
NUT, ADJUSTER ARM SHIFTING	25	PACKING, LEFT BEARING CASE	73
NUT, ADJUSTER ARM SHIFTING	25	PACKING, MUFFLER	21
NUT, HEX., 6MM	21	PACKING, OIL PAN HOLE COVER	35
NUT, RING	7	PACKING, RIGHT BEARING CASE	75
NUT, RING	7	PAN, OIL	55
 		PIECE, PRESSURE	51
NUT, SPECIAL, 6MM	25	PIN, BRAKE SHOE	71
NUT, SPECIAL, 6MM	25	PIN, BRAKE SHOE	75
NUT, WING, 6	55	PIN, CRANK	39
NUT, WING, 8	49	PIN, CRANK	39
 		PIN, FLOAT ARM	17
		PIN, FLOAT ARM	13
		PIN, KNOCK, 7X12	33
		PIN, KNOCK, 8.5X11	33
		PIN, PISTON	37
		PIN, ROUND HEAD, 7X55	61

## ALPHABETICAL INDEX

Description	Page	Description	Page
PIN, ROUND HEAD, 8X15,5	49	RATCHET, STARTER	23
PIN, ROUND HEAD, 9X54	61	RATCHET, STARTER	23
PIN, SNAP, 7	61	RETAINER, ROLLER	39
PIN, SNAP, 9	61	RETAINER, ROLLER	39
PIN, VARYING PITCH WEIGHT	47	RETAINER, VALVE SPRING	41
PIN, WEIGHT HOLDER	57	RING-SET, PISTON (S.T.D.)	37
PIN, 4.5MM	67	RING-SET, PISTON (0.25)	37
PIN, 5	71	RING-SET, PISTON (0.50)	37
PIPE OVERFLOW	17	RING-SET, PISTON (0.75)	37
PIPE, BREATHER	55	ROD A, CHANGE	53
PIPE, LEFT HANDLE	51	ROD A, CHANGE	53
PIPE, LEFT HANDLE	49	ROD B, CHANGE	53
PIPE, OIL	35	ROD, ADJUSTING	25
PIPE, OVERFLOW	15	ROD, ADJUSTING	25
PIPE, RIGHT HANDLE	51	ROD, CONNECTING	39
PIPE, RIGHT HANDLE	49	ROD, CONNECTING	39
PISTON (S.T.D.)	37	ROD, GOVERNOR	27
PISTON (0.25)	37	ROD, GOVERNOR	27
PISTON (0.50)	37	ROLLER, ROD, 3X16.8	39
PISTON (0.75)	37	ROLLER, VARYING PITCH WEIGHT	47
PIVOT, ADJUSTING ARM	25	ROPE, RECOIL STARTER	23
PIVOT, ADJUSTING ARM	25	ROPE, STARTER	25
PLATE FRICTION	23	RUBBER B, CUSHION	45
PLATE FRICTION	23	RUBBER, FILTER	7
PLATE, ADJUSTER	51	RUBBER, TANK CUSHION	7
PLATE, BOTTOM GUIDE	59		
PLATE, CAUTION AIR CLEANER	11		
PLATE, CAUTION OIL BATH	11		
PLATE, COMEINATION	63	(S)	
PLATE, CUSHION RUBBER SIDE	45		
PLATE, DESCRIPTION	25	SCREW, AIR JET PLUG	19
PLATE, DESCRIPTION	25	SCREW, AIR JET PLUG	15
PLATE, DESCRIPTION	25	SCREW, COVER SUPPORT	59
PLATE, DESCRIPTION	25	SCREW, DRAIN	13
PLATE, FRICTION	23	SCREW, DRAIN	13
PLATE, MUFFLER SEPARAT	21	SCREW, FORK SETTING	71
PLATE, MUFFLER SEPARAT	21	SCREW, KNOE SETTING	53
PLATE, OIL BATH CAUTION	53	SCREW, NEEDLE SET	13
PLATE, OIL BATH DESCRIPTION	55	SCREW, NEEDLE SET	17
PLATE, SEPALATE	55	SCREW, PILCT	15
PLATE, SPEED INDICATER	25	SCREW, PILCT	19
PLATE, THRCTTLE LEVER ADJUSTING	49	SCREW, PILCT STOP	15
PLATE, THRLST	47	SCREW, PLUG	17
PLUG, SPARKING (E-4H)	35	SCREW, PLUG	13
PLUG, SPARKING (E-6H)	35	SCREW, PLUG	17
PLUG, SPARKING (E-7H)	35	SCREW, PLUG	13
PLUNGER, OIL PLMP	67	SCREW, THROTTLE SHAFT GUIDE	19
PROTECTOR	11	SCREW, THROTTLE STOP	19
PROTECTOR, MUFFLER	21	SCREW, THROTTLE STOP	15
PROTECTOR, MUFFLER	21	SEAL, OIL, PJ3C759 (ARAI)	37
PULLEY A, DRIVEN	47	SEAL, OIL, PJ3C759 (N.O.K.)	37
PULLEY A, DRIVE	47	SEAL, OIL, PJ3C779 (ARAI)	37
PULLEY B, DRIVE	47	SEAL, OIL, PJ3C779 (N.O.K.)	37
PULLEY B, DRIVEN	47	SEAT, THROTTLE LEVER END	49
PULLEY, RECOIL STARTER	23	SEAT, VALVE SPRING	41
PULLEY, RECOIL STARTER	23	SEAT-SET, VALVE	17
PULLEY, RECOIL STARTER	23	SET, FLOAT VALVE	15
PULLEY, RECOIL STARTER	23	SET, VACUUM PISTON	17
PULLEY, STARTER	27	SET, VACUUM PISTON	13
PULLEY, STARTER	27	SET-CLIP, FLCAT CHAMBER	17
PULLEY, STARTER	27	SET-CLIP, FLCUT CHEMBER	13
PULLEY, STARTER	27	SHAFT, CHANGE	71
		SHAFT, DRIVE	65
		SHAFT, DRIVE SPROCKET	69
		SHAFT, GOVERNOR ARM	41
		SHAFT, GOVERNOR ARM	41
		SHAFT, MISSION	65
		SHAFT, PIPE	61
		SHAFT, REVERSE	65
		SHAFT, SHIFT, FCHK	65
RACE, INNER	47		
RACE, OUTER	47		
RATCHET, STARTER	23		
RATCHET, STARTER	23		

(R)



## ALPHABETICAL INDEX

Description	Page	Description	Page
SHAFT, TENSICNER	71	(T)	
SHAFT, THROTTLE LEVER	49	TANK, FUEL	7
SHAFT, WHEEL	69	TANK, FUEL	7
SHOE, BRAKE	71	TANK, FUEL	7
SHOE, BREAK	75	TENSIONER, CHAIN	71
SLIDER, GOVERNCR	41	TERMINAL ASSY., HIGH TENSION	29
SOCKET ASSY., FEAD LIGHT	59	TERMINAL ASSY., HIGH TENSION	29
SOCKET, 10X14	57	TIRE, 400X6	61
SPANNER, DCUELE HEAD, 10X14	21	TOOL ASSY	21
SPANNER, OFEN END, 10X14	57	TOOL ASSY.,	57
SPANNER, 17MM	21	TUBE, AIR CLEANER CONNECTING	55
SPRING, AIR SCREW	19	TUBE, BREATHER	11
SPRING, AIR SCREW	15	TUBE, FUEL LEVEL	7
SPRING, BALL SETTING	71	TUBE, HIGH TENSION RUBBER	29
SPRING, BALL SETTING	65	TUBE, 400X6	61
SPRING, BRAKE RETURN	71	(V)	
SPRING, BREAK RETURN	75	VALVE, EXHAUST	41
SPRING, CHANGE SHAFT RETURN	71	VALVE, INLET	41
SPRING, CLLTCH FREE	47	VALVE-SET, FLOAT	19
SPRING, COCK LEVER	9	VELT, VARYING FITCH	47
SPRING, COIL	17	(W)	
SPRING, DIAPHRAGM	17	WASHER A	23
SPRING, FRICTION	23	WASHER A	23
SPRING, FRICTION	23	WASHER A	23
SPRING, GOVERNCR	27	WASHER A, THRUST, 20MM	69
SPRING, GOVERNCR	27	WASHER A, 6,5MM	75
SPRING, HITCH JOINT ADJUSTING	57	WASHER A, 8MM	73
SPRING, OUTER RETURN	69	WASHER A, 8MM	47
SPRING, SET	23	WASHER B	23
SPRING, SET	23	WASHER B	23
SPRING, STAND	63	WASHER B	23
SPRING, STARTER RETURN	23	WASHER B, THRUST	67
SPRING, THROTTLE LEVER	49	WASHER B, 10MM	75
SPRING, THROTTLE LEVER	17	WASHER B, 10MM	71
SPRING, THROTTLE STOP	19	WASHER B, 8MM	65
SPRING, THROTTLE STOP	15	WASHER, LOCKING	47
SPRING, VACULM PISTON	13	WASHER, ENGINE RED	63
SPRING, VACUUM PISTON	13	WASHER, FIEER, 3MM	17
SPRING, VACULM PISTON	17	WASHER, FIEER, 3MM	13
SPRING, VALVE	41	WASHER, FIEER, 7.2MM	13
SPRING, VARYING PITCH	47	WASHER, FIEER, 7.2MM	17
SPRING, WEIGHT RETURN	47	WASHER, FIEER, 7.2MM	19
SPRING, WIRE RETURN	47	WASHER, FLCAT CHAMBER	17
SPROCKET, DRIVE	69	WASHER, FLCAT CHAMBER	13
SPROCKET, DRIVEN	69	WASHER, HEAD, 8MM	33
STAND	63	WASHER, HEAD, 8MM	33
STARTER ASSY., RECOIL	23	WASHER, LOCKING, 6MM	67
STARTER ASSY., RECOIL	23	WASHER, SPECIAL, 8MM	45
STAY, AIR CLEANER	55	WASHER, TANK	7
STAY, BELT COVER	73	WASHER, TANK	7
STAY, ENGINE	73	WASHER, THROTTLE LEVER	49
STAY, FENDER	61	WASHER, THRUST, 17MM	65
STAY, THROTTLE LEVER	49	WASHER, THRUST, 22MM	65
STEY, OVER FLOW PIPE	33	WASHER, 10MM	75
STEY, OVER FLOW PIPE	33	WASHER, 11X28	51
STOPPER, BALL	67	WASHER, 12	43
STOPPER, BEARING	71	WASHER, 31MM	75
STOPPER, CHANGE ROD	53	WASHER, 31MM	73
STOPPER, LATCH	45	WASHER, 6X12	75
STOPPER, LEVER	9	WASHER, 6X17	73
STOPPER, LEVER	9	WATER-SEAL, 30, 55, 20	73
STOPPER, OLTER	73		
STOPPER, RCPE	23		
STOPPER, RCPE	23		
STOPPER, 12MM	43		
SWITCH ASSY., COMBINATION	53		
SWITCH, ENGINE STOP	25		

## ALPHABETICAL INDEX

Description	Page	Description	Page
WATER-SEAL, 30, 55, 20	75		
WEIGHT, GOVERNOR	41		
WEIGHT, MAIN FRONT	43		
WEIGHT, SUB FRONT	43		
WEIGHT, VARYING PITCH	47		
WEIGHT, WHEEL (400DX9)	43		
WHEEL A, 3CODX5 (LVORY WHITE)	61		
WHEEL B, 3CODX9 (LVORY WHITE)	61		
WIRE A, SIDE CLUTCH	75		
WIRE A, SIDE CLUTH	71		
WIRE B, SIDE CLUTCH	49		
WIRE B, SIDE CLUTCH	49		
WIRE, CHANGE	53		
WIRE, THROTTLE	49		
WIRE, THROTTLE	49		
WRENCH, SPARK PLUG	21		
WRENCH, SPARKING PLUG	57		