



HONDA

TILLER MODEL F30



2

PARTS LIST

HONDA GENUINE PARTS

NEW AND OLD PART NUMBERS ARE PRINTED SIMULTANEOUSLY

APPLICATION OF PARTS LIST

This is a list of parts used for the Honda 1000

Model 1000

The parts listed in this list are for the Honda 1000

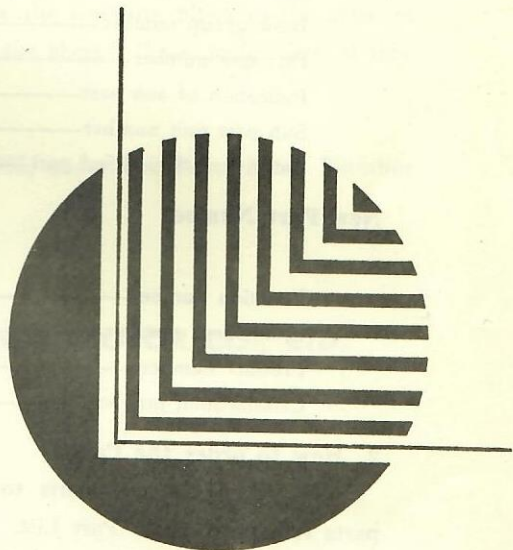
and are not to be used on any other model.

Quantity

Part Number

HONDA

GENUINE PARTS



APPLICATION OF PARTS LIST

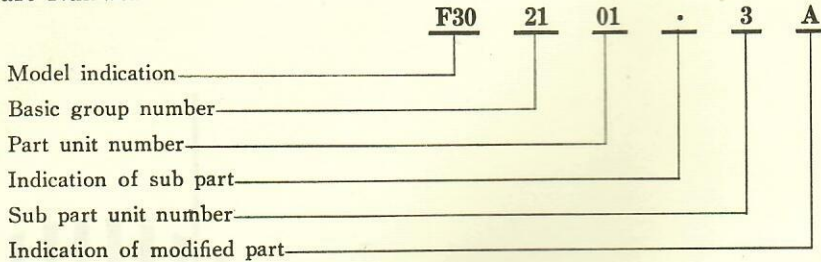
This is a list of parts used for Honda Tiller
Model F30

1. How to see the Part Number

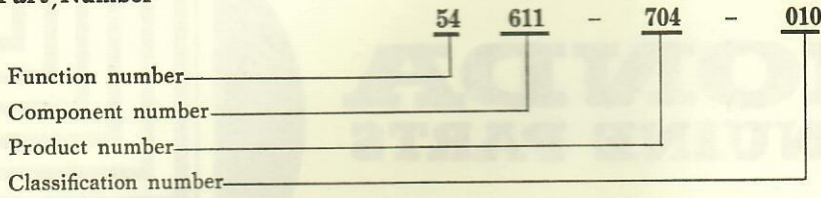
The composition of parts number is as follows.

(Example)

Old Part Number



New Part Number



2. How to order the Part

When ordering parts to us, please let us know the correct number of the parts referring to this Part List.

This Parts List is written with both old and new part numbers, and the time of change over to new part numbers will be advised by Parts News. Until that time, please place an order with us under the old part numbers, but the parts written with only new part numbers should be ordered under the new part numbers.

When changing parts, check the engine number, then the parts used can be found.

Old Part No.	New Part No.	Description	No. Reqd. • • • •	No. Used on		Notes No.
				From	To	
G301302A...	13311-805-010	CRANKSHAFT, right	1 1 1 1	G30-1000001 ...	G30-1008574	
G301302B...	13311-805-020	CRANKSHAFT, right	1 1 1 1	G30-1008575		

If the engine number G30-1000888 is stamped on the machine, the part G301302A (13311-805-010) should be used as the G301302A (13311-805-010) is applied from G30-1000001 to G30-1008574. The part which has no description of final machine is the current part.

The engine number is stamped on cylinder barrel, and the frame number is stamped on the right bearing case.

3. About the News Number

News number is the same as the Parts News issued by Honda Service Center, Refer to the Parts News when you need to know the contents of modified Parts and related in detail.

4. This Parts List can be revised with Revision Sheet

For the future modification of parts and parts to be provided "Revision Sheet" will be issued every three months. Please do put the Revision Sheet in the place of each page according to instructions shown under the sheet. If you make sure of this, the Parts List will be kept always up-to-date.

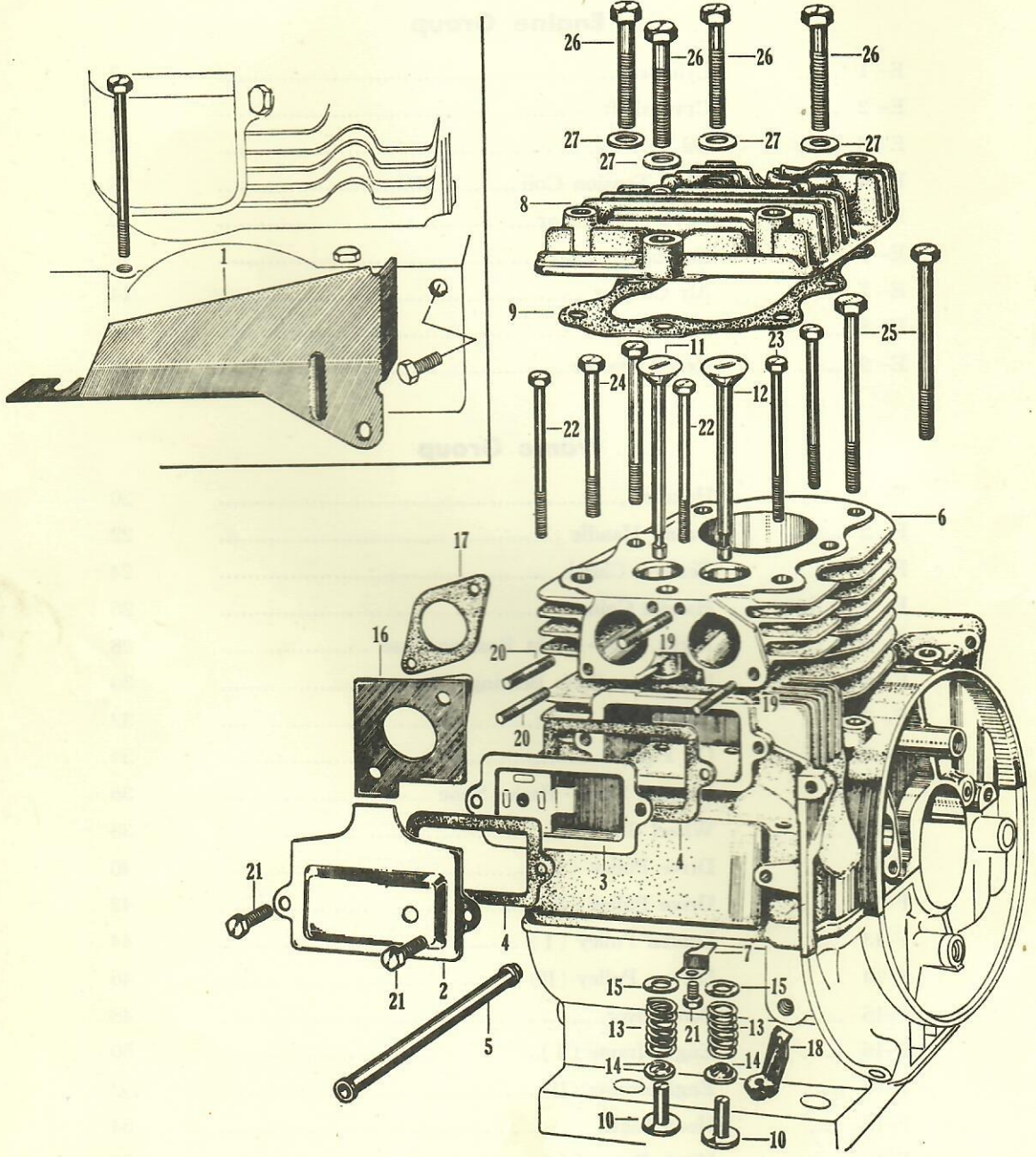
5. This Parts List was compiled at 1st April 1966, under the Parts News Number H/054, G/070.

HONDA MOTOR CO., LTD.

CONTENTS

Ref. No.	Nomenclature	Page
Engine Group		
E- 1	Cylinder	2
E- 2	Crankshaft.....	4
E- 3	Oil Pan	6
E- 4	High Tension Coil	8
E- 5	Cover • Governor.....	10
E- 6	Carburetor.....	12
E- 7	Air Cleaner	14
E- 8	Fuel Tank.....	16
E- 9	Recoil Starter	18
Frame Group		
F- 1	Handle	20
F- 2	Swing Handle	22
F- 3	Tension Clutch.....	24
F- 4	Handle Column	26
F- 5	Right Case • Right Bearing Case	28
F- 6	Left Case • Left Bearing Case.....	30
F- 7	Mission	32
F- 8	Oil Pump	34
F- 9	Change Shaft • Brake Shoe	36
F-10	Wheel Shaft	38
F-11	Drive Pulley (I).....	40
F-12	Drive Pulley (II).....	42
F-13	Driven Pulley (I)	44
F-14	Driven Pulley (II)	46
F-15	Belt Cover.....	48
F-16	Engineframe (I).....	50
F-17	Engineframe (II).....	52
F-18	Head Light	54
F-19	Hitch Box • Tool.....	56
F-20	Engine Stay • Tension Arm.....	58
F-21	Wheel.....	60
F-22	Weight	62

CONTENTS



E-1 Cylinder

HONDA

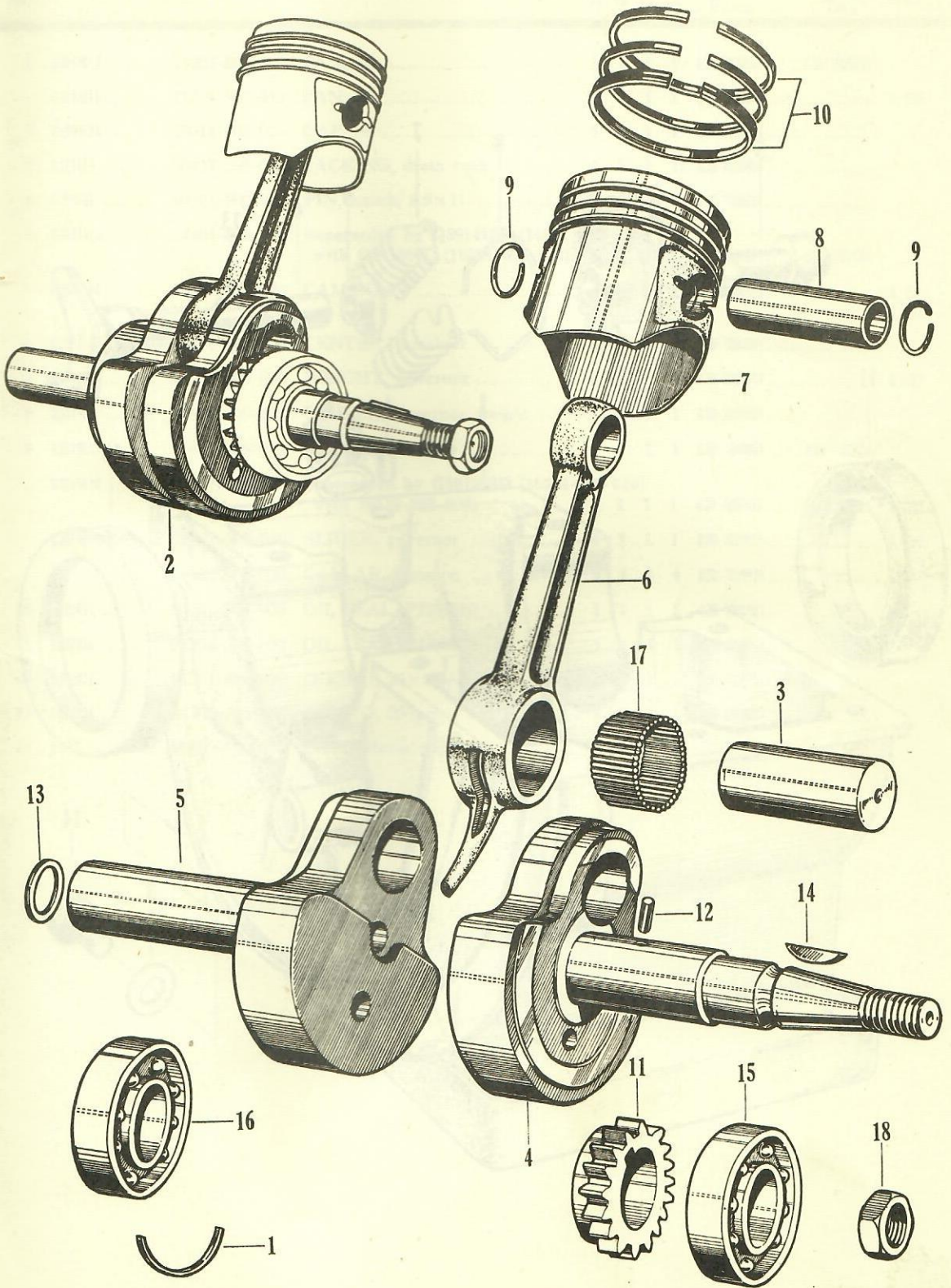
Ref. No.	Old Part No.	New Part No.	Description	No. Reqd. VI VII VIII IX	No. Used on		News No.
					From	To	
1	F301120	11901-704-000	PLATE, bottom guide.....	1 - 1 -	F30-100001		
2	G301123A	12361-805-010	COVER, tappet	1 1 1 1	G30-1000001	G30-1021746	
	G301123B	12361-805-020	COVER, tappet	1 1 1 1	G30-1021747		G/046
3	G301124	15710-805-000	BREATHER ASSY.	1 1 1 1	G30-1000001		
4	G301125	15719-805-000	PACKING, breather case	2 2 2 2	G30-1000001		
5	G301127A	15761-805-010	PIPE, breather	1 1 1 1	G30-1000001	G30-1021746	
	G301127B	15761-805-020	PIPE, breather	1 1 1 1	G30-1021747		G/046
6	G301201C	12100-805-030	BARREL, cylinder	1 1 1 1	G30-1000001	G30-1000080	
	G301201E	12100-805-050	BARREL, cylinder	1 1 1 1	G30-1000081		G/035
7	G301202	15751-805-000	SEPARATOR, oil.....	1 1 1 1	G30-1000001		
8	G301206	12201-805-000	HEAD, cylinder.....	1 1 1 1	G30-1000001		
9	G301207	12251-805-000	GASKET, cylinder head.....	1 1 1 1	G30-1000001		
10	G301516	14731-805-000	LIFTER, valve	2 2 2 2	G30-1000001		
11	G301546	14711-805-000	VALVE, inlet	1 1 1 1	G30-1000001		
12	G301547	14721-805-000	VALVE, exhaust	1 1 1 1	G30-1000001		
13	G301548	14751-805-000	SPRING, valve	2 2 2 2	G30-1000001		
14	G301549	14771-805-000	RETAINER, valve spring	2 2 2 2	G30-1000001		
15	G301550A	14775-805-010	SEAT, valve spring	2 2 2 2	G30-1000001		
16	G303702B	16211-805-020	INSULATOR, carburetor	1 1 1 1	G30-1000001		
17	G303703	16229-805-000	PACKING, insulator	1 1 1 1	G30-1000001		
18	G2Y303955	16591-805-820	HOLDER, throttle wire	1 1 1 1	G35-1000001		
19	ST630	92700-06030	STUD, 6×30	2 2 2 2			
20	ST638	92700-06038	STUD, 6×38	2 2 2 2			
21	BH612	92000-06012	BOLT, hex., 6×12	3 3 3 3			
22	BH670	92000-06070	BOLT, hex., 6×70	3 4 3 4			
23	BH675	92000-06075	BOLT, hex., 6×75	1 - 1 -			
24	BH870	92000-08070	BOLT, hex., 8×70	2 2 2 2			
25	BH895	92000-08095	BOLT, hex., 8×95	2 2 2 2			
26	BH1050	92000-10050	BOLT, hex., 10×50	4 4 4 4			
27	WP10	94101-10000	WASHER, flat, 10 mm.....	4 4 4 4			

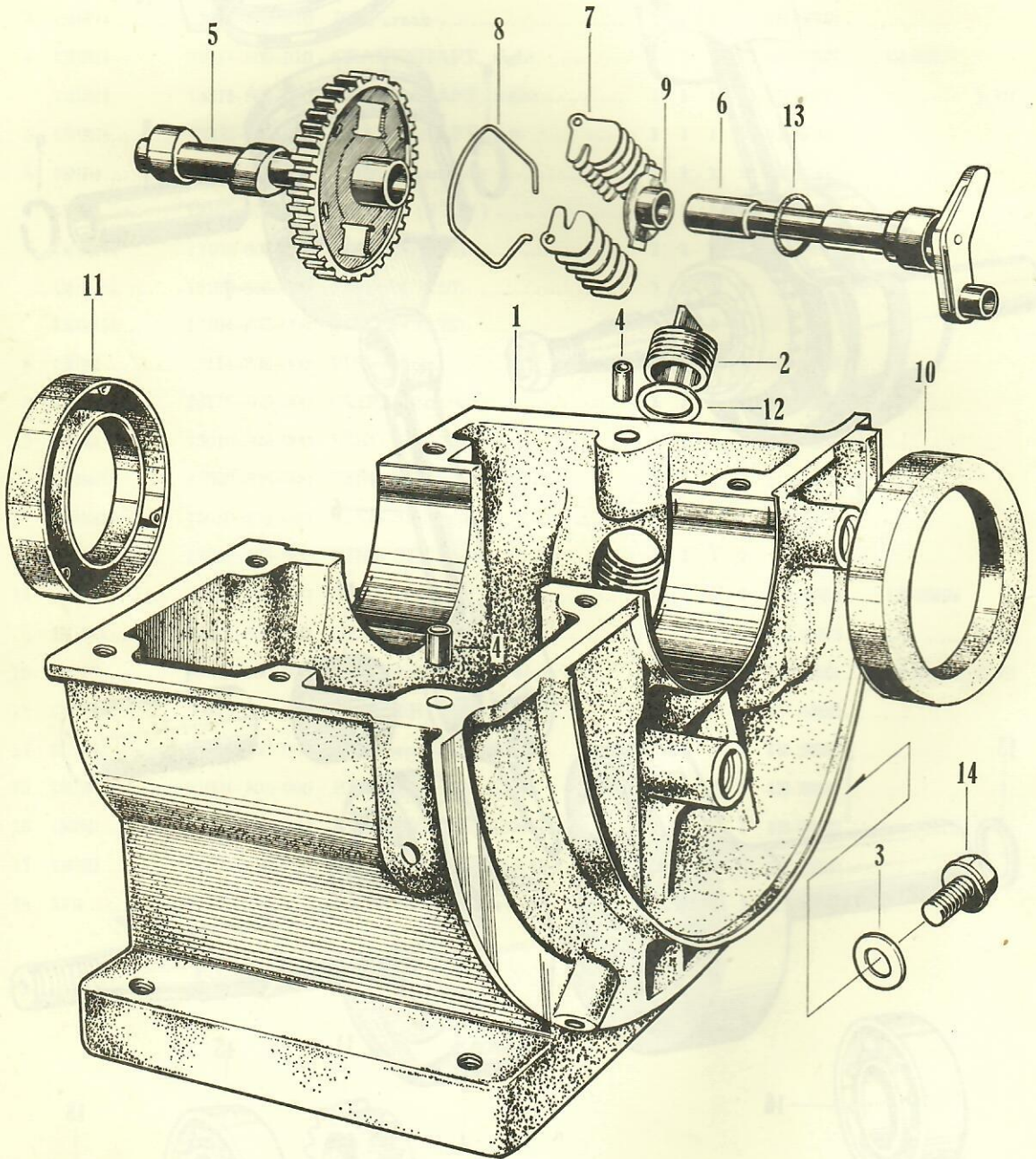
ENGINE GROUP

E-2 Crankshaft

HONDA

Ref. No.	Old Part No.	New Part No.	Description	No. Req'd.				No. Used on		News No.
				VI	VII	VIII	IX	From	To	
1	F1901186	13491-701-000	SET RING, ball bearing	1	1	1	1	G30-1000001		
2	G301300B	13000-805-020	CRANKSHAFT ASSY.	1	1	1	1	G30-1000001		
3	G301301A	13381-805-010	PIN, crank	1	1	1	1	G30-1000001		
4	G301302A	13311-805-010	CRANKSHAFT, right	1	1	1	1	G30-1000001	G30-1008574	
	G301302B	13311-805-020	CRANKSHAFT, right	1	1	1	1	G30-1008575		G/033
5	G301303B	13321-805-020	CRANKSHAFT, left	1	1	1	1	G30-1000001		
6	G301316	13201-805-000	ROD, connecting	1	1	1	1	G30-1000001		
7	G301361	13101-805-000	PISTON (S.T.D.)	1	1	1	1	G30-1000001		
	G301361S1	13102-805-000	PISTON (0.25)	1	1	1	1			
	G301361S2	13103-805-000	PISTON (0.50)	1	1	1	1			
	G301361S3	13104-805-000	PISTON (0.75)	1	1	1	1			
8	G301362	13111-805-000	PIN, piston	1	1	1	1	G30-1000001		
9	G301363	13115-805-000	CLIP, piston pin	1	1	1	1	G30-1000001		
10	G301364	13010-805-000	RING SET, piston (S.T.D.)	1	1	1	1	G30-1000001		
	G301364S1	13020-805-000	RING SET, piston (0.25)	1	1	1	1			
	G301364S2	13030-805-000	RING SET, piston (0.50)	1	1	1	1			
	G301364S3	13040-805-000	RING SET, piston (0.75)	1	1	1	1			
11	G301401	14311-805-000	GEAR, timing	1	1	1	1	G30-1000001	G30-1008574	
	G301401A	14311-805-010	GEAR, timing	1	1	1	1	G30-1008575		G/033
12	G901409	90719-200-000	PIN, knock, timing sprocket	1	1	1	1	G30-1000001	G30-1008574	G/033
13	GY302330	90473-505-810	WASHER, 8 mm	-	1	-	1	G30-1000001		
14	G712813	90741-253-000	KEY, woodruff, 4 mm	1	1	1	1	G30-1000001		
15	G302901	91001-805-000	BEARING, ball, 6205S	1	1	1	1	G30-1000001		
16	G302902	91002-805-000	BEARING, ball, 6206SHS	1	1	1	1	G30-1000001		
17	G302922	91101-805-000	ROLLER, rod, 2.48x18.8	36	36	36	36	G30-1000001		
18	NH14	94001-14000	NUT, hex., 14 mm	1	1	1	1			





E-3 Oil Pan

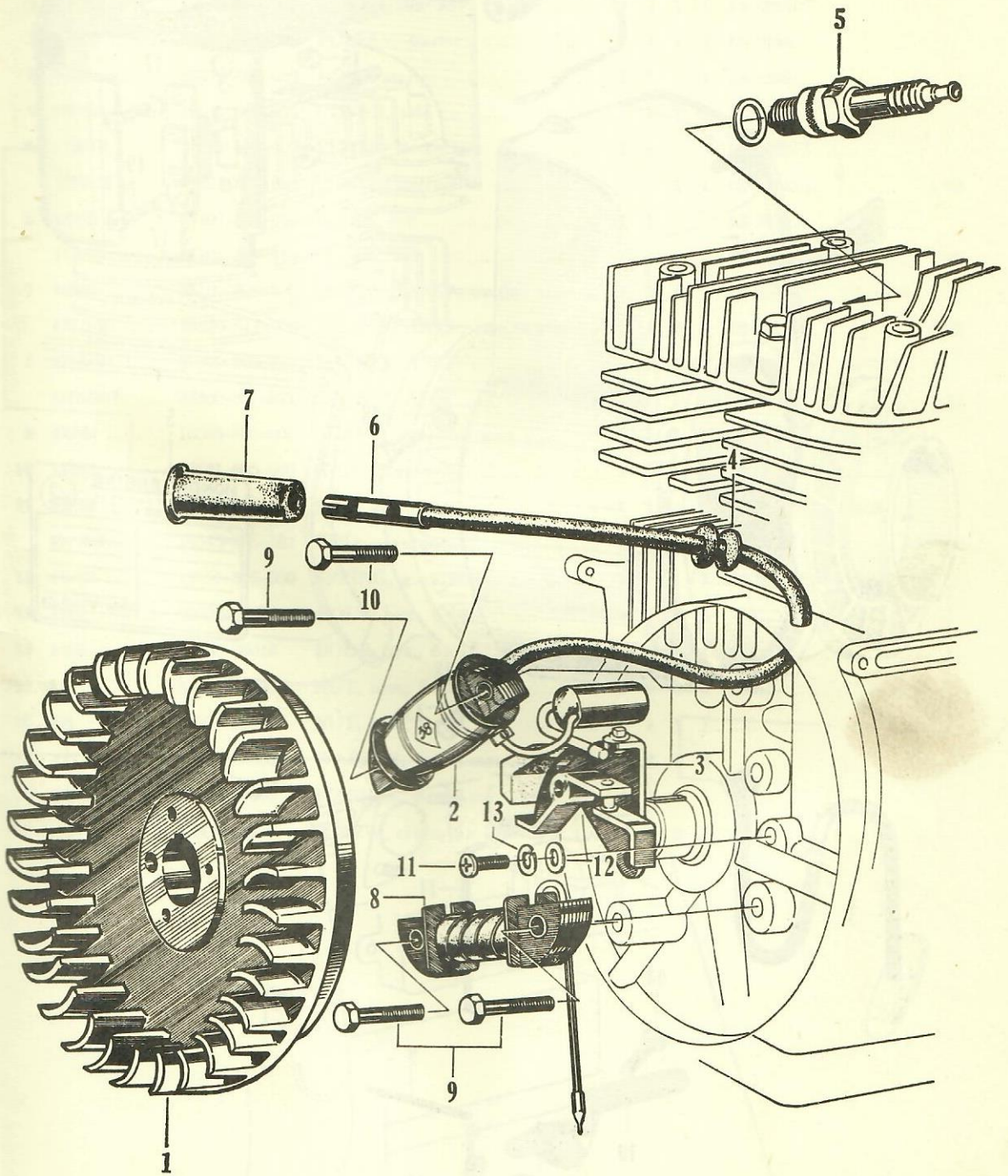
HONDA

Ref. No.	Old Part No.	New Part No.	Description	No. Req'd.				No. Used on		News No.
				VI	VII	VIII	IX	From	To	
1	G301101B.....	11200-805-020	PAN, oil	1	1	1	1	G30-1000001	G30-1000080	
	G301101D.....	11200-805-040	PAN, oil	1	1	1	1	G30-1000080		G/035
2	G301103A.....	15611-805-010	CAP, oil	1	1	1	1	G30-1000001		
3	C121169	90407-259-000	PACKING, drain cock	1	1	1	1	G30-1000001		
4	G901182	90701-200-000	PIN, knock, 8.5×11	2	2	2	2	G30-1000001		
5	G301416A.....	14101-805-010	Superseded by G301416C (14101-805-030) with G301903C (16521-805-030)	1	1	1	1	G30-1000001	G30-1007634	
	G301416C.....	14101-805-030	CAMSHAFT	1	1	1	1	G30-1007635		G/027 G/037
6	G301417	14210-805-000	CENTER, camshaft	1	1	1	1	G30-1000001		
7	G301901	16511-805-000	WEIGHT, governor.....	8	8	8	8	G30-1000001		G/027
8	G301902	16515-805-000	CENTER, governor weight	1	1	1	1	G30-1000001		
9	G301903A.....	16521-805-010	SLIDER, governor	1	1	1	1	G30-1000001	G30-1007634	
	G301903C.....	16521-805-030	Superseded by G301903D (16521-805-040) with 16523-805-000)	1	1	1	1	G30-1007635	G30-1029925	G/027
	G301903D.....	16521-805-040	SLIDER, governor	1	1	1	1	G30-1029926		G/060
		16521-805-000	COLLAR, distance	4	4	4	4	G30-1029926		G/060
10	G302931	91201-805-000	OIL SEAL, PJ255510	1	1	1	1	G30-1000001		
11	G302934	91204-805-000	OIL SEAL, PJ306510	1	1	1	1	G30-1000001		
12	G302951	91301-805-000	O RING, 26×2.7φ	1	1	1	1	G30-1000001		
13	F602954	91305-703-000	O RING, 20 mm	1	1	1	1	G30-1000001		
14	BD12	92800-12000	BOLT, drain cock.....	1	1	1	1			

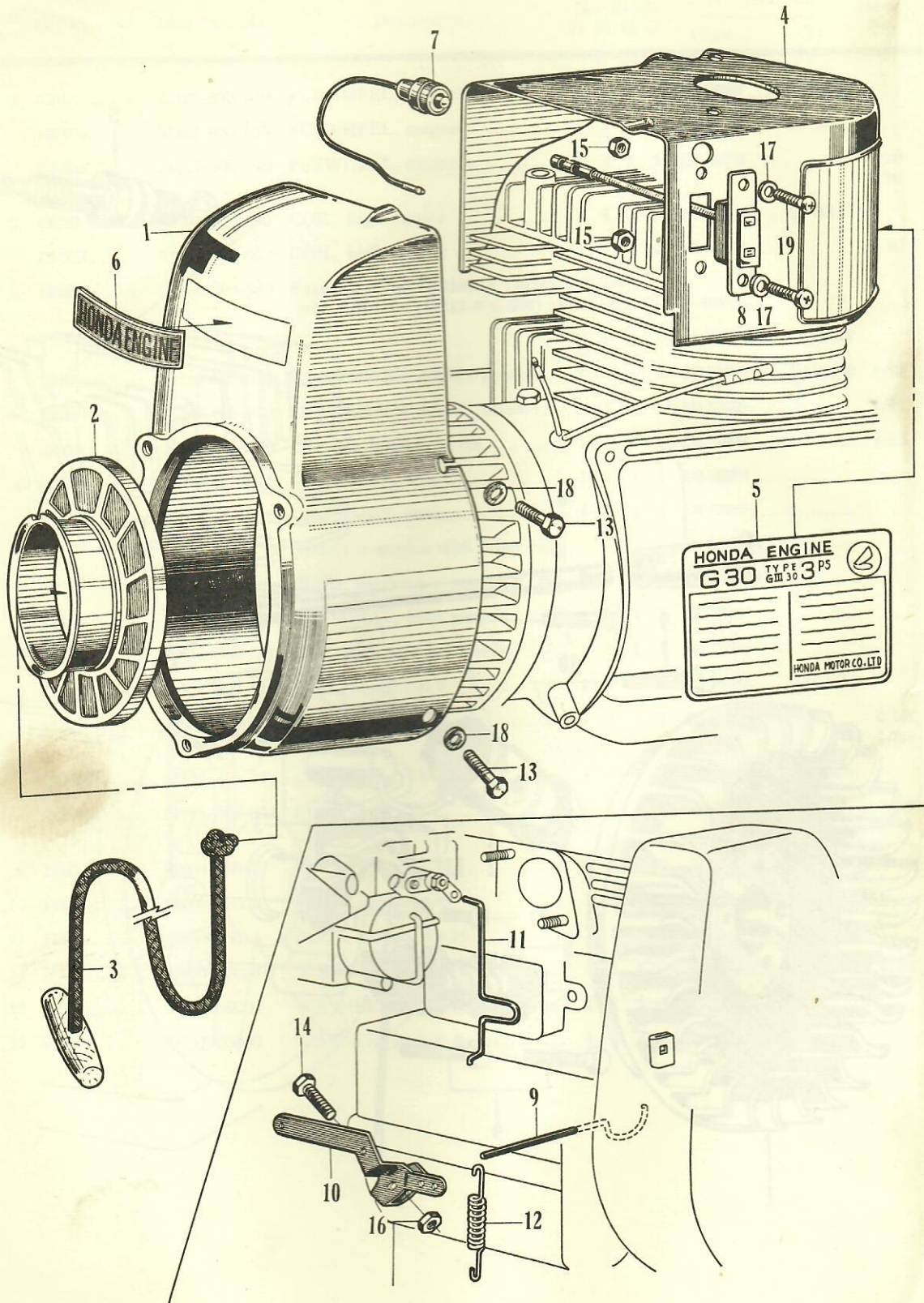
E-4 High Tension Coil

HONDA

Ref. No.	Old Part No.	New Part No.	Description	No. Req'd.				No. Used on		News No.	
				VI	VII	VIII	IX	From	To		
1	G301801	31121-805-000	FLYWHEEL, magneto	1	1	1	1	G30-1000001	G30-1000080		
	G301801B	31121-805-020	FLYWHEEL, magneto	1	1	1	1	G30-1000081	G30-1020747		
	G301801D	31121-805-040	FLYWHEEL, magneto	1	1	1	1	G30-1020748		G/049 G/061	
2	G301802	30560-805-000	COIL, high tension	1	1	1	1	G30-1000001	G30-1020747		
	G301802A	30280-805-010	COIL, high tension	1	1	1	1	G30-1020748		G/061	
3	G301805	30280-805-010	Superseded by G301805A (30280-805-010) with G301806 (30212-805-000) and JP308 (93500-03008)								
				1	1	1	1	G30-1000001	G30-1000080		
	G301805A	30280-805-010	CONDENSER ASSY., breaker...	1	1	1	1	G30-1000081	G30-1020780	G/028	
	G301805B	30280-805-020	CONDENSER ASSY., breaker...	1	1	1	1	G30-1020781		G/052	
	G301806	30212-805-000	COVER, breaker point	1	1	1	1	G30-1000081		G/028	
4	G301810A	32952-805-010	GROMMET, cord	1	1	1	1	G30-1000001			
	GY301810	32952-808-610	GROMMET, cord	1	1	1	1	G30-1000001			
			(Used for engine with lamp coil)								
5	P14127F	98076-56710	PLUG, sparking	1	1	1	1	G30-1000001			
6	G301818	30600-805-000	TERMINAL, high tension	1	1	1	1	G30-1000001			
7	G301819	30611-805-000	CAP, high tension terminal	1	1	1	1	G30-1000001			
8	GY301830	31501-805-810	COIL, lamp, 100 V	1	1	1	1	G30-1000001	G30-1020747		
	GY301830B	31501-805-812	COIL, lamp, 100 V	1	1	1	1	G30-1020748		G/049 G/061	
	GY301840	31511-805-810	COIL, lamp, 6 V	1	1	1	1	G30-1000001	G30-1020747		
	GY301840B	31511-805-812	COIL, lamp, 6 V	1	1	1	1	G30-1020748		G/049 G/061	
9	BH632	92000-06032	BOLT, hex, 6x32	3	3	3	3				
10	BH636	92000-06036	BOLT, hex, 6x36	1	1	1	1				
11	BS514	92300-05014	BOLT, slotted, 5x14	1	1	1	1				
	JP308	93500-03008	SCREW, cross, 3x8	1	1	1	1			G/028	
12	WP5	94101-05000	WASHER, flat, 5 mm	1	1	1	1				
13	WL5	94111-05000	WASHER, spring, 5 mm	1	1	1	1				



HONDA



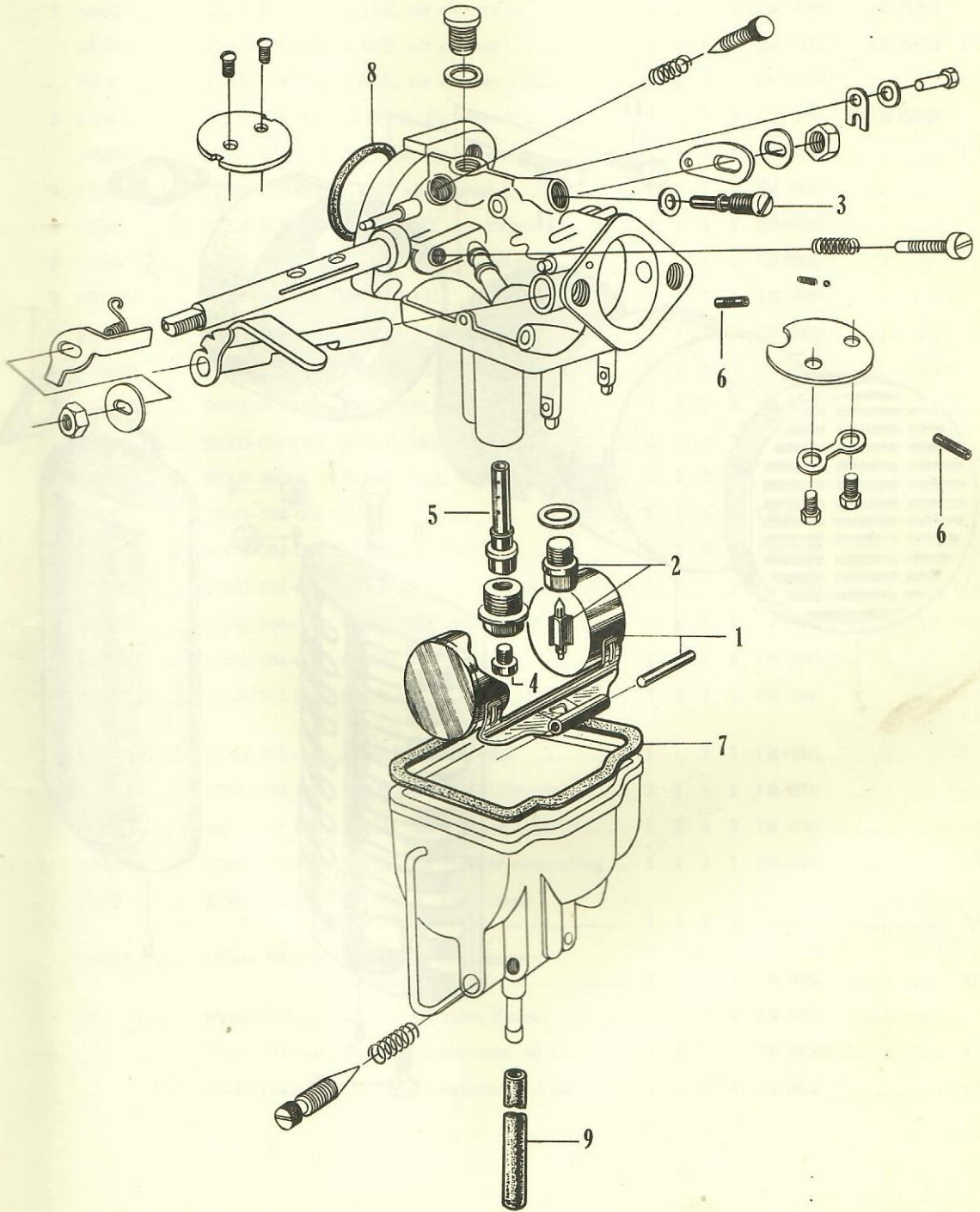
E-5 Cover Governor

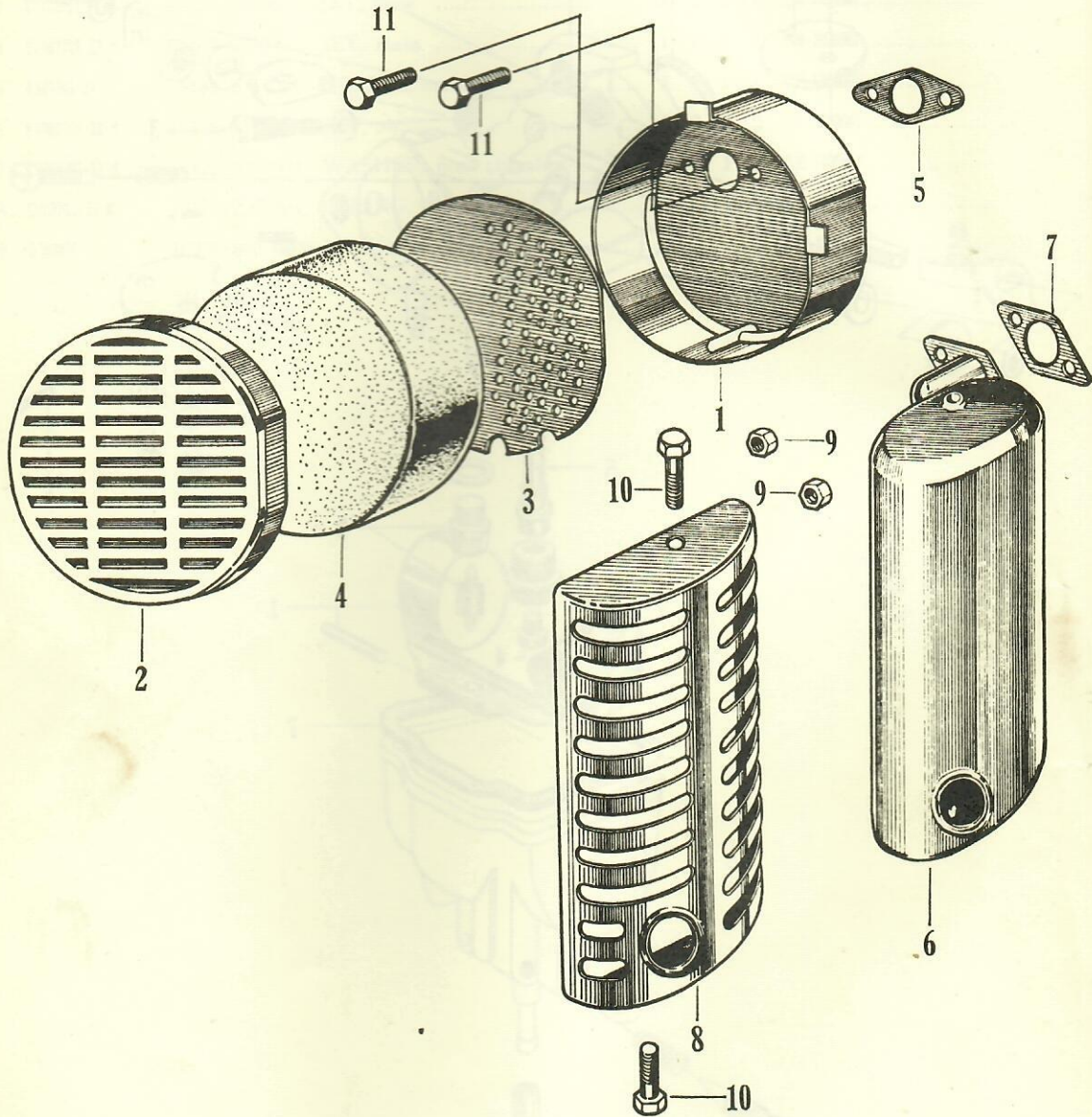
HONDA

Ref. No.	Old Part No.	New Part No.	Description	No. Req'd.				No. Used on		News No.
				VI	VII	VIII	IX	From	To	
1	G301110	19600-805-000	COVER, fan	1	1	1	1	G30-1000001		
2	G301111	28430-805-000	PULLEY, starter	1	1	1	1	G30-1000001		
3	G301115	28470-805-000	ROPE, starter	1	1	1	1	G30-1000001		
4	G301120A	19611-805-010	COVER, side	1	1	1	1	G30-1000001		
5	GY301130	87521-807-000	PLATE, instruction	1	1	-	-	G30-1000001		
	G2Y301130	87521-807-820	PLATE, instruction	-	-	1	1	G30-1007185		G/050
6	G301131	87101-805-000	MARK, top	1	1	-	-	G30-1000001		
	GY301131	87101-807-810	MARK, top	-	-	1	1	G30-1007185		G/050
7	G451831	36100-809-000	SWITCH ASSY., engine stop	1	1	1	1	G30-1000001	G30-1020780	
	GIII451831	35850-811-000	SWITCH ASSY., engine stop	1	1	1	1	G30-1020781		G/052
8	G2Y301832	32300-805-820	SOCKET ASSY.	1	1	1	1	G30-1000001	G30-1027195	
	G2Y301832A	32300-805-821	SOCKET ASSY.	1	1	1	1	G30-1027196		G/058
9	G301904	16535-805-000	SHAFT, governor arm	1	1	1	1	G30-1000001		
10	G301905	16541-805-000	ARM, governor	1	1	1	1	G30-1000001		
11	G301906	16545-805-000	ROD, governor	1	1	1	1	G30-1000001	G30-1007634	
	G301906A	16545-805-101	ROD, governor	1	1	1	1	G30-1007635		H/027
12	G301909	16551-805-000	SPRING, governor	1	1	1	1	G30-1000001		
13	BH612	92000-06012	BOLT, hex., 6×12	4	4	4	4			
14	BH616	92000-06016	BOLT, hex., 6×16	1	1	1	1			
15	NH5	94001-05000	NUT, hex., 5 mm	2	2	2	2			
16	NH6	94001-06000	NUT, hex., 6 mm	1	1	1	1			
17	WP5	94101-05000	WASHER, flat, 5 mm	2	2	2	2			
18	WP6	94101-06000	WASHER, flat, 6 mm	4	4	4	4			
19	JP510	93500-05010	SCREW, cross, 5×10	2	2	2	2			

HONDA

Ref. No.	Old Part No.	New Part No.	Description	No. Req'd.				No. Used on		News No.
				VI	VII	VIII	IX	From	To	
	G303701A-K	16100-805-014	CARBURETOR ASSY.	1	1	1	1	G30-1000001		
1	G923701-1-K	16271-202-004	FLOAT	1	1	1	1	G30-1000001		
2	C1103701-11-K ...	16123-011-004	VALVE SET, float	1	1	1	1	G30-1000001		
3	C3103701-21-K ...	99126-04004	JET, slow	1	1	1	1	G30-1000001		
4	C1103701-23-K ...	99101-07504	JET, main	1	1	1	1	G30-1000001		
5	G303701-27-K ...	16134-805-014	NOZZLE, main	1	1	1	1	G30-1000001		
6	F1903701-28-K ...	16135-701-004	JET, air	2	2	2	2	G30-1000001		
7	C2003701-52-K ...	16172-030-004	WASHER, float chamber	1	1	1	1	G30-1000001		
8	C763701-53-K ...	16173-260-004	O RING, 29.0 ϕ	1	1	1	1	G30-1000001		
9	G303810	16235-805-000	PIPE, over flow	1	1	1	1	G30-1000001		



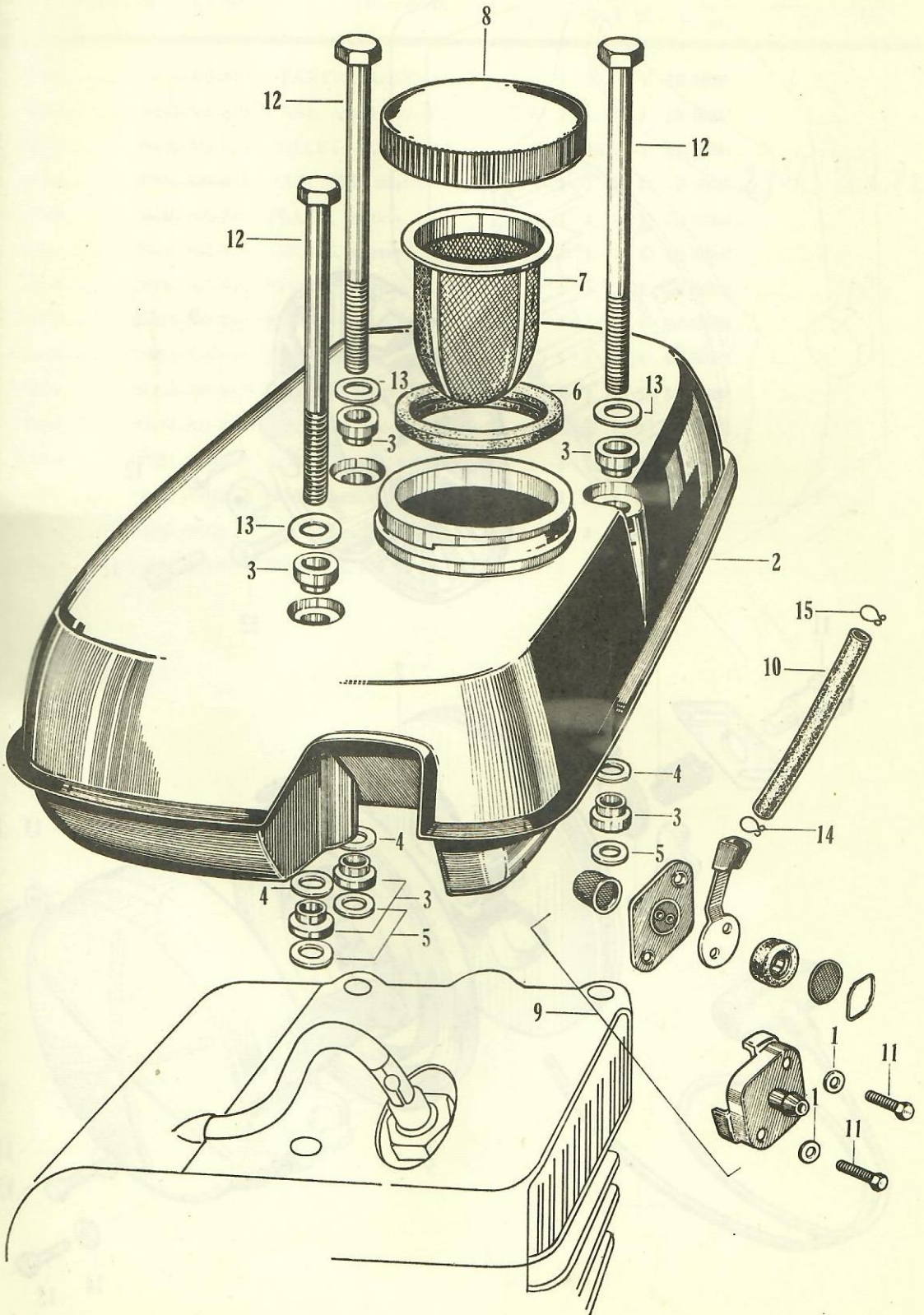


E-7 Air Cleaner

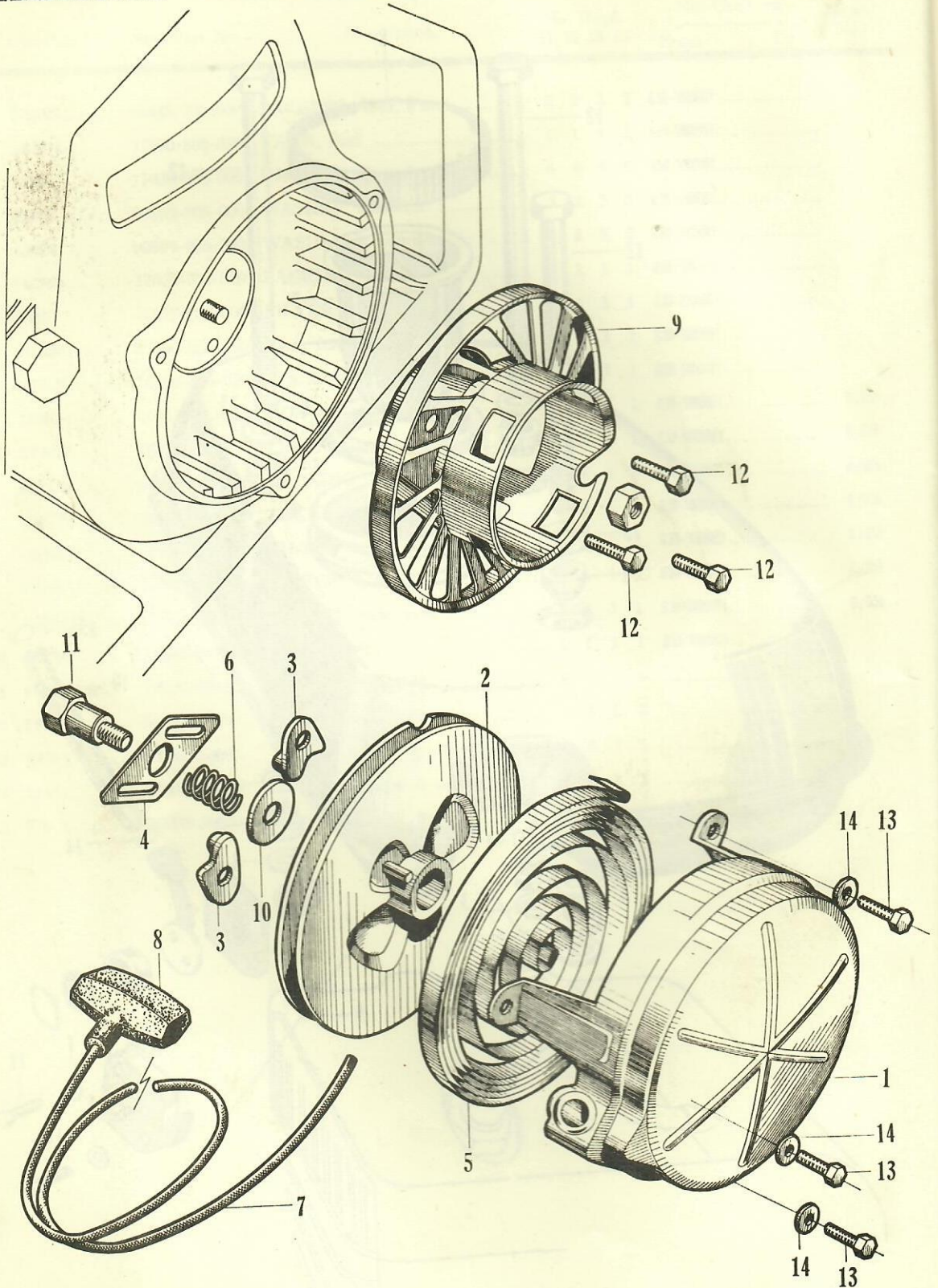
HONDA

Ref. No.	Old Part No.	New Part No.	Description	No. Reqd.				No. Used on		News No.
				VI	VII	VIII	IX	From	To	
1	G303801A.....	17220-805-010	CASE, air cleaner.....	1	1	1	1	G30-1000001	G30-1007934	
	G303801B.....	17220-805-020	CASE, air cleaner.....	1	1	1	1	G30-1007935	G30-1021746	G/029
	F303801C.....	17400-704-000	CASE, air cleaner.....	1	1	1	1	G30-1021747		G/046
2	G303802	17231-805-000	COVER, air cleaner.....	1	1	1	1	G30-1000001	G30-1007934	
	G303802A.....	17231-805-010	COVER, air cleaner.....	1	1	1	1	G30-1007935		G/029
3	G303803	17212-805-000	GRIP, air cleaner	1	1	1	1	G30-1000001		
4	G303804	17211-805-000	ELEMENT, air cleaner	1	1	1	1	G30-1000001		
5	G303805	16269-805-000	PACKING, air cleaner	1	1	1	1	G30-1000001		
6	G3Y303951	18300-805-830	MUFFLER	1	1	1	1	G30-1000001		
7	G303952	18351-805-000	PACKING, muffler	1	1	1	1	G30-1000001		
8	G3Y303953	18361-805-830	PROTECTOR, muffler	1	1	1	1	G30-1000001		
9	F607751	90381-703-000	NUT, hex., 6 φ	2	2	2	2	G30-1000001		
10	BH610CR.....	92000-0601002	BOLT, hex., 6×10	2	2	2	2			
11	BH612.....	92000-06012	BOLT, hex., 6×12	2	2	2	2			
	F301127	15761-704-000	PIPE, breather	1	1	1	1	F30-107045		H/034
	F302837	90474-704-000	WASHER, 6×17	2	2	2	2	F30-107045		H/034
	FY303801.....	17400-704-610	CLEANER ASSY., air	1	1	-	-	F30-107045		H/034
	F2Y303801	17400-704-620	CLEANER ASSY., air	-	-	1	1	F30-107045		H/034
	F303801-1	17401-704-000	CASE, air cleaner.....	1	1	1	1	F30-107045		H/034
	FY303801-2A ...	17441-704-611	PAN, oil	1	1	1	1	F30-107045		H/034 H/034
	F303801-3	17442-704-000	SEPARATOR, oil.....	1	1	1	1	F30-107045		H/034
	F303828A.....	17470-704-010	MANIFOLD, air cleaner	1	1	1	1	F30-107045		H/034
	F303829	16267-704-000	JOINT, air cleaner manifold.....	1	1	1	1	F30-107045		H/034
	F303830A.....	16261-704-010	TUBE, air cleaner connecting ...	1	1	1	1	F30-107045		H/034
	F303833	16265-704-000	BAND A, air cleaner connecting tube	1	1	1	1	F30-107045		H/034
	F303834A.....	16266-704-010	BAND B, air cleaner connecting tube	1	1	1	1	F30-107045		H/034
	CF8	95002-80000	CLIP, fuel tube, 8mm.....	2	2	2	2	F30-108255		
		17442-704-600	PLATE, instruction oil bath	1	1	-	-	F30-108255		H/051
		17442-704-620	PLATE, instruction oil bath	-	-	1	1	F30-108255		H/051

Ref. No.	Old Part No.	New Part No.	Description	No. Req'd.				No. Used on		News No.
				VI	VII	VIII	IX	From	To	
1	F1502877	90445-700-000	PACKING, fiber, 6 mm	2	2	2	2	630-1000001		
2	G303901B	17500-805-020	TANK, fuel	1	1	1	1	630-1000001		
3	G303906	17638-805-000	INSULATOR, tank	6	6	6	6	630-1000001		
4	G303907	90503-805-000	WASHER, insulator	3	3	3	3	630-1000001		
5	G303908	90504-805-000	WASHER B, insulator	3	3	3	3	630-1000001		
6	F603910A	17673-703-010	PACKING, fuel filter	1	1	1	1	630-1000001		
7	F603911	17672-703-000	FILTER, fuel	1	1	1	1	630-1000001		
8	G3Y303912	17650-806-830	CAP, fuel tank	1	1	1	1	630-1000001		
9	G303913B	16950-805-020	COCK ASSY., fuel	1	1	1	1	630-1000001		
	G303913-6	16961-805-000	BODY, cock	1	1	1	1	630-1000001		G/056
	G303913-7	16972-805-000	LEVER, cock	1	1	1	1	630-1000001		G/056
	G303913-8	16975-805-000	PACKING A, cock	1	1	1	1	630-1000001		G/056
	G303913-9	16974-805-000	PACKING B, cock	1	1	1	1	630-1000001		G/056
	G303913-10	16981-805-000	FILTER A, check	1	1	1	1	630-1000001		G/056
	G303913-11	16982-805-000	FILTER B, check	1	1	1	1	630-1000001		G/056
	G303913-12	16975-805-000	SPRING, cock lever	1	1	1	1	630-1000001		G/056
10	G303914B	16851-805-020	TUBE, fuel	1	1	1	1	630-1000001		
11	BH622	92000-06022	BOLT, hex., 6x22	1	1	1	1			
12	BH1016030	92030-10160	BOLT, hex., 10x160	3	3	3	3			
13	WP10	94101-10000	WASHER, flat, 10 mm	3	3	3	3			
14	CF5	95002-50000	CLIP, fuel tube, 5 mm	1	1	1	1			
15	CF8	95002-80000	CLIP, fuel tube, 8 mm	1	1	1	1			



HONDA



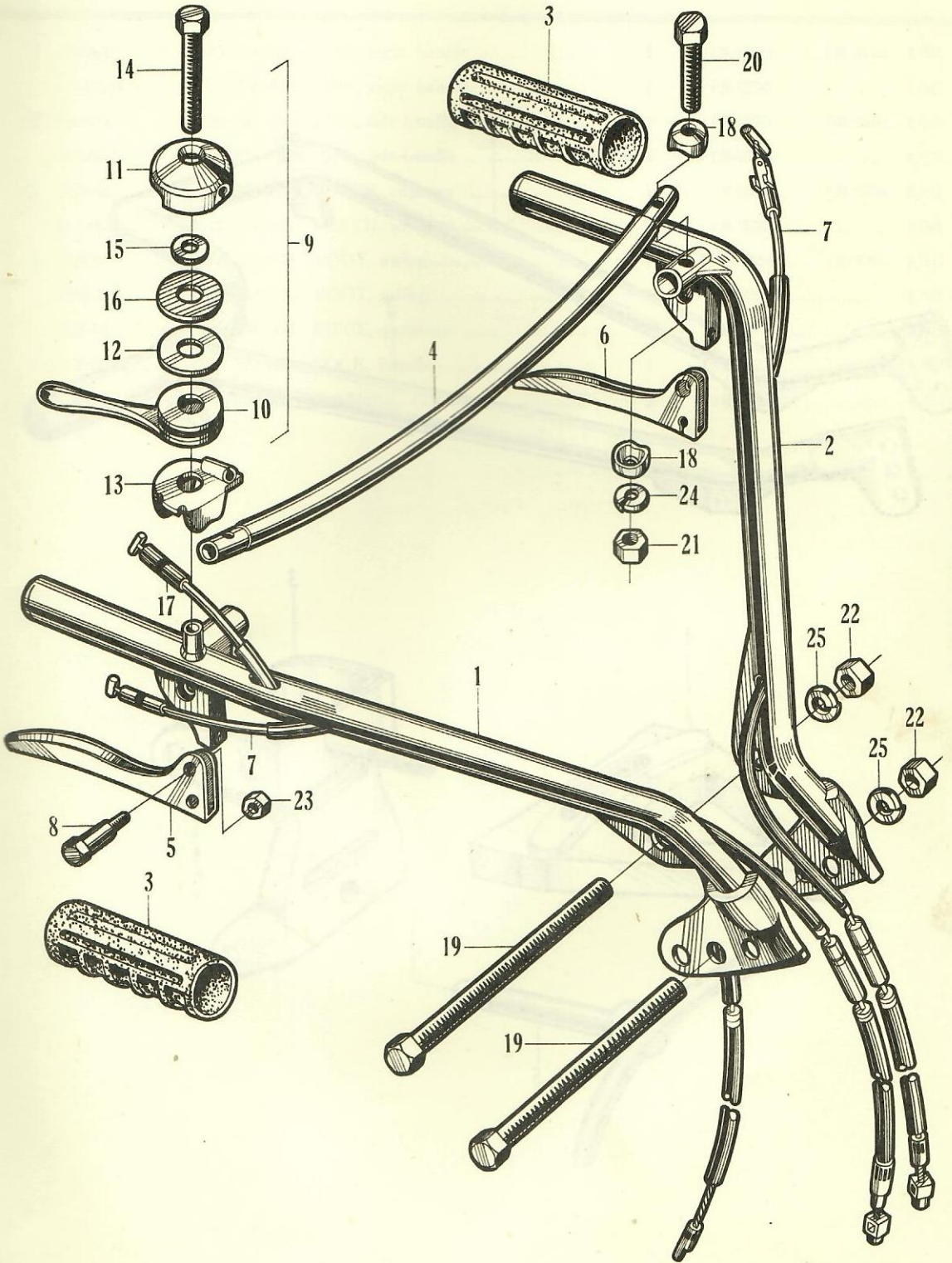
E-9 Recoil Starter

HONDA

Ref. No.	Old Part No.	New Part No.	Description	No. Req'd.				No. Used on		News No.
				VI	VII	VIII	IX	From	To	
	GY302500.....	28400-805-810	STARTER ASSY., recoil	1	1	1	1	630-1000001	
1	GY302501.....	28410-805-810	CASE, recoil starter.....	1	1	1	1	630-1000001	
2	GY302502.....	28420-805-810	PULLEY	1	1	1	1	630-1000001	
3	GY302503.....	28441-805-811	RATCHET, starter	1	1	1	1	630-1000001	28441-806820
4	GY302504.....	28445-805-810	PLATE, friction	1	1	1	1	630-1000001	
5	GY302505.....	28451-805-810	SPRING, starter	1	1	1	1	630-1000001	
6	GY302506.....	28446-805-810	SPRING, friction	1	1	1	1	630-1000001	
7	GY302507.....	28471-805-810	ROPE, recoil starter	1	1	1	1	630-1000001	
8	GY302508.....	28461-805-810	KNOB, starter	1	1	1	1	630-1000001	
9	GY302509.....	28426-805-810	PULLEY, starter ratchet.....	1	1	1	1	630-1000001	
10	GY302510.....	90474-805-810	WASHER, special, 8 mm	1	1	1	1	630-1000001	
11	GY302511.....	90081-805-810	BOLT, special, 8 mm	1	1	1	1	630-1000001	
12	BH612.....	92000-06012	BOLT, hex., 6×12	3	3	3	3			
13	BH614.....	92000-06014	BOLT, hex., 6×14	3	3	3	3			
14	WP6	94105-06000	WASHER, flat, 6 mm	3	3	3	3			

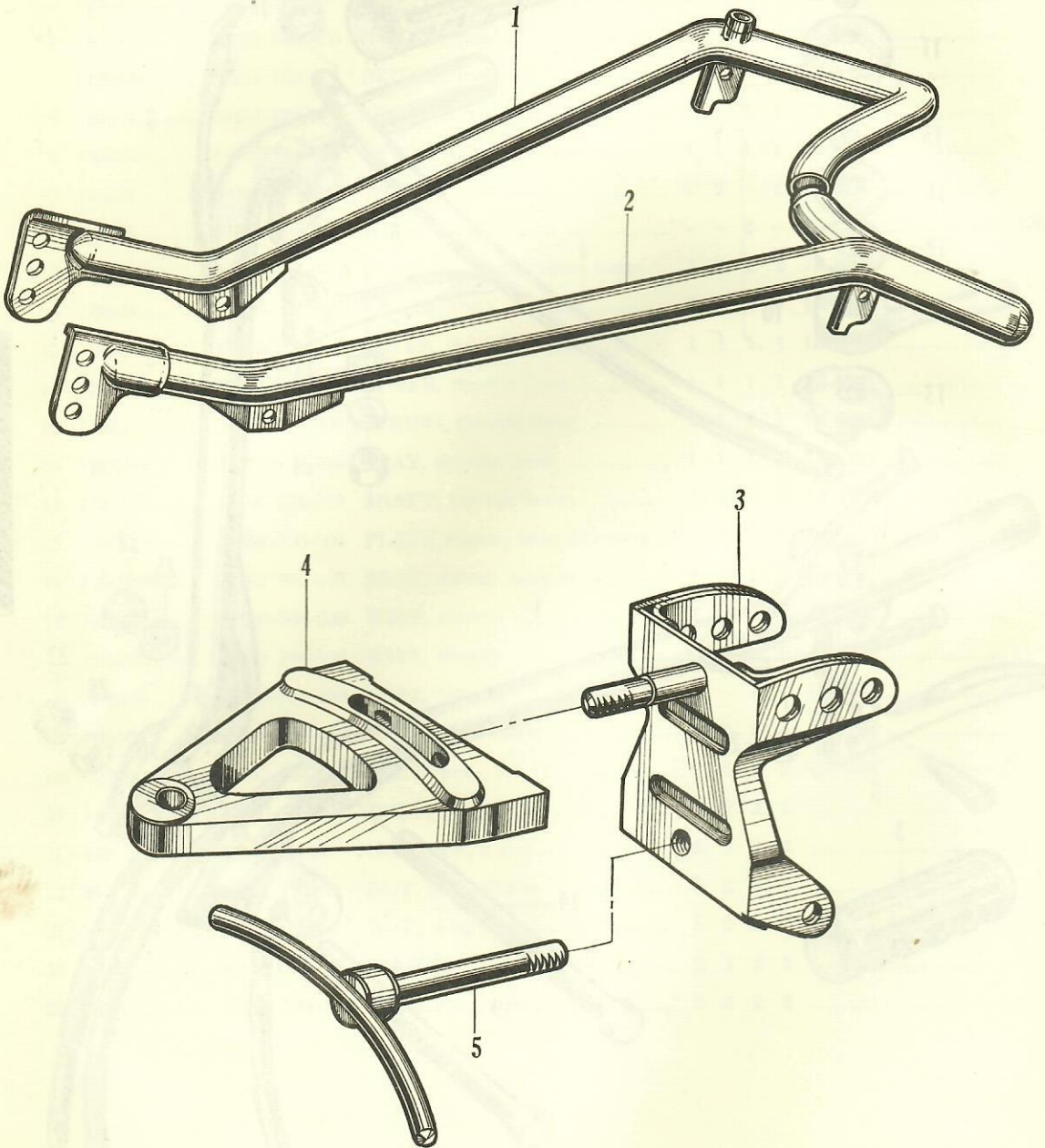
HONDA

Ref. No.	Old Part No.	New Part No.	Description	No. Req'd.				No. Used on		News No.
				VI	VII	VIII	IX	From	To	
1	F304701C	53110-704-030	PIPE, right handle	1	1	-	1	F30-100001		
2	F304702C	53150-704-030	PIPE, left handle	1	1	-	1	F30-100001		
3	F304703	53321-704-000	GRIP, handle	2	2	2	2	F30-100001		
4	F304704B	53211-704-020	BRIDGE, handle	1	-	1	-	F30-100001		
	FY304704A	53211-704-601	BRIDGE, handle	-	1	-	1	F30-100001		
5	F304731A	54611-704-010	LEVER B, right side clutch	1	1	1	1	F30-100001		
6	F304732A	54621-704-010	LEVER B, left side clutch	1	1	1	1	F30-100001		
7	F304733C	54710-704-030	WIRE B, side clutch	2	2	-	2	F30-100001		
	FY304733	54710-704-601	WIRE B, side clutch	-	-	2	-	F30-106274		H/043
8	F304736A	54691-704-010	BOLT, side clutch lever hinge	2	2	2	2	F30-100001		
9	F304761A	17850-704-010	LEVER ASSY., throttle	1	1	1	1	F30-100001		
10	F304761-1	17851-704-000	LEVER, throttle	1	1	1	1	F30-100001		
11	F304761-2A	17852-704-010	COVER, throttle lever	1	1	1	1	F30-100001		
12	F304761-3	17831-704-000	SPRING, throttle lever	1	1	1	1	F30-100001		
13	F304761-4A	17854-704-010	STAY, throttle lever	1	1	1	1	F30-100001		
14	F304761-5A	17855-704-010	SHAFT, throttle lever	1	1	1	1	F30-100001		
15	F1504761-6	17856-700-000	PLATE, throttle lever adjusting	3	3	3	3	F30-100001		
16	F1904761-7A	17862-701-010	SEAT, throttle wire end	1	1	1	1	F30-100001		
17	F304765B	17910-704-020	WIRE, throttle	1	-	-	-	F30-100001		
	FY304765	17910-704-600	WIRE, throttle	-	1	-	1	F30-100001		
	F2Y304765	17910-704-820	WIRE, throttle	-	-	1	-	F30-106274		H/043
18	F1504765	17891-700-000	WASHER, throttle	4	4	4	4	F30-100001		
19	F607702	90132-703-000	BOLT, hex., 10x123	2	2	2	2	F30-100001		
20	BH838	92000-08038	BOLT, hex., 8x38	2	2	2	2			
21	NH8	94001-08000	NUT, hex., 8 mm	2	2	2	2			
22	NH10	94001-10000	NUT, hex., 10 mm	2	2	2	2			
23	NL6	94002-06000	NUT, thin, 6 mm	2	2	2	2			
24	WL8	94111-08000	WASHER, spring, 8 mm	2	2	2	2			
25	WL10	94111-10000	WASHER, spring, 10 mm	2	2	2	2			



FRAME GROUP

HONDA



F-2 Swing Handle

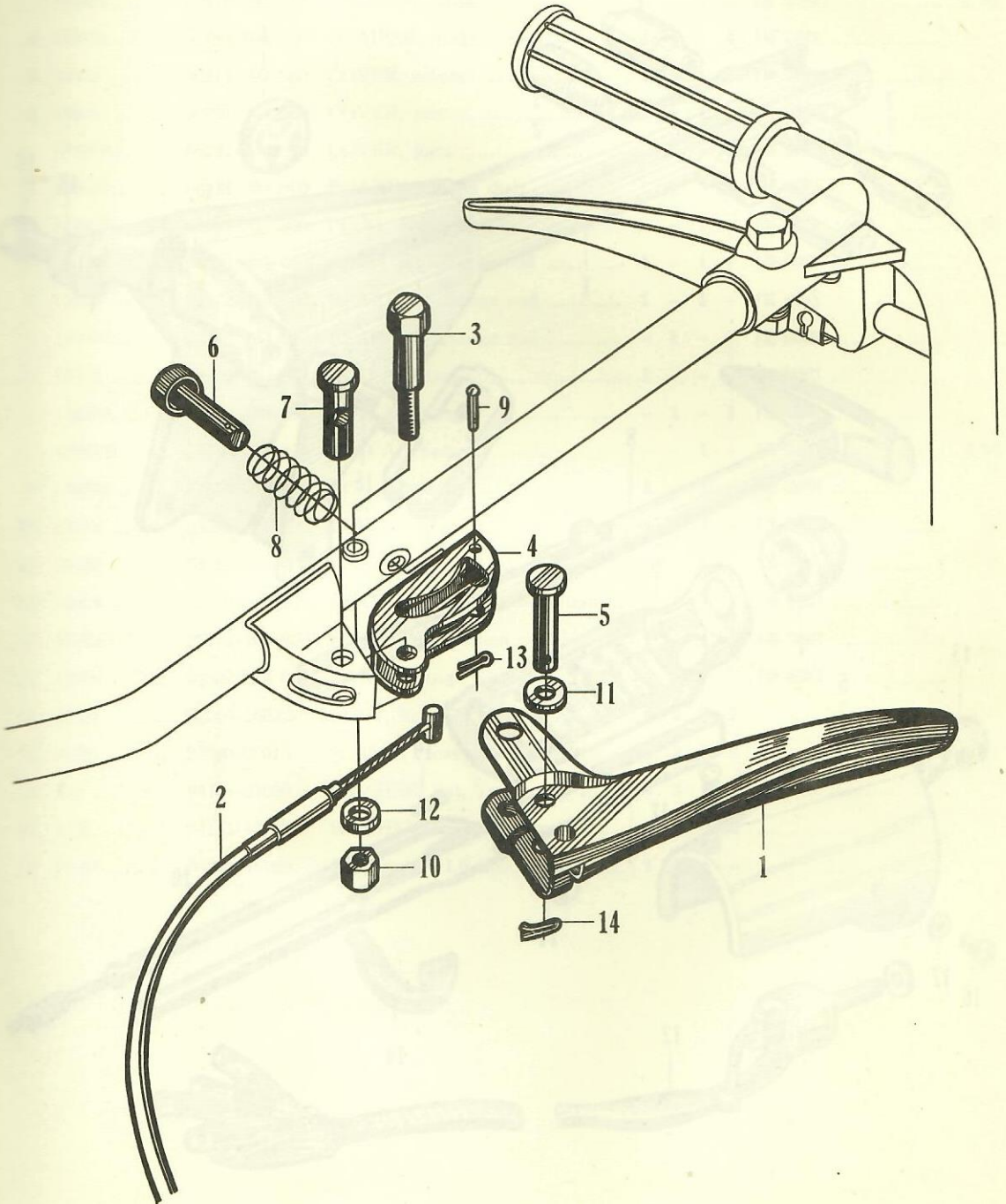
HONDA

Ref. No.	Old Part No.	New Part No.	Description	No. Reqd. VII	No. Used on		News No.
					From	To	
1	F2Y304701	53110-704-820	PIPE, right handle	1	F30-106274	F30-107044	H/043
	F2Y304701B	53110-704-822	PIPE, right handle	1	F30-107045		H/045
2	F2Y304702	53150-704-600	PIPE, left handle	1	F30-106274	F30-107044	H/043
	F2Y304702B	53150-704-620	PIPE, left handle	1	F30-107045		H/045
3	FY304740.....	53510-704-810	PLATE, adjuster	1	F30-106274	F30-107044	H/043
	FY304740A	53510-704-811	PLATE, adjuster	1	F30-107045		H/045
4	FY304741.....	54584-704-600	BODY, swing.....	1	F30-106274	F30-107044	H/043
	FY304741B	54583-704-620	BODY, swing.....	1	F30-107045		H/045
	FY304742.....	54585-704-600	PIECE, pressure	1	F30-106274		H/043
5	FY304743.....	54771-704-600	LOCK, handle	1	F30-106274		H/043
	FY304744.....	90586-704-811	WASHER, 11×28.....	1	F30-106274		H/043

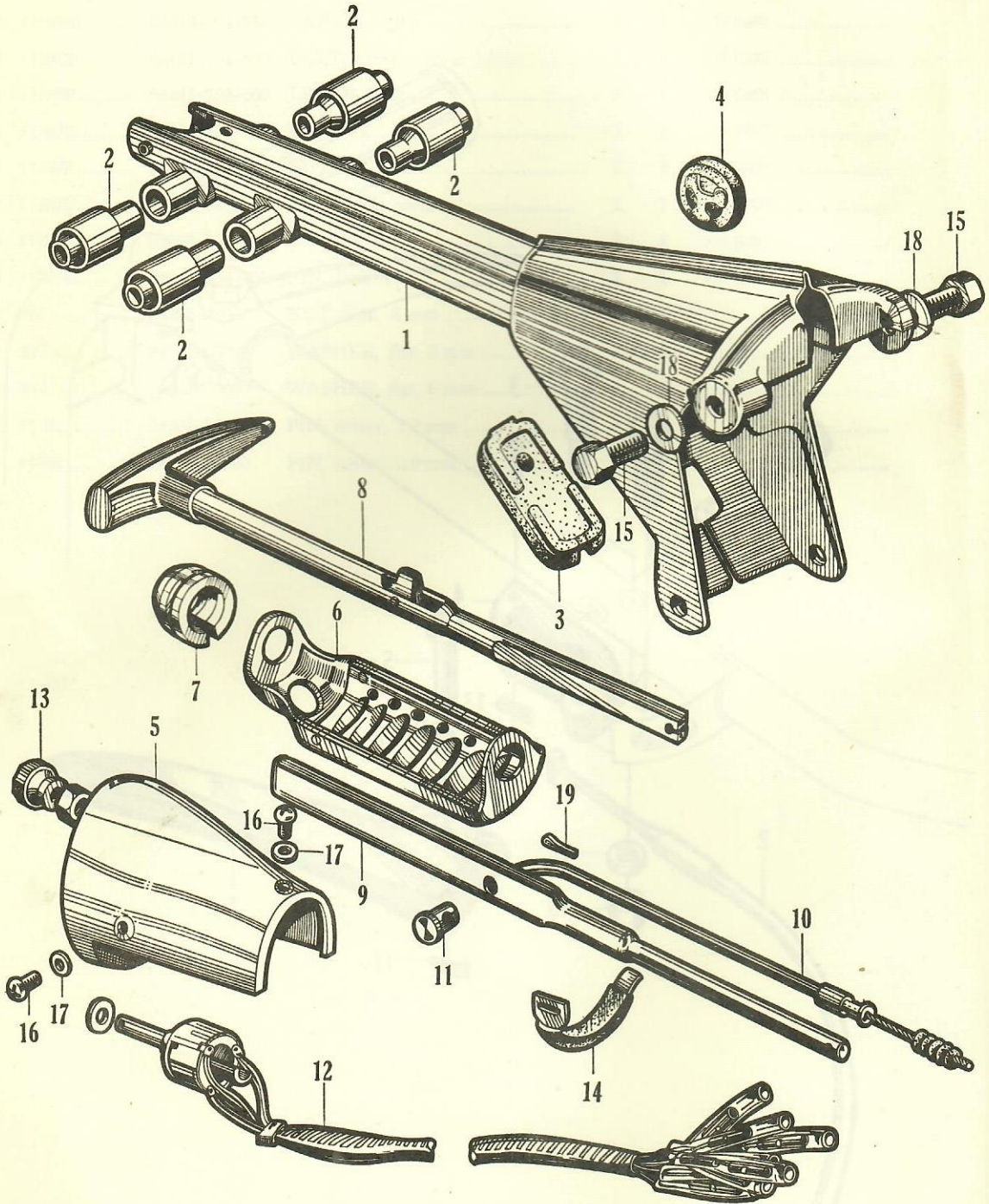
F-3 Tension Clutch

HONDA

Ref. No.	Old Part No.	New Part No.	Description	No. Req'd.		No. Used on		News No.
				VII	IX	From	To	
1	FY304781A	54411-704-601	LEVER, tension clutch	1	1	F30-100001		
2	F2Y304782	54510-704-610	CABLE, clutch	1	1	F30-100001		
3	FY304788.....	54491-704-600	BOLT, tension lever hinge	1	1	F30-100001		
4	FY304789.....	54441-704-600	LEVER, lock	1	1	F30-100001		
5	FY304790.....	54492-704-600	PIN, lock.....	1	1	F30-100001		
6	FY304791.....	54448-704-600	BUTTON, push.....	1	1	F30-100001		
7	FY304792.....	54582-704-600	STOPPER, outer	1	1	F30-100001		
8	FY304793.....	54582-704-600	SPRING, lock.....	1	1	F30-100001		
9	FY304795.....	54443-704-600	PIN, lock lever	1	1	F30-100001		
10	NL6	94002-06006	NUT, thin, 6 mm	1	1		
11	WP5	94101-05000	WASHER, flat, 5 mm	1	1		
12	WP6	94101-06000	WASHER, flat, 6 mm	1	1		
13	PG1212	94201-12120	PIN, cotter, 1.2mm	1	1		
14	PG2020	94201-20200	PIN, cotter, 2.0mm	1	1		



HONDA



F-4 Handle Column

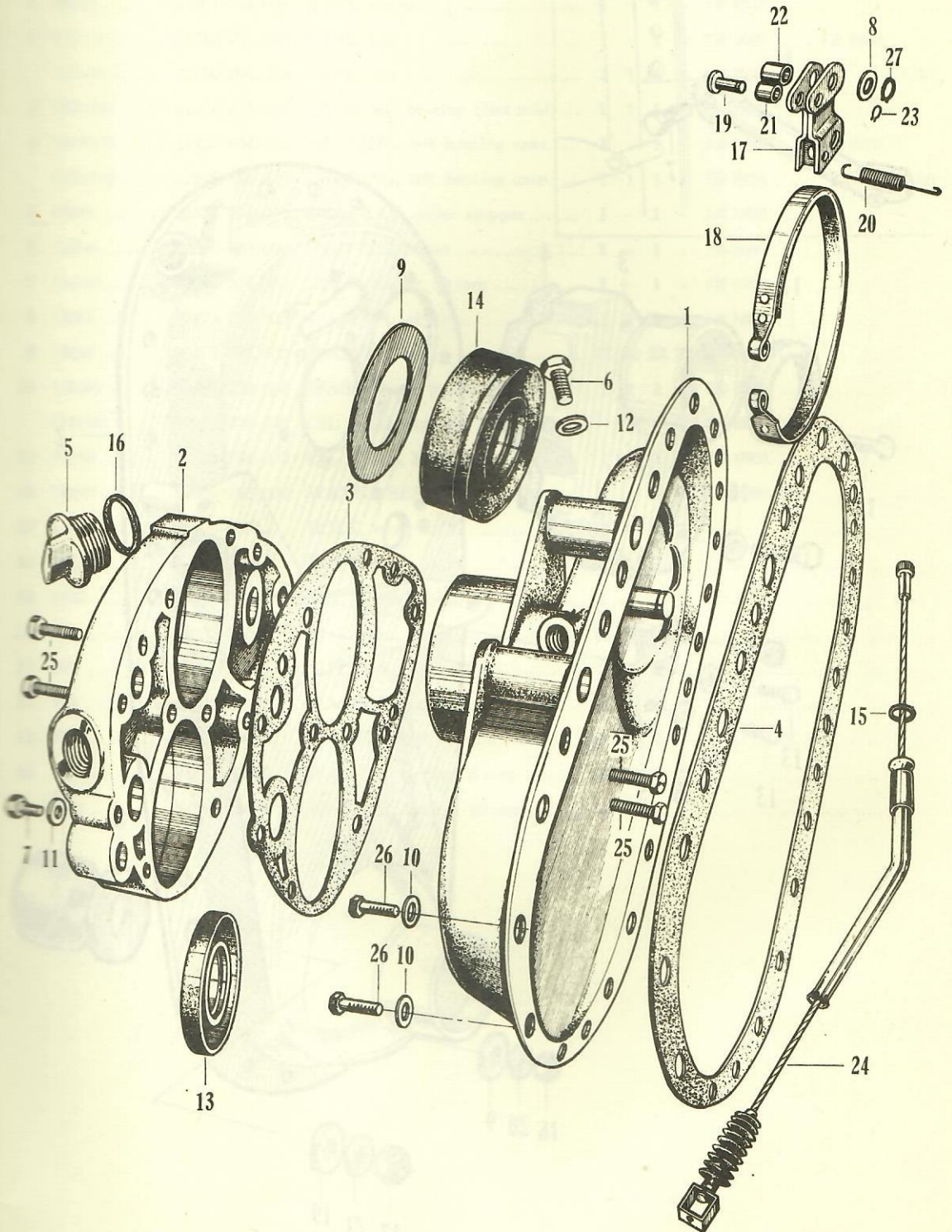
HONDA

Ref. No.	Old Part No.	New Part No.	Description	No. Req'd.				No. Used on		News No.
				VI	VII	VIII	IX	From	To	
1	F304151A.....	50110-704-010	COLUMN, handle.....	1	1	-	1	F30-100001		
	FY304151.....	50110-704-810	COLUMN, handle.....	-	-	1	-	F30-106274		H/043
2	F304152B.....	53751-704-020	DAMPER, hinge boss.....	4	4	4	4	F30-100001		
3	F304155.....	50211-704-000	COVER, column.....	1	1	1	1	F30-100001		
4	F304156.....	50221-704-000	COVER, joint.....	1	-	1	-	F30-100001		
	FY304156.....	50221-704-600	COVER, joint.....	-	1	-	1	F30-100001		
5	F304157A.....	66111-704-010	BOARD, column dish.....	1	1	-	1	F30-100001		
	FY304157.....	66191-704-600	PLUG, dish board.....	-	-	1	-	F30-106274		H/043
6	F304160A.....	54471-704-010	STOPPER, change rod.....	1	-	1	-	F30-100001		
7	F304161.....	54472-704-000	BEARING, change rod.....	1	-	1	-	F30-100001		
	FY304161.....	54472-704-600	BEARING, change rod.....	-	1	-	1	F30-100001		
8	F304751.....	54140-704-000	ROD A, change.....	1	-	-	-	F30-100001		
	FY304751.....	54140-704-600	ROD A, change.....	-	1	-	1	F30-100001		
	F2Y304751.....	54140-704-820	ROD A, change.....	-	-	1	-	F30-106274		H/043
9	F304752A.....	54150-704-010	ROD B, change.....	1	-	1	-	F30-100001		
10	F304755.....	54510-704-000	WIRE, change.....	1	-	1	-	F30-100001		
11	F304756.....	54581-704-000	END, wire.....	1	-	1	-	F30-100001		
12	F304836.....	35100-704-000	SWITCH ASSY., combination ...	1	1	1	1	F30-100001		
13	F304836-1.....	35111-704-000	KNOB, combination switch.....	1	1	1	1	F30-100001		
14	F307761.....	54587-704-000	BAND, change wire.....	1	-	1	-	F30-100001		
15	BH1022.....	92000-10022	BOLT, hex., 10×22.....	2	2	2	2			
16	JP510.....	93500-05016	SCREW, cross., 5×10.....	3	3	3	3			
17	WP5.....	94101-05000	WASHER, flat, 5 mm.....	3	3	3	3			
18	WL10.....	94111-10000	WASHER, spring, 10 mm.....	2	2	2	2			
19	PC1620.....	94201-16200	PIN, cotter, 1.6 mm.....	1	-	1	-			

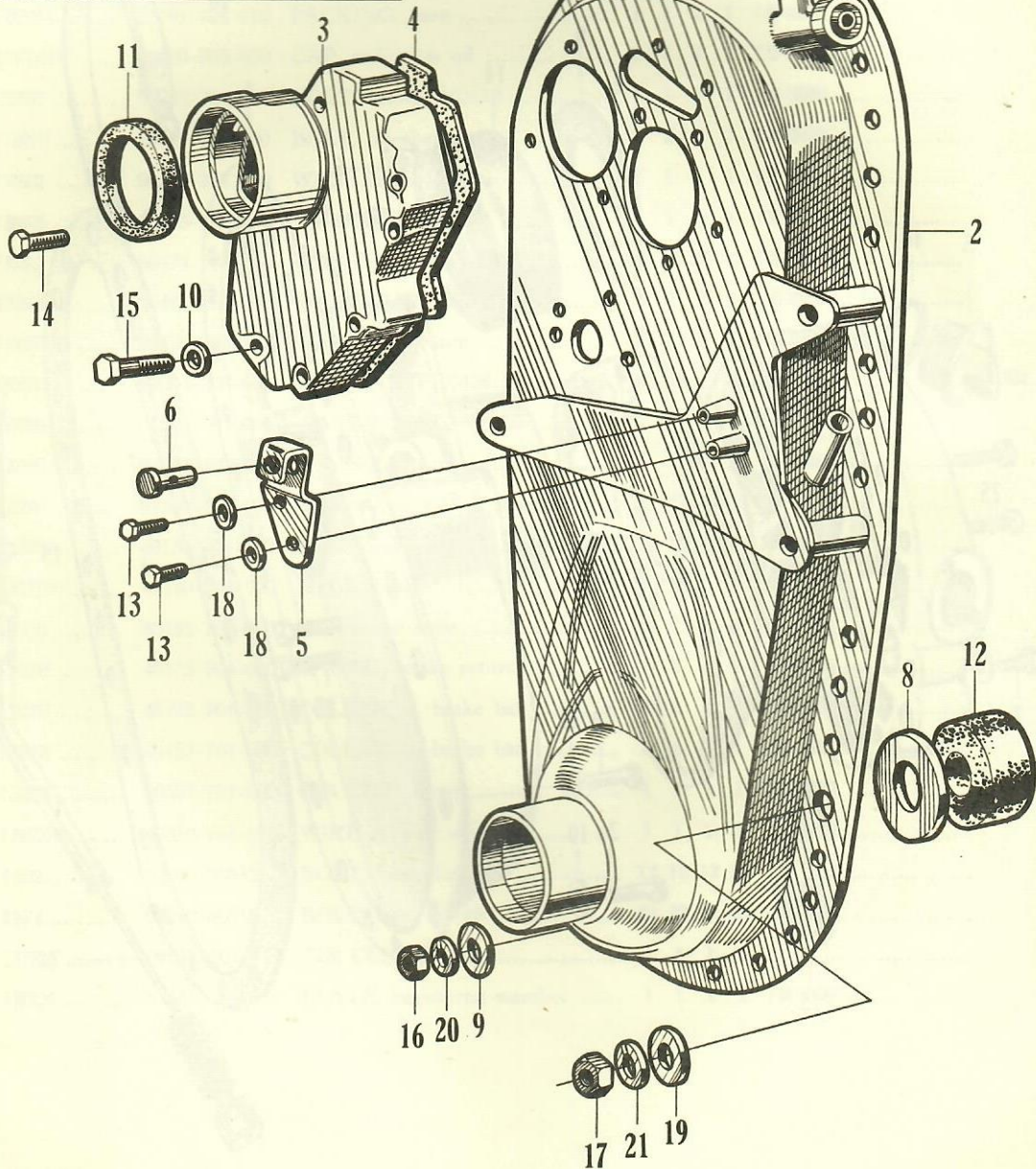
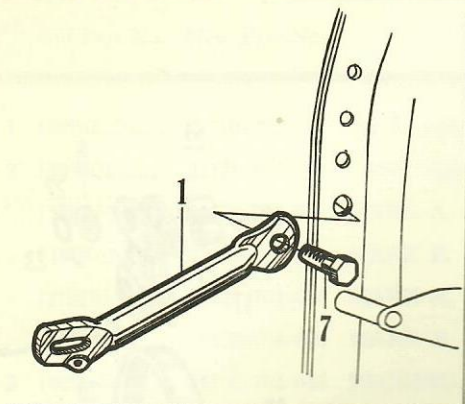
F-5 Right Case · Right Bearing Case

HONDA

Ref. No.	Old Part No.	New Part No.	Description	No. Req'd.				No. Used on		News No.
				VI	VII	VIII	IX	From	To	
1	F302101A.....	21110-704-010	CASE, right	1	1	1	1	F30-100001		
2	F302101-2A	21121-704-010	CASE, right bearing (Not sold)...	1	1	1	1	F30-100001		
	FY302101-2-10 ...	21121-704-600	MARK A, oil check.....	1	1	-	-	F30-102566		H/044
	FY302101-2-11 ...	21122-704-620	MARK B, oil check.....	1	1	-	-	F30-102566		H/044
	F2Y302101-2-10...	21121-704-620	MARK A, oil check (For France)	-	-	1	1	F30-102566		H/044
	F2Y302101-2-11...	21122-704-620	MARK B, oil check (For France)	-	-	1	1	F30-102566		H/044
3	F302101-3A	21126-704-010	PACKING, right bearing case ...	1	1	1	1	F30-100001		
4	F302111A.....	21191-704-010	PACKING, case	1	1	1	1	F30-100001		
5	GY302420A	25620-805-610	CAP, reduction oil	1	1	1	1	F30-100001		
6	F302702	90082-704-000	BOLT, knock, 10×12	1	1	1	1	F30-100001		
7	F1502711	25911-700-000	BOLT, oil check	2	2	2	2	F30-100001		
8	F302832	90472-704-000	WASHER B, 10 mm	1	1	1	1	F30-100001		
9	F302836	90473-704-000	WASHER, 31 mm.....	1	1	1	1	F30-100001		
10	F302837	90474-704-000	WASHER, 6×17	23	23	23	23	F30-100001		
11	G702861	90481-250-000	WASHER A, 6.5 mm	2	2	2	2	F30-100001		
12	F602865S1	90472-703-305	WASHER, 10 mm.....	1	1	1	1	F30-100001		
13	F602934	91204-704-005	OIL SEAL, PJ26438.....	1	1	1	1	F30-100001		H/054
14	F602935	91205-703-000	WATER SEAL, 305520	1	1	1	1	F30-100001		
15	F302951	91301-704-000	O RING, 6 mm	1	1	1	1	F30-100001		
16	G302951	91301-805-000	O RING, 26×2.7 φ	1	1	1	1	F30-100001		
17	F303211A.....	40130-704-010	ARM, brake	1	1	1	1	F30-100001		
18	F303213B.....	40140-704-020	SHOE, brake	1	1	1	1	F30-100001		
19	F303215	40151-704-000	PIN, brake shoe	1	1	1	1	F30-100001		
20	F303216	40175-704-000	SPRING, brake return	1	1	1	1	F30-100001		
21	F303217	40152-704-000	COLLAR A, brake bat	1	1	1	1	F30-100001		
22	F303218	40153-704-000	COLLAR B, brake bat	1	1	1	1	F30-100001		
23	F303220	90601-704-000	CIR CLIP, 6 mm	1	1	1	1	F30-100001		
24	F303225A.....	40310-704-010	WIRE A, side clutch	1	1	1	1	F30-100001		
25	BH612.....	92000-06012	BOLT, hex., 6×12	12	12	12	12			
26	BH618.....	09200-06018	BOLT, hex., 6×18	23	23	23	23			
27	CX101.0	94510-10100	CIR CLIP, 10mm.....	1	1	1	1			
	F305804	87501-704-000	PLATE, registered number	1	1	1	1	F30-100001		



HONDA



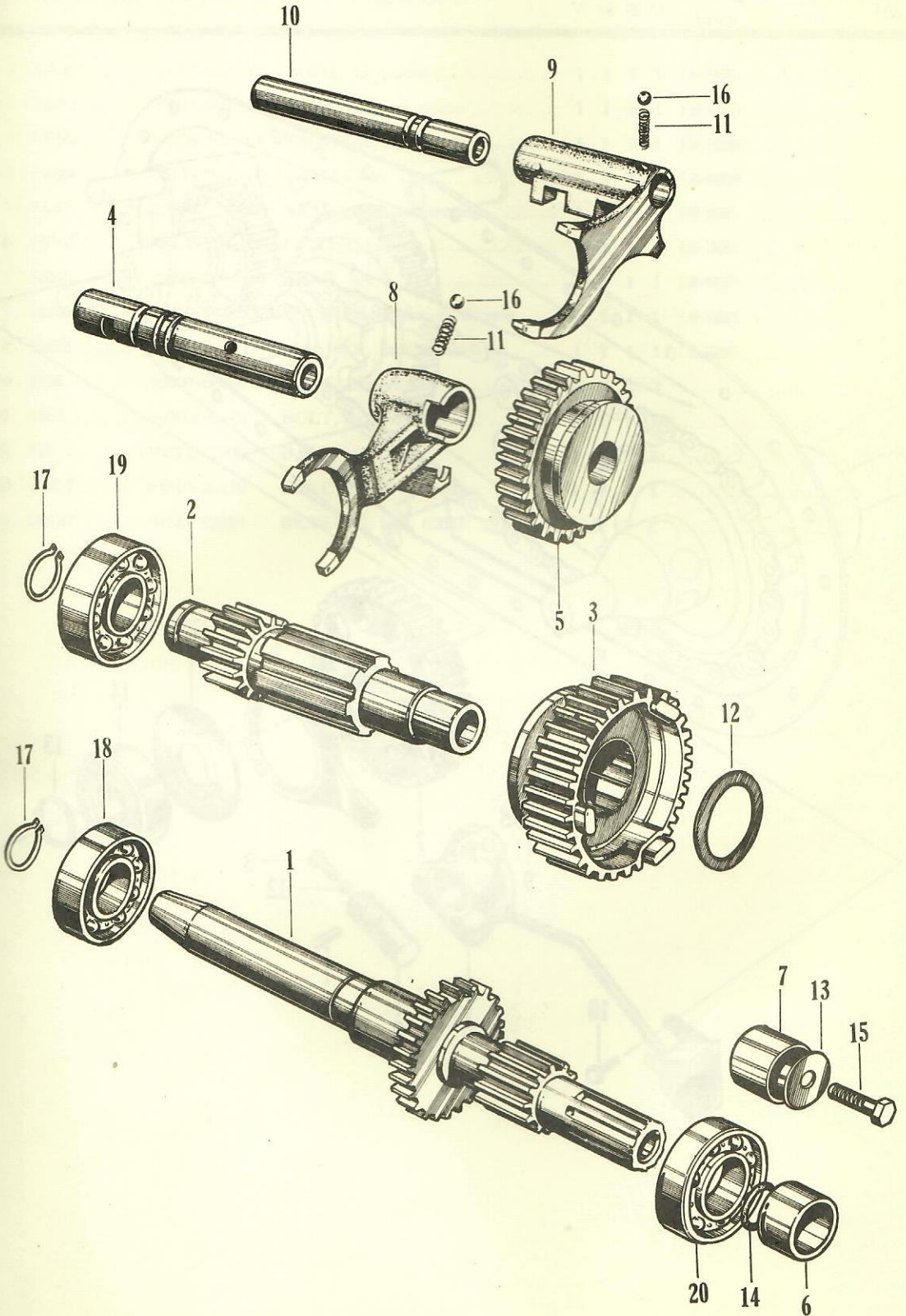
F-6 Left Case · Left Bearing Case

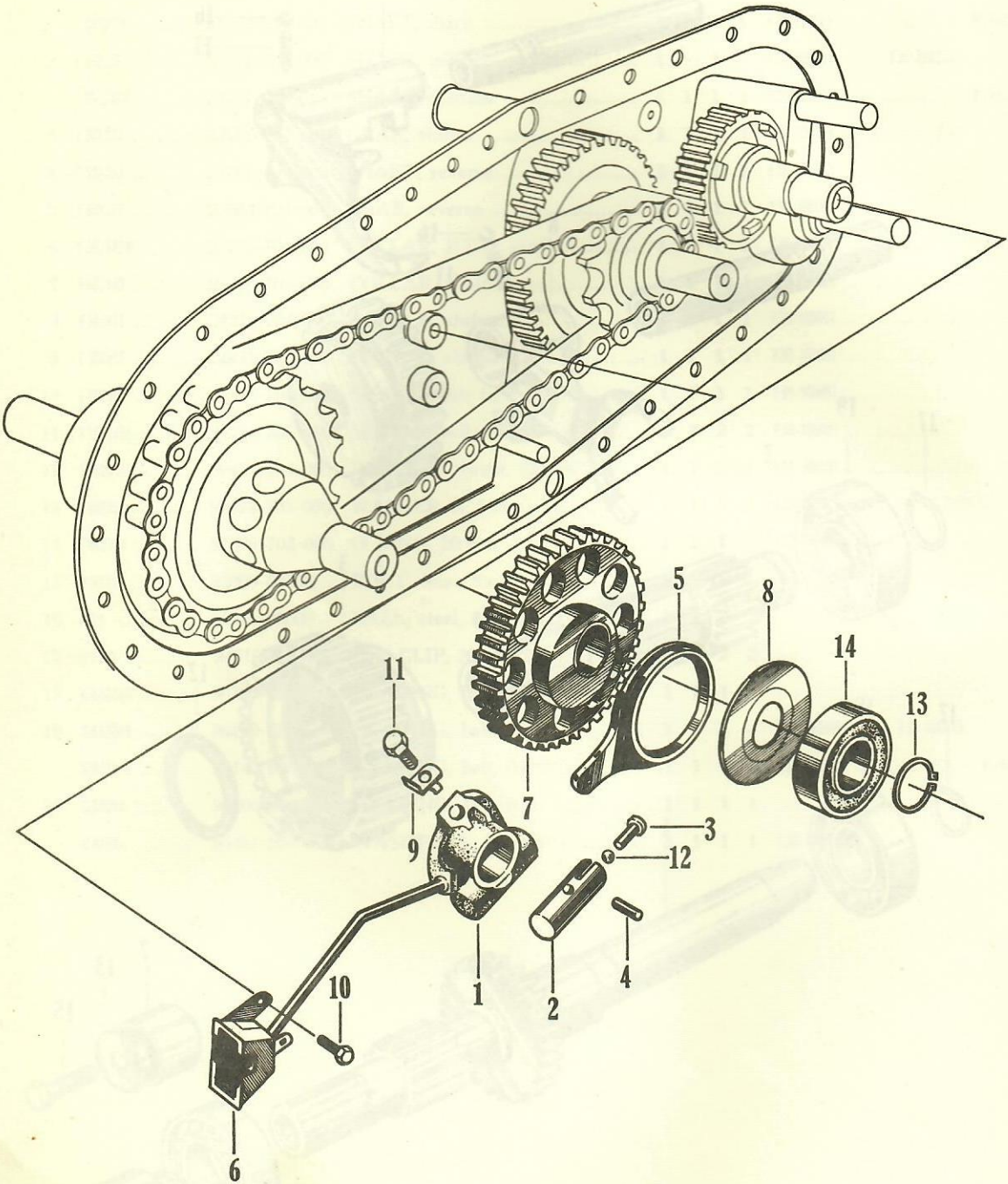
HONDA

Old Part No.	New Part No.	Description	No. Req'd.				No. Used on		News No.
			VI	VII	VIII	IX	From	To	
1 F301122	11801-704-000	STAY, engine.....	1	-	1	-	F30-100001		
2 F302102B	21210-704-020	CASE, left	1	-	1	-	F30-100001	F30-100215	
F302102G	21210-704-030	CASE, left	1	1	1	1	F30-100216		F/041
3 F302102-2A	21221-704-010	CASE, left bearing (Not sold) ...	1	1	1	1	F30-100001		
4 F302102-3A	21225-704-010	PACKING, left bearing caas.....	1	-	1	-	F30-100001	F30-100215	
F302102-3B	21225-704-020	PACKING, left bearing case.....	1	1	1	1	F30-100216		F/041
5 F302239	22874-704-000	BRACKET, outer stopper	1	-	1	-	F30-100001		
6 F302240	22875-704-000	STOPPER, outer	1	-	1	-	F30-100001		
7 F302701A	90081-704-010	BOLT, knock, 10 mm	1	-	1	-	F30-100001		
8 F302836	90473-704-000	WASHER, 31 mm.....	1	1	1	1	F30-100001		
9 F302837	90473-704-000	WASHER, 6×17	22	22	22	22	F30-100001		
10 F1502862	90488-700-000	WASHER A, 8 mm.....	1	1	1	1	F30-100001		
FY302932	91202-704-600	OIL SEAL, special, 20726	-	1	-	1	F30-100001		
11 F302933	91203-704-000	OIL SEAL, PJ58726.....	1	-	1	-	F30-100001		
12 F602935	91205-703-000	WATER SEAL, 305520	1	1	1	1	F30-100001		
13 BH612	92000-06012	BOLT, hex., 6×12	2	-	2	-			
14 BH614	92000-06014	BOLT, hex., 6×14	1	1	1	1			
15 BH825	92000-08025	BOLT, hex., 8×25	1	1	1	1			
16 NH6	94001-06000	NUT, hex., 6 mm	22	22	22	22			
17 NH10	94001-10000	NUT, hex., 10 mm	2	-	2	-			
18 WP6	94101-06000	WASHER, flat, 6 mm	2	-	2	-			
19 WP10	94101-10000	WASHER, flat, 10 mm	2	-	2	-			
20 WL6	94111-06000	WASHER, spring, 6 mm	22	22	22	22			
21 WL10	94111-10000	WASHER, spring, 10 mm	2	-	2	-			

HONDA

Ref. No.	Old Part No.	New Part No.	Description	No. Reqd.				No. Used on		News No.
				VI	VII	VIII	IX	From	To	
1	F 302321A.....	23220-704-010	SHAFT, drive	1	1	1	1	F 30-100001	F 30-107044	
	F 302321B.....	23220-704-020	SHAFT, drive	1	1	1	1	F 30-107045		H/042
2	F 302322	23211-704-000	SHAFT, mission	1	-	1	-	F 30-100001	F 30-100215	
	F 302322A.....	23211-704-010	SHAFT, mission	1	1	1	1	F 30-100216		H/041
3	F 302324	23571-704-000	GEAR, shifter	1	1	1	1	F 30-100001		
4	F 302326	23281-704-000	SHAFT, reverse	1	1	1	1	F 30-100001		
5	F 302327	23580-704-000	GEAR, reverse	1	1	1	1	F 30-100001		
6	F 302339W1	23715-704-303	COLLAR, P.T.O. shaft	1	1	1	1	F 30-100001		
7	F 602340	23716-703-000	COLLAR, shaft.....	1	1	1	1	F 30-100001		
8	F 302401	24211-704-000	FORK A, shift	1	1	1	1	F 30-100001		
9	F 302402	24221-704-000	FORK B, shift	1	1	1	1	F 30-100001		
10	F 302405	24111-704-000	SHAFT, shift fork	1	1	1	1	F 30-100001		
11	F 1502431.....	24271-700-000	SPRING, ball setting	2	2	2	2	F 30-100001		
12	F 302843	90453-704-000	WASHER, thrust, 22 mm	1	1	1	1	F 30-100001		
13	F 602864	90471-703-000	WASHER B, 8 mm	1	1	1	1	F 30-100001		
14	F 602954	91305-703-000	O RING, 20 mm	1	1	1	1	F 30-100001		
15	B H825.....	92000-08025	BOLT, hex., 8x25	1	1	1	1		
16	R B8	96211-08000	BALL, steel, #8.....	2	2	2	2		
17	C X201-1	94510-20110	CIR CLIP, 20 mm.....	2	2	2	2		
18	G B6204R	96140-62040	BEARING, ball, 6204R	1	1	1	1		
19	G B6204R	96140-62040	BEARING, ball, 6204R	1	-	1	-	F 30-100001	F 30-100215	
	G B6304R	96140-63040	BEARING, ball, 6304R	1	1	1	1	F 30-100216		H/041
25	G B6204	96100-62030	BEARING, ball, 6204	1	1	1	1		
	C 702861	90481-250-000	WASHER A, 6.5 mm	1	1	1	1	F 30-100001		





F-8 Oil Pump

HONDA

Ref. No.	Old Part No.	New Part No.	Description	No. Req'd.				No. Used on		News No.
				VI	VII	VIII	IX	From	To	
1	F301601	15211-704-000	BODY, oil pump	1	1	1	1	F30-100001		
2	F301602	25231-704-000	PLUNGER, oil pump	1	1	1	1	F30-100001		
3	F301603	25275-704-000	STOPPER, ball	1	1	1	1	F30-100001		
4	F301604	25235-704-000	PIN, 4.5 mm	1	1	1	1	F30-100001		
5	F301612	25280-704-000	ARM, pump connecting	1	1	1	1	F30-100001		
6	F301613	15420-704-000	FILTER, oil	1	1	1	1	F30-100001		
7	F302323	23411-704-000	GEAR, low	1	1	1	1	F30-100001		
8	F302842	90452-704-000	WASHER B, thrust, 20 mm	1	1	1	1	F30-100001		
9	F302851	90432-704-000	WASHER, lock, 6 mm	1	1	1	1	F30-100001		
10	BH606	92000-06006	BOLT, hex., 6x6	2	2	2	2			
11	BH612	92000-06012	BOLT, hex., 6x12	1	1	1	1			
12	RB7	96211-07000	BALL, steel, #7	1	1	1	1			
13	CX201-2	94510-20110	CIR CLIP, 20 mm	1	1	1	1			
14	GB6204R	96140-62040	BEARING, ball, 6204R	1	1	1	1			

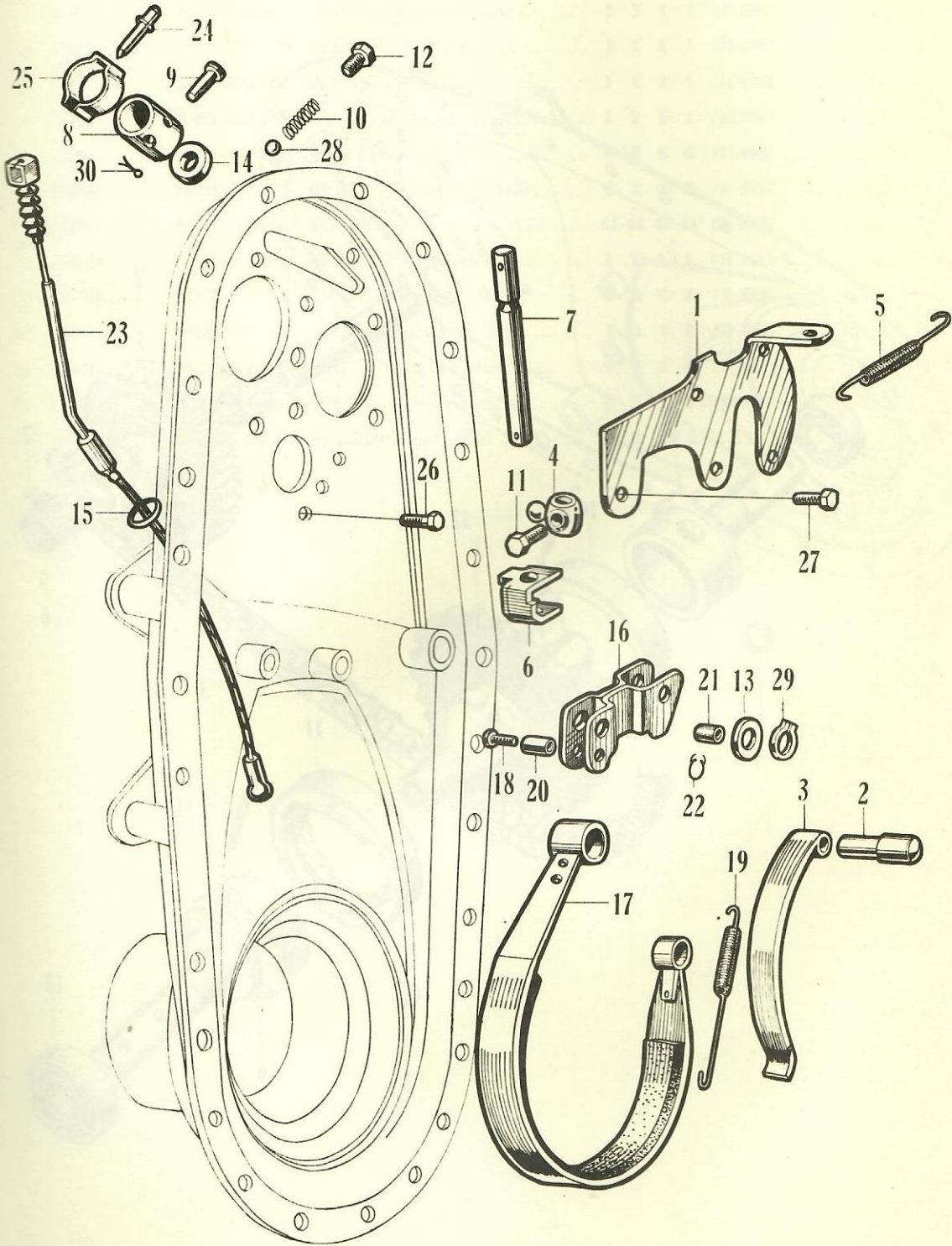
F-9 Change Shaft · Brake Shoe

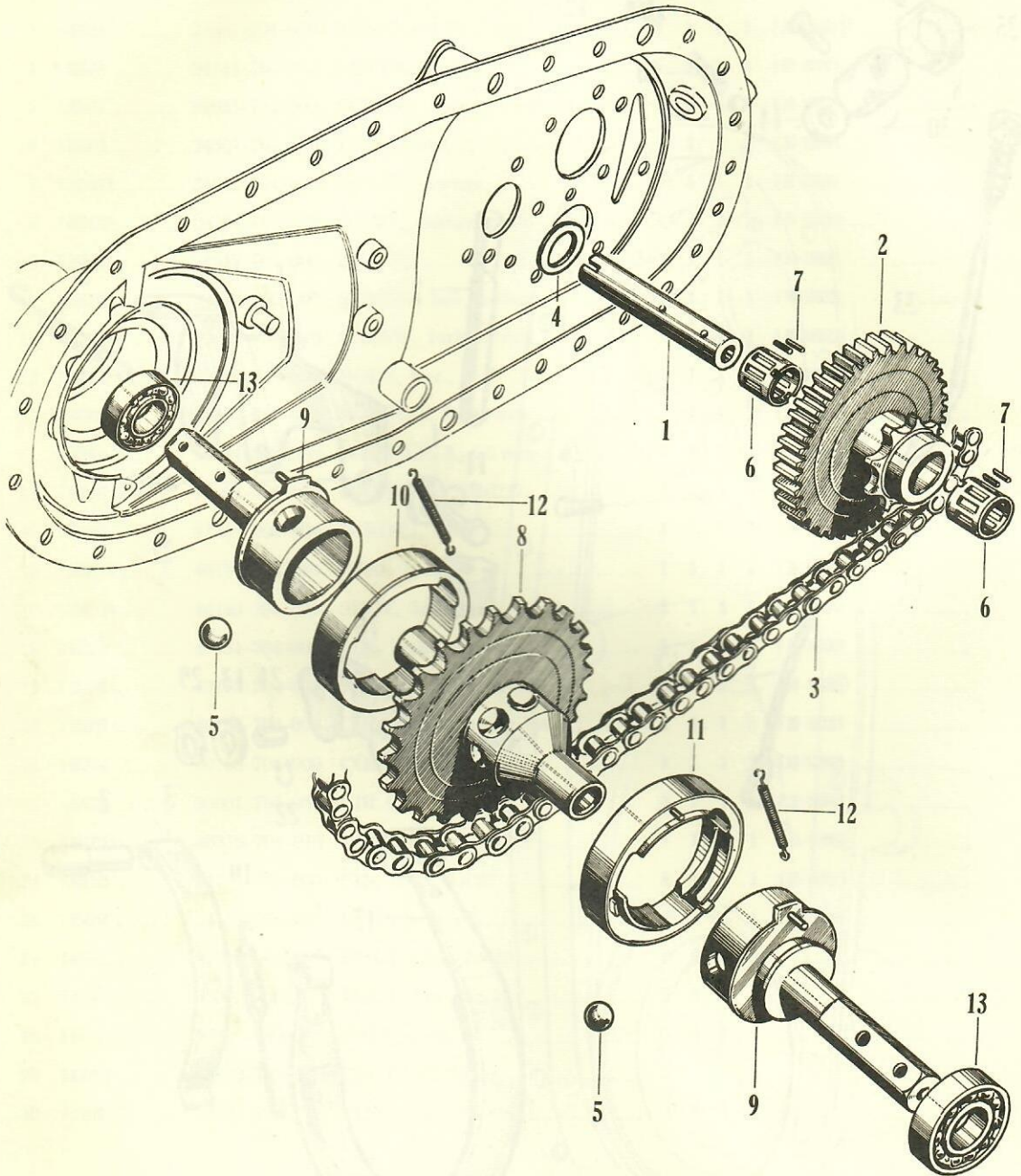
HONDA

Ref. No.	Old Part No.	New Part No.	Description	No. Req'd.				No. Used on		News No.
				VI	VII	VIII	IX	From	To	
1	F302103	23902-704-000	STOPPER, bearing	1	1	1	1	F30-100001		
2	F302345	23662-704-000	SHAFT, tensioner	1	1	1	1	F30-100001		
3	F302346	23661-704-000	TENSIONER, chain	1	1	1	1	F30-100001		
4	F302411	24611-704-000	LEVER, change	1	1	1	1	F30-100001		
5	F302412	24631-704-000	SPRING, change shaft return	1	1	1	1	F30-100001		
6	F302413	24301-704-000	LOCK, inter	1	1	1	1	F30-100001		
7	F302421A	24511-704-010	SHAFT, change	1	1	1	1	F30-100001		
8	F302425A	24531-704-010	JOINT, change shaft	1	1	1	1	F30-100001		
9	F302427	24517-704-000	PIN, 5 φ	1	1	1	1	F30-100001		
10	F1502431	24271-700-000	SPRING, ball setting	1	1	1	1	F30-100001		
11	F1502701A	90021-700-010	SCREW, fork setting	1	1	1	1	F30-100001		
12	F1502707	90086-700-000	BOLT, hex., 8×8	1	1	1	1	F30-100001		
13	F302832	90472-704-000	WASHER B, 10 mm	1	1	1	1	F30-100001		
	C702861	90481-250-000	WASHER A, 6.5 mm	1	1	1	1	F30-100001		
14	F302931	91201-704-000	OIL SEAL, PJ10227	1	1	1	1	F30-100001		
15	F302951	91301-704-000	O RING, 6 mm	1	1	1	1	F30-100001		
16	F303211A	40130-704-010	ARM, brake	1	1	1	1	F30-100001		
17	F303213B	40140-704-020	SHOE, brake	1	1	1	1	F30-100001		
18	F303215	40151-704-000	PIN, brake shoe	1	1	1	1	F30-100001		
19	F303216	40175-704-000	SPRING, brake return	1	1	1	1	F30-100001		
20	F303217	40152-704-000	COLLAR A, brake bat	1	1	1	1	F30-100001		
21	F303218	40153-704-000	COLLAR B, brake bat	1	1	1	1	F30-100001		
22	F303220	90601-704-000	CIR CLIP, 6 mm	1	1	1	1	F30-100001		
23	F303225A	40310-704-010	WIRE A, side clutch	1	1	1	1	F30-100001		
24	F304753	54171-704-000	PIN, joint, 5×28	1	1	1	1	F30-100001		
25	F304754	54172-704-000	CLIP, joint pin	1	1	1	1	F30-100001		
26	BH612	92000-06012	BOLT, hex., 6×12	9	9	9	9			
27	BH614	92000-06014	BOLT, hex., 6×14	5	5	5	5			
28	RB8	96211-08000	BALL, steel # 8	1	1	1	1			
29	CX101-0	94510-10100	CIR CLIP, 10 mm	1	1	1	1			
30	PC1610	94201-16100	PIN, cotter, 1.6 mm	1	1	1	1			

F-9 Change Shaft · Brake Shoe

HONDA





F-10 Wheel Shaft

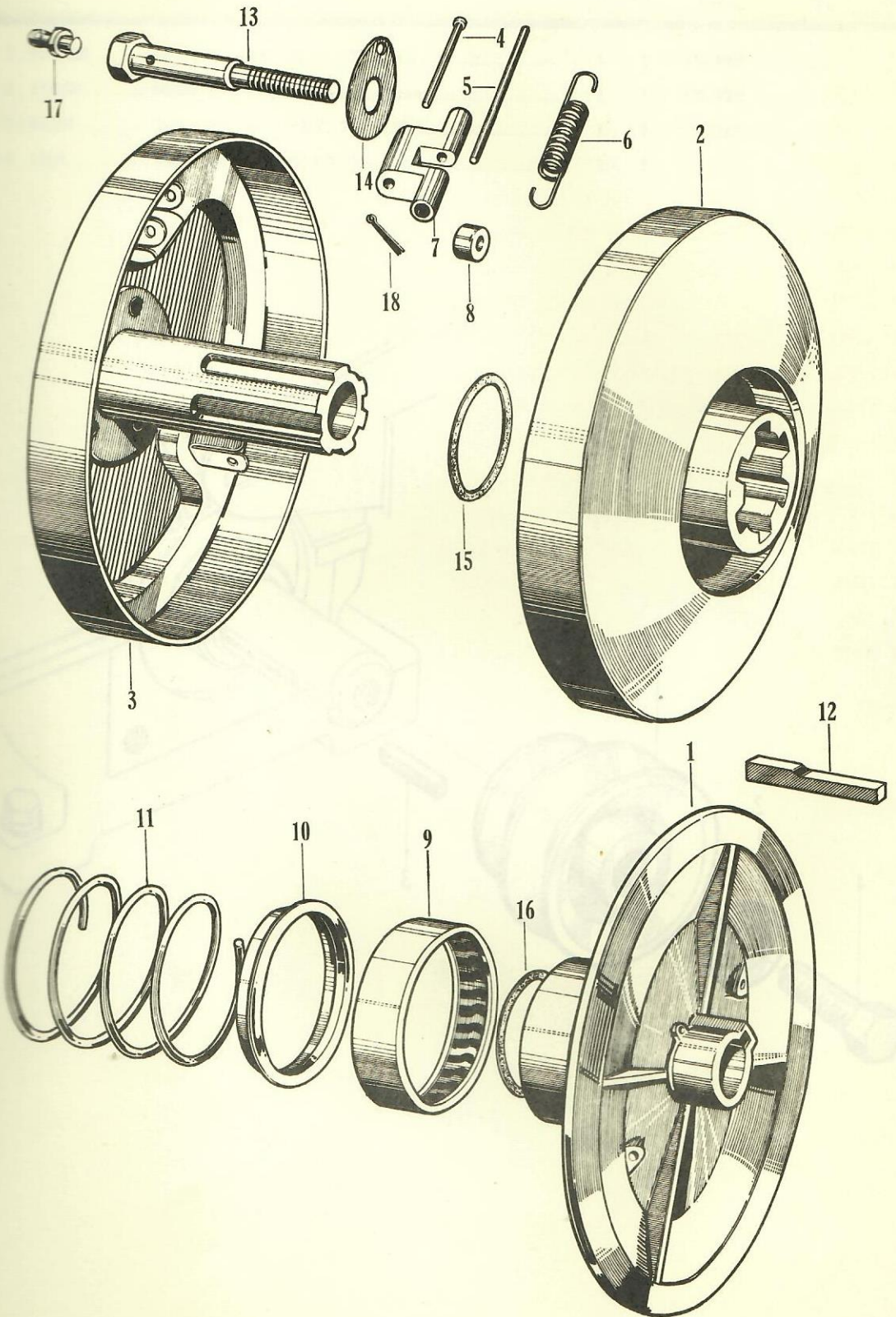
HONDA

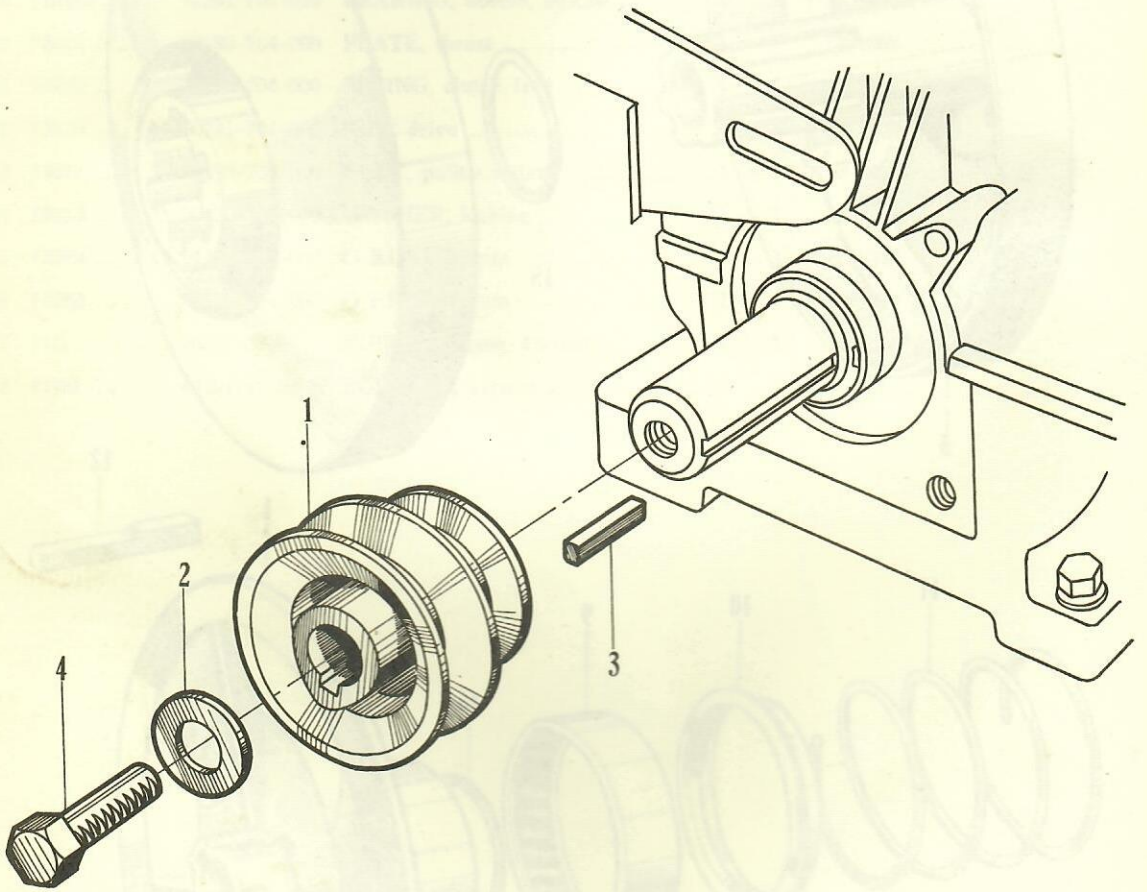
Ref. No.	Old Part No.	New Part No.	Description	No. Req'd.				No. Used on		News No.
				VI	VII	VIII	IX	From	To	
1	F302331	23671-704-000	SHAFT, drive sprocket	1	1	1	1	F30-100001		
2	F302332	23675-704-000	SPROCKET, drive	1	1	1	1	F30-100001		
3	F302341	23651-704-000	CHAIN, drive	1	1	1	1	F30-100001		
4	F302841	90451-704-000	WASHER A, thrust, 20 mm	1	1	1	1	F30-100001		
5	F302901	90921-704-000	BALL, steel, 5/8	6	6	6	6	F30-100001		
6	F602903A	91023-703-010	BEARING, needle, 202423	2	2	2	2	F30-100001		
7	F1902926	91105-701-000	ROLLER, 2x13.8	44	44	44	44	F30-100001		
8	F303121A	23685-704-010	SPROCKET, driven	1	1	1	1	F30-100001		
9	F303131B	23370-704-020	SHAFT, wheel	2	2	2	2	F30-100001		
10	F303201C	40110-704-030	OUTER, right side clutch	1	1	1	1	F30-100001		
11	F303202C	40120-704-030	OUTER, left side clutch	1	1	1	1	F30-100001		
12	F303204	40171-704-000	SPRING, outer return	2	2	2	2	F30-100001		
13	GB6206	96100-62060	BEARING, ball, 6206	2	2	2	2			

Ref. No.	Old Part No.	New Part No.	Description	No. Reqd.		No. Used on		News No.
				VI	VIII	From	To	
1	F302201	22511-704-000	PULLEY A, drive.....	1	1	F30-100001	
2	F302202	22515-704-000	PULLEY B, drive.....	1	1	F30-100001	
3	F302203	22100-704-000	COVER, drive pulley B.....	1	1	F30-100001	
4	F302204	22522-704-000	PIN, varying pitch weight.....	3	3	F30-100001	
5	F302205	22526-704-000	HOOK, spring	3	3	F30-100001	
6	F302206	22527-704-000	SPRING, weight return	3	3	F30-100001	
7	F302207	22527-704-000	WEIGHT, varying pitch.....	3	3	F30-100001	
8	F302208A	22525-704-010	ROLLER, varying pitch weight..	3	3	F30-100001	
9	F302209A	91201-704-010	BEARING, needle, 50×26.....	1	1	F30-100001	
10	F302211	23192-704-000	PLATE, thrust	1	1	F30-100001	
11	F302212	22411-704-000	SPRING, clutch free	1	1	F30-100001	
12	F302213	90741-704-000	KEY, drive	1	1	F30-100001	
13	F302214	23193-704-000	BOLT, pulley setting	1	1	F30-100001	
14	F302215	90433-704-000	WASHER, locking	1	1	F30-100001	
15	F302954	91303-704-000	O RING, 35 mm	1	1	F30-100001	
16	F302955	91304-704-000	O RING, 42 mm	1	1	F30-100001	
17	LF45	96201-30000	NIPPLE, grease, 4.5 mm.....	1	1		
18	PG1010	94201-10102	PIN, cotter, 1.0 mm	3	3		

F-11 Drive Pulley (I)

HONDA





F-12 Drive Pulley (II)

HONDA

Ref. No.	Old Part No.	New Part No.	Description	No. Req'd.		No. Used on		News No.
				VI	IX	From	To	
1	F2Y302201	23121-704-600	PULLEY, drive	1	1	F30-100001		
2	GY302330.....	90473-704-600	WASHER, 8 mm	1	1	F30-100001		
3	G302811	90741-805-000	KEY, 7×7×33	1	1	F30-100001		
4	BH825.....	92000-08025	BOLT, hex., 8×25	1	1		

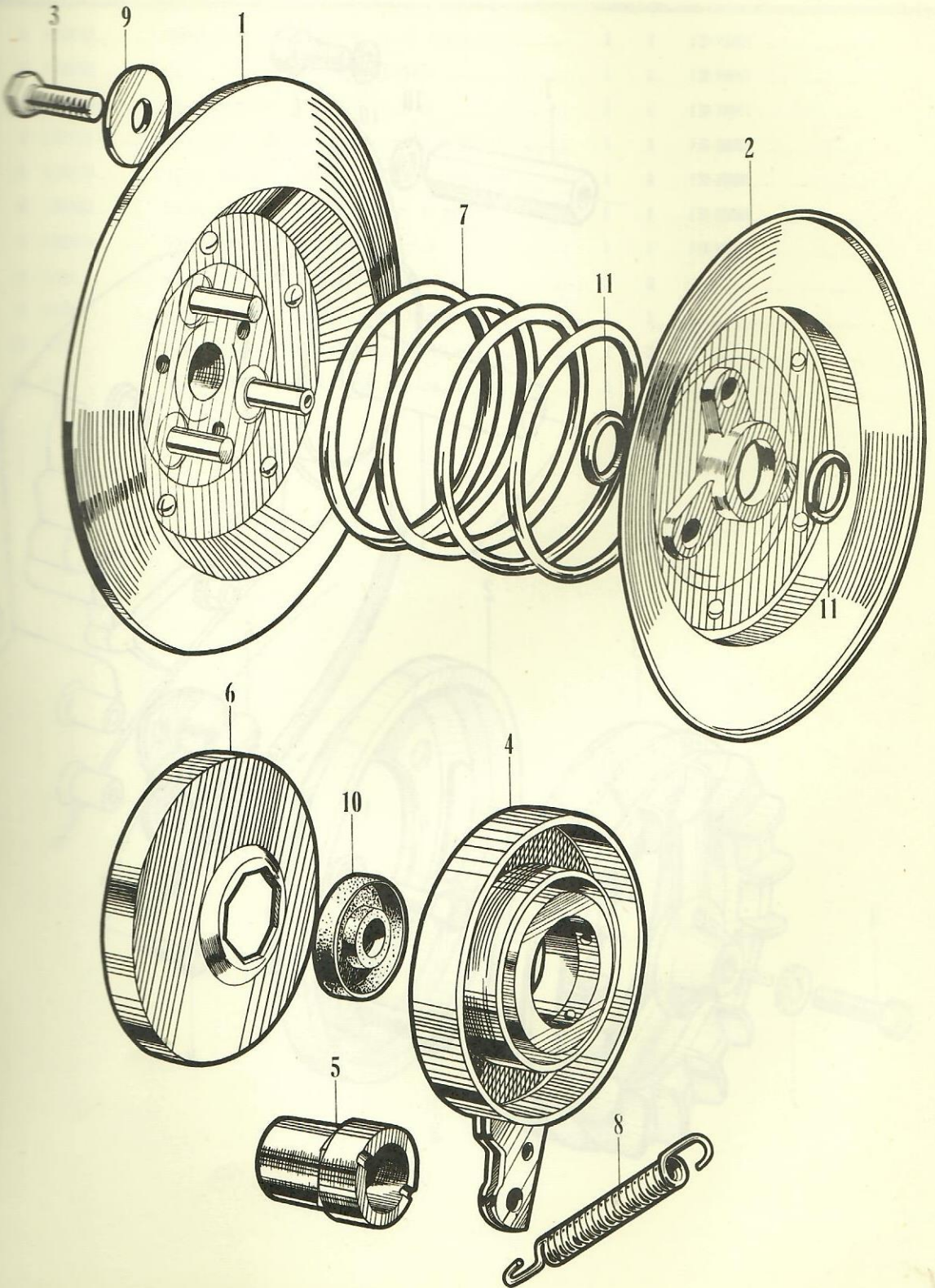
F-13 Driven Pulley (I)

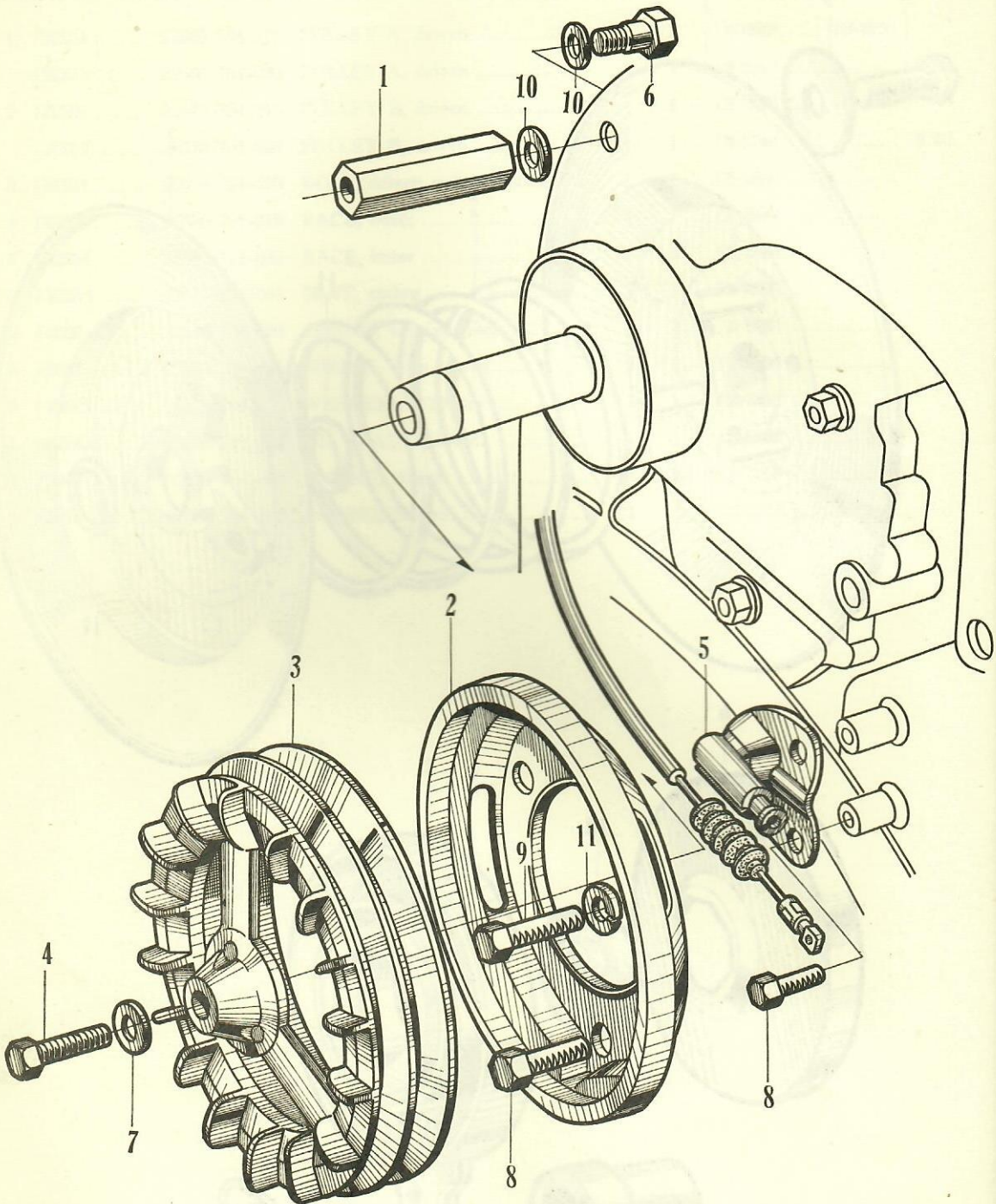
HONDA

Ref. No.	Old Part No.	New Part No.	Description	No. Req'd.		No. Used on		News No.
				VI	VII	From	To	
1	F302231A	22560-704-010	PULLEY A, driven	1	1	F30-100001	F30-107044	
	F302231B	22560-704-020	PULLEY A, driven	1	1	F30-107045		H/042
2	F302232A	22570-704-010	PULLEY B, driven	1	1	F30-100001	F30-107044	
	F302232B	22570-704-020	PULLEY B, driven	1	1	F30-107045		H/042
3	F302233B	90026-704-020	BOLT, driven pulley locking	1	1	F30-100001		
4	F302234A	22580-704-010	RACE, outer	1	1	F30-100001		
5	F302235B	22585-704-020	RACE, inner	1	1	F30-100001		
6	F302235-2	22587-704-300	SEAT, spring	1	1	F30-100001		
7	F302237	22595-704-000	SPRING, varying pitch	1	1	F30-100001		
8	F302241	22881-704-000	SPRING, wire return	1	1	F30-100001		
9	F302831A	90471-704-010	WASHER A, 10 mm	1	1	F30-100001		
10	F302932A	91202-704-010	OIL SEAL, PJ28408	1	1	F30-100001		
11	F302953	91302-704-000	O RING, 20 mm	2	2	F30-100001		
	F302956	91305-704-000	O RING, 24 mm	1	1	F30-100001		

F-13 Driven Pulley (I)

HONDA





F-14 Driven Pulley (II)

HONDA

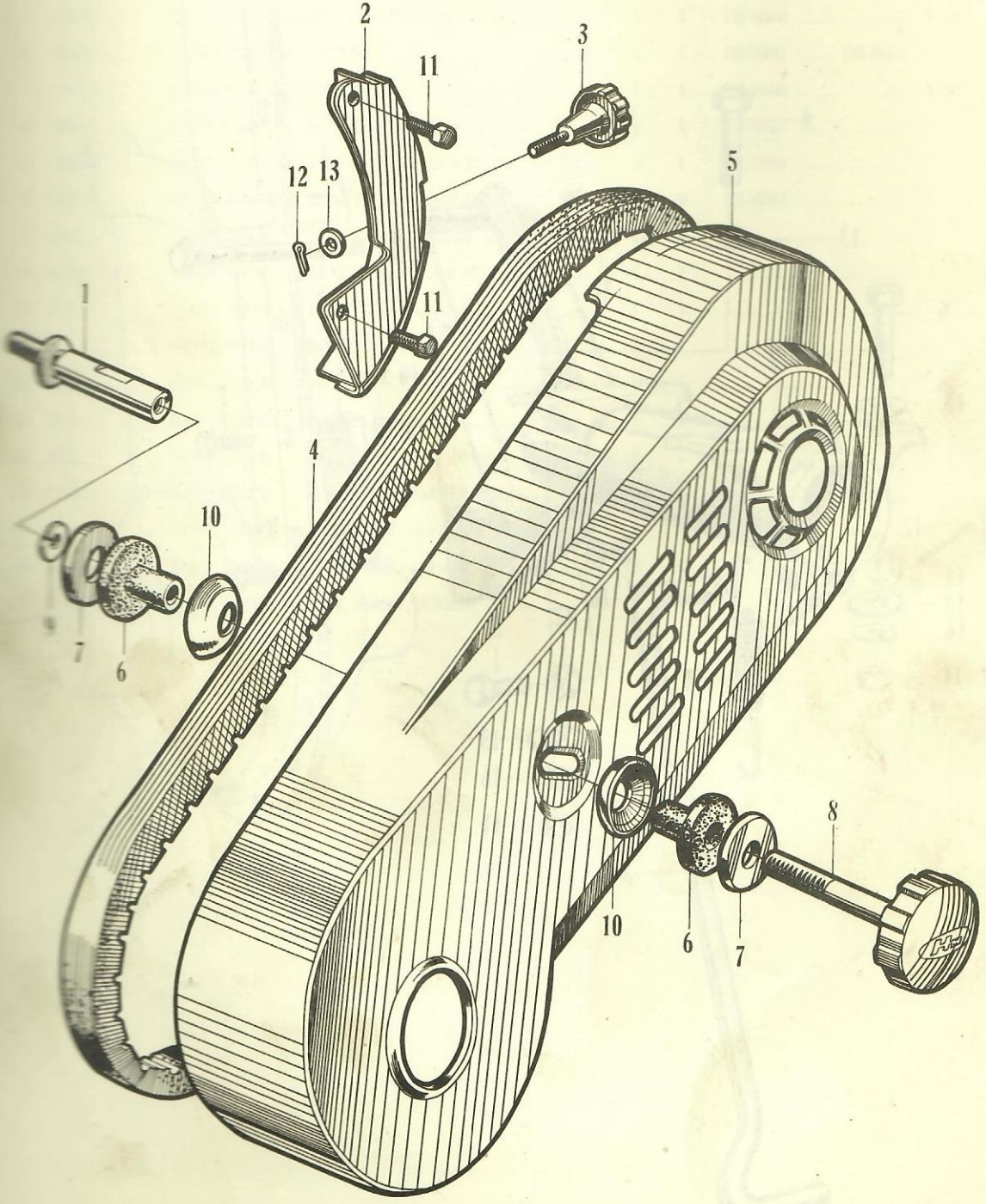
Old Part No.	New Part No.	Description	No. Req'd.		No. Used on		News No.
			VII	IX	From	To	
1 FY301121.....	90091-704-600	SCREW, cover support	1	1	F30-100001		
2 FY302105.....	21811-704-600	STAY, belt cover	1	1	F30-100001		
3 FZ1302231	23141-704-600	PULLEY, driven	1	1	F30-100001		
4 F302233B	90026-704-020	BOLT, driven pulley locking.....	1	1	F30-100001		
5 FY302239.....	22874-704-600	BRACKET, outer stopper	1	1	F30-100001		
6 F302701A.....	90081-704-010	BOLT, knock, 10 mm	1	1	F30-100001		
7 F302831A.....	90471-704-010	WASHER, 8 mm	1	1	F30-100001		
8 B4612	92000-06012	BOLT, hex., 6×12	3	3		
9 B41022	92000-10022	BOLT, hex., 10×22	1	1		
10 WPT0	94101-10000	WASHER, flat, 10 mm	2	2		
11 WL10	94111-10000	WASHER, spring, 10 mm	1	1		

HONDA

Ref. No.	Old Part No.	New Part.No.	Description	No. Req'd.				No. Used on		News No.
				VI	VII	VIII	IX	From	To	
1	F301121B.....	90091-704-020	SCREW, cover support	1	-	1	-	F30-100001		
2	F302105B.....	21811-704-020	STAY, belt cover	1	-	1	-	F30-100001		
3	F302106	21821-704-000	LATCH A, belt cover.....	1	-	1	-	F30-100001		
4	F302242	23161-704-000	BELT, varying pitch	1	-	1	-	F30-100001		
	F2Y302242	23161-704-630	V BELT, B type	-	1	-	1	F30-100001		
5	F304651B.....	63610-704-020	COVER, belt	1	-	1	-	F30-100001		
	FY304651.....	63610-704-000	COVER, belt	-	1	-	1	F30-100001		
6	F304653B.....	63692-704-020	RUBBER B, cushion	2	2	2	2	F30-100001		
7	F304654A.....	90581-704-010	WASHER, special, 8 ϕ	2	2	2	2	F30-100001		
8	F304655B.....	63681-704-020	LATCH B, belt cover.....	1	1	1	1	F30-100001		
9	F304656	63687-704-000	STOPPER, latch	1	1	1	1	F30-100001		
10	F304657	63693-704-000	PLATE, cushion rubber side.....	2	2	2	2	F30-100001		
11	BH612.....	92000-06012	BOLT, hex „6x12	2	-	2	-		
12	PG1010	94201-10100	PIN, cotter, 1.0 mm	1	-	1	-		
13	WP6	94101-06000	WASHER, flat, 6 mm	1	-	1	-		

F-15 Belt Cover

HONDA



F-16 Engineframe (I)

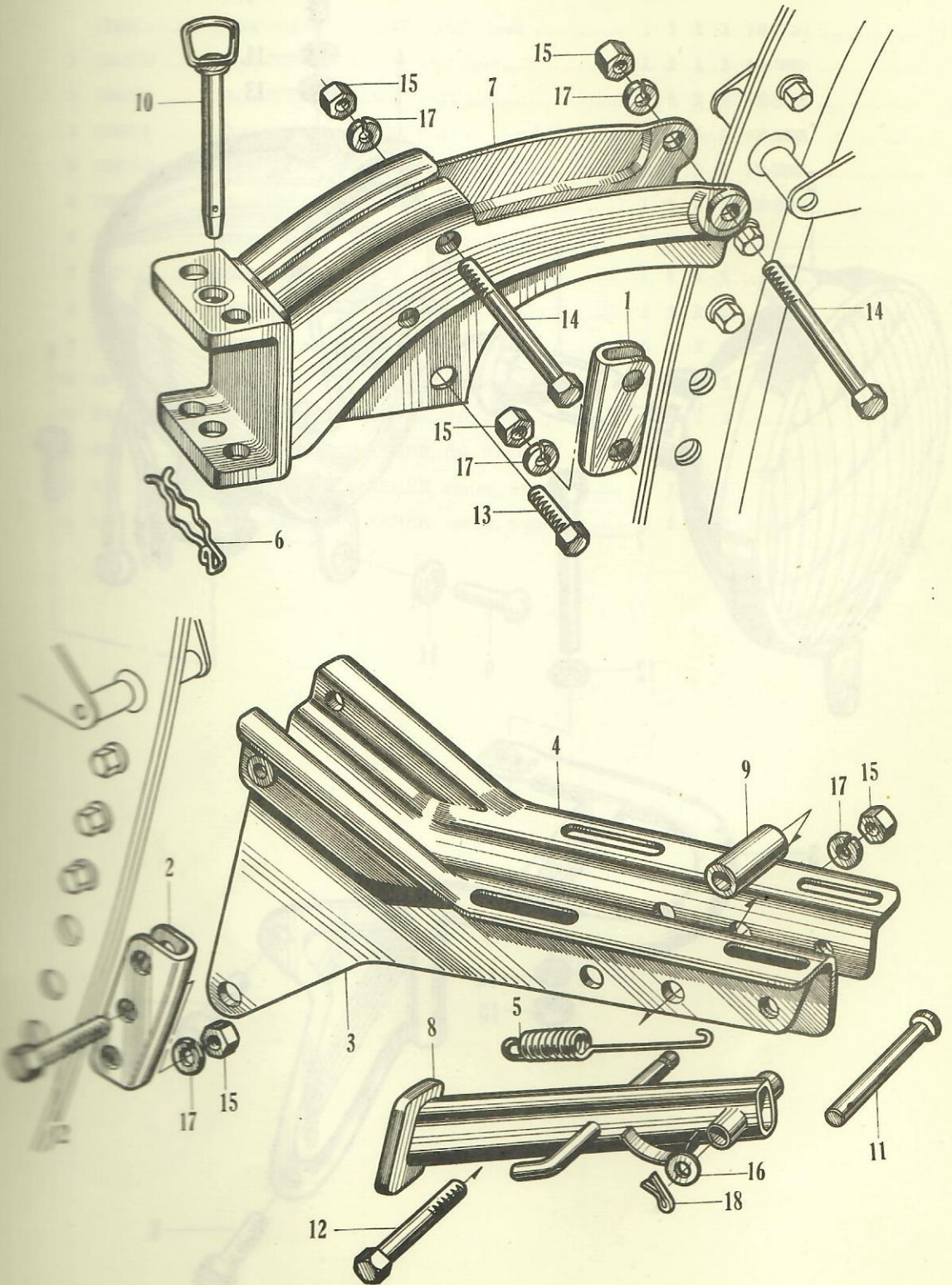
HONDA

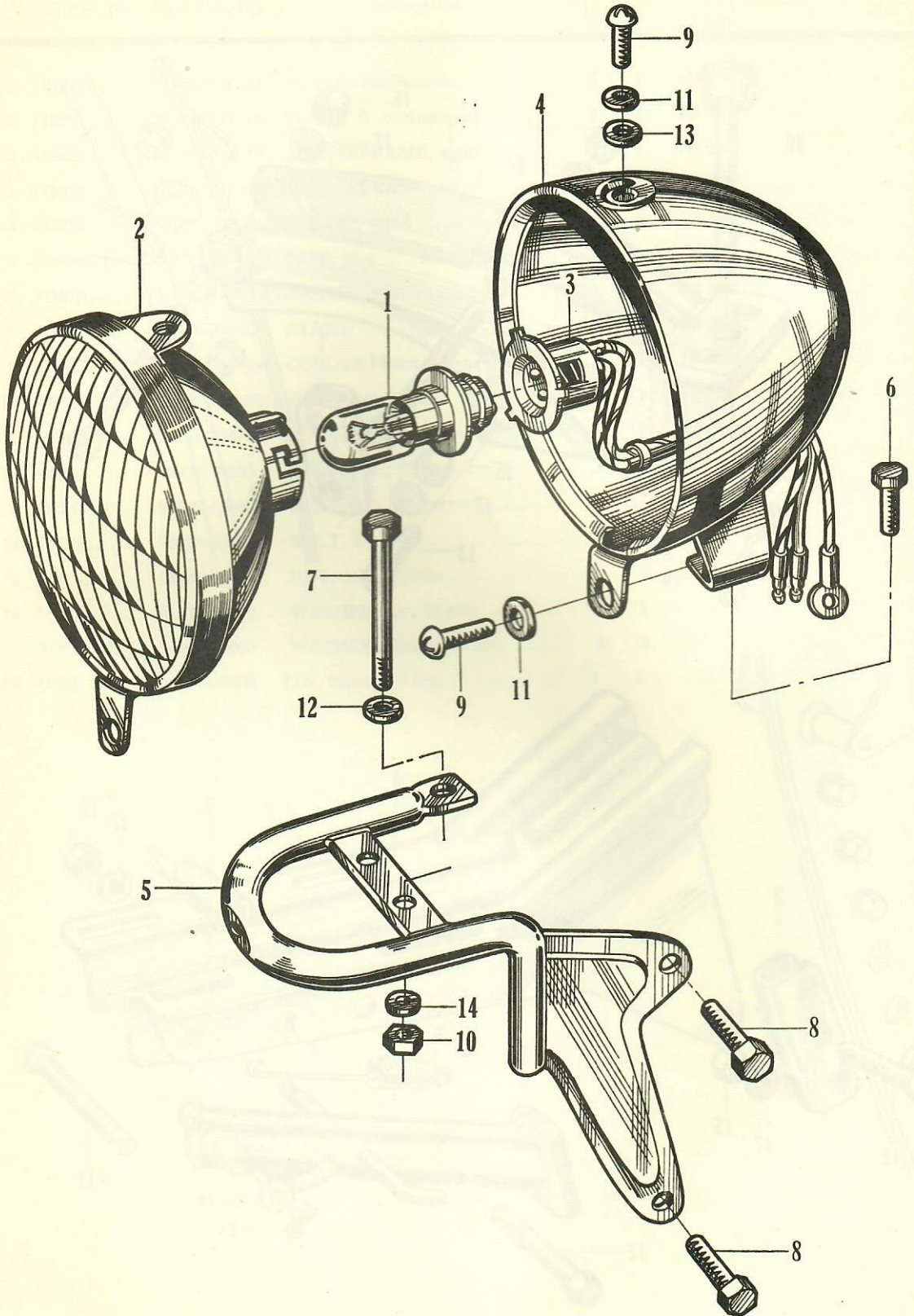
Ref. No.	Old Part No.	New Part No.	Description	No. Reqd.		No. Used on		News No.
				VI	VIII	From	To	
1	F2104	21801-704-010	PLATE, combination	1	1	F30-100001		
2	F2101	51110-704-000	ENGINEFRAME	1	1	F30-100001	F30-106643	
	F2102	51110-704-010	ENGINEFRAME	1	1	F30-106644		H/048
3	F2103	51510-704-000	STAND	1	1	F30-100001	F30-106643	
	F2104	51510-704-010	STAND	1	1	F30-106644		H/045
4	F2105	51521-704-000	SPRING, stand	1	1	F30-100001		
5	F2106	90133-704-010	BOLT, hex., 12×35	1	1	F30-100001		
6	F2107	90131-704-000	BOLT, hex., 10×38	4	4	F30-100001		
7	F2108	92000-06018	BOLT, hex., 6×18	1	1			
8	F2109	92000-10050	BOLT, hex., 10×50	1	1			
9	F2110	92000-10100	BOLT, hex., 10×100	1	1			
10	F2111	94001-06000	NUT, hex., 6 mm	1	1			
11	F2112	94001-10000	NUT, hex., 10 mm	6	6			
12	F2113	94002-12000	NUT, thin, 12 mm	1	1			
13	F2114	94101-10000	WASHER, flat, 10 mm	8	8			
14	F2115	94101-12000	WASHER, flat, 12 mm	1	1			
15	F2116	94111-06000	WASHER, spring, 6 mm	1	1			
16	F2117	94111-10000	WASHER, spring, 10 mm	6	6			
17	F2118	94201-30200	PIN, cotter, 3.0 mm	1	1			

F-17 Engineframe (II)

HONDA

Ref. No.	Old Part No.	New Part No.	Description	No. Reqd.		No. Used on		News No.
				VI	IX	From	To	
1	F 302104A.....	21801-704-010	PLATE, combination	1	1	F 30-100001		
2	F Y302107.....	21971-704-630	PLATE B, combination	1	1	F 30-100001		
3	F Y304101.....	51110-704-600	ENGINEFRAME, right	1	1	F 30-100001		
4	F Y304102.....	51510-704-600	ENGINEFRAME, left.....	1	1	F 30-100001		
5	F Y304103.....	51521-704-600	SPRING, stand	1	1	F 30-100001		
6	F Y604105.....	50671-703-810	CLIP, 16 φ	1	1	F 30-100001		
7	F Y304110.....	50310-704-600	FRAME, main	1	1	F 30-100001		
8	F Y304112.....	51510-704-600	STAND	1	1	F 30-100001		
9	F Y304115.....	51581-704-600	COLLAR, stand distance	1	1	F 30-100001		
10	F 604914A.....	51620-703-010	PIN, weight holder	1	1	F 30-100001		
11	F Y307804.....	90754-704-810	PIN, round head, 10×51	1	1	F 30-100001		
12	B H1050	92000-10050	BOLT, hex., 10×15	2	2		
13	B H1060	92000-10060	BOLT, hex., 10×60	1	1		
14	B H101C4	92000-10140	BOLT, 10×104	2	2		
15	N H10	94001-10000	NUT, hex., 10mm.....	5	5		
16	W P12	94101-12000	WASHER, flat, 12 mm	1	1		
17	W L10	94111-10000	WASHER, spring, 10 mm	5	5		
18	P C3020	94201-30200	PIN, cotter, 3.0 mm	1	1		





F-18 Head Light

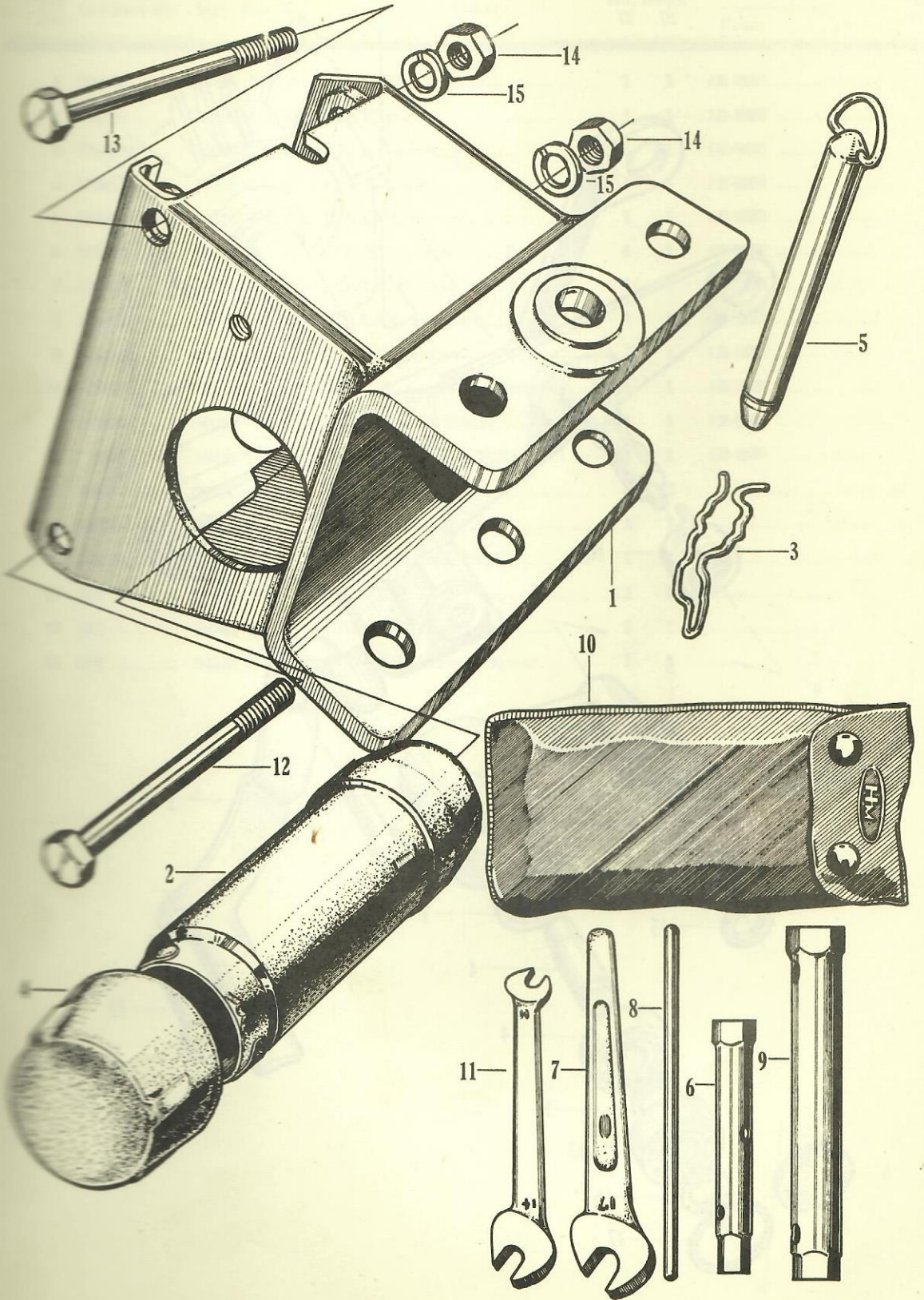
HONDA

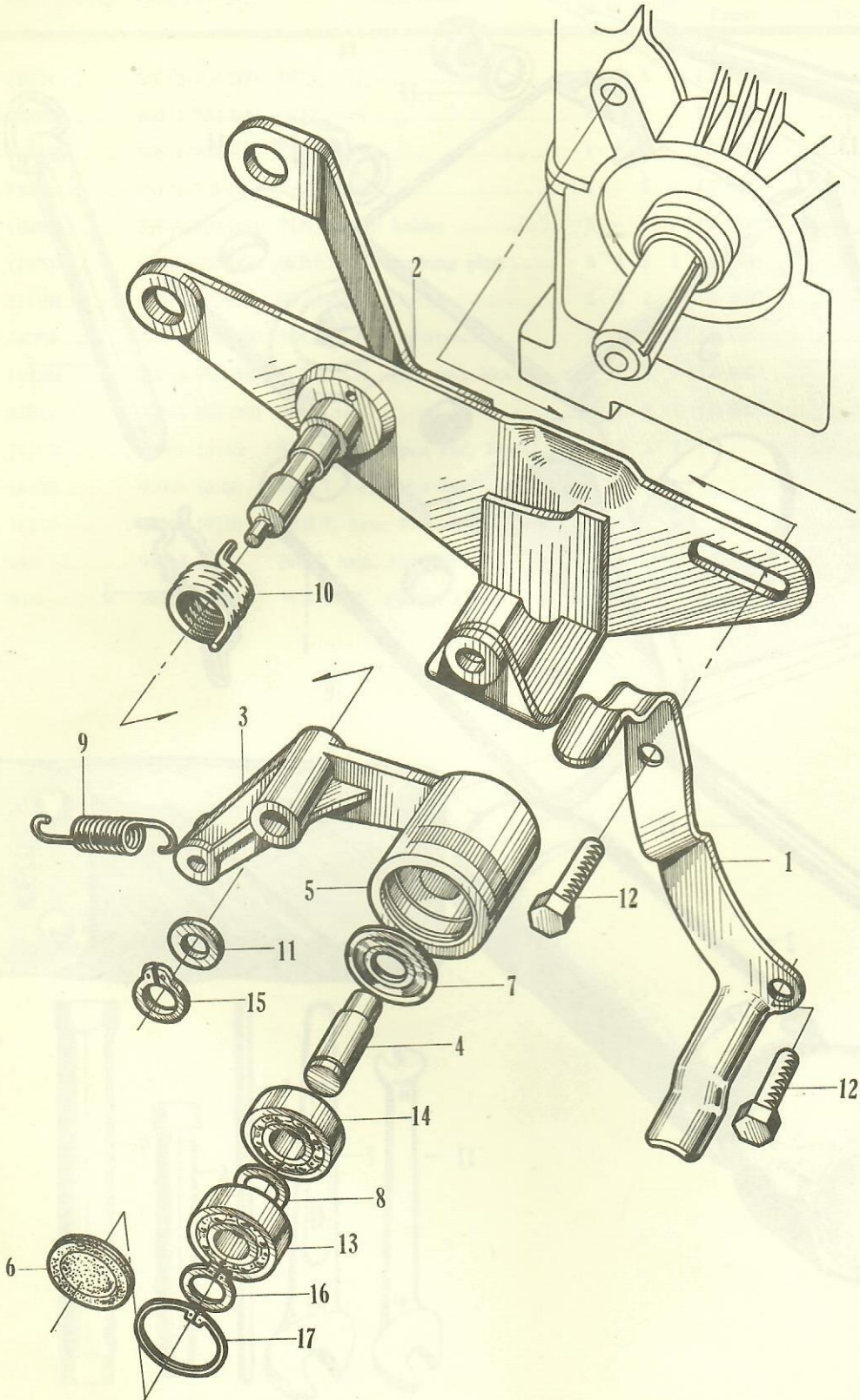
Ref. No.	Old Part No.	New Part No.	Description	No. Req'd.				No. Used on		News No.
				VI	VII	VIII	IX	From	To	
	F304811	33100-704-000	LIGHT ASSY., head	1	1	1	1	F30-100001		
1	0204811-1	34901-030-000	BULB, head light	1	1	1	1	F30-100001		
2	F304811-3	33110-704-000	LENS, UNIT	1	1	1	1	F30-100001		
3	F304811-9	33120-704-000	SOCKET ASSY., head light	1	1	1	1	F30-100001		
4	F304811-21	33130-704-000	BODY, head light	1	1	1	1	F30-100001		
5	F304811A	33160-704-010	HOLDER, light	1	1	1	1	F30-100001		
6	B8672	92000-06012	BOLT, hex., 6×12	2	2	2	2			
7	B8675	92000-06075	BOLT, hex., 6×75	1	1	1	1			
8	B8816	92000-08016	BOLT, hex., 8×16	2	2	2	2			
9	JF408	93500-04008	SCREW, cross., 4×8	2	2	2	2			
10	N86	94001-06000	NUT, hex., 6 mm	2	2	2	2			
11	W74	94101-04000	WASHER, flat, 4 mm	2	2	2	2			
12	W76	94101-06000	WASHER, flat, 6 mm	1	1	1	1			
13	W14	94111-04000	WASHER, spring, 4 mm	1	1	1	1			
14	W16	94111-06000	WASHER, spring, 6 mm	2	2	2	2			

F-19 Hitch Box • Tool

HONDA

Ref. No.	Old Part No.	New Part No.	Description	No. Req'd.				No. Used on		News No.
				VI	VII	VIII	IX	From	To	
1	F304104	50610-704-000	BOX, hitch	1	-	1	-	F30-100001		
2	F304105	83111-704-000	BOX, tool	1	-	1	-	F30-100001		
3	F Y604105	50671-703-810	CLIP, 16 φ	1	-	1	-	F30-100001		
4	F304106	83121-704-000	CAP, tool	1	-	1	-	F30-100001		
5	F604914A	51620-703-010	PIN, weight holder	1	-	1	-	F30-100001		
6	F305951	89216-704-000	WRENCH, sparking plug	1	1	1	1	F30-100001		
7	TLS1719	99001-17190	SPANNER, 17×19	1	1	1	1	F30-100001		
8	G305953	89219-805-000	HANDLE, box wrench	1	1	1	1	F30-100001		
9	F1505954	89214-700-000	WRENCH, open end, 10×14	1	1	1	1	F30-100001		
10	G305955	83151-805-000	BAG, tool	1	1	1	1	F30-100001		
11	TLS1014	99001-10140	SPANNER, open end, 10×14	1	1	1	1			
12	BH10100	92000-10100	BOLT, hex., 10×100	1	-	1	-			
13	BH10110	92000-10110	BOLT, hex., 10×110	1	-	1	-			
14	NH10	94001-10000	NUT, hex., 10 mm	2	-	2	-			
15	WL10	94111-10000	WASHER, spring, 10 mm	2	-	2	-			





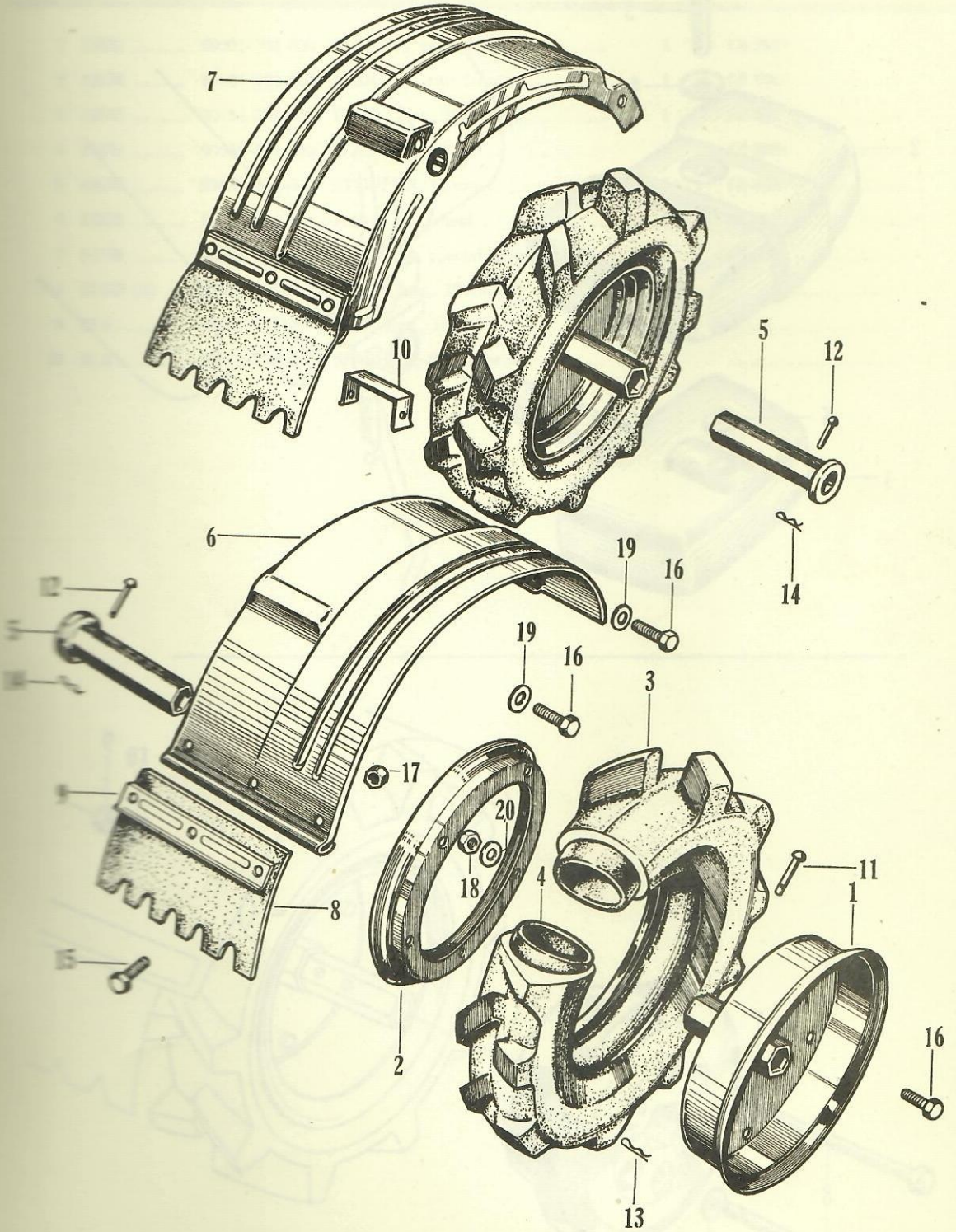
F-20 Engine Stay · Tension Arm

HONDA

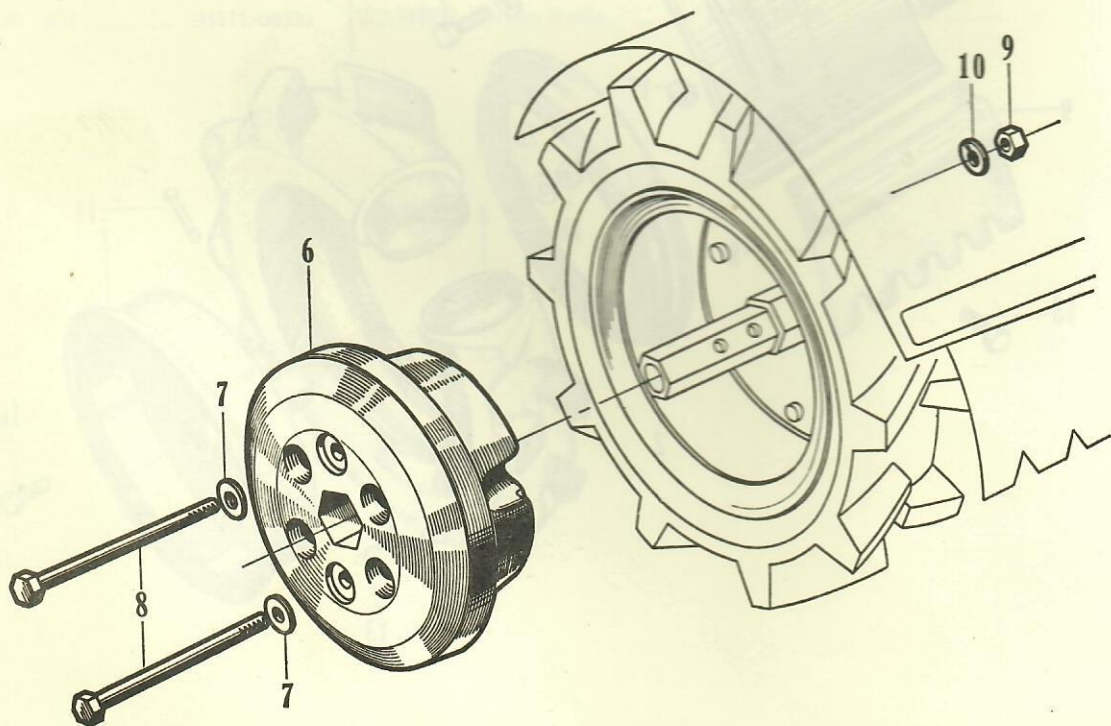
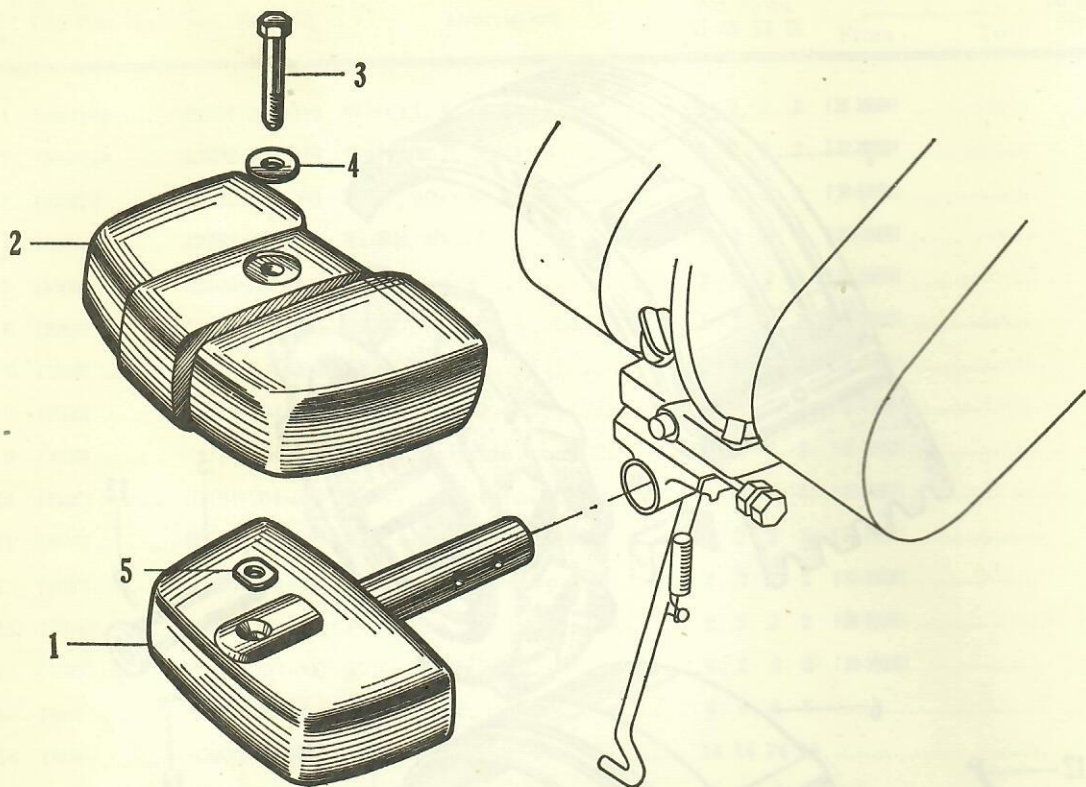
Part No.	Old Part No.	New Part No.	Description	No. Req'd.		No. Used on		News No.
				VII	IX	From	To	
1	F200102	23185-704-000	STOPPER, belt	1	1	F30-100001	
2	F200102	11800-704-600	STAY, engine.....	1	1	F30-100001	
3	F200102	54540-704-601	ARM, tension.....	1	1	F30-100001	
4	F200102	54555-704-601	PIN, tensioner	1	1	F30-100001	
5	F200102	54561-704-601	ROLLER, tension	1	1	F30-100001	
6	F200102	54565-704-600	COVER A, dust	1	1	F30-100001	
7	F200102	54566-704-600	COVER B, dust	1	1	F30-100001	
8	F200102	54567-704-601	COLLAR, tensioner	1	1	F30-100001	
9	F200102	54571-704-601	SPRING, tension	1	1	F30-100001	
10	F200102	54515-704-600	SPRING, tension arm return ...	1	1	F30-100001	
11	F200102	90585-704-810	WASHER, 9×20×27	1	1	F30-100001	
12	F200102	90551-704-600	WASHER, thrust, 14.3×20×1 ...	1	1	F30-100001	
13	84016	92000-08016	BOLT, hex., 8×16	2	2		
14	84020	96100-62020	BEARING, ball, 6202	1	1		
15	84020R	96140-62020	BEARING, ball, 6202R	1	1		
16	8412	94510-12000	CIR CLIP, 12 mm.....	1	1		
17	8415	94510-15000	CIR CLIP, 15 mm.....	1	1		
18	8415	94520-35000	CIR CLIP, internal 35 mm.....	1	1		

HONDA

Ref. No.	Old Part No.	New Part No.	Description	No. Req'd.				No. Used on		News No.
				VI	VII	VIII	IX	From	To	
1	F604501-1A	42701-703-010	WHEEL A, 300D×8	2	2	2	2	F30-100001		
2	F604501-2A	42702-703-010	WHEEL B, 300D×8	2	2	2	2	F30-100001		
3	F604502-1	42751-703-000	TIRE, 400×8	2	2	2	2	F30-100001		
4	F604502-2	42752-703-000	TUBE, 400×8	2	2	2	2	F30-100001		
5	F604504	42400-703-000	SHAFT, pipe	2	2	2	2	F30-100001		
6	F304601	61110-704-000	FENDER, right	1	1	1	1	F30-100001		
7	F304602	61210-704-000	FENDER, left	1	1	1	1	F30-100001		
8	F304603	61711-704-000	MUDGUARD	2	2	2	2	F30-100001		
9	F304604	61771-704-000	BAR, mudguard	2	2	2	2	F30-100001		
10	F304605	61151-704-000	STAY, fender.....	1	1	1	1	F30-100001		
11	F607803	90753-703-000	PIN, round head, 9φ×54	2	2	2	2	F30-100001		
12	F607811	90754-703-000	PIN, round head, 7φ×55	2	2	2	2	F30-100001		
13	F1507822	90652-700-000	PIN, snap, 9 φ	2	2	2	2	F30-100001		
14	F607825	90651-703-000	PIN, snap, 7 φ	2	2	2	2	F30-100001		
15	BH612.....	92000-06012	BOLT, hex., 6×12	6	6	6	6		
16	BH816.....	92000-08016	BOLT, hex., 8×16	14	14	14	14		
17	NH6	94001-06000	NUT, hex., 6 mm	6	6	6	6		
18	NH8	94001-08000	NUT, hex., 8 mm	10	10	10	10		
19	WP8	94101-08000	WASHER, flat, 8 mm	4	4	4	4		
20	WL7	94111-08000	WASHER, spring, 8mm.....	10	10	10	10		



HONDA



F-22 Weight

HONDA

Ref. No.	Old Part No.	New Part No.	Description	No. Req'd. VI	No. Used on		News No.
					From	To	
1	F305701	59301-704-000	WEIGHT main front	1	F30-100001		
2	F305702	59351-704-000	WEIGHT, sub front	1	F30-100001		
3	F305705	90134-704-000	BOLT, hex., 12×80	1	F30-100001		
4	F305706	90583-704-000	WASHER, 12 φ	1	F30-100001		
5	F305707	59492-704-000	STOPPER, 12 mm	1	F30-100001		
6	F305710	59101-704-000	WEIGHT, wheel	2	F30-100001		
7	F607726	90531-703-000	WASHER, special, 10 mm	4	F30-100001		
8	BH10125 (35)	92035-10125	BOLT, hex., 10×125	4			
9	NH10	94001-10000	NUT, hex., 10 mm	4			
10	WL10	94111-10000	WASHER, flat, 10 mm	4			

HONDA

Ref. No.	Old Part No.	New Part No.	Description	No. Reqd.				No. Used on		News No.
				VI	VII	VIII	IX	From	To	
FY304661.....	61772-704-810		COVER, starter pulley	1	1	1	1	F30-10000		8.00
FY304662.....	61773-704-810		PIN SET, starter cover	1	1	1	1	F30-10000		8.00
FY304663.....	61774-704-810		STOPPER, 8.5 mm	1	1	1	1	F30-10000		8.00
FY307752.....	90171-704-810		NUT, wing, 6 mm.....	1	1	1	1	F30-10000		8.00
BH610.....	92000-06010		BOLT, hex., 6×10	2	2	2	2	F30-10000		8.00

PART NO. INDEX

Old Part No.	New Part No.	Page	Old Part No.	New Part No.	Page
1100 Parts			G301302B.....	13311-805-020.....	4
G301101B.....	11200-805-020.....	7	G301303B.....	13321-805-020.....	4
G301101D.....	11200-805-040.....	7	G301316	13201-805-000.....	4
G301103A.....	15611-805-010.....	7	G301361	13101-805-000.....	4
G301110	19600-805-000.....	11	G301361S1	13102-805-000.....	4
G301111	28430-805-000.....	11	G301361S2	13103-805-000.....	4
G301115	28470-805-000.....	11	G301361S3	13104-805-000.....	4
G301120A.....	19611-805-010.....	11	G301362	13111-805-000.....	4
F301120	11901-704-000.....	3	G301363	13115-805-000.....	4
F301121B.....	90091-704-020.....	48	G301364	13010-805-000.....	4
FY301121.....	90091-704-600.....	47	G301364S1	13020-805-000.....	4
F301122	11801-704-000.....	31	G301364S2	13030-805-000.....	4
F2Y301122	23185-704-810.....	59	G301364S3	13040-805-000.....	4
G301123A.....	12361-805-010.....	3	1400 Parts		
G301123B.....	12361-805-020.....	3	G301401	14311-805-000.....	4
G301124	15710-805-000.....	3	G301401A.....	14311-805-010.....	4
FY301124.....	11800-704-600.....	59	C901409	90719-200-000.....	4
G301125	15719-805-000.....	3	G301416C.....	14101-805-030.....	7
G301127A.....	15761-805-010.....	3	G301417	14210-805-000.....	7
G301127B.....	15761-805-020.....	3	1500 Parts		
F301127	15761-704-000.....	15	G301516	14101-805-000.....	3
GY301130.....	87521-807-000.....	11	G301546	14711-805-000.....	3
G2Y301130	87521-807-820.....	11	G301547	14721-805-000.....	3
G301131	87101-805-000.....	11	G301548	14751-805-000.....	3
GY301131.....	87101-807-810.....	11	G301549	14771-805-000.....	3
C121169	90407-259-000.....	7	G301550A.....	14775-805-010.....	3
C901182	90701-200-000.....	7	1600 Parts		
F1901186	13491-701-000.....	4	F301601	15211-704-000.....	35
1200 Parts			F301602	25231-704-000.....	35
G301201C.....	12100-805-030.....	3	F301603	25275-704-000.....	35
G301201F.....	12100-805-050.....	3	F301604	25235-704-000.....	35
G301202	15751-805-000.....	3	F301612	25280-704-000.....	35
G301206	12201-805-000.....	3	F301613	15420-704-000.....	35
G301207	12251-805-000.....	3	1300 Parts		
1300 Parts			G301300B.....	13000-805-020.....	4
G301300B.....	13000-805-020.....	4	G301301A.....	13381-805-010.....	4
G301301A.....	13381-805-010.....	4	G301302A.....	13311-805-010.....	4
G301302A.....	13311-805-010.....	4			

PART NO. INDEX

Old Part No.	New Part No.	Page	Old Part No.	New Part No.	Page
1800 Parts			F302101.3A.....	21126-704-000.....	28
G301801	31121-805-000.....	8	F302102B.....	21210-704-000.....	31
G301801B.....	31121-805-020.....	8	F302102C.....	21210-704-000.....	31
G301801D.....	31121-805-040.....	8	F302102.3A.....	21225-704-000.....	31
G301802	30560-805-000.....	8	F302102.3B.....	21225-704-000.....	31
G301802A.....	30560-805-010.....	8	F302103	23902-704-000.....	36
G301805A.....	30280-805-010.....	8	F302104A.....	21801-704-000.....	51,52
G301805B.....	30280-805-020.....	8	F302105B.....	21811-704-000.....	48
G301806	30212-805-000.....	8	FY302105.....	21811-704-000.....	47
G301810A.....	32952-805-010.....	8	F302106	21821-704-000.....	48
GY301810.....	32952-808-610.....	8	FY302107.....	21971-704-000.....	52
G301818	30600-805-000.....	8	F302111A.....	21191-704-000.....	28
G301819	30611-805-000.....	8	2200 Parts		
GY301830.....	31501-805-810.....	8	F302201	22511-704-000.....	40
GY301830B	31501-805-812.....	8	F2Y302201	23121-704-000.....	43
G451831	36100-809-000.....	11	F302202	22515-704-000.....	40
GIII451831	35850-811-000.....	11	F302203	22100-704-000.....	40
G2Y301832	32300-805-820.....	11	F302204	22522-704-000.....	40
G2Y301832A	32300-805-821.....	11	F302205	22526-704-000.....	40
GY301840.....	31511-805-810.....	8	F302206	22527-704-000.....	40
GY301840B	31511-805-812.....	8	F302207	22521-704-000.....	40
1900 Parts			F302208A.....	22525-704-000.....	40
G301901	16511-805-000.....	7	F302209A.....	21021-704-000.....	40
G301902	16515-805-000.....	7	F302211	21030-704-000.....	40
G301903A.....	16521-805-010.....	7	F302212	22411-704-000.....	40
G301903D.....	16521-805-040.....	7	F302213	90741-704-000.....	40
G301904	16535-805-000.....	11	F302214	22130-704-000.....	40
G301905	16541-805-000.....	11	F302215	90430-704-000.....	40
G301906	16545-805-000.....	11	F302231A.....	22560-704-000.....	44
G301906A.....	16545-805-010.....	11	F302231B.....	22560-704-000.....	44
G301909	16551-805-000.....	11	F2Y302231	22141-704-000.....	47
	16523-805-000.....		F302232A.....	22570-704-000.....	44
2100 Parts			F302232B.....	22570-704-000.....	44
F302101A.....	21110-704-010.....	28	F302233B.....	90025-704-000.....	44,47
FY302101.2-10	21121-704-600.....	28	F302234A.....	22580-704-000.....	44
FY302101.2-11	21122-704-620.....	28	F302235B.....	22585-704-000.....	44
F2Y302101.2-10.....	21121-704-620.....	28	F302235.2	22587-704-000.....	44
F2Y302101.2-11.....	21122-704-620.....	28	F302237	22585-704-000.....	44
			F302239	22574-704-000.....	31
			FY302239.....	22574-704-000.....	47
			F302240	22575-704-000.....	31

PART NO. INDEX

Old Part No.	New Part No.	Page	Old Part No.	New Part No.	Page
F302932A.....	91202-704-003.....	44	G303702B.....	16211-805- 000	3
FY302932.....	91202-704-600.....	31	G303703	16229-805- 000	3
F302933	91203-704-000.....	31	3800 Parts		
G302934	91204-805-000.....	7	G303801A.....	17220-805- 010	15
F602934	91204-703-000.....	28	G303801B.....	17220-805- 020	15
G302951	91301-805-000.....	7,28	F303801C.....	17400-704- 000	15
F302951	91301-704-000.....	28,36	FY303801.....	17400-704- 610	15
F302953	91302-704-000.....	44	F2Y303801	17400-704- 620	15
F602954	91303-704-000.....	7,32	F303801•1	17401-704- 000	15
F302954	91303-704-000.....	40	FY303801•2A	17441-704- 611	15
F302955	91304-704-000.....	40	F303801•3	17442-704- 000	15
F302956	91305-704-000.....	44	G303802	17231-805- 000	15
3100 Parts			G303802A.....	17231-805- 010	15
F303121A.....	23685-704-010.....	39	G303803	17212-805- 000	15
F303131B.....	23370-704-020.....	39	G303804	17211-805- 000	15
3200 Parts			G303805	16269-805- 000	15
F303201C.....	40110-704-030.....	39	G303810	16235-805- 000	12
F303202C.....	40120-704-030.....	39	F303828A.....	17470-704- 010	15
F303204	40171-704-000.....	39	F303829	16267-704- 000	15
F303211A.....	40130-704-010.....	28,36	F303830A.....	16261-704- 010	15
F303213B.....	40140-704-020.....	28,36	F303833	16265-704- 000	15
F303215	40151-704-000.....	28,36	F303834A.....	16266-704- 010	15
F303216	40175-704-000.....	28,36	3900 Parts		
F303217	40152-704-000.....	28,36	G303901B.....	17500-805- 020	16
F303218	40153-704-000.....	28,36	G303906	17638-805- 000	16
F303220	90601-704-000.....	23,36	G303907	90503-805- 000	16
F303225A.....	40310-704-010.....	28,36	G303908	90504-805- 000	16
3700 Parts			F603910A.....	17673-703- 010	16
G303701A-K	16100-805-014.....	12	F602911	17672-703- 000	16
C923701•1-K	16271-202-004.....	12	G3Y303912	17650-806- 830	16
C1103701•11-K	16123-011-004.....	12	G303913B.....	16950-805- 020	16
C3103701•21-K	99126-04004.....	12	G303913•6	16961-805- 000	16
C1103701•23-K	99101-07504.....	12	G303913•7	16972-805- 000	16
G303701•27-K.....	16134 805-004.....	12	G303913•8	16975-805- 000	16
F1903701•28-K	16135 701-004.....	12	G303913•9	16974-805- 000	16
C2003701•52-K	16172-030-004.....	12	G303913•10	16981-805- 000	16
C763701•53-K.....	16173-260-004.....	12	G303913•11	16982-805- 000	16
			G303913•12	16975-805- 000	16
			G303914B.....	16851-805- 020	16

PART NO. INDEX

Old Part No.	New Part No.	Page	Old Part No.	New Part No.	Page
G3Y303951	18300-805-830.....	15	FY304181.....	90585-704-810.....	59
G303952	18351-805-000.....	15	FY304182.....	90551-704-600.....	59
G3Y303953	18361-805-830.....	15			
G2Y303955	16591-805-820.....	3			
4100 Parts			4500 Parts		
F304101	51110-704-000.....	51	F604501-1A.....	42701-703-010.....	60
F304101A.....	51110-704-010.....	51	F604501-2A.....	42702-703-010.....	60
FY304101.....	51110-704-600.....	52	F604502-1	42751-703-000.....	60
F304102	51510-704-000.....	51	F604502-2	42752-703-000.....	60
F304102A.....	51510-704-010.....	51	F604504	42400-703-000.....	60
FY304102.....	51510-704-600.....	52			
F304103	51521-704-000.....	51	4600 Parts		
FY304103.....	51521-704-600.....	52	F304601	61110-704-000.....	60
F304104	50610-704-000.....	56	F304602	61210-704-000.....	60
F304105	83111-704-000.....	56	F304603	61711-704-000.....	60
FY304105.....	50671-703-810.....	56	F304604	61771-704-000.....	60
FY604105.....	50671-703-810.....	52	F304605	61151-704-000.....	60
F304106	83131-704-000.....	56	F304651B.....	63610-704-020.....	48
F304108A.....	90133-704-010.....	51	FY304651.....	63610-704-600.....	48
FY304110.....	50310-704-600.....	52	F304653B.....	63692-704-020.....	48
FY304112.....	51510-704-600.....	52	F304654A.....	90581-704-010.....	48
FY304115.....	51581-704-600.....	52	F304655B.....	63681-704-020.....	48
F304151A.....	50110-704-010.....	27	F304656	63687-704-000.....	48
FY304151.....	50110-704-810.....	27	F304657	63693-704-000.....	48
F304152B.....	53571-704-020.....	27	FY304661.....	61772-704-810.....	64
F304155	50211-704-000.....	27	FY304662.....	61773-704-810.....	64
F304156	50221-704-000.....	27	FY304663.....	61774-704-810.....	64
FY304156.....	50221-704-600.....	27			
F304157A.....	66111-704-010.....	27	4700 Parts		
FY304157.....	66191-704-600.....	27	F304701C.....	53110-704-030.....	20
F304160A.....	54471-704-010.....	27	F2Y304701	53110-704-820.....	23
F304161	54472-704-000.....	27	F2Y304701B	53110-704-822.....	23
FY304161.....	54472-704-600.....	27	F304702C.....	53150-704-030.....	20
FY304171A	54540-704-601.....	59	F2Y304702	53150-704-600.....	23
FY304172A	54555-704-601.....	59	F2Y304702B	53150-704-620.....	23
FY304173A	54561-704-601.....	59	F304703	53321-704-000.....	20
FY304174.....	54565-704-600.....	59	F304704B.....	53211-704-020.....	20
FY304175.....	54566-704-600.....	59	FY304704A	53211-704-601.....	20
FY304176A	54567-704-601.....	59	F304731A.....	54611-704-010.....	20
FY304178A	54571-704-601.....	59	F304732A.....	54621-704-010.....	20
F2Y304179	54575-704-600.....	59	F304733C.....	54710-704-030.....	20



HONDA
HONDA MOTOR CO., LTD. TOKYO, JAPAN

147042

PRINTED IN JAPAN

Ⓜ C200907