

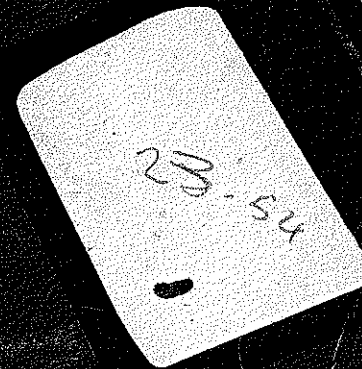


# HONDA



## HONDA

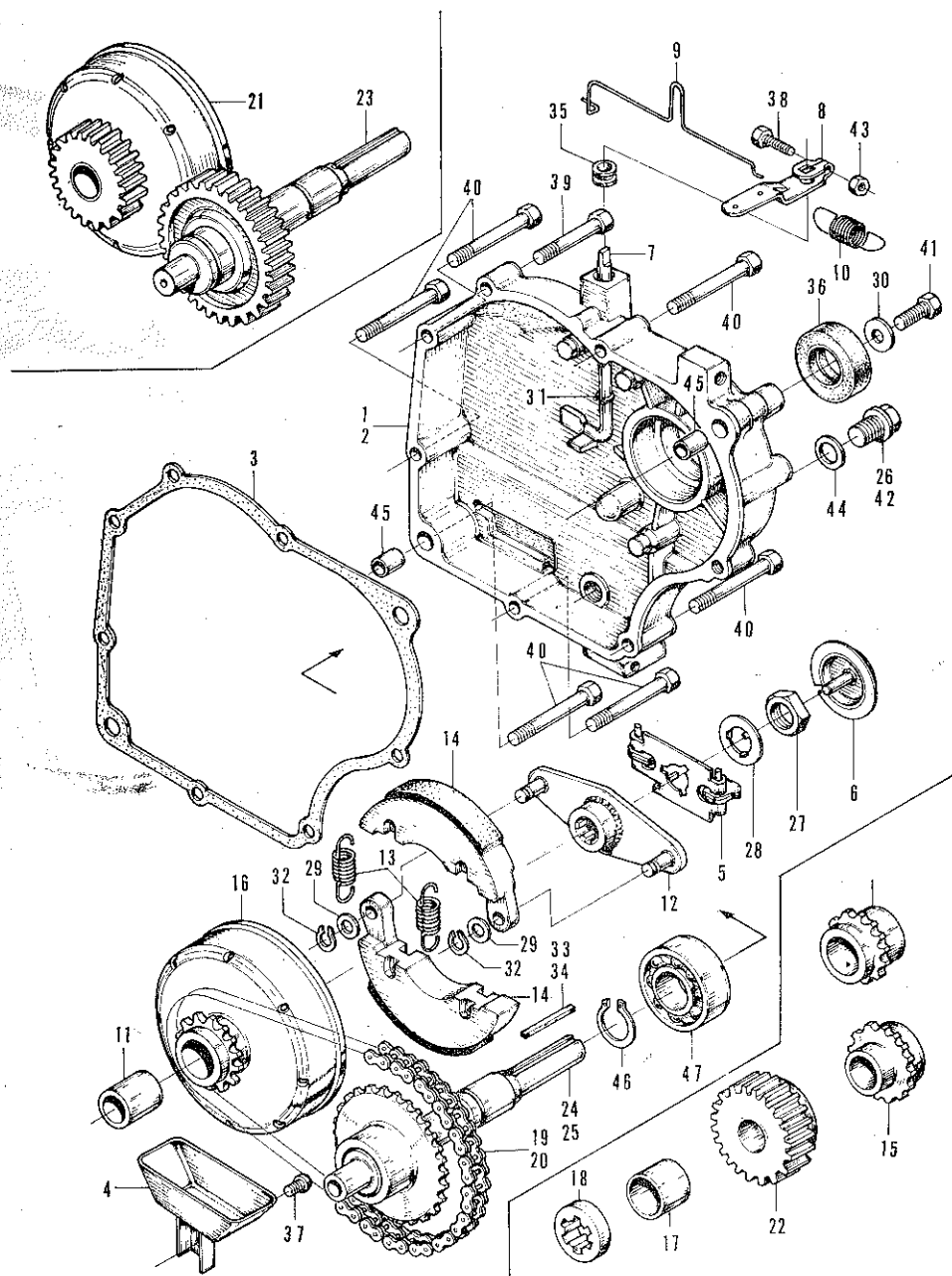
HONDA MOTOR CO., LTD. TOKYO, JAPAN



# PARTS LIST

HONDA GENUINE PARTS

**G-7 CLUTCH-R. CRANK CASE COVER**



**GENERAL INFORMATION**

This Parts List contains the spare parts of HONDA Tiller FS28 available for purchase. This handy pocket book edition is compiled for convenience of anyone to provide him readily with parts information. For latest revision if any reference should be made to the basic looseleaf Parts List exclusively distributed to the authorized HONDA distributors which is kept up-to-date with the revision sheet.

When ordering spare parts for a particular product, make sure that the appropriate product serial number is also mentioned, otherwise the part number might have been changed accidentally.

**\*Grouping of Parts List**

The parts list is divided into the "ENGINE BLOCK" and "FRAME BLOCK". These groups are further broken down into functional groups as indicated in the "CONTENTS" of this list. The indexes arranged by part number and part description are listed on the back of each block for the convenience.

**\*Abbreviations**

Abbreviations used in part "Description" are as follows:

- Assy. .... Assembly
- Comp. .... Complete
- hex. .... hexagonal
- 22 T. .... 22 teeth

**\*Dimensions**

Dimensions used in part "Description" are interpreted as the following example.

Parts	Example	Interpretation
Bolt(Screw)	6 × 12	6 mm diameter, 12 mm length
Pin	8 × 14	8 mm diameter, 14 mm length
O-ring	9.5 × 1.6	9.5 mm diameter, 1.6 mm thickness
Oil seal	14 × 24 × 5	14 mm inner diameter, 24 mm outer diameter 5 mm thickness
Tube	5 × 130	5 mm diameter, 130 mm length

# CONTENTS

ENGINE BLOCK

**\*Number of parts required for each unit**

The quantity of parts used in each product is shown in the column "Q'ty used"

The part having ( ) on the number listed in this column indicates an optional part for purchase.

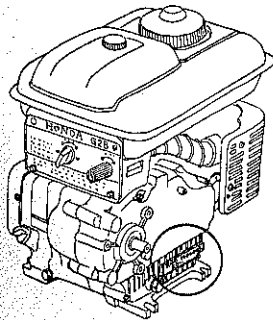
**\*Serial No. of Products**

Location and initial serial numbers are shown in the following illustrations.

If any part is changed by the time of edition the serial number applicable to the production is indicated in the column "No. Used on".

Engine initial serial number

844-1037838

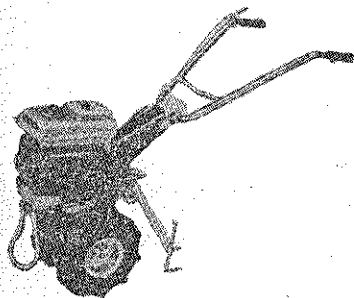


**\* Model identification**

(FS28-D)

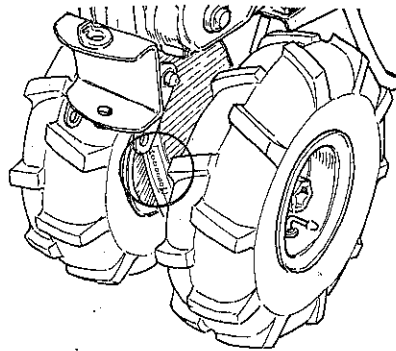
FS28-D: Forward single speed

FS28-F: Forward single speed; French type

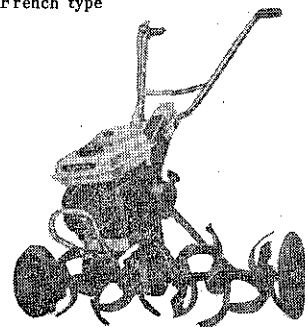


Frame initial serial number

717-1000001



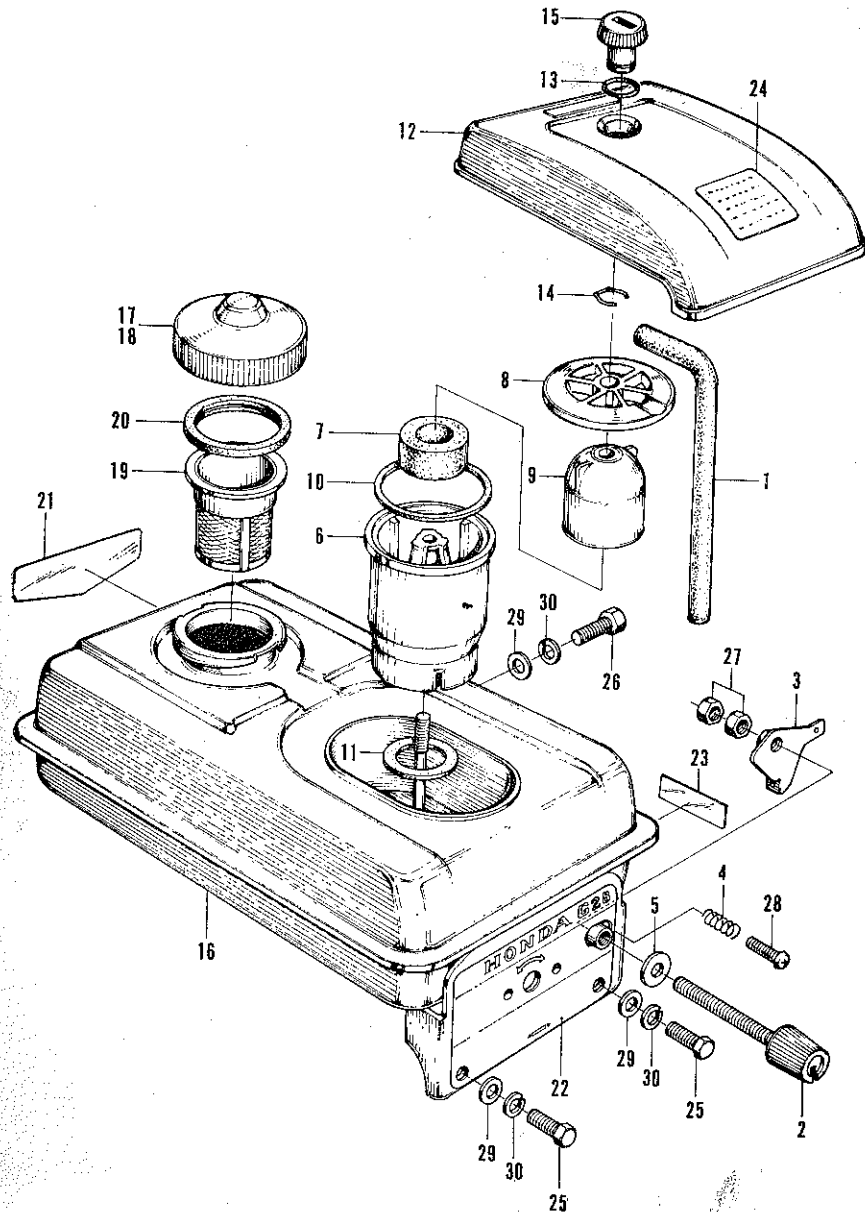
(FS28-F)



*Painted Blue.  
Handle bar does not Swivel*

Block No.	Description	Page
<b>ENGINE BLOCK</b>		
G-1	FUEL TANK.....	G-2
G-2	FUEL TANK (G28FS).....	G-4
G-3	FUEL COCK.....	G-6
G-4	FAN COVER · RECOIL STARTER.....	G-8
G-5	MUFFLER · TOOL.....	G-10
G-6	MUFFLER · TOOL (G28FS).....	G-12
G-7	CLUTCH · R.CRANK CASE COVER.....	G-14
G-8	CLUTCH · R.CRANK CASE COVER (G28FS).....	G-18
G-9	CYLINDER HEAD · CYLINDER · CAMSHAFT.....	G-22
G-10	FLY WHEEL · CRANK CASE.....	G-26
G-11	FLY WHEEL · CRANK CASE (G28FS).....	G-30
G-12	CRANKSHAFT · PISTON.....	G-32
G-13	CARBURETOR.....	G-34
<b>OPTIONAL PARTS</b>		
GY-1	PULLEY.....	G-36
<b>INDEX</b>		
PART NO. INDEX.....		G-39
ALPHABETICAL INDEX.....		G-43

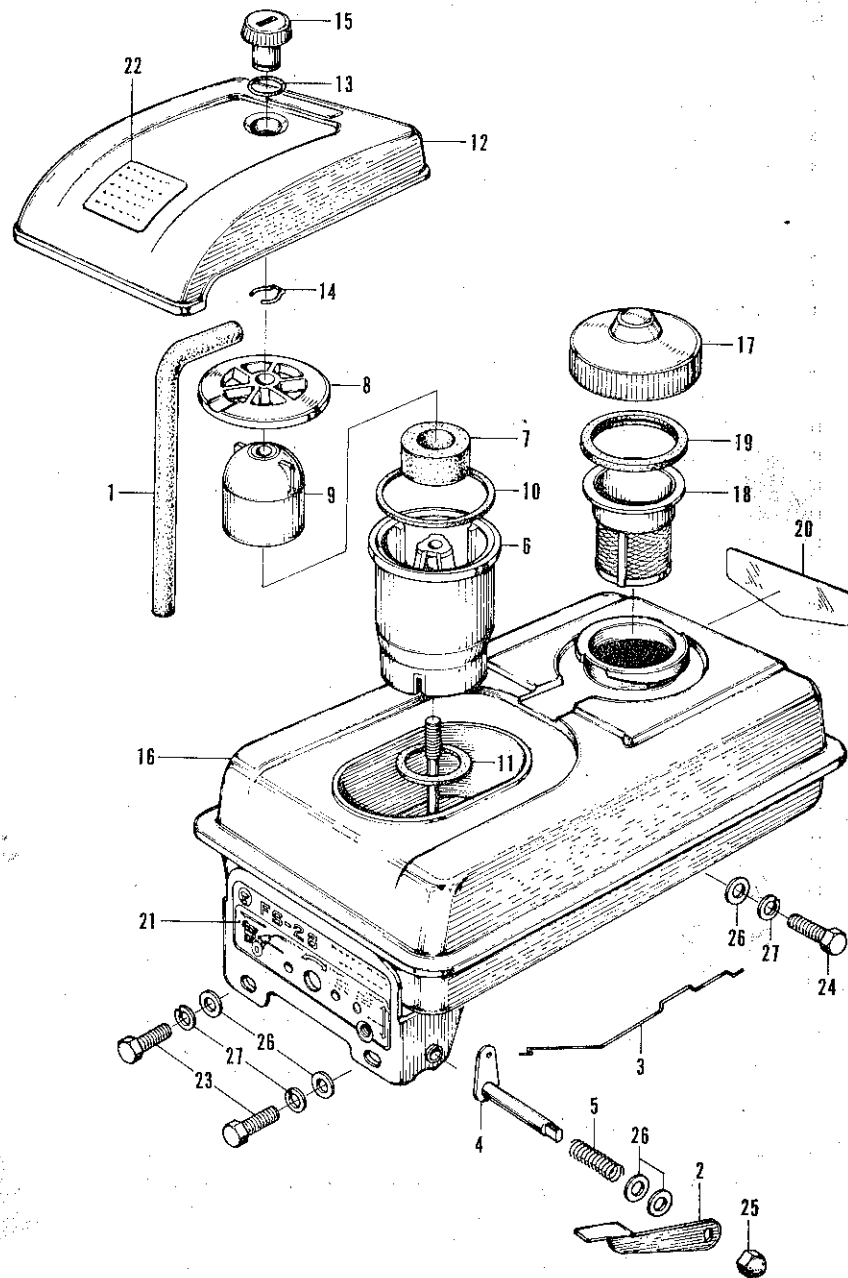
G-1 FUEL TANK



G-1 FUEL TANK

Ref. No.	Part No.	Description	Q'ty used						No. Used on		Remarks
			D	CD	ED	FD	FG	WD	From	To	
1	11205-844-000	PIPE, breather	1	1	1	1	1	1			
2	16570-844-000	SHAFT, control	1	1	1	1	1	1			
3	16572-844-300	GUIDE, control	1	1	1	1	1	1			
4	16575-844-000	SPRING, stopper	1	1	1	1	1	1			
5	16576-844-000	RUBBER, friction	1	1	1	-	-	1			
6	17210-844-000	PAN, cleaner, oil	1	1	1	1	1	1			
7	17211-844-000	ELEMENT, air cleaner	1	1	1	1	1	1			
8	17212-844-000	SEPARATOR A, air cleaner	1	1	1	1	1	1			
9	17213-844-000	SEPARATOR B, air cleaner	1	1	1	1	1	1			
10	17215-844-000	PACKING A, air cleaner	1	1	1	1	1	1			
11	17216-844-000	PACKING B, air cleaner	1	1	1	1	1	1			
12	17230-844-000	COVER, air cleaner	1	1	1	1	1	1			
13	17231-844-303	WASHER, cleaner cover	1	1	1	1	1	1			
14	17248-844-000	CLIP, air cleaner	1	1	1	1	1	1			
15	17235-844-000	NUT, air cleaner clamp	1	1	1	1	1	1			
16	17500-844-000	TANK, fuel	1	1	1	1	1	1			
17	17650-805-000	CAP, fuel tank	1	1	1	-	-	1			
18	17650-808-000	CAP, fuel tank	-	-	-	1	1	-			
19	17672-703-010	FILTER, fuel	1	1	1	1	1	1			
20	17673-703-030	PACKING, fuel filter	1	1	1	1	1	1			
21	87101-805-000	MARK, top	1	1	1	1	1	1			
22	87111-844-670	PLATE, caution	1	1	1	1	-	1			
22-1	87111-844-680	PLATE, caution	-	-	-	-	1	-			
23	87529-816-000	MARK, throttle	1	1	1	1	-	1			
23-1	87529-816-730	MARK, throttle	-	-	-	-	1	-			
24	87535-844-660	PLATE, oil bath caution	1	1	1	1	-	1			
24-1	87535-816-730	PLATE, oil bath caution	-	-	-	-	1	-			
25	92000-06016	BOLT, hex., 6 x 16	2	2	2	2	2	2			
26	92000-06020	BOLT, hex., 6 x 20	1	1	1	1	1	1			
27	94002-06000-0S	NUT, hex., 6 mm	2	2	2	2	2	2			
28	93500-04012-0A	SCREW, pan, 4 x 12	1	1	1	1	1	1			
29	94101-06000	WASHER, plain, 6 mm	3	3	3	3	3	3			
30	94111-06000	WASHER, spring, 6 mm	3	3	3	3	3	3			

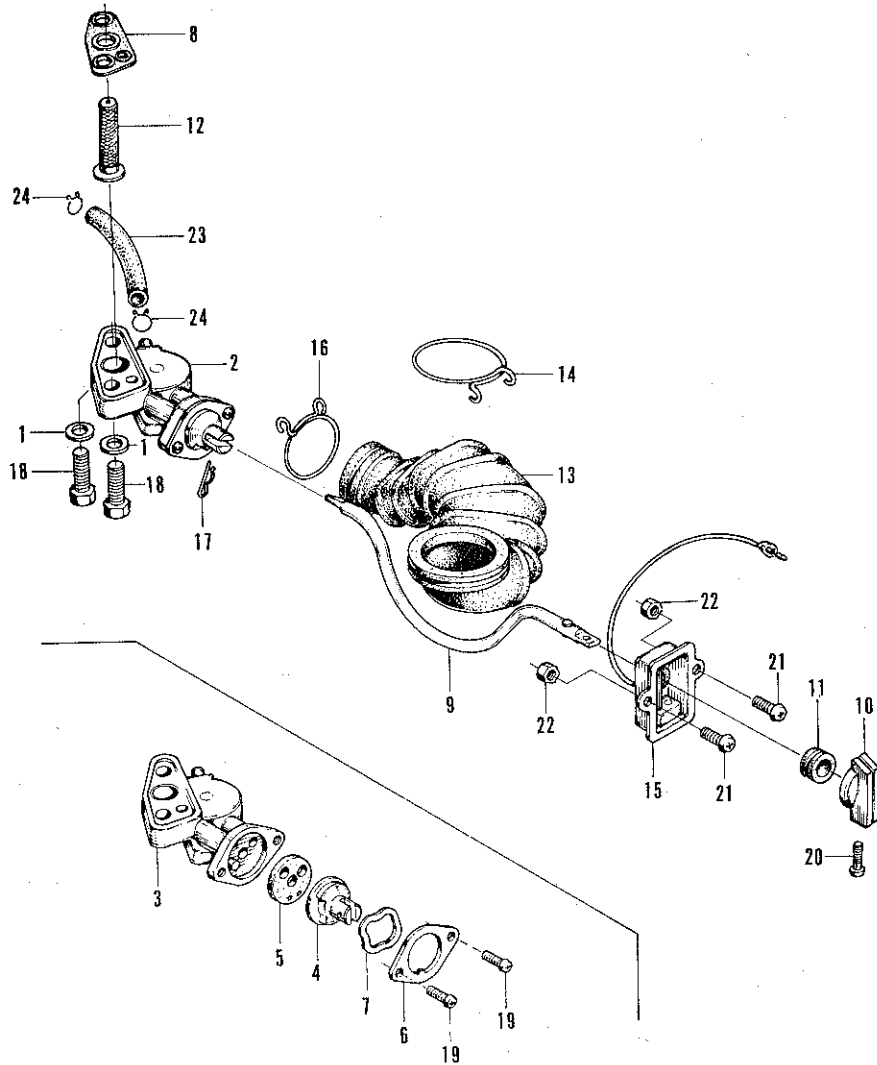
G-2 FUEL TANK (G28FS)



G-2 FUEL TANK (G28FS)

Ref. No.	Part No.	Description	Qty used		No. Used on		Remarks
			FS -D	FS -F	From	To	
1	11205-844-000	PIPE, breather .....	1	1			
2	16624-844-740	LEVER, choke .....	1	1			
3	16625-844-740	ROD, choke .....	1	1			
4	16625-844-740	SHAFT, choke .....	1	1			
5	16629-844-740	SPRING, choke lever .....	1	1			
6	17210-844-000	PAN, cleaner, oil .....	1	1			
7	17211-844-000	ELEMENT, air cleaner .....	1	1			
8	17212-844-000	SEPARATER A, air cleaner .....	1	1			
9	17213-844-000	SEPARATER B, air cleaner .....	1	1			
10	17215-844-000	PACKING A, air cleaner .....	1	1			
11	17216-844-000	PACKING B, air cleaner .....	1	1			
12	17230-844-000	COVER, air cleaner .....	1	1			
13	17231-844-303	WASHER, cleaner .....	1	1			
14	17248-844-000	CLIP, air cleaner .....	1	1			
15	17235-844-000	NUT, air cleaner clamp .....	1	1			
16	17500-844-740	TANK, fuel .....	1	1			
17	17650-805-000	CAP, fuel tank .....	1	1			
18	17672-703-010	FILTER, fuel .....	1	1			
19	17673-703-030	PACKING, fuel filter .....	1	1			
20	87101-805-000	MARK, top .....	1	1			
21	87111-844-750	PLATE, caution .....	1	1			
22	87535-844-660	PLATE, oil bath caution .....	1	1			
23	92000-06016	BOLT, hex., 6 x 16 .....	2	2			
24	92000-06020	BOLT, hex., 6 x 20 <i>712</i> .....	1	1			
25	94021-06000	NUT, blind, 6 mm .....	1	1			
26	94101-06000	WASHER, plain, 6 mm .....	5	5			
27	94111-06000	WASHER, spring, 6 mm <i>X90</i> .....	3	3			

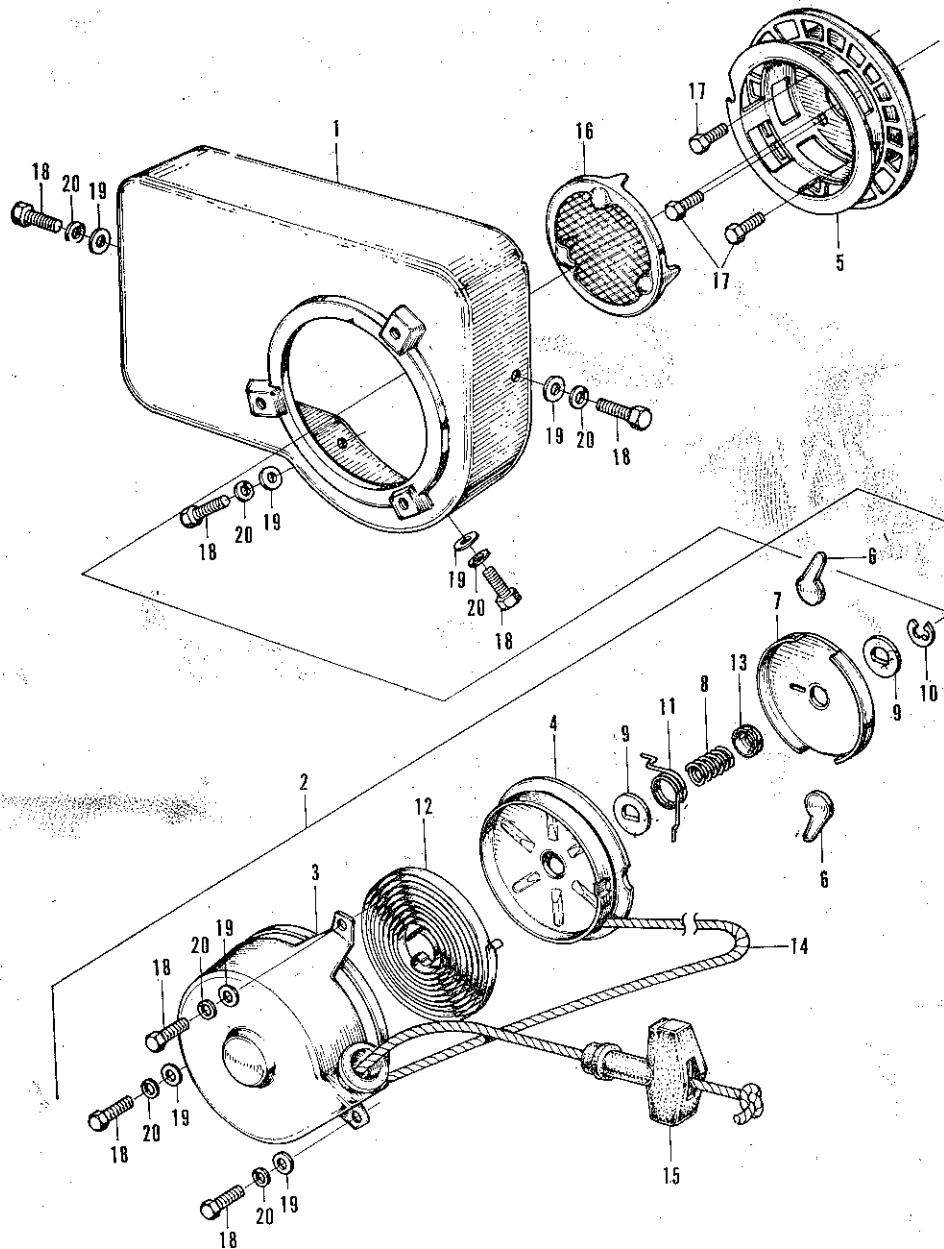
G-3 FUEL COCK



G-3 FUEL COCK

Ref. No.	Part No.	Description	Q'ty used							No. Used on		Remarks
			D	CD	ED	FD	FS	FG	WD	From	To	
1	16913-703-000	PACKING, strainer setting	2	2	2	2	2	2	2			
2	16950-844-004	COCK ASSY., fuel	1	1	1	1	1	1	1			
3	16951-816-004	BODY, COCK	1	1	1	1	1	1	1			
4	16952-844-004	LEVER, COCK	1	1	1	1	1	1	1			
5	16953-816-004	PACKING, COCK	1	1	1	1	1	1	1			
6	16954-816-004	HOLDER, lever	1	1	1	1	1	1	1			
7	16955-816-004	SPRING, cock lever	1	1	1	1	1	1	1			
8	16957-816-004	PACKING, flange	1	1	1	1	1	1	1			
9	16961-844-010	SHAFT, cock	1	1	1	1	1	1	1			
10	16962-816-020	KNOB, fuel cock	1	1	1	1	1	1	1			
11	16963-844-000	GROMMET, cock shaft	1	1	1	1	1	1	1			
12	16981-703-004	FILTER, check	1	1	1	1	1	1	1			
13	17240-844-000	TUBE, connecting	1	1	1	1	1	1	1			
14	17246-844-000	CIR-CLIP, 42mm	1	1	1	1	1	1	1			
15	36100-844-035	SWITCH ASSY, engine	1	1	1	1	1	1	1			
16	90653-700-000	CIR-CLIP, 34mm	1	1	1	1	1	1	1			
17	90731-816-650	PIN, LOCK, 10mm	1	1	1	1	1	1	1			
18	92000-06020	BOLT, hex., 6 x 20	2	2	2	2	2	2	2			
19	93500-03006-0A	SCREW, Pan., 3 x 6	2	2	2	2	2	2	2			
20	93500-03016-0A	SCREW, Pan., 3 x 16	1	1	1	1	1	1	1			
21	93500-04008-0A	SCREW, Pan., 4 x 8	2	2	2	2	2	2	2			
22	94001-04000-0S	NUT, hex., 4 mm	2	2	2	2	2	2	2			
23	95001-45060	TUBE, fuel, 4.5x60	1	1	1	1	1	1	1			
24	95002-45000	CLIP, fuel tube, 4.5	2	2	2	2	2	2	2			

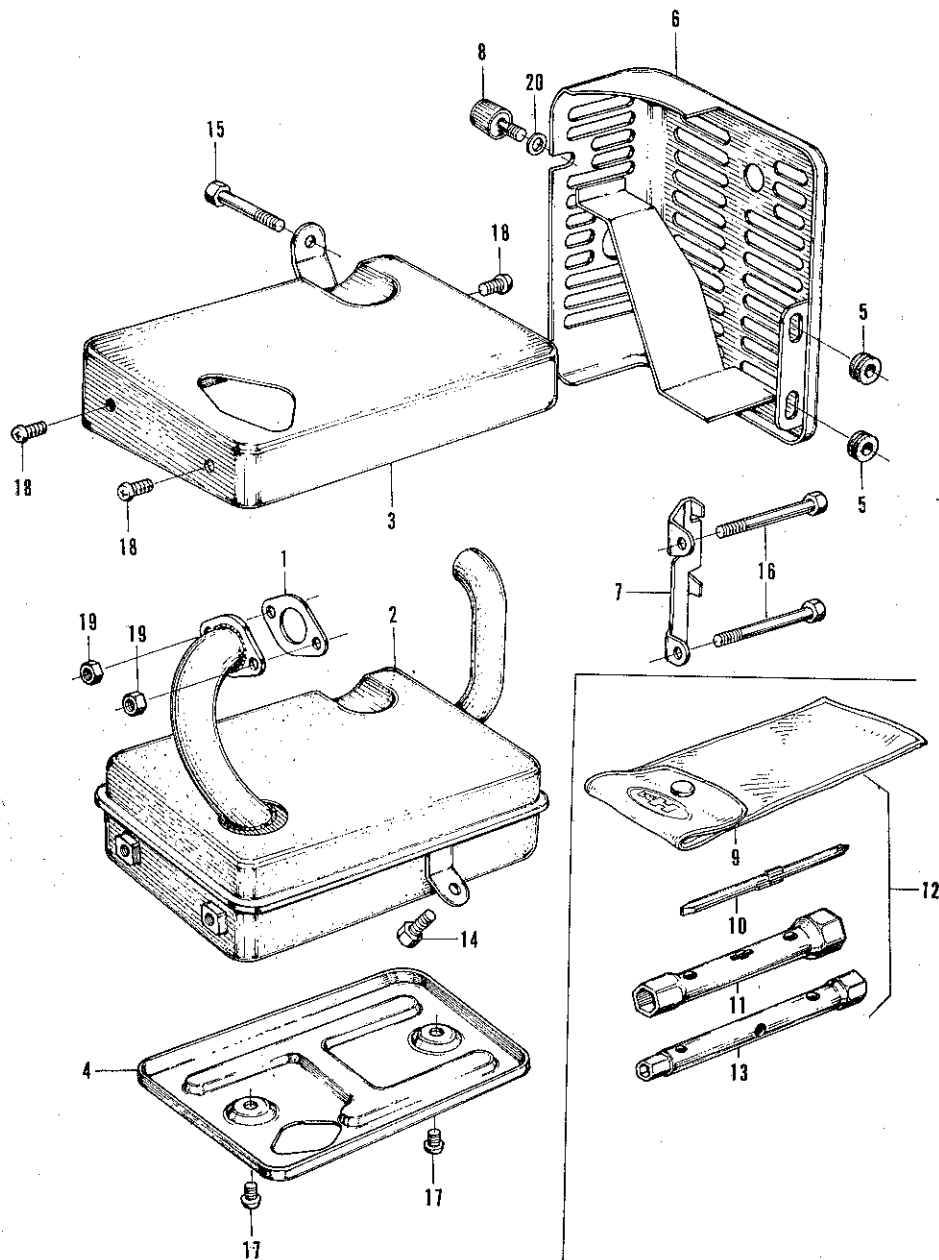
G-4 FAN COVER RECOIL STARTER



G-4 FAN COVER RECOIL STARTER

Ref. No.	Part No.	Description	Qty used							No. Used on		Remarks
			D	CD	ED	FD	FS	FG	WD	From	To	
1	19600-844-000C	COVER, fan	1	1	1	1	-	1	1			
	19600-844-000F	COVER, fan	-	-	-	-	1	-	-			
2	28400-816-040C	STARTER ASSY., recoil	1	1	1	1	-	1	1			
	28400-816-040F	STARTER ASSY., recoil	-	-	-	-	1	-	-			
3	28410-816-010C	CASE, recoil starter	1	1	1	1	-	1	1			
	28410-816-010F	CASE, recoil starter	-	-	-	-	-	-	-			
4	28420-816-000	PULLEY, recoil starter	1	1	1	1	1	1	1			
5	28430-844-000	PULLEY, starter ratchet	1	1	1	1	1	1	1			
6	28441-816-000	RATCHET, starter	2	2	2	2	2	2	2			452
7	28443-816-000	PLATE, friction	1	1	1	1	1	1	1			
8	28444-816-000	SPRING, friction	1	1	1	1	1	1	1			
9	28445-816-000	WASHER, starter	2	2	2	2	2	2	2			610 X119
10	28446-816-000	E-RING	1	1	1	1	1	1	1			
11	28447-816-003	SPRING, set	1	1	1	1	1	1	1			571
12	28451-816-003	SPRING, starter return	1	1	1	1	1	1	1			
13	28453-816-000	COVER, starter spring	1	1	1	1	1	1	1			
14	28471-816-000	ROPE, recoil starter	1	1	1	1	1	1	1			
15	28481-816-000	HANDLE, starter	1	1	1	1	1	1	1			
16	28490-816-000	SCREEN, center	1	1	1	1	1	1	1			
17	92000-05008-0A	BOLT, hex., 5 x 8	3	3	3	3	3	3	3			
18	92000-06012-0A	BOLT, hex., 6 x 12	7	7	7	7	7	7	7			
19	94101-06000	WASHER, plain, 6 mm	7	7	7	7	7	7	7			
20	94111-06000	WASHER, spring, 6 mm	7	7	7	7	7	7	7			

G-5 MUFFLER · TOOL

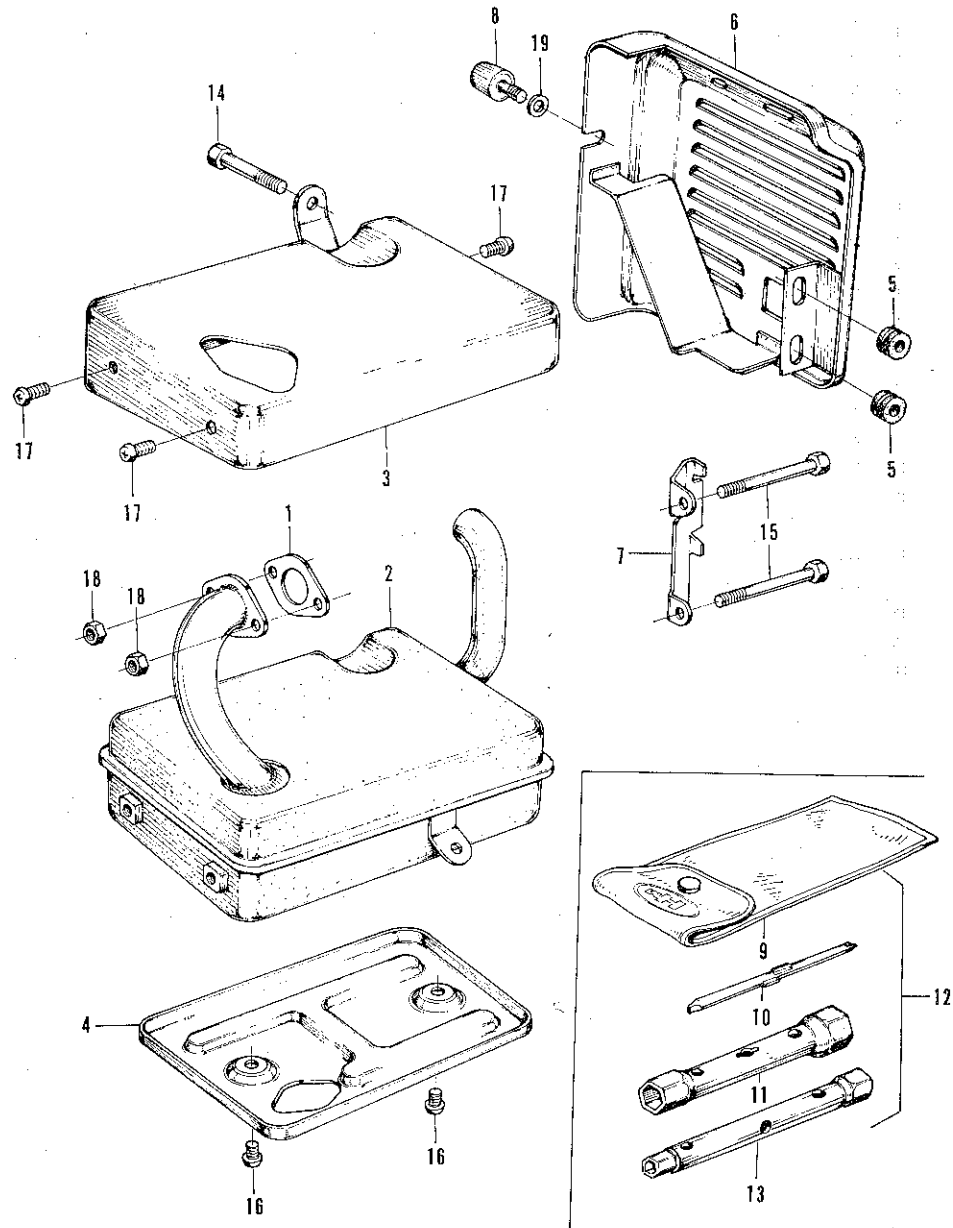


G-5 MUFFLER · TOOL

Ref. No.	Part. No.	Description	Q'ty used						No. Used on		Remarks
			D	CD	ED	FD	FG	WD	From	To	
1	18232-816-020	PACKING, exhaust pipe	1	1	1	1	1	1			
2	18300-844-000	MUFFLER	1	1	1	1	1	1			
3	18330-816-010	PROTECTOR A, muffler	1	1	1	1	1	1			
4	18340-816-010	PROTECTOR B, muffler	1	1	1	1	1	1			
5	36151-805-641	GROMMET A, cord	2	2	2	2	2	2			
6	63501-844-000	COVER, right side	1	1	1	1	1	1			
7	63502-844-000	STAY, side cover	1	1	1	1	1	1			
8	63505-844-000	LATCH, side cover	1	1	1	1	1	1			
9	83151-805-000	BAG, tool	1	-	-	-	-	-			
10	83513-044-000	DRIVER	1	-	-	-	-	-			
11	83517-044-000	WRENCH, spark plug	1	-	-	-	-	-			
12	89000-844-000	TOOL ASSY.	1	-	-	-	-	-			
13	89214-700-000	WRENCH, box, 10×14	1	-	-	-	-	-			
14	82000-06012	BOLT, hex., 6×12	1	1	1	1	1	1			
15	82000-06025	BOLT, hex., 6×25	1	1	1	1	1	1			
16	82000-06045	BOLT, hex., 6×45	2	2	2	2	2	2			
17	83500-05006-0A	SCREW, pan, 5×6	2	2	2	2	2	2			
18	83500-05006-0B	SCREW, pan, 5×6 (cr)	3	3	3	3	3	3			
19	84001-06000-0S	NUT, hex., 6 mm	2	2	2	2	2	2			
20	84101-06000	WASHER, plain, 6 mm	1	1	1	1	1	1			



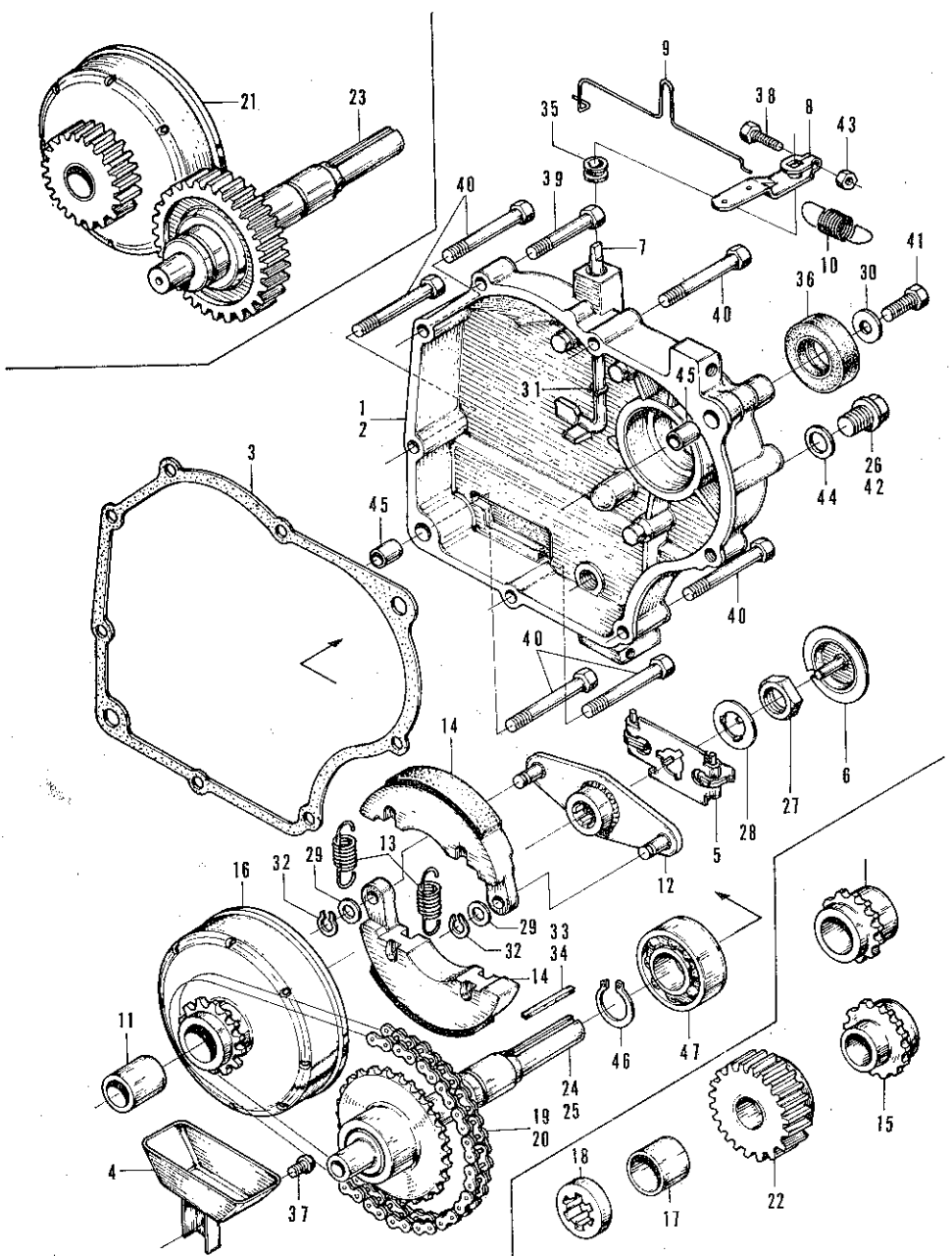
G-6 MUFFLER TOOL (G28FS)



G-6 MUFFLER TOOL (G28FS)

Ref. No.	Part No.	Description	Q'ty used		No. Used on		Remarks
			FS-D	FS-F	From	To	
1	18232-816-020	PACKING, exhaust pipe	1	1			
2	18300-844-000	MUFFLER	1	1			
3	18330-816-010	PROTECTOR A, muffler	1	1			
4	18340-816-010	PROTECTOR B, muffler	1	1			
5	36151-805-641	GROMMET A, cord	2	2			
6	63501-844-000F	COVER, right side	1	1			
7	63502-844-000	STAY, side cover	1	1			
8	63505-844-000	LATCH, side cover	1	1			
9	83151-805-000	BAG, tool	1	1			
10	83513-044-000	DRIVER	1	1			
11	83517-044-000	WRENCH, spark plug	1	1			
12	89000-844-000	TOOL ASSY	1	1			
13	89214-700-000	WRENCH, box, 10×14	1	1			
14	92000-06025	BOLT, hex., 6×25	1	1			
15	92000-06045	BOLT, hex., 6×45	2	2			
16	93500-05006-0A	SCREW, pan, 5×6	2	2			
17	93500-05006-0B	SCREW, pan, 5×6 (cr)	3	3			
18	94001-06000-0S	NUT, hex., 6mm	2	2			
19	94101-06000	WASHER, plain, 6mm	1	1			

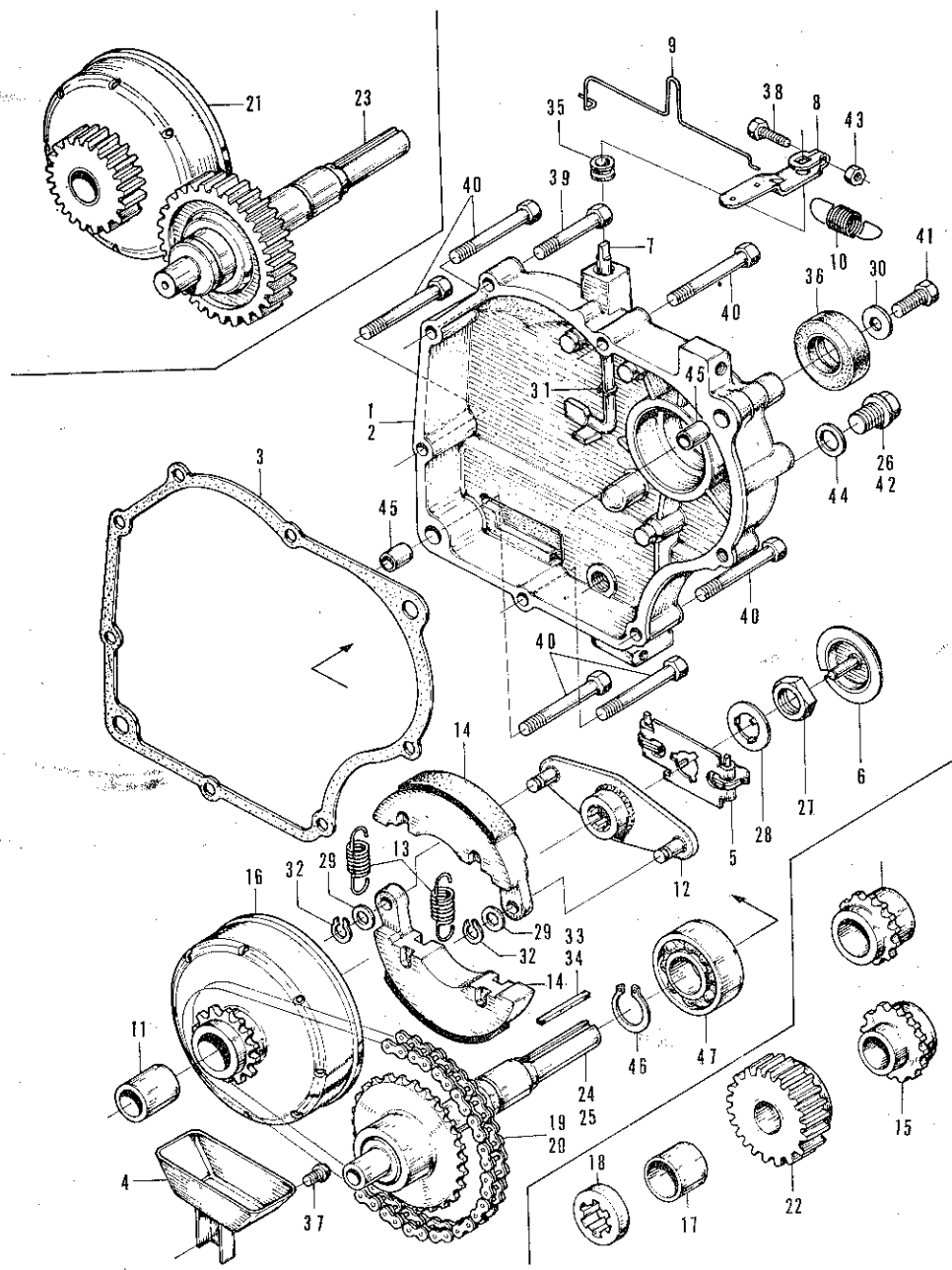
G-7 CLUTCH R. CRANK CASE COVER



G-7 CLUTCH-R, CRANK CASE COVER

Ref. No.	Part No.	Description	Q'ty used					No. Used on		Remarks
			D	CD	ED	FD	FG	WD	From	
1	11301-844-000	COVER, right crank case	-	-	1	1	1	1		
2	11301-844-660	COVER, right crank case	1	1	-	-	-	-		
3	11391-844-000	PACKING, right crank case cover	1	1	1	1	1	1		
4	15430-844-630	SEPARATOR, clutch	-	1	1	1	1	-		
5	16516-816-020	HOLDER, governor weight	1	1	1	1	1	1		
6	16520-816-020	SLIDE, governor	1	1	1	1	1	1		
7	16530-844-000	SHAFT, arm	1	1	1	1	1	1		
8	16540-844-000	ARM, governor	1	1	1	1	1	1		
9	16545-844-000	ROD, governor	1	1	1	1	1	1		
10	16551-844-000	SPRING, govonor	1	1	1	1	1	1		
11	22131-044-020	GUIDE, clutch center	-	1	1	1	1	-		
12	22350-844-630	PLATE, drive	-	1	1	1	1	-		
13	22401-844-630	SPRING, clutch	-	2	2	2	2	-		
14	22530-844-631	WEIGHT, clutch	-	2	2	2	2	-		
15	23012-844-730	SPROCKET B, drive	-	-	-	-	-	1		
16	23100-844-690	SPROCKET, drive	-	-	1	1	1	-		
17	23105-844-000	COLLAR, drive sprocket	-	-	-	-	-	1		
18	23106-844-000	PIECE, drive sprocket distance	-	-	-	-	-	1		
19	23151-844-690	CHAINA, drive	-	-	1	1	1	-		
20	23151-844-730	CHAIN B, drive	-	-	-	-	-	1		
21	23200-844-630	GEAR, drive	-	1	-	-	-	-		
22	23202-844-000	GEAR B, drive	1	-	-	-	-	-		
23	23710-844-660	SHAFT B, P, T, O	1	1	-	-	-	-		
24	23710-844-690	SHAFT D, P, T, O	-	-	1	1	1	-		
25	23710-844-730	SHAFT C, P, T, O	-	-	-	-	-	1		
26	90021-816-000	BOLT, drain plug	-	-	1	-	-	-		
27	90231-816-000	NUT, lock, 14mm	1	1	1	1	1	1		
28	90443-816-000	WASHER, lock, 14mm	1	1	1	1	1	1		
29	90443-844-000	WASHER, thrust, 8mm	-	2	2	2	2	-		
30	90471-704-010	WASHER, 8mm	-	-	1	1	1	-		

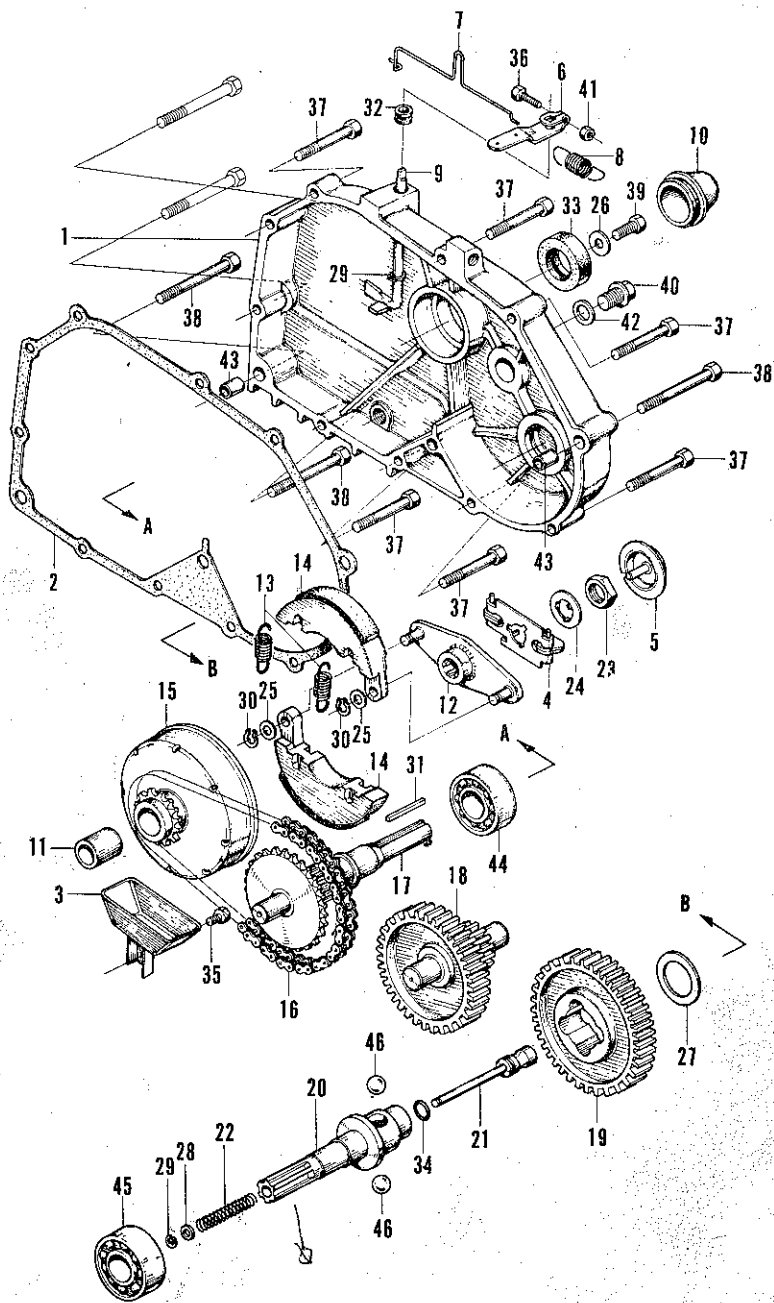
G-7 CLUTCH-R, CRANK CASE COVER



G-7 CLUTCH-R, CRANK CASE COVER

Ref. No.	Part No.	Description	Q'ty used						No. Used on		Remark
			D	CD	ED	FD	FG	WD	From	To	
31	90601-816-000	CIR-CLIP, 5 mm	1	1	1	1	1	1			
32	90604-844-000	CIR-CLIP, 8 mm	-	2	2	2	2	-			
33	90746-835-000	KEY, 5 mm	-	-	1	1	1	-			
34	90747-844-660	STOCK KEY, gidhand taper, 3/16x3/16	1	1	-	-	-	-			
35	91231-816-000	OIL-SEAL, 5104	1	1	1	1	1	1			
36	91261-835-000	OIL-SEAL, 25, 40, 7	1	1	1	1	1	1			
37	92000-05008-0A	BOLT, hex., 5x8	-	1	1	1	1	-			
38	92000-05014-0A	BOLT, hex., 5x14	1	1	1	1	1	1			
39	92000-06032	BOLT, hex., 6x32	1	1	1	1	1	1			
40	92000-06045	BOLT, hex., 6x45	6	6	6	6	6	6			
41	92000-08020-0A	BOLT, hex., 8x20	-	-	1	1	1	-			
42	92800-12000	BOLT, drain plug, 12mm	1	1	-	1	1	1			
43	94002-05000-0S	NUT, hex., 5 mm	1	1	1	1	1	1			
44	94109-12000	WASHER, drain plug, 12mm	1	1	1	1	1	1			
45	94301-10160	PIN, knock, 10x16A	2	2	2	2	2	2			
46	94510-25000	CIR CLIP, 25mm	1	1	1	1	1	1			
47	96100-60040	BEARING, ball, 6004	1	1	1	1	1	1			

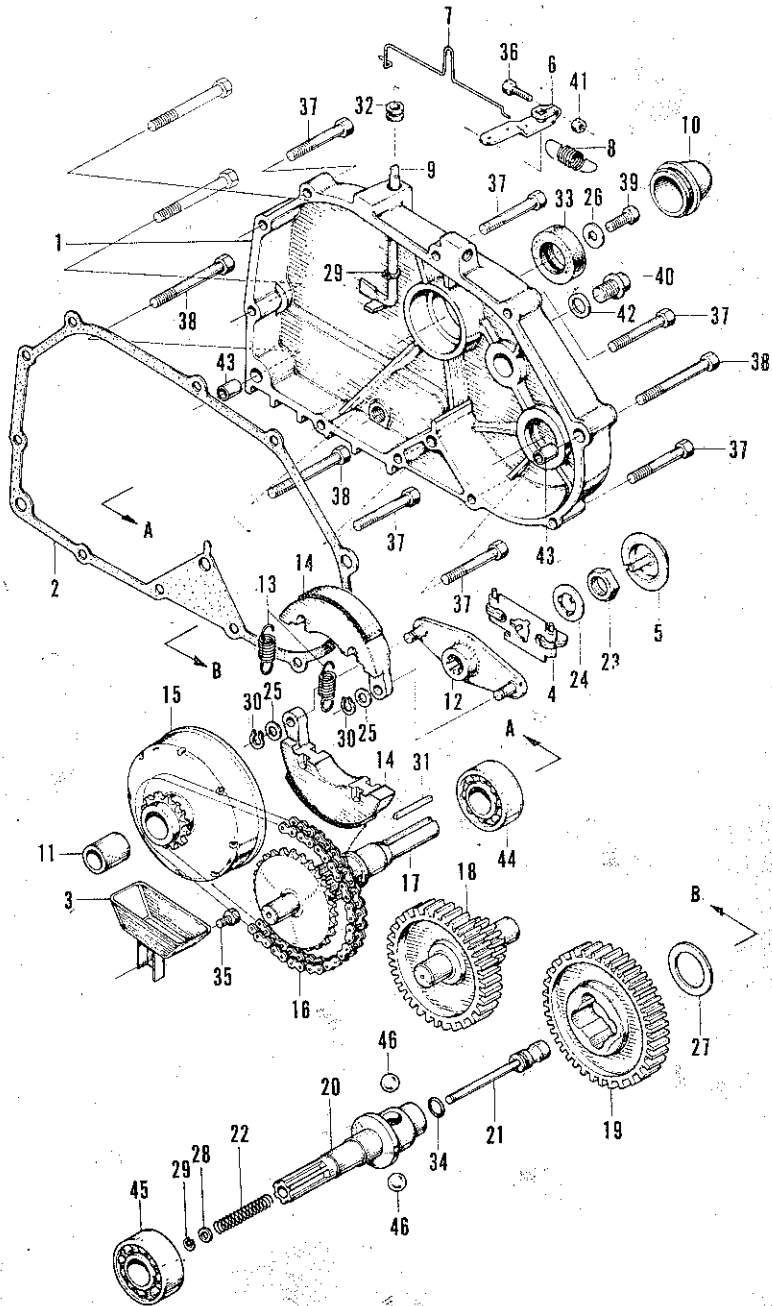
G-8 CLUTCH-R. CRANK CASE COVER (G28FS)



G-8 CLUTCH-R, CRANK CASE COVER (G28FS)

Ref. No.	Part No.	Description	Q'ty used		No. Used on		Remarks
			FS D	FS F	From	To	
1	11300-844-740	COVER, right crank case	1	1			
2	11391-844-740	PACKING, right cover	1	1			
3	15430-844-630	SEPARATOR, clutch	1	1			
4	16516-816-020	HOLDER, governor weight	1	1			
5	16520-816-020	SLIDER, governor	1	1			
6	16540-844-000	ARM, governor	1	1			
7	16545-844-000	LOD, governor	1	1			
8	16551-844-740	SPRING, governor	1	1			
9	16570-844-000	SHAFT, arm	1	1			
10	21371-717-000	COVER, P.T.O. shaft	1	1			
11	22131-044-020	GUIDE, clutch center	1	1			
12	22350-844-630	PLATE, drive	1	1			
13	22401-844-630	SPRING, clutch	2	2			
14	22530-844-631	WEIGHT, clutch	2	2			
15	23100-844-690	SPROCKET, drive	1	1			
16	23151-844-690	CHAIN A, drive	1	1			161
17	23740-844-740	SHAFT, sub P.T.O.	1	1			
18	23820-844-740	GEAR, secondary	1	1			
19	23825-844-740	GEAR, final driven	1	1			
20	23831-844-740	SHAFT, P.T.O.	1	1			
21	23835-844-740	PIN, cam	1	1			
22	23836-844-740	SPRING, neutral	1	1			
23	90231-816-000	NUT, lock, 14mm	1	1			
24	90443-816-000	WASHER, lock, 14mm	1	1			
25	90443-844-000	WASHER, thrust, 8 mm	2	2			
26	90471-704-010	WASHER, 8 mm (Optional Part)	(1)	(1)			
27	90554-706-000	WASHER B, thrust, 25mm	1	1			
28	90556-844-000	WASHER, special, 6 mm	1	1			
29	90601-816-000	CIR CLIP, 5 mm	2	2			
30	90604-844-000	CIR CLIP, 8 mm	2	2			

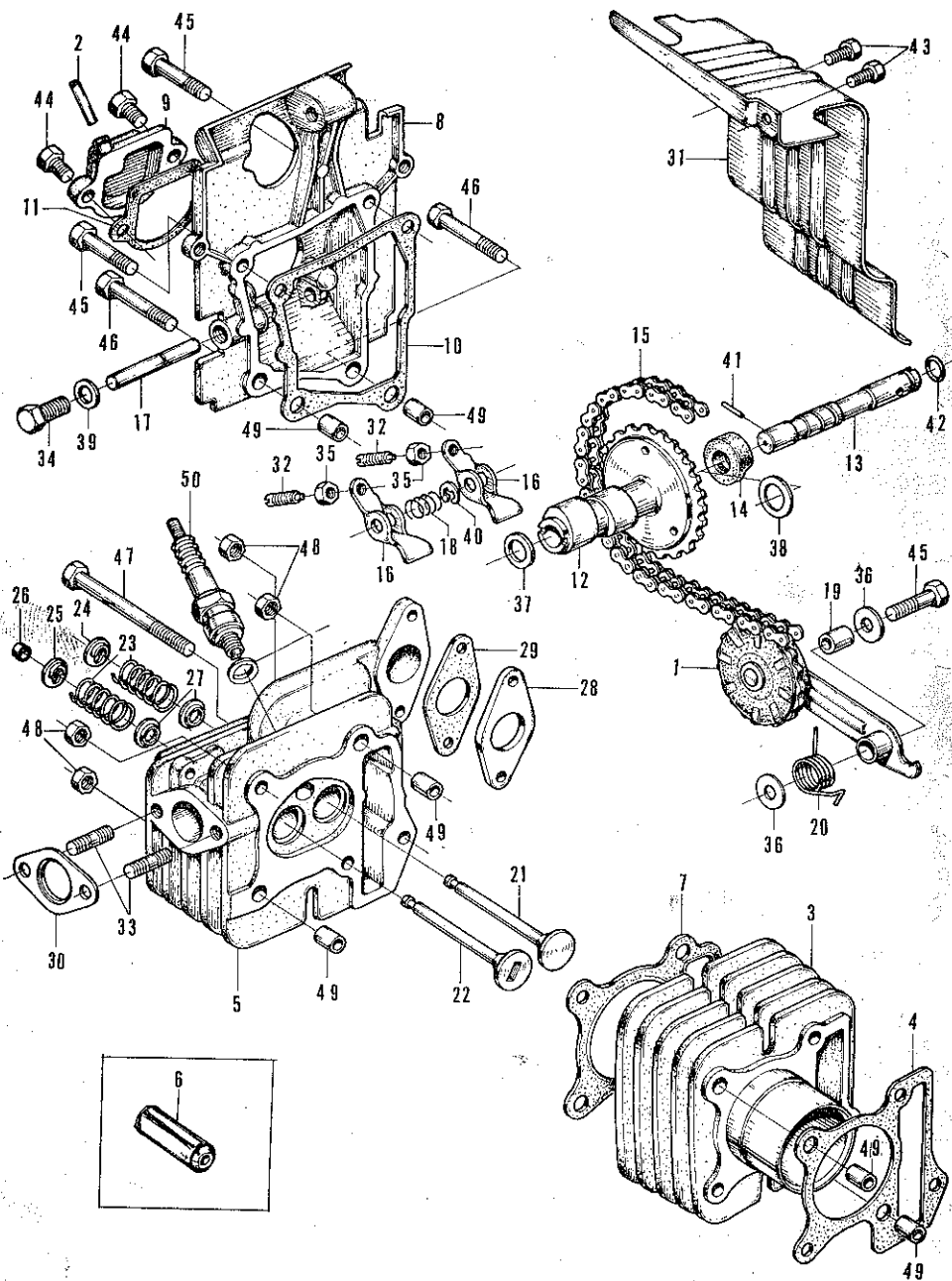
G-8 CLUTCH-R, CRANK CASE COVER (G28F5)



G-8 CLUTCH-R, CRANK CASE COVER (G28F5)

Ref. No.	Part No.	Description	Qty used		No. Used on		Remarks
			FS D	FS F	From	To	
31	90701-816-000	KEY, 4 mm (Optional Part)	1	1			
32	91231-816-000	OIL SEAL, 5, 10, 4	1	1			
33	91254-816-000	OIL SEAL, 20, 35, 7	1	1			
34	91305-844-000	O RING, 10.8×2.4	1	1			
35	92000-05008-0A	BOLT, hex., 5×8	1	1			
36	92000-05014-0A	BOLT, hex., 5×14	1	1			
37	92000-06036	BOLT, hex., 6×36	6	6			
38	92000-06045	BOLT, hex., 6×45	3	3			
39	92000-08020-0A	BOLT, hex., 8×20 (Optional Part)	1	1			
40	92800-12000	BOLT, drain plug, 12mm	1	1			
41	94002-05000-0S	NUT, thin, 5 mm	1	1			
42	94109-12000	WASHER, drain plug, 12mm	1	1			
43	94301-10160	PIN, knock, 10×16A	2	2			
44	96100-60040	BEARING, ball radial, 6004	1	1			
45	96100-63030	BEARING, ball radial, 6303	1	1			
46	96211-15000	BALL, steel, #15	2	2			

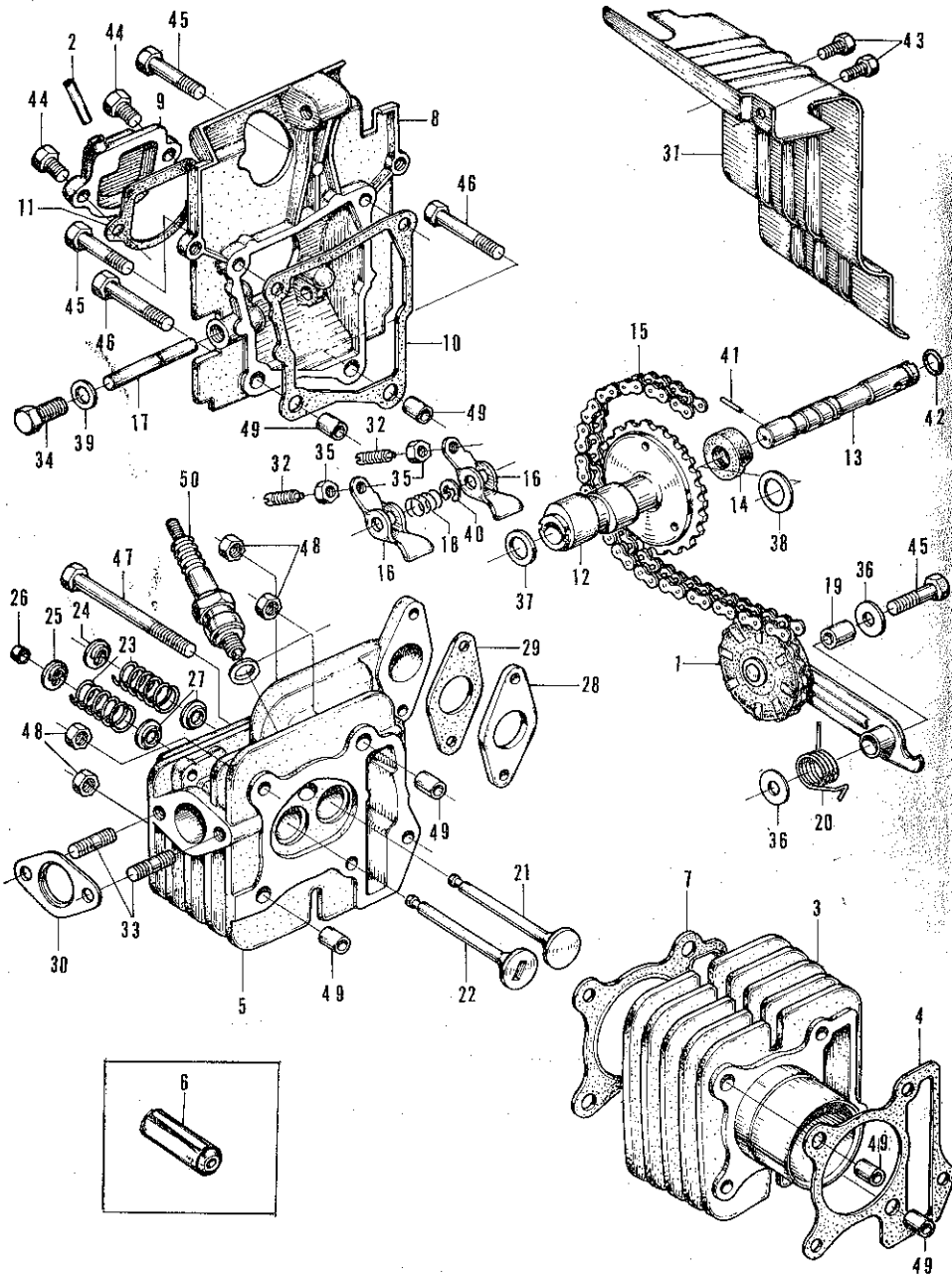
G-9 CYLINDER HEAD • CYLINDER • CAMSHAFT



G-9 CYLINDER HEAD • CYLINDER • CAMSHAFT

Ref. No.	Part No.	Description	Q'ty used							No. Used on		Remarks
			D	ED	FD	FG	FS	WD	From	To		
1	11120-044-330	TENSIONER, cam chain <i>11231</i>	1	1	1	1	1	1				
2	11204-816-010	JOINT, breather pipe	1	1	1	1	1	1				
3	12101-844-000	CYLINDER	1	1	1	1	1	1				
4	12191-844-000	PACKING, cylinder	1	1	1	1	1	1				
5	12200-844-000	HEAD, cylinder	1	1	1	1	1	1	1	2		
6	12236-816-305	GUIDE, valve (over size)	1	1	1	1	1	1				
7	12251-844-000	GASKET, cylinder head	1	1	1	1	1	1				
8	12301-844-000	COVER, cylinder head	1	1	1	1	1	1				
9	12361-816-020	CAP, tappet	1	1	1	1	1	1				
10	12391-816-010	PACKING, cylinder head cover	1	1	1	1	1	1				
11	12401-816-000	PACKING, tappet cap	1	1	1	1	1	1				
12	14101-816-040	CAMSHAFT	1	1	1	1	1	1				
13	14120-044-020	PIN, camshaft center	1	1	1	1	1	1				
14	14150-844-000	COLLAR, camshaft center	1	1	1	1	1	1				
X 15	14401-816-010	CAM, chain <i>173</i>	1	1	1	1	1	1				
16	14431-044-030	ARM, valve rocker	2	2	2	2	2	2				
17	14451-044-000	SHAFT, valve rocker arm	1	1	1	1	1	1				
18	14481-044-000	SPRING, rocker arm side	1	1	1	1	1	1				
19	14531-816-000	COLLAR, tension arm pivot	1	1	1	1	1	1				
20	14541-816-000	SPRING, cam chain tension	1	1	1	1	1	1				
21	14711-816-020	Superseded by 14711-816-030										
21-1	14711-816-030	VALVE, inlet	1	1	1	1	1	1				
22	14721-844-000	VALVE, exhaust	2	1	1	1	1	1				
23	14751-044-010	SPRING, valve	2	2	2	2	2	2				
24	14771-044-305	Superseded by 14772-044-010										
25	14772-044-010	RETAINER, exhaust valve spring	2	2	2	2	2	2				
26	14777-044-020	ADJUSTER, tappet clearance	2	2	2	2	2	2				
27	14781-044-000	SEAT, valve spring under	2	2	2	2	2	2				
28	16211-844-000	INSULATOR, carburetor	1	1	1	1	1	1				
29	16229-844-000	PACKING, carburetor insulator	1	1	1	1	1	1				
30	18232-816-020	PACKING, exhaust pipe	1	1	1	1	1	1				

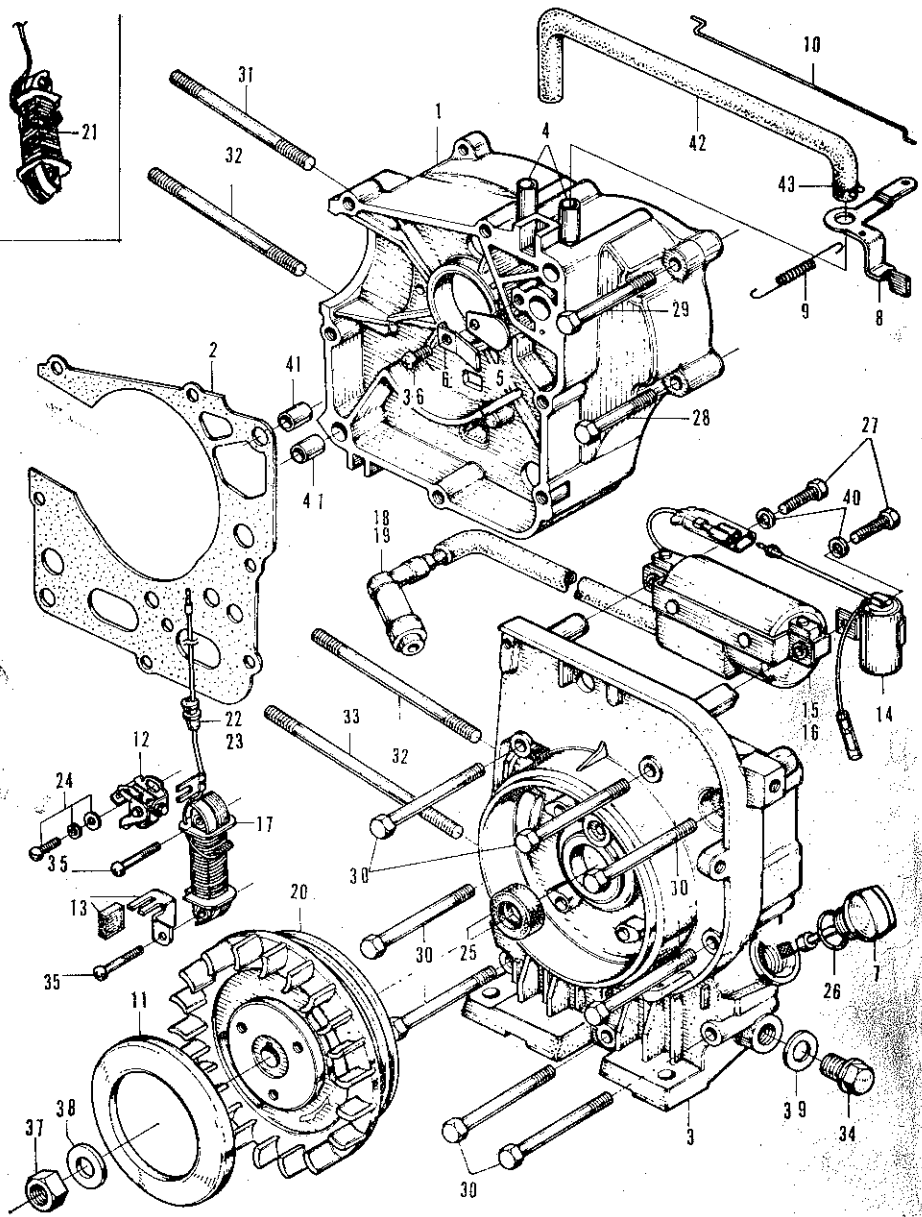
G-9 CYLINDER HEAD · CYLINDER · CAMSHAFT



G-9 CYLINDER HEAD · CYLINDER · CAMSHAFT

Ref. No.	Part No.	Description	Q'ty used					No. Used on		Remarks
			D	ED	FD	FG	FS	WD	From	
31	19610 844-000	VANE guide	1	1	1	1	1			
32	90012-044 000	SCREW, tappet adjusting	2	2	2	2	2			
33	90032-816-000	BOLT, stud, 6 × 23	2	2	2	2	2			
34	90081 044 000	BOLT, sealing, 8 mm	2	2	2	2	2			
35	90206 001 000	NUT, tappet adjusting	2	2	2	2	2			
36	90417 001 000	WASHER, shift drum side	2	2	2	2	2			
37	90457-044 010	WASHER A, 10mm	1	1	1	1	1			
38	90458 044 000	WASHER B, 10mm	1	1	1	1	1			
39	90488-044 000	WASHER, 8 mm	1	1	1	1	1			
40	90603 044 000	CIR CLIP, 6 mm	1	1	1	1	1			
41	90742-044-000	PIN, knock, 3 × 12	1	1	1	1	1			
42	91302 044 010	O RING, 6.9 × 1.5	1	1	1	1	1			
43	92000 05008 0A	BOLT, hex., 5 × 8	2	2	2	2	2			
44	92000 06016	BOLT, hex., 6 × 16	2	2	2	2	2			
45	92000 06025	BOLT, hex., 6 × 25	3	3	3	3	3			
46	92000 06036	BOLT, hex., 6 × 36	2	2	2	2	2			
47	92000 06071	BOLT, hex., 6 × 71	2	2	2	2	2			
48	94001-06000 0S	NUT, hex., 6 mm	4	4	4	4	4			
49	94301 08140	PIN, knock, 8 × 14A	6	6	6	6	6			
50	98056 56710	PLUG, sparking (C 6HB)	1	1	1	1	1			

G-10 FLY WHEEL - CRANK CASE

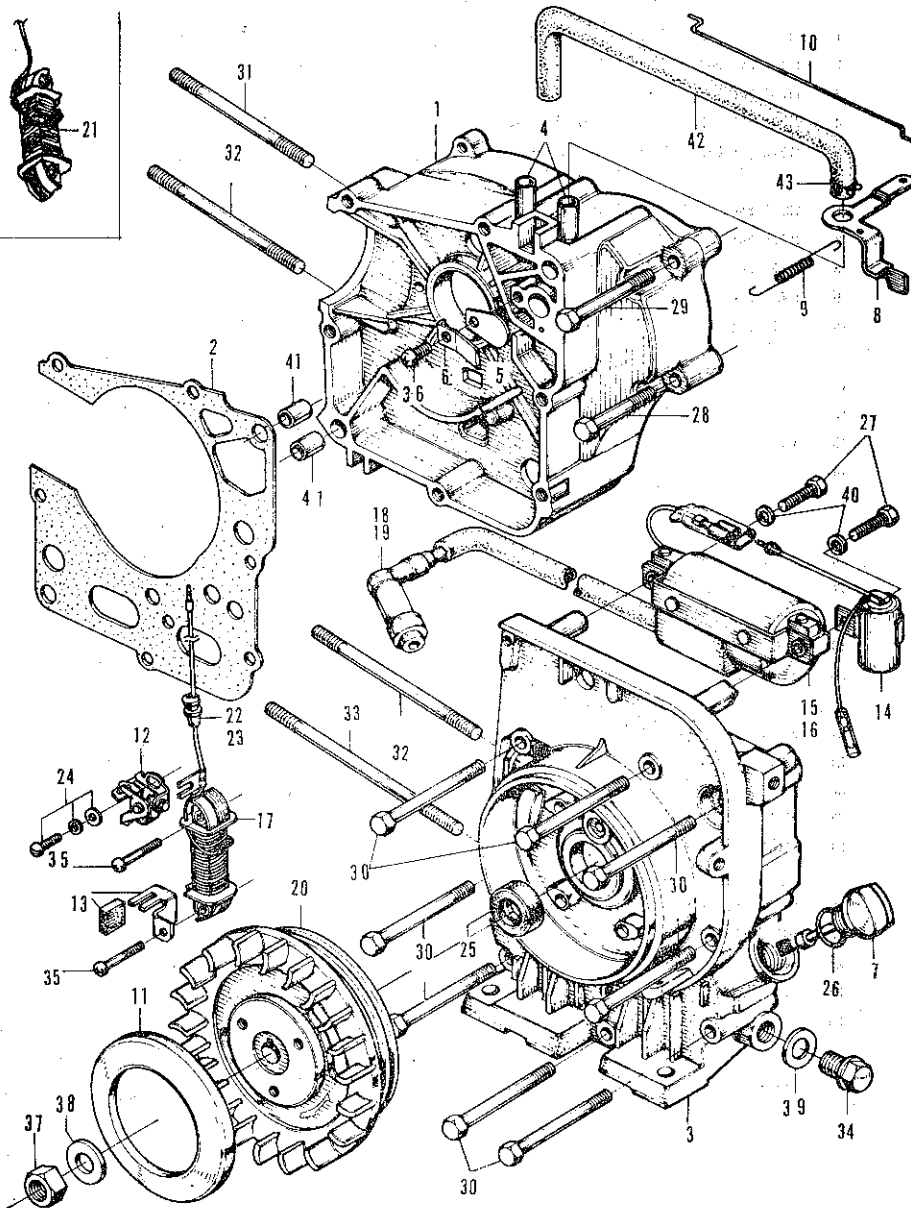


G-10 FLY WHEEL - CRANK CASE

Ref. No.	Part No.	Description	Q'ty used					No. Used on		Remarks
			D	ED	FD	FG	WD	From	To	
1	H1101-844-010	CASE, right crank	1	1	1	1	1			
X 2	11191-844-000	PACKING, crank case	1	1	1	1	1			
3	11201-844-000	CASE, crank left	1	1	1	1	1			
4	11204-816-010	JOINT, breather pipe	2	2	2	2	2			
5	12372-844-000	VALVE, breather	1	1	1	1	1			
6	12373-844-000	STOPPER, breather valv	1	1	1	1	1			
7	15620-844-000	CAP, oil filler	1	1	1	1	1			
8	16621-844-000	LEVER, choke	1	1	1	1	1			
9	16623-844-000	SPRING choke lever	1	1	1	1	1			
10	16625-844-000	ROD, choke	1	1	1	1	1			
11	28433-816-010	COVER, seal	1	1	1	1	1			
12	<del>30202-844-000</del>	BREAKER ASSY, contact	1	1	1	1	1			30202 old 1342 copy
13	30205-816-000	FELT, oil	1	1	1	1	1			B/M 20
14	30250-844-004	CONDENSER	1	1	1	1	1			x166 1513
15	30500-844-004	COIL ASSY., ignition	1	1	1	1	1			~1012557
16	30500-844-014	COIL ASSY., ignition	1	1	1	1	1			844-1012558~
17	30560-844-004	COIL, primary	1	1	1	1	1			
18	30600-841-000	TERMINAL ASSY., high tension	1	-	1	1	1			844-1012558~
19	30700-044-000	CAP, noise suppressor	1	-	1	1	1			~1012557
20	31120-844-004	FLY WHEEL	1	1	1	1	1			
21	31520-830-168	COIL ASSY., exciter	-	1	-	-	-			1009820
21-1	31520-846-158	COIL ASSY., exciter	-	1	-	-	-			844-1009821~
22	32901-816-000	GROMMET, cord	1	-	1	1	1			
23	32901-816-010	GROMMET, cord	-	1	-	-	-			
24	90018-816-000	BISS, breaker set	1	1	1	1	1			
25	91211-044-000	OIL-SEAL, 15, 25, 6	1	1	1	1	1			
26	91303-800-000	O-RING, 16mm	1	1	1	1	1			
27	92000-05025-0A	BOLT, hex., 5 x 25	2	2	2	2	2			
28	92000-06032	BOLT, hex., 6 x 32	1	1	1	1	1			
29	92000-06045	BOLT, hex., 6 x 45	1	1	1	1	1			
30	92000-06056	BOLT, hex., 6 x 56	8	8	8	8	8			



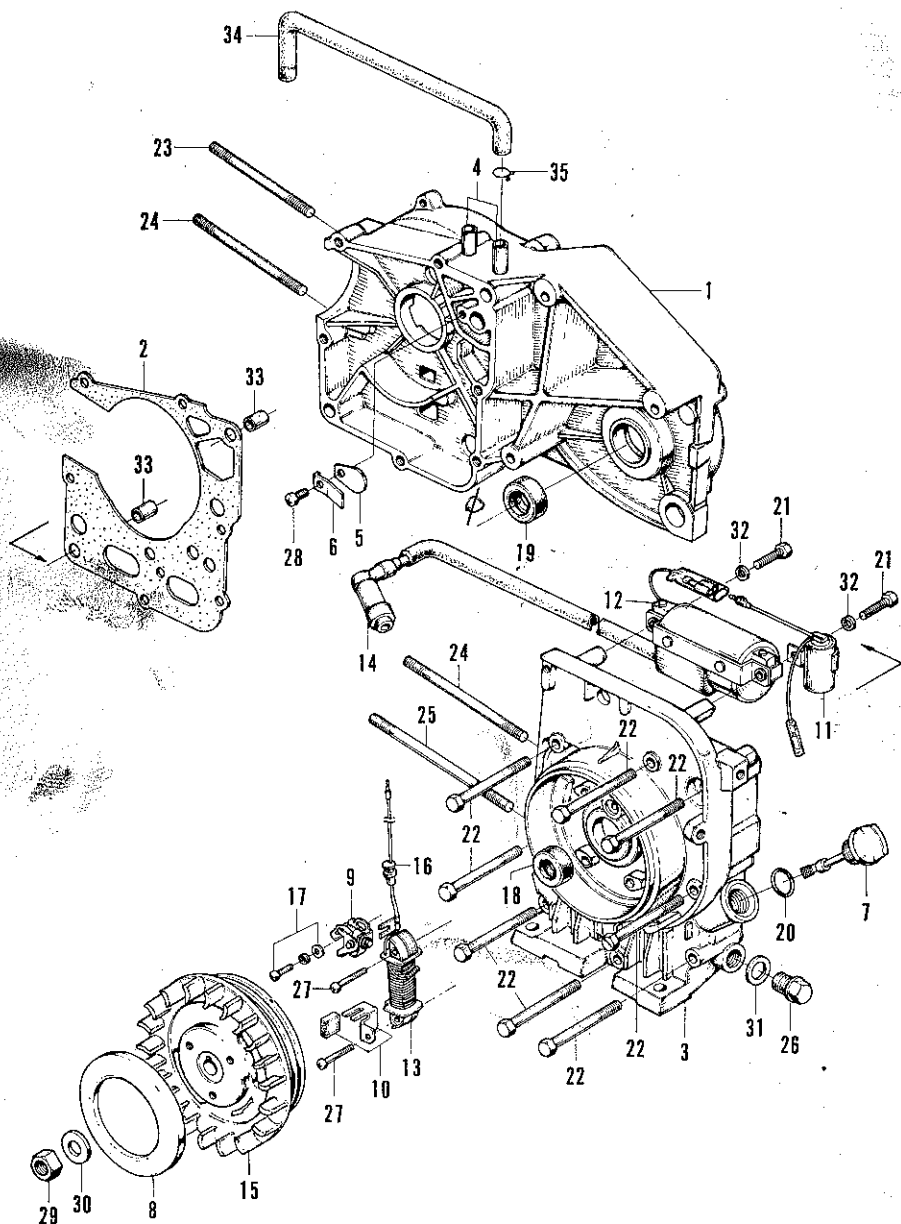
G-10 FLY WHEEL - CRANK CASE



G-10 FLY WHEEL - CRANK

Ref. No.	Part No.	Description	Q'ty used					No. Used on		Remarks
			D	ED	FD	FG	WD	From	To	
31	92000-06080	BOLT, stud, 6×80	1	1	1	1	1			
32	92700-06090	BOLT, stud, 6×90	2	2	2	2	2			
33	92700-06115	BOLT, stud, 6×115	1	1	1	1	1			
34	92800-12000	BOLT, drain plug, 12mm	1	1	1	1	1			
35	93500-04020-0A	SCREW, pan, 4×20	2	2	2	2	2			
36	93500-05008-0A	SCREW, pan, 5×8	1	1	1	1	1			
37	94001-10000-0S	NUT, hex., 10mm	1	1	1	1	1			
38	94101-10000	WASHER, plain, 10mm	1	1	1	1	1			
39	94109-12000	WASHER, drain plug, 12mm	1	1	1	1	1			
40	94111-05000	WASHER, spring, 5 mm	2	2	2	2	2			
41	94301-10160	PIN, knock, 10×16A	2	2	2	2	2			
42	95001-70350	TUBE, fuel, 7×350	1	1	1	1	1			
43	95002-70000	CLIP, fuel tube, 7mm	1	1	1	1	1			

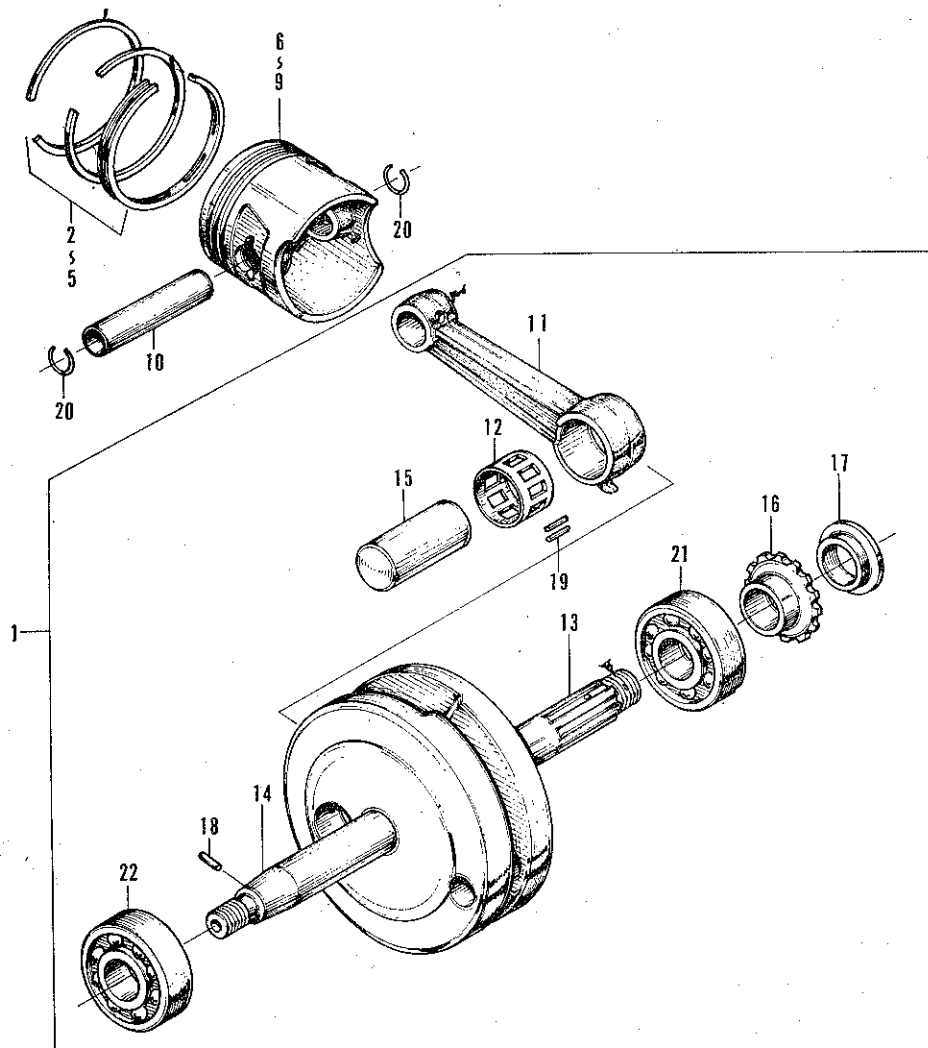
G-11 FLY WHEEL - CRANK CASE (G28FS)



G-11 FLY WHEEL - CRANK CASE (G28FS)

Ref. No.	Part No.	Description	Q'ty used		No. Used on		Remarks
			FS D	FS F	From	To	
1	11101-844-740	CASE, right crank .....	1	1			
2	11191-844-000	PACKING, crank case .....	1	1			
3	11201-844-000	CASE, left crank .....	1	1			
4	11204-816-010	JOINT, breather .....	2	2			
5	12372-844-000	VALVE, breather .....	1	1			
6	12373-844-000	STOPPER, breather valve .....	1	1			
7	15620-844-000	CAP, oil filler .....	1	1			
8	28433-816-010	COVER, seal .....	1	1			
9	30202-044-000	BREAKER ASSY., contact .....	1	1			
10	30205-816-000	FELT, oil .....	1	1			
11	30250-844-004	CONDENSER .....	1	1			
12	30500-844-014	COIL ASSY., ignition .....	1	1			
13	30560-844-004	COIL, primary .....	1	1			
14	30600-841-000	TERMINAL ASSY., high tention .....	1	1			
15	31120-844-004	FLY WHEEL .....	1	1			
16	32901-816-000	GROMMET, cord .....	1	1			
17	90018-816-000	BISS, breaker set .....	1	1			
18	91211-044-000	OIL SEAL, 15, 25, 6 .....	1	1			
19	91221-844-000	OIL SEAL, 17, 28, 6 .....	1	1			
20	91303-800-000	O RING, 16mm .....	1	1			
21	92000-05025-0A	BOLT, hex., 5 x 25 .....	2	2			
22	92000-06056	BOLT, hex., 6 x 56 .....	8	8			
23	92700-06080	BOLT, stud, 6 x 80 .....	1	1			
24	92700-06090	BOLT, stud, 6 x 90 .....	2	2			
25	92700-06115	BOLT, stud, 6 x 115 .....	1	1			
26	92800-12000	BOLT, drain plug, 12mm .....	1	1			
27	93500-04020-0A	SCREW, pan, 4 x 20 .....	2	2			
28	93500-05008-0A	SCREW, pan, 5 x 8 .....	1	1			
29	94001-10000	NUT, hex., 10mm .....	1	1			
30	94101-10000	WASHER, plain, 10mm .....	1	1			
31	94109-12000	WASHER, drain plug, 12mm .....	1	1			
32	94111-05000	WASHER, spring, 5 mm .....	2	2			
33	94301-10160	PIN, knock, 10x16A .....	2	2			
34	95001-70350	TUBE, fuel, 7 x 350 .....	1	1			
35	95002-70000	CLIP, fuel tube, 7 mm .....	1	1			

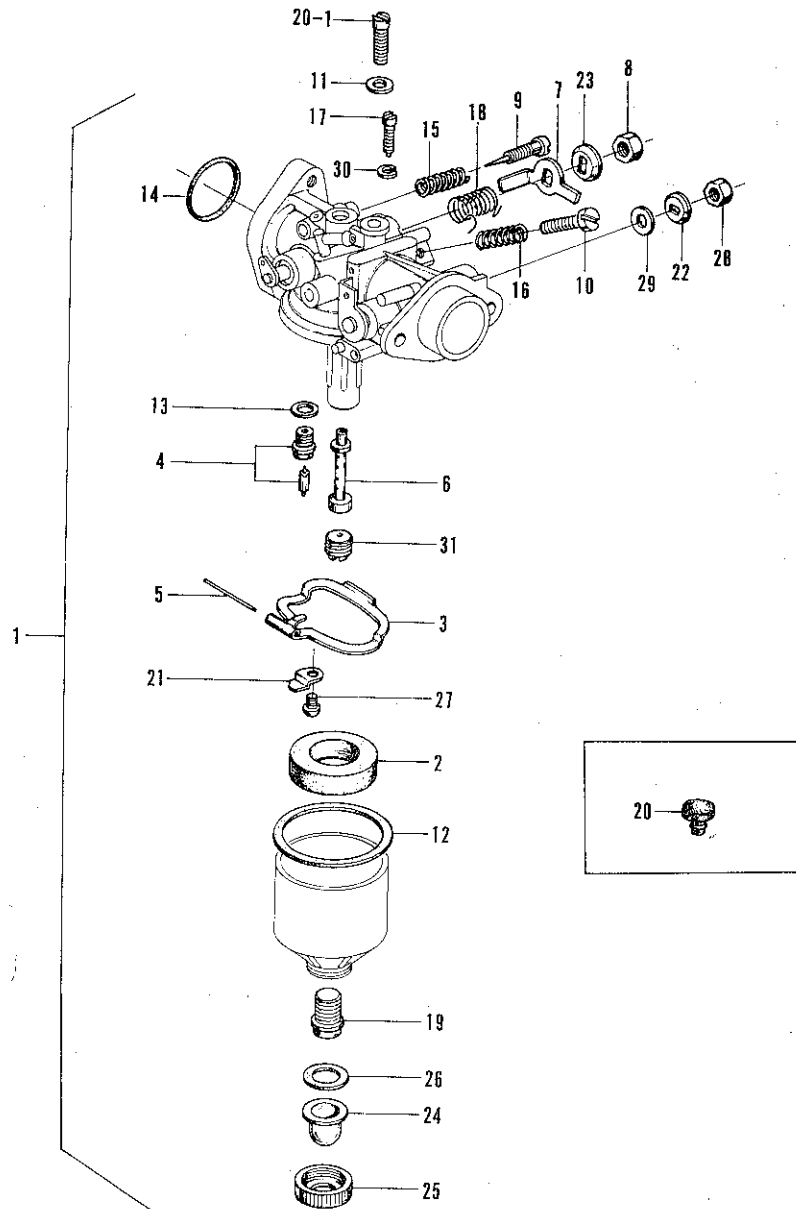
G-12 CRANK SHAFT - PISTON



G-12 CRANK SHAFT - PISTON

Ref. No.	Part No.	Description	Q'ty used							No. Used on		Remarks
			D	EA	ED	FD	FG	FS	WD	From	To	
1	13000-844-010	CRANK SHAFT	1	1	1	1	1	1	1			
2	13011-201-000	RING SET, piston (S.T.D)	1	1	1	1	1	1	1			
3	13021-201-000	RING SET, piston (+0.25)	(1)	(1)	(1)	(1)	(1)	(1)	(1)			
4	13031-201-000	RING SET, piston (+0.50)	(1)	(1)	(1)	(1)	(1)	(1)	(1)			
5	13041-201-000	RING SET, piston (+0.75)	(1)	(1)	(1)	(1)	(1)	(1)	(1)			
6	13101-844-000	PISTON (S.T.D)	1	1	1	1	1	1	1			
7	13102-844-000	PISTON (+0.25)	(1)	(1)	(1)	(1)	(1)	(1)	(1)			
8	13103-844-000	PISTON (+0.50)	(1)	(1)	(1)	(1)	(1)	(1)	(1)			
9	13104-844-000	PISTON (+0.75)	(1)	(1)	(1)	(1)	(1)	(1)	(1)			
10	13111-816-000	PIN, piston	1	1	1	1	1	1	1			
11	13201-844-000	ROD, connecting	1	1	1	1	1	1	1			
12	13211-001-020	RETAINER, roller	1	1	1	1	1	1	1			
13	13311-844-000	CRANK SHAFT, right	1	1	1	1	1	1	1			
14	13321-844-000	CRANKSHAFT, left	1	1	1	1	1	1	1			
15	13381-844-000	PIN, crank	1	1	1	1	1	1	1			
16	14311-844-010	SPROCKET, timing	1	1	1	1	1	1	1			
17	14315-844-000	COLLAR, timing sprocket distance	1	1	1	1	1	1	1			
18	90747-044-000	PIN, knock, 3 x 4	1	1	1	1	1	1	1			
19	91101-001-030	ROLLER, 2.5x10	20	20	20	20	20	20	20			
20	94601-13000	CLIP, piston pin	2	2	2	2	2	2	2			
21	96100-62030	BEARING, ball 6203	1	1	1	1	1	1	1			
22	96100-63030	BEARING, ball 6303	1	1	1	1	1	1	1			

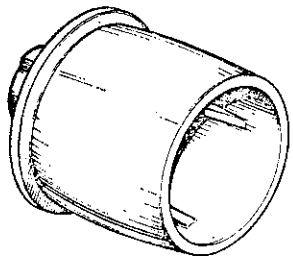
### G-13 CARBURETOR



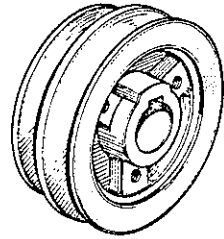
### G-13 CARBURETOR

Ref. No.	Part No.	Description	Q'ty used							No. Used on		Remarks
			D	CD	ED	FD	FS	FG	WD	From	To	
1	16100-844-004	superseded by 16100-844-014										
1-1	16100-844-014	CARBURETOR ASSY	1	1	1	1	1	1	1			
2	16122-841-004	FLOAT	1	1	1	1	1	1	1			
3	16123-841-004	ARM, float	1	1	1	1	1	1	1			
4	16125-841-004	VALVE SET, float	1	1	1	1	1	1	1			
5	16126-841-004	PIN, arm	1	1	1	1	1	1	1			
6	16134-844-004	superseded by 16134-844-014										
6-1	16134-844-014	NOZZLE, main	1	1	1	1	1	1	1			
7	16141-844-004	LEVER, throttle	1	1	1	1	1	1	1			
8	16147-548-004	NUT, hex., 6mm	1	1	1	1	1	1	1			
9	16161-816- <del>050</del>	SCREW, adjust	1	1	1	1	1	1	1			
10	16163-816-014	SCREW, stop	1	1	1	1	1	1	1			
11	16170-823-004	WASHER, plain	1	1	1	1	1	1	1	1	844-1007728-	
12	16172-841-004	SQUARE RING, 46φ×0.8	1	1	1	1	1	1	1			
13	16173-823-004	WASHER, plain, 7.2φ	1	1	1	1	1	1	1			
14	16176-001-004	O RING, 23φ×2.4	1	1	1	1	1	1	1			
15	16181-809-004	SPRING, coil	1	1	1	1	1	1	1			
16	16182-816-004	SPRING, coil	1	1	1	1	1	1	1			
17	16183-841-004	SCREW, throttle shaft guide	1	1	1	1	1	1	1			
18	16183-844-004	SPRING, torsion coil	1	1	1	1	1	1	1			
19	16185-841-004	BOLT, hex., 10×10	1	1	1	1	1	1	1			
20	16188-841-004	CAP, rubber	1	1	1	1	1	1	1			~160777
20-1	16168-823-000	SCREW, plug	1	1	1	1	1	1	1	1	844-1007728-	
21	16196-841-004	PLATE, pin set	1	1	1	1	1	1	1			
22	16197-049-004	WASHER, lock	1	1	1	1	1	1	1			
23	16197-844-004	WASHER, lock	1	1	1	1	1	1	1			
24	16911-841-004	CUP, fuel strainer	1	1	1	1	1	1	1			
25	16912-841-004	CAP	1	1	1	1	1	1	1			
26	16913-841-004	SQUARE RING, 16.5φ×2	1	1	1	1	1	1	1			
27	93500-03004-0A	SCREW, pan, 3×4	1	1	1	1	1	1	1			
28	94001-05000-0S	NUT, hex., 5mm	1	1	1	1	1	1	1			
29	94101-05200	WASHER, plain, 5mm	1	1	1	1	1	1	1			
30	94111-03000	WASHER, spring, 3mm	1	1	1	1	1	1	1			
31	99114-823-0620	JET, main (#62)	(1)	(1)	(1)	(1)	(1)	(1)	(1)	(1)	(1)	
	99114-823-0650	JET, main (#65)	(1)	(1)	(1)	(1)	(1)	(1)	(1)	(1)	(1)	
	99114-823-0680	JET, main (#68 S.T.D.)	1	1	1	1	1	1	1	1	1	
	99114-823-0700	JET, main (#70)	(1)	(1)	(1)	(1)	(1)	(1)	(1)	(1)	(1)	
	99115-823-0720	JET, main (#72)	(1)	(1)	(1)	(1)	(1)	(1)	(1)	(1)	(1)	

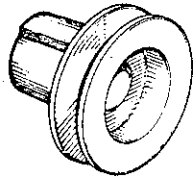
GY-1 PULLEY



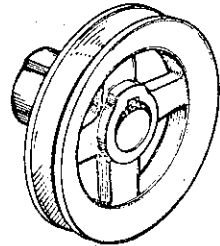
④



①



⑤



②

③

GY-1 PULLEY

Ref. No.	Part No	Description	Q'ty used							No. Used on		Remarks
			D	C	E	D	F	G	W	D	To	
1	22510-715-620	PULLEY, drive	1	1	1	1	1	1	1			
2	78251-846-000	V PULLEY, 103φ	1	1	1	1	1	1	1			
3	78252-846-610	V PULLEY, 122φ	1	1	1	1	1	1	1			
4	78254-844-810	PULLEY, flat, 75φ	1	1	1	1	1	1	1			
5	78256-844-810	V PULLEY, 65φ	1	1	1	1	1	1	1			

PART NO. INDEX

Part No	Page	Part No	Page	Part No	Page
11000		13321-844-000	G- 33	16176-001-004	G- 35
11101-844-010	G- 27	13381-844-000	G- 33	16181-809-004	G- 35
11101-844-740	G- 31			16182-816-004	G- 35
11120-044-330	G- 23	14000		16183-841-004	G- 35
11191-844-000	G- 27	14101-816-040	G- 23	16183-844-004	G- 35
	G- 31	14120-044-020	G- 23	16185-841-004	G- 35
11201-844-000	G- 27	14150-844-000	G- 23	16188-841-004	G- 35
	G- 31	14311-844-010	G- 33	16196-841-004	G- 35
11204-816-010	G- 23	14315-844-000	G- 33	16197-049-004	G- 35
	G- 27	14401-816-010	G- 23	16197-844-004	G- 35
	G- 31	14431-044-030	G- 23	16211-844-000	G- 23
11205-844-000	G- 3	14451-044-000	G- 23	16229-844-000	G- 23
	G- 5	14481-044-000	G- 23	16516-816-020	G- 15
11300-844-740	G- 19	14531-816-000	G- 23	16520-816-020	G- 15
11301-844-000	G- 15	14541-816-000	G- 23		G- 19
11301-844-660	G- 15	14711-816-020	G- 23	16530-844-000	G- 15
11391-844-000	G- 15	14721-844-000	G- 23	16540-844-000	G- 15
11391-844-740	G- 19	14751-044-010	G- 23		G- 19
		14771-044-305	G- 23	16545-844-000	G- 15
12000		14772-044-010	G- 23		G- 19
12101-844-000	G- 23	14777-044-020	G- 23	16551-844-000	G- 15
12191-844-000	G- 23	14781-044-000	G- 23	16551-844-740	G- 19
12200-844-000	G- 23			16570-844-000	G- 3
12236-816-305	G- 23	15000			G- 19
12251-844-000	G- 23	15430-844-630	G- 15	16572-844-300	G- 3
12301-844-000	G- 23		G- 19	16575-844-000	G- 3
12361-816-020	G- 23	15620-844-000	G- 27	16576-844-000	G- 3
12372-844-000	G- 27		G- 31	16621-844-000	G- 27
	G- 31			16623-844-000	G- 27
12373-844-000	G- 27	16000		16624-844-740	G- 5
	G- 31	16100-844-004	G- 35	16625-844-000	G- 27
12391-816-010	G- 23	16100-844-014	G- 35	16625-844-740	G- 5
12401-816-000	G- 23	16122-841-004	G- 35	16629-844-740	G- 5
		16123-841-004	G- 35	16911-841-004	G- 35
13000		16125-841-004	G- 35	16912-841-004	G- 35
13000-844-010	G- 33	16126-841-004	G- 35	16913-703-000	G- 7
13011-201-000	G- 33	16134-844-004	G- 35	16913-841-004	G- 35
13021-201-000	G- 33	16134-844-014	G- 35	16950-844-004	G- 7
13031-201-000	G- 33	16141-844-004	G- 35	16951-816-004	G- 7
13041-201-000	G- 33	16147-548-004	G- 35	16952-844-004	G- 7
13101-844-000	G- 33	16161-816-650	G- 35	16953-816-004	G- 7
13102-844-000	G- 33	16163-816-014	G- 35	16954-816-004	G- 7
13103-844-000	G- 33	16168-823-000	G- 35	16955-816-004	G- 7
13104-844-000	G- 33	16170-823-004	G- 35	16957-816-004	G- 7
13111-816-000	G- 33	16172-841-004	G- 35	16957-816-004	G- 7
13201-844-000	G- 33	16173-823-004	G- 35	16961-844-010	G- 7
13211-001-020	G- 33			16962-816-020	G- 7
13311-844-000	G- 33			16963-844-000	G- 7
				16981-703-004	G- 7

PART NO. INDEX

## PART NO. INDEX

Part No	Page	Part No	Page	Part No	Page
17000		21000		28444-816-000	G- 9
17210-844-000	G- 3	21371-717-000	G- 19	28445-816-000	G- 9
	G- 5			28446-816-000	G- 9
17211-844-000	G- 3	22000		28447-816-003	G- 9
	G- 5			28451-816-003	G- 9
17212-844-000	G- 3	22131-044-023	G- 15	28453-816-000	G- 9
	G- 5			28471-816-003	G- 9
17213-844-000	G- 3	22350-844-630	G- 15	28481-816-003	G- 9
	G- 5			28490-816-000	G- 9
17215-844-000	G- 3	22401-844-630	G- 15	30000	
	G- 5			30202-044-000	G- 27
17216-844-000	G- 3	22510-715-620	G- 37		
	G- 5	22530-844-631	G- 15	30205-816-000	G- 27
17230-844-000	G- 3				G- 31
	G- 5	23000		30250-844-004	G- 27
17231-844-303	G- 3				G- 31
	G- 5	23012-844-730	G- 15	30500-844-004	G- 27
17235-844-000	G- 3	23100-844-690	G- 15	30500-844-014	G- 27
	G- 5				G- 31
17240-844-000	G- 7	23105-844-000	G- 15	30560-844-004	G- 27
17246-844-000	G- 7	23106-844-000	G- 15		G- 31
17248-844-000	G- 3	23151-844-690	G- 15	30600-841-000	G- 27
	G- 5				G- 31
17500-844-000	G- 3	23151-844-730	G- 15	30700-044-000	G- 27
17500-844-740	G- 5	23200-844-630	G- 15	31000	
17650-805-000	G- 3	23202-844-000	G- 15		
	G- 5	23710-844-660	G- 15	31120-844-004	G- 27
17650-808-000	G- 3	23710-844-690	G- 15		G- 31
17672-703-010	G- 3	23710-844-730	G- 15	31520-830-158	G- 27
	G- 5	23740-844-740	G- 19		
17673-703-030	G- 3	23820-844-740	G- 19	32000	
	G- 5	23825-844-740	G- 19		
18000		23831-844-740	G- 19	32901-816-000	G- 27
18232-816-020	G- 11	23835-844-740	G- 19		G- 31
	G- 13	23836-844-740	G- 19	32901-816-010	G- 27
	G- 23			36000	
18300-844-000	G- 11	28000			
	G- 13	28400-816-040C	G- 9	36100-844-035	G- 7
18330-816-010	G- 11	28400-816-040F	G- 9	36151-805-641	G- 11
	G- 13	28410-816-010C	G- 9		G- 13
18340-816-010	G- 11	28410-816-010F	G- 9		
	G- 13	28420-816-003	G- 9		
19000		28430-844-003	G- 9		
19600-844-000C	G- 9	28433-816-010	G- 27		
19600-844-000F	G- 9				
19610-844-000	G- 25	28441-816-003	G- 9		
		28443-816-003	G- 9		

## PART NO. INDEX

Part No	Page	Part No	Page	Part No	Page
63000		90000		96000	
63501-844-000	G- 11	90012-044-000	G- 25	96100-60040	G- 17
63501-844-000F	G- 13	90018-816-000	G- 27		G- 21
63502-844-000	G- 11			96100-62030	G- 33
	G- 13	90021-816-000	G- 15	96100-63030	G- 21
63505-844-000	G- 11	90032-816-000	G- 25		G- 33
	G- 13	90081-044-000	G- 25		
	G- 13	90206-001-000	G- 25	98000	
		90231-816-000	G- 15		
78000			G- 19	98056-56710	G- 25
78251-846-000	G- 37	90417-001-000	G- 25		
78252-846-610	G- 37	90443-816-000	G- 15	99000	
78254-844-810	G- 37				
78256-844-810	G- 37	90443-844-000	G- 15	99114-8230620	G- 35
			G- 19	99114-8230650	G- 35
83000		90457-044-010	G- 25	99114-8230680	G- 35
		90458-044-000	G- 25	99114-8230700	G- 35
83151-805-000	G- 11	90471-704-010	G- 15	99115-8230720	G- 35
	G- 13		G- 19		
83513-044-000	G- 11	90488-044-000	G- 25		
	G- 13	90554-706-000	G- 19		
83517-044-000	G- 11	90556-844-000	G- 19		
	G- 13	90601-816-000	G- 17		
	G- 13		G- 19		
		90603-044-000	G- 25		
		90604-844-000	G- 17		
			G- 19		
		90653-700-000	G- 7		
87000		90701-816-000	G- 21		
87101-805-000	G- 3	90731-816-650	G- 7		
	G- 5	90741-044-000	G- 33		
87111-844-670	G- 3	90742-044-000	G- 25		
87111-844-680	G- 3	90746-835-000	G- 17		
87111-844-750	G- 5	90747-844-660	G- 17		
87529-816-730	G- 3				
87529-816-000	G- 3	91000			
87535-844-660	G- 3			91101-001-030	G- 33
	G- 5			91211-044-000	G- 27
87535-816-730	G- 3				G- 31
				91221-844-000	G- 31
89000				91231-816-000	G- 17
89000-044-000	G- 13				G- 21
89000-844-000	G- 11			91254-816-000	G- 21
89214-700-000	G- 11			91261-835-000	G- 17
	G- 13			91302-044-010	G- 25
				91303-800-000	G- 27
					G- 31
				91305-844-000	G- 21

# ALPHABETICAL INDEX

Description	Page	Description	Page
<b>A</b>		CIR-CLIP, 34MM	G- 7
ADJUSTER, TAPPET CLEARANCE	G- 23	CIR-CLIP, 42MM	G- 7
ARM, FLOAT	G- 35	CIR-CLIP, 5MM	G- 17
ARM, GOVERNOR	G- 19	CIR-CLIP, 8MM	G- 17
ARM, GOVERNOR	G- 15	CLIP, AIR CLEANER	G- 5
ARM, VALVE ROCKER	G- 23	CLIP, AIR CLEANER	G- 3
		COCK ASSY., FUEL	G- 7
<b>B</b>		COIL ASSY., EXCITER	G- 27
BAG, TOOL	G- 13	COIL ASSY., IGNITION	G- 31
BAG, TOOL	G- 11	COIL ASSY., IGNITION	G- 27
BEARING, BALL RADIAL, 6004	G- 21	COIL ASSY., IGNITION	G- 27
BEARING, BALL RADIAL, 6303	G- 21	COIL, PRIMARY	G- 31
BEARING, BALL 6203	G- 33	COIL, PRIMARY	G- 27
BEARING, BALL 6303	G- 33	COLLAR, CAMSHAFT CENTER	G- 23
BEARING, BALL, 6004	G- 17	COLLAR, DRIVE SPROCKET	G- 15
BISS, BREAKER SET	G- 31	COLLAR, TENSION ARM PIVOT	G- 23
BISS, BREAKER SET	G- 27	COLLAR, TIMING SPROCKET DISTANCE	G- 33
BODY, COCK	G- 7		G- 31
BOLT, DRAIN PLUG	G- 15	CONDENSER	G- 27
BOLT, HEX., 10X10	G- 35	CONDENSER	G- 5
BOLT, SEALING, 8MM	G- 25	COVER, AIR CLEANER	G- 3
BOLT, STUD, 6X23	G- 25	COVER, AIR CLEANER	G- 23
BREAKER ASSY., CONTACT	G- 31	COVER, CYLINDER HEAD	G- 9
BREAKER ASSY, CONTACT	G- 27	COVER, FAN	G- 9
		COVER, FAN	G- 19
<b>C</b>		COVER, P.T.O. SHAFT	G- 15
CAM, CHAIN	G- 23	COVER, RIGHT CRANK CASE	G- 15
CAMSHAFT	G- 35	COVER, RIGHT CRANK CASE	G- 19
CAP	G- 5	COVER, RIGHT CRANK CASE	G- 13
CAP, FUEL TANK	G- 3	COVER, RIGHT SIDE	G- 11
CAP, FUEL TANK	G- 3	COVER, RIGHT SIDE	G- 31
CAP, FUEL TANK	G- 27	COVER, SEAL	G- 27
CAP, NOISE SUPPRESSOR	G- 31	COVER, SEAL	G- 9
CAP, OIL FILLER	G- 27	COVER, STARTER SPRING	G- 33
CAP, OIL FILLER	G- 35	CRANK SHAFT	G- 33
CAP, RUBBER	G- 23	CRANK SHAFT, RIGHT	G- 33
CAP, TAPPET	G- 35	CRANKSHAFT, LEFT	G- 35
CARBURETOR ASSY	G- 27	CUP, FUEL STRAINER	G- 23
CASE, CRANK LEFT	G- 31	CYLINDER	
CASE, LEFT CRANK	G- 9		
CASE, RECOIL STARTER	G- 9	<b>D</b>	
CASE, RECOIL STARTER	G- 27	DRIVER	G- 13
CASE, RIGHT CRANK	G- 31	DRIVER	G- 11
CASE, RIGHT CRANK	G- 19		
CHAIN A, DRIVE	G- 15	<b>E</b>	
CHAIN B, DRIVE	G- 15	E-RING	G- 9
CHAINA, DRIVE	G- 19	ELEMENT, AIR CLEANER	G- 5
CIR CLIP, 5MM	G- 25	ELEMENT, AIR CLEANER	G- 3
CIR CLIP, 6MM	G- 19		
CIR CLIP, 8MM			

ALPHABETICAL INDEX



## ALPHABETICAL INDEX

Description	Page	Description	Page
<b>F</b>		<b>K</b>	
FELT, OIL	G- 31	KEY, 4MM (OPTIONAL PART)	G- 21
FELT, OIL	G- 27	KEY, 5MM	G- 17
FILTER, CHECK	G- 7	KNOB, FUEL COCK	G- 7
FILTER, FUEL	G- 5		
FILTER, FUEL	G- 3	<b>L</b>	
FLOAT	G- 35	LATCH, SIDE COVER	G- 13
FLY WHEEL	G- 31	LATCH, SIDE COVER	G- 11
FLY WHEEL	G- 27	LEVER, CHOKE	G- 5
		LEVER, CHOKE	G- 27
<b>G</b>		LEVER, COCK	G- 7
GASKET, CYLINDER HEAD	G- 23	LEVER, THROTTLE	G- 35
GEAR B, DRIVE	G- 15	LOD, GOVERNOR	G- 19
GEAR, DRIVE	G- 15		
GEAR, FINAL DRIVEN	G- 19	<b>M</b>	
GEAR, SECONDARY	G- 19	MARK, THROTTLE	G- 3
GROMMET A, CORD	G- 13	MARK, TOP	G- 5
GROMMET A, CORD	G- 11	MARK, TOP	G- 3
GROMMET, COCK SHAFT	G- 7	MUFFLER	G- 13
GROMMET, CORD	G- 27	MUFFLER	G- 11
GROMMET, CORD	G- 27		
GROMMET, CORD	G- 31	<b>N</b>	
GUIDE, CLUTCH CENTER	G- 19	NOZZLE, MAIN	G- 35
GUIDE, CLUTCH CENTER	G- 15	NUT, AIR CLEANER CLAMP	G- 5
GUIDE, CONTROL	G- 3	NUT, AIR CLEANER CLAMP	G- 3
GUIDE, VALVE (OVER SIZE)	G- 23	NUT, HEX., 6MM	G- 35
		NUT, LOCK, 14MM	G- 19
<b>H</b>		NUT, LOCK, 14MM	G- 15
HANDLE, STARTER	G- 9	NUT, TAPPET ADJUSTING	G- 25
HEAD, CYLINDER	G- 23		
HOLDER, GOVERNOR WEIGHT	G- 19	<b>O</b>	
HOLDER, GOVERNOR WEIGHT	G- 15	O RING, 10.8X2.4	G- 21
HOLDER, LEVER	G- 7	O RING, 16MM	G- 31
		O RING, 23 X2.4	G- 35
<b>I</b>		O RING, 6.9X1.5	G- 25
INSULATOR, CARBURETOR	G- 23	OIL SEAL, 15,25,6	G- 31
		OIL SEAL, 17,28,6	G- 31
<b>J</b>		OIL SEAL, 20,35,7	G- 21
JET, MAIN (#62)	G- 35	OIL SEAL, 5,10,4	G- 21
JET, MAIN (#65)	G- 35	OIL-SEAL, 15,25,6	G- 27
JET, MAIN (#68 S.T.D)	G- 35	OIL-SEAL, 25, 40, 7	G- 17
JET, MAIN (#70)	G- 35	OIL-SEAL, 5104	G- 17
JET, MAIN (#72)	G- 35	O-RING, 16MM	G- 27
JOINT, BREATHER	G- 31		
JOINT, BREATHER PIPE	G- 23	<b>P</b>	
JOINT, BREATHER PIPE	G- 27	PACKING A, AIR CLEANER	G- 3
		PACKING B, AIR CLEANER	G- 5

## ALPHABETICAL INDEX

Description	Page	Description	Page
PACKING B, AIR CLEANER	G- 3	PULLEY, FLAT, 75	G- 37
PACKING, CARBURETOR INSULATOR	G- 23	PULLEY, RECOIL STARTER	G- 9
		PULLEY, STARTER RETCHET	G- 9
PACKING, COCK	G- 7		
PACKING, CRANK CASE	G- 31	<b>R</b>	
PACKING, CRANK CASE	G- 27	RATCHET, STARTER	G- 9
PACKING, CYLINDER	G- 23	RETAINER, EXHAUST VALVE SPRING	G- 23
PACKING, CYLINDER HEAD COVER	G- 23	RETAINER, ROLLER	G- 33
PACKING, EXHAUST PIPE	G- 23	RING SET, PISTON (+0.25)	G- 33
PACKING, EXHAUST PIPE	G- 13	RING SET, PISTON (+0.50)	G- 33
PACKING, EXHAUST PIPE	G- 11	RING SET, PISTON (+0.75)	G- 33
PACKING, FLANGE	G- 7	RING SET, PISTON (S.T.D)	G- 33
PACKING, FUEL FILTER	G- 5	ROD, CHOKE	G- 5
PACKING, FUEL FILTER	G- 3	ROD, CHOKE	G- 27
PACKING, RIGHT COVER	G- 19	ROD, CONNECTING	G- 33
PACKING, RIGHT CRANK CASE COVER	G- 15	ROD, GOVERNOR	G- 15
		ROLLER, 2.5X10	G- 33
PACKING, STRAINER SETTING	G- 7	ROPE, RECOIL STARTER	G- 9
PACKING, TAPPET CAP	G- 23	RUBBER, FRICTION	G- 3
PACKINGA, AIR CLEANER	G- 5		
PAN, CLEANER, OIL	G- 5	<b>S</b>	
PAN, CLEANER, OIL	G- 3	SCREEN, CENTER	G- 9
PIECE, DRIVE SPROCKET DISTANCE	G- 15	SCREW, ADJUST	G- 35
		SCREW, PLUG	G- 35
PIN, ARM	G- 35	SCREW, STOP	G- 35
PIN, CAM	G- 19	SCREW, TAPPET ADJUSTING	G- 25
PIN, CAMSHAFT CENTER	G- 23	SCREW, THROTTLE SHAFT GUIDE	G- 35
PIN, CRANK	G- 33		
PIN, KNOCK, 3X12	G- 25	SEAT, VALVE SPRING UNDER	G- 23
PIN, KNOCK, 3X4	G- 33	SEPARATER A, AIR CLEANER	G- 5
PIN, LOCK, 10MM	G- 7	SEPARATER A, AIR CLEANER	G- 3
PIN, PISTON	G- 33	SEPARATER B, AIR CLEANER	G- 5
PIPE, BREATHER	G- 5	SEPARATER B, AIR CLEANER	G- 3
PIPE, BREATHER	G- 3	SEPARATOR, CLUTCH	G- 19
PISTON (+0.25)	G- 33	SEPARATOR, CLUTCH	G- 15
PISTON (+0.50)	G- 33	SHAFT B,P,T,O	G- 15
PISTON (+0.75)	G- 33	SHAFT C,P,T,O	G- 15
PISTON (S.T.D)	G- 33	SHAFT D,P,T,O	G- 15
PLATE, CAUTION	G- 5	SHAFT, ARM	G- 19
PLATE, CAUTION	G- 3	SHAFT, ARM	G- 15
PLATE, DRIVE	G- 19	SHAFT, CHOKE	G- 5
PLATE, DRIVE	G- 15	SHAFT, COCK	G- 7
PLATE, FRICTION	G- 9	SHAFT, CONTROL	G- 3
PLATE, OIL BATH CAUTION	G- 5	SHAFT, P.T.O	G- 19
PLATE, OIL BATH CAUTION	G- 3	SHAFT, SUB P.T.O	G- 19
PLATE, SPIN SET	G- 35	SHAFT, VALVE ROCKER ARM	G- 23
PLUG, SPARKING (C-6HB)	G- 25	SLIDE, GOVERNOR	G- 15
PROTECTOR A, MUFFLER	G- 13	SLIDER, GOVERNOR	G- 19
PROTECTOR A, MUFFLER	G- 11	SPRING CHOKE LEVER	G- 27
PROTECTOR B, MUFFLER	G- 13	SPRING, CAM CHAIN TENSION	G- 23
PROTECTOR B, MUFFLER	G- 11		
PULLEY, DRIVE	G- 37		

# CONTENTS

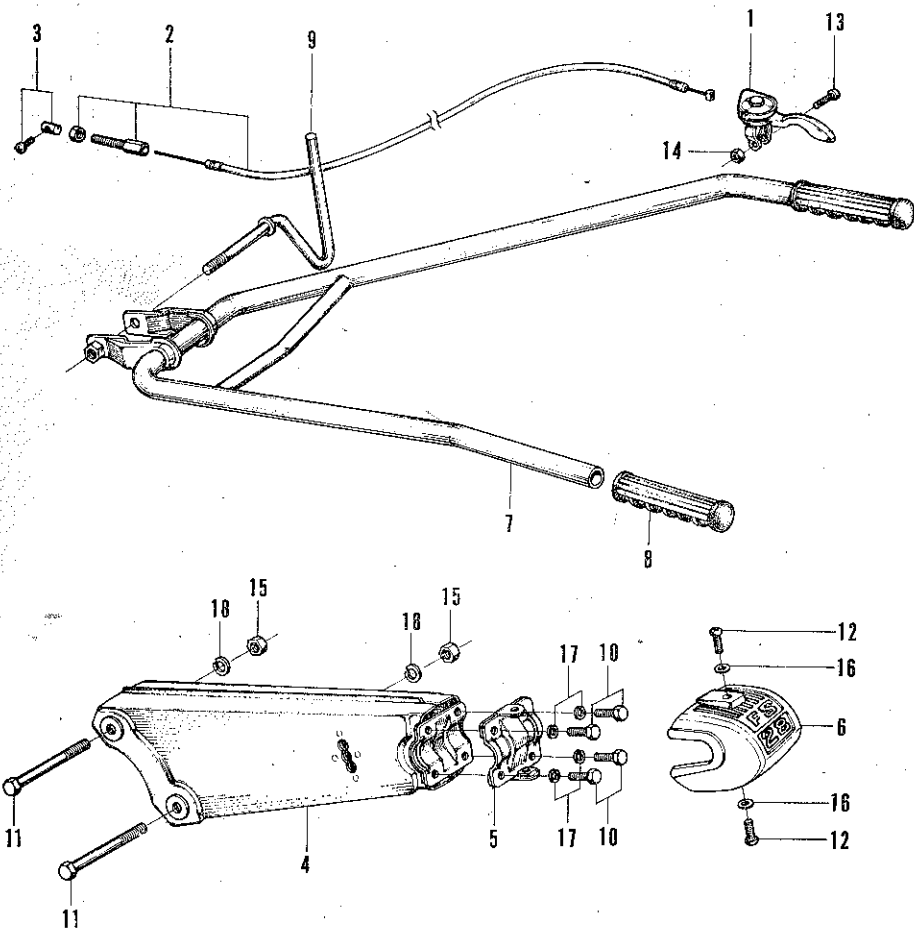
## ALPHABETICAL INDEX

Description	Page	Description	Page
SPRING, CHOKE LEVER	G- 5	VALVE, INLET	G- 23
SPRING, CLUTCH	G- 19	VANE GUIDE	G- 25
SPRING, CLUTCH	G- 15		
SPRING, COCK LEVER	G- 7		
SPRING, COIL	G- 35	W	
SPRING, COIL	G- 35	WASHER A, 10MM	G- 25
SPRING, FRICTION	G- 9	WASHER B, THRUST, 25MM	G- 19
SPRING, GOVERNOR	G- 15	WASHER B, 10MM	G- 25
SPRING, GOVERNOR	G- 19	WASHER, CLEANER	G- 5
SPRING, NEUTRAL	G- 19	WASHER, CLEANER COVER	G- 3
SPRING, ROCKER ARM SIDE	G- 23	WASHER, LOCK	G- 35
SPRING, SET	G- 9	WASHER, LOCK	G- 35
SPRING, STARTER RETURN	G- 9	WASHER, LOCK, 14MM	G- 19
SPRING, STOPPER	G- 3	WASHER, LOCK, 14MM	G- 15
SPRING, TORSION COIL	G- 35	WASHER, PLAIN	G- 35
SPRING, VALVE	G- 23	WASHER, PLAIN, 7.2	G- 35
SPROCKET B, DRIVE	G- 15	WASHER, SHIFT DRUM SIDE	G- 25
SPROCKET, DRIVE	G- 19	WASHER, SPECIAL, 6MM	G- 19
SPROCKET, DRIVE	G- 15	WASHER, STARTER	G- 9
SPROCKET, TIMING	G- 33	WASHER, THRUST, 8MM	G- 19
SQUARE RING, 16.5 X2	G- 35	WASHER, THRUST, 8MM	G- 15
SQUARE RING, 46 X0.8	G- 35	WASHER, 8MM	G- 15
STARTER ASSY., RECOIL	G- 9	WASHER, 8MM	G- 25
STARTER ASSY., RECOIL	G- 9	WASHER, 8MM(OPTIONAL PART)	G- 19
STAY, SIDE COVER	G- 13	WEIGHT, CLUTCH	G- 19
STAY, SIDE COVER	G- 11	WEIGHT, CLUTCH	G- 15
STOCK KEY, GIDHAND TAPER,	G- 17	WRENCH, BOX, 10X14	G- 13
STOPPER, BREATHER VALV	G- 27	WRENCH, BOX, 10X14	G- 11
STOPPER, BREATHER VALVE	G- 31	WRENCH, SPARK PLUG	G- 11
SWITCH ASSY, ENGINE	G- 7	WRENCH, SPARK PULG	G- 13
T			
TANK, FUEL	G- 5		
TANK, FUEL	G- 3		
TENSIONER, CAM CHIN	G- 23		
TERMINAL ASSY., HIGH TENSION	G- 27		
TERMINAL ASSY., HIGH TENTION	G- 31		
TOOL ASSY	G- 13		
TOOL ASSY,	G- 11		
TUBE, CONNECTING	G- 7		
V			
V PULLEY, 103	G- 37		
V PULLEY, 122	G- 37		
V PULLEY, 65	G- 37		
VALVE SET, FLOAT	G- 35		
VALVE, BREATHER	G- 31		
VALVE, BREATHER	G- 27		
VALVE, EXHAUST	G- 23		

Block No.	Description	Page
<b>FRAME BLOCK</b>		
FS-1	HONDLE COLUMN · HONDLE PIPE .....	FS- 2
FS-2	CHAINE CASE · HITCH BOX · DRAG BAR .....	FS- 4
FS-3	STAND BED .....	FS- 6
FS-4	WHEEL SHAFT · DRIVE CHAIN .....	FS- 8
<b>OPTIONAL PARTS</b>		
FSY-1	OPTIONAL PARTS .....	FS-10
<b>INDEX</b>		
	PART NO. INDEX .....	FS-13
	ALPHABETICAL INDEX .....	FS-15

FRAME BLOCK

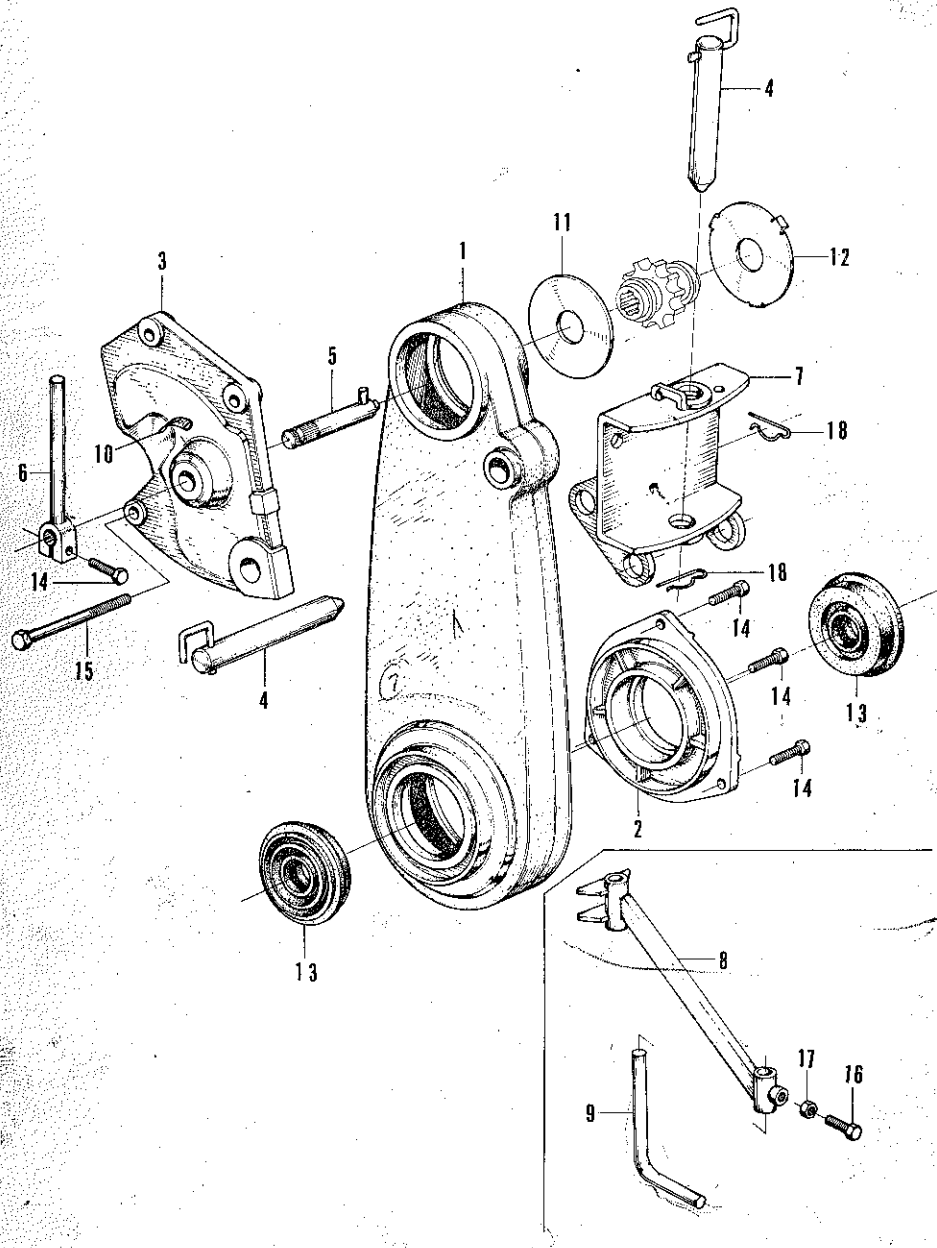
FS-1 HANDLE COLUMN · HANDLE PIPE



FS-1 HANDLE COLUMN · HANDLE PIPE

Ref. No.	Part No.	Description	Qty used		Used No. on		Remarks
			FS 28 D	FS 28 F	From	To	
1	17850-708-010	LEVER ASSY., throttle	1	1			
2	17910-717-000	CABLE, throttle	1	1			
3	17941-717-000	END, throttle wire	1	1			
4	50110-717-000F	COLUMN, handle (crystal blue metallic)	1	1			
5	50115-717-000	PLATE, handle set	1	1			
6	50201-717-000	COVER, column	1	1			
7	53100-717-000	PIPE, handle	1	1			
8	53321-708-000	GRIP, handle	2	2			
9	53631-717-000	BOLT, handle adjust	1	1			
10	92000-06012	BOLT, hex., 6 × 12	4	4			
11	92000-08085-0A	BOLT, hex., 8 × 85	2	2			
12	93500-06016	SCREW, pan, 6 × 16	2	2			
13	93500-06020	SCREW, pan, 6 × 20	1	1			
14	94001-06000	NUT, hex., 6 mm	1	1			
15	94001-08000-0S	NUT, hex., 8 mm	2	2			
16	94101-06000	WASHER, plain, 6 mm	2	2			
17	94111-06000	WASHER, spring, 6 mm	4	4			
18	94111-08000	WASHER, spring, 8 mm	2	2			

FS-2 CHAIN CASE · HITCH BOX · DRAG BAR



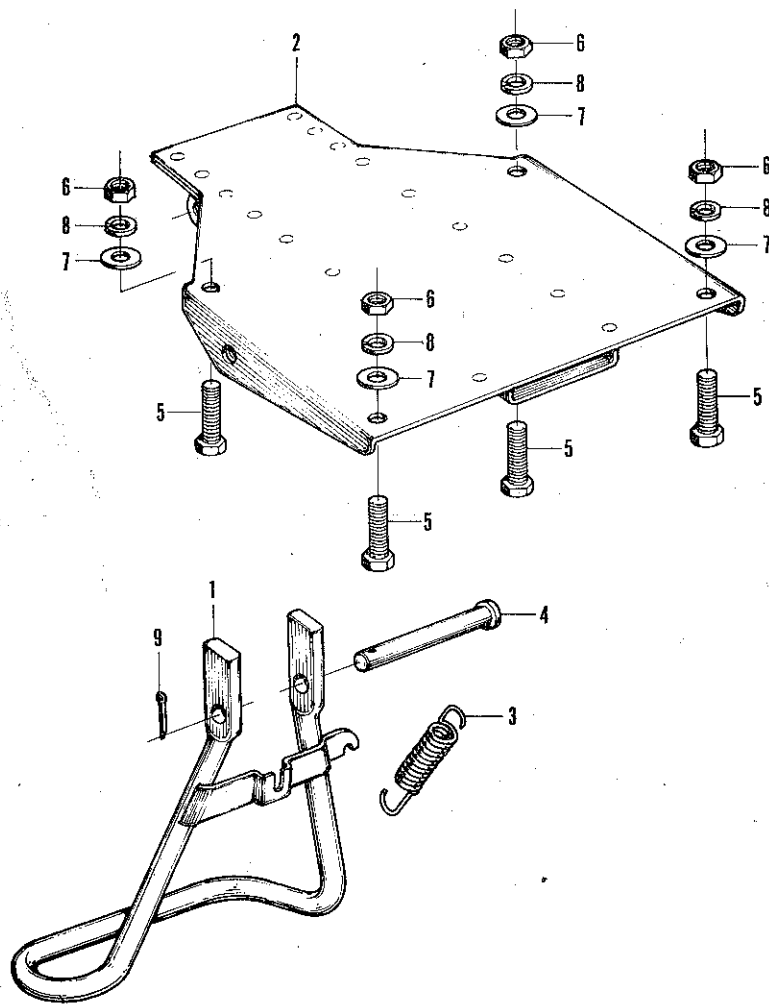
FS-2 CHAIN CASE · HITCH BOX · DRAG BAR

Ref. No.	Part No.	Description	Qty used		No. Used on		Remarks
			FS 28 D	FS 28 F	From	To	
1	21100-717-000	CASE, chain	1	1			
2	21210-717-000	COVER, chain case	1	1			
3	21401-717-000	HOLDER, case	1	1			
4	21910-717-000	PIN, case	2	2			
5	24101-717-000	SHAFT, neutral	1	1			
6	24291-717-000	LEVER, neutral	1	1			
7	50610-717-000	BOX, hitch	1	1			
8	80301-717-810	BAR, drag <i>use :- 8</i>	1	1			
9	80315-704-810	BAR B, drag	1	1			
10	87534-717-000	MARK, neutral	1	1			
11	90403-717-000	WASHER, 22mm	1	1			
12	90405-717-000	WASHER, special, 22mm	1	1			
13	91203-717-000	WASHER SEAL, 25, 44, 11	2	2			
14	92000-06020	BOLT, hex., 6 x 20	4	4			
15	92000-08100-0A	BOLT, hex., 8 x 100	1	1			
16	92023-10025-0A	BOLT, hex., 10 x 25	1	1			
17	94002-10000-0S	NUT, hex., 10mm	1	1			
18	94252-16100	PIN, lock, 16mm	2	2			

*use*  
 1 x 80150-708-000 HITCH 201  
 1 x 80311-704-810 BAR 202  
 ✓ 2 x 80161-708-000 Bolt 630  
 ✓ 2 x 80162-708-000 slwg. 622  
 ✓ 2 x 80163-708-000 WASHER 622  
 1 x 92030-12032-0A Bolt  
 ✓ 1 x 80170-708-000 Bolt 201

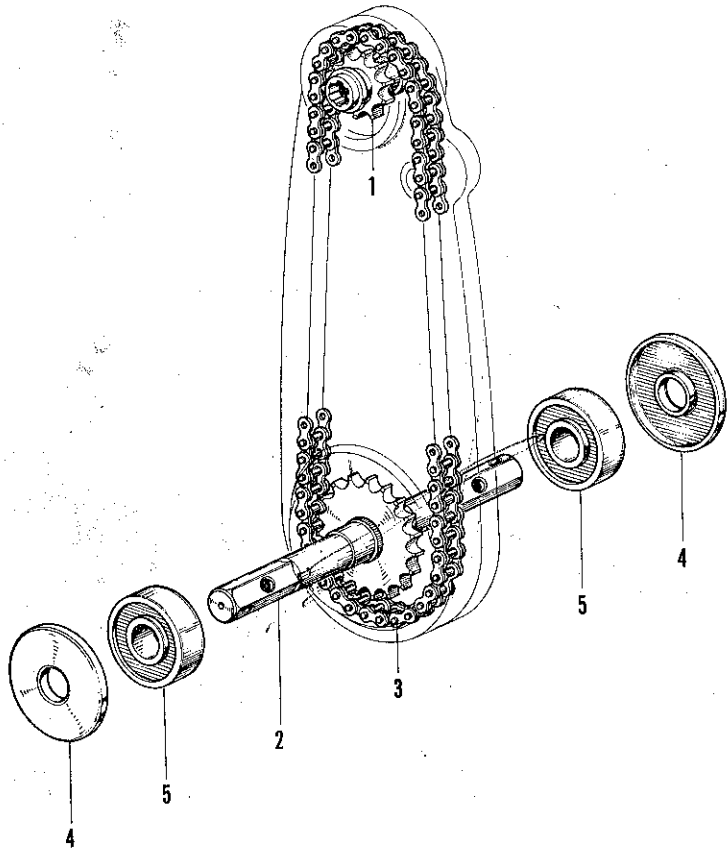
FS-3 STAND BED

FS-3 STAND BED



Ref. No.	Part No.	Description	Qty used		No. Used on		Remarks
			FS 28 D	FS 28 F	From	To	
1	51510-708-010	PIPE, stand .....	1	1			
2	51520-717-000	BED, stand .....	1	1			
3	51521-715-000	SPRING, locking, stand .....	1	1			
4	90754-708-000	PIN, stand .....	1	1			
5	92000-08032-0A	BOLT, hex., 8 × 32 .....	4	4			
6	94001-08000-0S	NUT, hex., 8 mm .....	4	4			
7	94101-08000	WASHER, plain 8 mm .....	4	4			
8	94111-08000	WASHER, spring, 8 mm .....	4	4			
9	94201-30180	PIN, split, 3 × 18 .....	1	1			

FS-4 WHEEL SHAFT DRIVE CHAIN

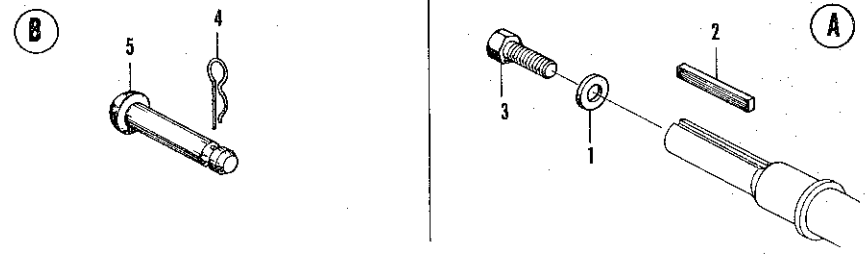


FS-4 WHEEL SHAFT DRIVE CHAIN

Ref. No.	Part No.	Description	Qty used		No. Used on		Remarks
			FS 28 D	FS 28 F	From	To	
1	23232-717-000	SPROCKET, final drive	1	1			
2	23370-717-000	SHAFT, wheel	1	1			
3	23651-717-000	CHAIN, final drive	1	1			
4	91202-717-000	COVER, water seal	2	2			
5	96130-62050	BEARING, ball radial, 6205ZZ	2	2			

16-78.

FSY-1 FS28 OPTIONAL PARTS



FSY-1 FS28 OPTIONAL PARTS

Ref. No.	Part No.	Description	Qty used		No. Used on		Remarks
			FS 28 D	FS 28 F	From	To	
A) KEY, 4 mm							
1	90471-704-010	WASHER, 8 mm	1	1			
2	90701-816-030	KEY, 4 mm	1	1			
3	92000-08020	BOLT, hex, 8 x 20	1	1			
B) PIN, WHEEL							
4	90651-703-000	PIN, snap, 7 dia	2	2			
5	90755-708-000	PINB, wheel	2	2			

**PART NO. INDEX**

Parr No	Page	Parr No	Page	Part No	Page
<b>17000</b>		<b>80000</b>			
17850-708-010	FS- 3	80301-717-810	FS- 5		
17910-717-000	FS- 3	80315-704-810	FS- 5		
17941-717-000	FS- 3				
<b>21000</b>		<b>87000</b>			
21100-717-000	FS- 5	87534-717-000	FS- 5		
21210-717-000	FS- 5				
21401-717-000	FS- 5				
21910-717-000	FS- 5				
<b>23000</b>		<b>90000</b>			
23232-717-000	FS- 9	90403-717-000	FS- 5		
23370-717-000	FS- 9	90405-717-000	FS- 5		
23651-717-000	FS- 9	90471-704-010	FS-11		
		90651-703-000	FS-11		
		90701-816-030	FS-11		
		90754-708-000	FS- 7		
		90755-708-000	FS-11		
<b>24000</b>		<b>91000</b>			
24101-717-000	FS- 5	91202-717-000	FS- 9		
24291-717-000	FS- 5	91203-717-000	FS- 5		
<b>50000</b>		<b>96000</b>			
50110-717-000F	FS- 3	96130-62050	FS- 9		
50115-717-000	FS- 3				
50201-717-000	FS- 3				
50610-717-000	FS- 5				
<b>51000</b>					
51510-708-010	FS- 7				
51520-717-000	FS- 7				
51521-715-000	FS- 7				
<b>53000</b>					
53100-717-000	FS- 3				
53321-708-000	FS- 3				
53631-717-000	FS- 3				

**PART NO. INDEX**



ALPHABETICAL INDEX

Description	Page	Description	Page
<b>B</b>		<b>S</b>	
BAR B, DRAG	FS- 5	SHAFT, NEUTRAL	FS- 5
BAR, DRAG	FS- 5	SHAFT, WHEEL	FS- 9
BEARING, BALL RADIAL, 6205ZZ	FS- 9	SPRING, LOCKING, STAND	FS- 7
BED, STAND	FS- 7	SPROCKET, FINAL DRIVE	FS- 9
BOLT, HANDLE ADJUST	FS- 3		
BOX, HITCH	FS- 5		
<b>C</b>		<b>W</b>	
CABLE, THROTTLE	FS- 3	WASHER SEAL, 25, 44, 11	FS- 5
CASE, CHAIN	FS- 5	WASHER, SPECIAL, 22MM	FS- 5
CHAIN, FINAL DRIVE	FS- 9	WASHER, 22MM	FS- 5
COLUMN, HANDLE (CRYSTAL BLUE METALIC)	FS- 3	WASHER, 8MM	FS-11
COVER, CHAIN CASE	FS- 5		
COVER, COLUMN	FS- 3		
COVER, WATER SEAL	FS- 9		
<b>E</b>			
END, THROTTLE WIRE	FS- 3		
<b>G</b>			
GRIP, HANDLE	FS- 3		
<b>H</b>			
HOLDER, CASE	FS- 5		
<b>K</b>			
KEY, 4MM	FS-11		
<b>L</b>			
LEVER ASSY., THROTTLE	FS- 3		
LEVER, NEUTRAL	FS- 5		
<b>M</b>			
MARK, NEUTRAL	FS- 5		
<b>P</b>			
PIN, CASE	FS- 5		
PIN, SNAP, 7 DIA	FS-11		
PIN, STAND	FS- 7		
PINB, WHEEL	FS-11		
PIPE, HANDLE	FS- 3		
PIPE, STAND	FS- 7		
PLATE, HANDLE SET	FS- 3		

ALPHABETICAL INDEX



# HONDA



# HONDA

HONDA MOTOR CO., LTD. TOKYO, JAPAN



# PARTS LIST

HONDA GENUINE PARTS