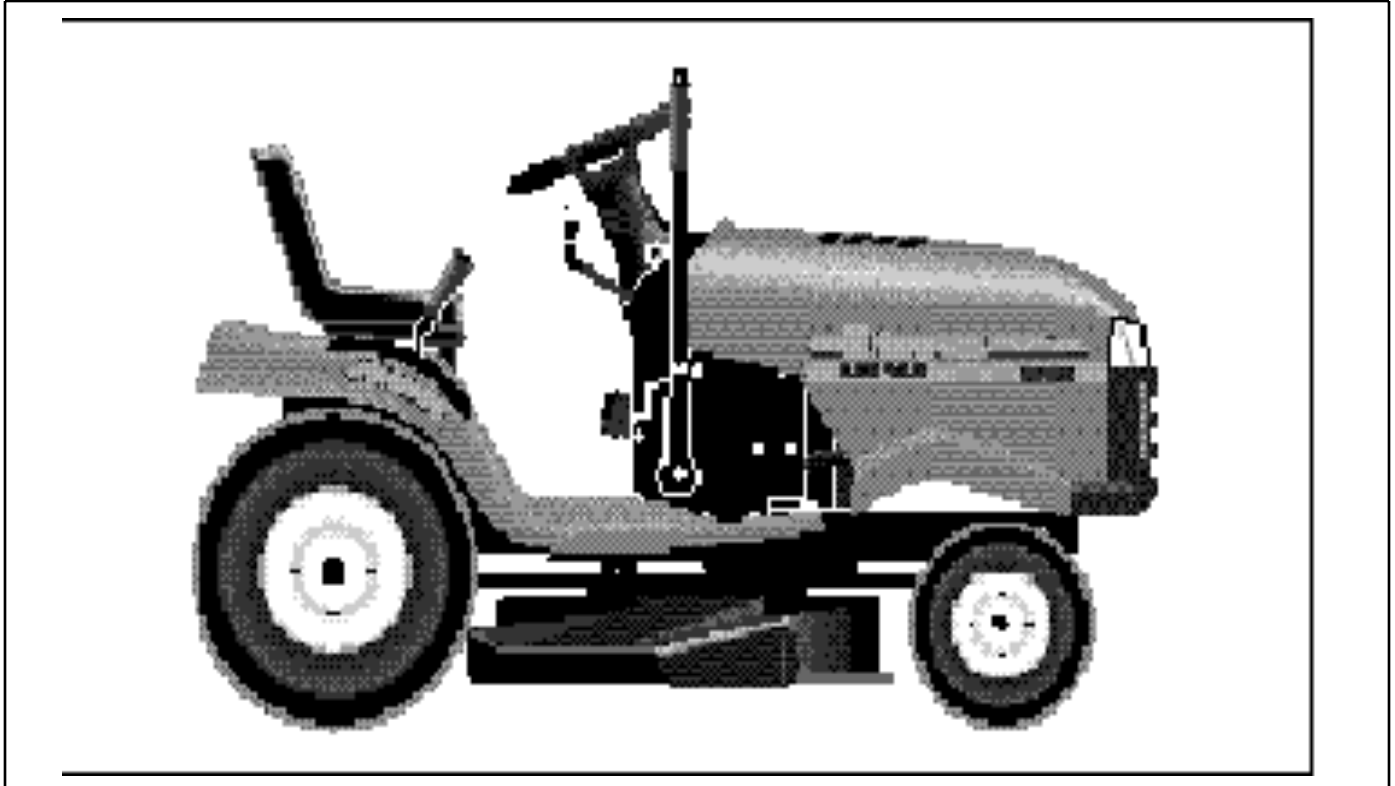


 **Husqvarna**



7

YTH 150



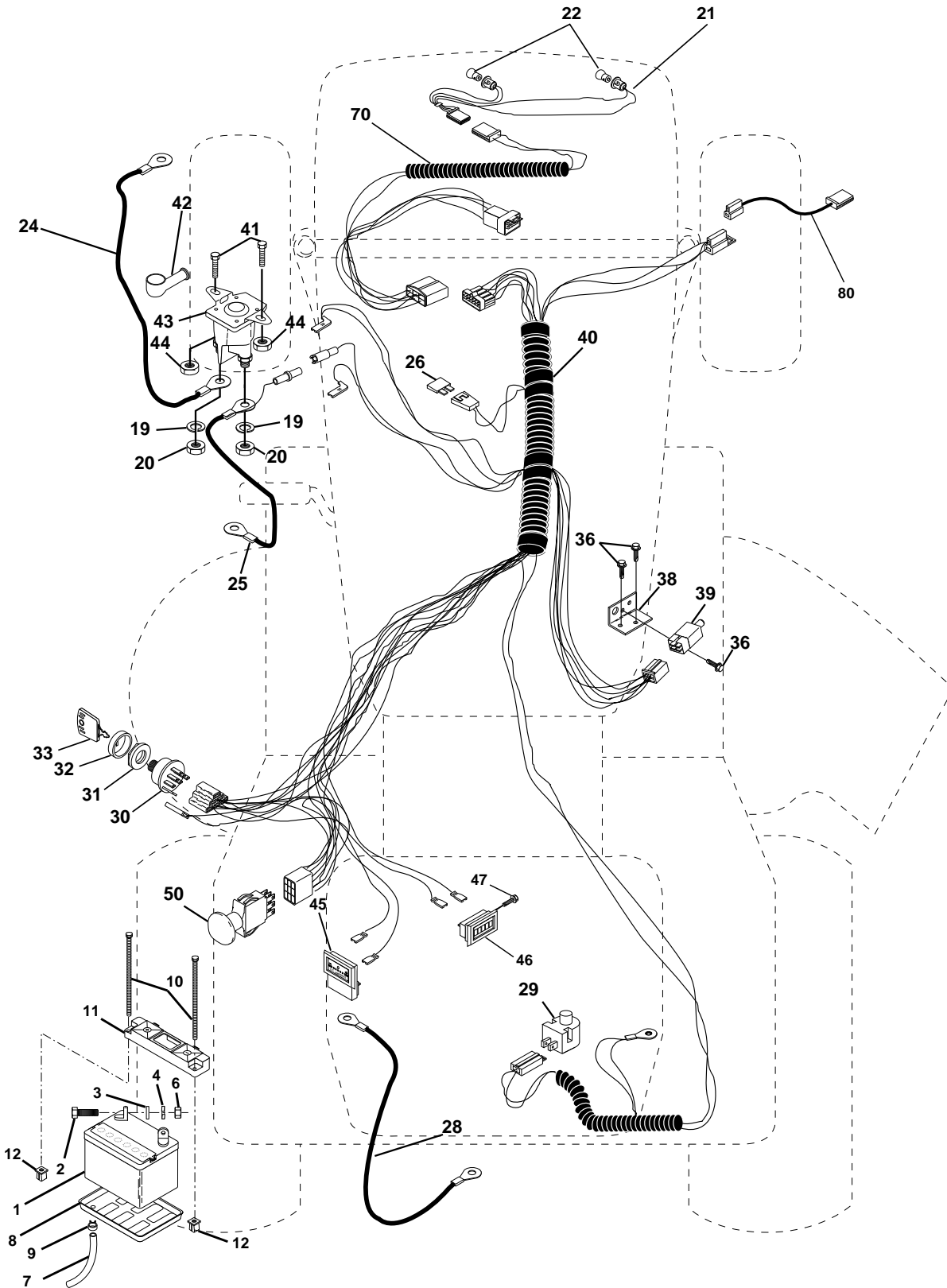
1995-10
PARTS LISTING

954830081A

REPAIR PARTS

TRACTOR - MODEL NUMBER YTH150 (954830081A)

ELECTRICAL



REPAIR PARTS

TRACTOR - MODEL NUMBER YTH150 (954830081A)

ELECTRICAL

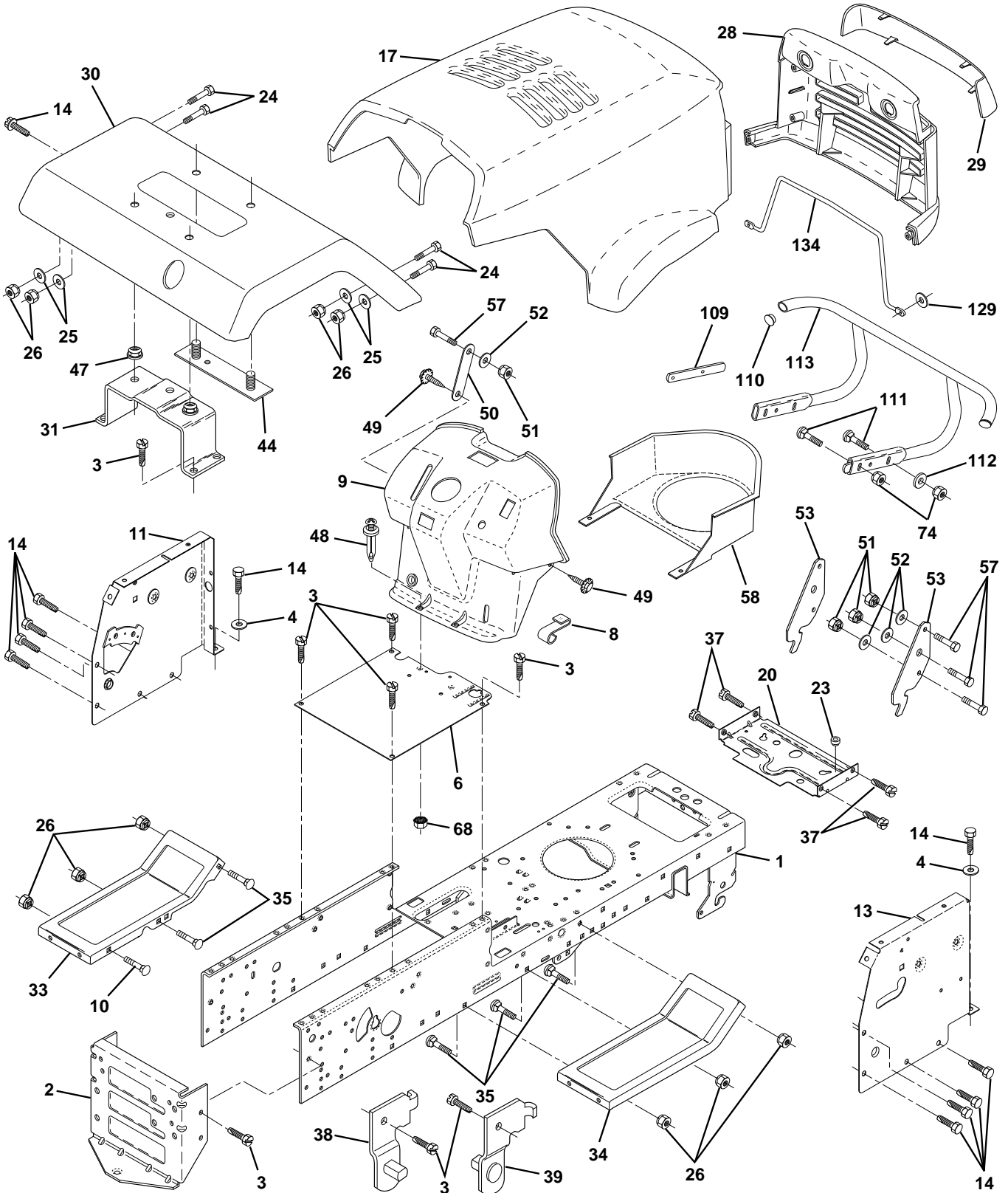
KEY NO.	PART NO.	DESCRIPTION
1	532144926	Battery 12 Volt 30 AMP
2	874760412	Bolt Hex Hd 1/4-20unc X 3/4
3	819091016	Washer 9/32 X 5/8 X 16 Ga.
4	810040400	Washer Lock Hvy Helical 1/4
6	873220400	Nut Fin Hex 1/4-20 Unc
7	532007697	Tube Plastic 46"
8	532124886	Tray, Battery 7.80 x 5.25 blk
9	532109596	Clamp Hose Olive
10	532145211	Bolt, Btr, Front, 1/4-20 x 7.5 Zinc
11	532145209	Holddown, Battery Dash Mount
12	532145769	Nut, Push, Nylon 1/4" Battery Frt
15	532147688	Fastener Snap-In
19	810090400	Washer Lock 1/4
20	873350400	Nut Jam Hex 1/4-20 Unc
21	532147430	Harness Asm Light W/4152j
22	532004152	Bulb Light #1156
24	532124780	Cable Battery 6 Ga 11" red
25	532146148	Cable 6 Ga. Red 22" w/16" Wire
26	532108824	Fuse 30 AMP Auto Green
28	532145491	Cable, Ground 21" Blk 6 Ga. 90T
29	532121305	Switch Plunger Nc Gray
30	532140301	Switch Ign 4 pos w/lights
31	532124211	Nut Ignition
32	532141226	Cover Sw Ignition
33	532122147	Key Ign Modledeed Generic
36	817021008	Screw Tap Hex #10-24unc X 1/2
38	532140336	Bracket, Switch, Interlock
39	532109553	Switch Intlk Clutch Red 4 Term
40	532151215	Harness Ign. Elec. HMLT P/L
41	871110408	Bolt Blk Fin Hex 1/4 - 20 x 1/2
42	532131563	Cover Terminal Red
43	532145673	Solenoid
44	873640400	Nut Keps Hex 1/4-20 Unc
45	532121433	Ammeter Rectangular 6 Amp
46	532110940	Meter Hour
47	817011008	Screw 10-24 x 1/2 Black
50	532140404	Switch PTO 3 PTD Black
70	532142291	Harness, Eng.
80	532146685	Harness Clutch EVX

NOTE: All component dimensions given in U.S. inches.
1 inch = 25.4 mm.

REPAIR PARTS

TRACTOR - MODEL NUMBER YTH150 (954830081A)

CHASSIS AND ENCLOSURES



REPAIR PARTS

TRACTOR - MODEL NUMBER YTH150 (954830081A)

CHASSIS AND ENCLOSURES

KEY NO.	PART NO.	DESCRIPTION
1	532145501	Chassis Weldment 11ga
2	532140356	Drawbar, Stretch
3	817490612	Screw Thdrol 3/8-16x3/4 Ty-tt
4	819131216	Washer 13/32 x 3/4 x 16 Ga.
6	532145206	Saddle LT Fender Shift
8	532126471	Clip Insulator .406 Mtg Hole
9	532151015	Dash P/L N/Amm. W/HM w/PTO Grey
10	872140608	Bolt Carriage 3/8-16 x 1
11	532146956	Panel Pnt Dash Lh
13	532146962	Panel Dash Rh
14	817490608	Screw Thdrol 3/8-16x1/2 Ty-tt
17	532149775	Hood LT/PL Husqvarna
20	532145210	Plate Mtg. Battery Fuel Tank. 95
23	532124028	Bushing
24	874780616	Bolt Fin Hex 3/8-16unc X 1 Gr. 5
25	819131312	Washer 13/32 X 13/16 X 12 Ga
26	873800600	Nut Lock Hex W/Ins 3/8-16 Unc
28	532149776	Grille LT/PL Husqvrna
29	532149777	Lens LT/PL Husqvrna
30	532141449	Fender Pnt
31	532137113	Bracket Pnt Fender
33	532147203	Footrest Pnt Lh
34	532147202	Footrest Pnt Rh
35	872110606	Bolt Rdhd Sht Sqnk 3/8-16 X3/4
37	817490508	Screw Thdrol 5/16-18 X1/2
38	532139886	Bracket, Asm. Pivot, L.H., Mower Rear
39	532139887	Bracket, Asm. Pivot, R.H., Mower Rear
44	532140675	Strap Asm., Fender 94
47	532105531	Nut, Push Nylon
48	532138096	Rivet Push Plate D Plastick Blk
49	817490412	Screw, Hexwsh. Thdrol 1/4-20 x 3/4
50	532142779	Brace
51	873800400	Nut Lock Hex W/Ins 1/4-20
52	819091416	Washer 9/32 x 7/8 x 16 Ga.
53	532150067	Bracket Pnt. Pick off LT/PL Husq.
57	874780412	Bolt Hex 1/4-20 x 3/4
58	532150127	Air Duct P/L
68	873510400	Nut Keps Hex 1/4-20
74	873680600	Nut Crownlock 3/8-16 UNC
109	532141461	Bracket Extension Bumper
110	532143679	Plug Plastic
111	872140610	Bolt Carriage 3/8-16 x 1-1/4
112	819131316	Washer 13/32 x 13/16 x 16 Ga.
113	532150300	Bumper Asm.129 819091016
		Washer 9/32 x 5/8 x 16 Ga.
134	532150132	Rod Support Hood LT/PL Husq.
--	532005479	Plug Button

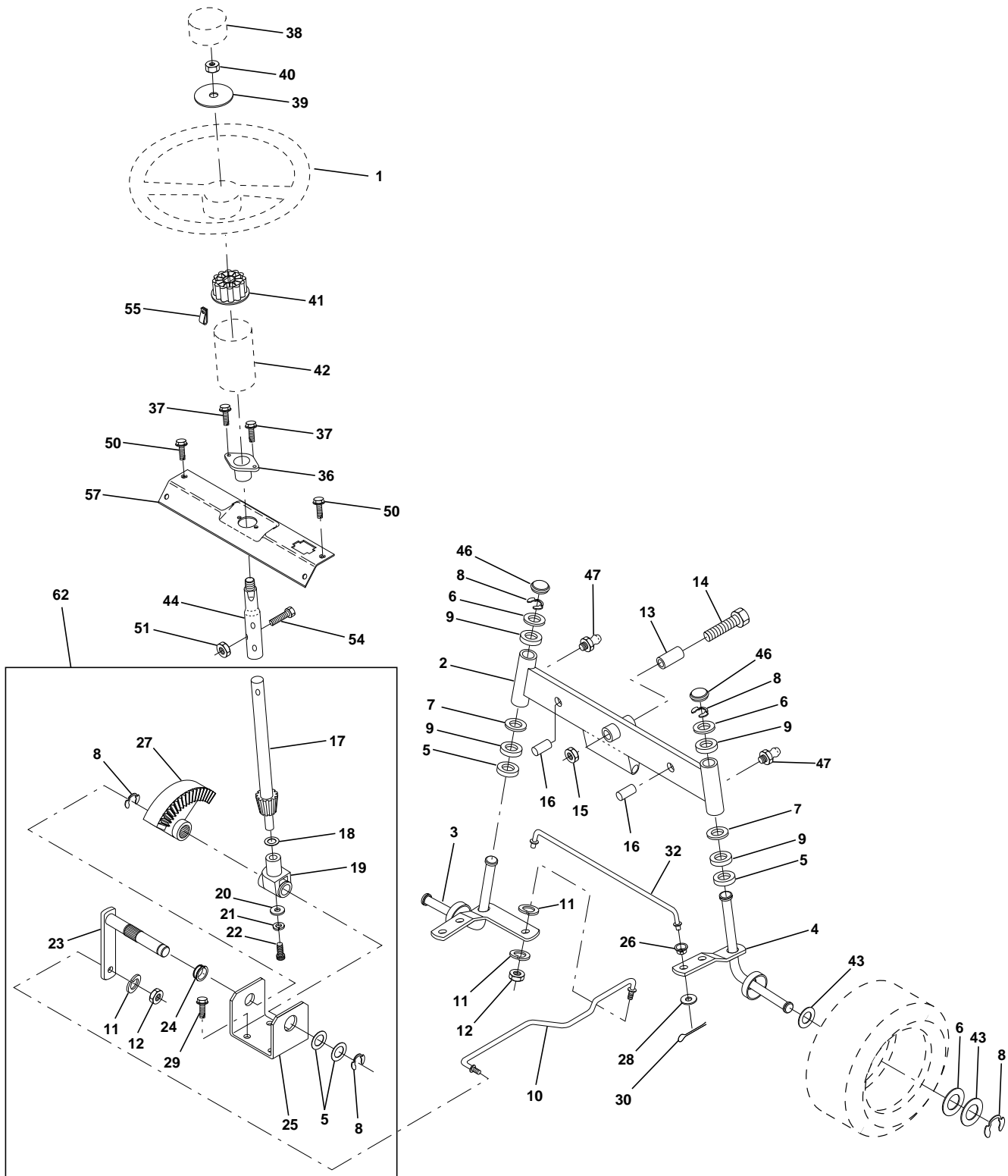
NOTE: All component dimensions given in U.S. inches.

1 inch = 25.4 mm

REPAIR PARTS

TRACTOR - MODEL NUMBER YTH150 (954830081A)

STEERING ASSEMBLY



REPAIR PARTS

TRACTOR - MODEL NUMBER YTH150 (954830081A)

STEERING ASSEMBLY

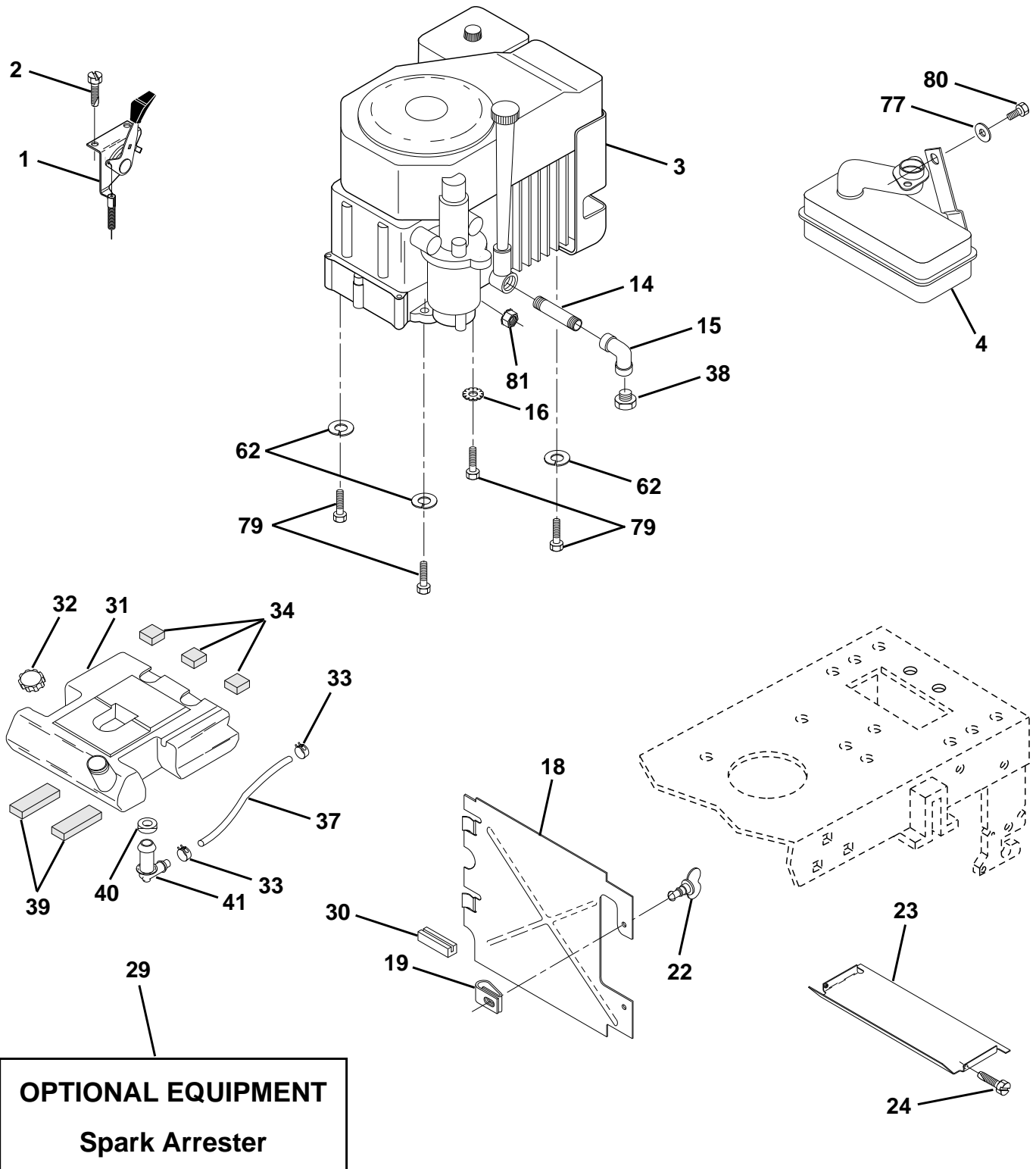
KEY NO.	PART NO.	DESCRIPTION
1	532124415	Wheel Steering Auto Grey
2	532142033	Axle Asm Fr LT W/gzks 38/42
3	532135227	Spindle Asm LH
4	532135228	Spindle Asm RH
5	532124931	Bearing Race Thrust Harden
6	532121748	Washer 25/32 X 1-5/8 X 16 Ga
7	819272016	Washer 27/32 X 1-1/4 X 16 Ga
8	812000029	Ring Klip #t5304-75
9	532124937	Bearing Col Strg Blk
10	532130468	Link Drag Sol Ball Jt 20 064
11	810040600	Washer Lock Hvy Hlcl Spr 3/8
12	873610600	Nut Fin Hex 3/8-24 Unf
13	532110438	Spacer Bearing Axle Front
14	874011056	Bolt Hex 5/8-11 Unc X 3-1/2
15	873901000	Nut Lock Flange 5/8-11 Unc
16	532132624	Pin Axle 5/8 X 1 55/1 54 Lg
17	532140176	Shaft Asm Strg Private Label
18	532057079	Washer Thrust 515x 750x 033
19	532124035	Support Shaft
20	532126684	Washer Shim 1/4 X 5/8 X 062
21	810040400	Washer Lock Hvy Helical 1/4
22	871070410	Screw Hex Socket 1/4-20 X 5/8
23	532127501	Shaft Asm Pittman
24	532109816	Nyliner Snap In
25	532124036	Bracket Steering
26	543126847	Bushing Link Drag Blk LR
27	532136874	Gear Sector
28	819131416	Washer 13/32 X 7/8 X 16 Ga
29	817490612	Screw Thdrol 3/8-16x3/4 Ty-tt
30	876020412	Pin Cotter 1/8 X 3/4 Cad
32	532130465	Rod Tie Wire Form 19 75 Mech
36	532102803	Bushing Strg
37	817431008	Screw Slftp #10-16 X 1/2 Ty-b
38	532124416	Insert Cap Strg Wh Au
39	819133808	Washer 13/32 X 2-3/8 X 8 Ga
40	532124701	Nut Lock Center 3/8-24unf
41	532104820	Adaptor Wheel Strg 640/ 635id
42	532150390	Boot Steering Shaft
43	532121749	Washer 25/32 X 1 1/4 X 16 Ga
44	532146690	Shaft Extention Steering
46	532121232	Cap Spindle Fr Top Blk
47	532124836	Fitting Grease
50	817490412	Screw Hex Wsh Thdrol 1/4-20 x 3/4
51	873800500	Nut Lock Hex w/Ins 5/16-18
54	874780520	Bolt Fin Hex 5/16-18 Unc x 1-1/4
55	532140285	Clip Tinnerman
57	532140172	Support Shaft Steering
62	532149686	Kit, Steering Assembly

NOTE: All component dimensions given in U.S. inches.
1 inch = 25.4 mm.

REPAIR PARTS

TRACTOR - MODEL NUMBER YTH150 (954830081A)

ENGINE



REPAIR PARTS

TRACTOR - MODEL NUMBER YTH150 (954830081A)

ENGINE

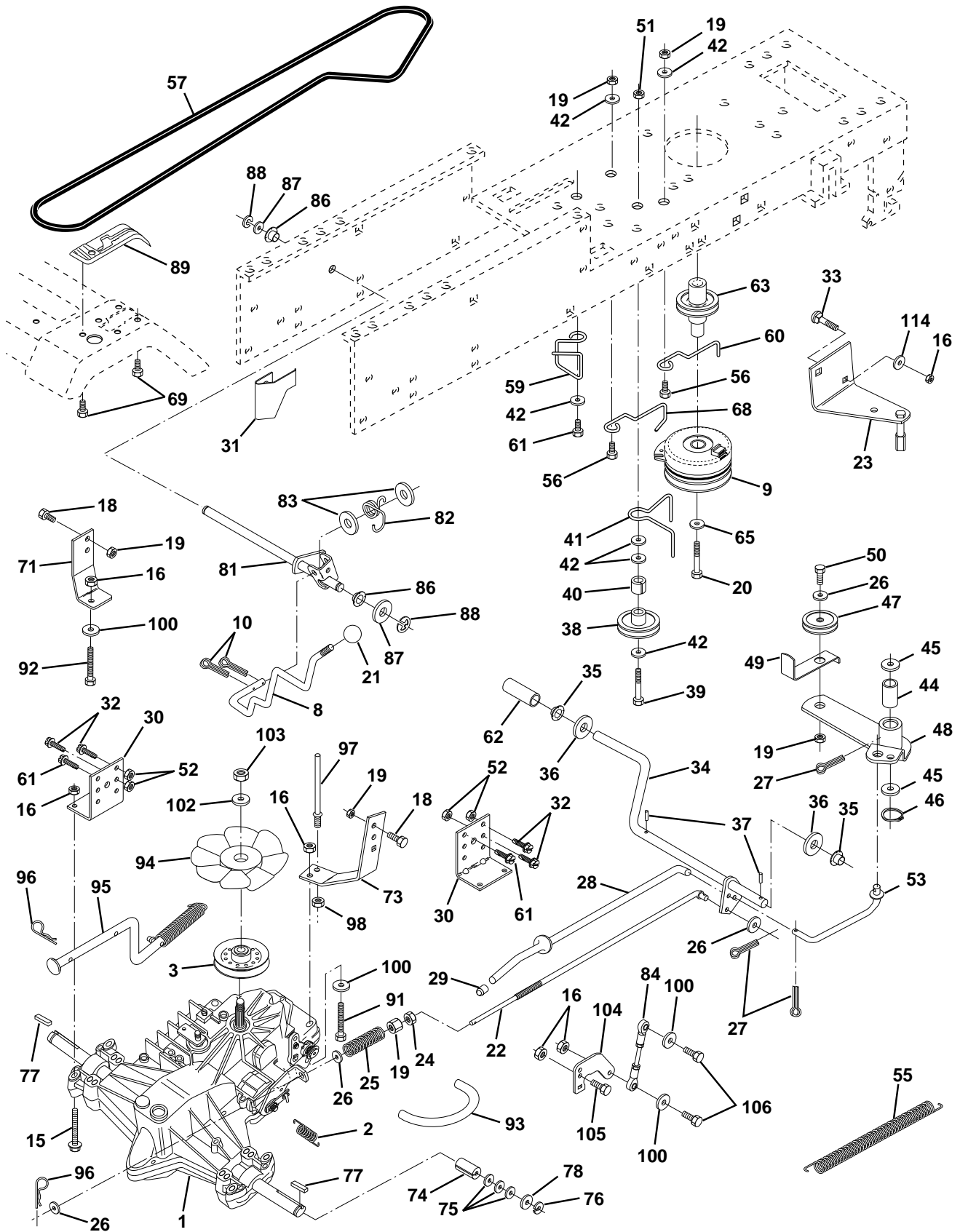
KEY NO.	PART NO.	DESCRIPTION
1	532141296	Control THTICH 27 LH FIAG DOM
2	817720410	Screw Hex Thd Cut 1/4-20x5/8 T
3	-----	Engine Kohler, Model Number CV15S 15 HP
4	532137350	Muffler LT Koh 12.5/15HD
14	813280328	Nipple Pipe 3/8 Npt X 3-1/2
15	813200300	Elbow Std 90 Degree 3/8-18 Npt
16	811050600	Washer Lock Ext Tooth 3/8
18	532136718	Shield Heat Lt
19	532105839	Receptacle 1/4 turn
20	532105838	Retainer 1/4 turn
21	819091016	Washer 9/32 x 5/8 x 16 Ga.
22	532123650	Stud 1/4 turn
23	532128953	Shield Heat Browning LT/YT
24	817021008	Screw Tap Hex #10-24unc X 1/2
29	532137180	Kit Spark Arrestor (Flat Scrn)
30	532127057	Pinch Weld Hood Black
31	532141069	Tank Fuel Rear 3.50 YT/GT
32	532140527	Cap Asm Fuel W/sym Vented
33	532123487	Clamp Hose Black
34	532106082	Pad, Spacer 1 x 1 x 1 Blk
37	532007833	Line Fuel 7.5"
38	-----	Plug Oil Drain (Order From Engine Manufacturer)
39	532109227	Pad, Idler 1.75 x .75 x .06
40	532124952	Bushing
41	532139277	Stem, Tank, Fuel
77	819101216	Washer 5/16 x 3/4 x 16 Ga.
79	817490620	Screw Thdrol 3/8-16x1-1/4 TYTT
80	874760508	Bolt Hex Hd 5/16-18 UNC x 1/2
81	532128861	Nut Flange 1/4-20 Starter Nut

NOTE: All component dimensions given in U.S. inches
1 inch = 25.4 mm

REPAIR PARTS

TRACTOR - MODEL NUMBER YTH150 (954830081A)

DRIVE



REPAIR PARTS

TRACTOR - MODEL NUMBER YTH150 (954830081A)

DRIVE

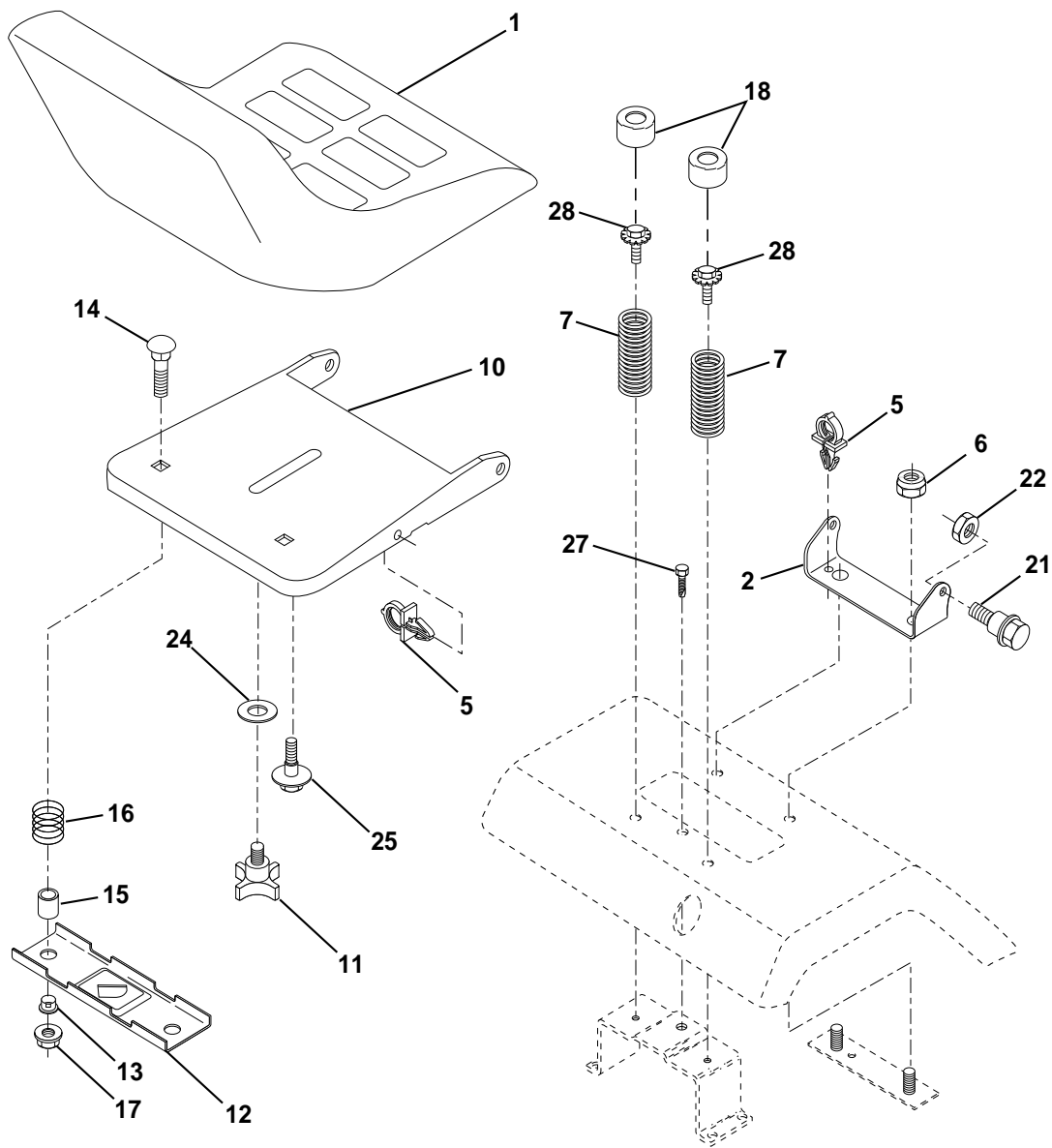
KEY PART NO.	NO.	DESCRIPTION	KEY PART NO.	NO.	DESCRIPTION
1	532150071	Transaxle Assembly, 310-0650	55	532105709	Spring, Return, Clutch
2	532142431	Spring, Return, Brake	56	874760620	Bolt Fin Hex 3/8-16 UNC x 1-1/4
3	532143995	Pulley, Transaxle	57	532140294	V-Belt, Ground Drive
8	532141002	Rod Shift Fender yT	59	532140312	Keeper, Center Span
9	532145028	Clutch, Elect. EVX LT Mag 5217-2	60	532105730	Keeper Belt Engine
10	876020416	Pin Cotter 1/8 x 1 CAD	61	817490612	Screw Thdrol. 3/8-16 x 3/4 Ty. TT
15	874490544	Bolt Hex Flghd 5/16-18 Gr. 5	62	532123533	Cover, Pedal
16	873800500	Nut Lock Hex W/Ins. 5/16-18 Unc P	63	532145868	Pulley, Clutch Electric EVX
18	874780616	Bolt Fin Hex 3/8-16 Unc x 1 Gr. 5	65	810040700	Washer
19	873800600	Nut Lock Hex W/Wsh 3/8-16 Unc	68	532121218	Keeper Belt Engine
20	871170768	Bolt Hex 7/16-20 x 4-1/4 Ga. 5	69	532142432	Screw
21	532140845	Knob, Deluxe	71	532140158	Strap Torque Lh Hydro
22	532145627	Rod, Brake Hydro	73	532140157	Strap Torque Rh Hydro
23	532140275	Bracket, Asm Clutch Mtg EVX	74	532121199	Spacer, Split
24	873350600	Nut	75	532121749	Washer 25/32 x 1-1/4 x 16 Gauge
25	532106888	Spring, Brake Rod	76	812000001	E-Ring
26	819131316	Washer	77	532123583	Key, Square
27	876020412	Pin Cotter 1/8 x 3/4 CAD.	78	532121748	Washer 25/32 x 1-5/8 x 16 Gauge
28	532145204	Rod, Parking Brake	81	532140154	Shaft Asm. Cross Hydro
29	532071673	Cap, Parking Brake	82	532123782	Spring Torsion T/A
30	532130807	Bracket, Transaxle	83	819171216	Washer 17/32 x 3/4 x 16 Ga.
31	532127275	Keeper Belt Lh	84	532140548	Rod, Tie Hydro
32	874760512	Bolt Hex Hd 5/16-18 Unc x 3/4	86	532071208	Bushing Rod Steering 629/632 ID
33	872140506	Bolt Rdhd Sqnk 5/16-18 UNC x 3/4	87	819212016	Washer 21/32 x 1-1/4 x 16 Ga.
34	532149001	Shaft, Foot Pedal	88	812000008	Ring Klip #5304-62
35	532120183	Bearing, Nylon	89	532139988	Console, Shift
36	819211616	Washer	91	874780536	Bolt Fin Hex 5/16-18 x 2-1/4
37	532124963	Pin, Roll	92	874780524	Bolt Fin Hex 5/6-18 Unc x 1-1/2
38	532123674	Pulley, Idler, Flat	93	532142564	Line Fuel Hydro 4"
39	874760644	Bolt	94	532140462	Fan, Hydro 7"
40	532124965	Spacer, Split	95	532144643	Control Asm Bypass Hydro
41	532109070	Keeper, Belt Retainer	96	532124788	Retainer Spring 1" Zinc/Cad
42	819131312	Washer 13/32 x 13/16 x 12 Gauge	97	532140469	Keeper Belt Rh Hydro
44	532105706	Bearing, Nylon	98	873510600	Nut Keps Hex 3/8-16 Unc
45	532110812	Washer, Hardened	100	819111216	Washer 11/32 x 3/4 x 16 Ga.
46	812000039	Ring, Klip	102	532141322	Washer, Bellville .50 ID x 1.50 D
47	532127783	Pulley, Idler, V-Groove	103	873940800	Nut Nylon Insert 1/2-20 Unf.
48	532123789	Bellcrank Assembly	104	532140156	Arm, Control Hydro
49	532123205	Retainer, Belt	105	871070516	Screw Cap Hex 5/16 x 18 x 1
50	874760624	Bolt	106	874780520	Bolt Fin Hex 5/16-18 Unc x 1-1/4
51	873680600	Nut	114	819111214	Washer 11/32 x 3/4 x 14 Ga.
52	873680500	Nut Crownlock 5/16-18			
53	532105710	Link, Clutch			

NOTE: All component dimensions give in U.S. inches.
 1 inch = 25.4 mm.

REPAIR PARTS

TRACTOR - MODEL NUMBER YTH150 (954830081A)

SEAT ASSEMBLY



KEY PART NO. NO.

DESCRIPTION

1	532140839	Seat
2	532140551	Bracket Pivot Seat 8 720
5	532145006	Clip Push-In
7	532124181	Spring Seat Cprsn 2 250 Blk Zi
8	817490508	Screw Thdrol 5/16-18 X 1/2 TYT
9	819131614	Washer 13/32 X 1 X 14 Ga.
10	532140552	Pan Seat
11	532120068	Knob seat 1/2-13 Unc
12	532121246	Bracket Mounting Switch
13	532121248	Bushing Snap Blk Nyl 50 Id
14	872050411	Bolt Rdhd Sht Nk 1/4-20x1-3/8
15	532134300	Spacer Split 28x 96 Yel Zinc

KEY PART NO. NO.

DESCRIPTION

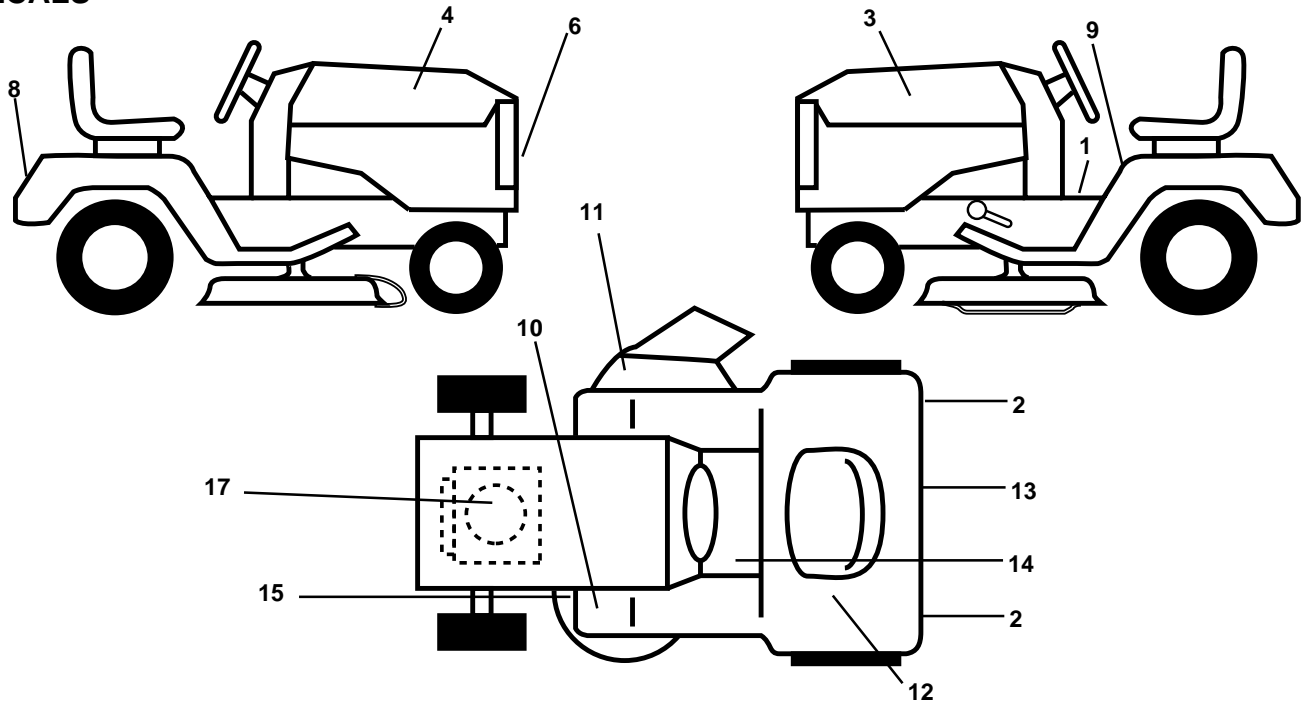
16	532121250	Spring Cprsn 1 27 Blk Pnt
17	532123976	Nut Lock 1/4 Lge Flg Gr 5 Zinc
18	532124238	Cap Spring Seat
21	532139888	Bolt Shoulder 5/16-18 Unc Blkz
22	873800500	Nut Hex Lock W/Ins 5/16-18
24	819171912	Washer 17/32 X 1-3/16 X 12 Ga.
25	532127018	Bolt Shoulder 5/16-18 X 62
27	817490608	Screw, Thdrol. 3/8-16 x 12 TY-TT
28	873800600	Nut, Lock Hex w/Ins. 3/8-15 UNC

NOTE: All component dimensions given in U.S. inches.
 1 inch = 25.4 mm

REPAIR PARTS

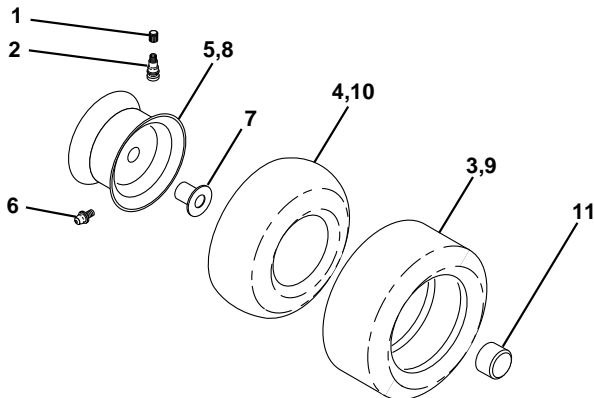
TRACTOR - MODEL NUMBER YTH150 (954830081A)

DECALS



KEY NO.	PART NO.	DESCRIPTION	KEY NO.	PART NO.	DESCRIPTION
1	532140820	Decal Instruction Dash Eng/fr	--	532138311	Decal Handle Lft Height Adjust
2	532106230	Reflector Taillight Red/Ambus	--	532145246	Pad FTREST RBR SQ Generic 95
3	532150729	Decal Hood LH	--	532145247	Fastener Pop In Footrest (8per)
4	532150725	Decal Hood RH	--	532150752	Manual Owner's (English)
6	532150616	Decal Grille	--	532150753	Manual Owner's (French)
8	532150617	Decal Fender Logo	Available accessories not included with tractor:		
9	532133795	Decal Caution Fender Eng/fr	--	LBD48	42" Snow Blade
10	532101892	Decal Clutch/brake Eng/fr	--	LSB42	40" Snow Thrower
11	532137259	Decal Warning Multi-Language	--	LC05	33lb. Wheel Wts. (Pair)
12	532145005	Decal Bat Dan/Poi P/L Sym WPN	--	MK42	Mulch Kit
13	532142341	Decal Drawbar CNTRL MVT HYD LT	--	C42	Grass Catcher
14	532142337	Decal SDL COLD START HYD E/F	--	MK42	Mulcher Plate Kit
15	532136832	Decal V-Belt Schematic	--	LC06	Tire Chains
17	532151244	Decal Engine Kohler 15 HP			

WHEELS & TIRES



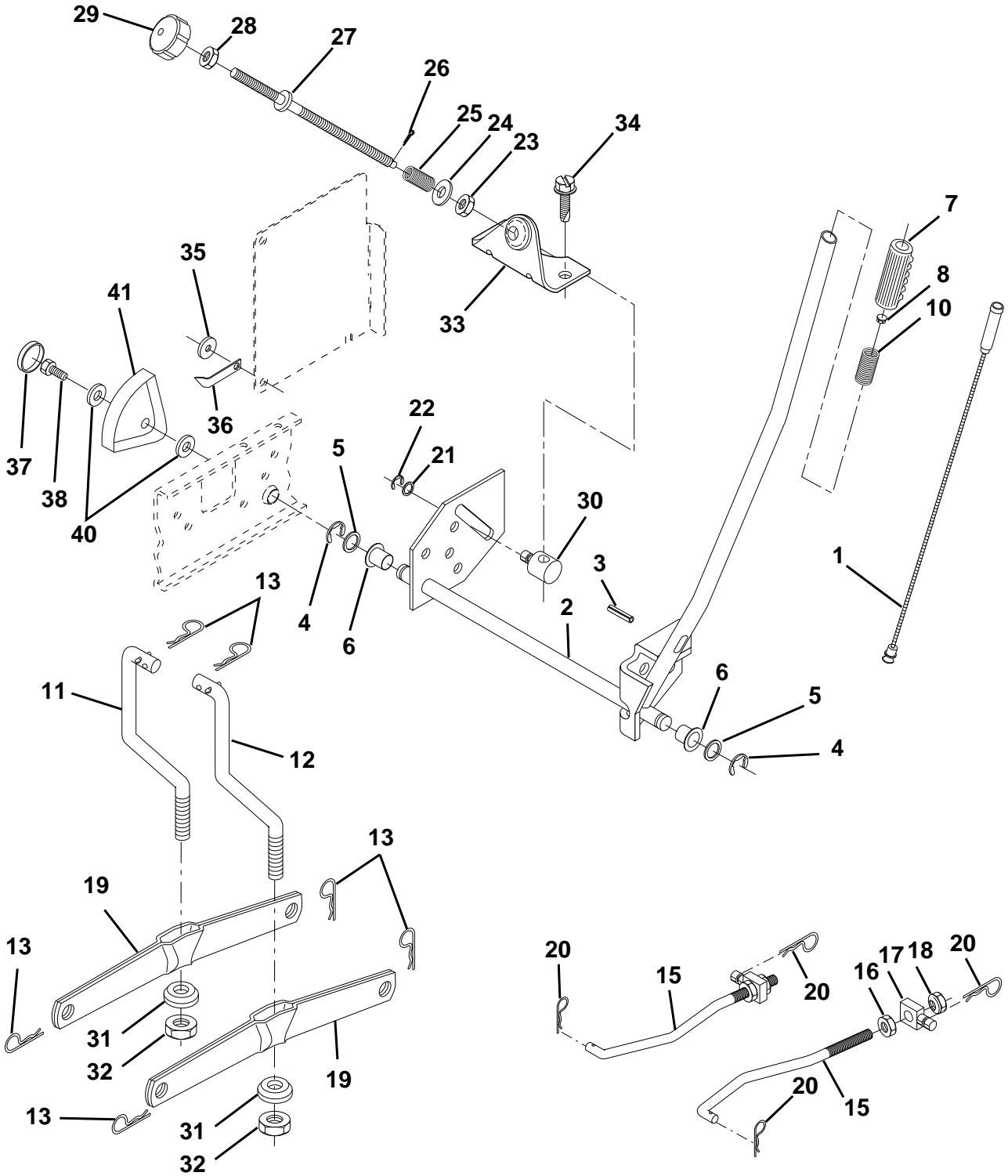
KEY NO.	PART NO.	DESCRIPTION
1	532059192	Cap Valve Tire
2	532065139	Stem Valve
3	532106222	Tire F Ts 15 X 6 0 - 6 Service
4	532059904	Tube Front (Service Item Only)
5	532138336	Rim Asm 6" front Silver Service
6	532124957	Fitting Grease (Front Wheel Only)
7	532124959	Bearing Flange (Front Wheel Only)
8	532138337	Rim Asm 8" rear Silver Service
9	532122082	Tire R Ts 20x10-8 C Service
10	532124926	Tube Rear (Service Item Only)
11	532104757	Cap Axle Blk 1 50 X 1 00
--	532144334	Sealant, Tire (10 oz. Tube)

NOTE: All component dimensions given in U.S. inches
 1 inch = 25.4 mm

REPAIR PARTS

TRACTOR - MODEL NUMBER YTH150 (954830081A)

MOWER LIFT



REPAIR PARTS

TRACTOR - MODEL NUMBER YTH150 (954830081A)

MOWER LIFT

KEY NO.	PART NO.	DESCRIPTION
1	532136973	Wire Asm Inner W/plunger 17.32
2	532145117	Shaft Asm Lift RH w/Inf
3	532105767	Pin Groove 1 500 Zinc
4	812000002	E Ring #5133-62
5	819211621	Washer 21/32 X 1 X 21 Ga
6	532120183	Bearing Nylon Blk 629 Id
7	532125631	Grip Handle Fluted Blk
8	532124526	Button Plunger Black
10	532122512	Spring Cprsn 3 750 Oiled
11	532139865	Link Lift LH
12	532139866	Link Lift RH
13	532124670	Retainer Spring
15	532127218	Link Front
16	873350800	Nut Jam Hex 1/2-13 Unc
17	532130171	Trunnion Blk Zinc
18	873800800	Nut Lock W/wsh 1/2-13unc
19	532139868	Arm Suspension Rear
20	532124660	Retainer Spring
21	819151216	Washer 15/32 X 3/4 X 16 Ga
22	812000037	Ring Klip #t5304-37
23	532110807	Nut Special
24	819131016	Washer 13/32 X 5/8 X 16 Ga
25	532124874	Spring Compression Inf. Hgt.
26	876020308	Pin Cotter 3/32 X 1/2
27	532126971	Rod Adj Lift Zinc 7.49 Wrk Lg
28	873350600	Nut Hex Jam 3/8-16 Unc
29	532138057	Knob Inf 3/8-16 Unc Blk W/sym
30	532110810	Trunnion Dp Stop Dbl Thds PLT
31	532140302	Bearing Pvt Lift Spherical
32	873540600	Nut Crownlock 3/8-24
33	532140168	Bracket, Stop Inf. Hgt.
34	817490608	Screw, Thdrol 3/8-16 x 1/2 Ty-TT
35	532120529	Washer Nylon .44 x .75 x .032
36	532138346	Pointer Height Indicator
37	532123935	Plug Hole Blk 1.485/1.515
38	817490512	Screw Thdrol 5/16-18 x 3/4 TYT
40	819112410	Washer 11/32 x 1-1/2 x 10 Ga.
41	532123934	Scale Ind. Height Blk

NOTE: All component dimensions given in U.S. inches
1 inch = 25.4 mm

REPAIR PARTS

TRACTOR - MODEL NUMBER YTH150 (954830081A)

MOWER DECK

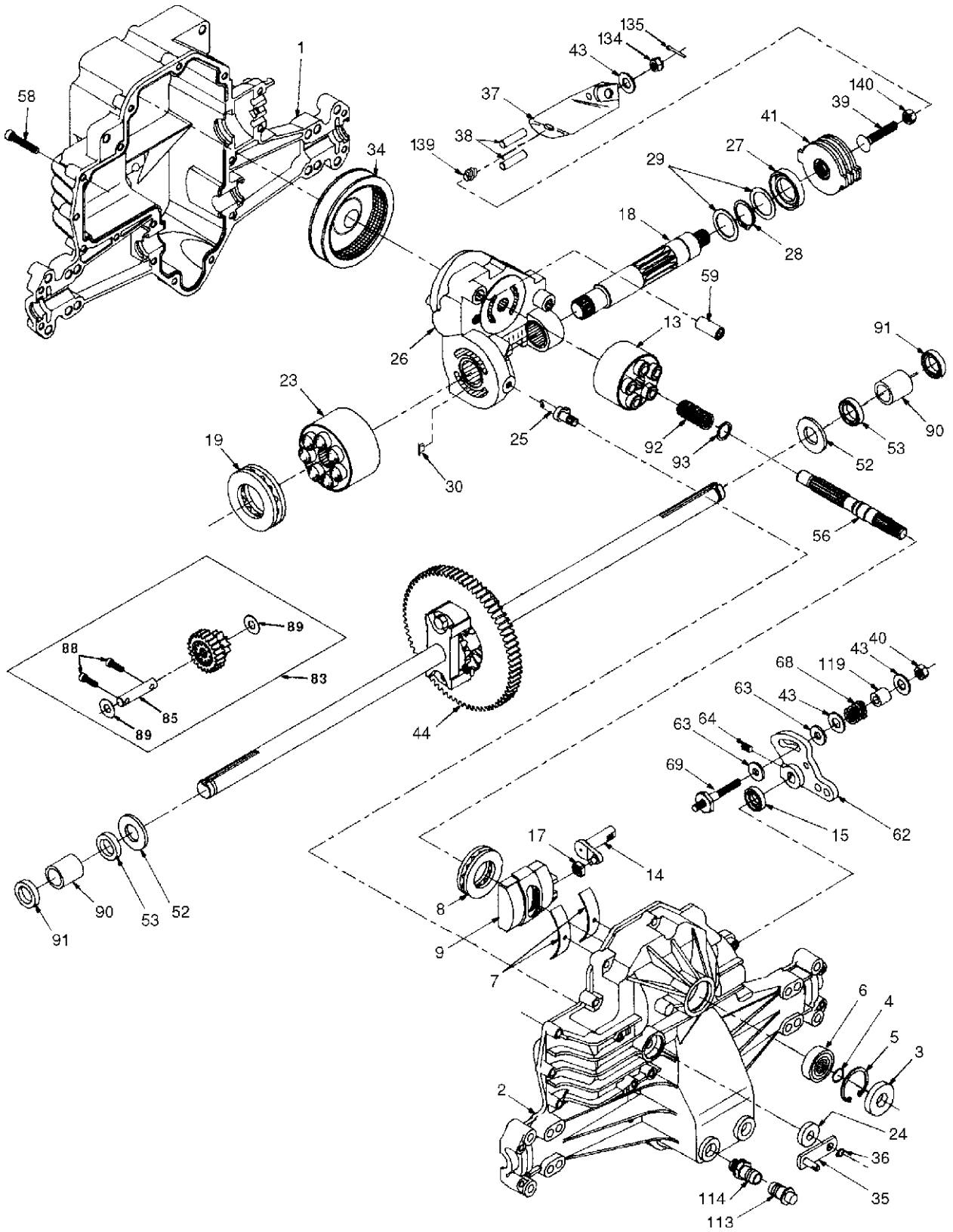
KEY NO.	PART NO.	DESCRIPTION	KEY NO.	PART NO.	DESCRIPTION
1	532144393	Housing Asm Mower 42"94 T-Path	54	532133943	Washer Hardened
2	872140506	Bolt Rdhd Sqnk 5/16-18unc X3/4	55	532140084	Arm Idler 42" mower LT/YT
3	532138017	Bracket Asm Fr Sway Bar 38/42	56	532122052	Spacer Retainer Pm Mower
4	532138440	Bracket Asm Deck 42"sway Bar	59	532141043	Guard, Belt
5	532124670	Retainer Spring	61	532131950	Spring Ext. Elect
6	532130832	Arm Suspension Rear	68	532144200	V-Belt Mower
8	532850857	Bolt 3/8-24x1 25 Gr8 Patched	83	532120958	Washer Sintered
9	810030600	Washer Lock Hvy 3/8 Unplated	84	532144394	Keeper 'Belt Idler Fixed
10	532140296	Washer Hard Blade Mower Vented	85	872140618	Bolt Carriage 3/8-16 x 2-1/4 Gr.5
11	532134149	Blade Mower Mulching 42"	90	874760616	Bolt Fin Hex 3/8-16unc X 1
12	532129895	Bearing Ball #6204 (Mandrel)	91	532132274	Bracket Asm Noseroller LH
13	532137645	Shaft Asm W/lower Bearing	92	873800600	Nut Lock Hex w/ins. 3/8-16 UNC
14	532128774	Housing Mandrel Vented(machd)	93	819171416	Washer 17/32 X 7/8 X 16 Ga
15	532110485	Bearing Ball Mandrel	94	532132264	Roller Nose 38 & 42
16	532140329	Stripper Round Mower	95	532132273	Bracket Asm Noseroller RH
17	872110618	Bolt Rdhd Sqnk 3/8-16 X 2-1/4	101	532136420	Cover Mulching 42" Blk
18	872140505	Bolt Carr 5/16-18 X 5/8	102	871161010	Screw
19	532132827	Bolt Shoulder	103	819061216	Washer Lock #10
20	532136888	Baffle Vortex 42	104	810071000	Washer #10
21	873680500	Nut Crown Lock 5/16-18	105	532130758	Latch Asm Bagger
22	532134753	Stiffener Bracket 42"deck	106	532125004	Nut Weld .327/.304 #10-24
23	532131267	Bracket Deflector Mower 42"	111	532140353	Bracket Wheel Gauge Lh 42" Deck
24	532105304	Cap Sleeve 80x 112 Blk Mower	112	532132262	Bracket Gauge Wheel Rh 42" Deck
25	532123713	Spring Torsion Deflector 2 52	113	817490512	Screw Thdrol 5/16-18 x 3/4 TYT
26	532110452	Nut Push Phos & Oil	114	873510500	Nut Keps 5/16 - 18 UNC
27	532130968	Shield Deflector Mower 42" Blk	115	872110504	Bolt Carriage 5/16 - Unc x 1/2
28	819111016	Washer 11/32 X 5/8 X 16 Ga	116	532137644	Bolt Shld
29	532131491	Rod Hinge 42" 6 75 Wlg	117	532133957	Wheel Gauge Donut
30	532138776	Screw Thdrol Hex Hd Zinc Mwr.	118	873930600	Nut Centerlock 3/8 - 16 UNC
31	532129963	Washer Spacer Mower Vented	119	819121414	Washer 3/8 x 7/8 x 14 Ga.
32	532129861	Pulley Mandrel 42"	121	532143723	Bracket
33	532137266	Nut 9/16top Lock Fling Cntr	125	876020816	Cotter Pin
34	872110622	Bolt RDHD 3/8-16 UNC x 2-3/4 Gr.5	--	532145452	Deck Serv 42" Elec Vent (Standard Deck - Order Nose Roller, Gauge Wheel and Mulcher Plate components separately Key Nos. 90-95, 101-106 and 111-121)
35	532133835	Fastner Christmas Tree	--	532130794	Mandrel Assembly (Includes Key Numbers 8-10, 12-15, 31 and 33)
36	532131494	Pulley Idler Flat 3 060			
37	819131316	Washer 13/32 X 13/16 X 16 Ga			
38	532132823	Spacer Spring Stop Idler			
40	873680600	Nut Lock 3/8-16 Unc			
44	532140088	Guard Mandrel LH Black			
46	532137729	Screw Thdrol 1/4-20x5/8			

NOTE: All component dimensions given in U.S. inches.
 1 inch = 25.4 mm.

REPAIR PARTS

TRACTOR - MODEL NUMBER YTH150 (954830081A)

HYDRO TRANSAXLE - MODEL NUMBER 0310-0650



REPAIR PARTS

TRACTOR - MODEL NUMBER YTH150 (954830081A)

HYDRO TRANSAXLE - MODEL NUMBER 0310-0650

KEY PART NO.	NO.	DESCRIPTION	KEY PART NO.	NO.	DESCRIPTION
1	532142930	Housing, Lower	43	532142884	Washer 7/16 x 7/8 x .060
2	532142931	Assembly, Upper Housing	44	532150829	Differential Assembly
3	532142932	Seal, Lip	52	532142991	Washer 3/4 x 1.5 x .13
4	532142928	Ring, Wire Retaining	53	532142961	Seal .75 x 1.25 x .250
5	532142933	Ring, Retaining	56	532142963	Shaft, Input
6	532142934	Bearing, Shaft Ball	58	532142964	Bolt 1/4-20 x 1.38
7	532142935	Bearing, Cradle	59	532142965	Pin .5 OD x .43 ID x .750
8	532150771	Bearing, Thrust 30 x 52 x 13	62	532142966	Arm, Control
9	532142937	Swashplate, Variable	63	532142967	Puck, Dampener
13	532142938	Block, Cylinder Assembly	64	532142920	Set Screw
14	532142939	Arm, Trunnion	68	532142969	Spring
15	532142940	Seal, Lip	69	532144610	Stud 5/16-24
17	532142941	Guide, Slot	83	532142971	Jackshaft Assembly
18	532150772	Shaft, Motor	85	532150806	Jackshaft
19	532150773	Bearing, Thrust 42 x 68 x 16	88	532142973	Screw, Cap
23	532142944	Block, Cylinder Assembly	89	532142974	Washer 7/16 x 1 x 1/2
24	532142945	Seal, Lip 10 x 25 x 7	90	532142975	Sleeve Bearing
25	532142946	Actuator, Bypass	91	532142976	Seal, Wiper
26	532150774	Center Section Assembly Kit	92	532142977	Spring, Block
27	532142948	Seal, Lip 26 x 42 x 8	93	532142978	Washer, Block Thrust
28	532142949	Ring, Retaining	113	532142917	Cap, Vent Assembly
29	532142950	Washer 26 x 35 x 1	114	532142918	Fitting, O-Ring Assembly
34	532142951	Oil Filter Element	119	532142980	Spacer
35	532142952	Arm, Bypass	134	532144607	Nut, Castle 5/16-24
36	532142953	Ring, Retaining	135	532144608	Pin, Cotter
37	532142954	Arm, Actuating	139	532150775	Spring, Compression
38	532142955	Pin, Actuating	140	532150776	Nut, Hex 5/16-24
39	532150777	Bolt 5/16-24 x 1-3/4			
40	532150778	Locknut, Hex 5/16-24 UNJC			
41	532142958	Brake Rotor/Stator Kit			

NOTE: All component dimensions given in U.S. inches
 1 inch = 25.4 mm