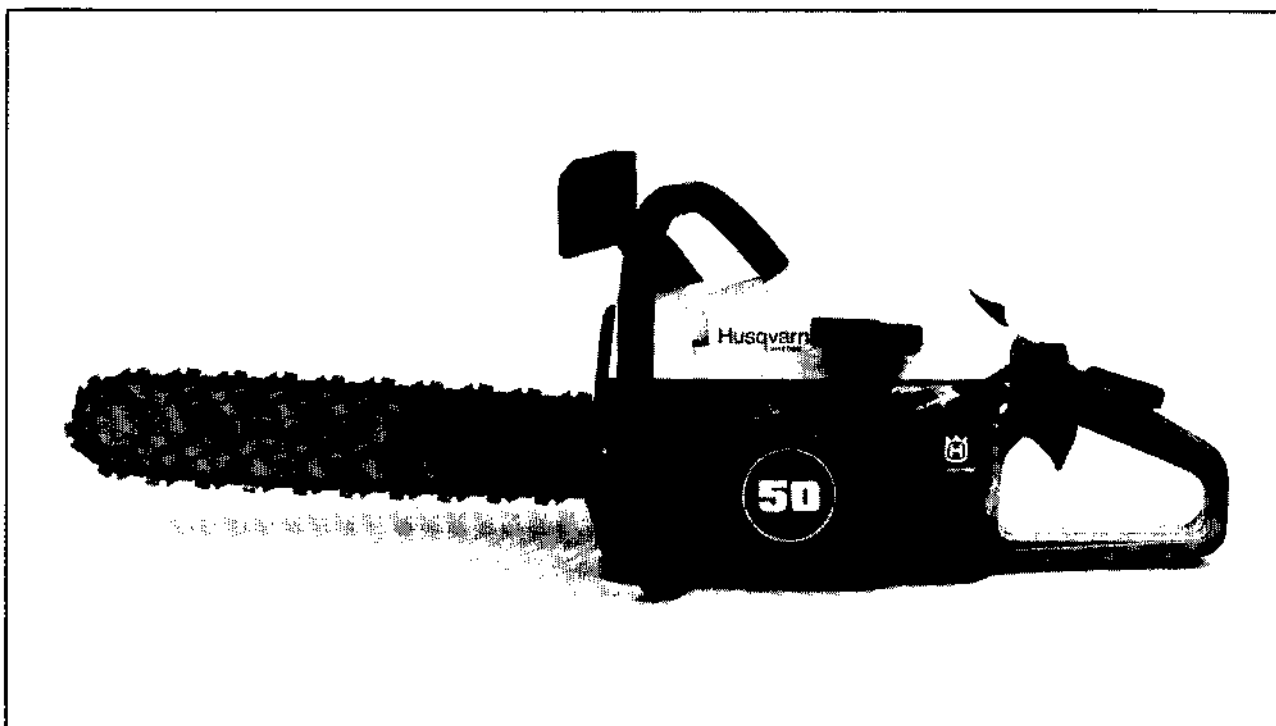


# 50 RANCHER



**1. 1983**

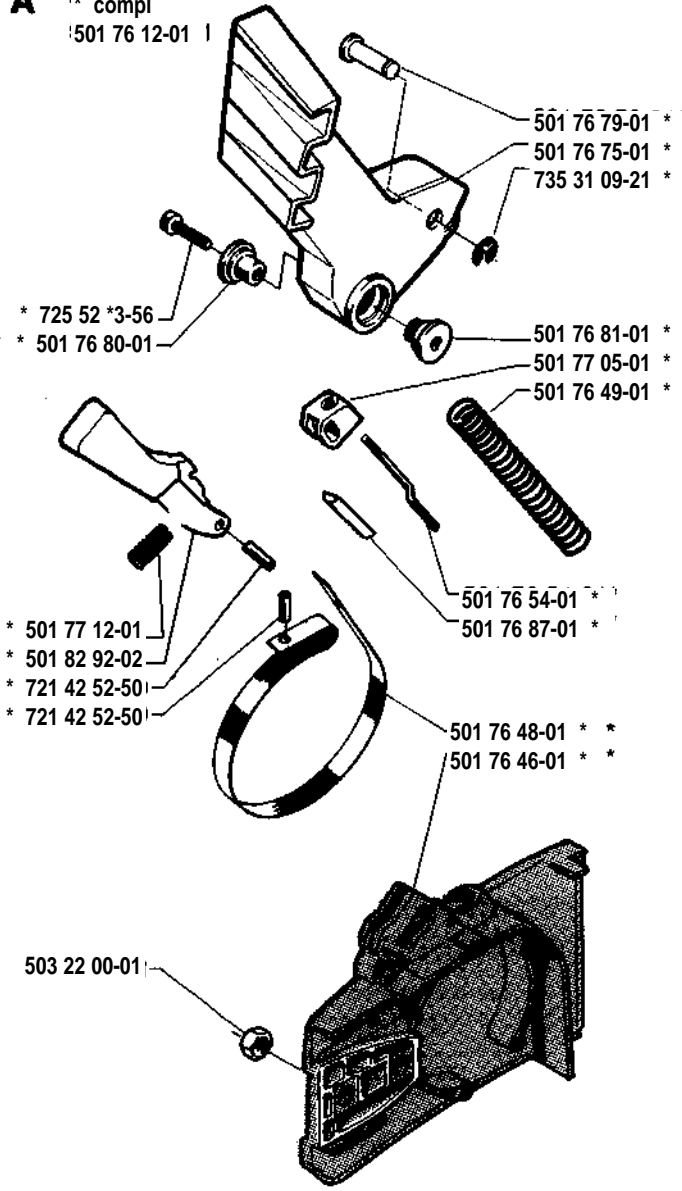
**Reservdelar**

**Spare parts**

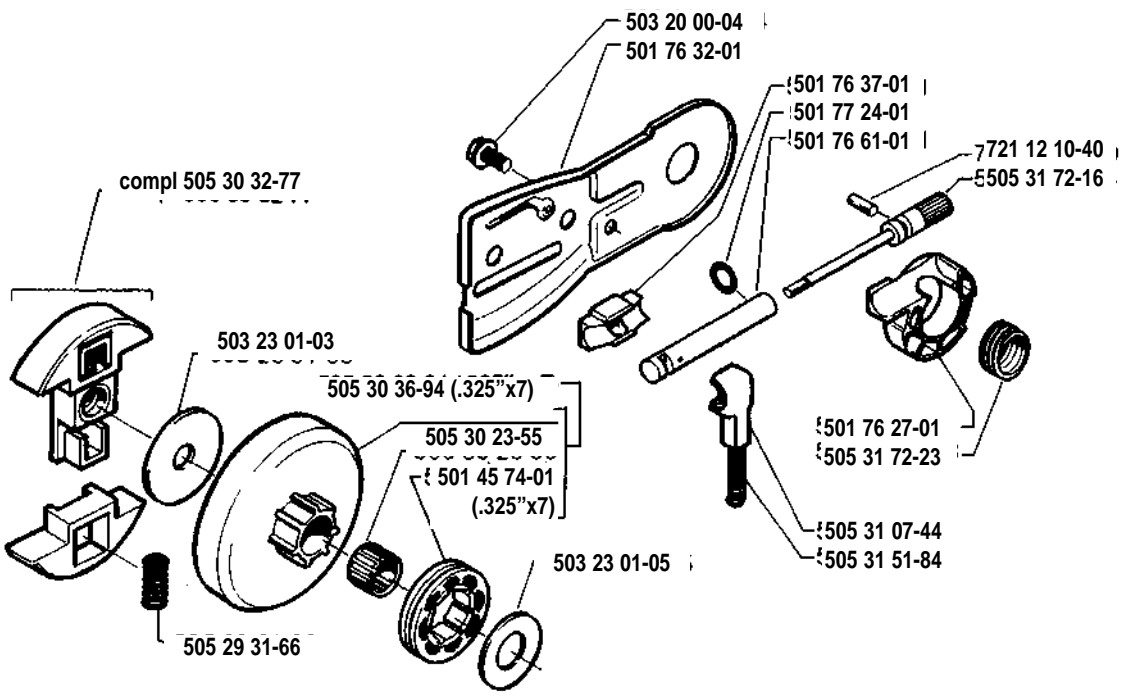
**Ersatzteile**

**Pièces de rechange**

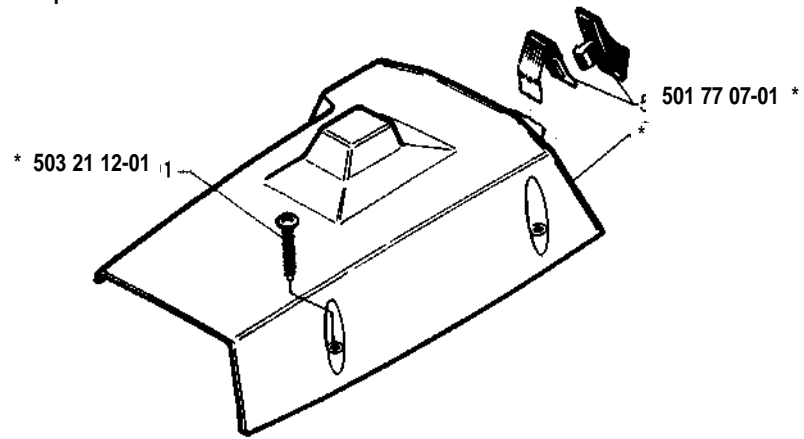
**A** \* compl  
501 76 12-01 |



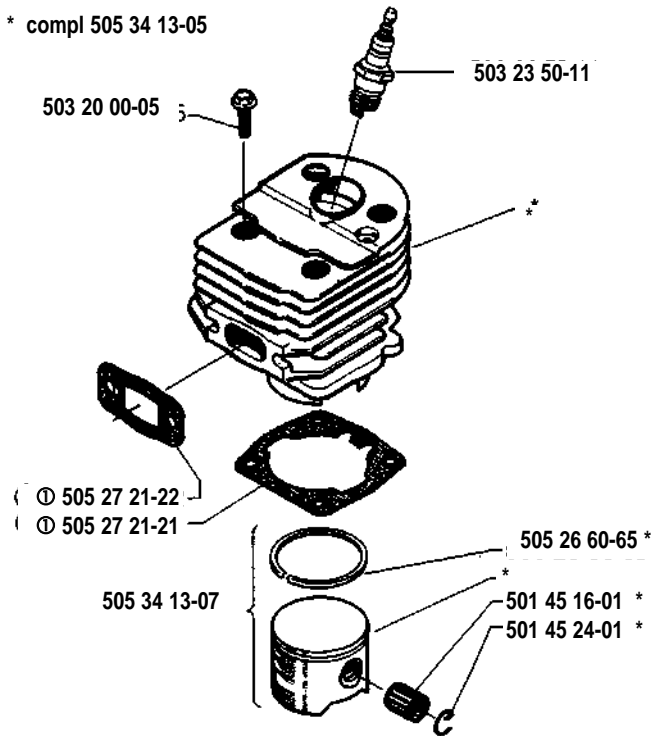
**H**



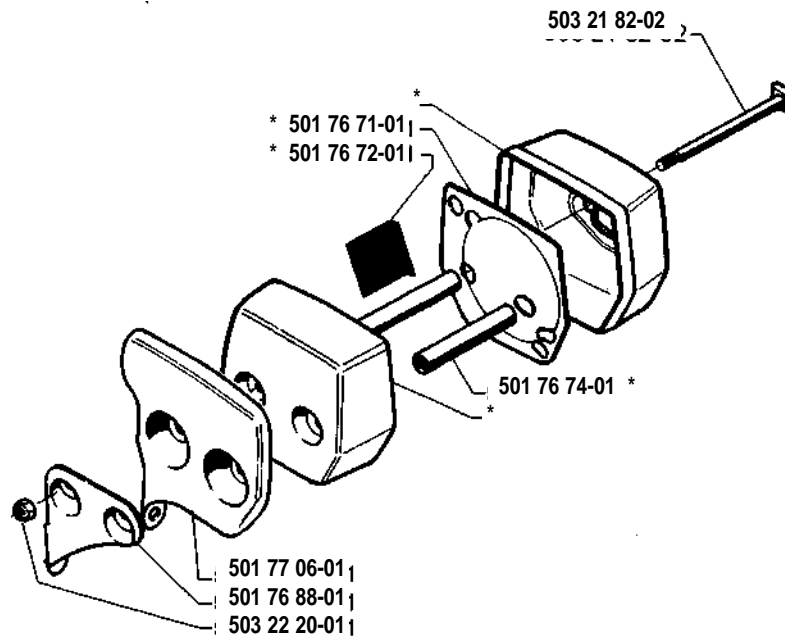
**B** \* compl 501 76 05-01



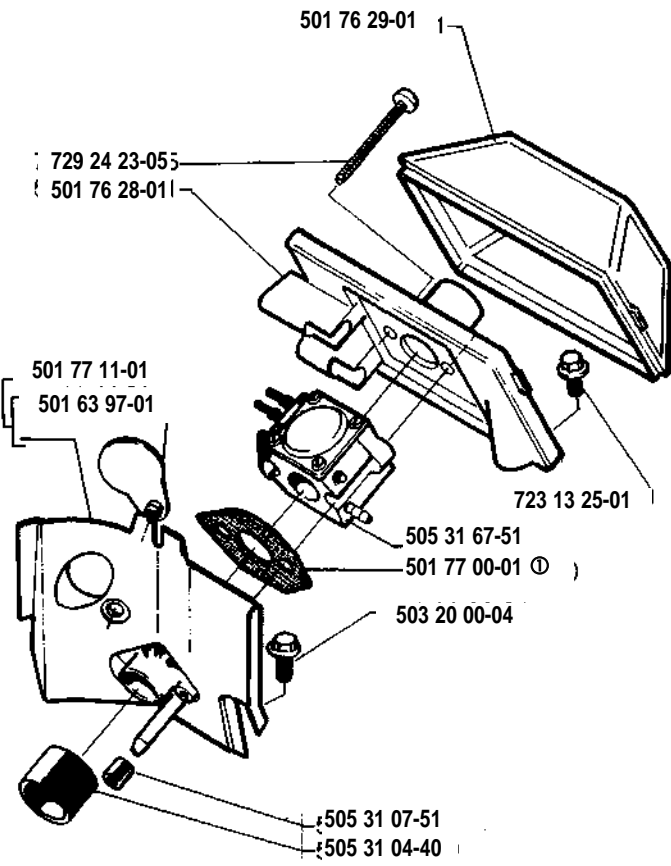
**C** \* compl 505 34 13-05



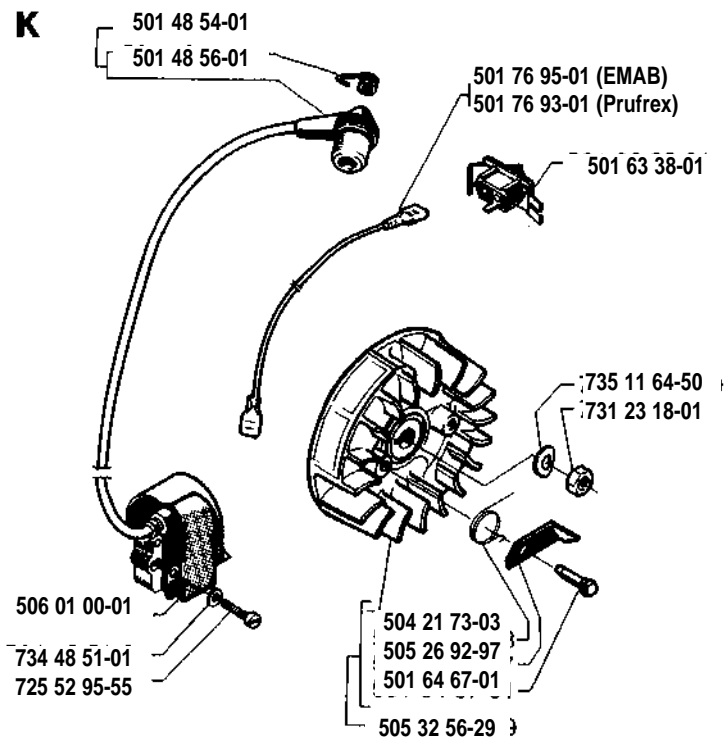
**F** \* \* compl 501 76 66-01



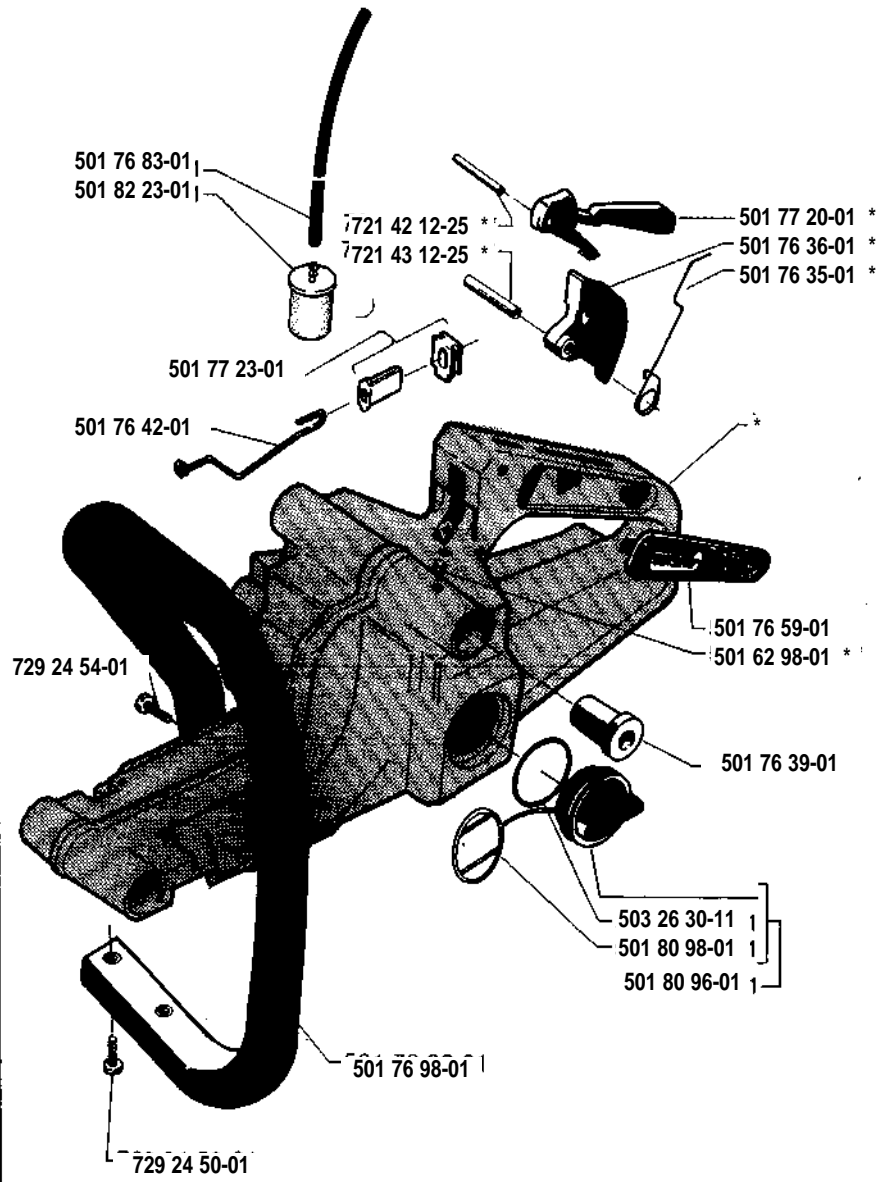
**D**



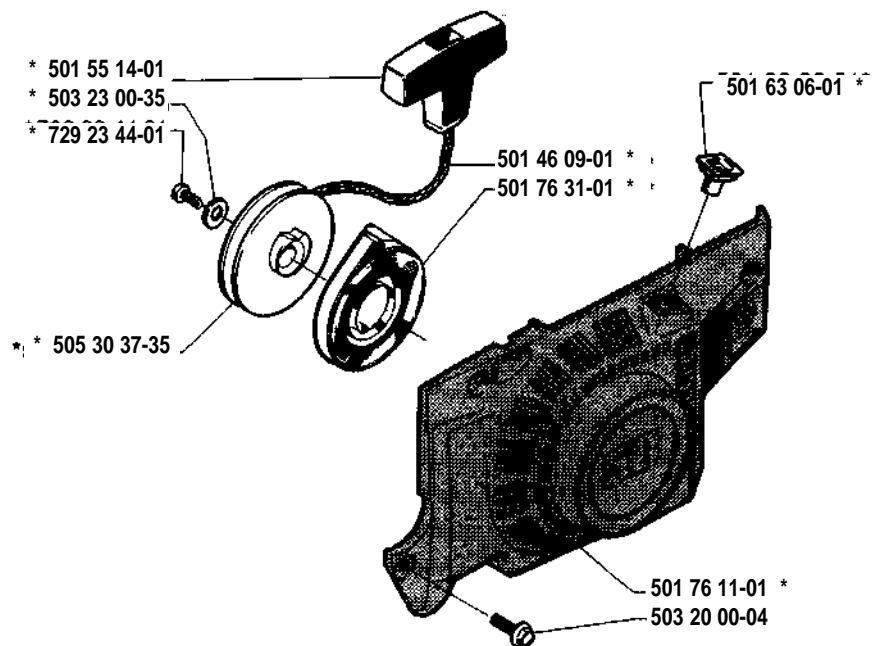
**K**



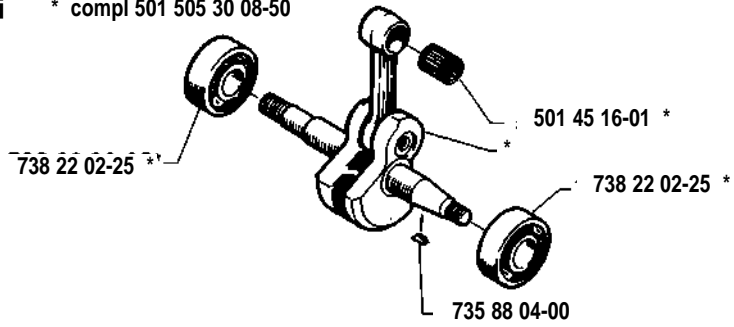
**E** \* compl 501 76 13-01<sub>1</sub>



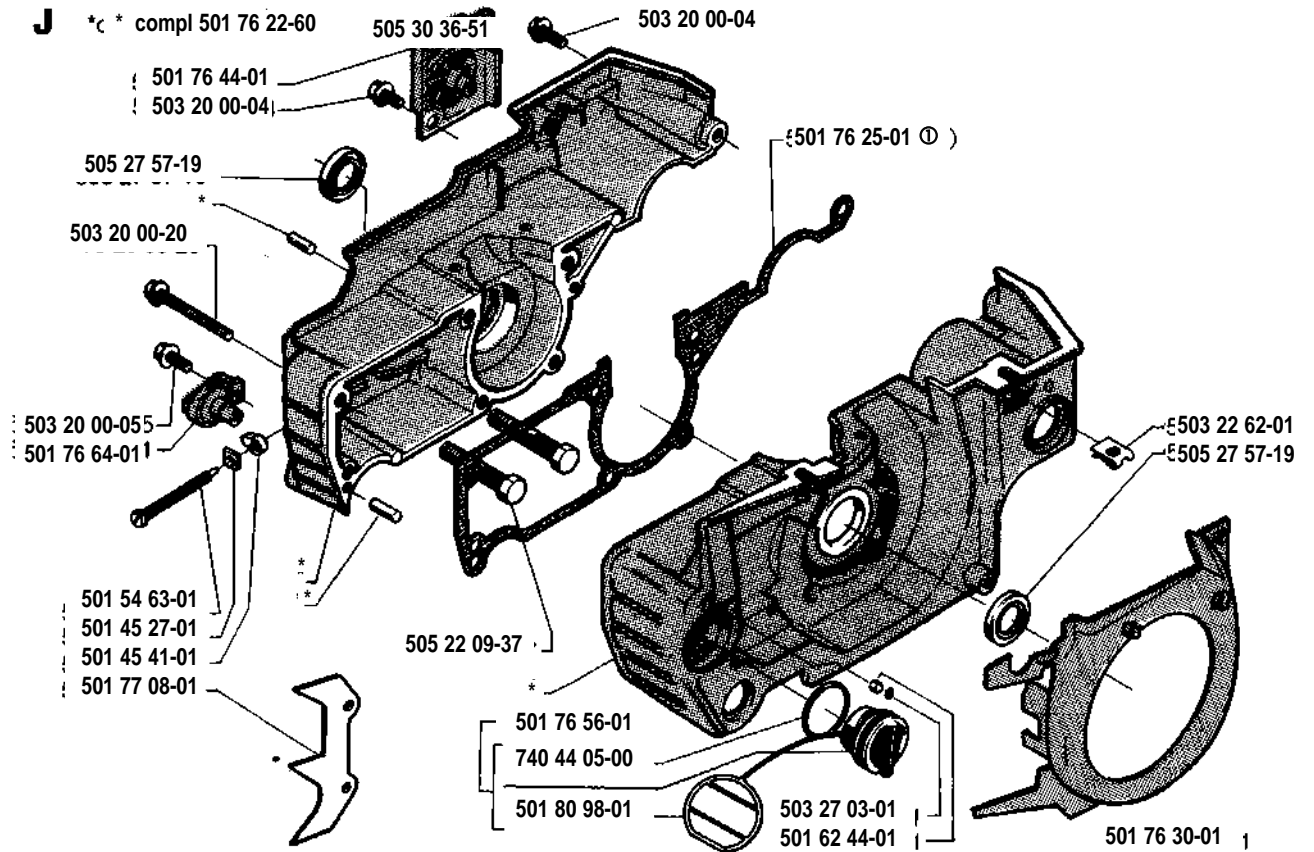
**L** \* compl 501 76 10-01

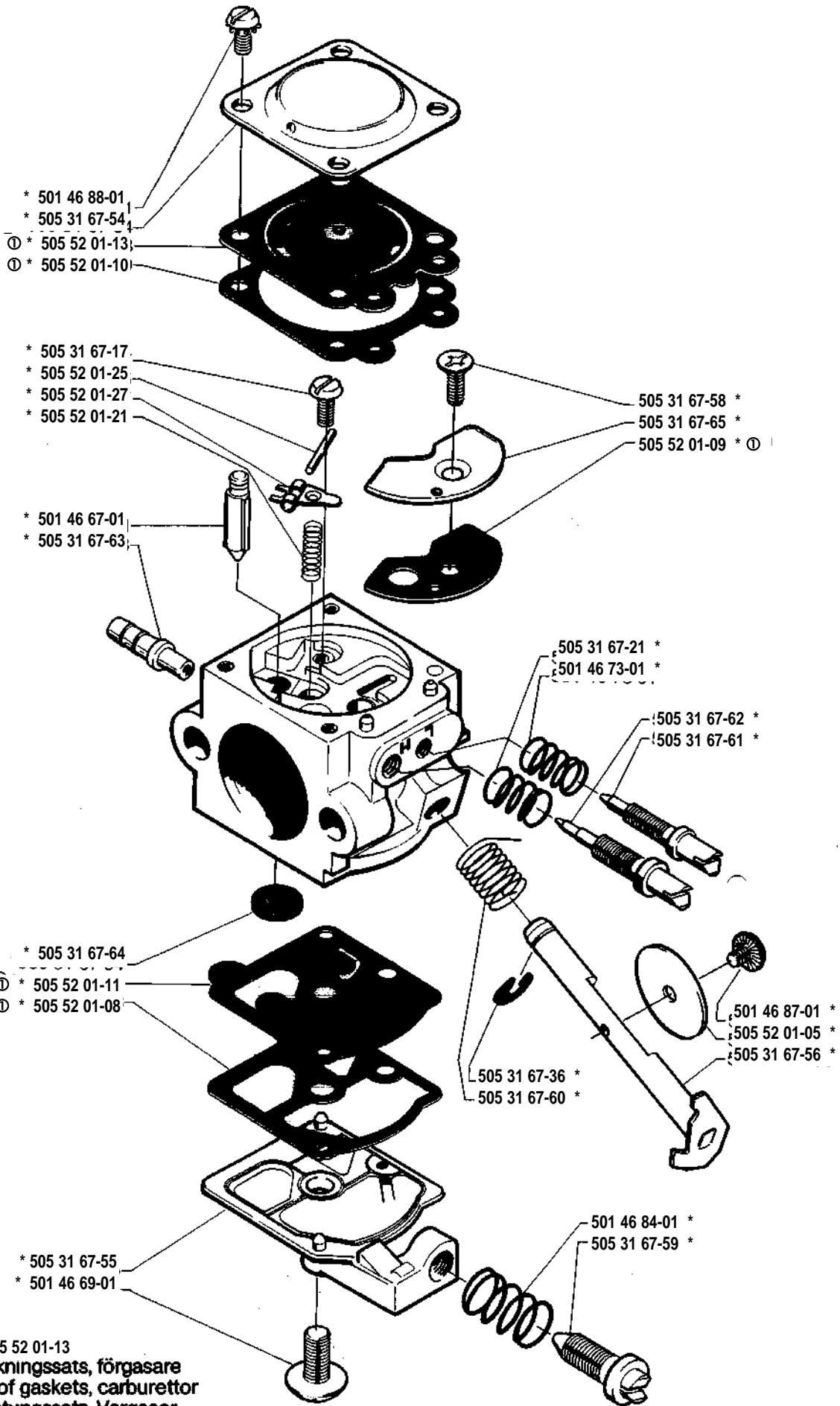


**G** \* compl 501 505 30 08-50



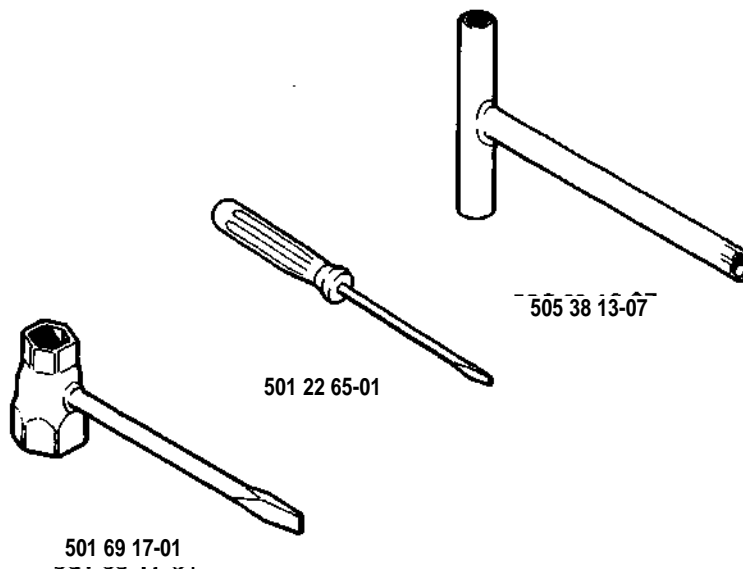
**J** \*c \* compl 501 76 22-60





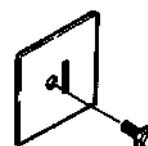
⓪ 505 52 01-13  
 Packningssats, förgasare  
 Set of gaskets, carburettor  
 Dichtungssatz, Vergaser  
 Jeu de joints, carburateur

**N**  
**Tillbehör**  
**Accessories**  
**Accessoires**  
**Zubehöre**



○ compl 501 77 21-01

**Vintersats**  
**Winter equipment**  
**Winterausrüstung**  
**Equipment d'hiver**





| Beställn.-nummer<br>Part number<br>Best. Nr<br>No de commande<br>Varaosä n:ro | Ruta<br>Box<br>Viereck<br>Carreau<br>Index | Anm.<br>Remarks<br>Anm.<br>Notes<br>Huom | Beställn.-nummer<br>Part number<br>Best. Nr<br>No de commande<br>Varaosä n:ro | Ruta<br>Box<br>Viereck<br>Carreau<br>Index | Anm.<br>Remarks<br>Anm.<br>Notes<br>Huom | Beställn.-nummer<br>Part number<br>Best. nr<br>No de commande<br>Varaosä n:ro | Ruta<br>Box<br>Viereck<br>Carreau<br>Index | Anm.<br>Remarks<br>Anm.<br>Notes<br>Huom |
|---|--|--|---|--|--|---|--|--|
| 501 22 65-01  | N  |  | 501 76 74-01  | F  |  | 505 31 04-40  | D  |  |
| 501 45 16-01  | C, G                                       |  | 501 76 75-01  | A  |  | 505 31 07-44  | H  |  |
| 501 45 24-01  | C  |  | 501 76 79-01  | A  |  | 505 31 07-44  | H  |  |
| 501 45 27-01  | J  |  | 501 76 80-01  | A  |  | 505 31 07-51  | D  |  |
| 501 45 41-01  | J  |  | 501 76 81-01  | A  |  | 505 31 51-84  | H  |  |
| 501 45 74-01  | H  |  | 501 76 83-01  | E  |  | 505 31 67-17  | M  |  |
| 501 46 09-01  | L  |  | 501 76 87-01  | A  |  | 505 31 67-21  | M  |  |
| 501 46 67-01  | M  |  | 501 76 88-01  | F  |  | 505 31 67-36  | M  |  |
| 501 46 69-01  | M  |  | 501 76 90-01  | N  |  | 505 31 67-51  | D, M                                       |  |
| 501 46 73-01  | M  |  | 501 76 92-01  | K  |  | 505 31 67-54  | M  |  |
| 501 46 84-01  | M  |  | 501 76 93-01  | K  |  | 505 31 67-55  | M  |  |
| 501 46 87-01  | M  |  | 501 76 98-01  | E  |  | 505 31 67-56  | M  |  |
| 501 46 88-01  | M  |  | 501 77 00-01  | D  | ①  | 505 31 67-58  | M  |  |
| 501 48 54-01  | K  |  | 501 77 05-01  | A  |  | 505 31 67-59  | M  |  |
| 501 48 56-01  | K  |  | 501 77 06-01  | F  |  | 505 31 67-60  | M  |  |
| 501 54 63-01  | J  |  | 501 77 07-01  | B  |  | 505 31 67-61  | M  |  |
| 501 55 14-01  | L  |  | 501 77 08-01  | J  |  | 505 31 67-62  | M  |  |
| 501 62 44-01  | J  |  | 501 77 11-01  | D  |  | 505 31 67-63  | M  |  |
| 501 62 98-01  | E  |  | 501 77 12-01  | A  |  | 505 31 67-64  | M  |  |
| 501 63 06-01  | L  |  | 501 77 20-01  | E  |  | 505 31 67-65  | M  |  |
| 501 63 38-01  | K  |  | 501 77 21-01  | O  |  | 505 31 72-16  | H  |  |
| 501 63 97-01  | D  |  | 501 77 23-01  | E  |  | 505 31 72-23  | H  |  |
| 501 64 67-01  | K  |  | 501 77 24-01  | H  |  | 505 32 56-29  | K  |  |
| 501 69 17-01  | N  |  | 501 80 86-01  | E  |  | 505 34 13-05  | C  |  |
| 501 76 05-01  | B  |  | 501 80 98-01  | E, J                                       |  | 505 38 13-07  | N  |  |
| 501 76 10-01  | L  |  | 501 82 23-01  | E  |  | 505 52 01-05  | M  |  |
| 501 76 11-01  | L  |  | 501 82 92-02  | A  |  | 505 52 01-08  | M  |  |
| 501 76 12-01  | A  |  | 503 20 00-04  | D, H, J, L                                 |  | 505 52 01-09  | M  |  |
| 501 76 13-01  | E  |  | 503 20 00-05  | C, J                                       |  | 505 52 01-10  | M  |  |
| 501 76 22-60  | J  |  | 503 20 00-20  | J  |  | 505 52 01-11  | M  |  |
| 501 76 25-01  | J  | ①  | 503 21 12-01  | B  |  | 505 52 01-13  | M  |  |
| 501 76 27-01  | H  |  | 503 21 82-02  | F  |  | 505 52 01-21  | M  |  |
| 501 76 28-01  | D  |  | 503 22 00-01  | A  |  | 505 52 01-25  | M  |  |
| 501 76 29-01  | D  |  | 503 22 20-01  | F  |  | 505 52 01-27  | M  |  |
| 501 76 30-01  | J  |  | 503 22 62-01  | J  |  | 506 01 00-01  | K  |  |
| 501 76 31-01  | L  |  | 503 23 00-35  | L  |  | 721 12 10-40  | H  |  |
| 501 76 32-01  | H  |  | 503 23 01-03  | H  |  | 721 42 12-25  | E  |  |
| 501 76 35-01  | E  |  | 503 23 01-05  | H  |  | 721 42 52-50  | A  |  |
| 501 76 36-01  | E  |  | 503 23 50-11  | C  |  | 721 43 12-25  | E  |  |
| 501 76 37-01  | H  |  | 503 26 30-11  | E  |  | 723 13 25-01  | D  |  |
| 501 76 39-01  | E  |  | 503 27 03-01  | J  |  | 725 52 93-56  | A  |  |
| 501 76 42-01  | E  |  | 504 21 73-03  | K  |  | 725 52 95-55  | K  |  |
| 501 76 44-01  | J  |  | 505 22 09-37  | J  |  | 729 23 44-01  | L  |  |
| 501 76 46-01  | A  |  | 505 26 60-65  | C  |  | 729 24 23-05  | D  |  |
| 501 76 48-01  | A  |  | 505 26 92-97  | K  |  | 729 24 50-01  | E  |  |
| 501 76 49-01  | A  |  | 505 27 21-21  | C  | ①  | 729 24 54-01  | E  |  |
| 501 76 54-01  | A  |  | 505 27 21-22  | C  | ①  | 731 23 18-01  | K  |  |
| 501 76 56-01  | J  |  | 505 27 57-19  | J  |  | 734 48 51-01  | K  |  |
| 501 76 59-01  | E  |  | 505 29 31-66  | H  |  | 735 11 64-50  | K  |  |
| 501 76 61-01  | H  |  | 505 30 08-50  | G  |  | 735 31 09-21  | A  |  |
| 501 76 64-01  | J  |  | 505 30 23-55  | H  |  | 735 68 04-00  | G  |  |
| 501 76 66-01  | F  |  | 505 30 32-77  | H  |  | 738 22 02-25  | G  |  |
| 501 76 71-01  | F  |  | 505 30 36-94  | H  |  | 740 44 05-00  | J  |  |
| 501 76 72-01  | F  |  | 505 30 37-55  | L  |  |   |  |  |

① 501 76 18-01  
Packingsats  
Set of gaskets  
Dichtungssatz  
Jeu de joints