



## ILLUSTRATED PARTS LIST

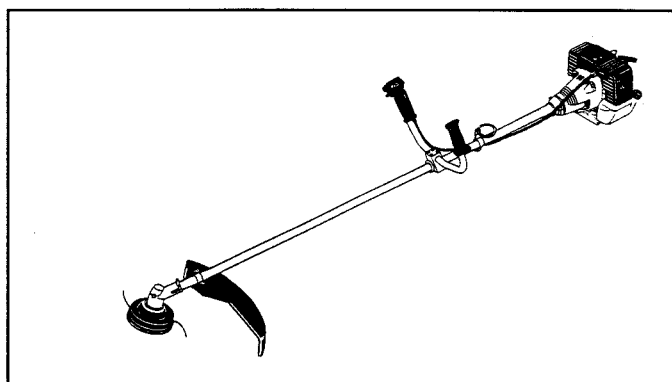
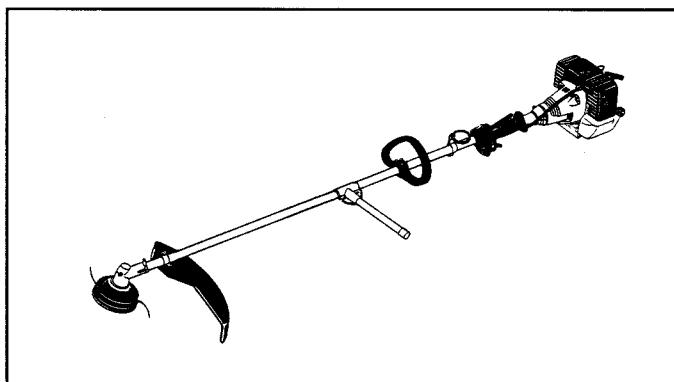
**PRO MAC 4000 - 4100 - 4150 - 4200 S**

**ZETA 142**

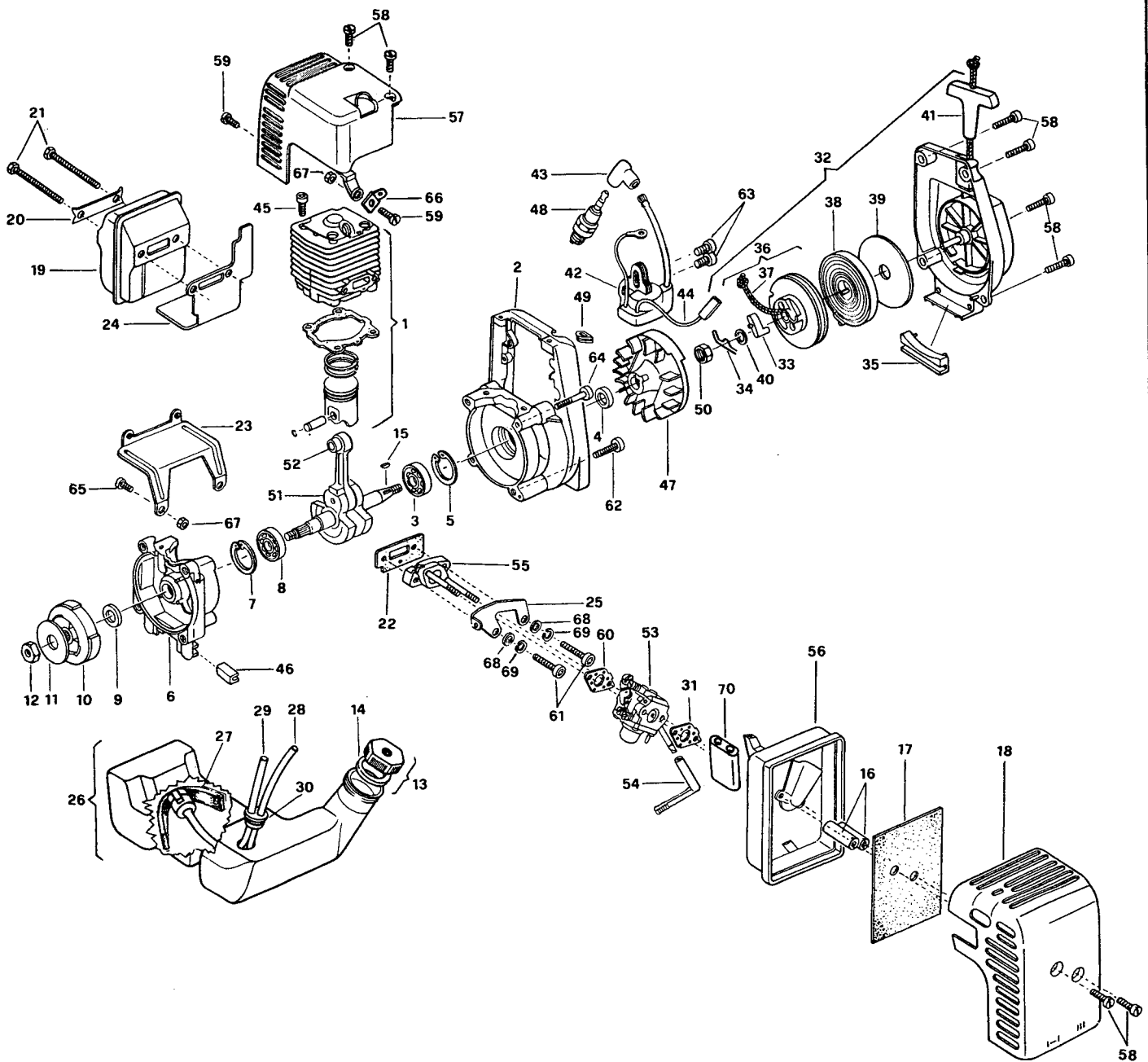
**TD 4000 - 4100 - 4150 - 4200 S**

**GT 80-82**

SERIAL NUMBER PREFIX 03-04

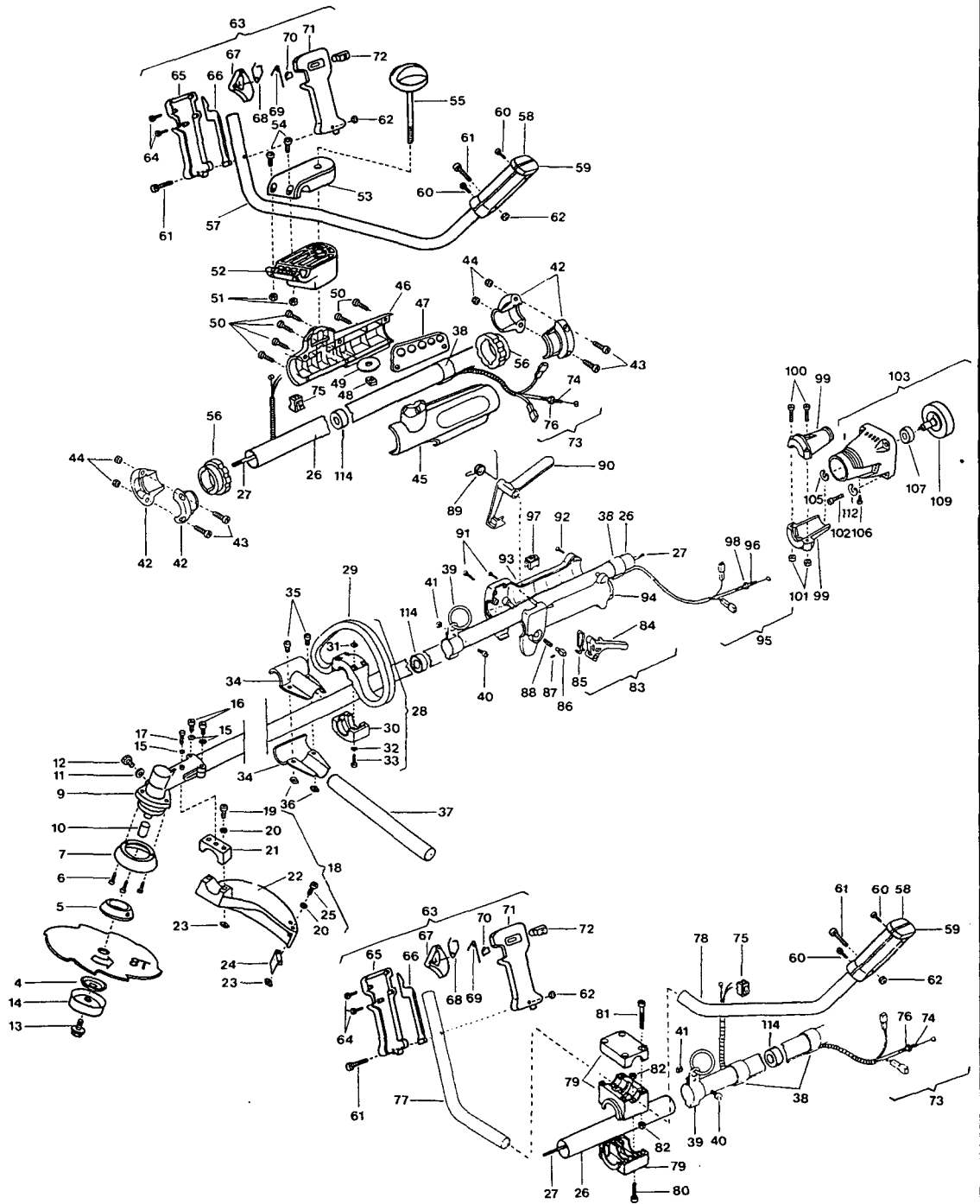
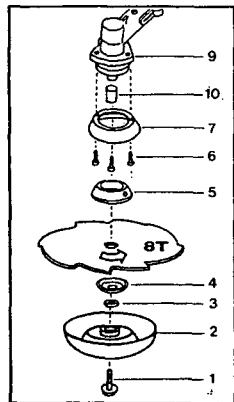
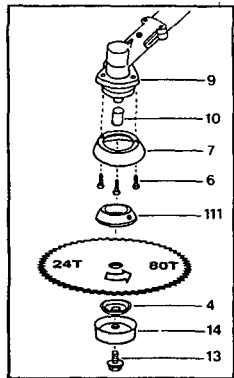
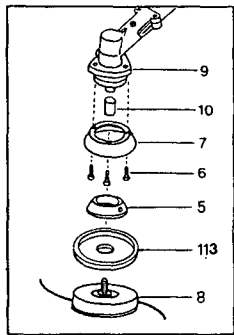


March 1997



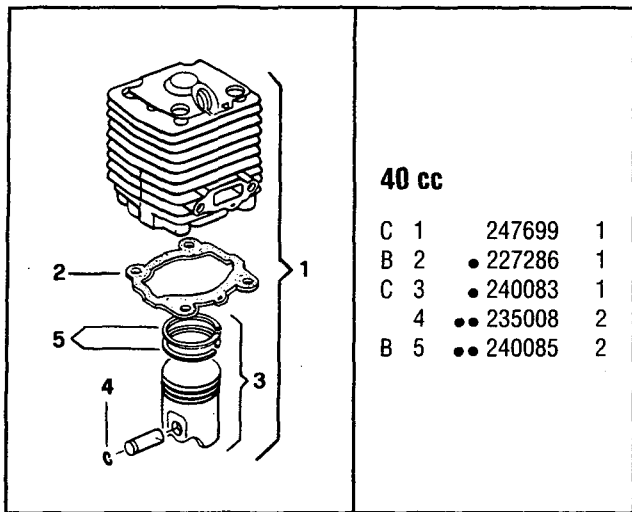
**FIGURE 1**

C	1	FIGURE 3							
	2	247704	1						
	3	● 235900	1						
C	4	● 228872	1						
	5	● 235899	1						
	6	247703	1						
	7	● 235899	1						
	8	● 235900	1						
C	9	● 228872	1						
B	10	227282	1						
	11	236739	1						
	12	228294	1						
B	13	236563	1						
A	14	● 236564	1						
C	15	102164	Prefix O3	1					
C		227631	Prefix O4	1					
	16	227143	PROMAC-ZETA 2	1					
		227785	TITAN-GT	2					
B	17	227145		1					
18		240496	PROMAC	1					
		227148	ZETA	1					
		227784	TITAN	1					
		241171	GT	1					
C	19	237436		1					
	20	227236		1					
	21	227274	M5x60	2					
C	22	227239		1					
	23	227242		1					
C	24	227243		1					
	25	227244		1					
C	26	240493	PROMAC-ZETA 1	1					
C		227787	TITAN-GT	1					
A	27	● 240452		1					
B	28	● 227139		1					
B	29	● 229809		1					
C	30	● 235675		1					
A	31	227417		1					
C	32	227896	PROMAC-GT	1					
C		241151	ZETA	1					
C		227780	TITAN	1					
B	33	● 240492		1					
B	34	● 240485		1					
	35	● 227186		1					
B	36	● 227194		1					
A	37	● 227703		1					
B	38	● 227300		1					
	39	● 227467		1					
	40	● 227470		1					
	41	● 240884		1					
C	42	227874		1					
	43	● 235922		1					
	44	227774		1					
	45	227565	M5X25	4					
	46	229280		2					
	47	227862	Prefix O3	1					
		241189	Prefix O4	1					
A	48	92879		1					
	49	236322		1					
	50	236617		1					
	51	240677	Prefix O3	1					
		241200	Prefix O4	1					
C	52	● 235742		1					
C	53	FIGURE 5		1					
	54	227255		1					
C	55	237451		1					
	56	237452		1					
	57	240497	PROMAC	1					
		237454	ZETA	1					
		227900	TITAN	1					
		241174	GT	1					
	58	240688	M5X14	8					
	59	240688	M5X14	4					
A	60	227692		1					
	61	235803	M5X25	2					
	62	235804	M5X30	2					
	63	235806	M5X20	2					
	64	235919	M5X40	2					
	65	229563	M5X10	2					
	66	228139		1					
	67	236732		3					
	68	235248		2					
	69	236529		2					
	70	241129		1					



**FIGURE 2**

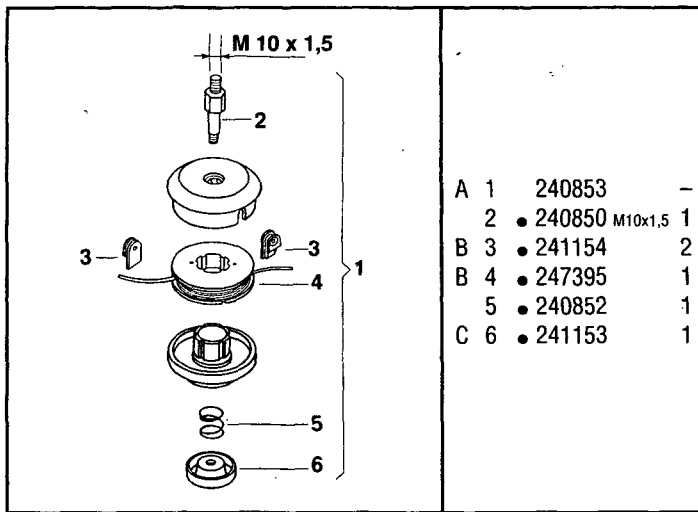
A 1	229843	M10x29	1	24	● 224497-01		1	46	240941	PROMAC	1	68	● 240091		1	91	● 240617		2
A 2	235986		1	25	● 235802	M5x14	2		241025	TITAN	1	69	● 229973		1	92	● 240618		4
3	236323		1	26	240830		1	47	240966		1	70	● 229823		1	93	● 240039		1
A 4	229834		1	27	229829		1	48	241003		1	71	● 227763		1	94	● 240040		1
A 5	229833		1	28	236999		1	49	241004		1	72	● 229824		1	C 95	● 240573		1
6	240688	M5x14	3	29	● 236808		1	50	241002		6	C 73	● 240505		1	C 96	● 240571		1
B 7	240767		1	30	● 236809		1	51	235216		2	C 74	● 240506		1	C 97	● 236394		1
A 8	FIGURE 4			31	● 236642		4	52	240967		1	C 75	● 236394		1	98	235912		1
9	240824		1	32	● 236936		4	53	240968		1	76	235912		1	99	240935		2
10	● 247272		1	33	● 228320	M6x45	4	54	227563	M5x16	2	77	229831		1	100	235530	M5x35	2
11	● 235906		1	34	240682		2	55	240971	M5x16	1	78	229832		1	101	235216		2
12	● 240151	M8x10	1	35	235911	M6x12	2	56	240970		2	79	240017		1	102	235214	M6x20	4
A 13	229842	M10x16	1	36	236642		2	57	241010		1	80	● 235921	M6x30	2	103	240905	PROMAC-ZETA	1
A 14	236596		1	37	246864		1	58	229985		1	81	● 236558	M6x40	4		240993	TITAN	1
15	236529		3	38	229849		2	59	229984		1	82	● 235912		6		241173	GT	1
16	235804	M5x30	2	39	236602		1	60	240833		2	83	240587		1	C 105	● 236378		1
17	236381	M5x10	1	40	235911	M6x12	1	61	235804	M5x30	2	84	● 240042		1	106	● 236381	TITAN-GT	1
B 18	247209		1	41	236642		1	62	235216		2	85	● 235932		1	C 107	● 235918	TITAN-GT	1
19	● 235806	M5x20	2	42	240969		4	63	240504		1	86	● 235892		1	C 109	● 227284		1
20	● 235248		4	43	227563	M5x16	4	64	● 240833		5	87	● 240526		1	A 111	240936		1
21	● 240870		1	44	235216		4	65	● 227764		1	88	● 235933		1	112	236528		4
B 22	● 240932		1	45	240942	PROMAC	1	66	● 229820		1	89	● 240043		1	113	241155		1
23	● 236732		4		241026	TITAN	1	67	● 229818		1	90	● 240041		1	114	236383		5



40 cc

C	1	247699	1
B	2	● 227286	1
C	3	● 240083	1
	4	●● 235008	2
B	5	●● 240085	2

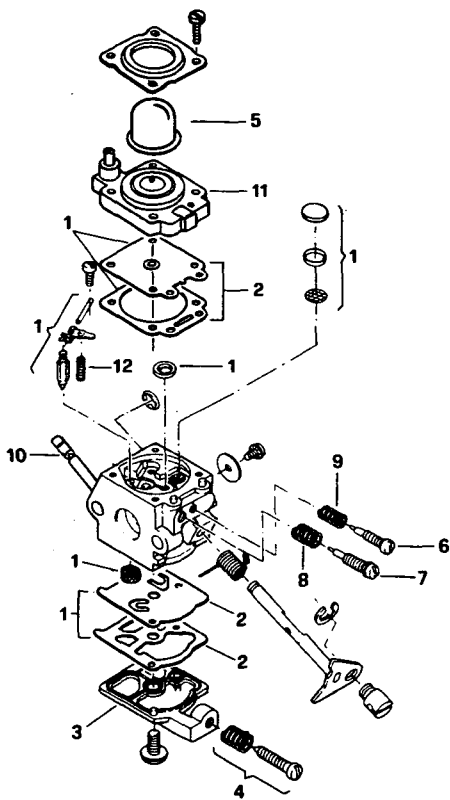
FIGURE 3



A	1	240853	-
B	2	● 240850 M10x1,5	1
B	3	● 241154	2
B	4	● 247395	1
	5	● 240852	1
C	6	● 241153	1

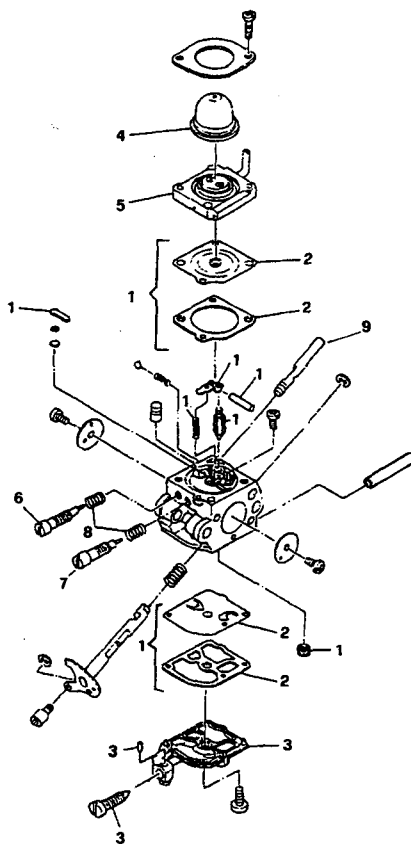
FIGURE 4

WALBRO WT 255



C	-	240048	carbur.
B	1	● 229198	1
A	2	●● 229191	1
	3	● 237480	1
	4	● 237481	1
C	5	● 225834	1
	6	● 246540	H 1
	7	● 246541	L 1
	8	● 229927	1
	9	● 229601	1
	10	● 225962	1
C	11	● 246949	1
C	12	● 246950	1

ZAMA C1Q M31



C	-	240013	carbur.
B	1	● 226226	1
A	2	●● 226227	1
	3	● 246945	1
C	4	● 246946	1
C	5	● 246947	1
	6	● 226228	H 1
	7	● 226229	L 1
	8	● 226230	2
	9	● 246948	1

FIGURE 5

A = high moving - alta rotazione - haute demande - große Nachfrage  
 B = medium moving - media rotazione - moyenne demande - mittelmäßige Nachfrage  
 C = slow moving - bassa rotazione - basse demande - wenige Nachfrage