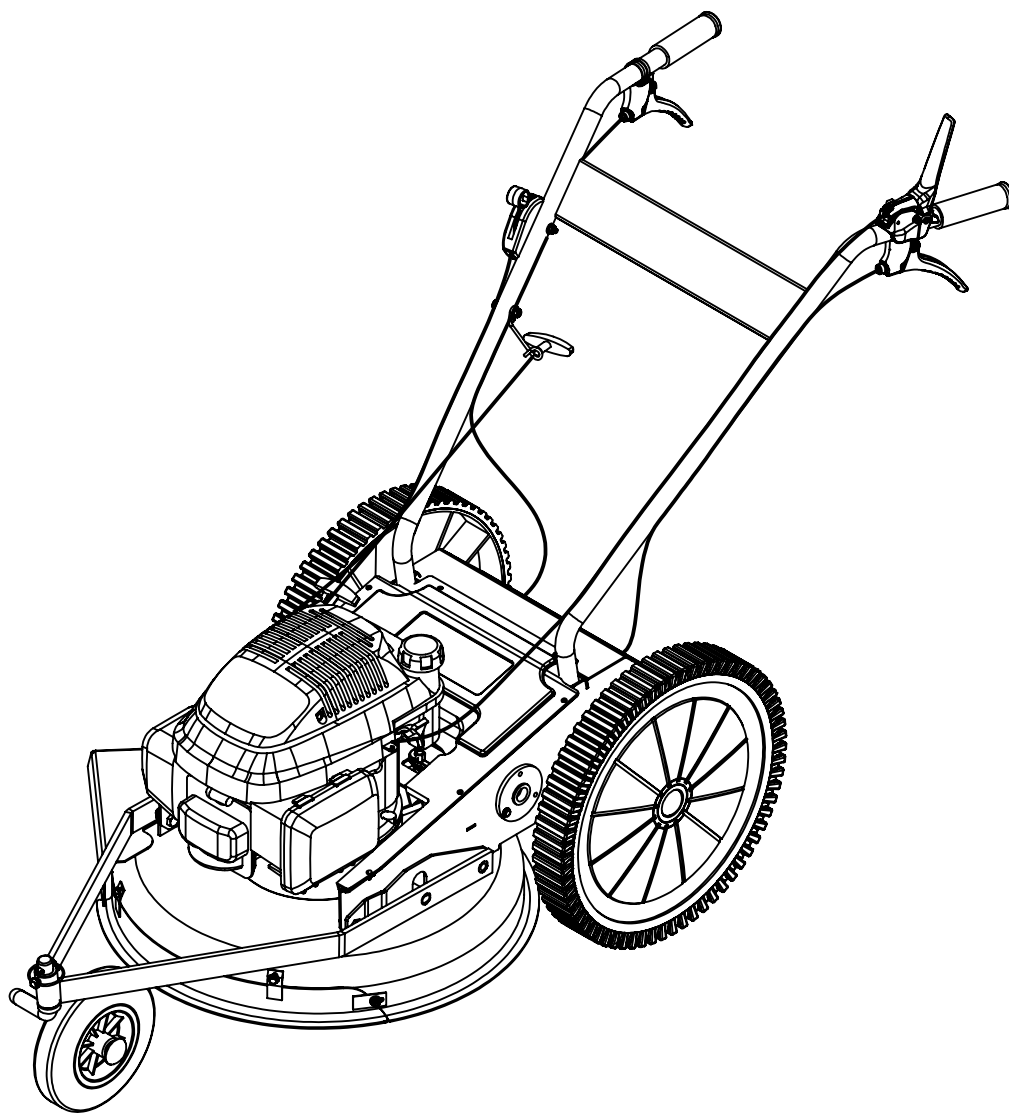
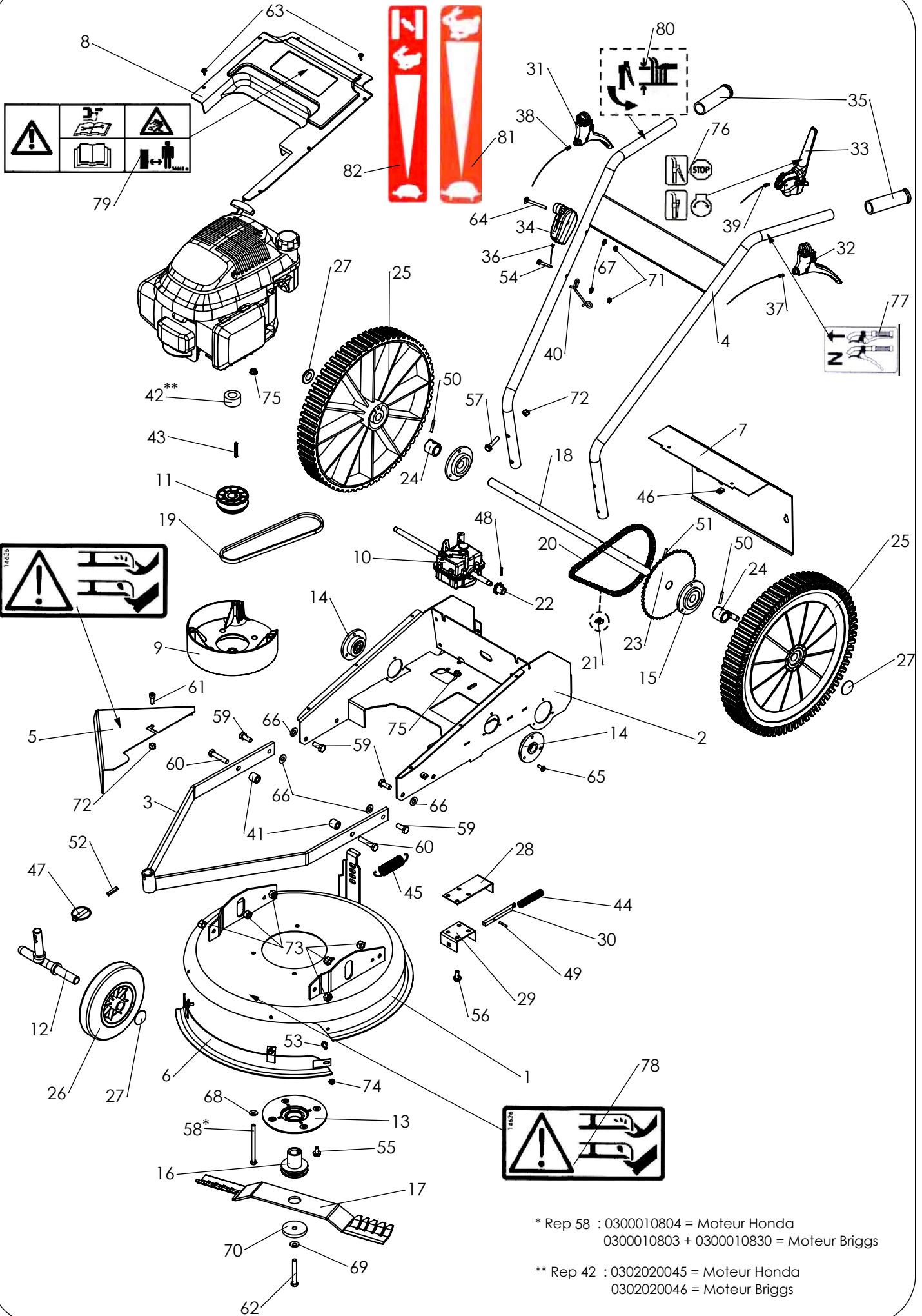


Pièces de rechange Spare parts list

FIRST 06



*DEBROUSSAILLEUSE
BRUSHCUTTER*



* Rep 58 : 0300010804 = Moteur Honda
 0300010803 + 0300010830 = Moteur Briggs

** Rep 42 : 0302020045 = Moteur Honda
 0302020046 = Moteur Briggs

Rep N°	Ref.	Désignation	Description	Qte
1	4002052703	COUPELLE xDEB ECO V2x Gris 7040x	Grey RAL 7040 blade guard brushcutter	1
1	4002060403	COUPELLE x DEB ECO V2 x Gris 3M	Grey (3M) blade guard brushcutter	1
1	4002060503	COUPELLE x DEB ECO V2 x Gris 8120	Grey (8120) blade guard brushcutter	1
1	4002061303	COUPELLE x DEB ECO V2 x R3002	Red RAL 3002 Blade guard brushcutter	1
1	4002063003	COUPELLE x DEB ECO V2 xG7015x	Grey RAL 7015 blade guard brushcutter	1
2	4002061302	CHASSIS ARRIERE DEB ECO V2-06 Rouge RAL 3002	Red RAL 3002 frame	1
2	4002061702	CHASSIS ARRIERE DEB ECO V2-06 Jaune RAL 1028	Yellow RAL 1028 frame	1
2	4002062002	CHASSIS ARRIERE DEB ECO V2-06 Vert RAL 6029	Green RAL 6029 frame	1
2	4002062203	CHASSIS ARRIERE DEB ECO V2-06 Bleu RAL 5015	Blue RAL 5015 frame	1
2	4002062302	CHASSIS ARRIERE DEB ECO V2-06 Bleu P301	Blue P301 frame	1
2	4002062402	CHASSIS ARRIERE DEB ECO V2-06 Orange RAL 2004	Orange RAL 2004 frame	1
2	4002062902	CHASSIS ARRIERE DEB ECO V2-06 Rouge RAL 3000	Red RAL 3000 frame	1
2	4002063102	CHASSIS ARRIERE DEB ECO V2-06 Jaune P1235C	Yellow P1235C frame	1
3	4002000302	CHASSIS AVANT PIV E51-03 Noir RAL 9005	Black RAL 9005 front frame	1
3	4002000402	CHASSIS AVANT PIV E51-03 Gris 3M	Grey (3M) front frame	1
3	4002000502	CHASSIS AVANT PIV E51-03 Gris (8120)	Grey (8120) front frame	1
3	4002002702	CHASSIS AVANT PIV E51-03 Gris RAL 7040	Grey RAL 7040 front frame	1
4	4002052701	GUIDON DEB ECO V2 xGris 7040x	Grey RAL 7040 brushcutter handlebar	1
4	4002060301	GUIDON DEB ECO V2 x noir	Black brushcutter handlebar	1
4	4002061704	GUIDON DEB ECO V2 xJaune Ral1028x	Yellow RAL 1028 brushcutter handlebar	1
4	4002062201	GUIDON DEB ECO V2 x Bleu 5015x	Blue RAL 5015 brushcutter handlebar	1
5	4002000407	DEFLECTEUR LATERAL E51 Gris 3M	Grey (3M) Side deflector	1
5	4002000504	DEFLECTEUR LATERAL E51 Gris (8120)	Grey (8120) Side deflector	1
5	4002001307	DEFLECTEUR LATERAL E51 Rouge RAL 3002	Red RAL 3002 Side deflector	1
5	4002002708	DEFLECTEUR LATERAL E51 Gris RAL 7040	Grey RAL 7040 Side deflector	1
5	4002003007	DEFLECTEUR LATERAL E51 Gris RAL 7015	Grey RAL 7015 Side deflector	1
6	4002000505	DEFLECTEUR AVANT E51 Gris (8120)	Grey (8120) Front deflector	1
6	4002000405	DEFLECTEUR AVANT E51 Gris 3M	Grey (3M) Front deflector	1
6	4002001305	DEFLECTEUR AVANT E51 Rouge RAL 3002	Red RAL 3002 Front deflector	1
6	4002002705	DEFLECTEUR AVANT E51 Gris RAL 7040	Grey RAL 7040 Front deflector	1
6	4002003005	DEFLECTEUR AVANT E51 Gris RAL 7015	Grey RAL 7015 Front deflector	1
7	4002061301	CAPOT ARRIERE DEB ECO V2 Rouge RAL 3002	Red RAL 3002 rear bonnet	1
7	4002061701	CAPOT ARRIERE DEB ECO V2 Jaune RAL 1028	Yellow RAL 1028 rear bonnet	1
7	4002062001	CAPOT ARRIERE DEB ECO V2 Vert RAL 6029	Green RAL 6029 rear bonnet	1
7	4002062202	CAPOT ARRIERE DEB ECO V2 Bleu RAL 5015	Blue RAL 5015 rear bonnet	1
7	4002062301	CAPOT ARRIERE DEB ECO V2 Bleu P301	Blue P301 rear bonnet	1
7	4002062401	CAPOT ARRIERE DEB ECO V2 Orange RAL 2004	Orange RAL 2004 rear bonnet	1
7	4002062901	CAPOT ARRIERE DEB ECO V2-06 Rouge RAL 3000	Red RAL 3000 rear bonnet	1
7	4002063101	CAPOT ARRIERE DEB ECO V2 Jaune P1235C	Yellow P1235C rear bonnet	1
8	0340030001	CAPOT MOTEUR FIRST	Black motor bonnet	1
9	0340030034	REHAUSSE MOTEUR XTREM-FIRST	Plastic engine raiser	1
10	0306040012	REDUCTEUR x DEB ECO V2-06 x Type 4002	Reduction gearbox 4002 brushcutter	1
11	0306060014	POULIE MOTEUR VARIATRICE D22.2 FLASQUE MOBILE ALU	Variation motor pulley Ø22.2	1
12	4002000304	SUPP ROUE AVANT E51-03 Noir RAL 9005	Black RAL 9005 Support front wheel	1
12	4002000404	SUPP ROUE AVANT E51-03 Gris 3M	Grey (3M) Support front wheel	1
12	4002000506	SUPP ROUE AVANT E51-03 Gris (8120)	Grey (8120) Support front wheel	1
12	4002012704	SUPP ROUE AVANT E51-03 Gris RAL 7040	Grey RAL 7040 Support front wheel	1
13	0340030028	PALIER COUPELLE XTREM/FIRST	Blade guard hub	1
14	0340030012	PALIER ARBRE INTERMEDIAIRE xDEB ECOx	Countershaft bearing Ø10 Deb	2
15	0340030013	PALIER ARBRE ROUE xLJUNIORx E51 DIAM 20	Wheel-axle bearing	2
16	0302030047	MOYEU LAME E51ProV2	Blade hub	1
17	0320020006	LAME LG 510 DEP 30 E51 PROv2	Blade	1
18	0302010091	ARBRE ROUE x DEB ECO V2	Wheel shaft Deb ECO V2	1
19	0306030048	COURROIE 6207MC x DEB ECO V2	Fanbelt 6207 MC Gates	1
20	0306020020	CHAINE ISO 06B-1 pas 9.525mm 75 maillons +MCS à goupille mo	Chain ISO 06B-1 pitch 9.525 75 links +offset link + connecting links	1
21	0306020001	ATTACHE RAPIDE 9.525 N 10..06B	Quick fastener (9.525)	1
22	0306050028	PIGNON 9 DENTS 9.525 alés 12mm	Sprocket 9 teeth 9.525 x 5.3	1
23	0306050029	PIGNON 60 DENTS 9.525 alés 20mm	Pinion 60 teeth 9.525 x 5.3	1
24	0302030014	MOYEU ROUE INTERIEUR xE51x	Wheel hub E51	2
25	0340030015	ROUE DIAM 420 xGRISx RAL 7012	Grey RAL 7012 rear wheel Ø420	2
25	0340030016	ROUE DIAM 420 xJAUNE P116	Yellow P116 rear wheel Ø420	2
25	0340030017	ROUE DIAM 420 xNOIRx	Black rear wheel Ø420	2
26	0309000014	ROUE 200 ALES 20 MOY 60 NOIR	BLACK WHEEL D200 BORE 20 LG.60	1
27	0300702001	ENJOLIVEUR DIAM 20 CAB 20/38	Trim stopper Ø20	3
28	4002040104	SUPP VERROUILLAGE RELEVAGE ECO-03 NOIR	Support locking raising	1
29	4002000102	SUPP AXE RELEVAGExE51-03xBICHx	Locking pin support	1
30	0302010030	AXE RELEVAGE xE51-03xBICHx	Locking pin	1
31	0307010020	LEVIER EMB LAB C7 B01 Course 25 Guidon D25mm	LEVER LAB D25 STROKE 25 Handlebar D25mm	1
32	0307010021	LEVIER EMB LAB D7 B01 Course 30 Guidon D25mm	LEVER LAB D25 STROKE 30 Handlebar D25mm	1

Rep N°	Ref.	Désignation	Description	Qte
33	0307010023	LEVIER FREIN MOTEUR LASC 05 R 00 Course 20 Guidon 25mm	Brake lever LASC Ø25 stroke 20mm	1
34	0307020017	MANETTE GAZ x MIN-MAX x 4 crants x BS et GX	Accelerator lever "min max" (4 crants)	1
35	0341000037	POIGNEE PLASTIQUE DIAM 25 CB	HAND SIDE GRIP	2
36	0308040040	CABLE GAZ x Deb. ECO V2	Throttle cable Lg 1015mm stroke 60mm	1
37	0308020041	CABLE EMBRAYAGE LG1000 CF138 MANETTE LAB	Clutch cable	1
38	0308030006	CABLE REGLAGE HAUTEUR Deb. ECO V2	Height setting cable	1
39	0308050011	CABLE FREIN MOT Deb ECO V2 et MB FUN (manet LASC)	Engine brake cable	1
40	0305030001	ACCROCHE LANCEUR xE51-03x	Starter Hook	1
41	0340030010	ENTRETOISE COUP E51 10.5x20 LG21 PA6.6	Blade guard spacer E51	2
42	0302020045	ENTRETOISE 40x22x22 Moteur GCV E51ProV2	Spacer 40 x 22 x 22 (GCV)	1
42	0302020046	ENTRETOISE 40x22x8 Moteur BSint60 E51ProV2	Spacer 40 x 22 x 8 (briggs)	1
43	0301040001	CLAVETTE 4.76X4.76X 40 BTS DRO TOL h 9 - XC 48	KEY 4.76X4.76X40 DRO TOL h 9 - XC 48	1
44	0305020001	RESSORT CP 13,4x75 16/10	Locking spring	1
45	0305010009	RESSORT TR RELEVAGE E51 35/10	High adjustment spring	1
46	0301050001	CLIPS PRESTOLE Z/VIS 4.2 EP 4	CLIPS 4.2	9
47	0301010009	GOUPILLE CLIPS 8X42 ZING	Cotter-pin	1
48	0301020001	GOUPILLE HBK 4x20 ISO 8748ST	Pin Ø4x20 HBK	1
49	0301020002	GOUPILLE HBK 4x24	Cotter-pin 4x24 HBK	1
50	0301020004	GOUPILLE HBK 5x30 ISO 8748ST	Pin Ø5x30 HBK	2
51	0301020005	GOUPILLE HBK 5x40	Pin Ø5x40 HBK	1
52	0301020007	GOUPILLE mecanindus 8X30	Cotter-pin 8x30	1
53	0300010609	VIS H 6x16 Z EMB CR DIN 6921	SCREW HM 6X16 Z NOTCHED SHOULD	3
54	0300010604	VIS H 6 X 35 Z NFE 24017 CL6.8	Screw HM6x35z	1
55	0300010815	VIS H 8x16 Z EMB CR DIN 6921 CL 6.8	SCREW H M8X16 Z NOTCHED SHOULDER CL 6.8	4
56	0300010816	VIS H 8x20 Z EMB CR	SCREW H M8X20 Z NOTCHED SHOULDER CL 8.8	3
57	0300010817	VIS H 8x40 Z EMB CR DIN 6921	SCREW H M8 X 40	4
58	0300010804	VIS HM8x110/22Z ISO 4014 CL8.8	Screw HM 8x110 z	4
58	0300010830	VIS H 8x130/ Z CL8.8 DIN 931 - ISO 4014	Screw HM 8x130 z	1
59	0300011008	VIS H 10 X25 Z DIN 933/8/8	Screw H M10x25 z	4
60	0300011014	VIS H 6/8 10X50/26 Z DIN931	Screw H M10x50 z	2
61	0300020804	VIS CHC 8 X 20 Z	Screw CHC M8x20 z	1
62	0300060304	VIS 3/8 TH24 UNF LG 70 Z	Screw 3/8 TH24 UNF Lg70	1
63	0300080405	VIS TOLE TETE POELIER D11 POZI Cr 4.2X16 Z	SCREW POZI 4.2X16Z	9
64	0300080604	VIS TRCC 6 X 60/20 Z Din603	SCREW TBCC M6X60 Z	1
65	0300090602	VIS AUTOTAR TH A EMB 6 X 16 Z	Screw HM6x16 z Self-tapping	12
66	0300401002	RONDELLE PLATE M 10X22X2 Z NFE 27611	PLATE WASHER M 10X22X2 Z NFE 27611	4
67	0300430601	RONDELLE CONTACT 6 BIC NFE 25-511	CONTACT WASHER 6	2
68	0300430801	RONDELLE CONTACT M8 NF E 25511	CONTACT WASHER 8	4
69	0300431001	RONDELLE CONTACT 10 BIC NFE 25-511	Elastic washer 10 Bic	1
70	0302020042	RONDELLE DE SERRAGE E 51	Blade washer	1
71	0300210602	ECROU FREIN M 6 Z DIN 985-8	BLOCKING NUT M 6 Z	2
72	0300210802	ECROU FREIN M 8 Z DIN 985-8	BLOCKING NUT HM 8 Z DIN 985/8	5
73	0300211001	ECROU FREIN M 10 Z DIN 985/8	BLOCKING NUT M 10 Z	6
74	0300260601	ECROU HM 6 ZEMB CR DIN 6923	NUT H M6 Z NOTCHED SHOULDER	3
75	0300260801	ECROU HM 8 ZEMB CR DIN 6923-8	NUT H M8 Z NOTCHED SHOULDER	7
76	0503000026	ETIQ MANETTE COUPE CIRCUIT	Engine brake label	1
77	0503000002	AUTO-COLLANT EMBRAY DEBRAY M Av	Forward movement stricker	1
78	0503000006	AUTO-COLLANT DANGER LAME 78 X	Label "danger sticker"	2
79	0503000049	PRECAUTIONS D'EMPLOI 65 X 175	Safety instructions label	1
80	0503000055	ETIQ REGL HAUT COUP xFST-XTRMx	Height cutting label	1
81	0503000043	ETIQ. GAZ (SS STOP)VERS PNEUM DIM 42X11	Label throttle control without stop	1
82	0503000044	ETIQ. GAZ HONDA GCV135/160 UM516 C	Label throttle control GCV	1