

REPAIR PARTS MANUAL
MODEL NO. PS15B97H (96011027101)
LAWN TRACTOR

Colombia

HOW TO USE THIS MANUAL

This manual is designed to provide the customer with a means to identify the parts on his/her tractor when ordering repair parts. The illustrations may or may not represent the actual assemblies; therefore, it is not recommended to use this manual as a guide to assemble or disassemble the tractor. Some hardware and parts are drawn larger in order to more readily identify them.

Each tractor has its own model number.

The model number for your tractor can be found on the fender under the seat.

When ordering parts, always give the following information:

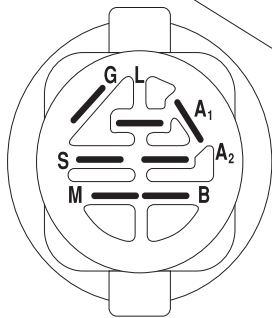
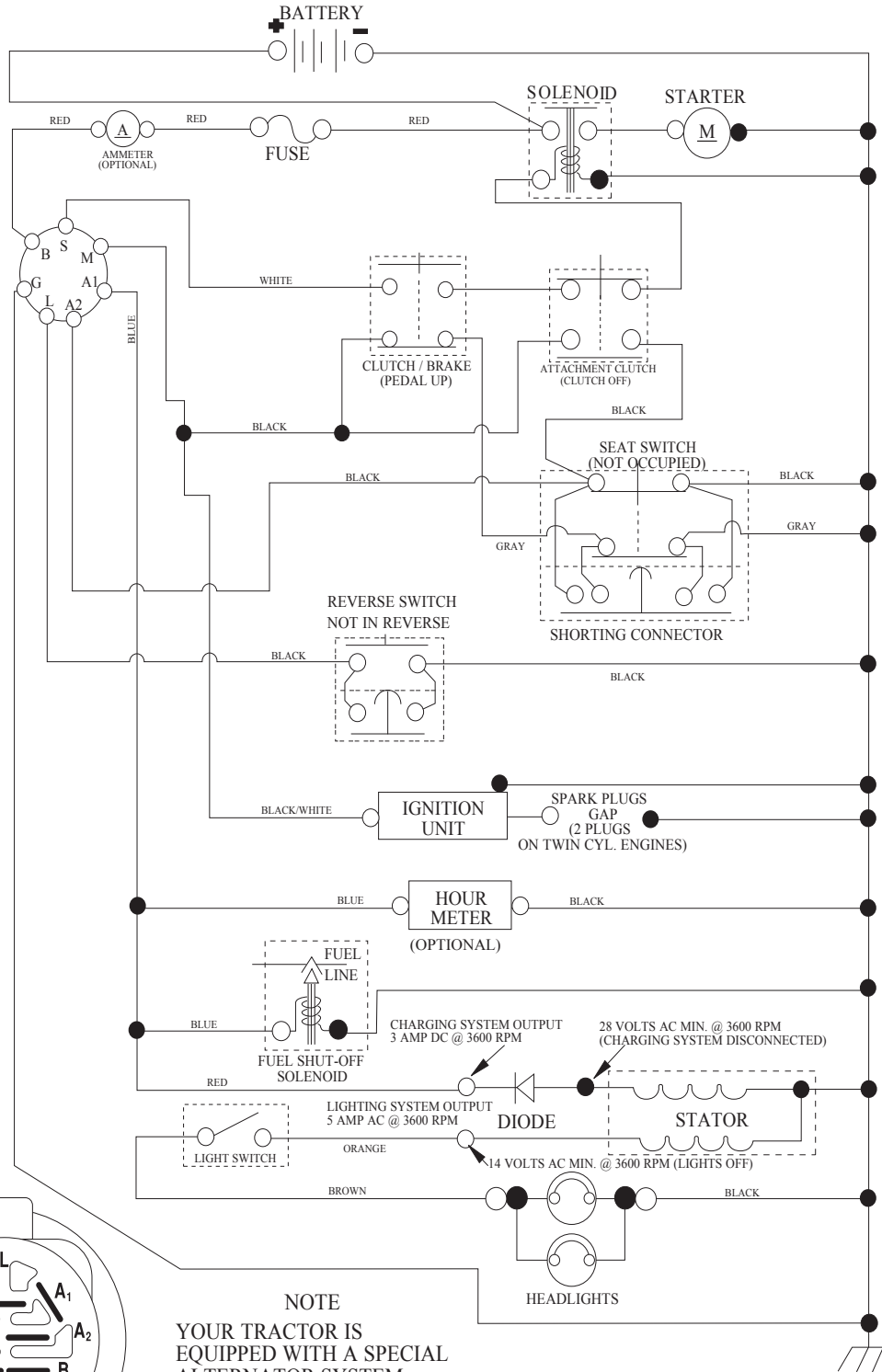
- Product - "LAWN TRACTOR"
- Model Number - "PS15B97H" (96011027101)
- Part Number
- Part Description

TABLE OF CONTENTS

SCHEMATIC	3
ELECTRICAL.....	4-5
CHASSIS AND ENCLOSURES.....	6-7
DRIVE.....	8-9
STEERING ASSEMBLY.....	10-11
ENGINE.....	12-13
SEAT	14
LIFT.....	15
MOWER DECK	16-17
DECALS	18

TRACTOR - MODEL NO. PS15B97H (96011027101), PRODUCT NO. 960 11 02-71 SCHEMATIC

SCH03



IGNITION SWITCH

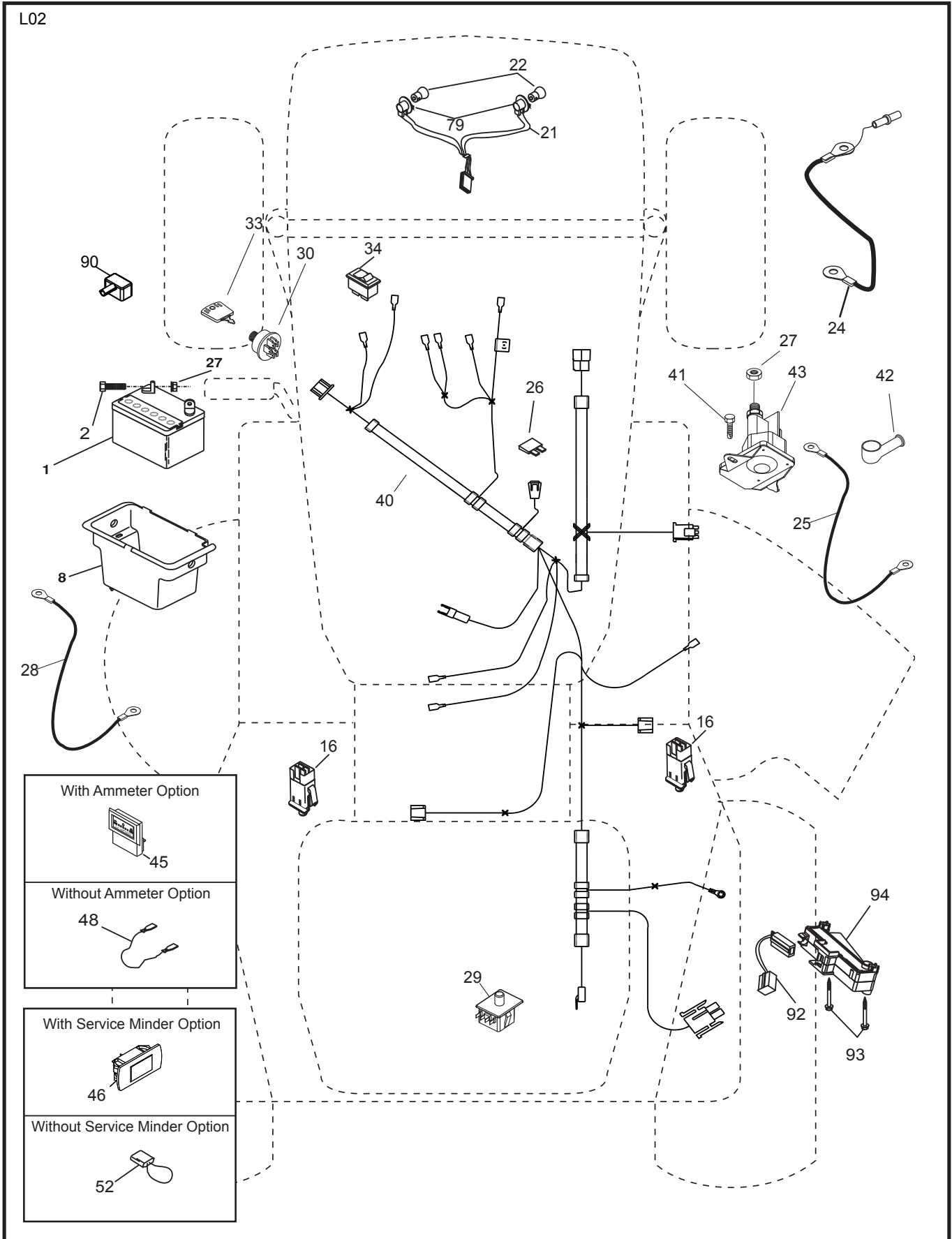
POSITION	CIRCUIT "MAKE"
OFF	M+G+A1
RUN/OVERRIDE	B+A1
RUN	B+A1 L+A2
START	B + S + A1

NOTE
YOUR TRACTOR IS EQUIPPED WITH A SPECIAL ALTERNATOR SYSTEM. THE LIGHTS ARE NOT CONNECTED TO THE BATTERY, BUT HAVE THEIR OWN ELECTRICAL SOURCE. BECAUSE OF THIS, THE BRIGHTNESS OF THE LIGHTS WILL CHANGE WITH ENGINE SPEED. AT IDLE THE LIGHTS WILL DIM. AS THE ENGINE IS SPEEDED UP, THE LIGHTS WILL BECOME THEIR BRIGHTEST.



WIRING INSULATED CLIPS
NOTE: IF WIRING INSULATED CLIPS WERE REMOVED FOR SERVICING OF UNIT, THEY SHOULD BE RE-INSTALLED TO PROPERLY SECURE YOUR WIRING.

**TRACTOR - MODEL NO. PS15B97H (96011027101), PRODUCT NO. 960 11 02-71
ELECTRICAL**

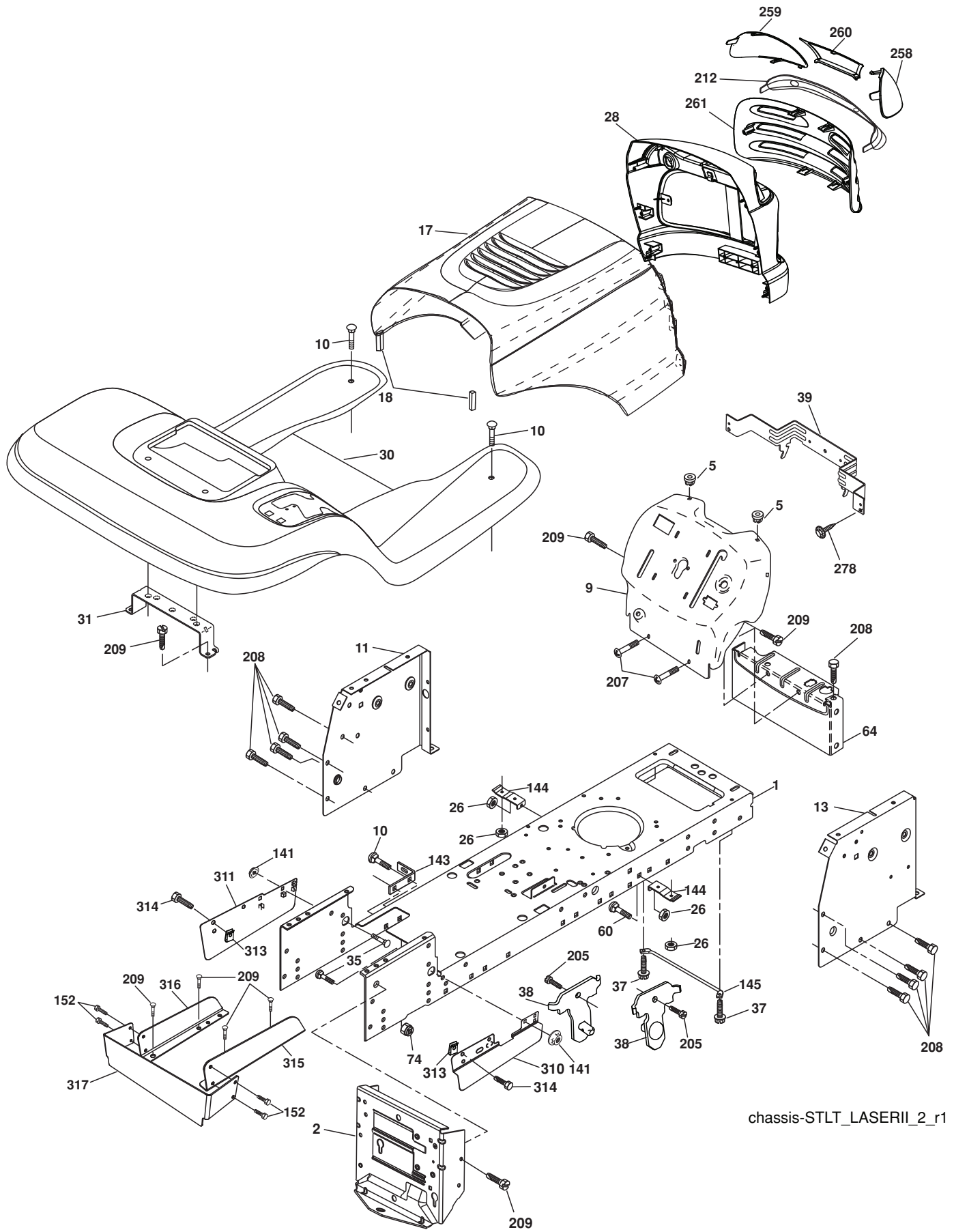


**TRACTOR - MODEL NO. PS15B97H (96011027101), PRODUCT NO. 960 11 02-71
ELECTRICAL**

KEY NO.	PART NO.	DESCRIPTION
1	532 16 34-65	Battery 12 Volt 25 AMP
2	874 76 04-12	Bolt Hex Hd 1/4-20 unc x 3/4
8	532 17 66-89	Box Battery
16	532 17 61-38	Switch Interlock Push-In
21	532 18 37-59	Harness Asm Light
22	532 00 41-52	Bulb Light
24	532 42 12-99	Cable Battery 8 Ga. 11" red
25	532 42 12-97	Cable Battery
26	532 17 51-58	Fuse 20 AMP
27	873 51 04-00	Nut Keps Hex 1/4-20 unc
28	532 42 12-98	Cable Ground 6 Ga. 12" black
29	532 19 27-49	Switch Seat
30	532 19 33-50	Switch Ign
33	532 41 19-35	Key/Chain
34	532 11 07-12	Light Switch
40	532 42 12-51	Harness Lt. Cable
41	871 11 04-08	Bolt Blk Fin Hex 1/4 - 20 x 1/2
42	532 13 15-63	Cover Terminal Red
43	532 19 25-07	Solenoid
45	532 12 14-33	Ammeter Rectangular
52	532 14 19-40	Protection Wire Loop
79	532 17 52-42	Socket Asm Bulb
90	532 18 04-49	Cover Terminal Battery
92	532 19 66-15	Harness Pigtail Consle ROS
93	532 19 25-40	Screw Plastic 10-14 x 2.0
94	532 19 18-34	Module Reverse ROS

NOTE: All component dimensions given in U.S. inches.
1 inch = 25.4 mm.

TRACTOR - MODEL NO. PS15B97H (96011027101), PRODUCT NO. 960 11 02-71
CHASSIS AND ENCLOSURES



chassis-STLT_LASERII_2_r1

**TRACTOR - MODEL NO. PS15B97H (96011027101), PRODUCT NO. 960 11 02-71
CHASSIS AND ENCLOSURES**

KEY NO.	PART NO.	DESCRIPTION
1	532 17 46-19	Chassis Stamping
2	532 17 65-54	Drawbar
5	532 15 52-72	Bumper Hood/Dash
9	532 19 68-36	Dash P/L
10	872 14 06-08	Bolt Carriage 3/8-16 x 1
11	532 17 49-96	Panel Dash Lh
13	532 18 17-19	Panel Dash Rh
14	817 49 06-08	Screw Thdrol 3/8-16 x 1/2
17	532 40 38-31	Hood
18	532 18 49-21	Bumper Hood
26	873 80 06-00	Nut Lock Hex W/Ins 3/8-16 unc
28	532 40 34-89	Grille/Lens (Includes key nos. 212,258,259,260 & 261)
30	532 40 38-32	Fender Footrest
31	532 13 99-76	Bracket Support Fender
35	872 11 06-06	Bolt Rdhd 3/8-16 x 3/4
37	817 49 05-08	Screw Thdrol 6/16-18 x 1/2 TYT
39	532 40 78-07	Bracket Pivot
38	532 17 57-10	Bracket, Asm. Pivot, Mower Rear
60	872 14 06-06	Bolt RDHD SQNK 3/8-16 UNC x 3/4
64	532 15 47-98	Dash Lower
74	873 68 06-00	Nut Crownlock 3/8-16 unc
141	873 90 06-00	Nut Lock 3/8-16 unc
142	532 17 57-02	Plate Reinforcement
143	532 18 66-89	Bracket Swaybar Chassis Notch
144	532 17 55-82	Bracket Footrest
145	532 40 91-67	Rod Pivot Hood
152	817 72 04-08	Screw 1/4-20 x 1/2
206	532 17 01-65	Bolt Shoulder 5/16-18 TT
207	817 67 05-08	Screw Thdrol 5/16-18 x 1/2
208	817 67 06-08	Screw Thdrol 3/8-16 x 1/2
209	817 00 06-12	Screw Hexwsh Thdr 3/8-16 x 3/4
212	532 18 42-48	Insert Lens
258	532 19 05-07	Lens RH Clear
259	532 19 05-08	Lens LH Clear
260	532 40 38-51	Cover Lens
261	532 19 05-05	Insert Grille
278	532 41 63-58	Screw #10 x 3/4 0.750 BOS Thread
310	532 42 27-66	Shield Lower RH
311	532 42 27-67	Shield Lower LH
313	532 19 66-88	Clips Threaded
314	532 13 77-29	Screw Thd Roll 1/4-20 x 5/8
315	532 42 27-68	Shield Upper RH
316	532 42 27-70	Shield Upper LH
317	532 42 27-73	Shield Rear
--	532 00 54-79	Plug Btn

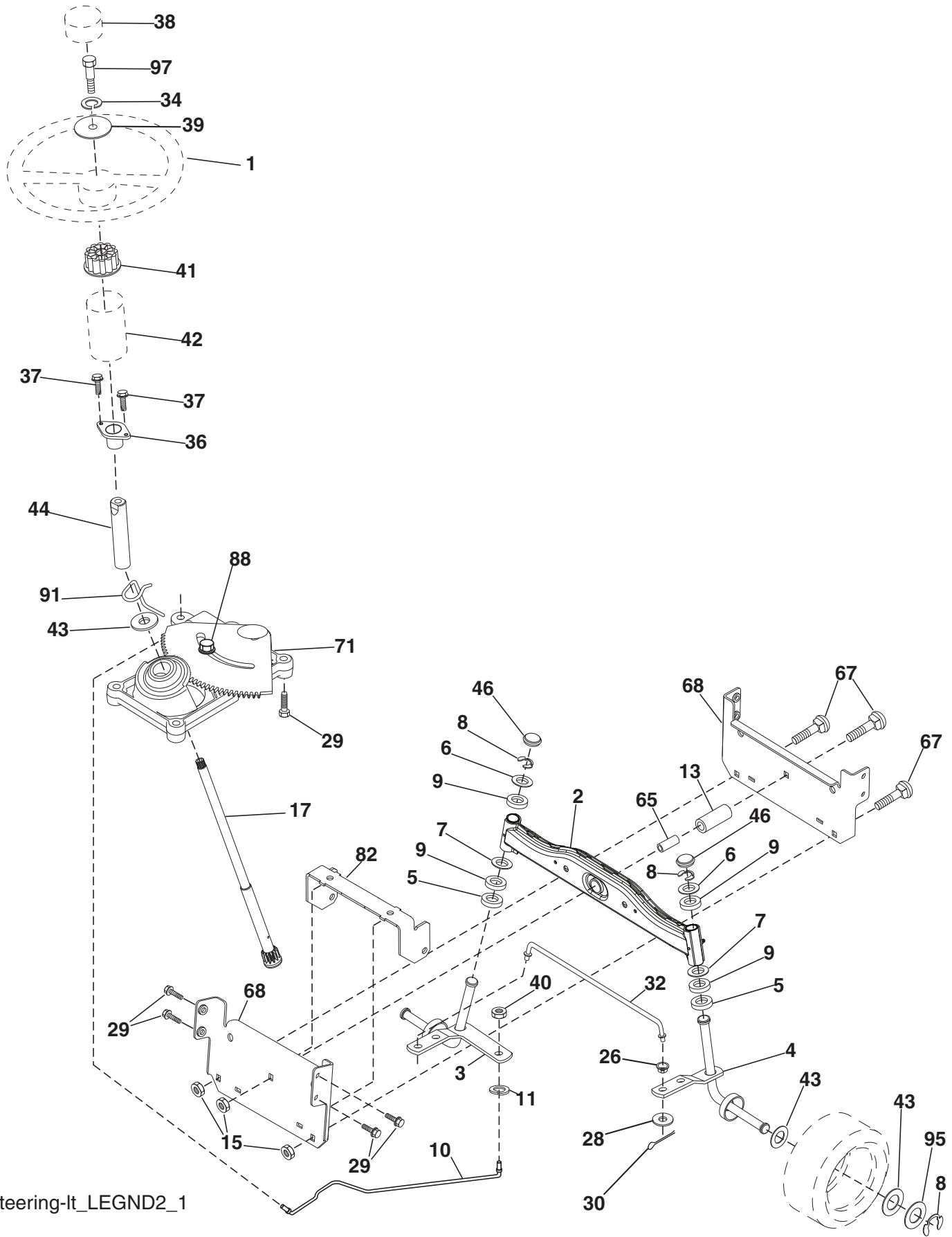
NOTE: All component dimensions given in U.S. inches
1 inch = 25.4 mm

TRACTOR - MODEL NO. PS15B97H (96011027101), PRODUCT NO. 960 11 02-71 DRIVE

KEY NO.	PART NO.	DESCRIPTION	KEY NO.	PART NO.	DESCRIPTION
1	-----	Transaxle, 322-0510 (Order Parts From Transaxle Manufacturer)	73	532 16 91-82	Strap Torque RH
8	532 19 25-02	Rod Shift Fender Adjust STLT	74	532 13 70-57	Spacer Axle
10	876 02 04-16	Pin Cotter 1/8 x 1 Cad	75	532 12 17-49	Washer 25/32 x 1 1/4 x 16 Ga.
14	810 04 04-00	Washer Lock Hvy Helical 1/4	76	812 00 00-01	E-ring #5133-75
15	874 49 05-44	Bolt 5/16-18 Gr. 5	77	532 12 35-83	Key Square 2 0 x 1845/ 1865
16	873 80 05-00	Nut Lock Hx W/Ins 5/16-18 unc Pl	78	532 12 17-48	Washer 25/32 x 1-5/8 x 16 Ga.
19	873 80 06-00	Nut Lock 3/8-16 unc	81	532 16 55-96	Shaft Asm Cross Tapered 18"
21	532 10 69-33	Knob	82	532 16 57-11	Spring Torsion T/a
22	532 16 94-98	Rod Brake Blk Zinc 26 840	83	819 17 12-16	Washer 17/32 x 3/4 x 16 Ga.
24	873 35 06-00	Nut Hex Jam 3/8-16 unc	84	532 16 98-43	Transaxle Link
25	532 10 68-88	Spring Rod Brake 2 00 Zinc	89	532 19 57-46	Console Shift STLT
26	819 13 13-16	Washer 13/32 x 13/16 x 16 Ga	95	532 17 02-01	Control Asm Bypass
27	876 02 04-12	Pin Cotter 1/8 x 3/4 Cad	96	532 12 47-88	Retainer Spring 1"
28	532 17 57-65	Rod Brake Parking LT/YT	103	873 94 08-00	Nut Hex Jam Toplock 1/2-20 UNF
29	532 07 16-73	Cap Brake Parking Black	112	819 09 12-10	Washer 9/32 x 3/4 x 10 Ga.
30	532 17 49-73	Bracket Mtg Transaxle	116	872 14 06-08	Bolt Rdhd Sq Neck 3/8-16 x 1
32	874 76 05-12	Bolt Hex Hd 5/16-18 unc x 3/4	120	873 90 06-00	Nut Lock Flg. 3/8-16
34	532 17 55-78	Shaft Asm Pedal Foot	150	532 17 54-56	Spacer Retainer
35	532 12 01-83	Bearing Nylon Blk 629 Id	151	819 13 32-10	Washer 13/32 x 2 x 10 Ga.
36	819 21 16-16	Washer 21/32 x 1 x 16 Ga	156	532 16 60-02	Washer Srrted 5/16 ID x 1.125
37	532 12 49-63	Pin Roll 3/16 x 1"	158	532 16 55-89	Bracket Shift Mount
38	532 17 91-14	Pulley Composite	159	532 18 39-00	Hub Shift
39	872 11 06-22	Bolt Rdhd 3/8-16 x 2-3/4 Gr. 5	161	872 14 04-06	Bolt Rdhd Sqnk 1/4-20 x 3/4 Gr. 5
41	532 17 55-56	Keeper Belt Idler Flat	162	873 68 04-00	Nut Crownlock 1/4-20 unc
47	532 12 77-83	Pulley Idler V Groove Plastic	163	874 78 04-16	Bolt Hex Fin 1/4-20 unc x 1 Gr. 5
48	532 15 44-07	Bellcrank Clutch Grnd Drv Stl	165	532 16 56-23	Bracket Pivot Lever
49	532 12 32-05	Retainer Belt Style Spring	166	817 49 05-10	Screw 5/16-18 x 5/8
50	872 11 06-12	Bolt Carr. sh 3/8-16 x 1-1/2 Gr. 5	168	532 16 54-92	Bolt Shoulder 5/16-18 x .561
51	873 68 06-00	Nut Crownlock 3/8-16 unc	197	532 16 96-13	Nyliner Snap-In 5/8" ID
52	873 68 05-00	Nut Crownlock 5/16-18 unc	198	532 16 95-93	Washer Nyl 7/8 Id x .105" Hyd
53	532 19 96-52	Link Clutch	199	532 16 96-12	Bolt Shoulcer 5/16-18 UNC
55	532 10 57-09	Spring Return Clutch 6 75	200	872 14 05-08	Bolt Rdhd Sqnk 5/16-18 UNC x 1
56	817 06 06-20	Screw 3/8-16 x 1-1/4	202	872 11 06-14	Bolt 3/8-16 x 1-3/4 Gr. 5
57	532 14 02-94	V-Belt	205	819 17 16-16	Washer 17/32 x 1 x 16 Ga.
62	532 12 48-72	Cover Pedal	212	532 14 52-12	Nut Hex Flg Lock
63	532 17 54-10	Engine Pulley	263	817 00 06-12	Screw 3/8-16 x 3/4
64	532 17 39-37	Bolt Hex	268	532 18 24-02	Guard Muffler
65	810 04 07-00	Washer Lock Hvy Hlcl Spr 7/16	275	819 13 16-14	Washer 13/32 x 1 x 14 Ga.
66	532 15 47-78	Keeper Belt Engine Foolproof			
69	532 14 24-32	Screw Hex Wsh Hi-Lo 1/4-1/2 unc			
70	532 13 46-83	Guide Belt Mower Drive RH			
71	532 16 91-83	Strap Torque LH			

NOTE: All component dimensions given in U.S. inches
1 inch = 25.4 mm

TRACTOR - MODEL NO. PS15B97H (96011027101), PRODUCT NO. 960 11 02-71
STEERING ASSEMBLY



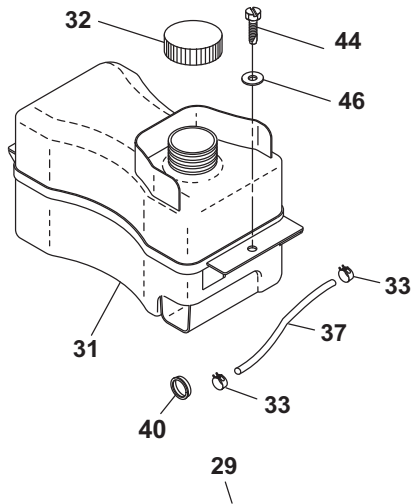
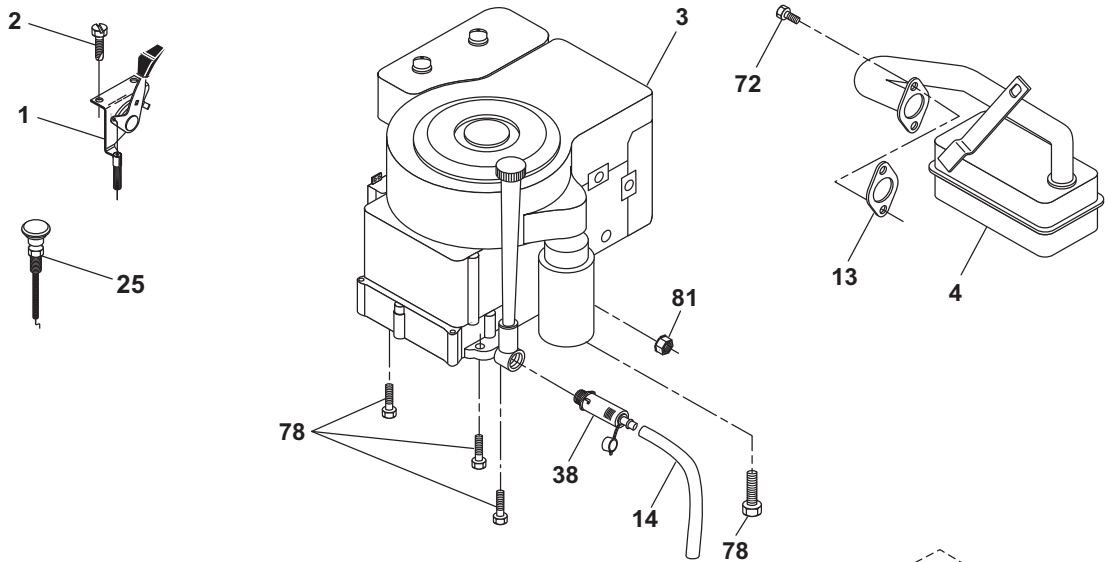
Steering-It_LEGND2_1

**TRACTOR - MODEL NO. PS15B97H (96011027101), PRODUCT NO. 960 11 02-71
STEERING ASSEMBLY**

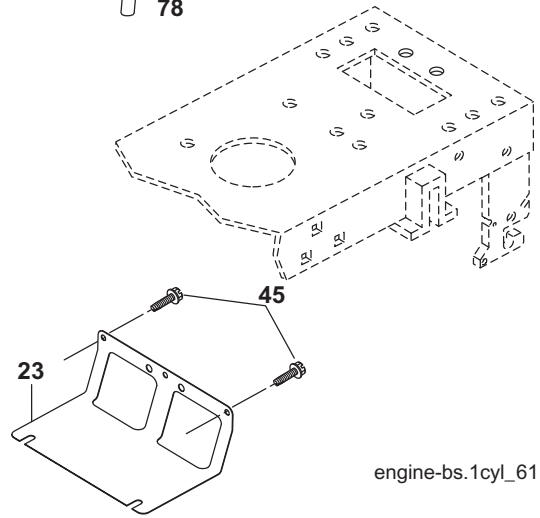
KEY NO.	PART NO.	DESCRIPTION
1	532 19 45-95	Wheel Steering
2	532 41 81-68	Axle Asm
3	532 16 98-40	Spindle Asm LH
4	532 16 98-39	Spindle Asm RH
5	532 12 49-31	Bearing Race Thrust Harden
6	532 12 17-48	Washer 25/32 x 1-5/8 x 16 Ga.
7	819 27 20-16	Washer 27/32 x 1-1/4 x 16 Ga.
8	812 00 00-29	Ring Klip #t5304-75
9	532 12 49-37	Bearing Col Strg Blk
10	532 17 51-21	Link Drag
11	810 04 06-00	Washer Lock Hvy Hlcl Spr 3/8
13	532 13 65-18	Spacer Brg Axle Front
15	532 14 52-12	Nut Hex Flange Lock
17	532 19 07-53	Shaft Asm Strg
26	532 12 68-47	Bushing Link Drag Blk LR
28	819 13 14-16	Washer 13/32 x 7/8 x 16 Ga.
29	817 00 06-12	Screw 3/8-16 x 3/4
30	876 02 04-12	Pin Cotter 1/8 x 3/4 Cad
32	532 19 27-57	Rod Tie
34	810 04 05-00	Washer Lock Hvy Hlcl Spr. 5/16
36	532 15 50-99	Bushing Strg
37	532 15 29-27	Screw
38	532 19 46-03	Insert Cap Strg Wh
39	819 11 38-12	Washer 11/32 ID x 2-3/8 OD 12 Ga.
40	873 54 06-00	Nut Crownlock 3/8-24
41	532 18 67-37	Adaptor Wheel Strg
42	532 16 96-33	Boot Steering Shaft
43	532 12 17-49	Washer 25/32 x 1-1/4 x 16 Ga.
44	532 19 07-52	Extension Steering Shaft
46	532 12 12-32	Cap Spindle Fr Top Blk
65	532 41 47-36	Spacer Brace Axle
67	872 11 06-18	Bolt, Rdhd Sqnk 3/8-16 x 2-1/4
68	532 16 98-27	Axle, Brace
71	532 17 51-46	Steering Asm.
82	532 19 99-78	Bracket Susp Chassis Front
88	532 17 51-18	Bolt Shoulder 7/16-20
91	532 17 55-53	Clip Steering
95	532 18 89-67	Washer Harden .793 x 1.637 x 060
97	874 78 05-64	Bolt 5/16-18 unc x 4"L Gr. 5

NOTE: All component dimensions given in U.S. inches.
1 inch = 25.4 mm.

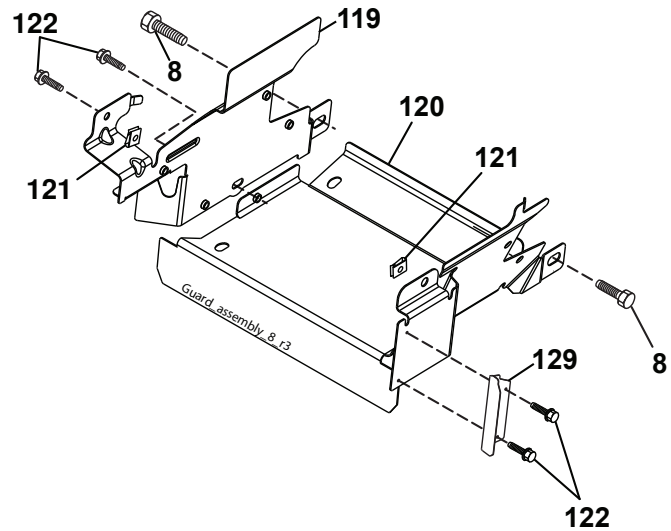
**TRACTOR - MODEL NO. PS15B97H (96011027101), PRODUCT NO. 960 11 02-71
ENGINE**



OPTIONAL EQUIPMENT
Spark Arrester



engine-bs.1cyl_61



TRACTOR - MODEL NO. PS15B97H (96011027101), PRODUCT NO. 960 11 02-71 ENGINE

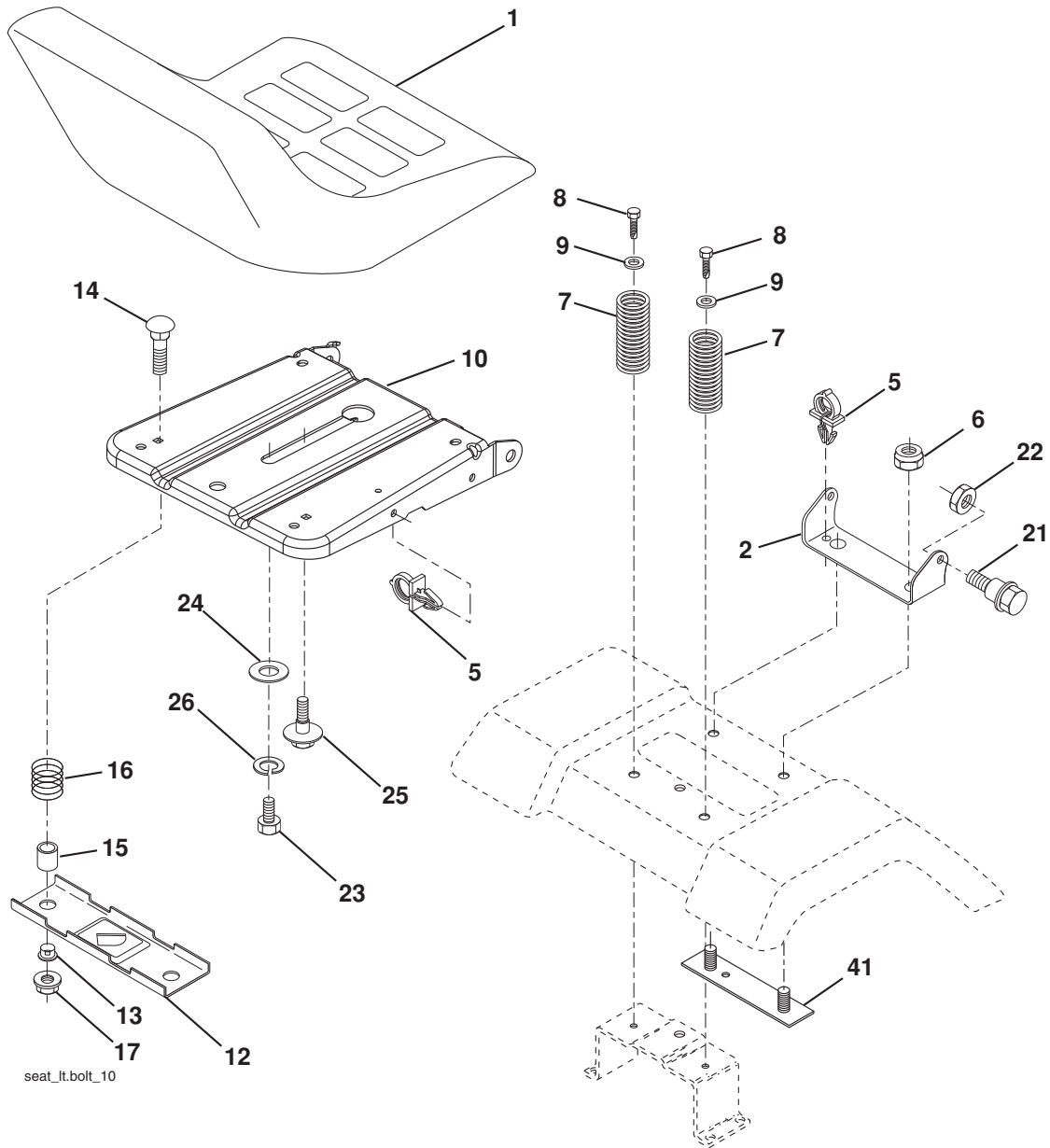
KEY NO.	PART NO.	DESCRIPTION	KEY NO.	PART NO.	DESCRIPTION
1	532 17 05-51	Control Th/ch Flag	38	532 18 16-54	Plug Drain Oil Easy
2	817 72 04-08	Screw Hex Thd Cut 1/4-20 x 1/2	40	532 12 40-28	Bushing Snap Nyl Blk Fuel Line
3	-----	Engine B&S Model No. 31A507 (Order Parts From Engine Manufacturer)	44	817 67 04-12	Screw Hexwsh Thdrol 1/4-20 x 3/4
4	532 13 73-52	Muffler LT B&S	45	817 00 06-12	Screw Hex Wsh Thdrol 3/8-16 x 3/4
8	532 17 18-77	Bolt 5/16-18 UNC x 3/4 w/Sems	46	819 09 14-16	Washer 9/32 x 7/8 x 16 Ga.
13	532 16 52-91	Gasket Eng 1 313 Id Tin Plated	72	532 19 23-34	Screw socket HD 5/16-18 x .75
14	532 14 84-56	Tube Drain Oil Easy	78	817 06 06-20	Screw 3/8-16x1-1/4
23	532 16 98-37	Shield Brn/Dbr Guard	81	873 51 04-00	Nut 1/4-20
25	532 19 06-95	Control Choke	119	532 19 79-49	Guard Eng LH
29	532 13 71-80	Kit Spark Arrestor (Flat Scrn)	120	532 19 79-48	Guard Eng RH
31	532 40 75-16	Tank Fuel Front	121	532 19 66-88	Clips Threaded
32	532 19 77-25	Cap Asm Fuel	122	532 13 77-29	Screw THD Roll 1/4-20 x 5/8
33	532 12 34-87	Clamp Hose Black	129	532 40 03-28	Guard Pulley Engine Adapter
37	532 13 70-40	Line Fuel 20"			

NOTE: All component dimensions given in U.S. inches
1 inch = 25.4 mm

Engine Power Rating Information

The gross power rating for individual gas engine models is labeled in accordance with SAE (Society of Automotive Engineers) code J11940 (Small Engine Power & Torque Rating Procedure), and rating performance has been obtained and corrected in accordance with SAE J1995 (Revision 2002-5). Actual gross engine power will be lower and is affected by, among other things, ambient operating conditions and engine-to-engine variability. Given both the wide array of products on which engines are placed and the variety of environmental issues applicable to operating the equipment, the gas engine will not develop the rated gross power when used in a given piece of power equipment (actual "on-site" or net horsepower). This difference is due to a variety of factors including, but not limited to, accessories (air cleaner, exhaust, charging, cooling, carburetor, fuel pump, etc.), application limitations, ambient operating conditions (temperature, humidity, altitude), and engine-to-engine variability. Due to manufacturing and capacity limitations, Briggs & Stratton may substitute an engine of higher rated power for this Series engine.

**TRACTOR - MODEL NO. PS15B97H (96011027101), PRODUCT NO. 960 11 02-71
SEAT ASSEMBLY**

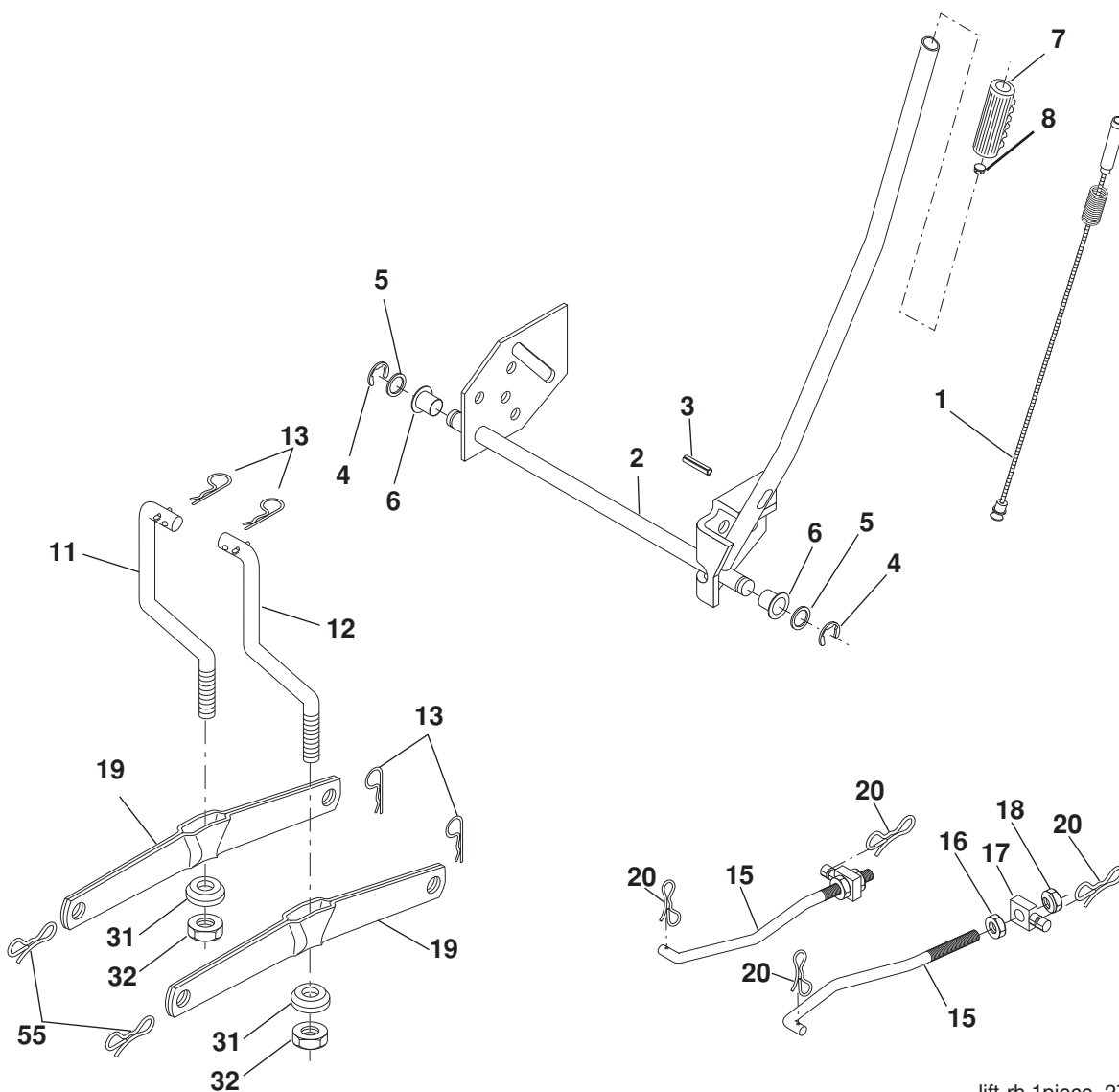


KEY NO.	PART NO.	DESCRIPTION
1	532 19 78-95	Seat
2	532 14 05-51	Bracket Pivot
5	532 14 50-06	Clip Push-In
6	873 80 06-00	Nut Hex w/Ins. 3/8-16 unc
7	532 12 41-81	Spring Seat Cprsn 2 250 Blk Zi
8	817 00 06-16	Screw 3/8-16 x 1-1/2
9	819 13 16-14	Washer 13/32 x 1 x 14 Ga.
10	532 19 55-30	Pan Seat
12	532 17 46-48	Bracket Mounting Switch
13	532 12 12-48	Bushing Snap Blk Nyl 50 Id
14	872 05 04-12	Bolt Rdhd Sqnk 1/4-20 x 1-1/2

KEY NO.	PART NO.	DESCRIPTION
15	532 13 43-00	Spacer Split 28 x 96 Yel Zinc
16	532 12 12-50	Spring Cprsn 1 27 Blk Pnt
17	532 12 39-76	Nut Lock 1/4 Lge Flg Gr. 5 Zinc
21	532 17 18-52	Bolt Shoulder 5/16-18 unc
22	873 80 05-00	Nut Hex Lock W/Ins 5/16-18
23	871 11 08-14	Bolt hex
24	819 17 19-12	Washer 17/32 x 1-3/16 x 12 Ga.
25	532 12 70-18	Bolt Shoulder 5/16-18 x .62
26	810 04 08-00	Washer Lock HVY HLCL SPR 1/2
41	532 14 06-75	Strap Asm.

NOTE: All component dimensions given in U.S. inches.
1 inch = 25.4 mm

**TRACTOR - MODEL NO. PS15B97H (96011027101), PRODUCT NO. 960 11 02-71
MOWER LIFT**



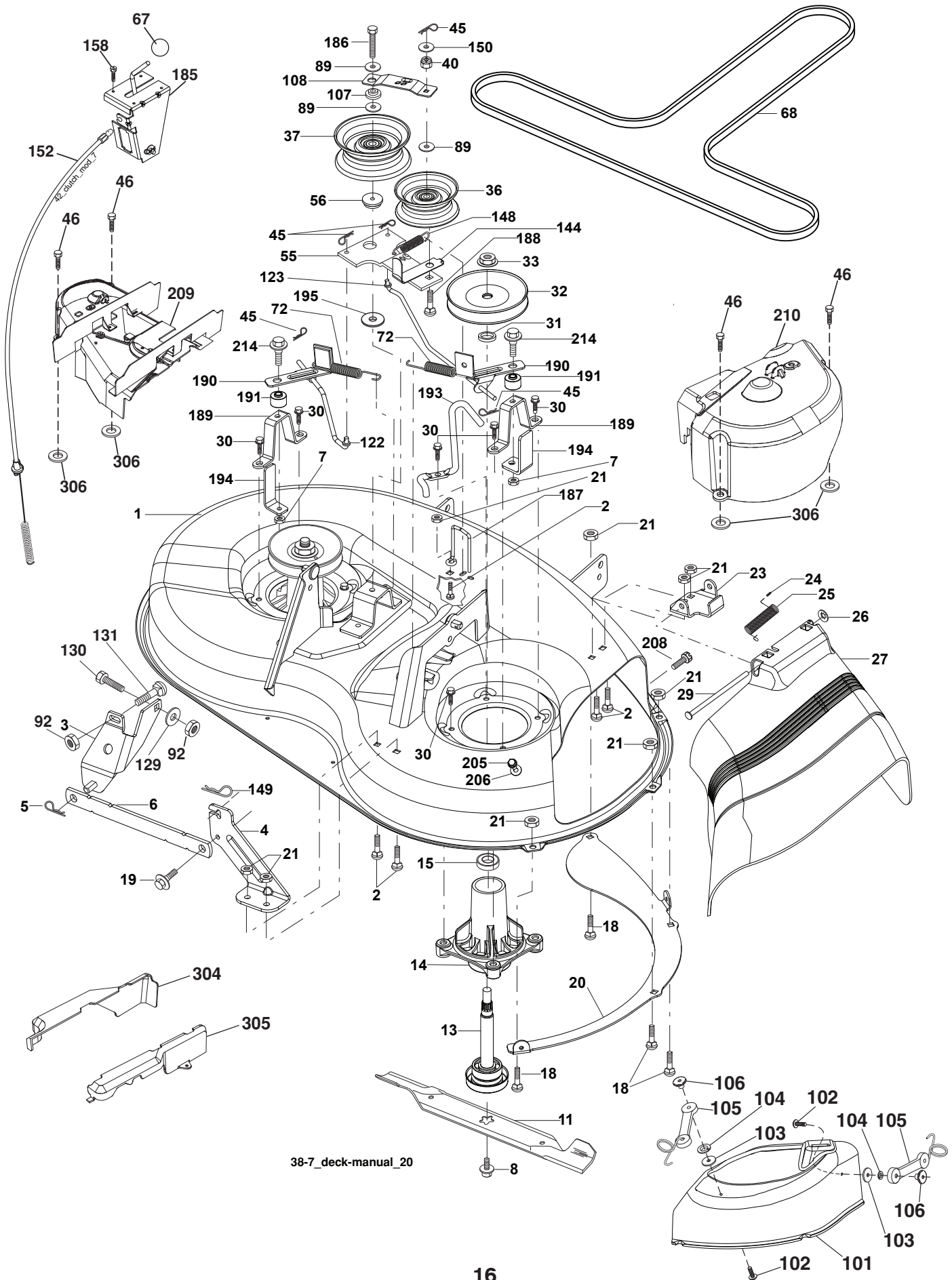
lift-rh.1piece_27

KEY NO.	PART NO.	DESCRIPTION
1	532 40 49-81	Plunger Asm. Lift
2	532 15 94-71	Shaft Asm Lift
3	532 10 57-67	Pin Groove
4	812 00 00-02	E Ring #5133-62
5	819 21 16-21	Washer PLTD 21/32 x 1 x 21 Ga.
6	532 12 01-83	Bearing Nylon Blk 629 Id
7	532 10 94-13	Grip Handle
8	532 12 45-26	Button Plunger Black
11	532 13 98-65	Link Lift LH
12	532 13 98-66	Link Lift RH
13	532 12 46-70	Retainer Spring
15	532 17 32-88	Link Front

KEY NO.	PART NO.	DESCRIPTION
16	873 35 08-00	Nut Jam Hex 1/2-13 unc
17	532 17 56-89	Trunnion
18	873 80 08-00	Nut Lock W/wsh 1/2-13 unc
19	532 13 98-68	Arm Suspension Rear
20	532 19 42-09	Spring, Retainer
31	532 16 98-65	Bearing Pvt. Lift
32	873 54 06-00	Nut Crownlock 3/8-24
55	532 19 42-08	Pin Cotter 5/16 Bowtie Lock

NOTE: All component dimensions given in U.S. inches
1 inch = 25.4 mm

**TRACTOR - MODEL NO. PS15B97H (96011027101), PRODUCT NO. 960 11 02-71
MOWER DECK**

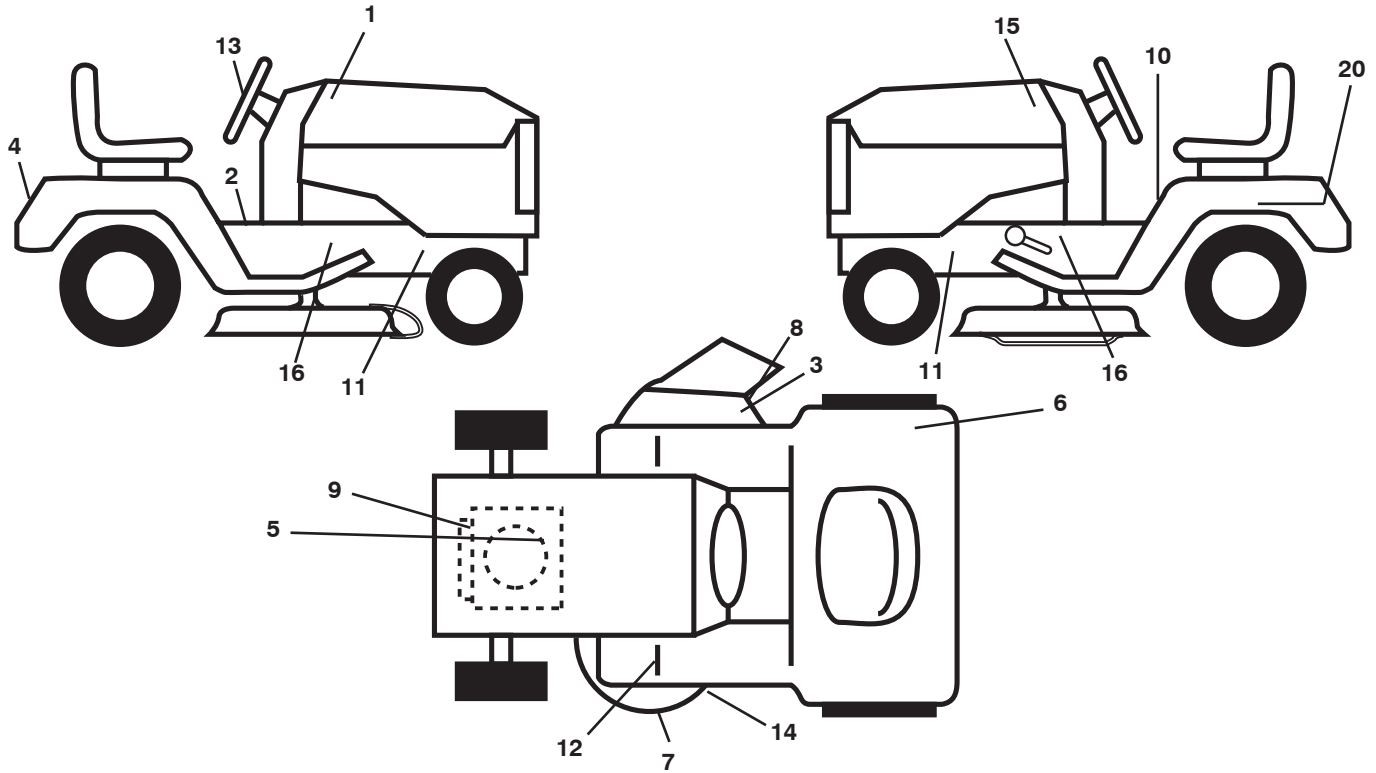


**TRACTOR - MODEL NO. PS15B97H (96011027101), PRODUCT NO. 960 11 02-71
MOWER DECK**

KEY NO.	PART NO.	DESCRIPTION	KEY NO.	PART NO.	DESCRIPTION
1	532 19 25-56	Mower Deck Assembly	107	532 13 35-02	Spacer, Retainer
2	872 14 05-06	Bolt	108	532 13 35-03	Stiffener, Idler Arm
3	532 13 80-17	Bracket Assembly, Sway Bar	122	532 41 01-89	Rod, Brake, LH Link
4	532 19 25-68	Bracket Sway Bar	123	532 41 01-90	Rod, Brake, RH Link
5	532 12 46-70	Retainer Spring	129	819 13 13-12	Washer 13/32 x 13/16 x 12 Ga.
6	532 17 80-24	Bar, Sway Deck	130	874 78 06-16	Bolt Fin Hex 3/8-16 unc x 1 Gr. 5
7	873 80 05-00	Nut Lock Hx W/Insert 5/16-18 unc	131	872 14 06-08	Bolt RdHd Sqnk 3/8-16 unc x 1
8	532 19 30-03	Bolt/Washer Asm. 7/16-20 unf	144	532 19 34-14	Keeper Idler Tension
11	532 19 39-57	Blade, Mower	148	532 16 90-22	Spring Return Idler
13	532 19 28-72	Shaft Assembly, Mandrel	149	532 16 58-98	Retainer Spring Yellow Zinc
14	532 18 72-81	Housing, Mandrel, Vented	150	819 09 12-10	Washer 9/32 x 3/4 x 10 Ga.
15	532 11 04-85	Bearing, Ball, Mandrel	152	532 19 32-35	Cable Clutch
18	872 14 05-05	Bolt Rdhd Sqnk 5/16-18 x 5/8	158	817 72 04-08	Screw Hex Thd Cut 1/4-20 x 1/2
19	532 13 28-27	Bolt, Shoulder	185	532 18 82-34	Head Asm Cable Clutch
20	532 40 00-95	Baffle Vortex Front	186	817 49 06-44	Screw Hxwsh Thdr 3/8-16 x 2-3/4
21	873 68 05-00	Nut Crownlock 5/16-18	187	532 19 34-12	Keeper Belt Front
23	532 19 25-57	Bracket, Mower Deflector	188	532 16 58-91	Bolt Carriage Idler
24	532 10 53-04	Cap, Sleeve	189	532 19 25-59	Brake Stand 38"
25	532 19 70-26	Spring, Torsion, Deflector	190	532 19 25-60	Brake Asm.
26	532 11 04-52	Nut, Push	191	532 19 25-61	Brake Spacer
27	532 40 16-18	Shield, Deflector	193	532 19 34-13	Keeper Belt RH Mandrel
29	532 13 14-91	Rod, Hinge	194	532 19 41-05	Brake Guard
30	532 17 39-84	Screw Thdrol	195	819 13 32-10	Washer 13/32 x 2 x 10 Ga.
31	532 18 76-90	Washer, Spacer	196	532 19 37-82	Bolt/Washer asm 5/16-18
32	532 15 35-32	Pulley, Mandrel	205	817 49 04-16	Screw 1/4-20 x 1.00 77
33	532 40 02-34	Nut, Toplock, Flanged	206	819 09 14-16	Washer 9/32 x 7/8 x 16 Ga.
36	532 13 14-94	Pulley, Idler, Flat	208	817 67 06-08	Screw Thdrol 3/8-16 x 1/2
37	532 19 31-98	Pulley Idler Flat	209	532 42 29-65	Cover Asm. Mandrel
40	873 68 06-00	Nut Crownlock 3/8-16	210	532 42 30-11	Cover Deck RH
45	532 12 47-88	Retainer, Spring	304	532 42 17-89	Shield Side Deck LH
46	532 13 77-29	Screw Thd Roll 1/4-20 x 5/8	305	532 42 17-90	Shield Side Deck RH
55	532 13 38-40	Idler Arm Assembly	306	532 42 30-62	Palnut 1/4
56	532 16 57-23	Spacer, Retainer	--	532 19 25-58	Brake Asm.
67	532 10 69-32	Knob RD 3/8-16 Plstc Thd	--	532 19 28-70	Mandrel Assembly (Includes Housing, Shaft and Shaft Hardware Only - Pulley Not Included)
68	532 19 32-14	Belt	--	532 19 36-46	Replacement Mower, Complete
72	532 19 32-16	Spring Brake Retainer			
89	819 13 13-11	Washer 13/32 x 13/16 x 11 Ga.			
92	873 80 06-00	Nut Lock Hex w/Ins. 3/8-16 unc			
101	532 19 25-73	Cover Mulching			
102	871 08 10-10	Screw Pan HD Phillip 10-24 x 5.8			
103	819 06 12-16	Washer #10			
104	810 07 10-00	Washer, Lock #10			
105	532 16 07-93	Latch Asm Mulch/Bagger			
106	532 12 50-04	Nut Weld			

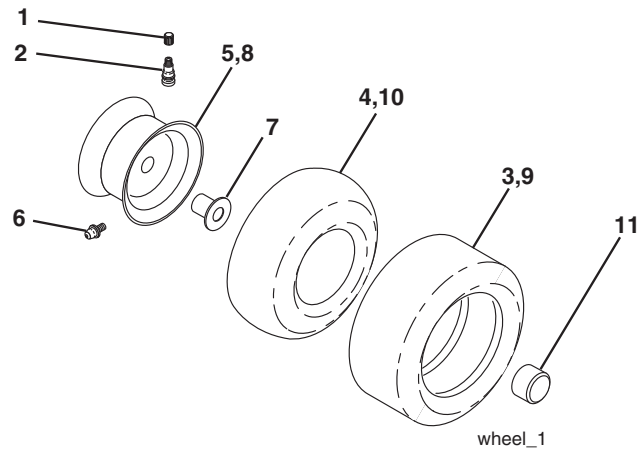
NOTE: All component dimensions given in U.S. inches
1 inch = 25.4 mm

**TRACTOR - MODEL NO. PS15B97H (96011027101), PRODUCT NO. 960 11 02-71
DECALS**



KEY NO.	PART NO.	DESCRIPTION	KEY NO.	PART NO.	DESCRIPTION
1	532 41 18-89	Decal Hood RH	13	532 41 18-95	Decal Steering
2	532 14 08-37	Decal Saddle Brake Parking	14	532 19 43-02	Decal V-Belt Schematic
3	532 19 63-57	Decal Deflector Warning	15	532 41 18-90	Decal Hood LH
4	532 41 18-97	Decal Fender	16	532 40 11-46	Decal Warning Service/Fire
5	532 41 67-25	Decal HP Engine	20	532 14 50-05	Decal Bat Dan/Psn
6	532 18 04-32	Decal 100DB/CE	--	532 16 69-60	Decal Bypass
7	532 13 49-99	Decal Deck Enviro	--	532 16 25-98	Decal Drawbar
8	532 18 21-66	Decal Mower Cutfinger	--	532 13 83-11	Decal Handle Lift Height Adjust
9	532 19 68-41	Decal Engine Warning Symbols	--	532 18 82-53	Pad Ftrest RH
10	532 40 03-89	Decal Warning Syms. CE	--	532 18 82-52	Pad Ftrest LH
11	532 15 97-36	Decal Chassis Hot Muffler	--	532 41 68-73	Manual Operator's (Euro.)
12	532 15 97-37	Decal Brake/ Clutch Symbol Lt	--	532 42 58-19	Manual Parts

WHEELS & TIRES



KEY NO.	PART NO.	DESCRIPTION
1	532 05 91-92	Cap Valve Tire
2	532 06 51-39	Stem Valve
3	532 10 62-22	Tire F Ts 15 x 6 0 - 6
4	532 05 99-04	Tube Front
5	532 13 83-36	Rim Asm 6" Front
6	532 12 49-57	Fitting Grease (Front Wheel Only)
7	532 12 49-59	Bearing Flange (Front Wheel Only)
8	532 13 83-37	Rim Asm 8" Rear
9	532 42 05-31	Tire R Ts 18 x 9.5-8 Turf Saver LT
10	532 12 49-26	Tube Rear
11	532 17 50-39	Cap Axle Blk 1 50 x 1 00
--	532 14 43-34	Sealant, Tire (10 oz. Tube)

NOTE: All component dimensions given in U.S. inches
1 inch = 25.4 mm

SERVICE NOTES

Colombia