



Bolens

Pièces détachées

**Tracteur
Plateau de coupe**

**STG125 (13048)
Plateau de coupe 14092**

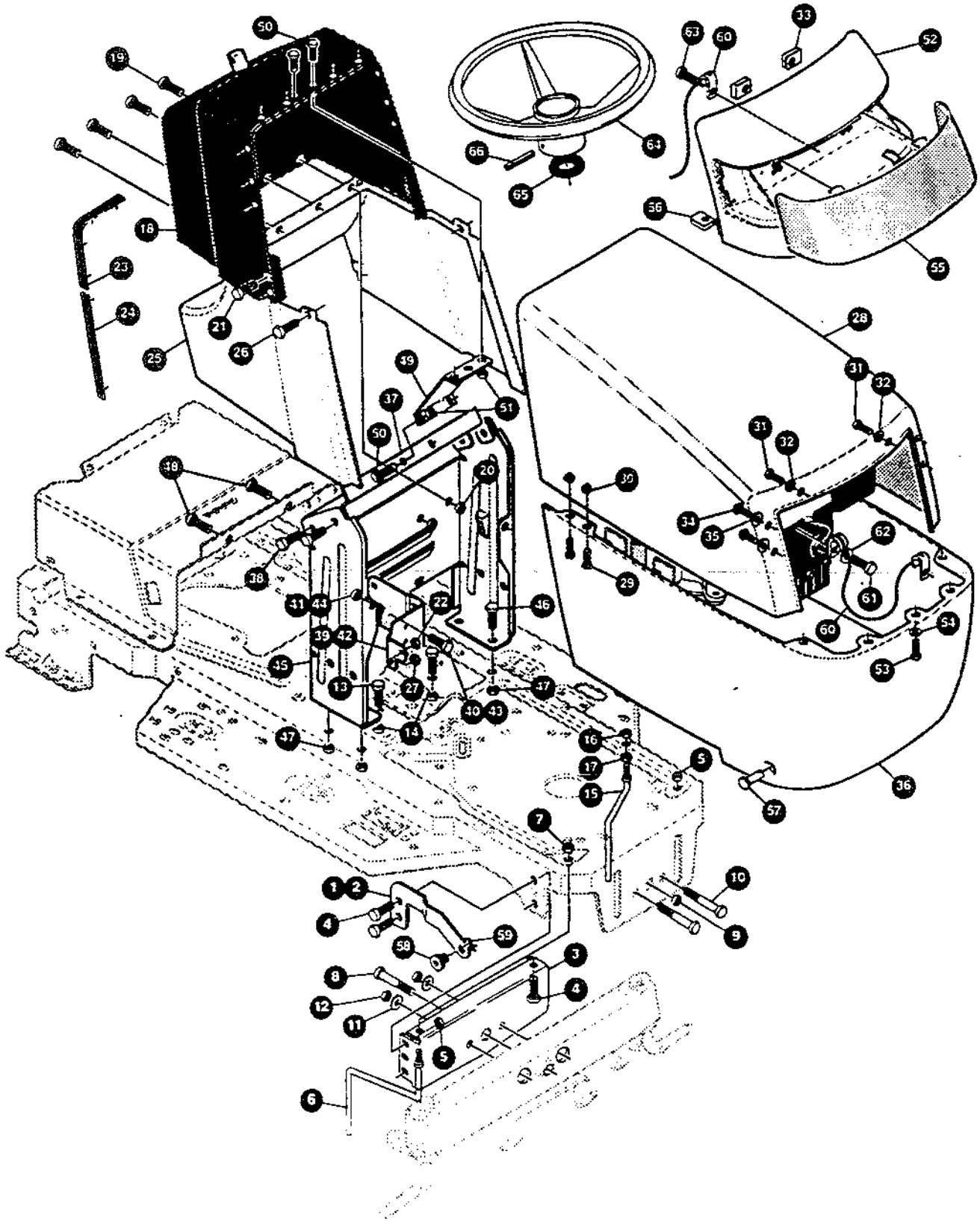


Yvon Béal 21, Av. de l'agriculture - B.P. 16
Z.I. du Bécot 63014 Clermont-Ferrand Cedex 2
Tél: 04 73 91 92 51 Télécopie: 04 73 90 23 11
www.yvonbeal.fr Email: info@yvonbeal.fr
R.C.B. 304 973 886 - SIREN 304 973 886

03-000294-050401

SUBURBAN TRACTOR MODEL 13048

CHASSIS & HOOD (FRONT)



NOTE: ALWAYS USE ORIGINAL EQUIPMENT PARTS. Use of service/replacement parts other than original equipment parts may void your warranty.

ALL UNNUMBERED ITEMS ARE INTERCHANGEABLE WITH OPPOSITE SIDE

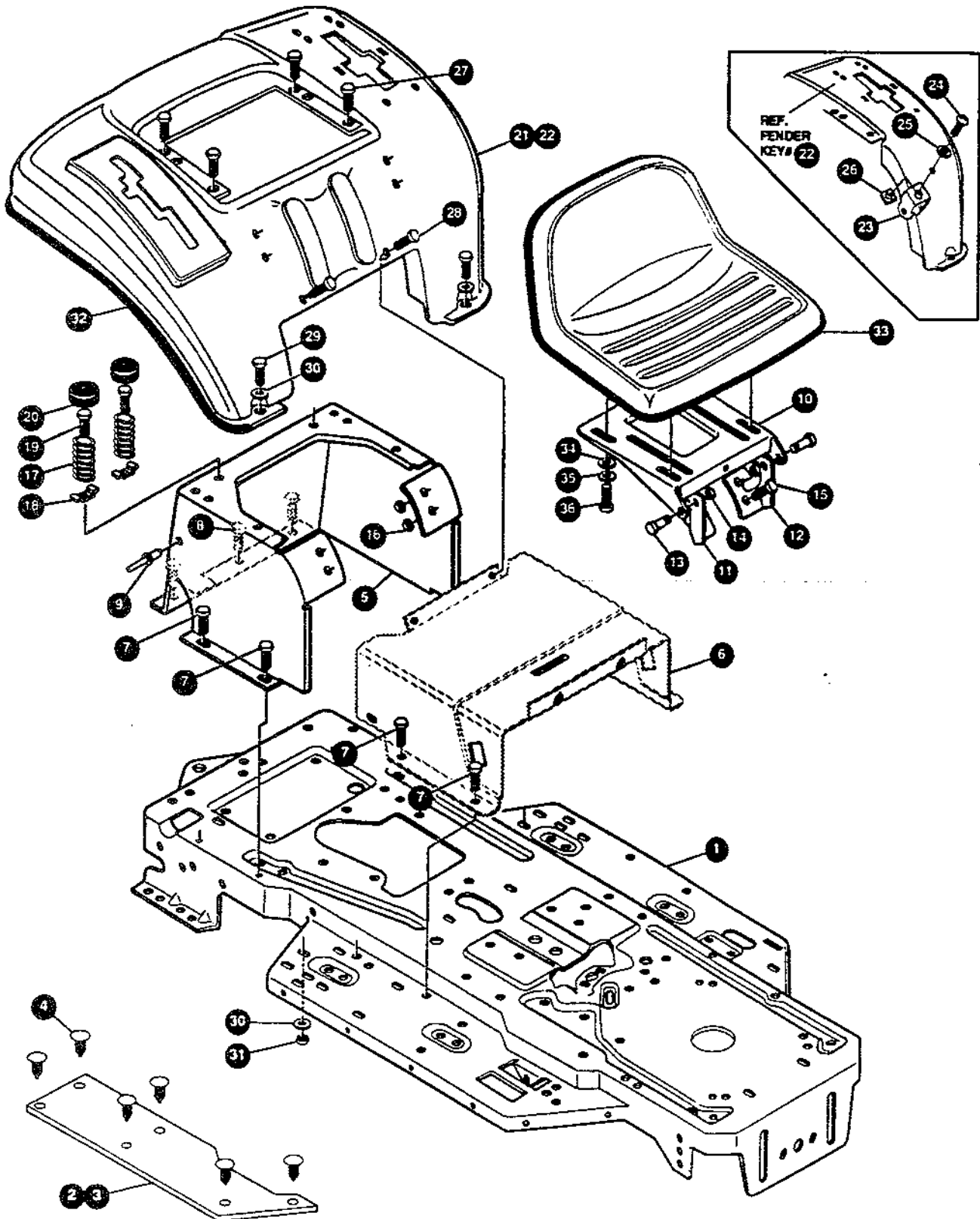
327645A

SUBURBAN TRACTOR MODEL 13048

key#	part#	description	qty.
1.	1830602	MP BRCKT,HOOD LF BOLENS RH	1
2.	1830603	MP BRCKT,HOOD LF BOLENS LH	1
3.	-1830517061	MP BRACKET, FRONT AXLE	1
4.	1830095	SCREW, 5/16-18X.75WDFLLK	5
5.	1830088	NUT, 5/16-18 HXWDFLLK	5
6.	1830252	GUIDE, BELT, RIDER	1
7.	1830005	NUT, 5/16-18 REGHEXCTRLK	1
8.	1830309	BOLT, 625X2.18 HSSH 1/2-13	1
9.	1830311	NUT, 1/2-13 HEXJAM CTRLK	1
10.	1830196	SCREW, 3/8-16X3.00 HHC	2
11.	1830010	WASHER, .39IDX1.25DX.07 BELLVIL	2
12.	1830006	NUT, 3/8-16 REGHXCTRLK	2
13.	1830175	SCREW, 5/16-18X .88 HHC	2
14.	1830005	NUT, 5/16-18 REGHEXCTRLK	2
15.	1830256	GUIDE,BELT SHORT 15" WHEEL	1
16.	1830197	NUT, 5/16-18 HEXJAM	1
17.	1830223	NUT, 3/8-16 HEXKEEPS	1
18.	1830541	DASH,W/O CHOKE,W/O AMM,H-PTO	1
19.	1830624	SCREW, 1/4-20X.75PHPNHDTAP	4
20.	1830070	NUT, 1/4-20 WDFLLK TOPLOCK	4
21.	1830601	SCREW, 10-24X .63 PHFLTMA	2
22.	1830605	NUT, #10-24 HXHONYLK	2
23.	1830606	BUMPER,HOOD/DASH TOP & CORNER	2
24.	1830604	BUMPER,HOOD/DASH SIDE STRIP	2
25.	1830607	DASH, LOWER BOLENS SKIRT	1
26.	1830419	SCREW, 1/4-20X .63 HHWATAP	2
27.	1830070	NUT, 1/4-20 WDFLLK TOPLOCK	2
28.	1830608040	'8' HOOD,LF H24	1
29.	1830211	SCREW, 1/4-20X .75 HHC	2
30.	1830625	NUT, 1/4-20 WDFL MAC-LOCK	2
31.	1830609	SCREW, 10-14X .63 HHWAPHTAPB-	2
32.	1830376	WASHER, FLAT .203X .56X.040	2
33.	1830610	CLIP, TINNEMAN C14810-10	2
34.	1830611	SCREW, 1/4-15X .62 HHWA H1LO	4
35.	1830626	WASHER, FLAT .281X1.00X.063PL	4
36.	1830612021	LT GRILL,SKIRT G-19 FOR B HOOD	1
37.	1830613001	MP SUPPORT,STEERING/PTO LF	1
38.	1830627	SCREW, 1/4-20X .38 WAHHTAP	4
39.	1830614001	BRACKET, DASH/TANK LF RH	1
40.	1830210	SCREW, 1/4-20X .62 HHC	1
41.	1830008	NUT, 1/4-20 REGHEXCTRLK	1
42.	1830615001	BRACKET, DASH/TANK LF LH	1
43.	1830210	SCREW, 1/4-20X .62 HHC	1
44.	1830008	NUT, 1/4-20 REGHEXCTRLK	1
45.	1830616001	MP DASH,TOWER WALK-THRU LF	1
46.	1830210	SCREW, 1/4-20X .62 HHC	3
47.	1830008	NUT, 1/4-20 REGHEXCTRLK	3
48.	1830420	SCREW, 1/4-20X .50 WAHHTAP	2
49.	1830616001	MP DASH,SUPPORT BRACKET STEEL	1
50.	1830210	SCREW, 1/4-20X .62 HHC	4
51.	1830008	NUT, 1/4-20 REGHEXCTRLK	4
52.	1830618040	'8' GRILLE, G-20	1
53.	1830609	SCREW, 10-14X .63 HHWAPHTAPB	5
54.	1830376	WASHER, FLAT .203X .56X.040	5
55.	1830619	LENS FOR '8' (G-20) GRILLE	1.
56.	1830610	CLIP, TINNEMAN C14810-10	5.
57.	1830628	PIN, CLEVIS .500 X .49/.51LGTH	2
58.	1830620	BRNG HOOD .505IDX.625ODX1.12FL	2
59.	1830013	PIN, HAIR .091 DIA X1.66LG	2
60.	1830621	LANYARD,HOOD 11.75LG H15 VANG.	1
61.	1830210	SCREW, 1/4-20X .62 HHC	2
62.	1830183	WASHER, REGSPTLK.263X.49X.07	1
63.	1830067	SCREW, 1/4-10X .75PHPNHTAPGR2BK	1
-----BOXED ITEMS-----			
64.	1830270	STEERING WHEEL	1
65.	1830622	SPACER, STEERING SHAFT	1
66.	1830416	PIN, SPRING.250DIA X2.00LG HVPL	1
67.	1830529	OPERATOR'S MANUAL ENGLISH (NOT SHOWN)	1
68.	1830532	OPERATOR'S MANUAL FRENCH (NOT SHOWN)	1
69.	1830533	OPERATOR'S MANUAL SPANISH (NOT SHOWN)	1
70.	1830534	OPERATOR'S MANUAL GERMAN (NOT SHOWN)	1
71.	1830535	OPERATOR'S MANUAL DUTCH (NOT SHOWN)	1
72.	1830536	OPERATOR'S MANUAL SWEDISH (NOT SHOWN)	1
73.	1830530	OPERATOR'S MANUAL ITALIAN (NOT SHOWN)	1
74.	1830537	PARTS MANUAL (NOT SHOWN)	1

SUBURBAN TRACTOR MODEL 13048

CHASSIS & HOOD (REAR)



NOTE: ALWAYS USE ORIGINAL EQUIPMENT PARTS. Use of service/replacement parts other than original equipment parts may void your warranty.

ALL UNNUMBERED ITEMS ARE INTERCHANGEABLE WITH OPPOSITE SIDE

327582A

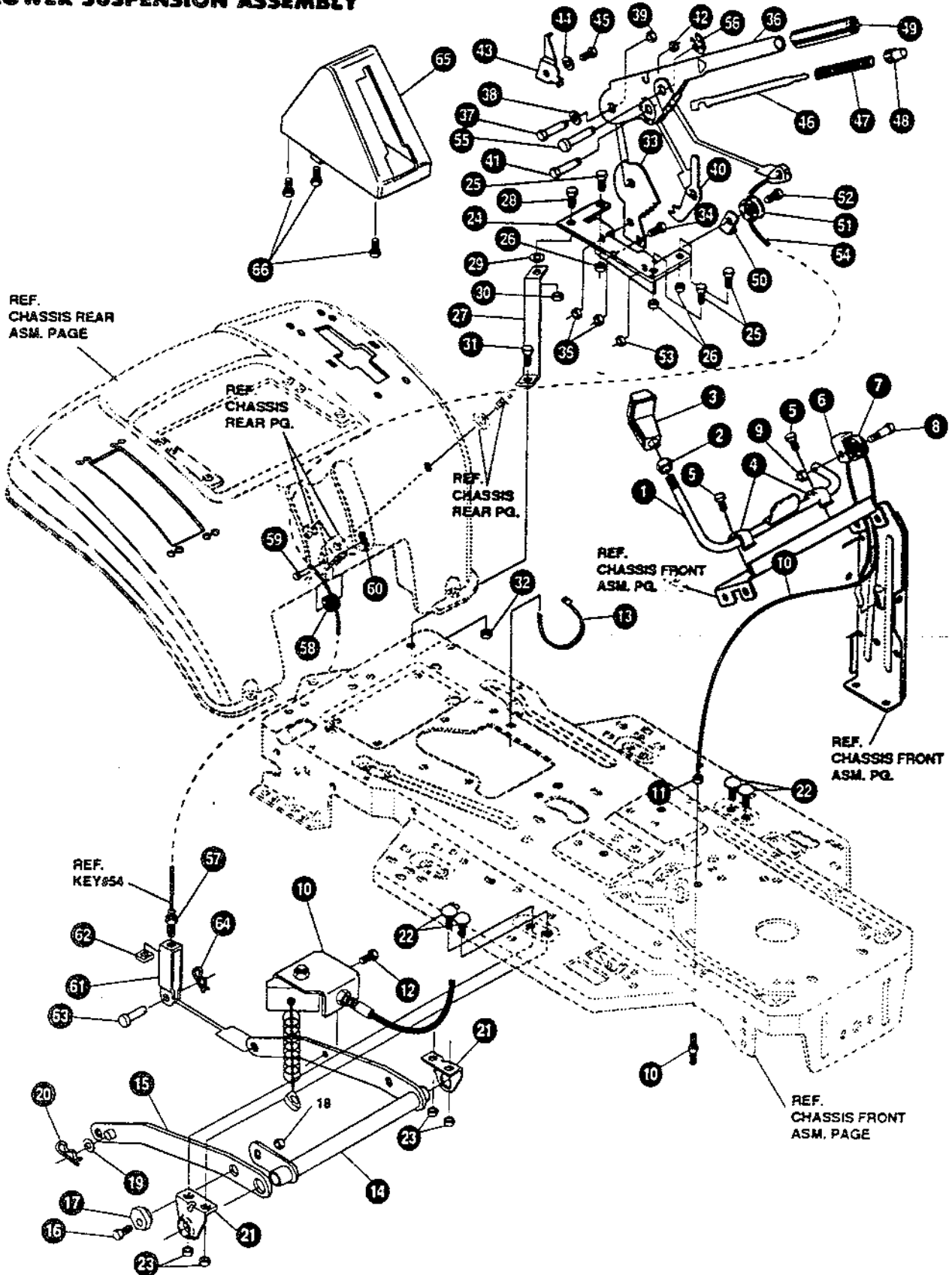
SUBURBAN TRACTOR MODEL 13048

key#	part#	description	qty.
1.	1830542001	MP FRAME,LF DRILLED P920/F4360	1
2.	1830316	FOOT PAD, LH	1
3.	1830317	FOOT PAD, RH	1
4.	1830312	FASTENER, RATCHET BLACK	12
5.	1830591021	SEAT/FNDR.SUPPORT WALK-THRU	1
6.	1830592021	CONSOLE,WALK-THRU	1
7.	1830420	SCREW, 1/4-20X .50 WAHHTAP	1
8.	1830041	SCREW, 5/16-18X .50 WAHHTAP	2
9.	1830060	RIVET, POP .187DIA X .450LG ST	3
10.	1830166001	MP PLATE,SEAT F5 SF,LF	1
11.	1830593001	MP BRACKET SEAT WALK-THRU RH	1
12.	1830594001	MP BRACKET SEAT WALK-THRU LH	1
13.	1830031	BOLT, .437X .156 HSH 5/16-18	2
14.	1830005	NUT, 5/16-18 REGHEXCTRLK	2
15.	1830066	SCREW, 5/16-18X .63WAHHC GR2	4
16.	1830005	NUT, 5/16-18 REGHEXCTRLK	4
17.	1830108	SPRING,SEAT 2.63LG,1.49OD	2
18.	1830003	ML CLAMP, SPRING 1.17"ID	2
19.	1830053	SCREW, 1/4-20X .75 HXWATAP	2
20.	1830106	COVER,SEAT SPRING 1.51DX1.0LG	2
21.	Ø	FENDER ASSEMBLY	1
22.	1830595040	MP,FENDER,WALK-THRU CONSOLE	1
23.	1830623	ML CLEVIS	1
24.	1830482	SCREW, 5/16-18X .56PHPNMA BKPH	1
25.	1830274	WASHER,.344IDX1.50DX.09	1
26.	1830180	NUT, 5/16-18 SQ	1
27.	1830420	SCREW, 1/4-20X .50 WAHHTAP	4
28.	1830041	SCREW, 5/16-18X .50 WAHHTAP	2
29.	1830583	SCREW, 5/16-18X1.00 HHC	2
30.	1830415	WASHER, FLAT .375X .88X.082	4
31.	1830005	NUT, 5/16-18 REGHEXCTRLK	2
32.	1830087	TRIM,STRIP,BLACK—SMALL,W/ ADH	77.5°
-----BOXED ITEMS-----			
33.	1830124	SEAT,MICHIGAN 7X7.50 W/SW	1
34.	1830186	WASHER, FLAT .344X .69X.065	4
35.	1830189	WASHER, HVSPTLK .328X.60X.09	4
36.	1830194	SCREW, 5/16-18X .75 HHC	4

Ø ORDER INDIVIDUAL PARTS

SUBURBAN TRACTOR MODEL 13048

MOWER SUSPENSION ASSEMBLY



NOTE: ALWAYS USE ORIGINAL EQUIPMENT PARTS. Use of service/replacement parts other than original equipment parts may void your warranty.

ALL UNNUMBERED ITEMS ARE INTERCHANGEABLE WITH OPPOSITE SIDE

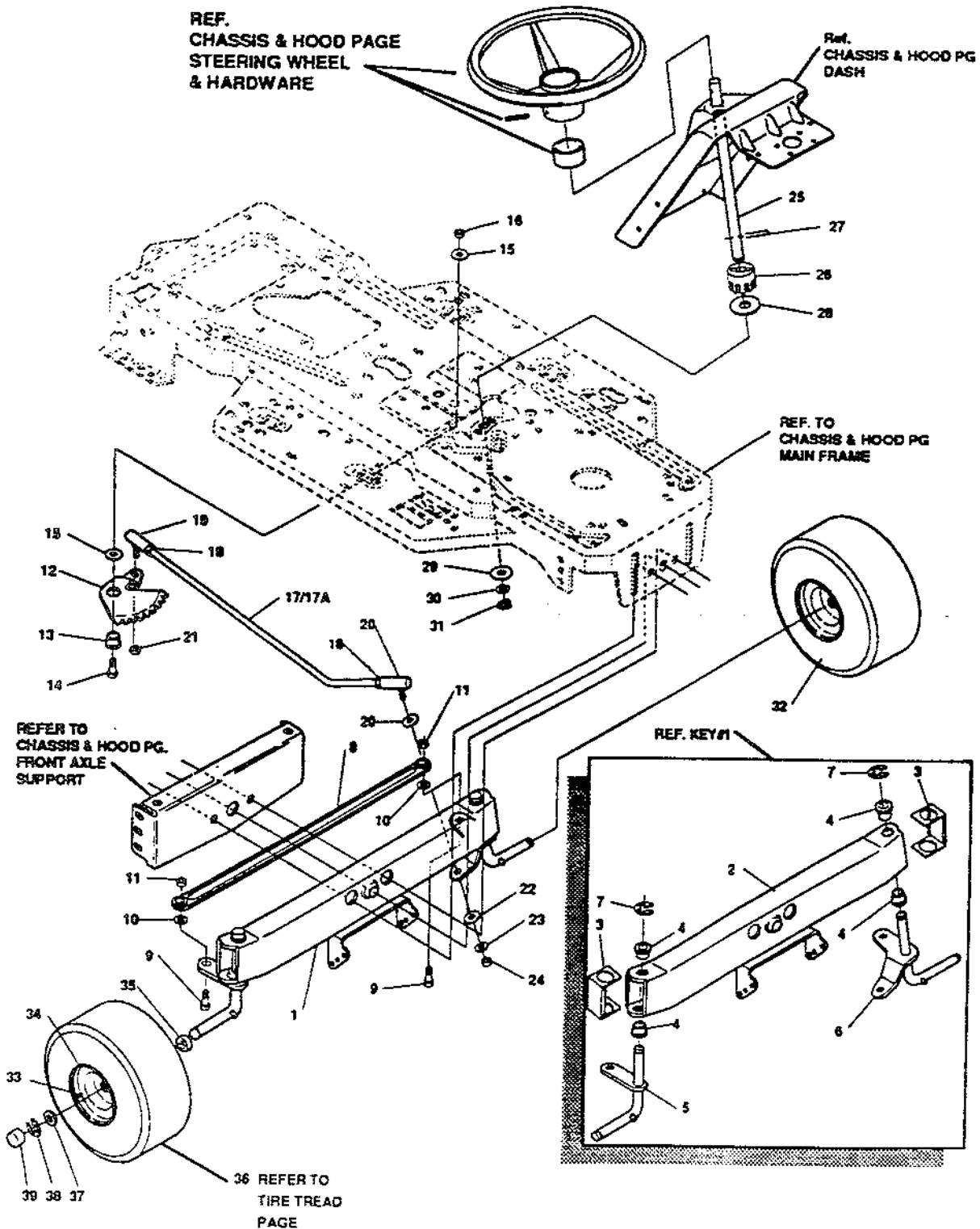
327579A

SUBURBAN TRACTOR MODEL 13048

key#	part#	description	qty.
1	1830543	LEVER WELD ASM, PTO	1
2	1830176	NUT, 1/2-13 HEXJAM	1
3	1830475	KNOB, SHIFT NOMA 1/2-13	1
4	1830476	CLIP, RETAINING BRKT	2
5	1830419	SCREW, 1/4-20X .63 WAHTAP	2
6	1830002	BRKT, CABLE RETAINER	1
7	1830064	PULLEY, .906X.305 NYLON	1
8	1830477	BOLT, .375X .375 HSSH 1/4-20	1
9	1830008	NUT, 1/4-20 REGHEXCTRLK	1
10	1830544	ASSY.PTO. CABLE LF H 25 1820653	1
11	1830188	NUT, 1/4-28 HJAM	1
12	1830042	SCREW, 5/16-18X .75 WAHTAP	1
13	1830123	TIE, CABLE BLACK NYLON 5.62	1
14	1830017001	ASSY.REAR LIFT	1
15	1830016001	ASSY.LINK, RIGHT SIDE	1
16	1830214	SCREW, 5/16-18X1.00 HHC	1
17	1830147	ADJUSTING NUT	1
18	1830005	NUT, 5/16-18 REGHEXCTRLK	1
19	1830413	WASHER, FLAT .531X1.06X.095	2
20	1830013	PIN, HAIR .091 DIA X1.66LG	2
21	1830015001	BRKT, REAR, HANG, SUSP.	2
22	1830199	BOLT, 5/16-18X .63 CARR	4
23	1830005	NUT, 5/16-18 REGHEXCTRLK	4
24	1830161	BRACKET, HGT/ADJUST SUPPORT	1
25	1830213	SCREW, 5/16-18X .75 HHC	3
26	1830005	NUT, 5/16-18 REGHEXCTRLK	3
27	1830248021	BRACE, FENDER F-5 SUS	1
28	1830214	SCREW, 5/16-18X1.00 HHC	1
29	1830055	WASHER, FLAT .333X .87X.119	1
30	1830005	NUT, 5/16-18 REGHEXCTRLK	1
31	1830214	SCREW, 5/16-18X1.00 HHC	1
32	1830005	NUT, 5/16-18 REGHEXCTRLK	1
33	1830268	QUADRANT, HEIGHT ADJUST	1
34	1830213	SCREW, 5/16-18X .75 HHC	2
35	1830005	NUT, 5/16-18 REGHEXCTRLK	2
36	1830481001	HANDLE, LIFT SHORT	1
37	1830233	BOLT, .500X .270 HSSH 5/16-18	1
38	1830421	WASHER, FLAT .506X .75X.024	1
39	1830052	NUT, 5/16-18 HWDFLCTRLK	1
40	1830269	PAWL, HEIGHT ADJUST	1
41	1830233	BOLT, .500X .270 HSSH 5/16-18	1
42	1830052	NUT, 5/16-18 HWDFLCTRLK	1
43	1830024	POINTER	1
44	1830203	WASHER, EXLK .195X.41X.03	1
45	1830038	SCREW, #8-32X .38 HHWATAP	1
46	1830288	ROD, ACTUATOR-SHORT -	1
47	1830159	SPRING, HEIGHT ADJUST	1
48	1830158	KNOB, HGT ADJ PUSH BUTTON	1
49	1830160	GRIP, .750 OD W/ HOLE	1
50	1830162	BRKT, CABLE RETAIN	1
51	1830045	PULLEY, .906X.305 NYLON	1
52	1830163	BOLT, .375X .375 HSSH 1/4-20	1
53	1830008	NUT, 1/4-20 REGHEXCTRLK	1
54	1830250	CABLE, LIFT 21.70 F-5 20X8-8	1
55	1830242	PIN, CLEVIS .310DIA+.475LG	1
56	1830243	RING, RET E .31X.24	1
57	1830181	NUT, 1/4-20 REGHEX	1
58	1830064	PULLEY, .906X.305 NYLON	1
59	1830245	PIN, CLEVIS .375 DIA. X .81 LG Z	1
60	1830013	PIN, HAIR .091 DIA X1.66 LG	1
61	1830023	ML CLEVIS, LIFT, CABLE	1
62	1830179	NUT, 1/4-20 REGSCA	1
63	1830046	PIN, CLEVIS .312 X .812	1
64	1830192	PIN, COTTER .090/.086X.75LG	1
65	1830247	LIFT COVER-39" F5	1
66	1830249	SCREW, #10 X .75 HHPLAST	3

SUBURBAN TRACTOR MODEL 13048

STEERING ASSEMBLY



NOTE: ALWAYS USE ORIGINAL EQUIPMENT PARTS. Use of service/replacement parts other than original equipment parts may void your warranty.

ALL UNNUMBERED ITEMS ARE INTERCHANGEABLE WITH OPPOSITE SIDE

315316F

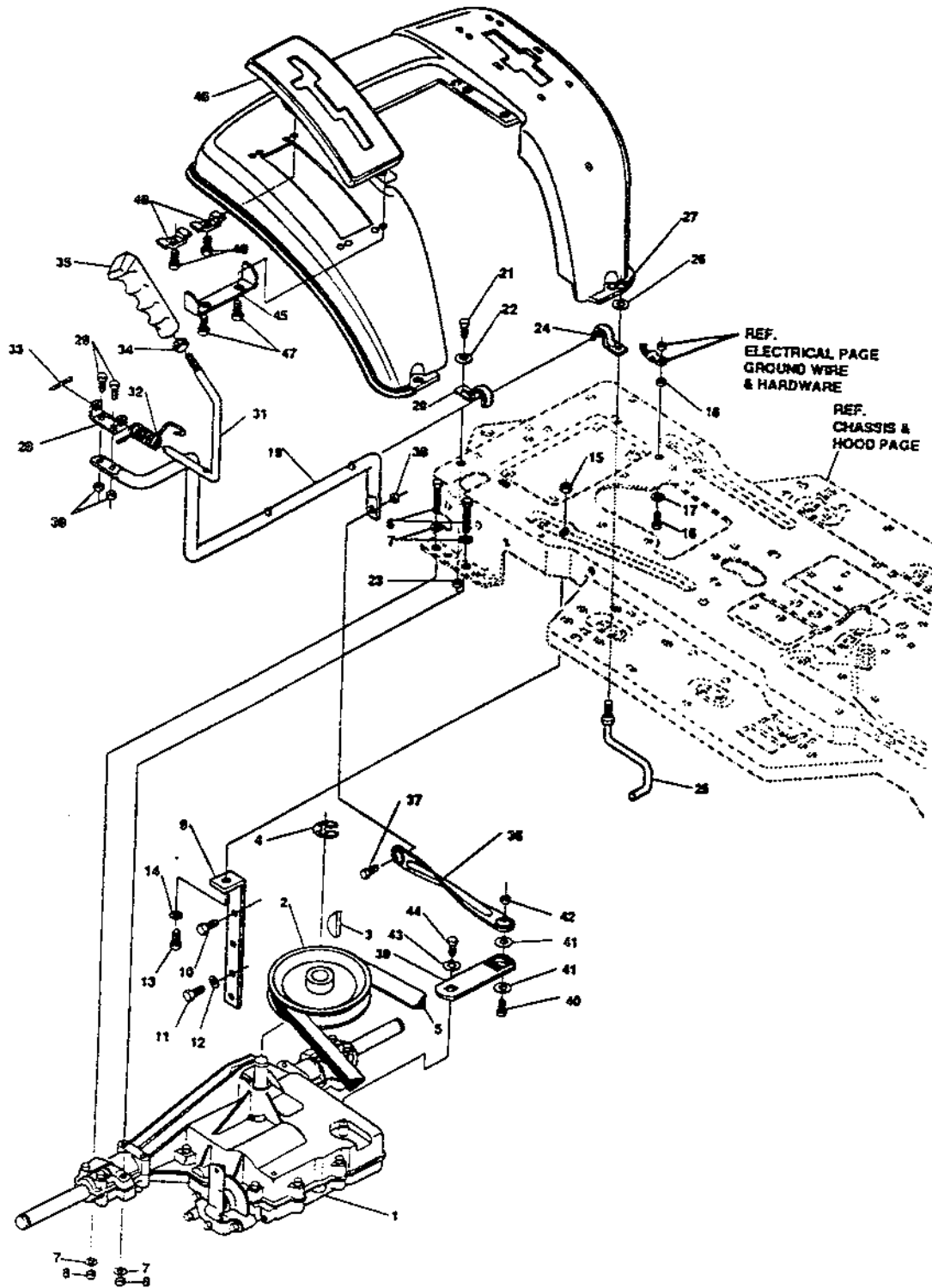
SUBURBAN TRACTOR MODEL 13048

key#	part#	description	qty.
1	*	ASSY, AXLE FRONT	1
2	1830237	AXLE, FRONT	1
3	1830083001	AXLE COVER	2
4	1830078	SPINDLE BEARING	4
5	1830286	SPINDLE RH	1
6	1830364	SPINDLE LH	1
7	1830044	RING, RETEX .57X.05TRU5133-75	2
8	1830299	TIE ROD ASSY 19.81LG	1
9	1830217	SCREW, 3/8-16X1.75 HHC	2
10	1830184	WASHER, REGSPTLK.393X.68X.10	2
11	1830182	NUT, 3/8-16 REGHEX	2
12	1830153	SECTOR, STEERING LF	1
13	1830077	BRNG, FL ECC.510IDX .998ODX .56	1
14	1830218	SCREW, 1/2-13X1.50 HHC	1
15	1830036	WASHER, FLAT .515X1.38X.119	2
16	1830007	NUT, 1/2-13 REGHCTRLK	1
17	1830632	DRAGLINK ASSEMBLY	1
17A	1830154	STEERING LINK	1
18	1830198	NUT, 3/8-24 REGHEXJAM	2
19	1830110	BALL JOINT 3/8 THD SHORT STUD	1
20	1830033	BALL JOINT 3/8 TH'D LONG STUD	1
21	1830057	NUT, 3/8-24 WDFLHLK	1
22	1830633	WASHER, FLAT .531X1.06X.095	2
23	1830184	WASHER, REGSPTLK.393X.68X.10	1
24	1830178	NUT, 3/8-24 REGHEX	1
25	1830145	SHAFT, STEERING LF	1
26	1830146	PINION, STEERING LF	1
27	1830151	PIN, DOWEL .2500 OD+.175 <i>1187614</i>	1
28	1830272	BRNG, FL .752IDX1.061ODX .24	1
29	1830271	WASHER, FORMED1.135X1.53X.12	1
30	1830034	WASHER, FLAT .765X1.25X.042	1
31	1830044	RING, RETEX .57X.05TRU5133-75	1
32	*	TIRE & RIM, PU 15X6.0X6	2
33	1830094	VALVE STEM	1
34	1830105	WHEEL W/BRG.	1
35	1830137	BEARING, FL1.38OD+.753ID	1
36		REFER TO TIRE TREAD PAGE	1
37	1830000	WASHER, FLAT .755X1.31X.075	4
38	1830044	RING, RETEX .57X.05TRU5133-75	2
39	1830049	CAP, 1.500ID X 7/8LG HUB	2

* Order Individual Parts

SUBURBAN TRACTOR MODEL 13048

MOTION DRIVE ASSEMBLY



NOTE: ALWAYS USE ORIGINAL EQUIPMENT PARTS.
Use of service/replacement parts other than original equipment parts may void your warranty.

**ALL UNNUMBERED
ITEMS ARE INTERCHANGEABLE
WITH OPPOSITE SIDE**

327635A

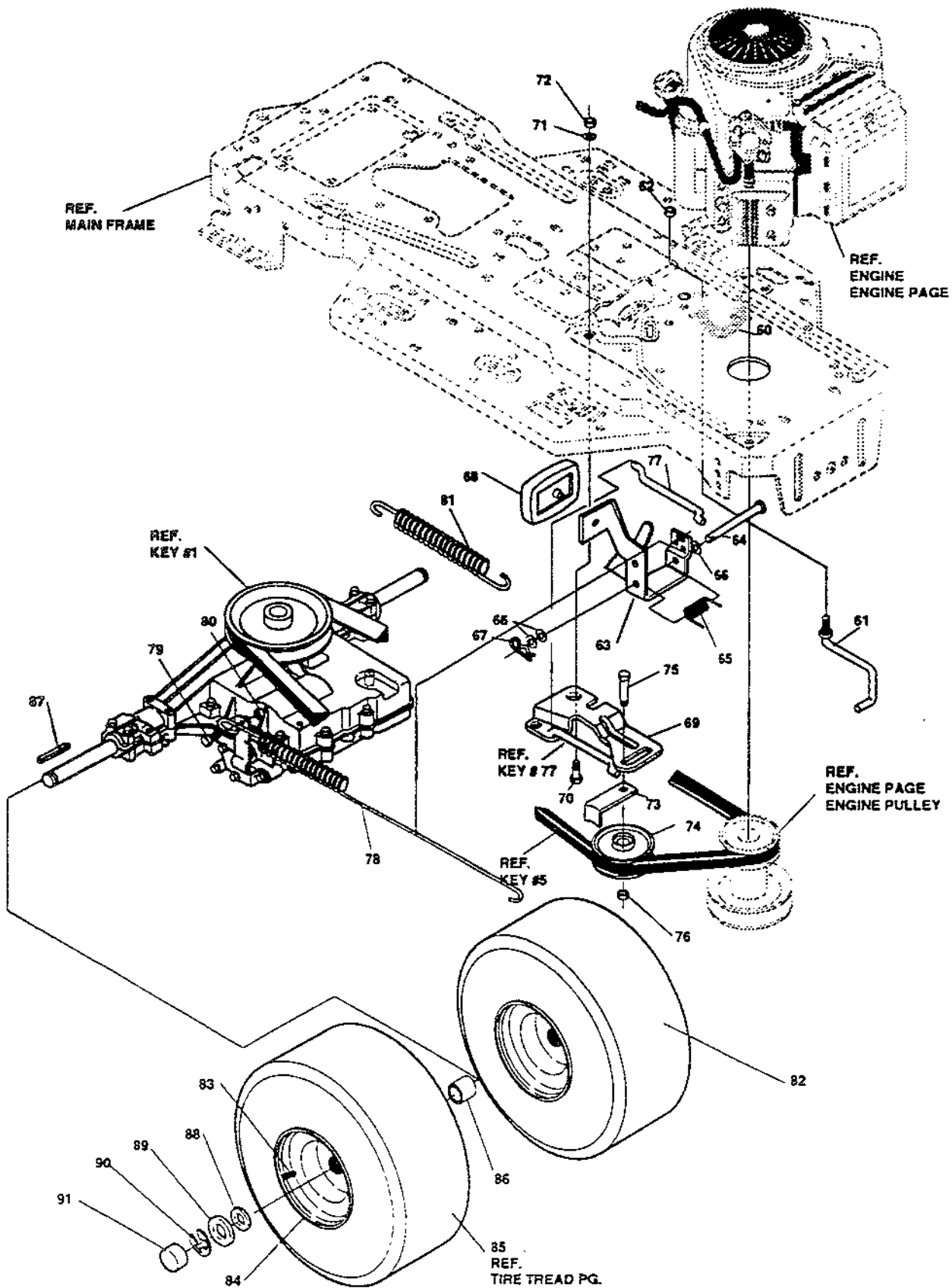
SUBURBAN TRACTOR MODEL 13048

key#	part#	description	qty.
1	*	TRANSAXLE LF P930-5 930.005	1
2	1830282	PULLEY	1
3	1830012	KEY, WDRF 606 .750X.187X.312	1
4	1830035	RING, RETEX .58X.04TRU5100-62	1
5	1830345	BELT	1
6	1830215	SCREW, 5/16-18X2.25 HHC	4
7	1830186	WASHER, FLAT .344X.69X.065	8
8	1830005	NUT, 5/16-18 REGHEXCTRLK	4
9	1830484	MF STABILIZER BRKT P920,F4150	1
10	1830075	SCREW, 3/8-16X1.25 WAHTAP	1
11	1830042	SCREW, 5/16-18X .75 WAHTAP	2
12	1830189	WASHER, HVSP TLK .328X.60X.09	2
13	1830583	SCREW, 5/16-18X1.00 HHC	1
14	1830186	WASHER, FLAT .344X.69X.065	1
15	1830005	NUT, 5/16-18 REGHEXCTRLK	1
16	1830194	SCREW, 5/16-18X .75 HHC	1
17	1830206	WASHER, REGINTLK.320X.61X.03	1
18	1830005	NUT, 5/16-18 REGHEXCTRLK	1
19	1830380	LEVER, SHIFT LWR 4360 LF	1
20	1830322001	CLIP-SHIFT LEVER .62 ROD	1
21	1830213	SCREW, 5/16-18X .75 HHC	1
22	1830421	WASHER, FLAT .391X1.00X.125	1
23	1830005	NUT, 5/16-18 REGHEXCTRLK	1
24	1830322001	CLIP-SHIFT LEVER .62 ROD	1
25	1830116	GUIDE, BELT 5/16-18THD	1
26	1830421	WASHER, FLAT .391X1.00X.125	1
27	1830005	NUT, 5/16-18 REGHEXCTRLK	1
28	1830323	PIVOT BRKT LEVER	1
29	1830210	SCREW, 1/4-20X .62 HHC	2
30	1830008	NUT, 1/4-20 REGHEXCTRLK	2
31	1830314	LEVER, SHIFT UPPER SF 1/2-13TH	1
32	1830320	SPRING, TORS. .56X.95X.095	1
33	1830202	PIN, COTTER .125 DIA X1.00LG	1
34	1830176	NUT, 1/2-13 HEXJAM	1
35	1830306	HANDLE 1/2-13 MOLDED	1
36	1830351	LINK TIE ROD SHIFTER P930-6 LF	1
37	1830216	SCREW, 3/8-16X1.25 HHC	1
38	1830006	NUT, 3/8-16 REGHXCTRLK	1
39	1830315	BRACKET, SHIFT 5SP SF FEN HT	1
40	1830216	SCREW, 3/8-16X1.25 HHC	1
41	1830187	WASHER, FLAT .406X .81X.065	2
42	1830006	NUT, 3/8-16 REGHXCTRLK	1
43	1830109	WASHER, .750X.250 SP-TRANSAXLE	1
44	1830096	SCREW, 1/4-28X .75 NYLHHC	1
45	1830338001	BRACKET COVER	1
46	1830330	COVER PLASTIC	1
47	1830332	SCREW, 1/4-15X .44/.53 HILOHHWA	2
48	1830003	CLAMP SPRING	2
49	1830332	SCREW, 1/4-15X .44/.53 HILOHHWA	2

* CONTACT YOUR NEAREST PEERLESS DEALER FOR PARTS AND SERVICE.

SUBURBAN TRACTOR MODEL 13048

MOTION DRIVE ASSEMBLY



NOTE: ALWAYS USE ORIGINAL EQUIPMENT PARTS.
Use of service/replacement parts other than original equipment parts may void your warranty.

**ALL UNNUMBERED
ITEMS ARE INTERCHANGEABLE
WITH OPPOSITE SIDE**

327635A

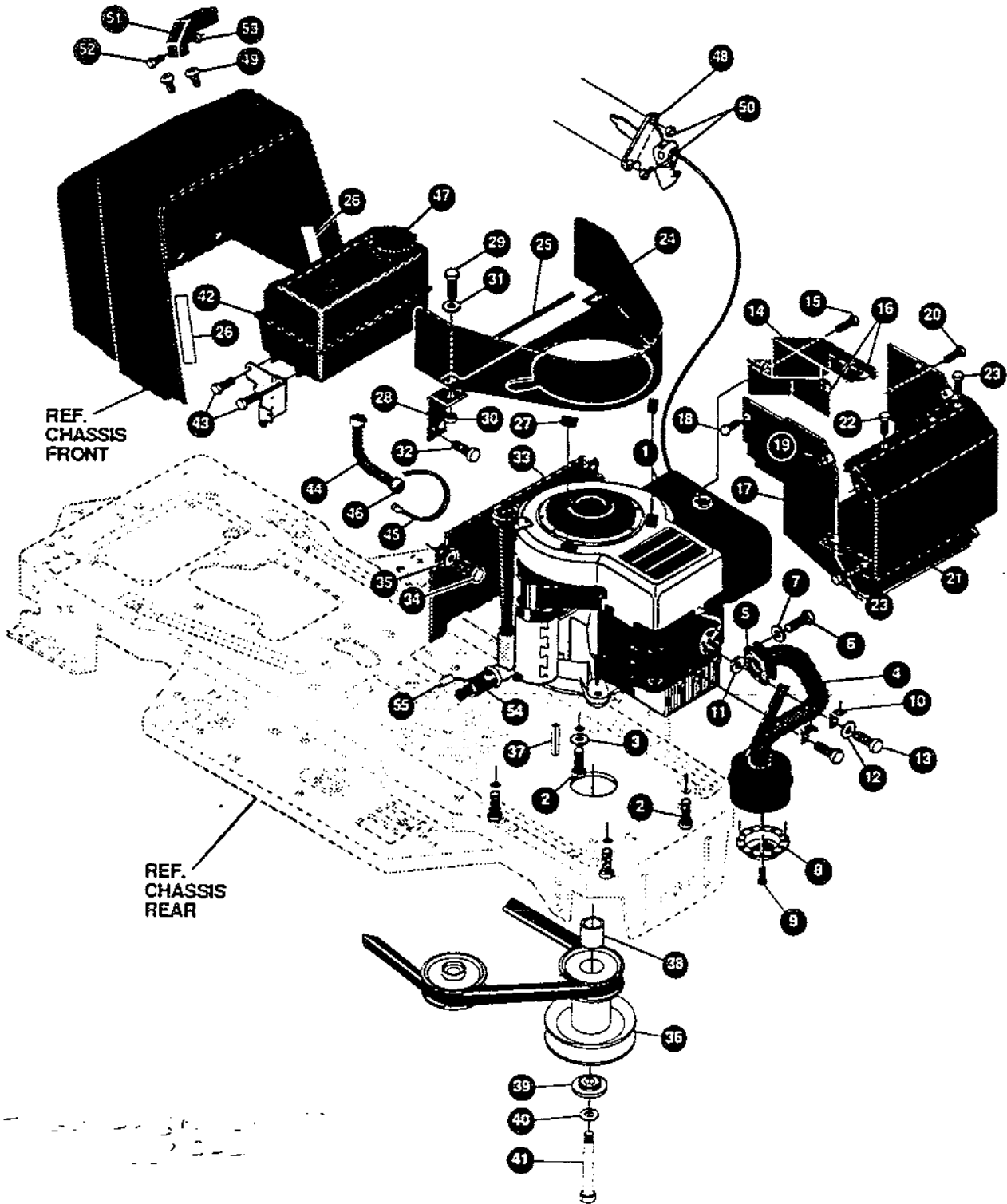
SUBURBAN TRACTOR MODEL 13048

key#	part#	description	qty.
60	1830486	SPRING BIAS DRAGLINK	1
61	1830487	GUIDE BELT	1
62	1830005	NUT, 5/16-18 REGHEXCTRLK	1
63	1830575	PEDAL ASSY, BRAKE/CLUTCH LF	1
64	1830488	PIN, CLEVIS	1
65	1830140	SPRING, BRAKE PEDAL	1
66	1830011	WASHER, FLAT .504X .75X.059	3
67	1830489	PIN, HAIR	1
68	1830063	PAD, CLUTCH BRAKE W/PRINTING	1
69	1830490	ARM, IDLER TRACTION DR. LF	1
70	1830266	BOLT, .625X .135 HHSH 5/16-18	1
71	1830055	WASHER, FLAT .333X .87X.119	1
72	1830005	NUT, 5/16-18 REGHEXCTRLK	1
73	1830048	RETAINER, STRAP BELT	1
74	1830039	PULLEY, IDLER V4L 3.06X .62	1
75	1830056	BOLT, 3/8-16X1.50 CARR	1
76	1830006	NUT, 3/8-16 REGHXCTRLK	1
77	1830113	ROD, CLUTCH	1
78	1830576	SPRING BRAKE	1
79	1830577	SHOULDER BOLT	1
80	1830005	NUT, 5/16-18 REGHEXCTRLK	1
81	1830097	SPRING, CLUTCH .113X.750X8.75	1
82	*	TIRE & RIM ASSY	2
83	1830094	VALVE STEM	1
84	1830139	RIM, WHEEL 20X8.00	1
85		REFER TO TIRE TREAD PAGE	
86	1830275	SPACER	2
87	1830082	KEY	2
88	1830000	WASHER, FLAT .755X1.31X.075	4
89	1830051	WASHER, FLAT .755X1.53X.07	2
90	1830044	RING, RETEX	2
91	1830049	CAP, HUB	2

* Order Individual Parts

SUBURBAN TRACTOR MODEL 13048

ENGINE & CONTROL ASSEMBLY



NOTE: ALWAYS USE ORIGINAL EQUIPMENT PARTS. Use of service/replacement parts other than original equipment parts may void your warranty.

ALL UNNUMBERED ITEMS ARE INTERCHANGEABLE WITH OPPOSITE SIDE

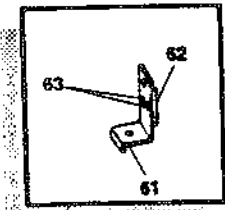
328758A

SUBURBAN TRACTOR MODEL 13048

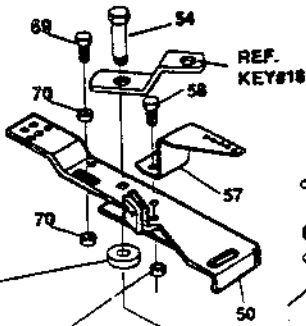
key#	part#	description	qty.
1.	ENGINE	12-12.5HP BS IC DUAL(SEE ENGINE MANUAL)	1
2.	1830075	SCREW, 3/8-16X1.25 WAHHTAPBLKP	4
3.	1830205	WASHER, EXLK .384X.69X.04	1
4.	1830597	MUFFLER-ASM.H24/G19/G20 NELSON	1
5.	1830059	GASKET, MUFFLER	1
6.	1830213	SCREW, 5/16-18X .75 HHC	2
7.	1830189	WASHER, HVSPTLK .328X.60X.09	2
8.	1830551	DEFLECTOR,EXHAUST,LOUVERED B&S	1
9.	1830038	SCREW, #8-32X .38 HHWATAP	4
10.	1830552	MOUNT,HEAT SHIELD ASM. LF	2
11.	1830553	SPACER, SLEV .328X .75X .312PM	1
12.	1830183	WASHER, REGSPTLK.263X.49X.07	1
13.	1830554	SCREW, 1/4-20X .88 HHC	1
14.	1830558	HEAT SHIELD,CARB.DEFLECT.SIDE	1
15.	1830556	SCREW, 1/4-20X .50 WAHHC	1
16.	1830557	TINNERMAN CLIP C8114-1024-4	3
17.	1830558	HEAT SHIELD,ASSEMBLY	1
18.	1830559	SCREW, 5/16-18X .50WDFLLK	1
19.	1830557	TINNERMAN CLIP C8114-1024-4	4
20.	1830560	SCREW, 10-24X .50 WAHMA	2
21.	1830561	HEAT DEFLECTOR,FRONT LF	1
22.	1830556	SCREW, 1/4-20X .50 WAHHC	2
23.	1830560	SCREW, 10-24X .50 WAHMA	5
24.	1830562	PLENUM,HOOD H24/G19/G20,12HP LF	1
25.	1830598	TRIM,STRIP,BLACK--SMALL,W/ADH	12
26.	1830599	FOAM,DASH BOLENS 1/2"X2"X12" 325777	2
27.	1830563	FASTENER, VELCRO, 2" X 1"	2
28.	1830565	BRACKET, PLENUM MOUNT	2
29.	1830564	SCREW, 1/4-20X .63 WAHHC	2
30.	1830008	NUT, 1/4-20 REGHEXCTRLK	2
31.	1830378	WASHER, FLAT .281X1.25X.06	2
32.	1830420	SCREW, 1/4-20X .50 WAHHTAP	2
33.	1830566	BAFFLE CONSOLE AIR BOLENS LF	1
34.	1830420	SCREW, 1/4-20X .50 WAHHTAP	2
35.	1830378	WASHER, FLAT .281X1.25X.06	2
36.	1830165	BF PULLEY ASSY,4.75OFFS 5.5	1
37.	1830135	KEY, SQUARE .250SQX5.00LG	1
38.	1830298	SPACER, SLEV1.01X1.484X	1
39.	1830104	WASHER, 980IDX1.38ODX.437PILOT	1
40.	1830185	WASHER, REGSPTLK.459X.78X.12	1
41.	1830414	SCREW, 7/16-20X5.00 HHC	1
42.	1830567	TANK, FUEL 1.5 WO/SENSOR CLEAR	1
43.	1830067	SCREW, 1/4-10X .75PHPNMNTAP	4
44.	1830568	TUBING, .25X.50X BULK GAS LINE	10'
45.	1830123	TIE, CABLE BLACK NYLON 5.62L	1
46.	1830569	CLAMP, FUEL LINE	2
47.	1830570	CAP, FUEL -2.5" THROAT	1
48.	1830600	THROTTLE CONTROL 12HP BS H24	1
49.	1830601	SCREW, 10-24X .63 PHFLTMA	2
50.	1830220	NUT, #10-24 HEXKEPS	2
51.	1830496	KNOB,THROTTLE CONTROL GP STYLE	1
52.	1830497	SCREW, #8-32X .38 PHPNMA	1
53.	1830498	NUT, #8-32 REGHX	1
54.	1830571	OIL DRAIN VALVE ASSEMBLY	1
55.	1830572	CAP,OIL DRAIN VALVE ASM.	1

SUBURBAN TRACTOR MODEL 13048

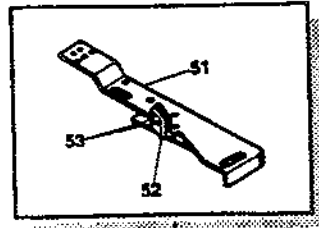
PRE-PAINTED DECK ASSEMBLY



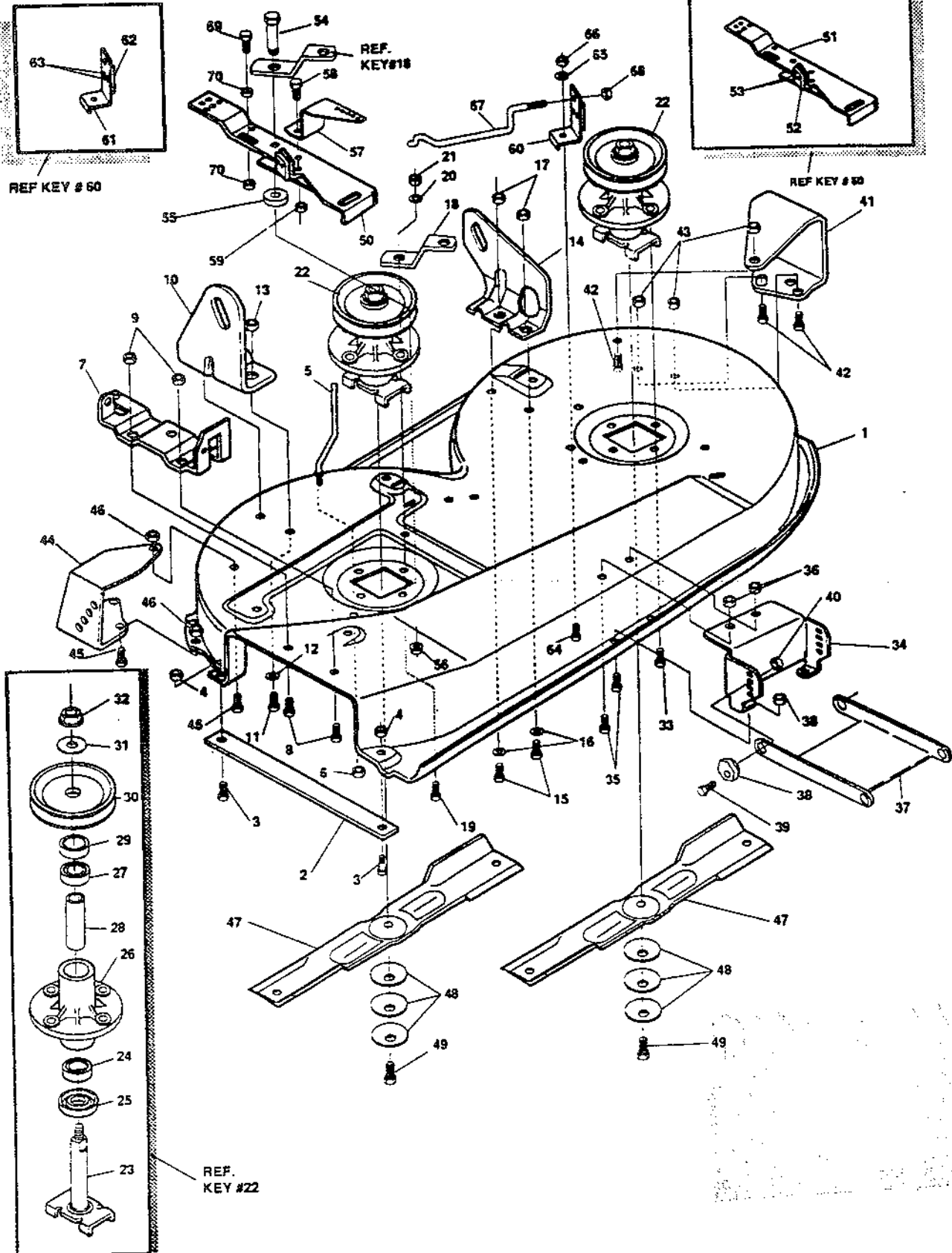
REF KEY # 60



REF. KEY#18



REF KEY # 50



NOTE: ALWAYS USE ORIGINAL EQUIPMENT PARTS. Use of service/replacement parts other than original equipment parts may void your warranty.

ALL UNNUMBERED ITEMS ARE INTERCHANGEABLE WITH OPPOSITE SIDE

316186F

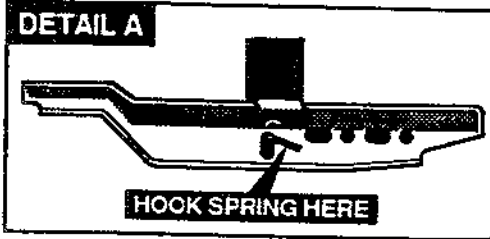
SUBURBAN TRACTOR MODEL 13048

key#	part#	description	qty.
1	1830648	DECK,39"SD MOWER	1
2	1830649001	BAR, SKID	1
3	1830200	BOLT, 5/16-18X .75 CARR	2
4	1830005	NUT, 5/16-18 REGHEXCTRLK	2
5	1830120	GUIDE, BELT 5/16-18 THD	1
6	1830005	NUT, 5/16-18 REGHEXCTRLK	1
7	1830122	BRACKET, CHUTE	1
8	1830190	SCREW, 5/16-18X .50 HHC	2
9	1830005	NUT, 5/16-18 REGHEXCTRLK	2
10	1830149	LIFT BRACKET, REAR,RH	1
11	1830213	SCREW, 5/16-18X .75 HHC	2
12	1830186	WASHER, FLAT .344X .69X.065	2
13	1830005	NUT, 5/16-18 REGHEXCTRLK	2
14	1830150	BRACKET,DECK LIFTREAR LH	1
15	1830213	SCREW, 5/16-18X .75 HHC	2
16	1830186	WASHER, FLAT .344X .69X.065	2
17	1830005	NUT, 5/16-18 REGHEXCTRLK	2
18	1830348001	BRACKET, IDLER SUPPORT	1
19	1830251	SCREW, 5/16-18X1.38 WATAP	1
20	1830186	WASHER, FLAT .344X .69X.065	1
21	1830005	NUT, 5/16-18 REGHEXCTRLK	1
22	1830650001	QUILL ASSY, 36/39/40/43	2
23	1830102	SHAFT/SADDLE 36"	1
24	1830068	BRNG, BALL	1
25	1830072	DUST SHIELD	1
26	1830092	QUILL CASTING	1
27	1830068	BRNG, BALL	1
28	1830074	SPACER,3.797LGX.669IDX.8800	1
29	1830076	SPACER,.438LGX.932ODX.672ID-PM	1
30	1830100	PULLEY,26/36" QUILL	1
31	1830099	SPECIAL WASHER	1
32	1830001	NUT, 7/16-20 WDFLLK	1
33	1830073	SCREW, 5/16-18X .88 WAHTAP	7
34	1830157	LIFT SUPPORT FRONT DECK	1
35	1830174	SCREW, 5/16-18X .63 HHC	4
36	1830005	NUT, 5/16-18 REGHEXCTRLK	4
37	1830155001	LINK BRACKET,DECK FR	1
38	1830147	ADJUSTING NUT	2
39	1830583	SCREW, 5/16-18X1.00 HHC	2
40	1830005	NUT, 5/16-18 REGHEXCTRLK	2
41	1830225	WHEEL BRKT, LH	1
42	1830174	SCREW, 5/16-18X .63 HHC	3
43	1830005	NUT, 5/16-18 REGHEXCTRLK	3
44	1830224	WHEEL BRKT, RH	1
45	1830174	SCREW, 5/16-18X .63 HHC	3
46	1830005	NUT, 5/16-18 REGHEXCTRLK	3
47	1830117	BLADE, 39" STD-LIFT 19.5	2
48	1830010	WASHER,.39IDX1.2SDX.07 BELLVL	6
49	1830047	SCREW, 3/8-24X1.00 NYLHHC	2
50	1830386001	IDLER ARM ASSY.	1
51	1830651001	IDLER ARM	1
52	1830308	BRAKE PAD	1
53	1830210	RIVET,TRSET .185 DIAx.41	2
54	1830234	BOLT, .50 X .188 HHSH3/8-16	1
55	1830421	WASHER,FLAT .391 X 1. — X .125	1
56	1830054	NUT,5/16-18 X .75 HHC WHIZ-LOCK	1
57	1830652001	BRACKET EXTENSION IDLER	1
58	1830312	SCREW,5/16-18 X .75 HHC	1
59	1830005	NUT, 5/16-18 REGHEXCTRLK	1
60	1830653001	ASSY BLADE BRAKE	1
61	- 1830504	BRAKE ARM	1
62	1830308	BRAKE PAD	1
63	1830201	RIVET,TRSET .185 DIAx.41	2
64	1830174	SCREW,5/16-18X.63 HHC	1
65	1830186	WASHER,FLAT .344 X .69 X .65	1
66	1830005	NUT, 5/16-18 REGHEXCTRLK	1
67	- 1830505	ROD,BRAKE	1
68	1830008	NUT, 1/4-20 REGHEXCTRLK	1
69	- 1830505	SCREW, 1/4-20X2.00 HHC	1
70	1830221	NUT, 1/4-20 REGHEXKEPS	2

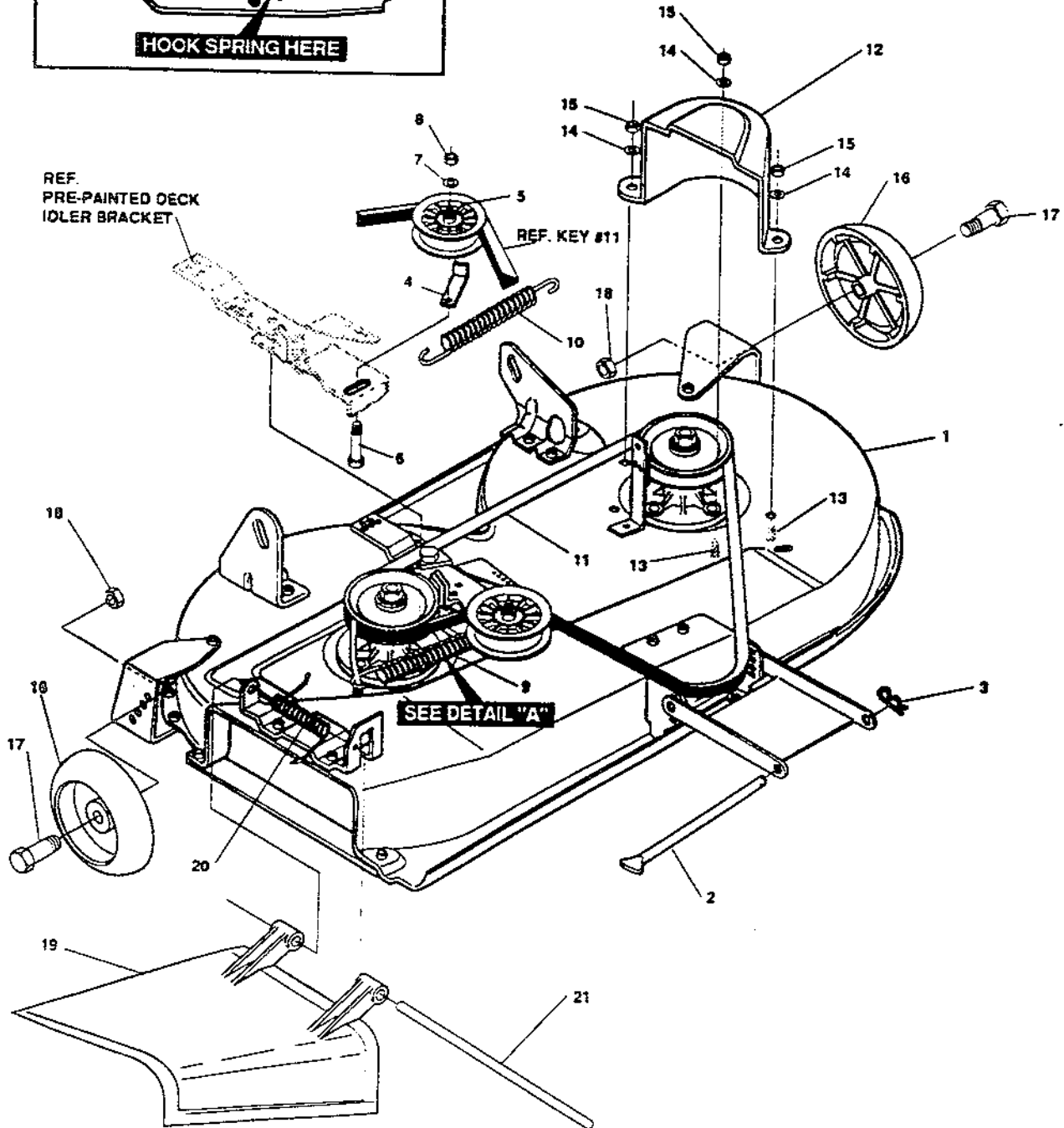
SUBURBAN TRACTOR MODEL 13048

FINAL DECK ASSEMBLY

DETAIL A



SEE DWG. 316186 FOR PART ASSEMBLY OF PAINTED DECK



NOTE: ALWAYS USE ORIGINAL EQUIPMENT PARTS.
Use of service/replacement parts other than original equipment parts may void your warranty.

**ALL UNNUMBERED
ITEMS ARE INTERCHANGEABLE
WITH OPPOSITE SIDE**

316198E

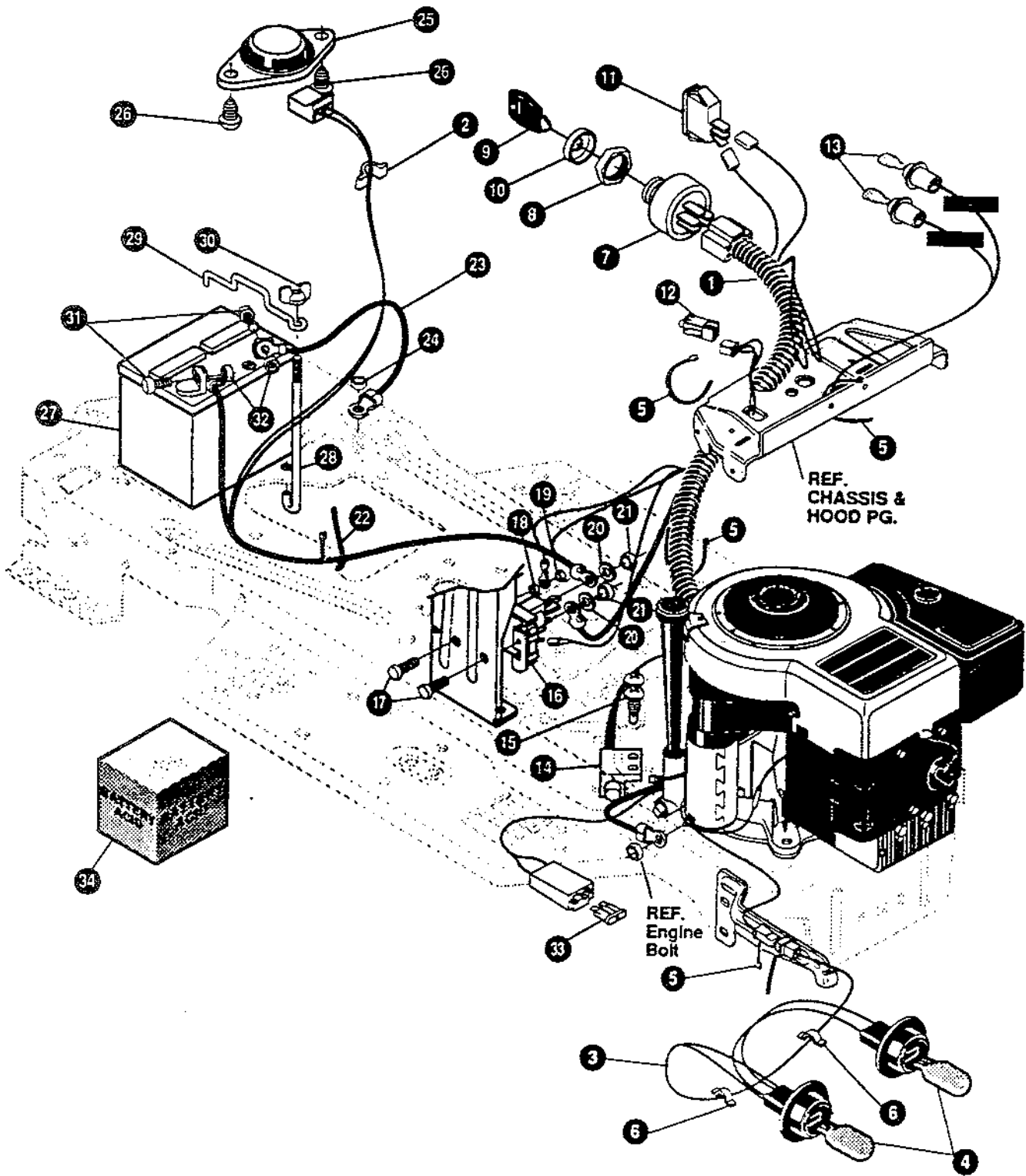
SUBURBAN TRACTOR MODEL 13048

key#	part#	description	qty.
1.	0	DECK,ASSY 39"SD SUS	1
2.	1830156	ROD, DECK HITCH	1
3.	1830013	PIN, HAIR .091 DIA X 1.66LG	1
4.	1830004	RETAINER, BELT	1
5.	1830289	PULLEY, IDLER BFF	1
6.	1830121	BOLT, 3/8-16 X 2.00 CARR	1
7.	1830184	WASHER, REGSPTLK.393X.68X.10	1
8.	1830182	NUT, 3/8-16 REGHX	1
9.	1830507	SPRING .071 X .62 X 4.37	1
10.	1830253	SPRING, TENSION	1
11.	1830258	BELT, V 5L 77.75 KEVLAR	1
12.	1830636	GUARD, BELT LH PLASTIC	1
13.	1830174	SCREW, 5/16-18 X .63 HHC	3
14.	1830186	WASHER, FLAT .344X .69X.065	3
15.	1830005	NUT, 5/16-18 REGHEXCTRLK	3
16.	1830281	WHEEL, SD 6.000DX1.38WD	2
17.	1830037	BOLT, .500X1.390 HSH 3/8-16	2
18.	1830006	NUT, 3/8-16 REGHXCTRLK	2
19.	1830136	CHUTE-36SD,39SD,45SD	1
20.	1830352	SPRING TORSION CHUTE DEF.	1
21.	1830119	PIVOT ROD,CHUTE	1

0 ORDER DECK KIT NUMBER 1830635001 FOR COMPLETE DECK.

SUBURBAN TRACTOR MODEL 13048

ELECTRICAL ASSEMBLY



NOTE: ALWAYS USE ORIGINAL EQUIPMENT PARTS.
Use of service/replacement parts other than original equipment parts may void your warranty.

ALL UNNUMBERED
ITEMS ARE INTERCHANGEABLE
WITH OPPOSITE SIDE

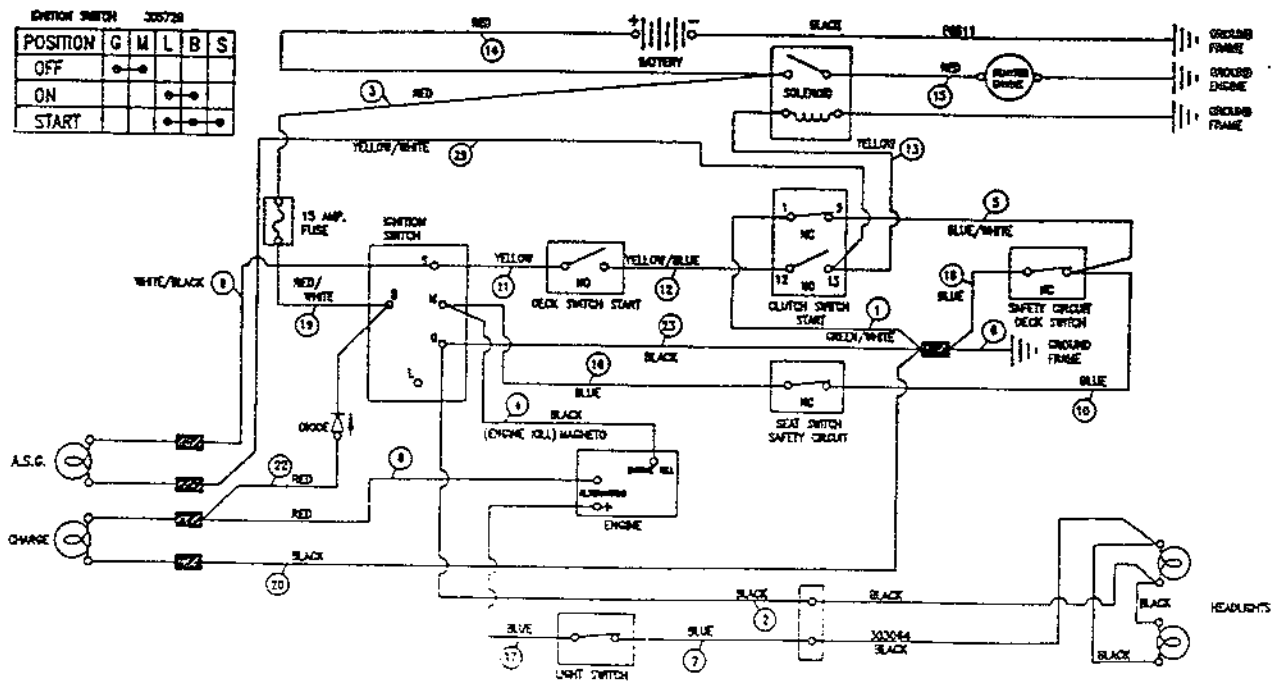
328783A

SUBURBAN TRACTOR MODEL 13048

key#	part#	description	qty.
1	1830545	HARNASS 12-12.5 BS,H24G19G20, WRAP,LF	1
2	1830050	PRESS,CLIP	1
3	1830293	ASSSY,LIGHT WIRE-1/4 TURN	1
4	1830080	BULB, HEADLIGHT	2
5	1830123	TIE,CABLE	2
6	1830050	PRESS,CLIP	4
7	1830546	SWITCH-IGN <i>PLACTIONE</i>	1
8	1830547	NUT, 5/8-32 HXHD IGN SWIT	1
9	1830548	KEY, IGNITION <i>DELTA</i>	1
10	1830510	BOOT, IGNITION SWITCH	1
11	1830246	LIGHT SWITCH ON/OFF PANEL	1
12	1830384	SWITCH, DOUBLE POLE	1
13	1830134	BULB, INDICATOR	2
14	1830127	SWITCH, SCR MNT	1
15	1830115	SCREW, #12 X.50 PHPNTAP	2
16	1830084	SOLENOID	1
17	1830219	SCREW, 1/4-20 REGHEXCTRLK	2
18	1830008	NUT, 1/4-20 REGHEXCTRLK	2
19	1830221	NUT, 1/4-20 REGHEXKEPS	1
20	1830204	WASHER, EXLK .320X.61X.03	2
21	1830177	NUT, 5/16-24 REGHEX	2
22	1830123	TIE,CABLE	1
23	1830090	WIRE,GROUND, 12.5"	1
24	1830222	NUT, 5/16-18 HEXKEPS	1
25	1830131	SWITCH,SEAT	1
26	1830208	SCREW, 1/4-20X.38	2
27	1830280	BATTERY 12V GENERIC	1
28	1830132	ROD,BATTERY	1
29	1830133	ROD,BATTERY, TOP	1
30	1830318	NUT,WING 1/4-20 NYLON	1
31	1830191	SCREW,1/4-20 X.63 HHC	2
32	1830221	NUT, 1/4-20 REGHEXKEPS	2
33	** 1830107	FUSE, 15 amp SPADE TYPE	1
34	0	BATTERY ACID PACK,800Z	1

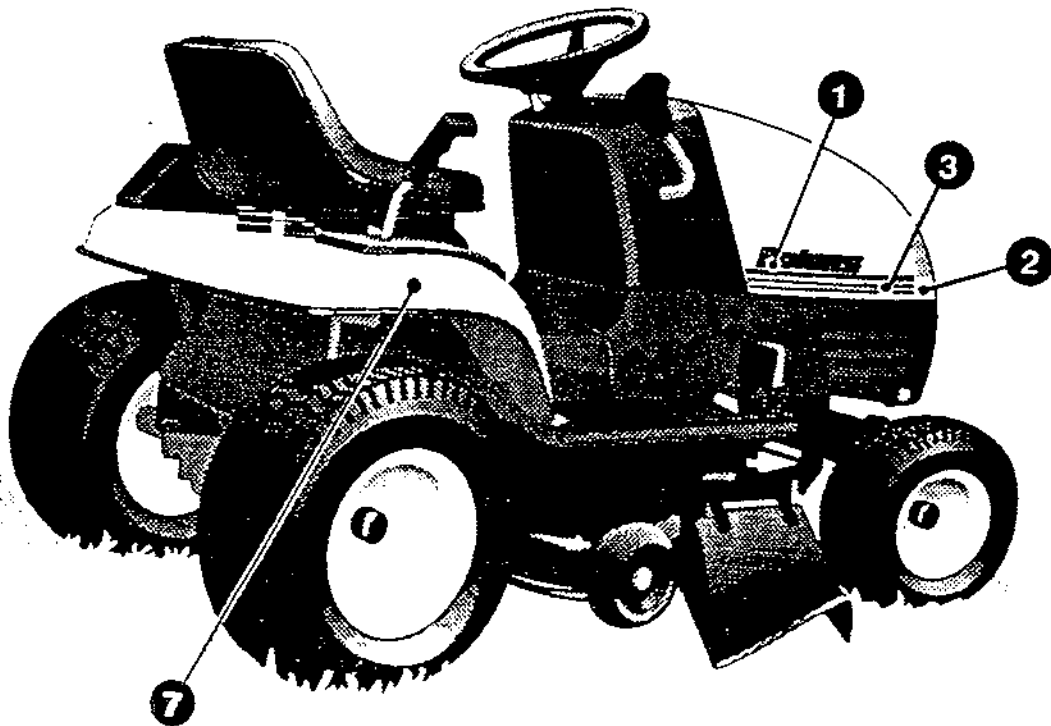
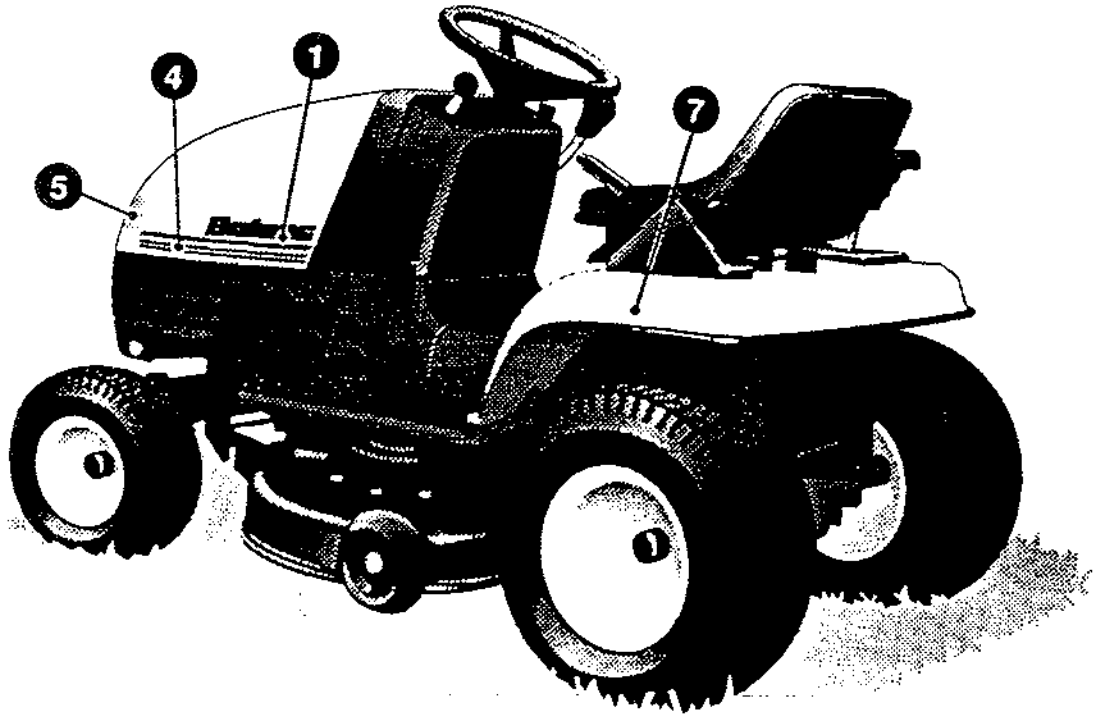
** SPADE TYPE FUSE INCLUDED WITH THE WIRE HARNASS
 0 CAN BE PURCHASED AT ANY LOCAL HARDWARE STORE.

SCHEMATIC DRAWING



SUBURBAN TRACTOR MODEL 13048

DECALS (DECORATIVE)

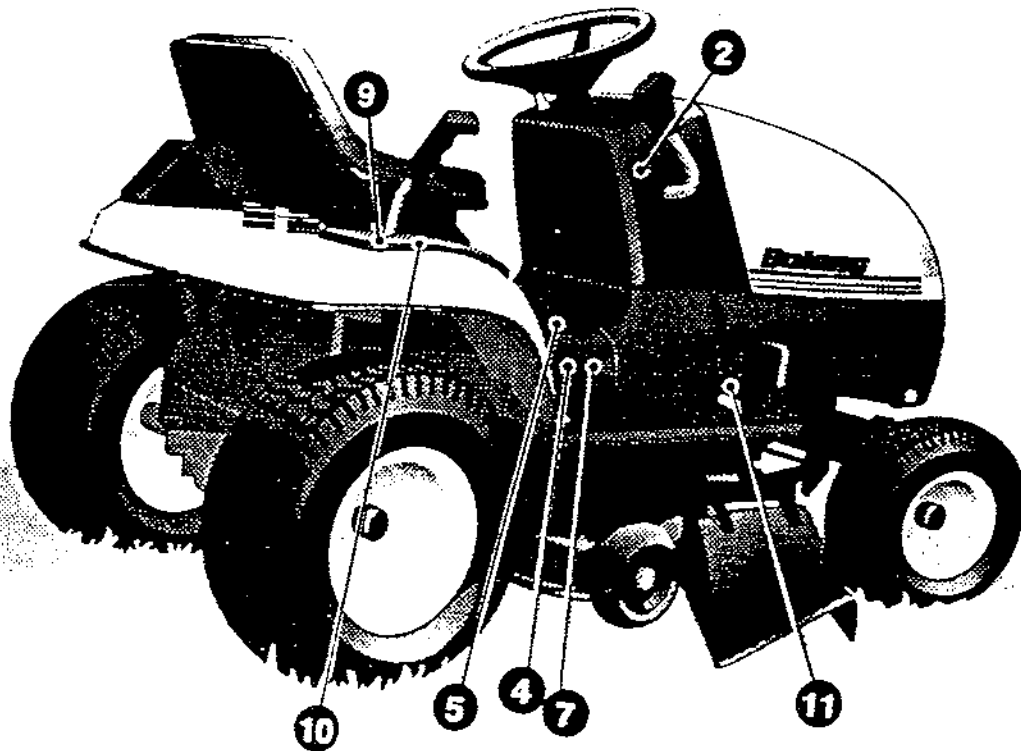
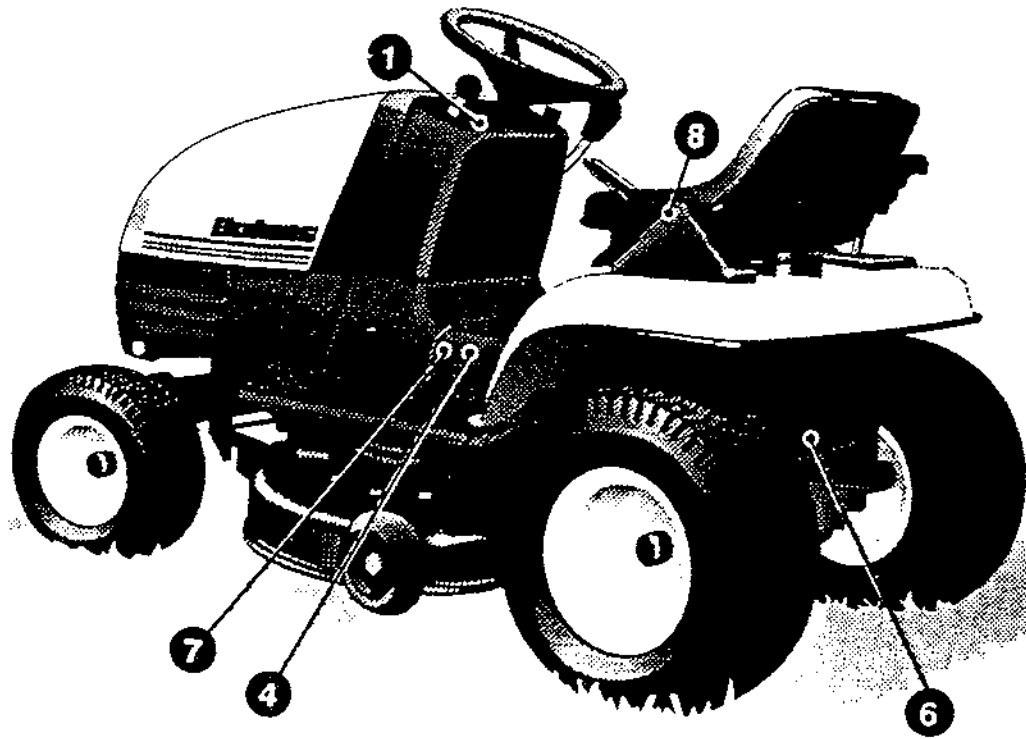


SUBURBAN TRACTOR MODEL 13048

key#	part#	description	qty.
1.	1830401	DECAL, HOOD BOLENS	2
2.	1830637	DECAL, GRILLE STRIPE (BOLENS)	1
3.	1830638	DECAL, GRILLE STRIPE RH (BOLENS)	1
4.	1830639	DECAL, GRILLE STRIPE LH (BOLENS)	1
5.	1830640	FOIL LENS REFLECTOR BOLENS	1
6.		REFERENCE ONLY	
7.	1830641	DECAL, STG 125 STEP THRU CONSOLE	2

SUBURBAN TRACTOR MODEL 13048

DECALS (INSTRUCTIONAL)

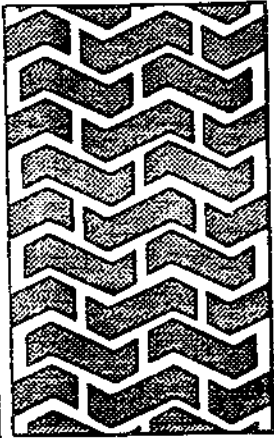


SUBURBAN TRACTOR MODEL 13048

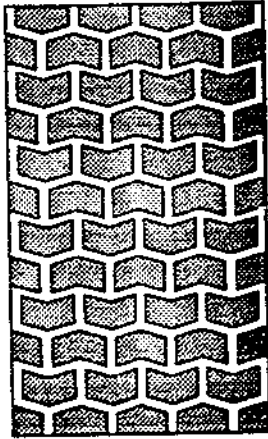
key#	part#	description	qty.
1	1830643	DECAL, DASH BOLENS	1
2	1830168	DECAL, BLADE ENGAGE EUROPE	1
3		REFERENCE ONLY	
4	1830302	DECAL, CAUTION TRIANGLE EUROPE	2
5	1830645	DECAL, INSTR. CONSOLE TOP ENGL	1
6	1830324	DECAL, FRENCH SAFETY CERT	1
7	1830325	DECAL, DANGER ENGLISH	2
8	1830276	DECAL, LIFT DECK BLADE HEIGHT	1
9	1830333	DECAL, SHIFT REV/NEUTRAL	1
10	1830394	DECAL, SHIFTER POSITION P930-5	1
11.	1830170	DECAL, BRAKE/CLUTCH ISO	1

SUBURBAN TRACTOR MODEL 13048

TREAD PATTERNS



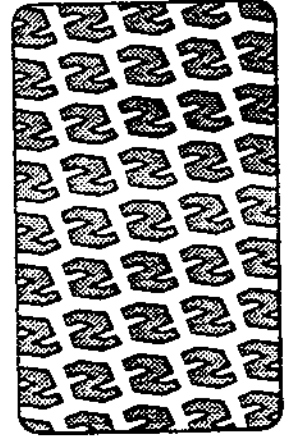
"A"



"B"



"C"



"D"

TIRE SIZE

	"A"	"B"	"C"	"D"
15 X 6.00 - 6	1830144	1830292	1830307	1830235
20 X 8.00 - 8	1830193	1830265	1830319	1830239

ACCESSORIES

Contact the dealer where your tractor was purchased for the available accessories.

Model	Description
14016	Collector, Export 36-45
14017	Attachment, Air Assist 39"/45"
14018	Kit, TUV compliance Export LF

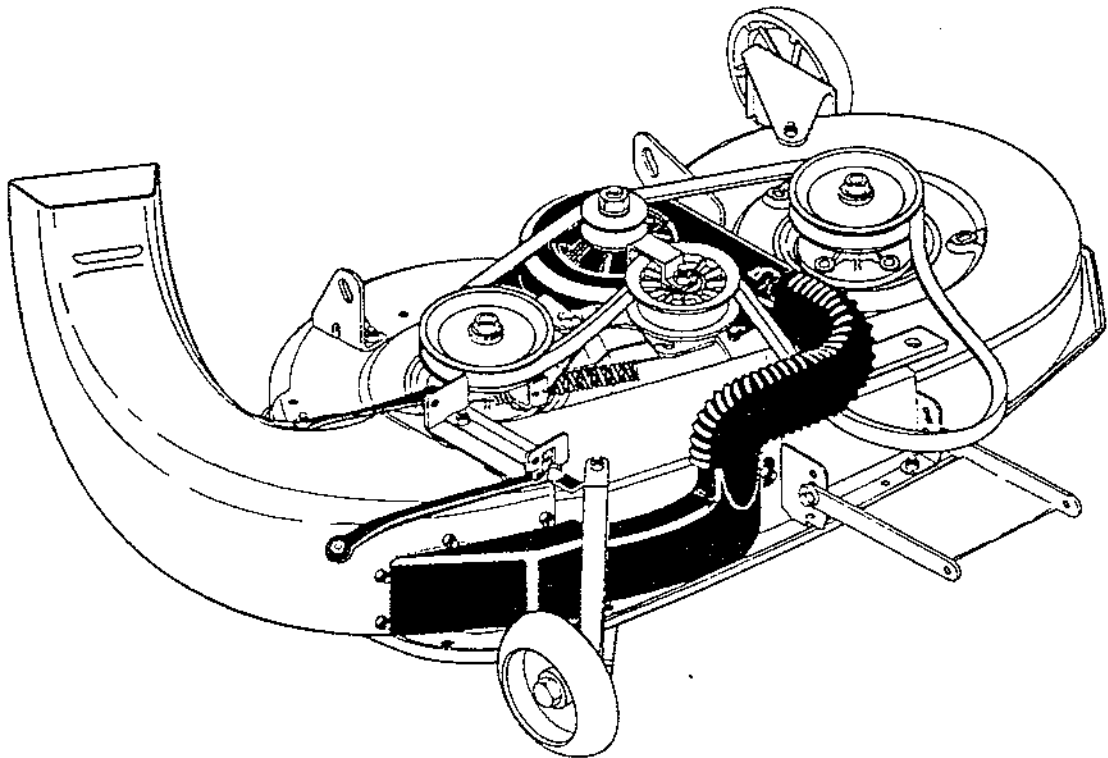
AIRE FORCE

AIR ASSIST

OWNER'S MANUAL

STANDARD AND LARGE FRAME SUSPENDED DECKS

MODEL #14092



UNIT PARTS & SERVICE

This manual contains instructions for safety, assembly and maintenance. Read this manual carefully and completely so that you will know proper assembly, use and care of your unit. Also fill in and mail the registration card packed with the unit. For service other than covered in this manual, contact an authorized service dealer. A nationwide parts and service organization has been established to provide locally available parts and service. A list of authorized parts distributors has been included in this manual. When ordering repair parts, always give the following information: 1. The Part Name; 2. The Part Number; 3. The Quantity desired; 4. The Full (eight digit) Model Number of the unit. The model number will be found on a plate attached to the unit.



LOOK FOR THIS SYMBOL WHICH MEANS - ATTENTION! BECOME ALERT! A HAZARD TO THE OPERATOR, BYSTANDER, PROPERTY OR EQUIPMENT MAY EXIST.



SAFETY RULES



THESE INSTRUCTIONS ARE FOR YOUR PROTECTION. PLEASE READ THEM CAREFULLY.

1. Know the controls and how to stop quickly. **READ THIS OWNER'S MANUAL** and review the tractor **Owner's Manual**. Wear safety glasses or eye shields while assembling or operating the tractor with the grass catcher.
2. When using the tractor with the grass catcher:
 - A. **DO NOT** operate the tractor without the entire grass catcher assembly or the chute deflector in place.
 - B. Never make any adjustments or repairs while the engine is running.
 - C. Shut off the engine when removing grass from the grass catcher or unplugging the mower chute or the grass catcher chute.
 - D. **DO NOT** operate the tractor with grass catcher assembly while barefooted. **ALWAYS** wear substantial footwear, preferably steel-toed shoes. **DO NOT** wear loose fitting clothing that could get caught in any moving parts.
 - E. **ALWAYS** keep clear of the grass catcher chute or any moving parts while the engine is running.
 - F. Mow only in daylight or good artificial light.
3. **ALWAYS** place the mower clutch lever in the **OFF** position when not cutting grass, such as when crossing a rock or gravel driveway or roadway and when transporting the tractor with grass catcher.
4. Place the mower clutch lever in the **OFF** position to disengage the power to the mower blades, stop the engine, remove the ignition key and set the parking brake before leaving the operator's position.
5. Place the mower clutch lever in the **OFF** position to disengage power to the mower blades, stop the engine, remove the ignition key, set the parking brake and disconnect the spark plug wire(s) before making any repairs, adjustments or cleaning the tractor or grass catcher.
6. Check the grass bags frequently for wear and/or deterioration. Replace worn or damaged bags.
7. **DO NOT** run the engine indoors. Exhaust fumes contain **CARBON MONOXIDE** which is an **ODORLESS** and **DEADLY GAS**.
8. Take all possible precautions when leaving the tractor unattended, such as placing the mower clutch lever in the **OFF** position to disengage the mower blades, shifting the shift control lever into the neutral position, setting the parking brake, stopping the engine and removing the ignition key.
9. **NEVER** store the grass catcher with grass clippings in the grass catcher bags. Even a small pile of grass clippings can create enough heat to start a fire.
10. If the grass catcher will be used on other than level ground, the use of a front weight box is recommended.

OWNER'S INFORMATION

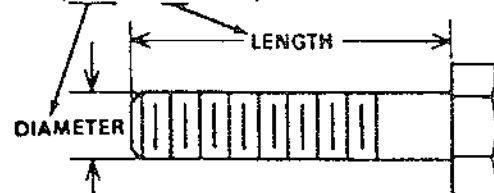
Record the following information about your unit so that you will be able to provide it in case of loss or theft.

MODEL NUMBER: - (Enter complete 8 digit number from model plate on unit)
 PURCHASE DATE: ___ / ___ / ___ CODE NO.: _____ SERIAL NO.: _____
 DEALER'S NAME AND ADDRESS: _____
 CITY: _____ STATE: _____ TELEPHONE: _____

TOOLS REQUIRED FOR ASSEMBLY

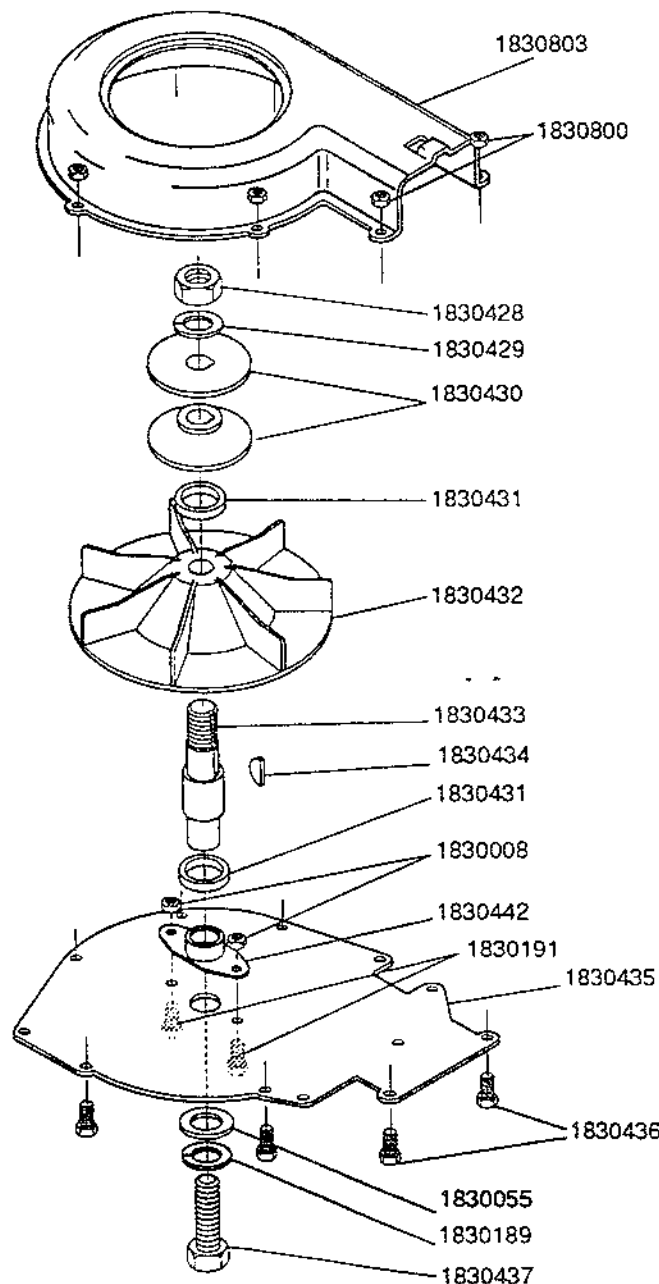
- (2) Blocks of Wood (2 x 4)
- (2) 9/16 inch Wrench (or adjustable wrenches)
- (2) 1/2 inch Wrench (or adjustable wrenches)
- (2) 7/16 inch Wrench (or adjustable wrenches)
- (1) 5/16 inch Wrench (or adjustable wrenches)
- (1) 3/8 inch Wrench (or adjustable wrenches)
- (1) Hammer
- (1) Center Punch
- (1) Electric Drill
- (1) 5/16" Drill Bit
- (1) 9/32" Drill Bit
- (1) 7/32" Drill Bit
- (1) Jig Saw or Hack Saw

HOW TO MEASURE SCREW SIZE
(5/16 x 1 1/2 INCH)



CONTENTS OF SHIPPING CARTON

- (1) 1830789 Owner's Manual (English)
- (1) 1830342 Blower Assembly (see detail)
- (1) 1830790 Air Duct
- (1) 1830791 Air Duct
- (1) 1830792 Flex Hose
- (1) 1830793 Plate-Mounting
- (1) 1830794 Assembly Up-Stop W/Hose Plate
- (1) 1830344 Inlet
- (2) 1830346 Large Templates
- (2) 1830347 Small Templates
- (1) 1830348 Idler Support Bracket
- (1) 1830395 Brake Release Rod
- (1) Bag of Assembly Parts Containing:
 - (2) 1830554 Screw, 1/4-20X.88 HHC
 - (3) 1830008 Nut, 1/4-20 REGCTRLK
 - (13) 1830359 Spacer, Slev .250X.47X.20
 - (2) 1830190 Screw, 5/16-18X.50 HHC
 - (1) 1830795 Screw, 5/16-18X1.50 HHOFT
 - (1) 1830440 Washer, Flat .328X.75X.077
 - (3) 1830213 Screw, 5/16-18X.75 HHC #5
 - (5) 1830005 Nut, 5/16-18 REGHEXCTRLK
 - (5) 1830363 Screw, 10-32X.5 SLWAHH
 - (5) 1830365 Nut #10-32 CTRLK
 - (1) 1830366 Upstop
 - (1) 1830441 Penetrating Washer
 - (1) 1830796 Spring, Tension Air Assist
 - (2) 1830006 Nut, 3/8-16 REGHEXCTRLK
 - (1) 1830797 Bolt, 5/16-18X1.25 CARR
 - (1) 1830357 Screw, 1/4-20X.50 HHC
 - (2) 1830798 Screw, 1/4-20X1.63 HHC
 - (3) 1830213 Screw, 5/16-18X.75 HHC
 - (1) 1830799 Spring-Latch Air Assist Flex



The parts bag may contain more fasteners than are required for your kit.

ASSEMBLY

AIR ASSIST ASSEMBLY

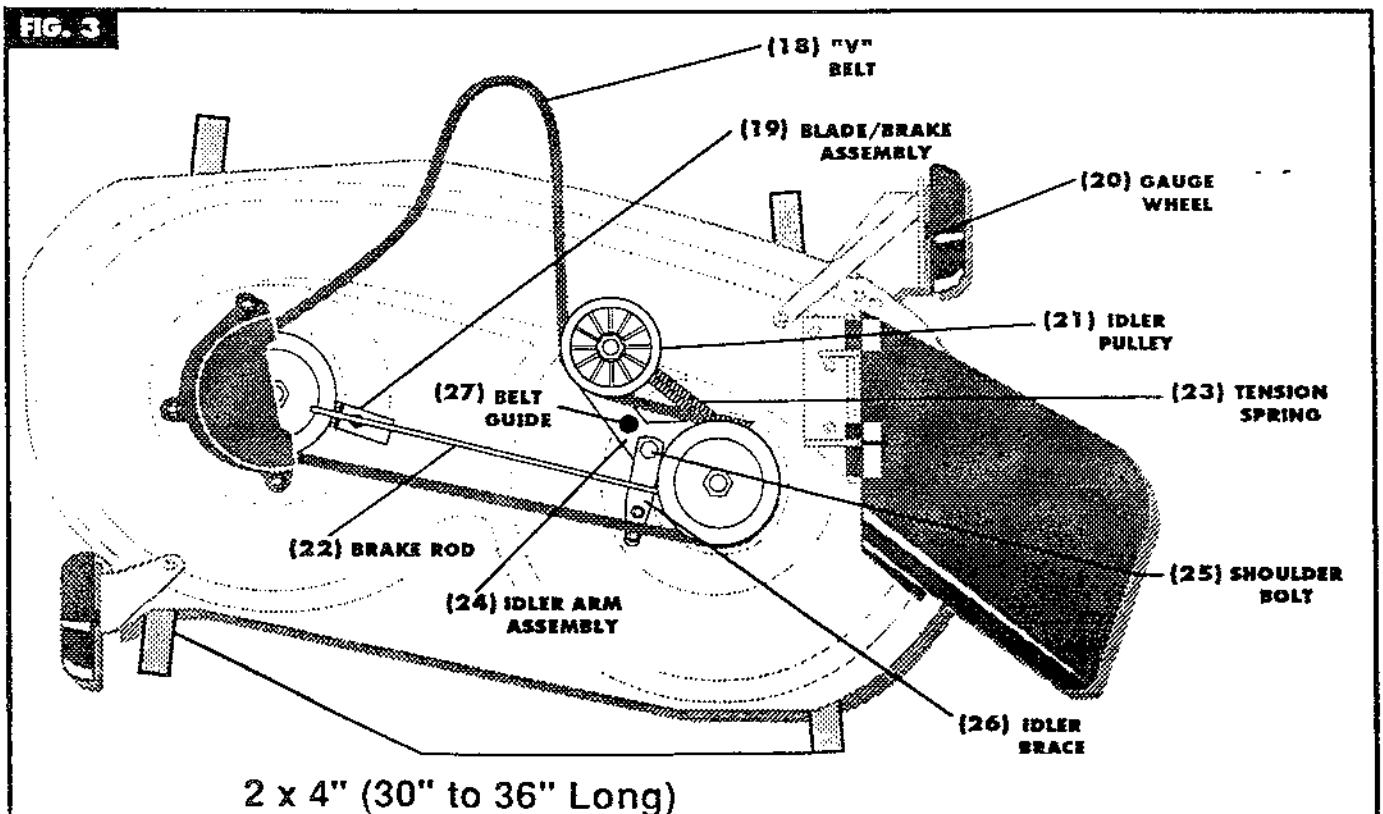
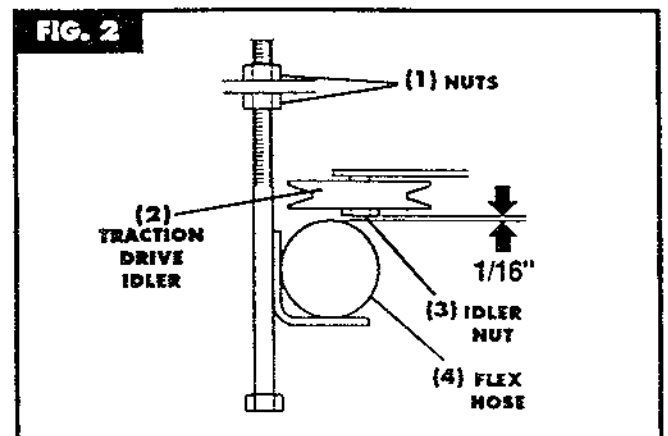
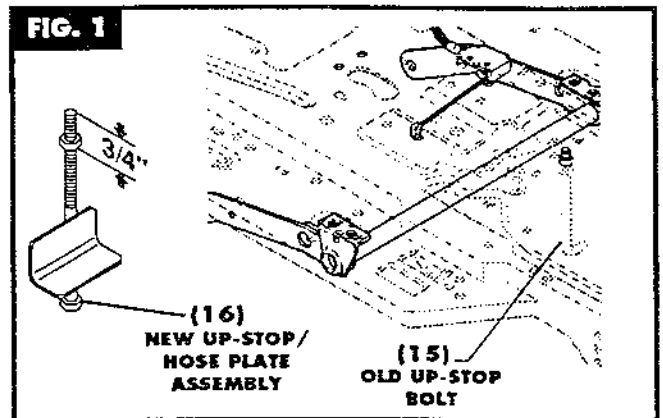
We recommend that the Air Assist Installation procedures be done by an Authorized Service Dealer.

If you have operated your tractor prior to installing the grass catcher, remove any accumulation of grass clippings from the mower deck before installing the Air Assist Package.

Follow These Step-by-Step Instructions to assemble your Air Assist.

TRACTOR FRAME

1. Disconnect the spark plug wire(s) from the spark plug(s).
2. Remove the mower deck from the tractor. Refer to the **Mower Deck Removal** paragraph in the Maintenance section of your **Owner's manual**.
3. Remove mower deck up-stop bolt (15) shown in (FIG. 1). Remove nut from bolt and discard bolt. Thread nut down on new up-stop/hose plate assembly (16) approximately 3/4" as shown in (FIG. 1).
4. Install up-stop/hose plate assembly into hole vacated by the original up-stop bolt shown in (FIG. 1). Position hose plate toward the front axle and snug into position.
5. Lay flex hose onto plate as shown in (FIG. 2). Adjust upper and lower nuts (1) to assure 1/16" clearance between idler nut (3) and flex hose (4). Tighten nuts securely, holding hose plate parallel to the front axle.

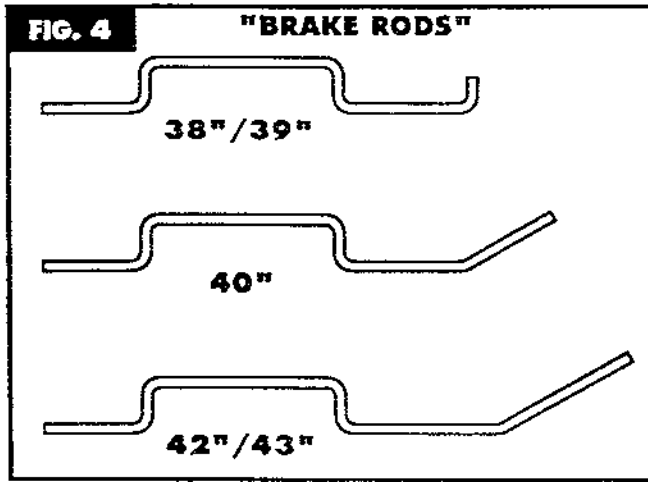


ASSEMBLY

MOWER DECK ASSEMBLY

If you have mowed with your tractor, any accumulation of grass clippings will need to be removed. Place deck up on two 2 x 4's as illustrated in (FIG. 3) to allow access to the under side of deck.

1. Remove and retain the tension spring (23) shown in (FIG. 3) that connects the idler arm (24) to the quill assembly.
2. Remove the lock nut that attaches the old brake release rod (22) to the blade brake assembly (19).



3. Remove idler arm bolt (25). Remove and properly dispose of the old brake release rod (22) shown in (FIG. 3). Select the proper new brake release rod per (FIG. 4) and set aside for installation in a later step.

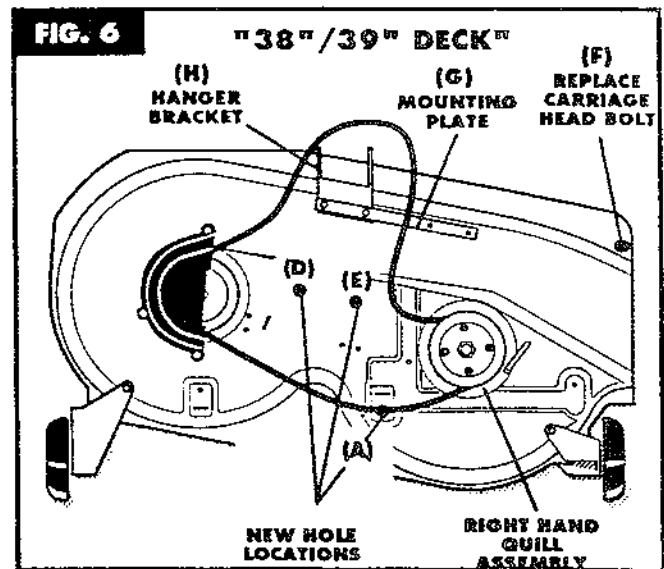
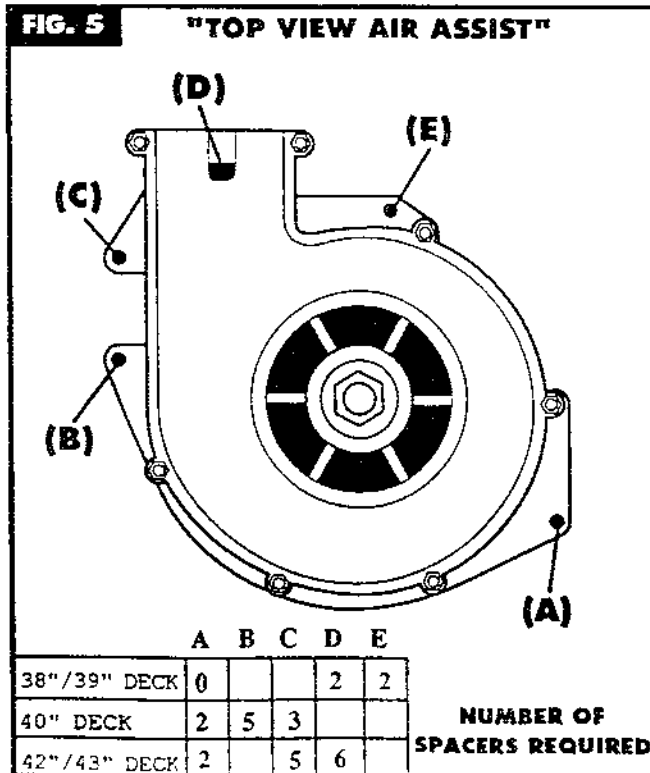
4. Remove the belt guide (27) shown in (FIG. 3) (1 bolt and 2 locknuts) from the idler arm (24) and dispose of properly.

NOTE: This belt guide is located on the 38\"/>

To complete the Deck Set-Up, please follow the instructions based on the size of the mower deck.

38\"/>

- A. Referring to (FIG. 5), the mounting holes used are "A", "D" & "E". Two (2) spacers are placed between blower & housing in holes "D" & "E". Locate mounting holes on deck per (FIG. 6)
- B. Install a 1/4 x .50" long screw into hole "A" with the head inside the cutting chamber and a 1/4" nut on top. Using hole "D", install a 1/4 x .88" screw with two (2) spacers between deck and blower. Repeat for hole "E". Tighten all nuts securely.
- C. Attach brake rod selected earlier into the idler arm assembly (24) and the threaded end thru the blade brake assembly (19) shown in (FIG. 11 INSET A). Attach rod with nut (27) and adjust per **Blade Brake Adjustment** section in **Owner's Manual**.
- D. Re-attach tension spring (23) shown in (FIG. 3) from the idler assembly to the right hand quill assembly.
- E. Replace the carriage head bolt "F" (FIG. 6) with longer carriage head bolt and the old nut.
- F. Attach mounting plate (G) by removing top nuts from front hanger bracket (H). Install mounting plate using the close spaced holes at one end extending plate toward the discharge chute. Retighten nuts securely. Continue with Step 3.



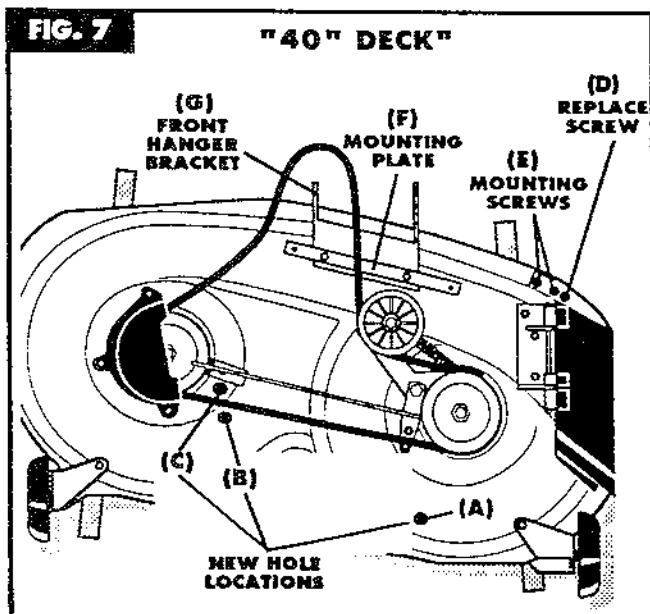
ASSEMBLY

40" HOUSING:

- Referring to (FIG. 5), the mounting holes used are "A", "B" & "C". Locate holes on deck per (FIG. 7).
- Install into hole "A" on mower deck a 1/4 x .88" hex head screw with the head inside the cutting chamber. Place two (2) spacers over screw and install air pump using a 1/4" lock nut, leave loose.
- Install into hole "B" a 1/4 x 1.63" screw with five (5) spacers, and hole "C" with a 1/4 x 1.63" screw and three (3) spacers. Tighten all nuts securely.
- Attach brake rod selected earlier into the idler arm assembly (24), and the threaded end thru the blade brake assembly (19) shown in (FIG. 11 INSET A). Attach rod with nut (27) and adjust per Blade Brake Adjustment section in Owner's Manual.
- Re-attach tension spring (23) shown in (FIG. 3) from the idler assembly to the right hand quill assembly.
- Replace screw "D", (FIG. 7) with a 5/16 x 1.50" long hex head screw. Tighten 5/16" lock nut from original screw. Install a second 5/16" lock nut from parts bag on top of the first nut.

NOTE: If your mower is equipped with an auxiliary front gauge wheel, the lower two (2) mounting screws "E" will need to be replaced with two (2) 5/16 x .50" screws.

- Attach mounting plate (F) by removing top nuts from front hanger bracket (G). Install mounting plate using the two (2) center holes with the long end extending toward the discharge chute. Re-tighten nuts securely. Continue assembly with Step 3.



42"/43" HOUSING:

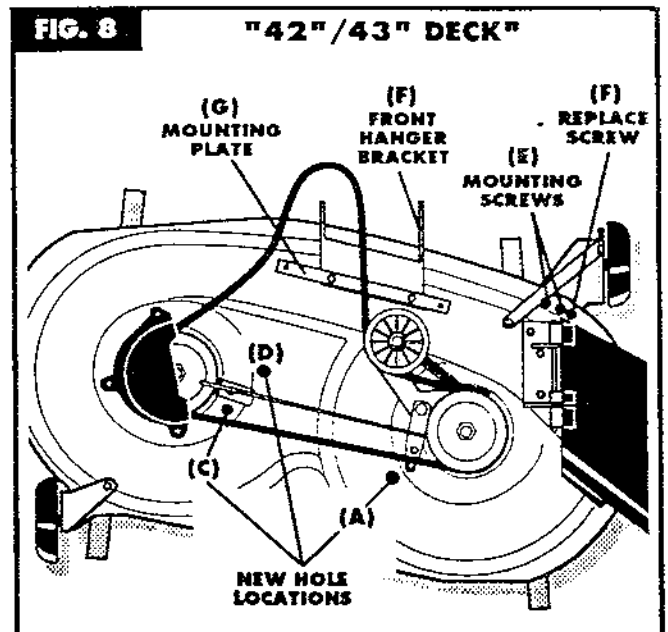
- Referring to (FIG. 5), the mounting holes used are "A", "C" & "D". Locate the holes in the deck per (FIG. 8).
- Install into hole "A" of mower deck a 1/4 x .88" hex head screw with threaded end inside the cutting chamber. Place two (2) spacers over screw and install air pump by using a 1/4" lock nut. Leave Loose.
- Install into hole "C", a 1/4 x 1.63" screw with six (5) spacers and hole "D" with five (6) spacers.

NOTE: Hole "D" is located inside the blower housing. Tighten all nuts securely.

- Attach brake rod selected earlier into the idler arm assembly (24) and the threaded end thru the Blade Brake Assembly (19) shown in (FIG. 11 INSET A). Attach rod with nut (27) and adjust per Blade Brake Adjustment section of the Owner's Manual.
- Re-attach the tension spring (23) shown in (FIG. 3) from the idler assembly to the right hand quill assembly.
- Replace screw "F" with a 5/16 x 1.50" long hex head screw, tighten the 5/16" lock nut from the original screw. Install a second 5/16" lock nut from parts bag on top of the first nut.

NOTE: If your mower is equipped with an auxiliary front gauge wheel, the lower two (2) mounting screws "E" will need to be replaced with two (2) 5/16 x .50" screws.

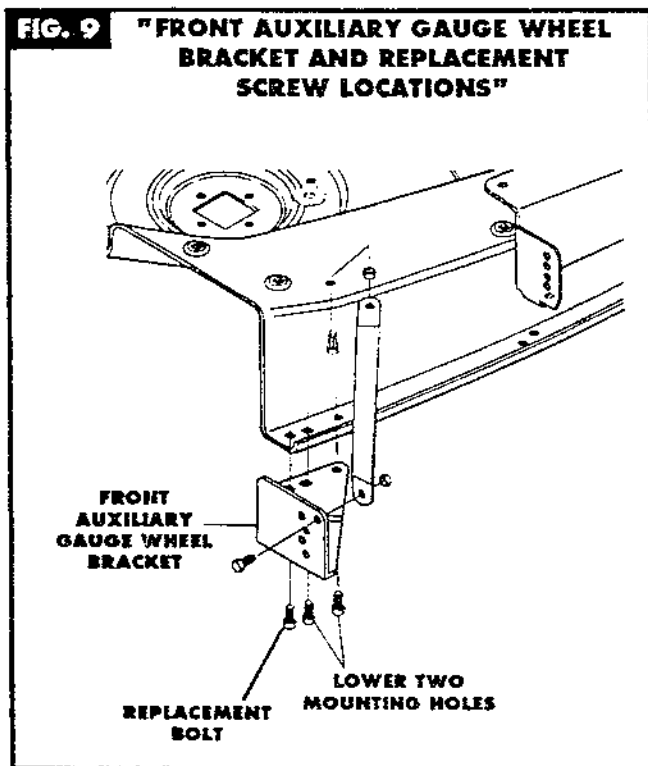
- Attach mounting plate (G) by removing the top nuts from the hanger bracket (H). Install mounting plate using the two (2) center holes, with the short end extending toward the discharge chute. Re-tighten nuts securely. Continue assembly with Step 3.



ASSEMBLY

MOWER DECK ASSEMBLY CONT.:

3. Attach flex hose assembly to the blower housing as shown in (FIG. 11). Press in firmly assuring that the duct end locks securely into the blower assembly.
4. Refer to the cover illustration for the routing of the drive belt.
5. Attach chute end of flex hose assembly to the housing using the long bolt installed on chute in **Deck Set-Up**. Add a washer (24), then install air duct (23), a penetrating washer (25) and a nut (26) shown in (FIG. 11). Hold chute end tight to mower deck as you tighten nut.
6. Hook tension spring (33) shown in (FIG. 11) to tab "X" on flex hose assembly into nearest hole on mounting plate.

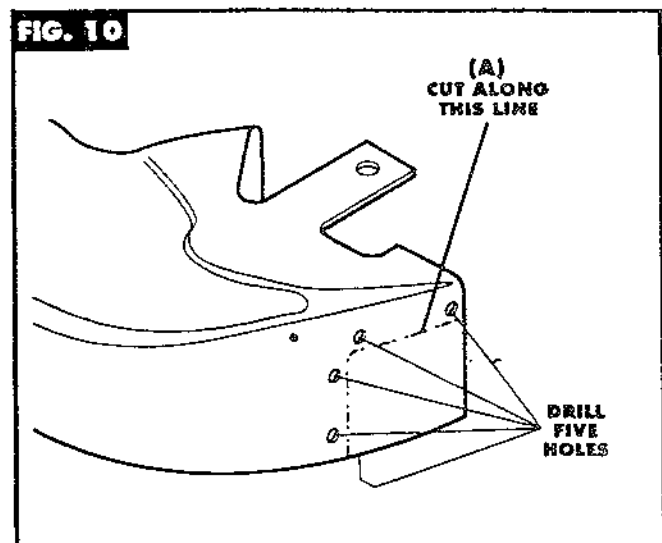


7. Refer to the cover illustration for the routing of the belt.
8. Re-install mower deck under unit. Refer to the **Mower Deck Removal** paragraph in the **Maintenance Section** of your owner's manual.
9. Place flex hose on hose plate installed in **Step 4 of Tractor Frame**. Secure using latch spring (36), lock over and under hose plate as shown in (FIG. 11).

CHUTE ASSEMBLY

1. If your mower has been operated, clean any accumulation of clippings from chute. Located on the front lower corner of the discharge chute is a trim line & five drill point dimples.
2. Cut along line (A) molded into lower front edge on discharge chute as shown in (FIG. 10).
3. Drill five (5) holes with a 3/16" (5.m) diameter drill (FIG. 10).
4. Selecting the proper inlet, 39" require the short inlet and the 40"/42"/43" require the long inlet, attach the inlet (29) or (29-A) to the inside of the chute cut out shown in (FIG.11) using five screws (30) and five nuts (31). (**Start all screws in their proper holes before tightening**).
5. Assemble the remainder of your grass catcher using your **Grass Catcher Owner's manual**.

Note: It is recommended that you check all adjustments per the **Mower Deck Adjustments** paragraphs in the **Adjustments** section of your **Owner's manual**. We do not recommend that you cut in high cut or use your air assist unless the entire grass collector system is installed.



ASSEMBLY

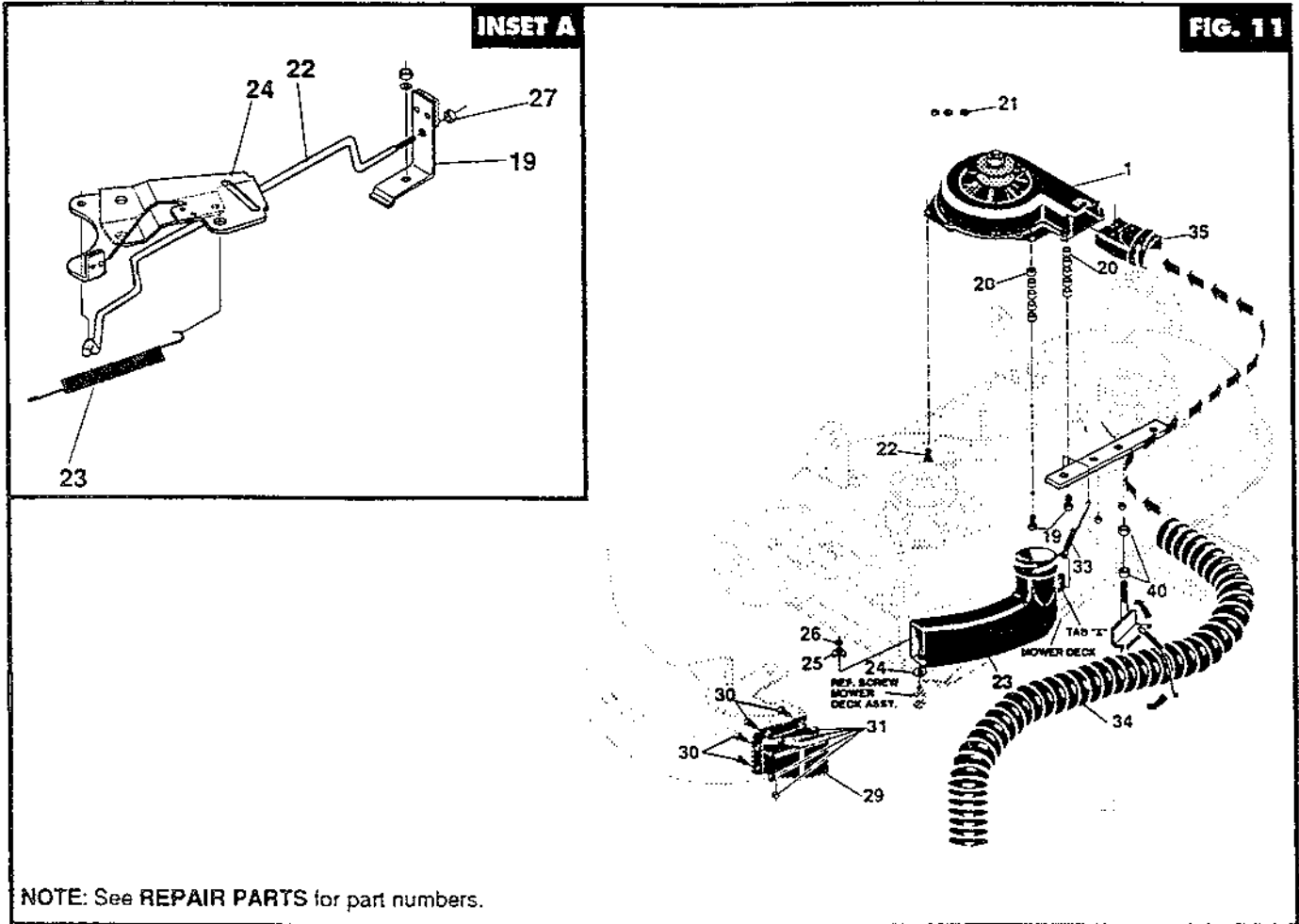
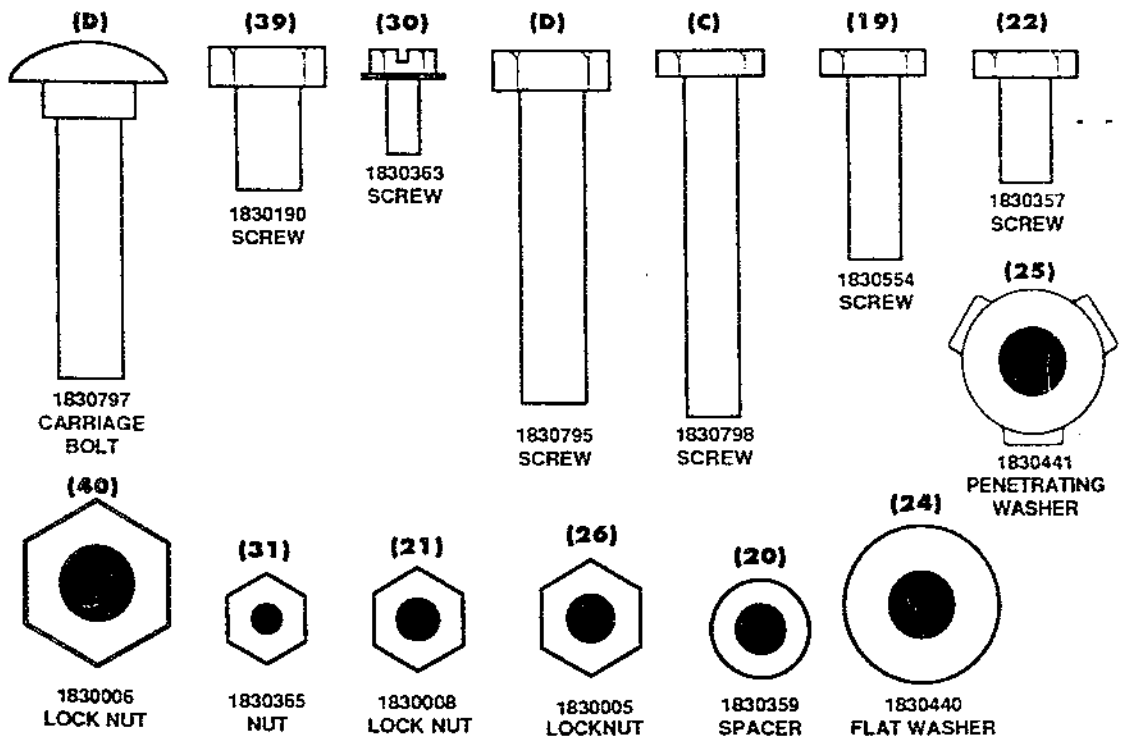
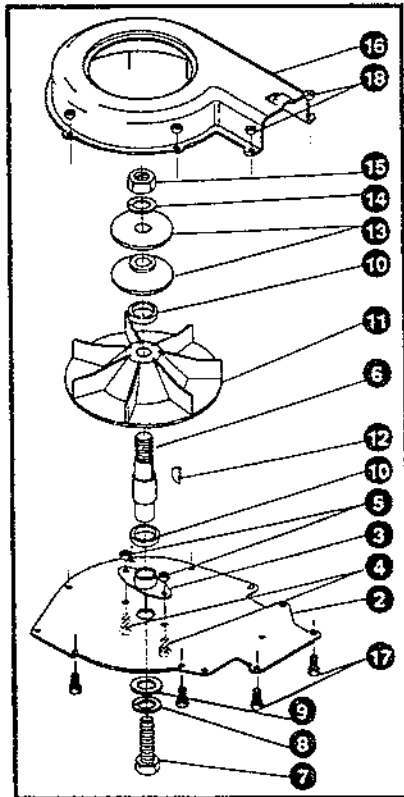


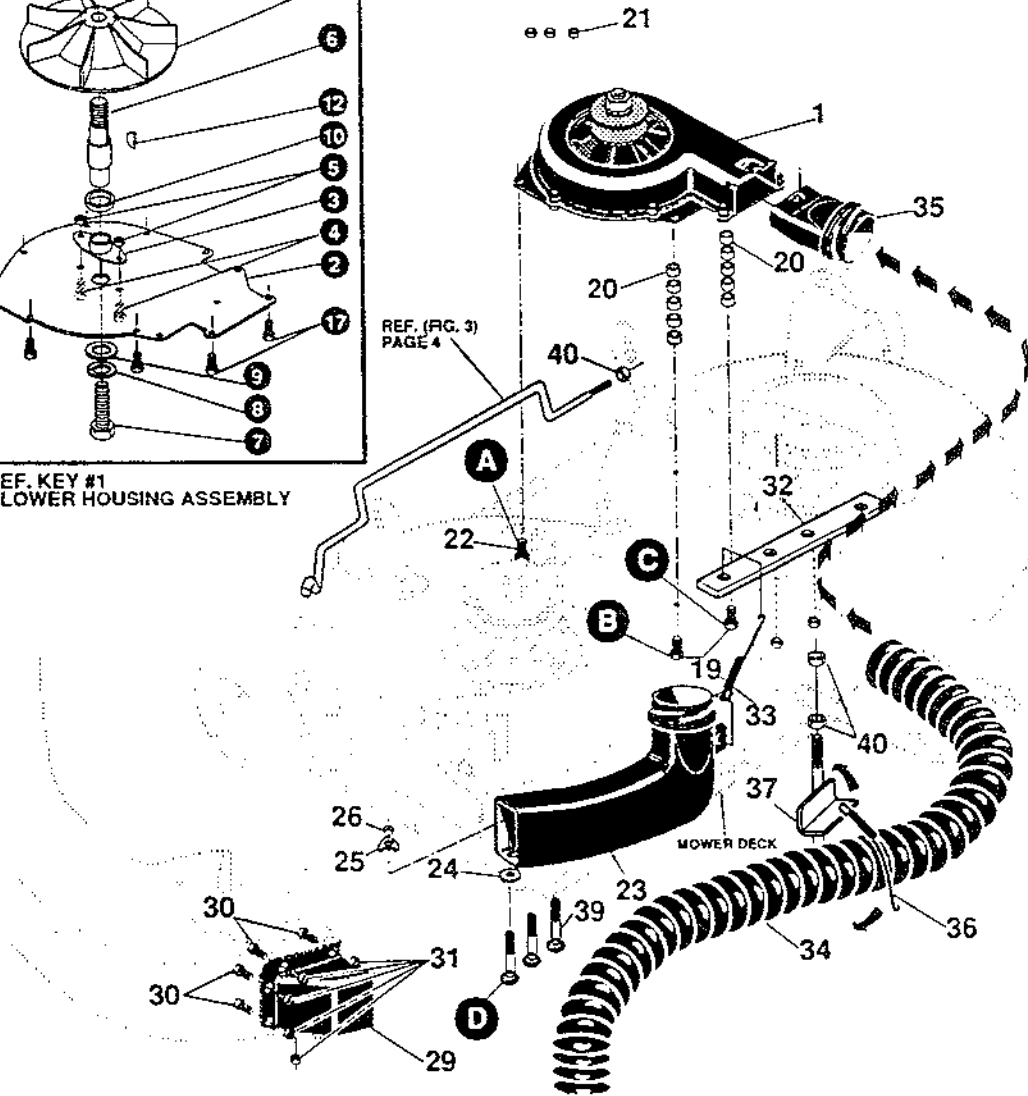
FIG. 12



REPAIR PARTS



REF. KEY #1
BLOWER HOUSING ASSEMBLY



	#1 38"/39" DECK	38"/39" # OF SPACERS	#2 40" DECK	40" # OF SPACERS	#3 42"/43" DECK	42"/43" # OF SPACERS
SCREW "A"	1830357 - 1/4-20 X .50	0	1830554 - 1/4-20 X .80	2	1830554 - 1/4-20 X .80	2
SCREW "B"	1830554 - 1/4-20 X .80	2	1830798 - 1/4-20 X 1.63	5	1830798 - 1/4-20 X 1.63	6
SCREW "C"	1830554 - 1/4-20 X .80	2	1830798 - 1/4-20 X 1.63	3	1830798 - 1/4-20 X 1.63	5
SCREW "D"	1830797 - 5/16-18 X 1.25	0	1830795 - 5/16-18 X 1.50	0	1830795 - 5/16-18 X 1.50	0

REPAIR PARTS

NOMA

KEY#	PART#	KEY#	PART#	DESCRIPTION	QTY.
1.	323883	1.	1830801	ASM. BLOWER, AIR-ASSIST	1
2.	316401	2.	1830802	MP LOWER PLATE BLOWER	1
3.	317135	3.	1830442	FLANGED BEARING	1
4.	120854	4.	1830191	SCREW, 1/4-20X .63 HHC GR2	2
5.	1502	5.	1830008	NUT, 1/4-20 REGHEXCTRLK	2
6.	314770	6.	1830433	SHAFT, BLOWER AIR ASSIST	1
7.	181596	7.	1830437	SCREW, 5/16-24X .88 HHC GR5	1
8.	120638	8.	1830189	WASHER, HVSP TLK .328X.60X.09	1
9.	45602	9.	1830055	WASHER, FLAT .333X .87X.119	1
10.	314929	10.	1830431	SPACER, SLEV .834X .23X1.00	2
11.	313761	11.	1830432	IMPELLER, AIR ASSIST	1
12.	35075	12.	1830434	KEY, HI-PRO 404 .50DIA X.125WD	1
13.	313774	13.	1830430	PULLEY, 5L PUMP(AIR ASSIST)	2
14.	120384	14.	1830429	WASHER, REGSPTLK.523X.87X.14	1
15.	120371	15.	1830428	NUT, 1/2-20 HEX	1
16.	316402	16.	1830803	MP IMPELLER HOUSING BLOWER	1
17.	443874	17.	1830436	SCREW, 10-24X .50 HHMA GR2	7
18.	312300	18.	1830800	NUT, #10-24 REGHEXCTRLK	7
19.	180021	19.	1830554	SCREW, 1/4-20X .88 HHC GR5Z	2
20.	3943	20.	1830359	SPACER, SLEV .250X .47X .20	13
21.	1502	21.	1830008	NUT, 1/4-20 REGHEXCTRLK	3
22.	120706	22.	1830357	SCREW, 1/4-20X .50 HHC GR2	1
23.	327852	23.	1830791	AIR DUCT AIR ASSIST	1
24.	996407	24.	1830440	WASHER, FLAT .328X .75X.077	1
25.	321510	25.	1830441	WASHER, PENETRATING .32X.68X.09	1
26.	1498	26.	1830005	NUT, 5/16-18 REGHEXCTRLK	1
29	316421	29	1830344	INLET, CHUTE AIR-ASSIST	1
29A	316987	29A	1830804	INLET, CHUTE AIR ASSIST	1
30.	318377	30.	1830363	SCREW, 10-32X .50 SLWAHH BLKOX	5
31.	314159	31.	1830365	NUT, #10-32 CTRLK BLKOX	5
32.	328155	32.	1830793	PLATE MOUNTING	1
33.	328196	33.	1830796	SPRING TENSION AIR ASSIST	1
34.	328068	34.	1830792	FLEX HOSE	1
35.	327851	35.	1830790	AIR DUCT AIR ASSIST	1
36.	328659	36.	1830799	SPRING-LATCH AIR ASSIST FLEX	1
37.	327894	37.	1830794	ASSEMBLY - UP STOP	1
38.	315303	38.	1830349	BRAKE ROD - 38/39	1
	315396		1830395	BRAKE ROD - 40	1
	315304		1830805	BRAKE ROD - 42/43	1
39.	180073	39.	1830190	SCREW, 5/16-18 X .50	2
40.	1499	40.	1830006	NUT, 3/8-16 REGHEXCTRLK	2



**Yvan Béal - 21, av. de l'Agriculture - B.P. 16
Z.I. du Brézet - 63014 Clermont-Ferrand Cedex 2
Tél : 04 73 91 93 51 - Télécopie : 04 73 90 23 11
www.yvanbeal.fr - E-mail : info@yvanbeal.fr
R.C.S. Clermont-Fd B 304 973 886 - S.A.S. au capital de 612 000 €**