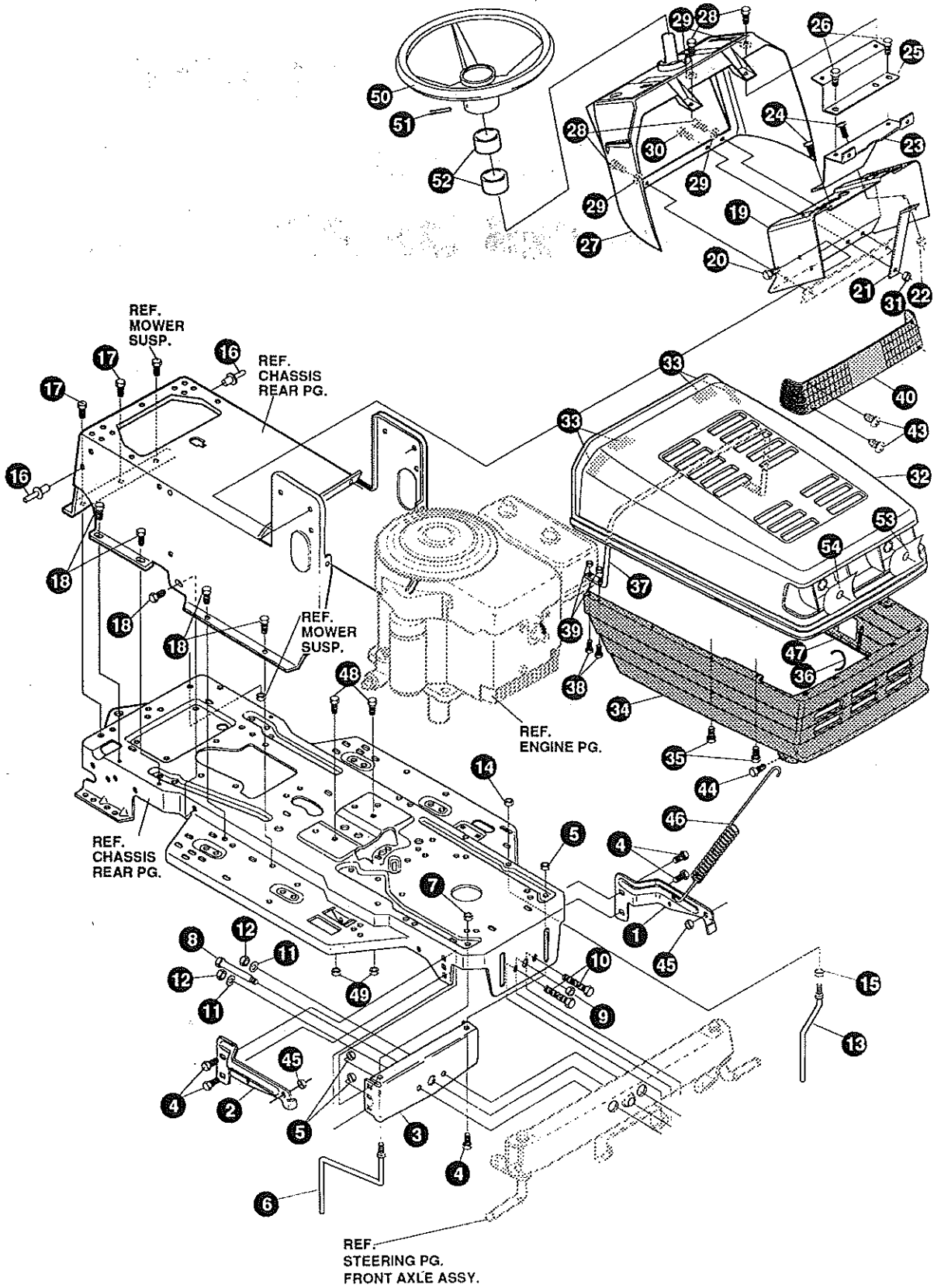


**TONDEUSE AUTOPORTEE
CAST 13
MANUEL PIÈCES DE RECHANGE**



Modèle F3560-260

ENSEMBLE CHASSIS & CAPOT (AVANT)



UTILISEZ DES PIÈCES D'ORIGINE POUR
CONSERVER L'APPLICATION DE LA GARANTIE

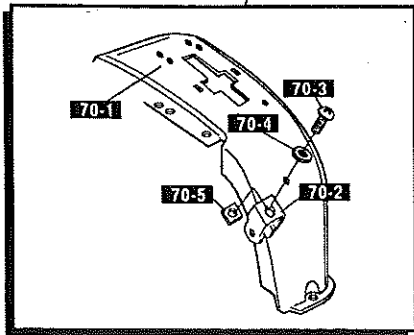
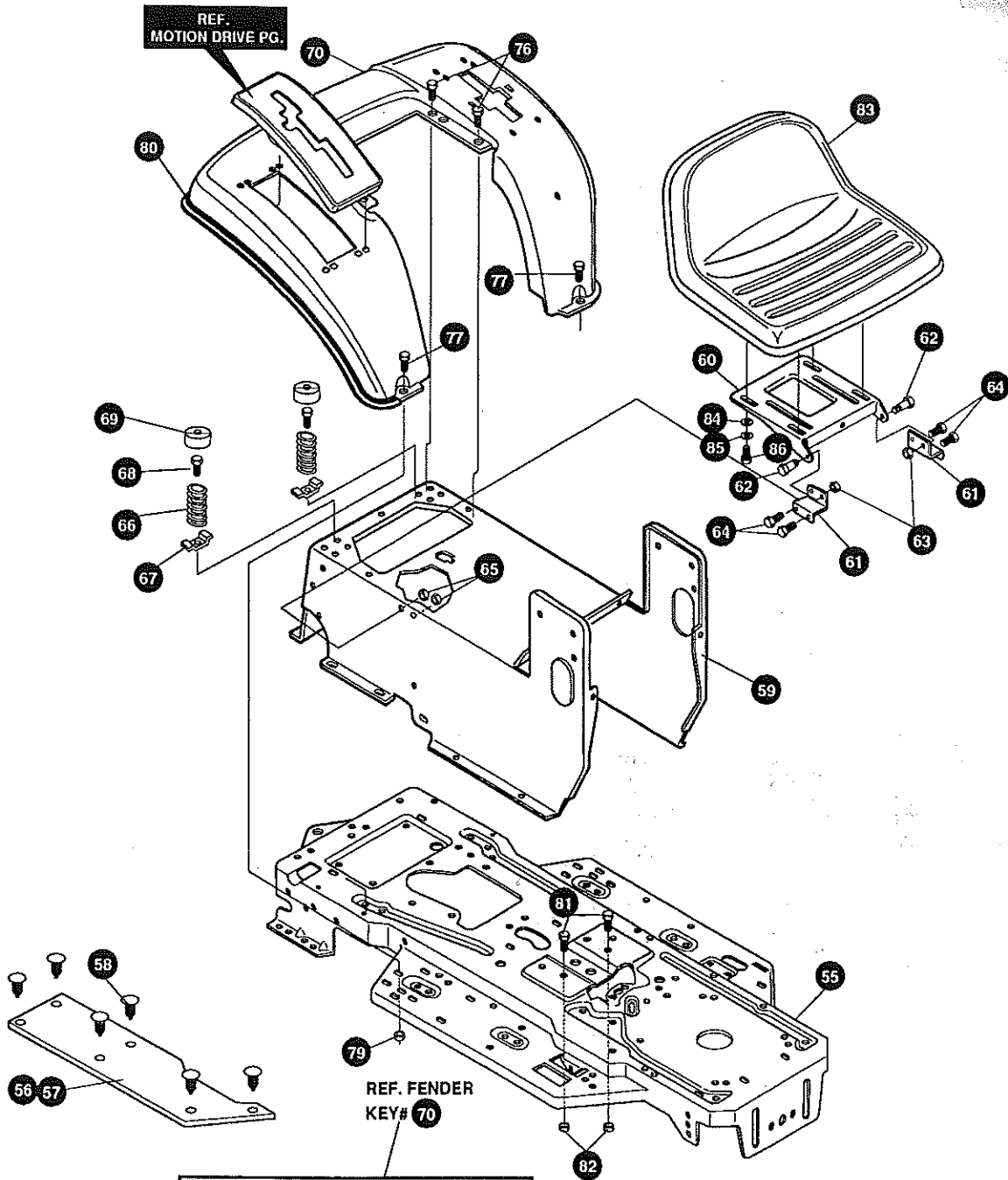
TOUTES LES PIÈCES NON
REFEREES SONT
INTERCHANGEABLES AVEC
LEURS OPPOSEES.

325876 E

TRACTEUR TONDEUSE 40" MODÈLE F3560-260

KEY#	PART#	DESCRIPTION	QTY
1	326569-853	BRACKET, GRILLE, LH	1
2	326568-853	BRACKET, GRILLE, RH	1
3	313541-853	BRACKET, FRONT AXLE	1
4	56030	SCREW, 5/16-18 X .75 WDFLLK	5
5	55273	NUT, 5/16-18 WDFLLKLRG, WHIZ	5
6	300440	GUIDE, BELT, RIDER	1
7	1498	NUT, 5/16-18 REGHEXCTRLK	1
8	308207	BOLT, .625 X 2.18 HSSH, 1/2-13	1
9	309008	NUT, 1/2-13 HEXJAM CTRLK	1
10	180138	SCREW, 3/8-16 X 3.00 HHC	2
11	2483	WASHER, .39 ID X 1.25 D X .07 BELLVIL	2
12	1499	NUT, 3/8-16 REGHXCTRLK	2
13	300635	GUIDE, BELT, SHORT, 15" WHEEL	1
14	124824	NUT, 5/16-18 HEXJAM	1
15	271190	NUT, 3/8-16 HEXKEPS	1
16	46763	RIVET, POP .187 DIA X .450 LONG	3
17	35497	SCREW, 5/16-18 X .50 WAHHTAP	2
18	995346	SCREW, 1/4-20 X .50 WAHHTAP	10
19	58312-853	SUPPORT, DASH, STEEL	1
20	300303	SCREW, .25 X .75 X .51 HHWAPLASTITE	2
21	300201-853	BRACE, DASH, SUPPORT, LOWER	1
22	1502	NUT, 1/4-20 REGHEXCTRLK	1
23	302530-853	BRACKET, GAS TANK	1
24	995346	SCREW, 1/4-20 X .50 WAHHTAP	2
25	300264-853	BRACE, DASH, SUPPORT, UPPER	1
26	995346	SCREW, 1/4-20 X .50 WAHHTAP	2
27	305428	DASH, GP, W/O GRAPHIC, SUS, BLACK	1
28	995346	SCREW, 1/4-20 X .50 WAHHTAP	4
29	316868	WASHER, SHOULDER NYLON, .255 X .46	4
30	44811	SCREW, 1/4-20 X .75 WAHHTAP	1
31	1502	NUT, 1/4-20 REGHEXCTRLK	1
32	307058	HOOD, H-11, PLASTIC, GREY	1
33	318197	PAD, ADHESIVE 1.00 X 1.50 X .12	4
34	328044	GRILL, LOWER, GPWR, LONG, G-14, GREY	1
35	300302	SCREW, #10 X .50 HHTAPPST, BLACK	4
36	310203	CLIP, HOG RING, C-SHAPED	1
37	301425	BRACE, HOOD SUPPORT, H-11, GP	1
38	301542	SCREW, 10-24 X 1.00 HWATAP, BLACK	4
39	308459	NUT, #10-24 HXHDNYLK	4
40	302333	LENS, SMOKED, W/TAB, NO LOGO	1
43	57796	SCREW, #6 X .50 PLASTITE/HI-LO	4
44	56676	BOLT, .375 X .580 HSSH, 5/16-18	2
45	1498	NUT, 5/16-18 REGHEXCTRLK	2
46	57478	SPRING, HOOD LATCH	2
47	301452	FOIL, HEAT REFLECTOR	1
48	180079	SCREW, 5/16-18 X 1.00 HHC	2
49	1498	NUT, 5/16-18 REGHEXCTRLK	2
50	330510	STEERING WHEEL	1
51	456378	PIN, SPRING .250 DIA X 2.00 LONG	1
52	301413	SPACER, STEERING SHAFT	2
53	301541	FOIL, REFLECTOR LENS, H-11, LH	1
54	301540	FOIL, REFLECTOR LENS, H-11, RH	1
	336044	PARTS MANUAL	1
	335492	OPERATOR'S MANUAL (FRENCH)	1
	327627	GRASS CATCHER MANUAL	1
	328195	AIR ASSIST MANUAL (ENGLISH)	1
	330272	AIR ASSIST MANUAL (FRENCH)	1
	330273	AIR ASSIST MANUAL (GERMAN)	1

ENSEMBLE CHASSIS & CAPOT (ARRIERE)



UTILISEZ DES PIÈCES D'ORIGINE POUR
CONSERVER L'APPLICATION DE LA GARANTIE

TOUTES LES PIÈCES NON
REFEREES SONT
INTERCHANGEABLES AVEC
LEURS OPPOSEES.

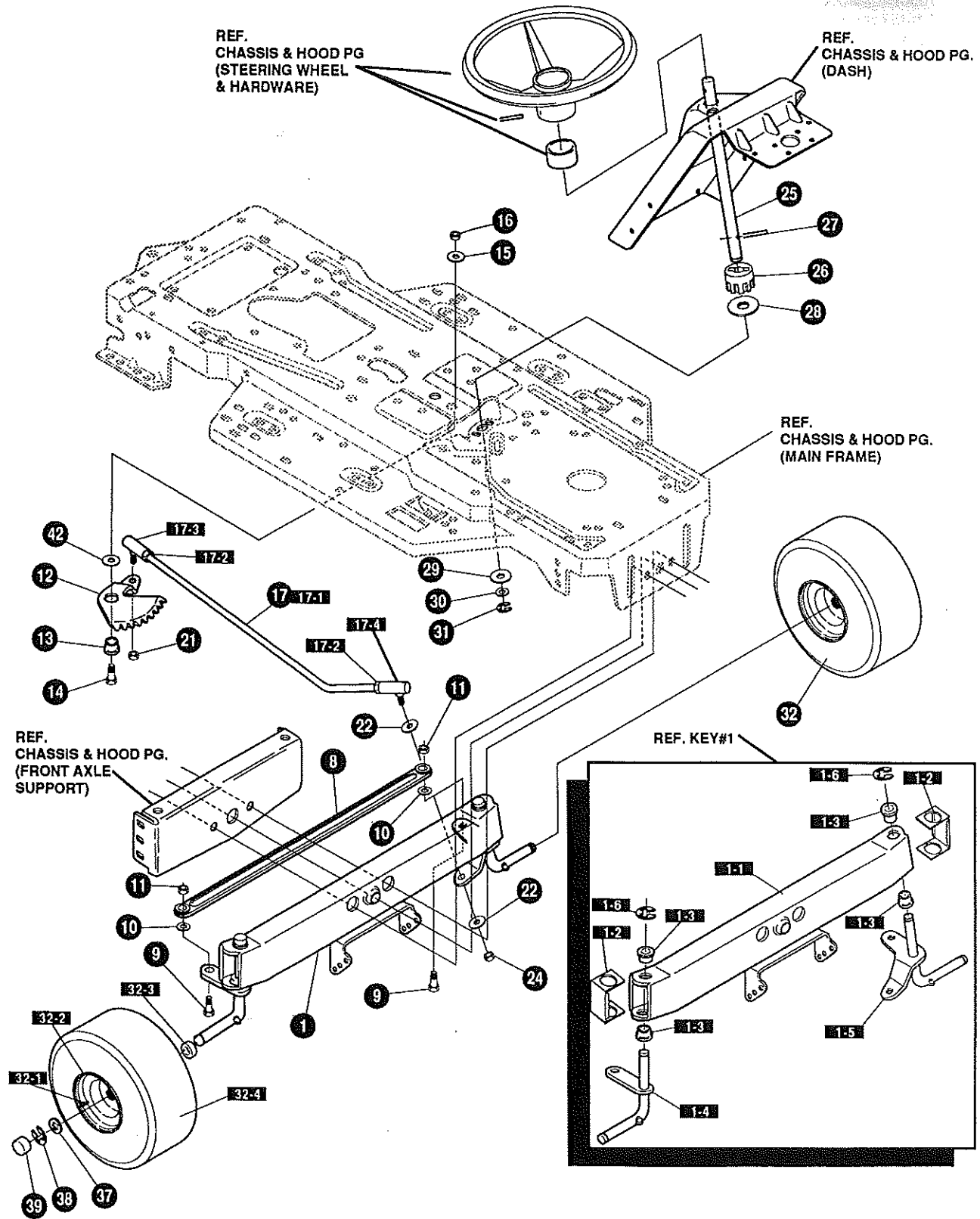
325904 D

TRACTEUR TONDEUSE 40" MODÈLE F3560-260

KEY#	PART#	DESCRIPTION	QTY
55	335697-854	FRAME, MAIN	1
56	310005	FOOT PAD, LH, 22.12 LONG	1
57	310006	FOOT PAD, RH, 22.12 LONG	1
58	309235	FASTENER, RATCHET, BLACK	12
59	327575-854	CONSOLE, NON-WALK THRU	1
60	58367-854	PLATE, SEAT	1
61	310660-854	BRACKET, SEAT SUPPORT	2
62	20507	BOLT, .437 X .156 HSH, 5/16-18	2
63	1498	NUT, 5/16-18 REGHEXCTRLK	2
64	48901	SCREW, 5/16-18 X .63 WAHHC	4
65	1498	NUT, 5/16-18 REGHEXCTRLK	4
66	57153	SPRING, SEAT 2.63 LONG, 1.49 OD, BLACK	2
67	1341	CLAMP, SPRING 1.17" ID	2
68	44811	SCREW, 1/4-20 X .75 WAHTAP	2
69	56907	COVER, SEAT SPRING, 1.5 ID X 1.0 LONG	2
70	327471-896	ASSEMBLY, FENDER	1
70-1	*	FENDER	1
70-2	9239	CLEVIS	1
70-3	439455	SCREW, 5/16-18 X .56 PHPNMA	1
70-4	301551	WASHER, .344 ID X 1.5 OD X .09 CU	1
70-5	120373	NUT, 5/16-18 SQUARE	1
76	995346	SCREW, 1/4-20 X .50 WAHTAP	4
77	126358	BOLT, 5/16-18 X 1.00 CARRLN	2
79	55273	NUT, 5/16-18 WDFLLKLRG WHIZ	2
80	55023	TRIM, STRIP, BLACK—SMALL, W/ ADH	77.5"
81	180079	SCREW, 5/16-18 X 1.00 HHC	2
82	1498	NUT, 5/16-18 REGHEXCTRLK	2
83	332567	SEAT, MICHIGAN GEN, W/SWITCH HOLE	1
84	120393	WASHER, FLAT .344 X .69 X .065	4
85	120638	WASHER, HVSPTLK .328 X .60 X .09	4
86	180077	SCREW, 5/16-18 X .75 HHC	4

* REFERENCE ONLY

ENSEMBLE DE DIRECTION



UTILISEZ DES PIÈCES D'ORIGINE POUR
CONSERVER L'APPLICATION DE LA GARANTIE

TOUTES LES PIÈCES NON
REFEREES SONT
INTERCHANGEABLES AVEC
LEURS OPPOSEES.

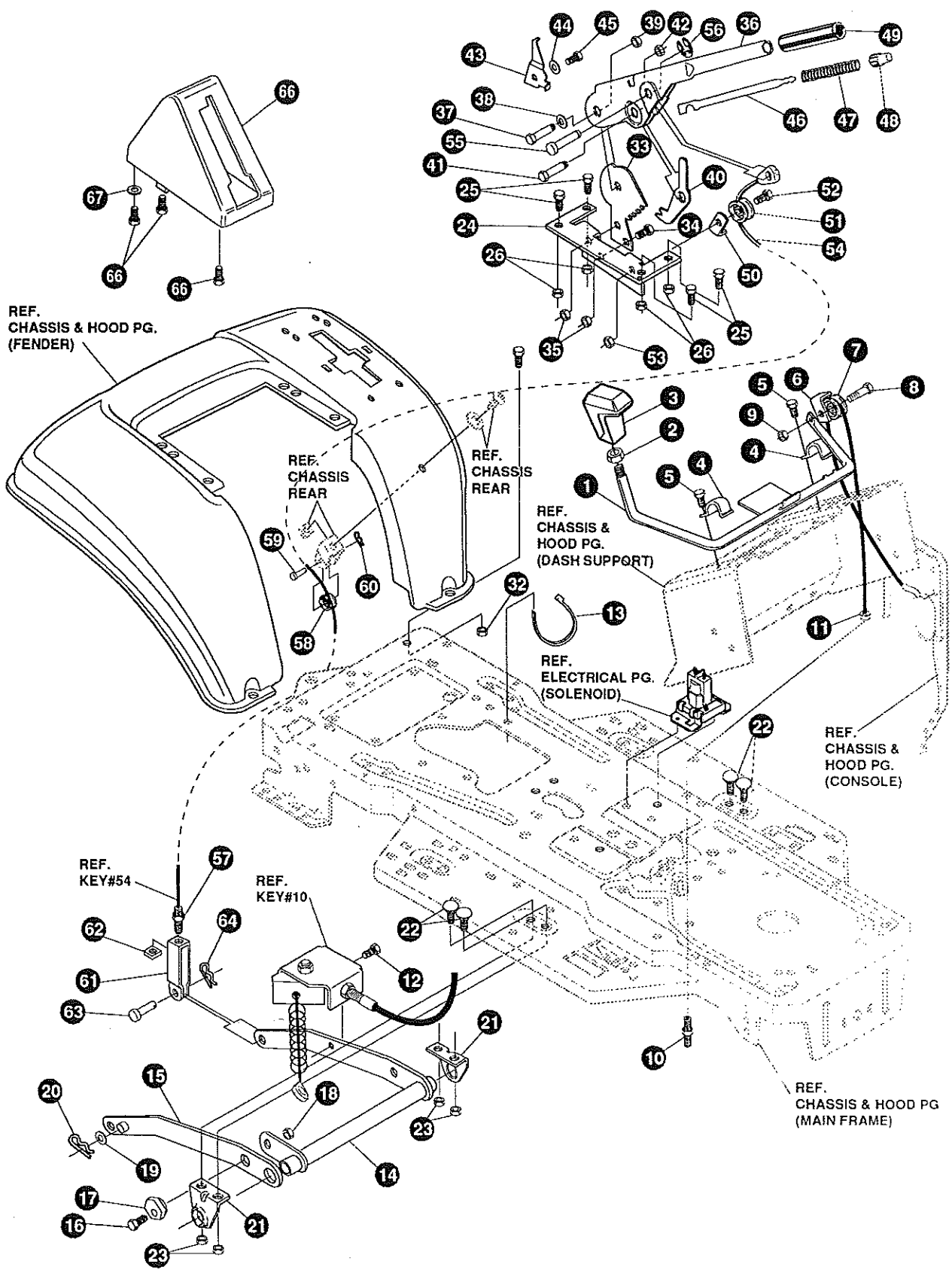
315136 L

TRACTEUR TONDEUSE 40" MODÈLE F3560-260

KEY#	PART#	DESCRIPTION	QTY
1	*	ASSEMBLY, AXLE FRONT, 4/WS	1
1-1	310170	AXLE, FRONT	1
1-2	53373-853	AXLE COVER	2
1-3	52407	SPINDLE BEARING	4
1-4	302926	ASSEMBLY, SPINDLE, RH	1
1-5	315886	ASSEMBLY, SPINDLE, LH	1
1-6	36625	RING, RETEX .57 X .05 TRU 5133-75	2
8	304590	TIE ROD ASSEMBLY, 19.81 LONG W-SECTION	1
9	180128	SCREW, 3/8-16 X 1.75 HHC	2
10	120382	WASHER, REGSPTLK.393 X .68 X .10	2
11	1499	NUT, 3/8-16 REGHXCTRLK	2
12	58289	SECTOR, STEERING, LF	1
13	52406	BEARING, FL ECC.510 ID X .998 OD X .56	1
14	180177	SCREW, 1/2-13 X 1.50 HHC	1
15	22265	WASHER, FLAT .515 X 1.38 X .119	1
16	1500	NUT, 1/2-13 REGHXCTRLK	1
17	311100	KIT 300146 DRAGLINK	1
17-1	58291	STEERING LINK	1
17-2	124925	NUT, 3/8-24 REGHEXJAM	2
17-3	57158	BALL JOINT, 3/8 THD, SHORT STUD	1
17-4	21275	BALL JOINT, 3/8 THD, LONG STUD	1
21	412349	NUT, 3/8-24 HXCTRLK	1
22	996416	WASHER, FLAT .391 X 1.00 X .125	2
24	412349	NUT, 3/8-24 HXCTRLK	1
25	332558	SHAFT, STEERING, LF, 2WS	1
26	58244	PINION, STEERING, LF	1
27	58274	PIN, DOWEL .2500 OD+1.75 LONG	1
28	301410	BEARING, FL .752 ID X 1.061 OD X .24	1
29	301398	WASHER, FORMED1.135 X 1.53 X .12	1
30	21682	WASHER, FLAT .765 X 1.25 X .042	1
31	36625	RING, RETEX .57 X .05 TRU 5133-75	1
32	302828	TIRE & RIM ASSEMBLY, PU 15 X 6.0 X 6	2
32-1	24167	VALVE STEM	
32-2	39829	RIM, WHEEL	
32-3	314416	BEARING, FLANGE	
32-4	316702	TIRE, PU 15 X 6.0 X 6	
37	642	WASHER, FLAT .755 X 1.31 X .075	4
38	36625	RING, RETEX .57 X .05 TRU 5133-75	2
39	40394	HUB CAP, 1.500 ID X 7/8 LONG	2
42	49998	WASHER, FLAT .520 X 1.25 X .209	1

* ORDER INDIVIDUAL PARTS - ASSEMBLY NOT AVAILABLE

ENSEMBLE DE SUSPENSION DE LA TONDEUSE



UTILISEZ DES PIÈCES D'ORIGINE POUR
CONSERVER L'APPLICATION DE LA GARANTIE

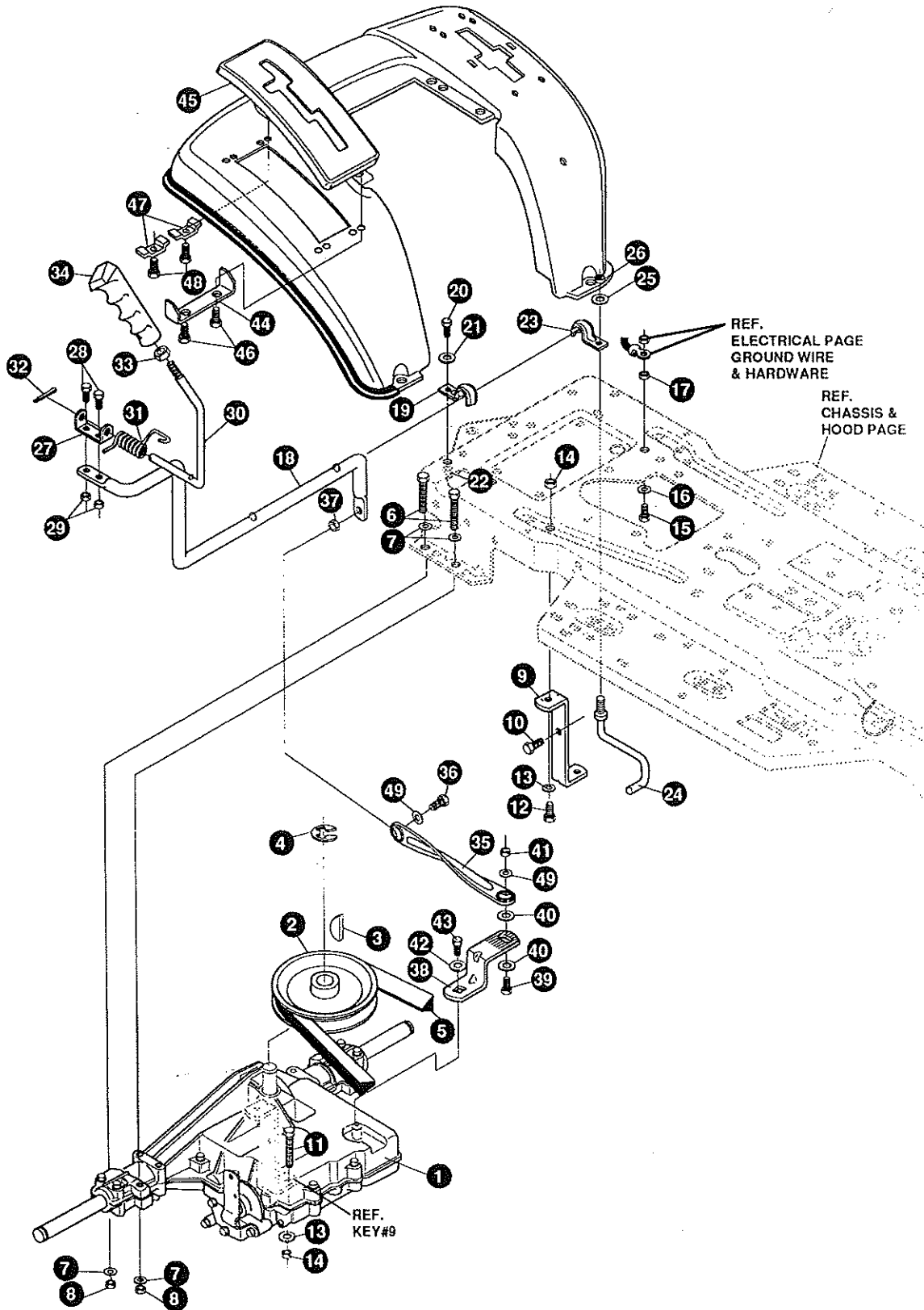
TOUTES LES PIÈCES NON
REFEREES SONT
INTERCHANGEABLES AVEC
LEURS OPPOSEES.

315597 I

TRACTEUR TONDEUSE 40" MODÈLE F3560-260

KEY#	PART#	DESCRIPTION	QTY
1	303044-853	ASSEMBLY, WELD, CLUTCH HANDLE	1
2	120238	NUT, 1/2-13 HEXJAM	1
3	304438	KNOB, SHIFT, 1/2-13, BLACK	1
4	9129	CLIP, RETAINER BRACKET	2
5	44811	SCREW, 1/4-20 X .75 WAHHTAP	2
6	1288	BRACKET, CABLE RETAINER	1
7	48306	PULLEY, POWDER METAL	1
8	57322	BOLT, .375 X .375 HSH, 1/4-20	1
9	1502	NUT, 1/4-20 REGHEXCTRLK	1
10	301491	ASSEMBLY, CLUTCH CABLE, 39" SD, SUS	1
11	120613	NUT, 1/4-28 HJAM	1
12	35498	SCREW, 5/16-18 X .75 WAHHTAP	1
13	57444	TIE, CABLE BLACK NYLON, 5.62 LONG	1
14	300158-853	LIFT ASSEMBLY, LH	1
15	300169-853	LIFT ASSEMBLY, RH	1
16	180079	SCREW, 5/16-18 X 1.00 HHC	1
17	58247	NUT, ADJUST	1
18	1498	NUT, 5/16-18 REGHEXCTRLK	1
19	417098	WASHER, FLAT .531 X 1.06 X .063	2
20	8260	PIN, HAIR .091 DIA X 1.66 LONG	2
21	58248-853	BRACKET, REAR HANG SUSPENSION	2
22	57072	BOLT, 5/16-18X .63 CARRLN	4
23	1498	NUT, 5/16-18 REGHEXCTRLK	4
24	313926	BRACKET, HEIGHT/ADJUST SUPPORT	1
25	180077	SCREW, 5/16-18 X .75 HHC	4
26	1498	NUT, 5/16-18 REGHEXCTRLK	4
31	180077	SCREW, 5/16-18X .75 HHC	1
32	1498	NUT, 5/16-18 REGHEXCTRLK	1
33	301238	QUADRANT, HEIGHT ADJUST	1
34	180077	SCREW, 5/16-18 X .75 HHC	2
35	1498	NUT, 5/16-18 REGHEXCTRLK	2
36	322292-853	HANDLE,LIFT SHORT(30" S.F.)	1
37	300171	BOLT, .500 X .270 HSH, 5/16-18	1
38	996418	WASHER, FLAT .506 X .75 X .024	1
39	44108	NUT, 5/16-18 HWDFLCTRLK	1
40	301239	PAWL, SQUARE	1
41	300171	BOLT, .500 X .270 HSH, 5/16-18	1
42	44108	NUT, 5/16-18 HWDFLCTRLK	1
43	9435	POINTER, HEIGHT ADJUST	1
44	138479	WASHER, EXLK .195 X .41 X .03	1
45	35287	SCREW, #8-32 X .38 HHWATAP	1
46	303027	ROD, ACTUATOR-SHORT	1
47	58326	SPRING, HEIGHT ADJUST	1
48	58325	KNOB, HEIGHT ADJUST, PUSH BUTTON	1
49	58329	GRIP, .750 OD W/ HOLE, BLACK	1
50	9149	BRACKET, CABLE RETAINER	1
51	48306	PULLEY, POWDER METAL	1
52	58336	BOLT, .375 X .375 HSH 1/4-20	1
53	1502	NUT, 1/4-20 REGHEXCTRLK	1
54	314177	CABLE, LIFT 22.92, F-5, 20 X 8-8	1
55	300310	PIN, CLEVIS .310 DIA+.475 LONG	1
56	300311	RING, RET E .31 X .25 TRU 5133-31	1
57	120375	NUT, 1/4-20 REGHEX	1
58	48306	PULLEY, POWDER METAL	1
59	300317	PIN, CLEVIS .375 DIA X .81 LONG	1
60	8260	PIN, HAIR .091 DIA X 1.66 LONG	1
61	9405	CLEVIS, LIFT CABLE	1
62	120372	NUT, 1/4-20 REGSQ	1
63	39522	PIN, CLEVIS .312 X .812	1
64	121222	PIN, COTTER .090 DIA X .75 LONG	1
65	333903	LIFT COVER, F5, LF, SF, BLACK	1
66	300340	SCREW, #10 X .75 HHPLAST, BLACK	3
67	120392	WASHER, FLAT .281 X .63 X .065	1

TRANSMISSION



UTILISEZ DES PIÈCES D'ORIGINE POUR
CONSERVER L'APPLICATION DE LA GARANTIE

TOUTES LES PIÈCES NON
REFEREES SONT
INTERCHANGEABLES AVEC
LEURS OPPOSEES.

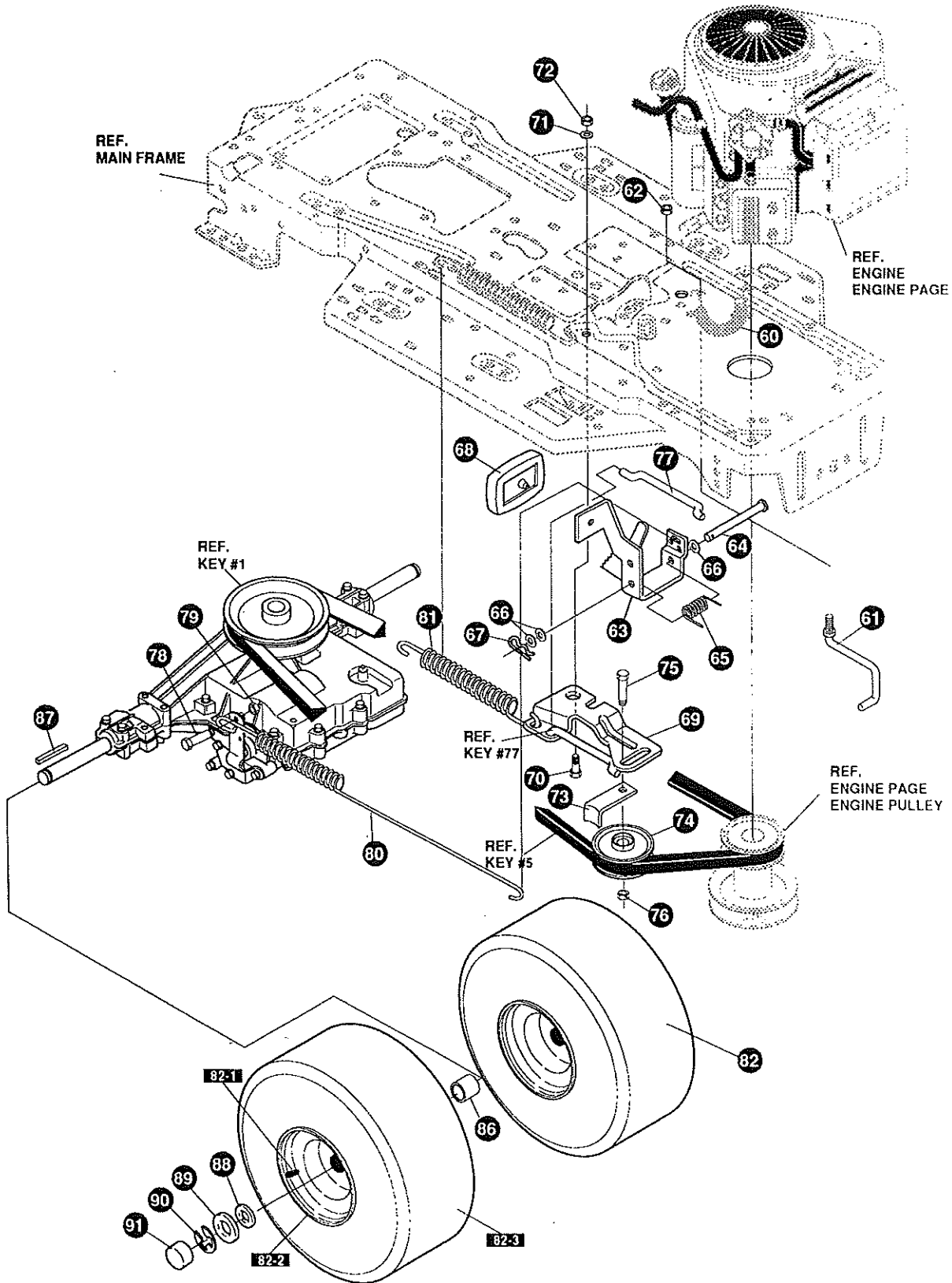
326597 F

TRACTEUR TONDEUSE 40" MODÈLE F3560-260

KEY#	PART#	DESCRIPTION	QTY
1	*	TRANSAXLE, P940-6, 2WS, LF, SF	1
2	302745	PULLEY, 6.6 OD V4L T/A	1
3	50795	KEY, HI-PRO 606, .75 DIA X .187 WD	1
4	22053	RING, RETEX .58 X .035 TRU 5100-62	1
5	314120	BELT, V 4L, 87.25, 4WS, LF	1
6	180091	SCREW, 5/16-18 X 2.50 HHC	4
7	120393	WASHER, FLAT .344 X .69 X .065	8
8	1498	NUT, 5/16-18 REGHEXCTRLK	4
9	325202	BRACKET, STABILIZER	1
10	50947	SCREW, 3/8-16 X 1.25 WAHTAP, BLACK	1
11	180087	SCREW, 5/16-18 X 2.00 HHC	2
12	180079	SCREW, 5/16-18 X 1.00 HHC	1
13	120393	WASHER, FLAT .344 X .69 X .065	2
14	1498	NUT, 5/16-18 REGHEXCTRLK	2
15	180077	SCREW, 5/16-18 X .75 HHC	1
16	138538	WASHER, REGINTLK .320 X .61 X .03	1
17	1498	NUT, 5/16-18 REGHEXCTRLK	1
18	330462	LEVER, SHIFT-LOWER, P940, LF	1
19	310347-853	CLIP- SHIFT LEVER, .625 ROD	1
20	180077	SCREW, 5/16-18 X .75 HHC	1
21	996416	WASHER, FLAT .391 X 1.00 X .125	1
22	1498	NUT, 5/16-18 REGHEXCTRLK	1
23	310347-853	CLIP- SHIFT LEVER, .625 ROD	1
24	57259	GUIDE, BELT 5/16-18 THD	1
25	996416	WASHER, FLAT .391 X 1.00 X .125	1
26	1498	NUT, 5/16-18 REGHEXCTRLK	1
27	310356	BRACKET, PIVOT, SHIFT LEVER	1
28	180020	SCREW, 1/4-20 X .75 HHC	2
29	1502	NUT, 1/4-20 REGHEXCTRLK	2
30	324798	LEVER, SHIFT, UPPER, SOF, 1/2-13	1
31	310265	SPRING, TORSION, .56 X .95 X .095	1
32	137185	PIN, COTTER .125 DIA X 1.00 LONG	1
33	120238	NUT, 1/2-13 HEXJAM	1
34	306690	HANDLE, 1/2-13 MOLDED, BLACK	1
35	325192	LINK, TIE ROD SHIFT, P940-5 & 6 SPD	1
36	180124	SCREW, 3/8-16 X 1.25 HHC	1
37	1499	NUT, 3/8-16 REGHXCTRLK	1
38	327460	BRACKET, SHIFT, 6SP, LF, FENDER	1
39	180124	SCREW, 3/8-16 X 1.25 HHC	1
40	120394	WASHER, FLAT .406 X .81 X .065	2
41	1499	NUT, 3/8-16 REGHXCTRLK	1
42	57157	WASHER, .750 X .250 SP-TRANSAXLE	1
43	56255	SCREW, 1/4-28 X .75 NYLHHC	1
44	311257-853	BRACKET, COVER F-5 FNDR SHIFT	1
45	311209	COVER, PLASTIC, LF, P930/F4360-6	1
46	311331	SCREW, 1/4-15 X .44/.53 HILOHWA	2
47	1341	CLAMP, SPRING 1.17" ID	2
48	311331	SCREW, 1/4-15 X .44/.53 HILOHWA	2
49	120394	WASHER, FLAT .406 X .81 X .065	2

* CONTACT YOUR NEAREST TRANSAXLE DEALER FOR PARTS & SERVICE

TRANSMISSION



UTILISEZ DES PIÈCES D'ORIGINE POUR
CONSERVER L'APPLICATION DE LA GARANTIE

TOUTES LES PIÈCES NON
REFEREES SONT
INTERCHANGEABLES AVEC
LEURS OPPOSEES.

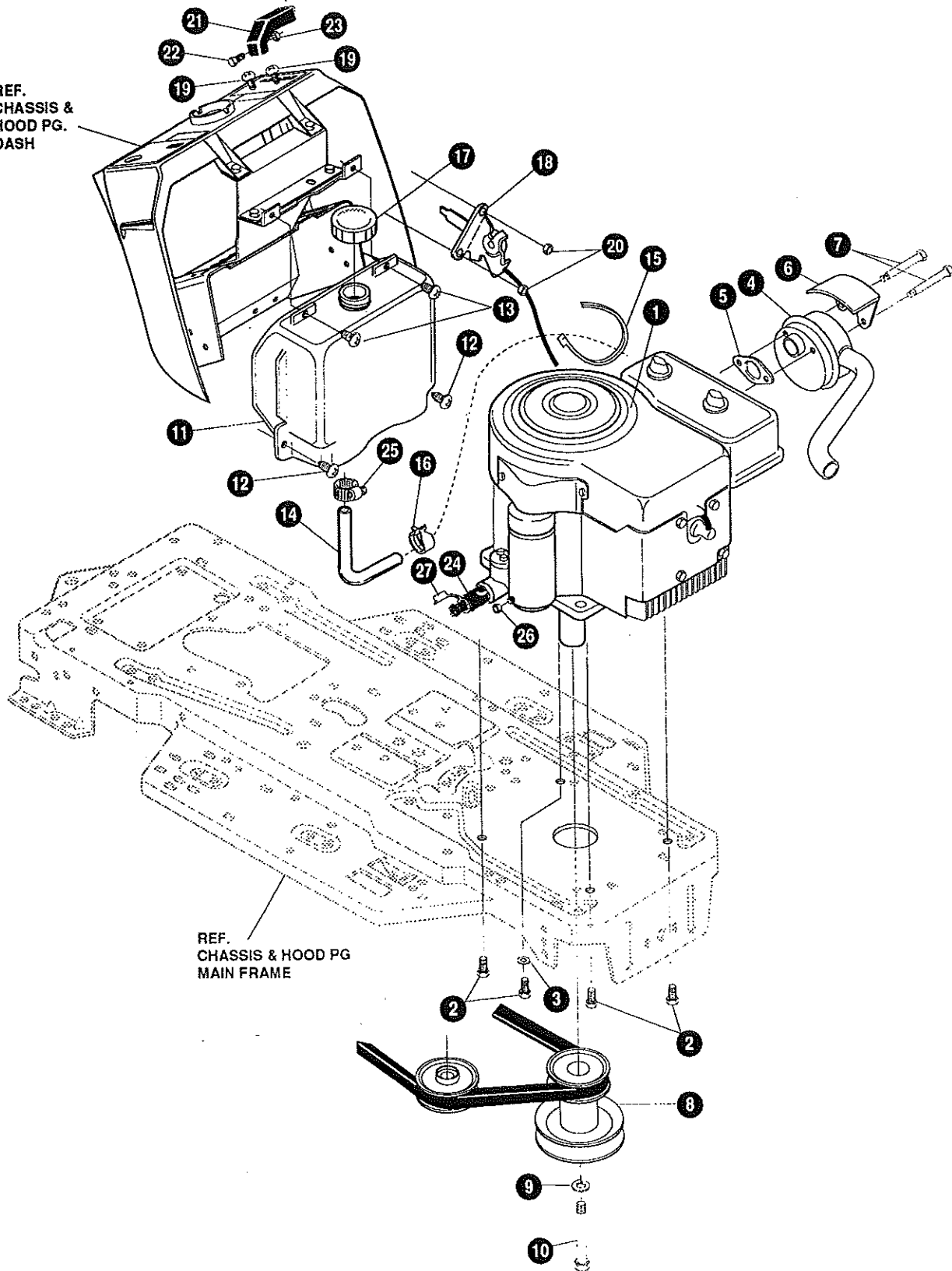
326597 F

TRACTEUR TONDEUSE 40" MODÈLE F3560-260

KEY#	PART#	DESCRIPTION	QTY
60	321514	SPRING, DRAG LINK BIAS	1
61	304016	GUIDE, BELT, RH	1
62	1498	NUT, 5/16-18 REGHEXCTRLK	1
63	325942	PEDAL ASSEMBLY, BRAKE/CLUTCH, LF	1
64	319675	PIN, CLEVIS .500 D X 4.53 LONG	1
65	57847	SPRING, BRAKE PEDAL	1
66	2968	WASHER, FLAT .504 X .75 X .059	3
67	56180	PIN, HAIR .091 DIA X 1.62 LONG	1
68	48160	PAD, CLUTCH BRAKE, W/PRINTING	1
69	320381-853	ARM, IDLER TRACTION, SOG, LF	1
70	329989	BOLT, .625 X .135 HSH, 5/16-18	1
71	45602	WASHER, FLAT .333 X .87 X .119	1
72	1498	NUT, 5/16-18 REGHEXCTRLK	1
73	39659	RETAINER, BELT	1
74	35374	PULLEY, IDLER, V4L, 3.06 X .62	1
75	45892	BOLT, 3/8-16 X 1.50 CARRSN	1
76	1499	NUT, 3/8-16 REGHXCTRLK	1
77	57204	ROD, CLUTCH, 3.92"	1
78	326131	BOLT, .495 X .31 HSH, 5/16-18	1
79	1498	NUT, 5/16-18 REGHEXCTRLK	1
80	325910	SPRING, BRAKE, 31.12, P940, LF	1
81	330505	SPRING, CLUTCH, .113 X .750 X 8.75	1
82	57166	TIRE & RIM ASSEMBLY, 20 X 8.00-8	2
82-1	24167	VALVE STEM	
82-2	57165	RIM, WHEEL	
82-3	319684	TIRE, 20 X 8 X 8	
86	301565	SPACER, SLEEVE .750 X 1.25 X .50	2
87	52928	KEY, SQUARE .187 SQUARE X 2.25 LONG	2
88	642	WASHER, FLAT .755 X 1.31 X .075	4
89	42815	WASHER, FLAT .755 X 1.53 X .07	2
90	36625	RING, RETEX .57 X .05 TRU 5133-75	2
91	40394	HUB CAP, 1.500 ID X 7/8 LONG	2

ENSEMBLE DE MOTEUR

REF.
CHASSIS &
HOOD PG.
DASH



REF.
CHASSIS & HOOD PG
MAIN FRAME

UTILISEZ DES PIÈCES D'ORIGINE POUR
CONSERVER L'APPLICATION DE LA GARANTIE

TOUTES LES PIÈCES NON
REFEREES SONT
INTERCHANGEABLES AVEC
LEURS OPPOSEES.

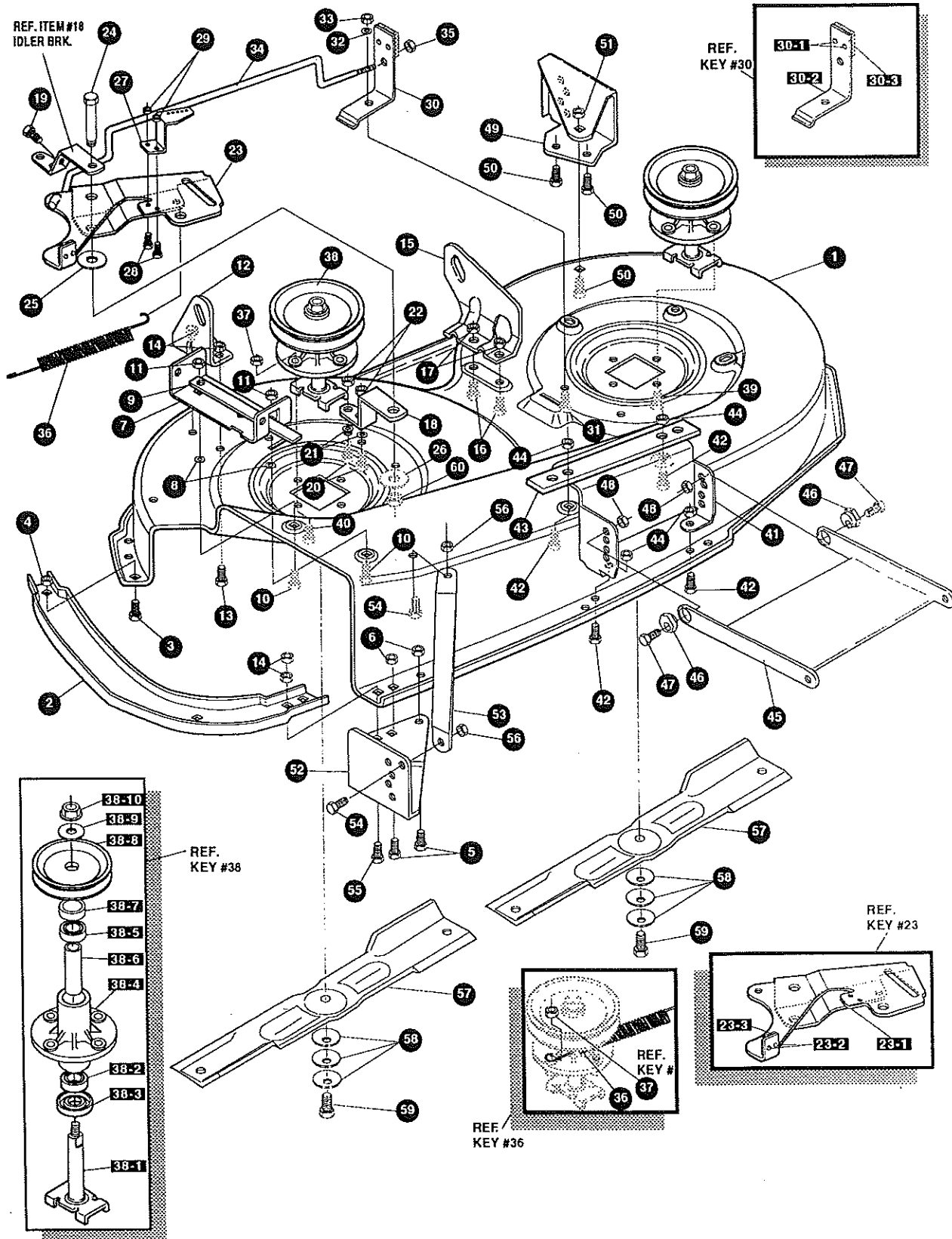
326200 I

TRACTEUR TONDEUSE 40" MODÈLE F3560-260

KEY#	PART#	DESCRIPTION	QTY
1	*	ENGINE, 12-12.5HP, B&S, IC, DUAL	1
2	50947	SCREW, 3/8-16 X1.25 WAHHTAP, BLACK	4
3	138489	WASHER, EXLK .384 X .69 X .04	1
4	305367	MUFFLER-LO TONE, NELSON EXPORT	1
5	46708	GASKET, MUFFLER	1
6	54767	SHIELD, HEAT, FOR ROUND MUFFLER	1
7	54980	SCREW, 5/16-18 X 3.50 HHC	2
8	328028	PULLEY, ENGINE, 3.0D X 4.0 LONG X 5.0 D	1
9	120383	WASHER, REGSPTLK .459 X .78 X .12	1
10	433146	SCREW, 7/16-20 X 4.25 HHC, BLACK	1
11	314991	TANK, FUEL 2-GALLON, GPWR, CLEAR	1
12	300303	SCREW, .25 X .75 X .51 HHWAPLASTITE	2
13	995346	SCREW, 1/4-20 X .50 WAHHTAP	2
14	50118	TUBING, .25 X .50 X BULK GAS LINE	14.0'
15	57444	TIE, CABLE BLACK NYLON, 5.62 LONG	1
16	336890	CLAMP, HOSE SCREW TYPE	1
17	300304	CAP, GAS - 2.0 THROAT	1
18	303159	THROTTLE, CONTROL, 11HP, B&S GP	1
19	320553	SCREW, 10-24 X .63 PHPNMA CRSS	2
20	308459	NUT, #10-24 HXHDNYLK	2
21	300508	KNOB, THROTTLE CONTROL, GP STYLE	1
22	159585	SCREW, #8-32 X .38 PHPNMA	1
23	120622	NUT, #8-32 REGHX	1
24	325547	OIL DRAIN VALVE ASSEMBLY	1
25	336890	CLAMP, HOSE SCREW TYPE	1
26	124818	NUT, 1/4-20 REGHXJAM	1
27	327422	CAP, OIL DRAIN VALVE ASSEMBLY, YELLOW	1

* SEE ENGINE MANUAL

ENSEMBLE DE CARTER DE TONDEUSE



UTILISEZ DES PIÈCES D'ORIGINE POUR
CONSERVER L'APPLICATION DE LA GARANTIE

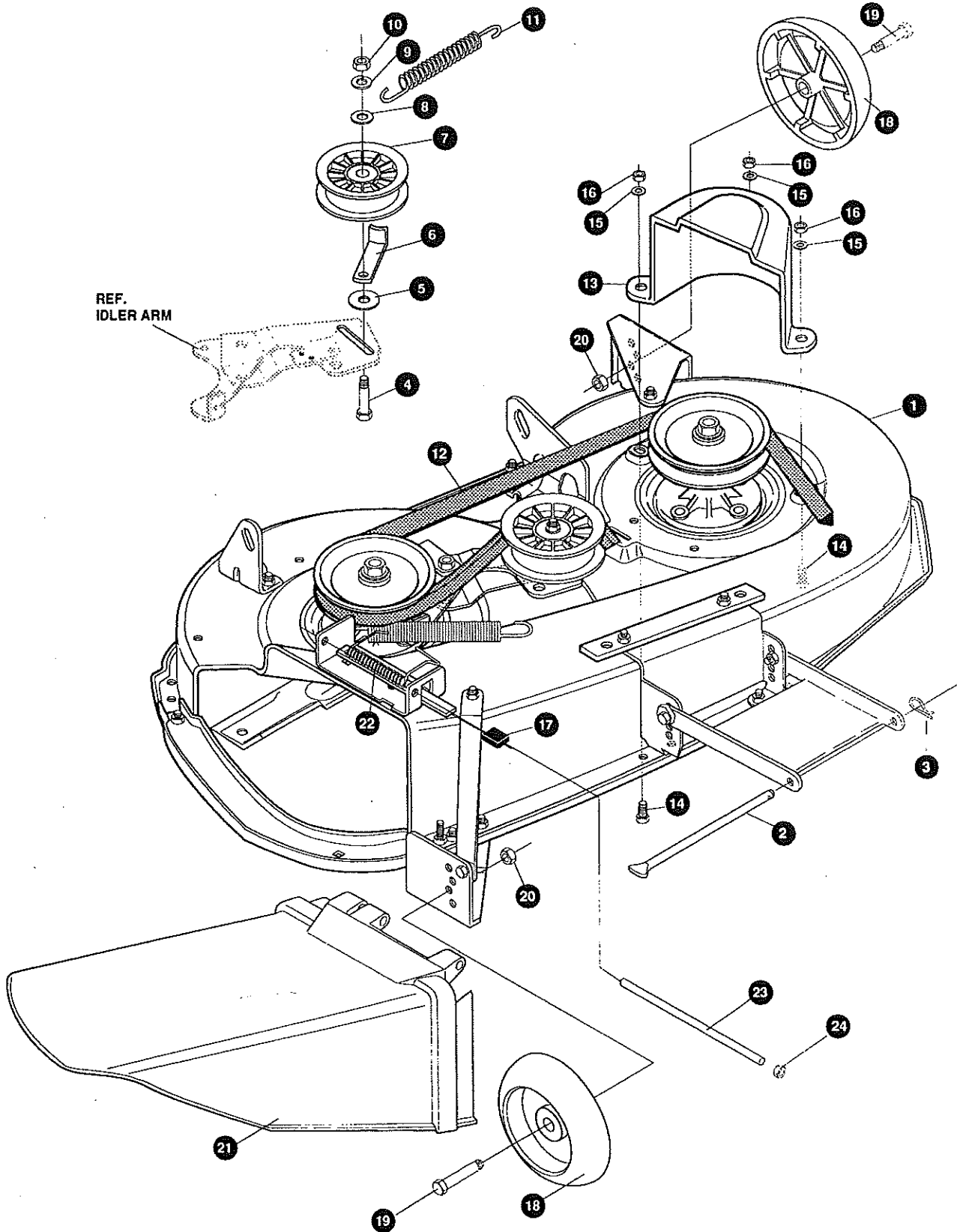
TOUTES LES PIÈCES NON
REFEREES SONT
INTERCHANGEABLES AVEC
LEURS OPPOSEES.

331147 D

TRACTEUR TONDEUSE 40" MODÈLE F3560-260

KEY#	PART#	DESCRIPTION	QTY
1	325103	40" DECK KIT	1
2	326480-853	TOE GUARD - MULCHER	1
3	180077	SCREW, 5/16-18 X .75 HHC	1
4	1498	NUT, 5/16-18 REGHEXCTRLK	1
5	180077	SCREW, 5/16-18 X .75 HHC	1
6	1498	NUT, 5/16-18 REGHEXCTRLK	2
7	317017	BRACKET, CHUTE MOUNT, BLACK	1
8	120393	WASHER, FLAT .344 X .69 X .065	2
9	322320	LEVER ASSEMBLY (SHORT)	1
9-1	58319	PIN	1
9-2	322319	LEVER, CHUTE LATCH (SHORT)	1
10	180077	SCREW, 5/16-18 X .75 HHC	2
11	1498	NUT, 5/16-18 REGHEXCTRLK	2
12	313929	LIFT BRACKET, REAR, RH, BLACK, 853	1
13	180077	SCREW, 5/16-18 X .75 HHC	2
14	1498	NUT, 5/16-18 REGHEXCTRLK	2
15	310667	BRACKET, DECK, LIFT, REAR, LH, BLACK	1
16	180077	SCREW, 5/16-18 X .75 HHC	2
17	1498	NUT, 5/16-18 REGHEXCTRLK	2
18	326893-853	BRACE, IDLER SUPPORT, 40", 43"	1
19	308231	SCREW, 1/4-20 X 1.25 HHWATAP	1
20	180077	SCREW, 5/16-18 X .75 HHC	2
21	120393	WASHER, FLAT .344 X .69 X .065	2
22	44108	NUT, 5/16-18 HWDFLCTRLK	2
23	320576-853	IDLER ARM ASSEMBLY	1
23-1	322116-853	ARM, IDLER, 40/43" DECK	1
23-2	41601	RIVET, OVSET .187 DIA X .50 LONG	2
23-3	306973	BRAKE PAD - HARD-NF343 (X-31)	1
24	304420	BOLT, .500 X 2.15 HSSH	1
25	996307	WASHER, FLAT .391 X 1.00 X .209	1
26	996416	WASHER, FLAT .391 X 1.00 X .125	2
27	326249-853	BRACKET, EXTENSION, IDLER	1
28	180077	SCREW, 5/16-18 X .75 HHC	2
29	1498	NUT, 5/16-18 REGHEXCTRLK	2
30	321828	BLADE BRAKE ASSEMBLY	1
30-1	135624	RIVET, TRSET .185 DIA X .41 LONG	2
30-2	304119-853	BRAKE ARM	1
30-3	306973	BRAKE PAD - HARD-NF343 (X-31)	1
31	180077	SCREW, 5/16-18 X .75 HHC	1
32	120393	WASHER, FLAT .344 X .69 X .065	1
33	1498	NUT, 5/16-18 REGHEXCTRLK	1
34	315396	ROD, BRAKE, 40" DECK	1
35	1502	NUT, 1/4-20 REGHEXCTRLK	1
36	35410	SPRING, .071 X .62 X 4.37	1
37	1498	NUT, 5/16-18 REGHEXCTRLK	1
38	56424-853	QUILL ASSEMBLY, 36/39/40/43	2
38-1	56425	SHAFT/SADDLE, 36"	1
38-2	49562	BEARING, BALL 6203-2AA-C3, ARMORED	1
38-3	50616	DUST SHIELD	1
38-4	55547	QUILL CASTING (1046)	1
38-5	49562	BEARING, BALL 6203-2AA-C3, ARMORED	1
38-6	50818	SPACER, SLEEVE .669 X .88 X 3.797	1
38-7	51449	SPACER, SLEEVE .672 X .93 X .438	1
38-8	313898	PULLEY ASSEMBLY	1
38-9	56365	WASHER, SPECIAL QUILL	1
38-10	1282	NUT, 7/16-20 WDFLLK	1
39	35498	SCREW, 5/16-18 X .75 WAHHTAP	7
40	300345	SCREW, 5/16-18 X 1.38 WAHHTAP	1
41	318445-853	BRACKET, 40", LF, FRONT, DECK	1
42	180077	SCREW, 5/16-18 X .75 HHC	4
43	328155-853	PLATE-MOUNTING	1
44	1498	NUT, 5/16-18 REGHEXCTRLK	4
45	58305-853	BRACKET, LINK, DECK, FRONT	1
46	58247	NUT, ADJUSTING	2
47	180079	SCREW, 5/16-18 X 1.00 HHC	2
48	1498	NUT, 5/16-18 REGHEXCTRLK	2
49	317041	BRACKET, GAUGE WHEEL, LH, BLACK	1
50	180077	SCREW, 5/16-18 X .75 HHC	3
51	1498	NUT, 5/16-18 REGHEXCTRLK	3
52	322464-853	BRACKET, GAUGE WHEEL, RH, FRONT	1
53	314282-853	BRACKET, STABILIZER	1
54	180077	SCREW, 5/16-18 X .75 HHC	1
55	12685	SCREW, 5/16-18 X 1.50 HHCFT	1
56	1498	NUT, 5/16-18 REGHEXCTRLK	1
57	313316	BLADE, 40" STD-LIFT, 20.32, BLACK	2
58	2483	WASHER, .39 ID X 1.25 D X .07 BELLVIL	6
59	39573	SCREW, 3/8-24 X 1.00 NYLHHC	2
60	45171	NUT, 3/8-16 HWDFL, WHIZ-LOCK	1

ENSEMBLE DE CARTER DE TONDEUSE



UTILISEZ DES PIÈCES D'ORIGINE POUR
CONSERVER L'APPLICATION DE LA GARANTIE

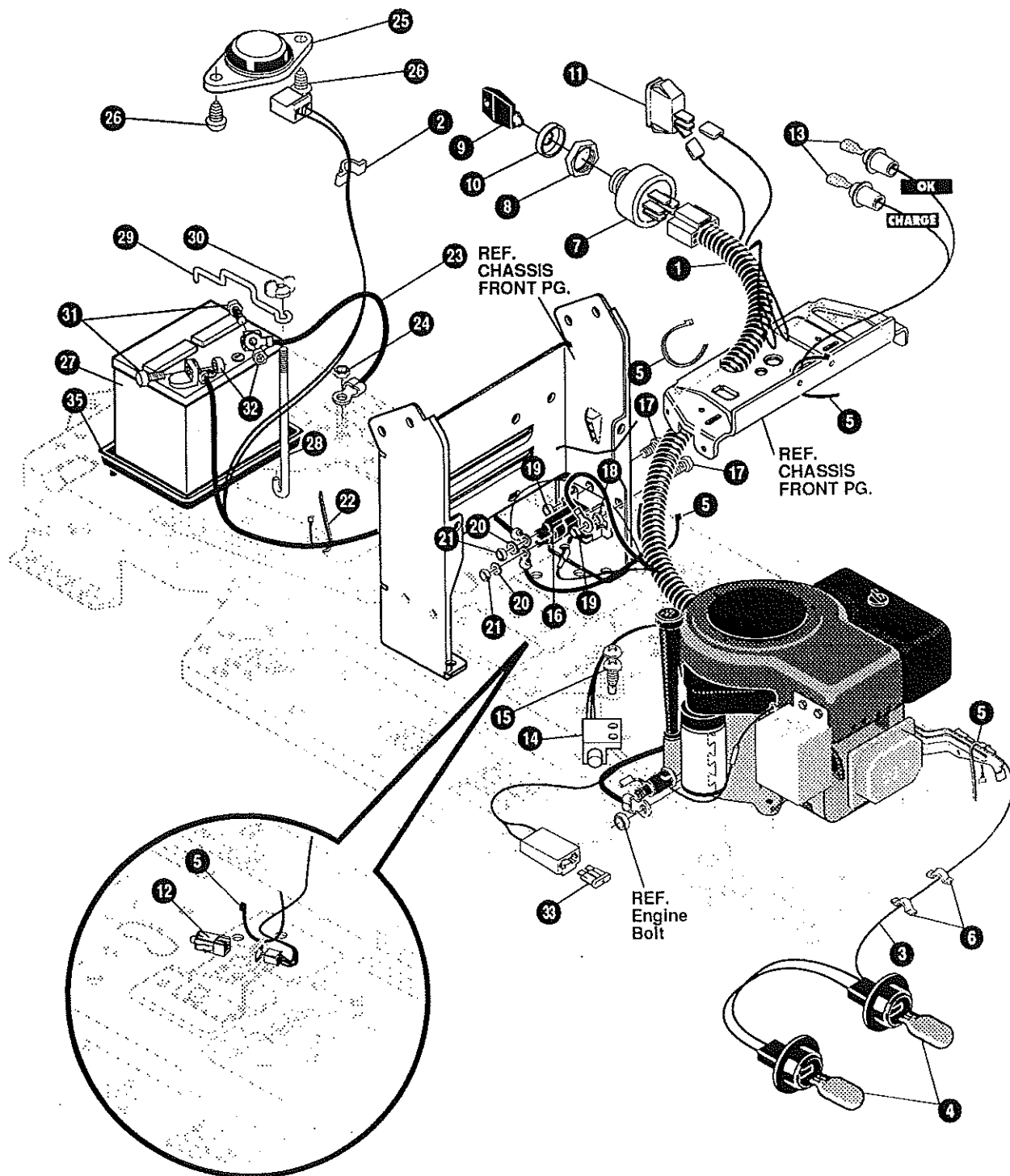
TOUTES LES PIÈCES NON
REFEREES SONT
INTERCHANGEABLES AVEC
LEURS OPPOSEES.

331145 B

TRACTEUR TONDEUSE 40" MODÈLE F3560-260

KEY#	PART#	DESCRIPTION	QTY
1	329035	ASSEMBLY, 40", DECK FOR AIR ASSIST	1
2	58306	ROD, DECK HITCH	1
3	8260	PIN, HAIR .091 DIA X 1.66 LONG	1
4	57325	BOLT, 3/8-16 X 2.00 CARRSN	1
5	25210	WASHER, FLAT .386 X 1.25 X .09	1
6	1346	RETAINER, BELT	1
7	310326	PULLEY, IDLER BFF, 4.00, WIDE FLANGE	1
8	996307	WASHER, FLAT .391 X 1.00 X .209	1
9	120382	WASHER, REGSPTLK .393 X .68 X .10	1
10	120377	NUT, 3/8-16 REGHX	1
11	300473	SPRING, TENSION, 7.52 LONG+17 LB/IN	1
12	319005	BELT, V 5L, 81.00, DECK, 40", LF	1
13	328257	GUARD, BELT, LH, PLASTIC	1
14	180077	SCREW, 5/16-18 X .75 HHC	3
15	120393	WASHER, FLAT .344 X .69 X .065	3
16	1498	NUT, 5/16-18 REGHEXCTRLK	3
17	42348	GRIP-LEVER, GRASS COLLECTOR	1
18	302611	GAUGE WHEEL, EURO, 6.00 OD X 1.38 WD	2
19	23763	BOLT, .500 X 1.390 HSH, 3/8-16	2
20	1499	NUT, 3/8-16 REGHXCTRLK	2
21	304422	CHUTE DEFLECTOR, 40", 42" & 43"	1
22	314975	SPRING, TORSION, CHUTE DEFLECTOR	1
23	304424	ROD, PIVOT DECK .312 D X 7.25	1
24	3535	NUT, PUSH ON CAP .312 OD	1

FAISCEAU ELECTRIQUE



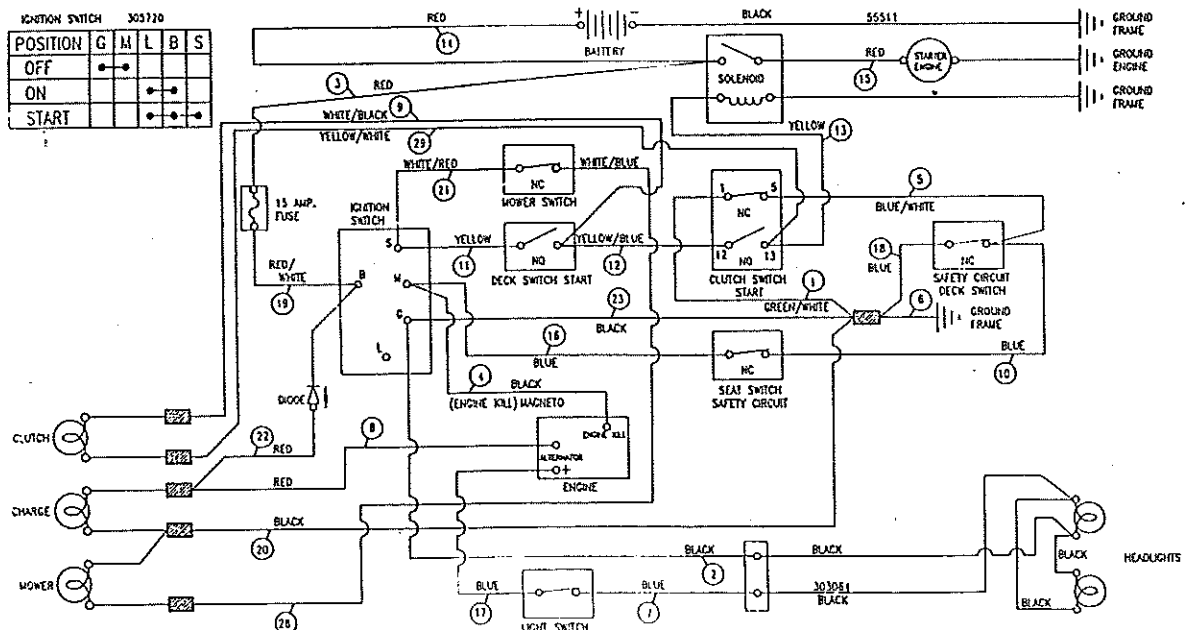
UTILISEZ DES PIÈCES D'ORIGINE POUR
CONSERVER L'APPLICATION DE LA GARANTIE

TOUTES LES PIÈCES NON
REFEREES SONT
INTERCHANGEABLES AVEC
LEURS OPPOSEES.

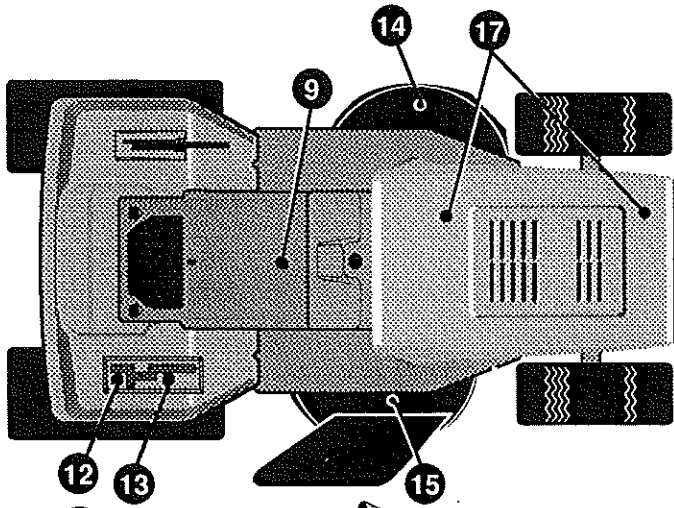
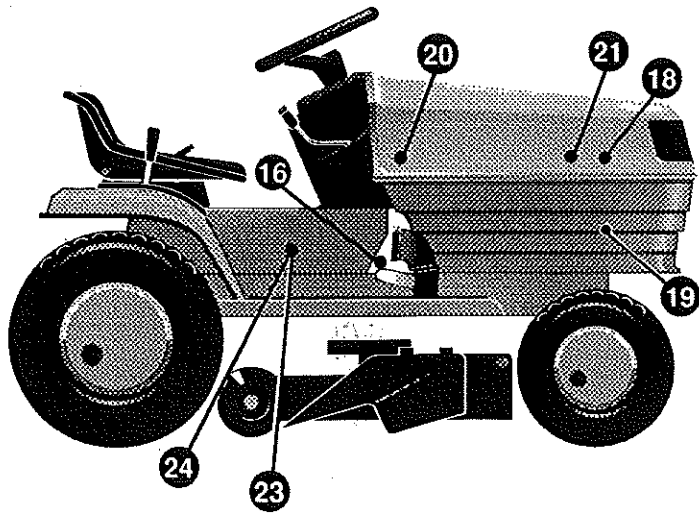
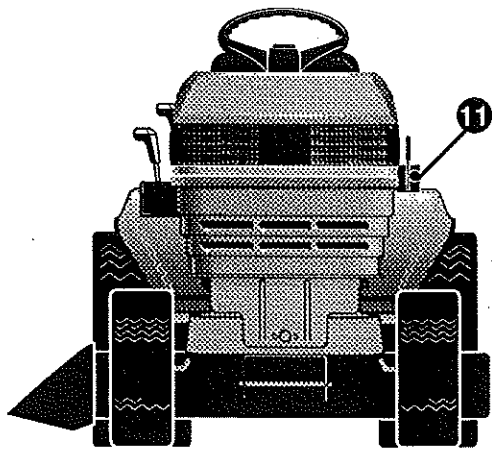
332404 C

TRACTEUR TONDEUSE 40" MODÈLE F3560-260

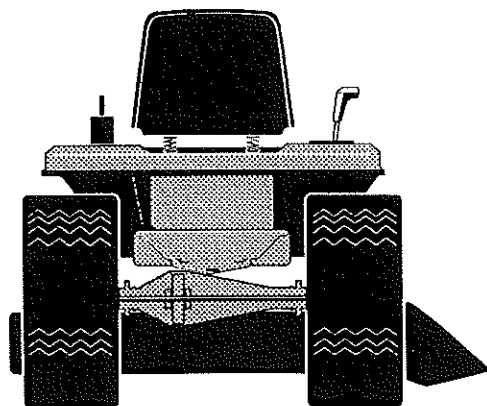
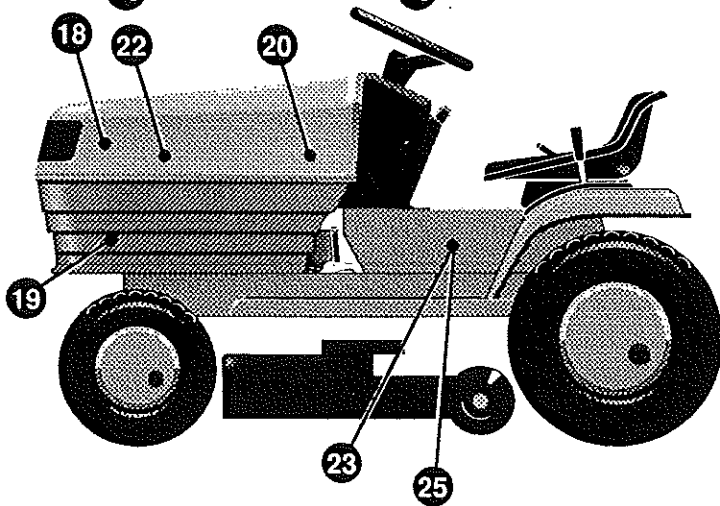
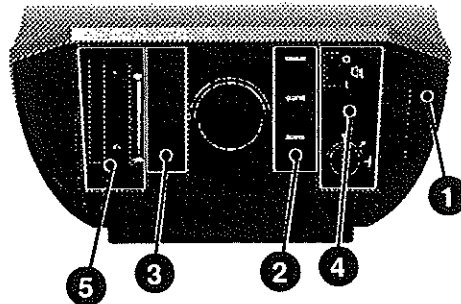
KEY#	PART#	DESCRIPTION	QTY
1	320067	HARNES, 12-12.5HP, H11/G14, WRAP, LF	1
2	41482	PRESS CLIP, 1.380 LONG .255 ID	1
3	303064	ASSEMBLY, LIGHT WIRE-1/4 TURN	1
4	52572	BULB, HEADLAMP	2
5	57444	TIE, CABLE BLACK NYLON, 5.62 LONG	2
6	41482	PRESS CLIP, 1.380 LONG .255 ID	2
7	327355	SWITCH-IGNITION (AFTER FIRE) 3 POSITION	1
8	327352	NUT, 5/8-BACME DELTA FOR BOOT	1
9	300194	BOOT, IGNITION SWITCH	1
10	327350	KEY,IGNITION	2
11	326653	SWITCH, SNAPMOUNT, NO .055/.116 GRAY	1
12	326654	SWITCH, SNAP MOUNT, NC .140 BLUE	2
13	57476	SWITCH, SCREW MOUNT, DP, NC, NO, BLACK	1
14	57220	SCREW, #12 X .50 PHPNHTAP, BLACK	2
15	53716	SOLENOID	1
16	187745	SCREW, 1/4-20 X .75 HXSEMMA	2
17	1502	NUT, 1/4-20 REGHEXCTRLK	2
18	271172	NUT, 1/4-20 REGHEXKEPS	1
19	138485	WASHER, EXLK .320 X .61 X .03	2
20	120368	NUT, 5/16-24 REGHEX	2
21	57444	TIE, CABLE BLACK NYLON, 5.62 LONG	1
22	55511	WIRE, GROUND, 12.5"	1
23	271184	NUT, 5/16-18 HEXKEPS	1
24	57769	BULB, INDICATOR	3
25	300334	LIGHT SWITCH, ON/OFF, PANEL MOUNT	1
26	57547	SWITCH, SEAT	1
27	160505	SCREW, 1/4-20 X .38 PHPNHMA	2
28	302257	BATTERY, 12V	1
29	57551	ROD, BATTERY	1
30	57552	ROD, BATTERY, TOP	1
31	325232	NUT, WING 1/4-20, NYLON	1
32	180020	SCREW, 1/4-20 X .75 HHC	2
33	271172	NUT, 1/4-20 REGHEXKEPS	2
36	91895	TRAY, BATTERY	1



DECALQUES



DASH OVERVIEW



TRACTEUR TONDEUSE 40" MODÈLE F3560-260

KEY#	PART#	DESCRIPTION	QTY
1	68900	DECAL, BLADE ENGAGE, EUROPE	1
2	300445	DECAL, DASH, RH, TRANSLUCENT	1
3	302049	DECAL, DASH, LH, PLAIN	1
4	305766	DECAL, DASH, RH, IGNITION	1
5	305767	DECAL, DASH, LH	1
9	402689	DECAL, CONSOLE SYMBOLIC CAUTION	1
11	402214	DECAL, HEIGHT ADJUST	1
12	311394	DECAL, SHIFT REVERSE/NEUTRAL	1
13	331007	DECAL, SHIFTER POSITION	1
14	402700	DECAL, CAUTION DECK, LH	1
15	402701	DECAL, CAUTION DECK, RH	1
16	402702	DECAL, BRAKE/CLUTCH	1
17	305602	FOAM, HOOD 4 X 15	2
18	305603	PAD, 18 X 6 FOAM HOOD	2
19	305604	FOAM, HOOD 7 X 12	2
20	402363	NAMEPLATE, CAST 13, CHROME, LF	2
21	402364	DECAL, HOOD, CAST, H-11, (RH), LF	1
22	402365	DECAL, HOOD, DECAL, H-11, (LH)	1
23	402366	NAMEPLATE, 13/38 (CHROME), LF	2
24	70690	DECAL, TRACTOR CONSOLE, LF, RH	1
25	70691	DECAL, TRACTOR CONSOLE, LF, LH	1

