

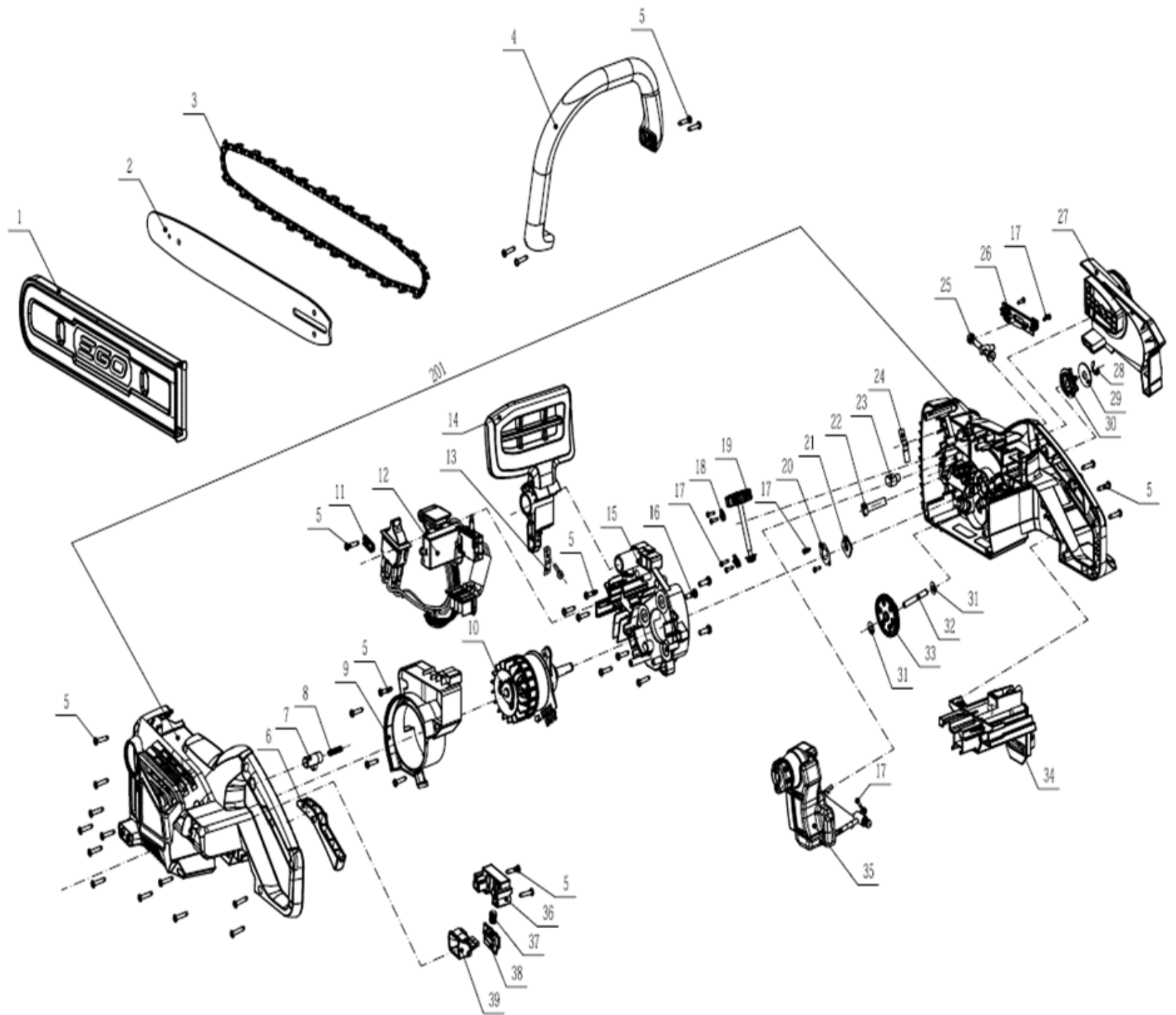


---

**TRONCONNEUSE 56 V**  
**Pièces détachées**

**CS1400E**





Model No. **CS1400E**

Article No. 0260034008-15

0260034008

Index No.	EGO Article. No.	Description	QTY in machine	Size LxWxH (mm)
1	3127500001	Chain sheath	1	366.014x93.98x20.066
2	3705657002	Guide bar	1	420.116x53.086x3.048
3	3810637001	Saw chain	1	476x72.5x4.4
4	3127504002	Front handle	1	225.298x201.676x129.54
5	5610042014	Tapping Screw	33	ST4.2x19
6	3127496001	Switch Trigger	1	127.762x29.718x23.114
7	3127495001	Lock off Button	1	28.956x18.034x11.938
8	3660427002	Spring	1	5.588x23.876x0
9	3127502001	Fan Baffle	1	139.7x120.904x53.34
10	2823855001	Motor & Gear ASSY	1	φ71.882x123.19
11	3700367001	Cord Anchorage	1	29.972x10.922x4.064
12	2830039002	Electric Assembly	1	-
13	3705658001	Brake Piece	1	36.322x9.906x0.762
14	3402731001	Kick-back Board	1	180.086x142.748x59.944
15	3127503001	Motor Support	1	150.114x134.366x69.596
16	5620051010	Screw	3	M5X16
17	5610011006	Tapping Screw	9	ST2.9x10
18	3700894001	Cord Anchorage	2	19.304x8.636x2.032
19	2823856001	Transmission ASSY	1	φ37.338x78.74
20	5660209001	Clamp	1	32.512x20.066x0.508
21	3705661001	Felt Ring	1	20.066x20.066x2.54
22	5640011002	Hexagon Head Bolt	1	φ7.874x35.052
23	3552150001	Clamp	1	19.812x13.97x9.652
24	3705659002	Leaf Spring	1	38.1x7.874x0.508
25	2823167001	Tensioning screw assembly	1	φ12.192x65.024
26	3421169001	Cover plate	1	81.28x19.558x8.89
27	2823860001	Side cover assembly	1	172.466x107.95x54.864
28	5660028001	E Ring	1	13.716x11.176x1.016
29	5660208001	Gasket	1	φ27.94x1.524
30	3421564001	Sprocket	1	φ34.036x12.192
31	5650042001	Plain Washer		6.096x13.97x0.254
32	5670185001	Pin	1	φ6.096x39.878
33	3127510001	Gear	1	φ34.036x12.7
34	2823934001	Support ASSY	1	142.24x100.076x89.916
35	2823933002	Kettle ASSY	1	115.824x75.946x68.072
36	3127507001	Support	1	63.5x32.512x25.908
37	3660013003	Spring	1	φ9.906x24.892
38	3127497001	Power Pack Button	1	42.418x24.384x11.43
39	3127498001	Power Pack Button	1	42.926x36.83x27.432
201	2823935001	Left&Right Housing Set	1	420.878x196.596x93.98





ISEKI France S.A.S - ZAC des Ribes  
27, avenue des frères Montgolfier - CS 20024  
63178 Aubière Cedex  
Tél. 04 73 91 93 51 - Fax. 04 73 90 23 11  
E-mail : [info@iseki.fr](mailto:info@iseki.fr) - [www.iseki.fr](http://www.iseki.fr)