



OREC

PIECES DETACHEES

Débroussailleuses à fléaux

**HR661
HR661A
HR801A**



Yvon Béal - 21, av. de l'Agriculture - B.P 16
Z.I. du Brézet - 63014 Clermont-Ferrand Cedex 2
Tél : 04 73 91 93 51 - Télécopie : 04 73 90 23 11
www.yvonbeal.fr - E-mail : info@yvonbeal.fr
R.C.S. B 304 973 886 - S.A.S. au capital de 612 000 €

03-000401-050509

Parts catalogue

FLAIL MOWER

(EXPORT MODEL)

HR661

HR661A

HR801A

MODEL	CODE
HR661	80-1614-△△△-00
HR661A	0211-△△△△△
HR801A	0204-△△△△△

CONTENTS

Fig.1	HANDLE(OLD TYPE)-----	1
Fig.1	HANDLE(NEW TYPE)-----	5
Fig.2	TRANSMISSION-----	9
Fig.3	FRAME-----	13
Fig.4	ROTARY COVER-----	17

OREC CO.,LTD.

Update : December 2005

Fig. 1 HANDLE (OLD TYPE)

HR661A Serial No. ~YD01D00075

HR801A Serial No. ~YG01E00032

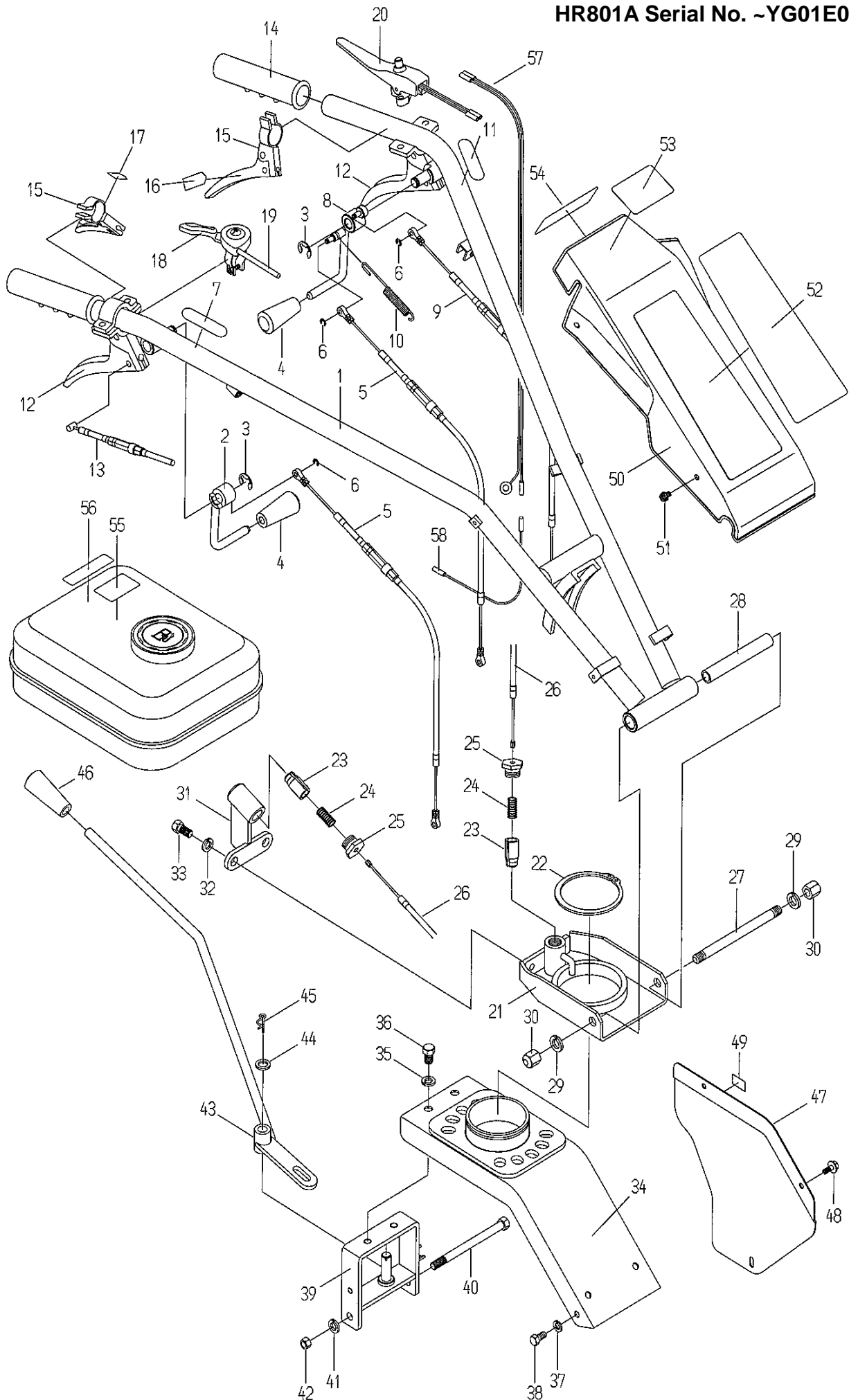


FIG. 1 HANDLE (OLD TYPE)

Ref.	Parts No.	Parts Name	Quantity								Remarks									
			OLD	OLD	OLD	OLD	NEW	NEW	NEW	NEW										
			HR	HR	HR	HR	HR	HR	HR	HR										
			661A	661A	801A	801A	661A	661A	801A	801A										
				EY28	FE250	GM301	FE290													
1	80-1614-221-00	Handle CMP	1	1	1	1														*4)
2	80-1614-251-00	Knife Tension Lever	1	1	1	1														*4)
3	89-2521-000100	E-type Ring 10	2	2	2	2	1	1	1	1										
4	83-1210-425-00	Lever Grip 10	2	2	2	2														*4)
5	83-1614-932-00	Tension Wire	2	2	2	2	2	2	2	2										
6	89-2521-000050	E-type Ring 5	3	3	3	3	3	3	3	3										
7	80-1614-915-00	Label, Blade	1	1	1	1														*4)
8	80-1614-241-00	Driving Tension Lever	1	1	1	1														*4)
9	83-1614-938-00	Brake Wire	1	1	1	1														*4)
10	80-1614-248-00	Brake Spring	1	1	1	1														*4)
11	80-1614-914-00	Label, Driving	1	1	1	1														*4)
12	83-1210-457-00	Lever 3101	2	2	2	2														*4)
	83-1210-457-10	Lever 27-05-0822M	2	2	2	2														*1)
13	83-1614-962-00	Side Clutch Wire	2	2	2	2	2	2	2	2										
14	83-1560-414-00	Handle Grip 27	2	2	2	2	2	2	2	2										
15	83-1415-453-00	Lever SC1215	2	2	2	2	2	2	2	2										Remark 1
	83-1415-453-10	Lever 27-05-0822S	2	2	2	2	2	2	2	2										
16	80-1614-917-00	Label, Handle Up/Down	1	1	1	1	1	1	1	1										
17	80-1614-918-00	Label, Handle Right/Left	1	1	1	1	1	1	1	1										
18	83-1530-463-00	Throttle Lever	1	1	1	1	1	1	1	1										
19	83-1415-951-00	Throttle Wire	1	1	1	1	1	1	1	1										
20	80-1613-950-00	Engine stop lever assy.	1	1	1	1														*4)
21	80-1310-203-00	Turntable for Handle	1	1	1	1	1	1	1	1										
22	89-2511-000850	Snap Ring 85	1	1	1	1	1	1	1	1										
23	80-1210-216-00	Stopper Pin	2	2	2	2	2	2	2	2										
24	80-1210-217-00	Stopper Spring	2	2	2	2	2	2	2	2										
25	80-1310-215-00	Stopper Cap	2	2	2	2	2	2	2	2										
26	83-1445-965-00	Handle Up/Down/Right/Left Wire	2	2	2	2														*4)
	83-1445-965-10	Handle Up/Down/Right/Left Wire	2	2	2	2														
27	83-1210-133-00	Setting Bolt M12X160	1	1	1	1	1	1	1	1										
28	80-1210-222-00	Handle Setting Collar	1	1	1	1	1	1	1	1										
29	89-1750-120002	Spring Washer 12	2	2	2	2	2	2	2	2										
30	80-1310-228-00	Handle Fix Nut	2	2	2	2	2	2	2	2										
31	80-1330-214-10	Stopper for Handle Up/Down	1	1	1	1	1	1	1	1										
32	89-1750-100002	Spring Washer 10	2	2	2	2	2	2	2	2										
33	89-1211-100202	Mini Hexagonal Bolt M10*20	2	2	2	2	2	2	2	2										
34	80-1614-732-20	Under Bonnet CMP	1	1	1	1	1	1	1	1										
35	89-1750-100002	Spring Washer 10	2	2	2	2	2	2	2	2										
36	89-1211-100162	Mini Hexagonal Bolt M10*16	2	2	2	2	2	2	2	2										
37	89-1750-080002	Spring Washer 8	2	2	2	2	2	2	2	2										
38	89-1213-080162	Mini Hexagonal Bolt (8T) M8*16	2	2	2	2	2	2	2	2										
39	80-1614-262-00	Change Plate	1	1	1	1	1	1	1	1										
40	89-1213-101302	Mini Hexagonal Bolt (8T) M10*130	1	1	1	1	1	1	1	1										
41	89-1750-100002	Spring Washer 10	1	1	1	1	1	1	1	1										
42	89-1611-100042	Mini Hexagonal Nut M8	1	1	1	1	1	1	1	1										
43	80-1614-265-00	Change Lever (FE250.290.EY28)	1	1			1	1	1											
	80-1614-266-00	Change Lever (GM301)			1					1										
44	83-1565-329-00	Washer 13x22x2.3	1	1	1	1	1	1	1	1										
45	89-2131-120002	R Pin 12	1	1	1	1	1	1	1	1										
46	83-1711-426-00	Lever Griot 12	1	1	1	1	1	1	1	1										
47	80-1614-746-10	Side Cover	1	1	1	1	1	1	1	1										

Fig. 1 HANDLE (OLD TYPE)

HR661A Serial No. ~YD01D00075

HR801A Serial No. ~YG01E00032

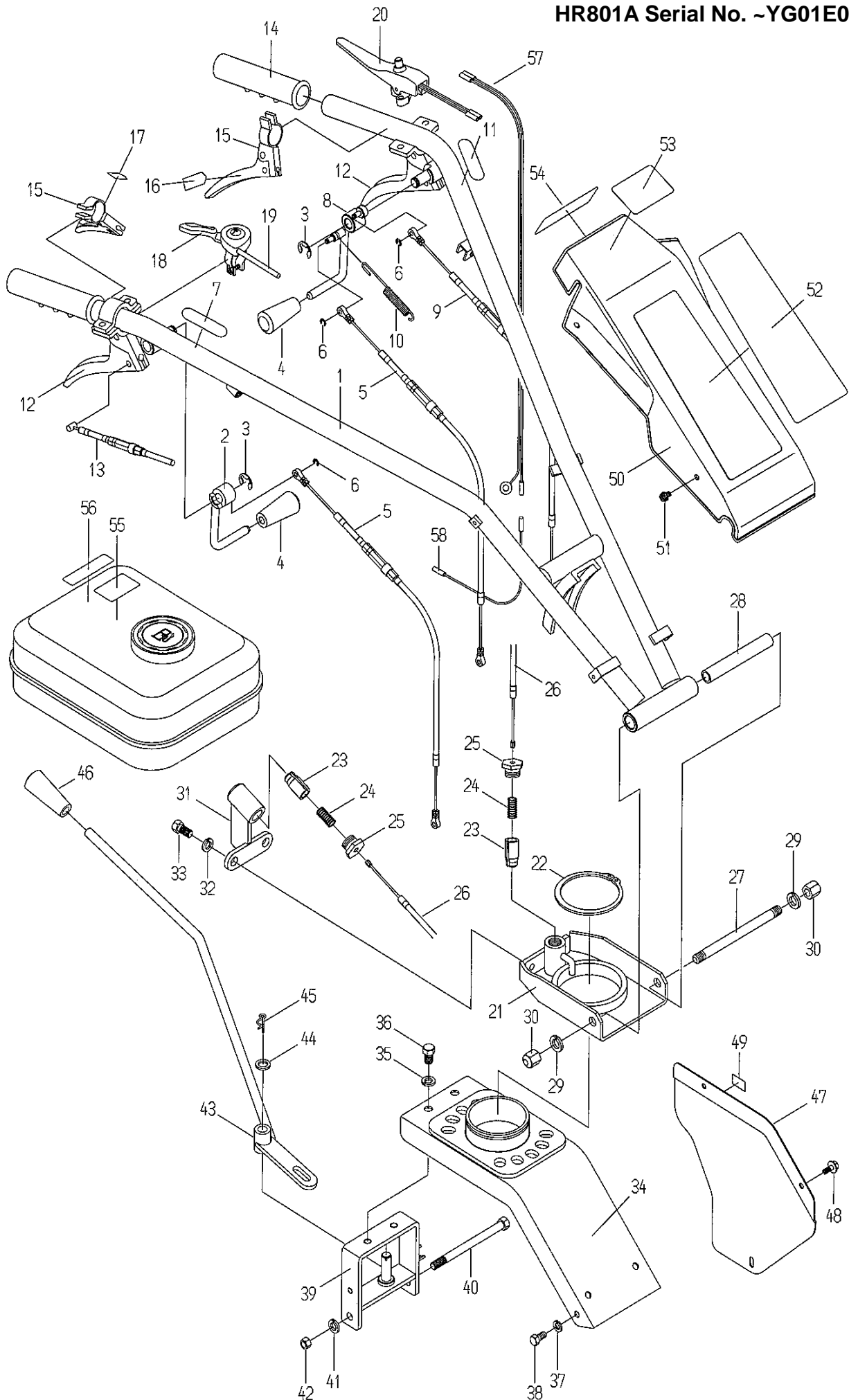


FIG. 1 HANDLE (OLD TYPE)

Ref.	Parts No.	Parts Name	Quantity								Remarks
			OLD	OLD	OLD	OLD	NEW	NEW	NEW	NEW	
			HR	HR	HR	HR	HR	HR	HR	HR	
			661A	661A	801A	801A	661A	661A	801A	801A	
EY28	FE250	GM301	FE290	EY28	FE250	GM301	FE290				
48	89-1131-060152	Hexagonal Bolt(PW) 6*15	3	3	3	3	3	3	3	3	
49	83-1712-923-00	Label, Oil Quantity 1.6 L	1	1	1	1	1	1	1	1	
50	80-1415-223-00	Handle Bonnet	1	1	1	1	1	1	1	1	
51	89-1158-060102	Mini Screw(PWSW) M6*10	4	4	4	4	4	4	4	4	
52	80-1614-904-00	Label, Bonnet	1	1	1	1	1	1	1	1	
53	80-1614-907-00	Label, Model									
	0211-70100	Label, Model	1	1			1	1			
	0204-70100	Label, Model			1	1			1	1	
54	80-1565-911-10	Label, Change	1	1	1	1	1	1	1	1	
55	83-1415-909-00	Label, Caution for Engine etc	1	1	1	1	1	1	1	1	
56	80-1415-911-10	Label, Change	1	1	1	1	1	1	1	1	
57	80-1613-953-00	Harness ASSY	1	1	1	1					*4)
58	80-1614-285-00	Lead Wire (EY28)	1								

M E M O

Remark 1 : Supplied Parts 83-1415-453-10 . 83-1445-965-10 (1 set)

Remark 2 : Supplied Parts 83-1415-453-10 . 83-1110-965-10 (1 set)

*1) : Interchangeable

*2) : Serial Number HR661A : ~YD00M00502 HR801A : ~YG00M00030

*3) : Serial Number HR661A : YD01A00503~ HR801A : YG01A00031~

*4) : Serial Number HR661A : ~YD01D00075 HR801A : ~YG01E00032

*5) : Serial Number HR661A : YD01K00076~ HR801A : YG01M00034~

*6) : Serial Number HR661A : ~YD03G00104 HR801A : ~YG03G00024

*7) : Serial Number HR661A : YD03K00105~ HR801A : YG03J00025~

*8) : Serial Number HR661A : YD004M00409~ HR801A : YG05C00001~

*9) : Serial Number HR661A : ~YD05A00482 HR801A : ~YG04L00034

*10) : Serial Number HR661A : YD05B00001~ HR801A : YG05C00001~

Fig. 1 HANDLE (NEW TYPE)

HR661A Serial No. YD01K00076~

HR801A Serial No. YG01M00034~

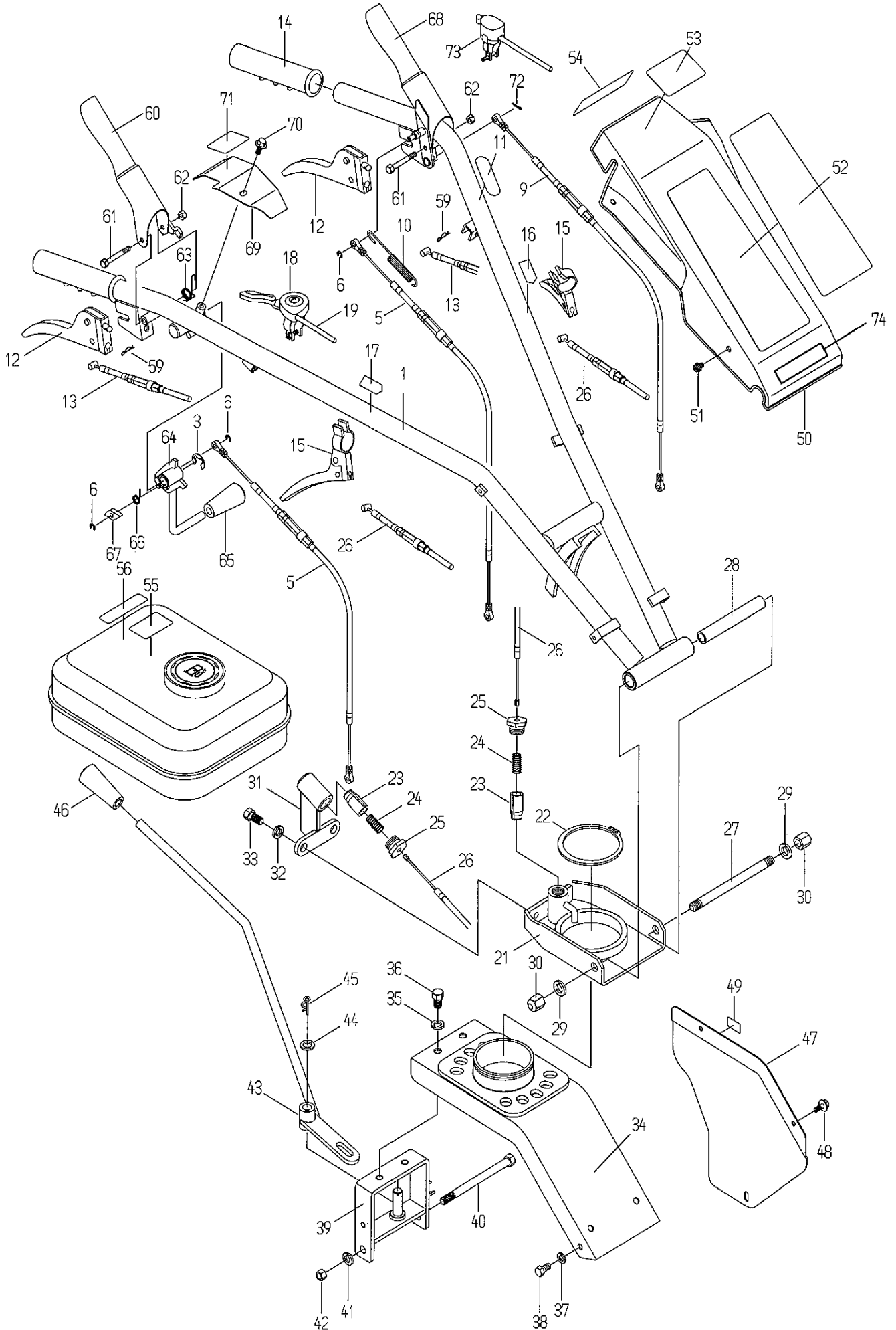


FIG. 1 HANDLE (NEW TYPE)

Ref.	Parts No.	Parts Name	Quantity								Remarks
			OLD	OLD	OLD	OLD	NEW	NEW	NEW	NEW	
			HR	HR	HR	HR	HR	HR	HR	HR	
			661A	661A	801A	801A	661A	661A	801A	801A	
1	0211-20100	Handle CMP					1	1	1	1	*5)
3	89-2521-000100	E-type Ring 10	2	2	2	2	1	1	1	1	
5	83-1614-932-00	Tension Wire	2	2	2	2	2	2	2	2	
6	89-2521-000050	E-type Ring 5	3	3	3	3	3	3	3	3	
9	0211-70500	Brake Wire					1	1	1	1	*5)
10	0211-20600	Brake Spring					1	1	1	1	*5)
11	0211-70600	Label, Driving					1	1	1	1	*5)
12	83-1761-457-00	Side Clutch Lever					2	2	2	2	*5)
13	83-1614-962-00	Side Clutch Wire	2	2	2	2	2	2	2	2	
14	83-1560-414-00	Handle Grip 27	2	2	2	2	2	2	2	2	
15	83-1415-453-00	Lever SC1215	2	2	2	2	2	2	2	2	*9) Remark 2
	83-1415-453-10	Lever 27-05-0822S	2	2	2	2	2	2	2	2	*10)
16	80-1614-917-00	Label, Handle Up/Down	1	1	1	1	1	1	1	1	
17	80-1614-918-00	Label, Handle Right/Left	1	1	1	1	1	1	1	1	
18	83-1530-463-00	Throttle Lever	1	1	1	1	1	1	1	1	
19	83-1415-951-00	Throttle Wire	1	1	1	1	1	1	1	1	
21	80-1310-203-00	Turntable for Handle	1	1	1	1	1	1	1	1	
22	89-2511-000850	Snap Ring 85	1	1	1	1	1	1	1	1	
23	80-1210-216-00	Stopper Pin	2	2	2	2	2	2	2	2	
24	80-1210-217-00	Stopper Spring	2	2	2	2	2	2	2	2	
25	80-1310-215-00	Stopper Cap	2	2	2	2	2	2	2	2	
26	83-1110-965-00	Handle Up/Down/Right/Left Wire					2	2	2	2	*5) *9)
	83-1110-965-10	Handle Up/Down/Right/Left Wire					2	2	2	2	*10)
27	83-1210-133-00	Setting Bolt M12X160	1	1	1	1	1	1	1	1	
28	80-1210-222-00	Handle Setting Collar	1	1	1	1	1	1	1	1	
29	89-1750-120002	Spring Washer 12	2	2	2	2	2	2	2	2	
30	80-1310-228-00	Handle Fix Nut	2	2	2	2	2	2	2	2	
31	80-1330-214-10	Stopper for Handle Up/Down	1	1	1	1	1	1	1	1	
32	89-1750-100002	Spring Washer 10	2	2	2	2	2	2	2	2	
33	89-1211-100202	Mini Hexagonal Bolt M10*20	2	2	2	2	2	2	2	2	
34	80-1614-732-20	Under Bonnet CMP	1	1	1	1	1	1	1	1	
35	89-1750-100002	Spring Washer 10	2	2	2	2	2	2	2	2	
36	89-1211-100162	Mini Hexagonal Bolt M10*16	2	2	2	2	2	2	2	2	
37	89-1750-080002	Spring Washer 8	2	2	2	2	2	2	2	2	
38	89-1213-080162	Mini Hexagonal Bolt (8T) M8*16	2	2	2	2	2	2	2	2	
39	80-1614-262-00	Change Plate	1	1	1	1	1	1	1	1	
40	89-1213-101302	Mini Hexagonal Bolt (8T) M10*130	1	1	1	1	1	1	1	1	
41	89-1750-100002	Spring Washer 10	1	1	1	1	1	1	1	1	
42	89-1611-100042	Mini Hexagonal Nut M8	1	1	1	1	1	1	1	1	
43	80-1614-265-00	Change Lever (FE250.290.EY28)	1	1		1	1	1		1	
	80-1614-266-00	Change Lever (GM301)			1					1	
44	83-1565-329-00	Washer 13x22x2.3	1	1	1	1	1	1	1	1	
45	89-2131-120002	R Pin 12	1	1	1	1	1	1	1	1	
46	83-1711-426-00	Lever Griot 12	1	1	1	1	1	1	1	1	
47	80-1614-746-10	Side Cover	1	1	1	1	1	1	1	1	
48	89-1131-060152	Hexagonal Bolt(PW) 6*15	3	3	3	3	3	3	3	3	
49	83-1712-923-00	Label, Oil Quantity 1.6 L	1	1	1	1	1	1	1	1	
50	80-1415-223-00	Handle Bonnet	1	1	1	1	1	1	1	1	
51	89-1158-060102	Mini Screw(PWSW) M6*10	4	4	4	4	4	4	4	4	
52	80-1614-904-00	Label, Bonnet	1	1	1	1	1	1	1	1	

Fig. 1 HANDLE (NEW TYPE)

HR661A Serial No. YD01K00076~

HR801A Serial No. YG01M00034~

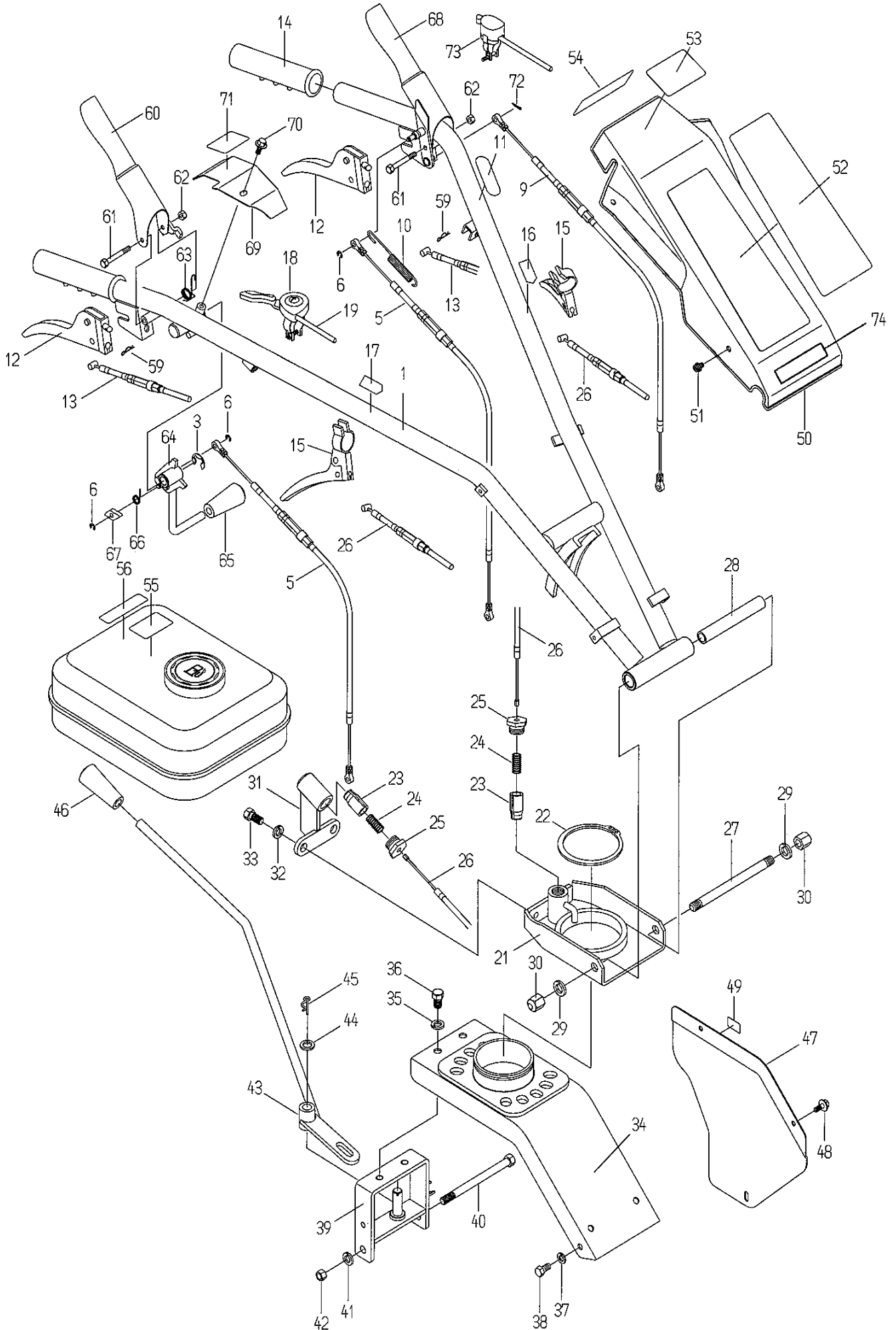


FIG. 1 HANDLE (NEW TYPE)

Ref.	Parts No.	Parts Name	Quantity								Remarks
			OLD	OLD	OLD	OLD	NEW	NEW	NEW	NEW	
			HR	HR	HR	HR	HR	HR	HR	HR	
			661A	661A	801A	801A	661A	661A	801A	801A	
53	80-1614-907-00	Label, Model									
	0211-70100	Label, Model	1	1			1	1			
	0204-70100	Label, Model			1	1			1	1	
54	80-1565-911-10	Label, Change	1	1	1	1	1	1	1	1	
55	83-1415-909-00	Label, Caution for Engine etc	1	1	1	1	1	1	1	1	*6)
	0223-76200	Label, Caution for Engine etc					1	1	1	1	*1) *7)
56	80-1415-911-10	Label, Change	1	1	1	1	1	1	1	1	
59	89-2131-060002	Snap Pin 6					2	2	2	2	*5)
60	0211-20300	Blade clutch lever					1	1	1	1	*5)
61	89-1113-060552	Hexagonal Bolt (8T) M6*55					2	2	2	2	*5)
62	89-1551-060002	Hexagonal U Nut M6					2	2	2	2	*5)
63	80-1417-971-00	Blade clutch return spring					1	1	1	1	*5)
64	0211-20400	Blade tension lever					1	1	1	1	*5)
65	80-1417-255-00	Lever Grip(Red) 10					1	1	1	1	*5)
66	0211-70400	Stopper return spring					1	1	1	1	*5)
67	80-1417-253-00	Stopper					1	1	1	1	*5)
68	0211-20200	Driving clutch lever					1	1	1	1	*5)
69	0211-20500	Upper cover					1	1	1	1	*5)
70	89-1137-060122	Hexagonal Bolt (PW) M6*12					1	1	1	1	*5)
71	80-1417-918-00	Label, Cutting					1	1	1	1	*5)
72	89-2120-200152	Split Pin 2*15					1	1	1	1	*5)
73	80-1614-280-00	Switch Assy					1	1	1	1	*5)
74	83-1310-902-00	OREC Mark	1	1	1	1	1	1	1	1	

M E M O

Remark 1 : Supplied Parts 83-1415-453-10 . 83-1445-965-10 (1 set)

Remark 2 : Supplied Parts 83-1415-453-10 . 83-1110-965-10 (1 set)

*1) : Interchangeable

*2) : Serial Number HR661A : ~YD00M00502 HR801A : ~YG00M00030

*3) : Serial Number HR661A : YD01A00503~ HR801A : YG01A00031~

*4) : Serial Number HR661A : ~YD01D00075 HR801A : ~YG01E00032

*5) : Serial Number HR661A : YD01K00076~ HR801A : YG01M00034~

*6) : Serial Number HR661A : ~YD03G00104 HR801A : ~YG03G00024

*7) : Serial Number HR661A : YD03K00105~ HR801A : YG03J00025~

*8) : Serial Number HR661A : YD004M00409~ HR801A : YG05C00001~

*9) : Serial Number HR661A : ~YD05A00482 HR801A : ~YG04L00034

*10) : Serial Number HR661A : YD05B00001~ HR801A : YG05C00001~

Fig. 2 TRANSMISSION

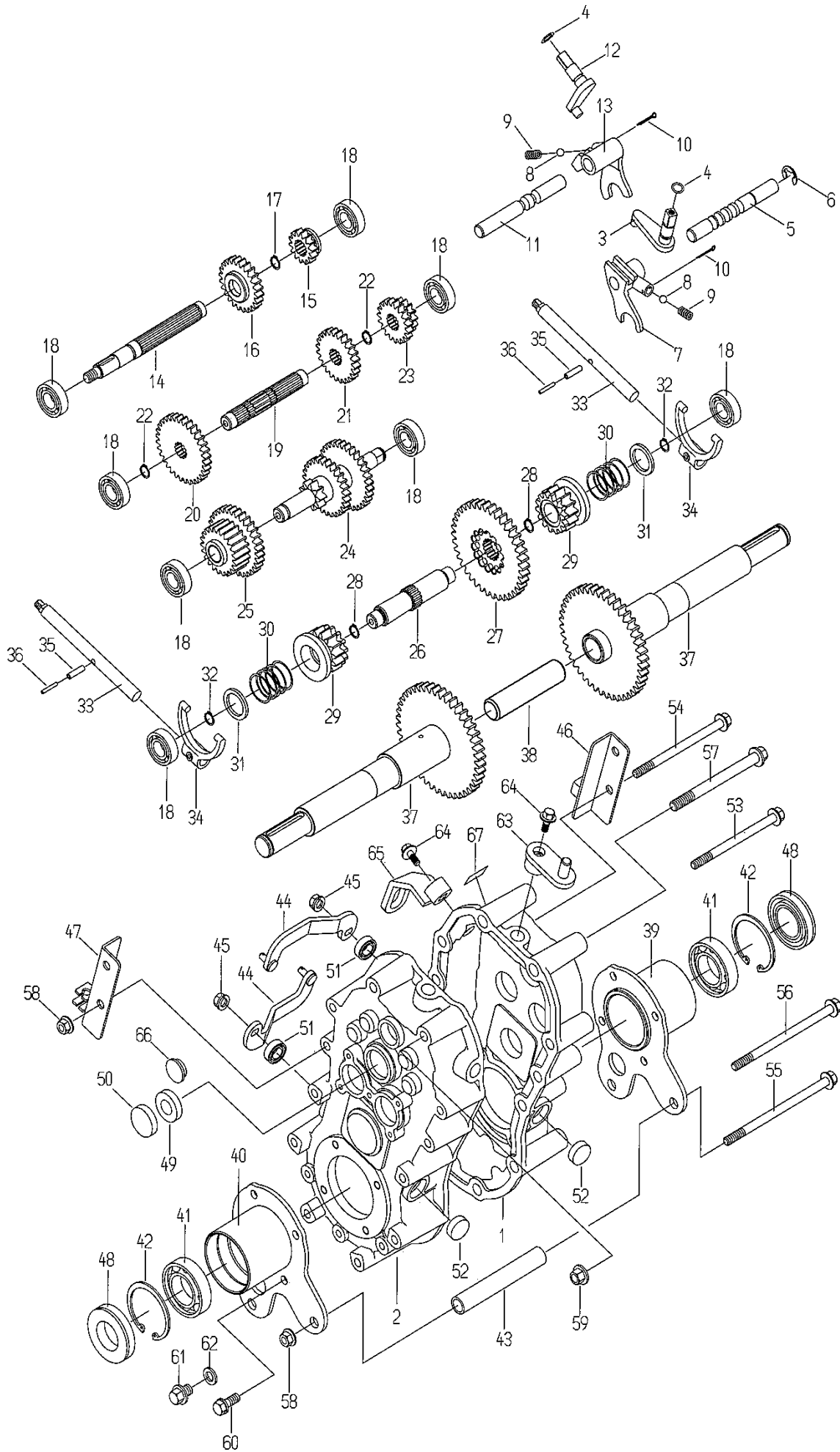


FIG. 2 TRANSMISSION

Ref.	Parts No.	Parts Name	Quantity								Remarks
			OLD	OLD	OLD	OLD	NEW	NEW	NEW	NEW	
			HR	HR	HR	HR	HR	HR	HR	HR	
			661A	661A	801A	801A	661A	661A	801A	801A	
EY28	FE250	GM301	FE290	EY28	FE250	GM301	FE290				
1	80-1614-101-00	Transmission Case (L)	1	1	1	1	1	1	1	1	
2	80-1614-103-00	Transmission Case (R)	1	1	1	1	1	1	1	1	
3	80-1575-106-00	Swing Arm	1	1	1	1	1	1	1	1	
4	89-5221-009000	O Ring P9	2	2	2	2	2	2	2	2	
5	80-1575-107-20	Shift Folk Shaft	1	1	1	1	1	1	1	1	
6	89-2521-000100	E-type Ring 10	1	1	1	1	1	1	1	1	
7	80-1575-108-10	1st Shaft Shift Folk	1	1	1	1	1	1	1	1	
8	89-3410-075000	Ball 7.5	2	2	2	2	2	2	2	2	
9	80-1310-138-00	Spring 1.4	2	2	2	2	2	2	2	2	
10	89-2120-200202	Pin 2*20	2	2	2	2	2	2	2	2	
11	80-1575-110-00	Sub Change Shift Fork Shaft	1	1	1	1	1	1	1	1	
12	80-1575-109-00	Swing Arm	1	1	1	1	1	1	1	1	
13	80-1575-111-00	Sub Change Shift Fork	1	1	1	1	1	1	1	1	
14	80-1614-118-00	Trasmission 1st Shaft	1	1	1	1	1	1	1	1	
15	80-1575-120-10	1st Shaft Shift Gear 14T	1	1	1	1	1	1	1	1	
16	80-1575-121-00	Top Gear 24T									
	0211-00100	Top Gear 27T	1	1	1	1	1	1	1	1	
17	89-2511-000160	Snap Ring 16	1	1	1	1	1	1	1	1	
18	89-3111-062024	Bearing 6202	8	8	8	8	8	8	8	8	
19	80-1575-127-20	2nd Shaft	1	1	1	1	1	1	1	1	
20	80-1575-128-10	2nd Shaft Gear 32T	1	1	1	1	1	1	1	1	
21	80-1575-129-10	2nd Shaft Gear 24T									
	0211-00200	2nd Shaft Gear 27T	1	1	1	1	1	1	1	1	
22	89-2511-000170	Snap Ring 17	2	2	2	2	2	2	2	2	
23	80-1575-130-50	Sub Change Shift Gear 14-19	1	1	1	1	1	1	1	1	
24	80-1614-134-10	3rd Shaft CMP	1	1	1	1	1	1	1	1	
25	80-1575-135-10	3rd Shaft Law Gear CMP 22-32									
	0211-00300	3rd Shaft Law Gear CMP 19-32	1	1	1	1	1	1	1	1	
26	80-1575-140-00	Side Clutch Shaft	1	1	1	1	1	1	1	1	
27	80-1575-142-00	Side Clutch Gear 38T	1	1	1	1	1	1	1	1	
28	89-2511-000200	Snap Ring 20	2	2	2	2	2	2	2	2	
29	80-1032-141-00	Side Clutch Gear 14T	2	2	2	2	2	2	2	2	
30	80-1575-162-00	Side Clutch Spring	2	2	2	2	2	2	2	2	
31	83-1633-362-10	Thrust Washer 15x30x1.2	2	2	2	2	2	2	2	2	
32	89-2511-000150	Snap Ring 15	2	2	2	2	2	2	2	2	
33	80-1425-112-00	Driving Clutch Folk Shaft	2	2	2	2	2	2	2	2	
34	80-1415-114-00	Side Clutch Folk	2	2	2	2	2	2	2	2	
35	89-2111-050020	Spring Pin 5x20	2	2	2	2	2	2	2	2	
36	89-2111-030020	Spring Pin 3x20	2	2	2	2	2	2	2	2	
37	80-1614-146-10	Axle CMP	2	2			2	2			
	0204-00100	Axle CMP			2	2			2	2	
38	80-1310-150-10	Shaft Pin	1	1	1	1	1	1	1	1	
39	80-1565-156-00	Shaft BB Case (R)	1	1	1	1	1	1	1	1	
40	80-1565-155-00	Shaft BB Case (L)	1	1	1	1	1	1	1	1	
41	89-3111-060064	Bearing 6006	2	2	2	2	2	2	2	2	
42	89-2512-000550	Snap Ring 55	2	2	2	2	2	2	2	2	
43	80-1565-159-00	Shaft BB Reinforce Pipe	2	2	2	2	2	2	2	2	
44	80-1565-153-00	Side Clutch Arm	2	2	2	2	2	2	2	2	
45	89-1543-080002	Mini Hexagonal Nut(SW) M8	2	2	2	2	2	2	2	2	
46	80-1565-197-00	Side Clutch Wire Stopper (L)	1	1	1	1	1	1	1	1	
47	80-1614-198-10	Side Clutch Wire Stopper (R)	1	1	1	1	1	1	1	1	

Fig. 2 TRANSMISSION

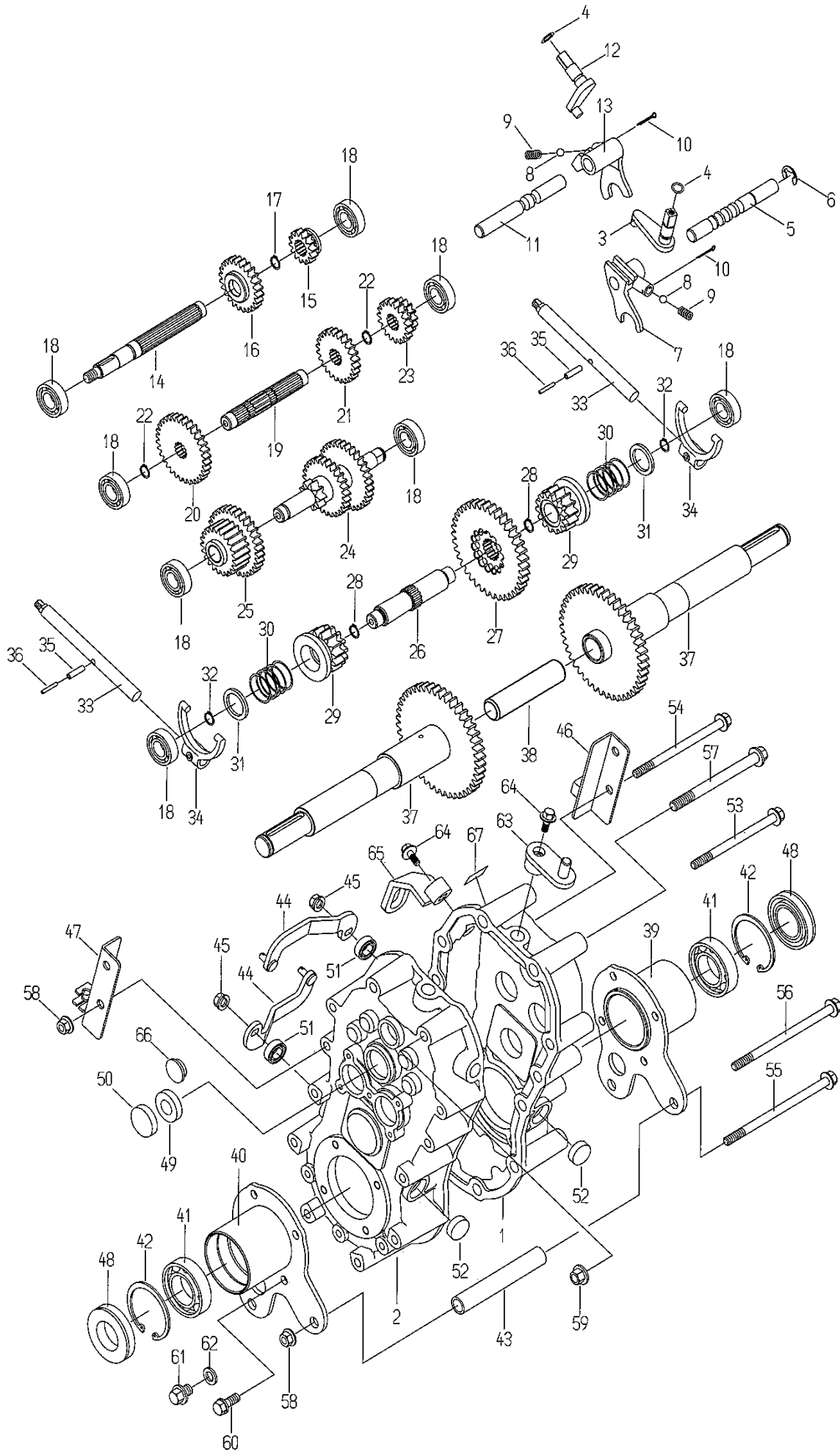


FIG. 2 TRANSMISSION

Ref.	Parts No.	Parts Name	Quantity								Remarks
			OLD	OLD	OLD	OLD	NEW	NEW	NEW	NEW	
			HR	HR	HR	HR	HR	HR	HR	HR	
			661A	661A	801A	801A	661A	661A	801A	801A	
EY28	FE250	GM301	FE290	EY28	FE250	GM301	FE290				
48	83-1415-662-00	Oil Seal AP 35.55.8	2	2	2	2	2	2	2	2	
49	89-5121-153007	Oil Seal UE 15.30.7	2	2	2	2	2	2	2	2	
50	83-1415-672-00	Blind Cover 30	2	2	2	2	2	2	2	2	
51	89-5121-122207	Oil Seal UE 12x22x7	2	2	2	2	2	2	2	2	
52	83-1415-671-00	Blind Cover 22	2	2	2	2	2	2	2	2	
53	89-1251-081122	Flange Hexagonal Bolt M8*112	2	2	2	2	2	2	2	2	
54	89-1251-081202	Flange Hexagonal Bolt M8*120	2	2	2	2	2	2	2	2	
55	89-1251-081402	Flange Hexagonal Bolt M8*140	3	3	3	3	3	3	3	3	
56	89-1251-081352	Flange Hexagonal Bolt M8*135	2	2	2	2	2	2	2	2	
57	89-1251-101152	Flange Hexagonal Bolt M8*115	1	1	1	1	1	1	1	1	
58	89-1565-080003	Mini Flange U Nut M8	9	9	9	9	9	9	9	9	
59	89-1565-100003	Mini Flange U Nut M10	1	1	1	1	1	1	1	1	
60	83-1415-127-00	Seal Bolt(SW) M8x20	8	8	8	8	8	8	8	8	
61	89-1251-100122	Flange Hexagonal Bolt M10*12	1	1	1	1	1	1	1	1	
62	83-1020-349-00	Copper Packing 10	1	1	1	1	1	1	1	1	
63	80-1565-264-00	Main Change Arm(Complete)	1	1	1	1	1	1	1	1	
64	83-1565-111-00	Hexagonal Bolt(with Big Washer) M	2	2	2	2	2	2	2	2	
65	80-1614-194-10	Sub Change Arm(complete)	1	1	1	1	1	1	1	1	
66	83-1110-683-00	Oil Stopper 20	2	2	2	2	2	2	2	2	
67	80-1614-909-00	Label, Transmission Set									
	0211-70200	Label, Transmission	1	1			1	1			
	0204-70200	Label, Transmission			1	1			1	1	

M E M O

Fig. 3 FRAME

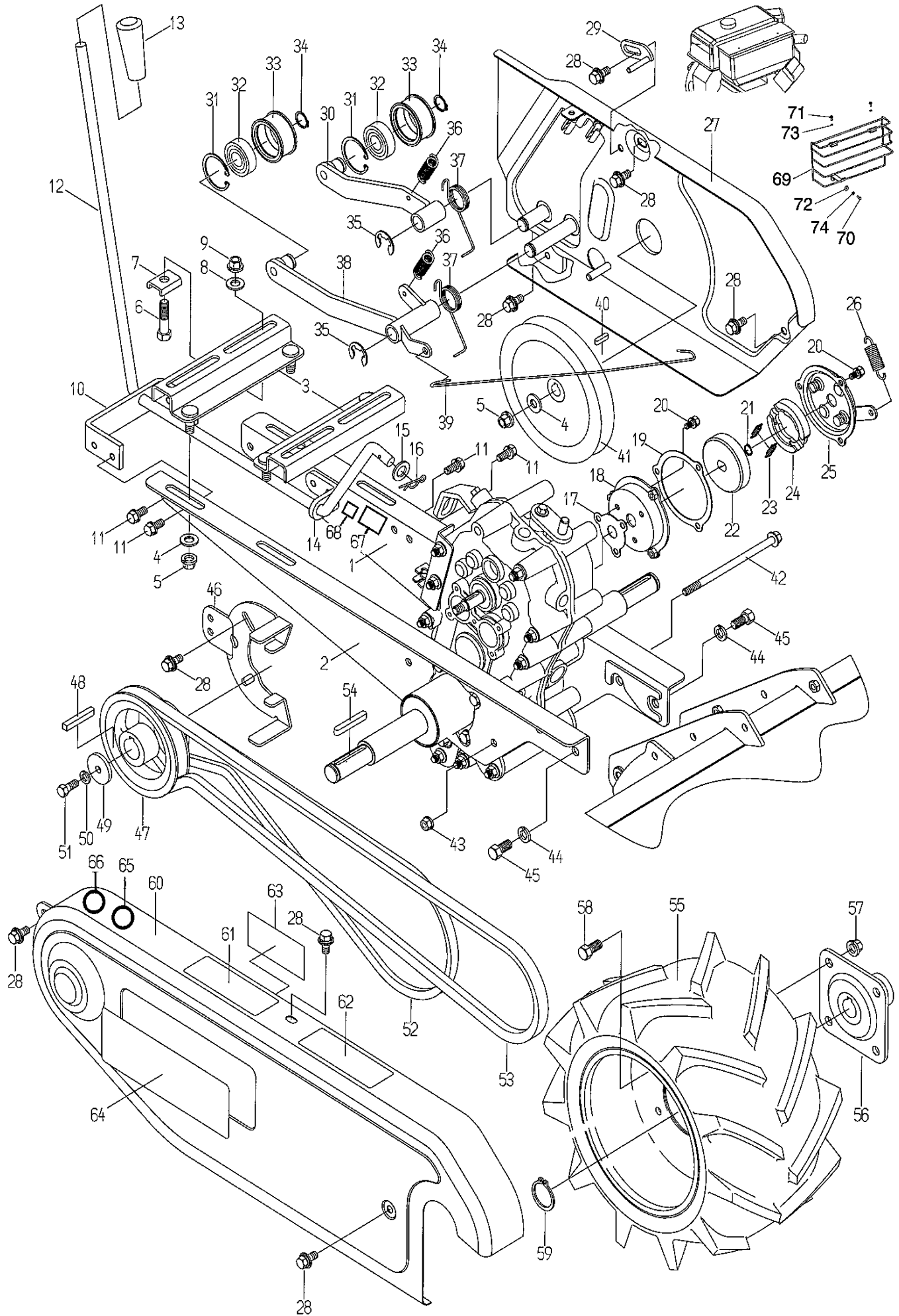


FIG. 3 FRAME

Ref.	Parts No.	Parts Name	Quantity								Remarks
			OLD	OLD	OLD	OLD	NEW	NEW	NEW	NEW	
			HR	HR	HR	HR	HR	HR	HR	HR	
			661A	661A	801A	801A	661A	661A	801A	801A	
				EY28	FE250	GM301	FE290				
1	80-1614-301-20	Main Frame(L) CMP	1	1	1	1	1	1	1	1	
2	80-1614-302-20	Main Frame(R) CMP	1	1	1	1	1	1	1	1	
3	80-1415-311-20	Free Base	2	2	2	2	2	2	2	2	
4	89-1711-100002	Flat Washer	5	5	5	5	5	5	5	5	
5	89-1543-100002	Mini Hexagonal Nut(SW) M10	5	5	5	5	5	5	5	5	
6	89-1211-100402	Mini Hexagonal Bolt M10*40	4		4		4		4		
	89-1213-080402	Mini Hexagonal Bolt (8T) M8*40		4		4		4		4	
7	83-1210-389-00	Whirl Stop Plate A10 (H17)	4		4		4		4		
	0211-31100	Whirl Stop Plate A10 (H14)	4		4		4		4		
	83-1210-388-00	Whirl Stop Plate B8		4		4		4		4	
8	89-1711-100002	Flat Washer 10	2		2	2	2		2		
	89-1711-080002	Flat Washer 8		2				2		2	
9	89-1543-100002	Mini Hexagonal Nut(SW) M10	4		4		4		4		
	89-1543-080002	Mini Hexagonal Nut(SW) M8		4		4		4		4	
10	80-1415-326-00	Rear Bracket	1	1	1	1	1	1	1	1	
11	89-1232-080162	Mini Hexagonal Bolt (SW) M8*16	6	6	6	6	6	6	6	6	
12	80-1415-263-00	Change Lever (FE250.FE290.GM301)		1	1	1		1	1	1	
	80-1415-263-10	Change Lever (FE250.FE290.GM301)		1	1	1		1	1	1	*1)
	80-1614-263-00	Change Lever (EY28)	1				1				
13	83-1711-426-00	Lever Grip 12	1	1	1	1	1	1	1	1	
14	80-1415-327-00	Change Rod Setting	1	1	1	1	1	1	1	1	
15	89-1711-120002	Flat Washer 12	1	1	1	1	1	1	1	1	
16	89-2131-120002	R Pin 12	1	1	1	1	1	1	1	1	
17	85-1445-317-00	Brake Packing(small)	1	1	1	1	1	1	1	1	
18	80-1614-312-00	Brake Cover CMP	1	1	1	1	1	1	1	1	
19	85-1445-318-00	Brake Packing(large)	1	1	1	1	1	1	1	1	
	0211-31800	Brake Packing(large)	1	1	1	1	1	1	1	1	*1)
20	89-1132-060122	Hexagonal Bolt(SW) M6*12	6	6	6	6	6	6	6	6	
21	89-2511-000140	Snap Ring 14	1	1	1	1	1	1	1	1	
22-25	80-1614-310-00	Brake ASSY	1	1	1	1	1	1	1	1	
22	85-1711-315-00	Brake Drum	1	1	1	1	1	1	1	1	
23	85-1711-317-00	Shoe Return Spring	2	2	2	2	2	2	2	2	
24	85-1711-316-00	Brake Shoe	2	2	2	2	2	2	2	2	
25	80-1614-314-00	Brake Cover	1	1	1	1	1	1	1	1	
26	80-1614-315-00	Return Spring	1	1	1	1	1	1	1	1	
27	80-1614-501-20	Belt Cover Inside CMP	1	1	1	1	1	1	1	1	
28	89-1233-080162	Mini Hexagonal Bolt (PWSW) M8*1	9	9	9	9	9	9	9	9	
29	80-1321-561-10	Belt Holder	1	1	1	1	1	1	1	1	
30	80-1614-542-10	Driving Tension Arm	1	1	1	1	1	1	1	1	
31	89-2512-000400	Snap Ring 40	2	2	2	2	2	2	2	2	
32	89-3115-062034	Bearing 6203 2RS	2	2	2	2	2	2	2	2	
33	83-1032-765-00	Tension Pulley	2	2	2	2	2	2	2	2	
34	89-2511-000170	Snap Ring 17	2	2	2	2	2	2	2	2	
35	89-2521-000150	E-type Ring 15	2	2	2	2	2	2	2	2	
36	80-1560-551-00	Return Spring	2	2	2	2	2	2	2	2	
37	80-1614-552-00	Tension Spring	2	2	2	2	2	2	2	2	
38	80-1614-546-10	Knife Tension Arm	1	1	1	1	1	1	1	1	
39	80-1614-374-30	Brake Rod	1	1	1	1	1	1	1	1	
40	89-2150-050200	Key 5x20	1	1	1	1	1	1	1	1	
41	80-1614-521-00	Transmission Pulley	1	1	1	1	1	1	1	1	
42	89-1251-081453	Flange Hexagonal Bolt M8*145	3	3	3	3	3	3	3	3	

Fig. 3 FRAME

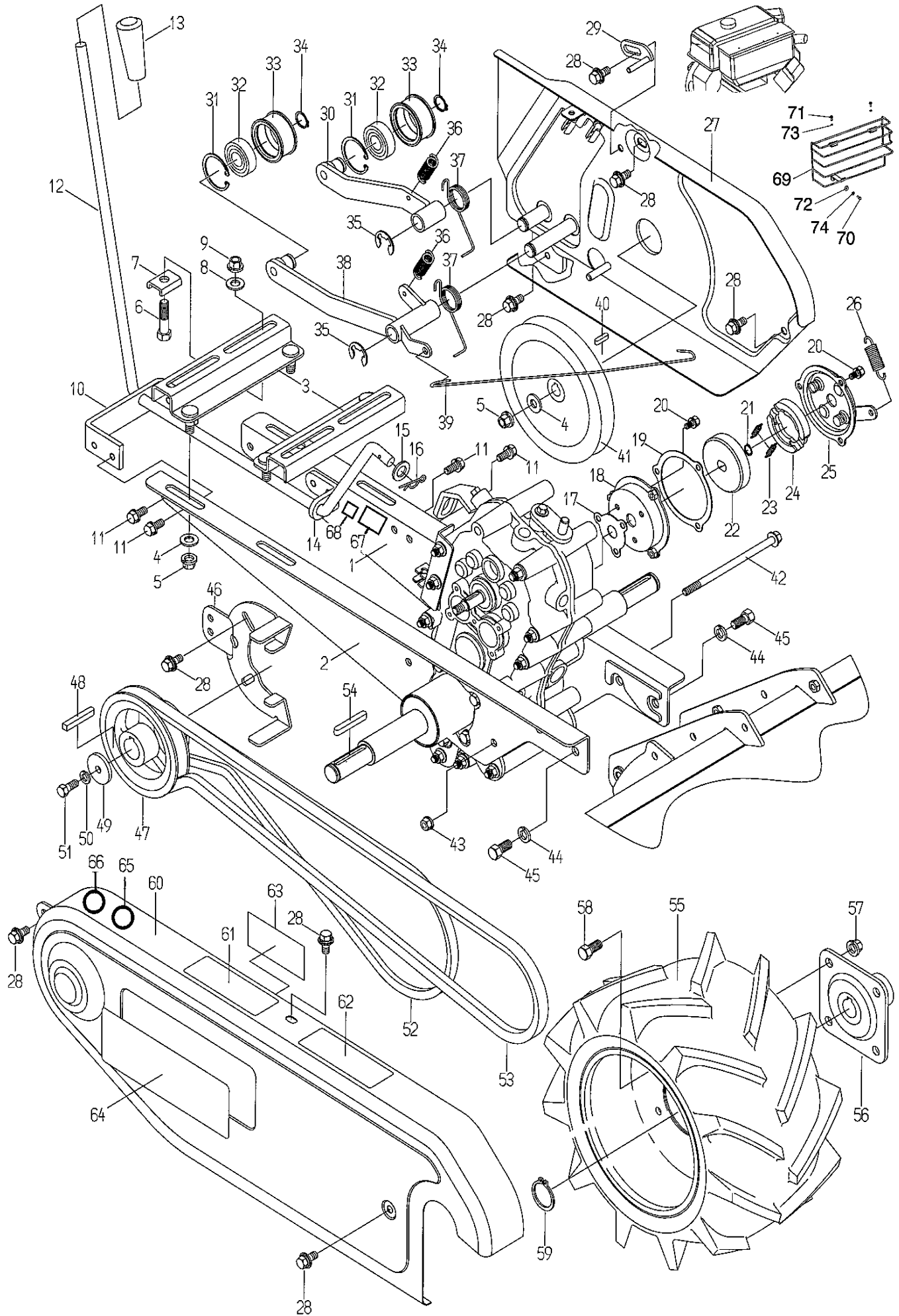


FIG. 3 FRAME

Ref.	Parts No.	Parts Name	Quantity								Remarks
			OLD	OLD	OLD	OLD	NEW	NEW	NEW	NEW	
			HR	HR	HR	HR	HR	HR	HR	HR	
			661A	661A	801A	801A	661A	661A	801A	801A	
EY28	FE250	GM301	FE290	EY28	FE250	GM301	FE290				
43	89-1543-080002	Mini Hexagonal Nut(SW) M8	3	3	3	3	3	3	3	3	
44	89-1750-100002	Spring Washer 10	4	4	4	4	4	4	4	4	
45	89-1213-100202	Mini Hexagonal Bolt (8T) M10*20	4	4	4	4	4	4	4	4	
46	80-1614-561-20	Belt Holder	1	1	1	1	1	1	1	1	
47	80-1614-514-20	Engine Pulley 132	1	1	1	1	1	1	1	1	
48	89-2151-070400	Key 7x40	1	1	1	1	1	1	1	1	
49	83-1565-315-00	Washer 8x36x4.5	1	1	1	1	1	1	1	1	
50	89-1750-080002	Spring Washer 8	1	1	1	1	1	1	1	1	
51	89-1213-080202	Mini Hexagonal Bolt (8T) M8*20	1	1	1	1	1	1	1	1	
52	89-6122-004601	V Belt LA-46		1				1			
	89-6122-004701	V Belt LA-47	1				1				
	89-6122-004602	V Belt LA-46 W800			1	1			1	1	
53	89-6123-006201	V Belt LB-62		1				1			
	89-6123-006301	V Belt LB-63	1				1				
	89-6123-006202	V Belt LB-62 W800			1	1			1	1	
54	89-2150-070500	Key 7x50	2	2	2	2	2	2	2	2	
55	80-1751-412-00	Tire(R) ASSY	1	1	1	1	1	1	1	1	
	80-1751-411-00	Tire(L) ASSY	1	1	1	1	1	1	1	1	
56	80-1565-413-00	Wheel Boss	2	2	2	2	2	2	2	2	
57	89-1543-100002	Mini Hexagonal Nut(SW) M10	8	8	8	8	8	8	8	8	
58	89-1211-100202	Mini Hexagonal Bolt M10*20	8	8	8	8	8	8	8	8	
59	89-2511-000220	Snap Ring 22	2	2	2	2	2	2	2	2	
60	80-1614-504-10	Belt Cover CMP	1	1	1	1	1	1	1	1	
	80-1614-504-20	Belt Cover CMP	1	1	1	1	1	1	1	1	*1)
61	80-1488-928-00	Label, Caution for Pinching	1	1	1	1	1	1	1	1	*6)
	80-1488-928-10	Label, Caution for Pinching					1	1	1	1	*1) *7)
62	83-1260-908-00	Label, Caution for Back	1	1	1	1	1	1	1	1	*6)
63	83-1614-920-10	Label, Belt Size	1	1	1	1	1	1	1	1	
64	80-1614-905-00	Label, Belt Case	1	1	1	1	1	1	1	1	
65	0215-83200	Label, Protection Equipment					1	1	1	1	*7)
66	0223-72900	Attention Mark for Slope					1	1	1	1	*7)
	0223-72910	Attention Mark for Slope					1	1	1	1	*1) 8)
67	80-1020-932-00	Label, Noise 100db	1	1	1	1	1	1	1	1	
68	80-1010-933-00	Label, CE	1	1	1	1	1	1	1	1	
69	0223-60700	Muffler Guard CMP						1		1	*8)
70	89-1113-060162	Hexagonal Bolt (8T) M6*16						1		1	*8)
71	89-1251-050123	Flange Hexagonal Bolt M5*12						2		2	*8)
72	89-1713-060002	Flat Washer 6						1		1	*8)
73	89-1750-050003	Spring Washer 5						2		2	*8)
74	89-1750-060002	Spring Washer 6						1		1	*8)

M E M O

Fig. 4 ROTARY COVER

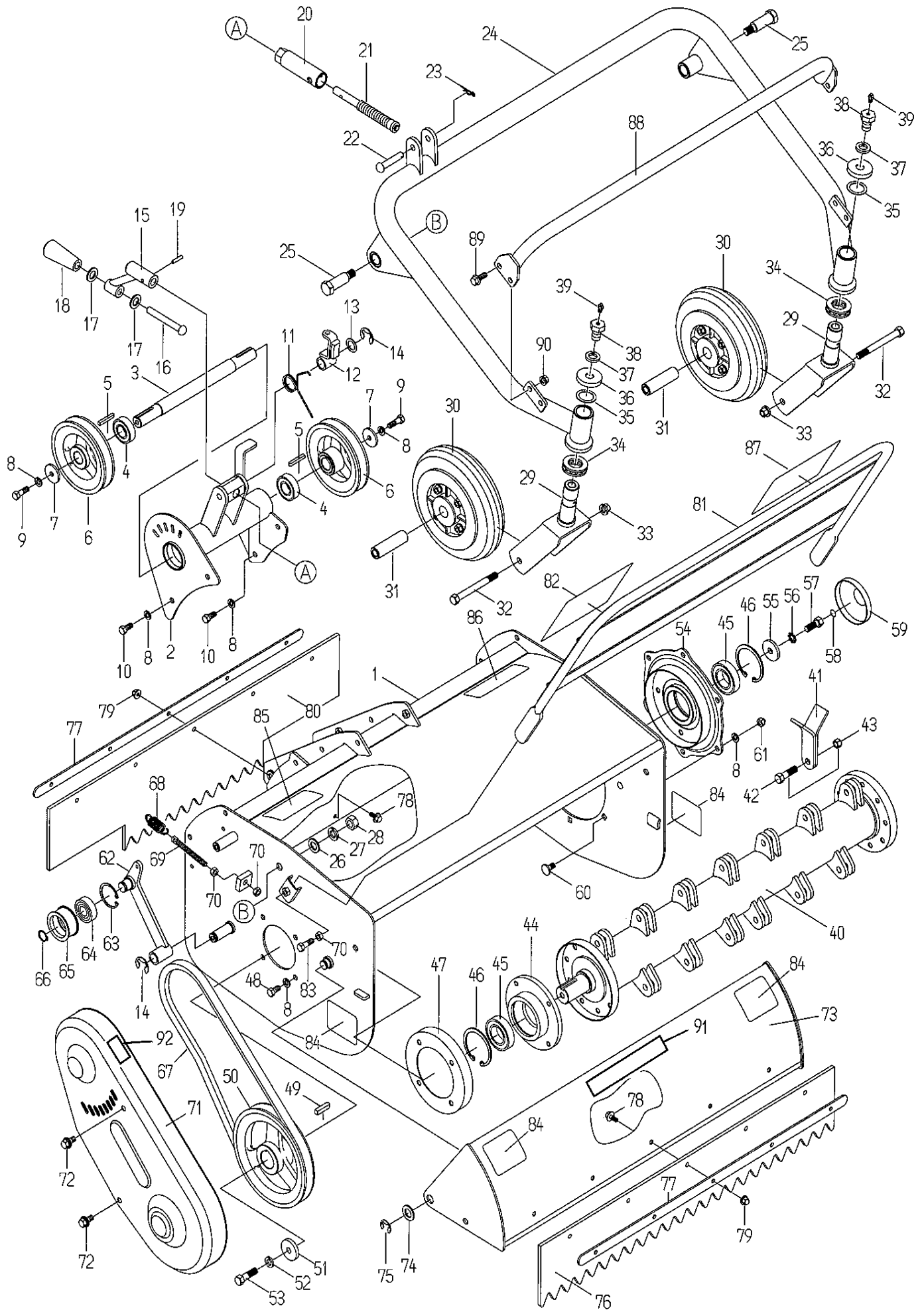


FIG. 4 ROTARY COVER

Ref.	Parts No.	Parts Name	Quantity								Remarks	
			OLD	OLD	OLD	OLD	NEW	NEW	NEW	NEW		
			HR	HR	HR	HR	HR	HR	HR	HR		
			661A	661A	801A	801A	661A	661A	801A	801A		
EY28	FE250	GM301	FE290	EY28	FE250	GM301	FE290					
1	80-1614-703-20	Rotary Cover CMP	1	1								
	80-1614-703-30	Rotary Cover CMP	1	1			1	1				*1)
	0204-60100	Rotary Cover CMP			1	1						
	0204-60110	Rotary Cover CMP			1	1				1	1	*1)
2	80-1614-691-20	Supporter Pipe CMP	1	1								
	80-1614-691-30	Supporter Pipe CMP	1	1			1	1				*1)
	0204-40200	Supporter Pipe CMP			1	1				1	1	
3	80-1614-621-20	Supporter Shaft	1	1			1	1				*2)
	80-1614-621-30	Supporter Shaft	1	1			1	1				*3)
	0204-40100	Supporter Shaft			1	1				1	1	*2)
	0204-40110	Supporter Shaft			1	1				1	1	*3)
4	89-3115-060044	Bearing 6004 2RS	2	2	2	2	2	2	2	2	2	
5	89-2151-050350	Key 5x35	2	2	2	2	2	2	2	2	2	
6	80-1614-636-00	Supporter Pulley	2	2	2	2	2	2	2	2	2	
7	83-1565-315-00	Washer 8x36x4.5	2	2	2	2	2	2	2	2	2	*2)
	83-1610-321-00	Washer 10x36x4.5	2	2	2	2	2	2	2	2	2	*3)
8	89-1750-080002	Spring Washer 8	16	16	16	16	16	16	16	16	16	*2)
	89-1750-080002	Spring Washer 8	14	14	14	14	14	14	14	14	14	*3)
	89-1750-100002	Spring Washer 10	2	2	2	2	2	2	2	2	2	*3)
9	89-1213-080252	Mini Hexagonal Bolt (8T) M8*25	2	2	2	2	2	2	2	2	2	*2)
	89-1213-100252	Mini Hexagonal Bolt (8T) M10*25	2	2	2	2	2	2	2	2	2	*3)
10	89-1213-080182	Mini Hexagonal Bolt (8T) M8*18	4	4	4	4	4	4	4	4	4	
11	80-1614-373-20	Knife Brake Spring	1	1	1	1	1	1	1	1	1	
12	80-1417-371-00	Knife Brake	1	1	1	1	1	1	1	1	1	
	0231-37100	Knife Brake	1	1	1	1	1	1	1	1	1	*1)
13	83-1020-363-00	Thrust Washer 16x24x1.0	1	1	1	1	1	1	1	1	1	
14	89-2521-000150	E-type Ring 15	2	2	2	2	2	2	2	2	2	
15	84-1723-739-00	Cutting Height Adjusting Handle	1	1	1	1	1	1	1	1	1	
16	83-1713-166-00	Round Head Pin 10x80	1	1	1	1	1	1	1	1	1	
17	89-1711-100002	Flat Washer 10	2	2	2	2	2	2	2	2	2	
18	83-1210-425-00	Lever Grip 10	1	1	1	1	1	1	1	1	1	
19	89-2111-050022	Spring Pin 5x22	1	1	1	1	1	1	1	1	1	
20	80-1614-742-10	Height Adjusting Bolt Receiver	1	1	1	1	1	1	1	1	1	
21	80-1614-724-10	Height Adjusting Bolt CMP	1	1	1	1	1	1	1	1	1	
22	89-2181-100502	Flat Head Pin 10x50	1	1	1	1	1	1	1	1	1	
23	89-2131-100002	R Pin 10	1	1	1	1	1	1	1	1	1	
24	80-1614-723-20	Front Arm CMP	1	1								
	0211-60400	Front Arm CMP					1	1				*1) *5)
	0204-60200	Front Arm CMP			1	1						
	0204-61100	Front Arm CMP								1	1	*1) *5)
25	80-1610-714-00	Front Arm Setting Shaft	2	2	2	2	2	2	2	2	2	
26	89-1711-120002	Flat Washer 12	2	2	2	2	2	2	2	2	2	
27	89-1750-120002	Spring Washer 12	2	2	2	2	2	2	2	2	2	
28	83-1610-192-00	Hexagonal Nut(slender) M12 P=1.2	2	2	2	2	2	2	2	2	2	
29	80-1614-725-10	Front Fork CMP	2	2	2	2	2	2	2	2	2	
	80-1614-725-20	Front Fork CMP	2	2	2	2	2	2	2	2	2	*1)
30	80-1614-727-00	Front Wheel	2	2	2	2	2	2	2	2	2	
31	80-1614-726-00	Front Wheel Collar	2	2	2	2	2	2	2	2	2	
32	89-1211-100952	Mini Hexagonal Bolt M10*95	2	2	2	2	2	2	2	2	2	
33	89-1543-100002	Mini Hexagonal Nut(SW) M10	2	2	2	2	2	2	2	2	2	
34	89-3370-051105	Thrust Bearing 51105	2	2	2	2	2	2	2	2	2	

Fig. 4 ROTARY COVER

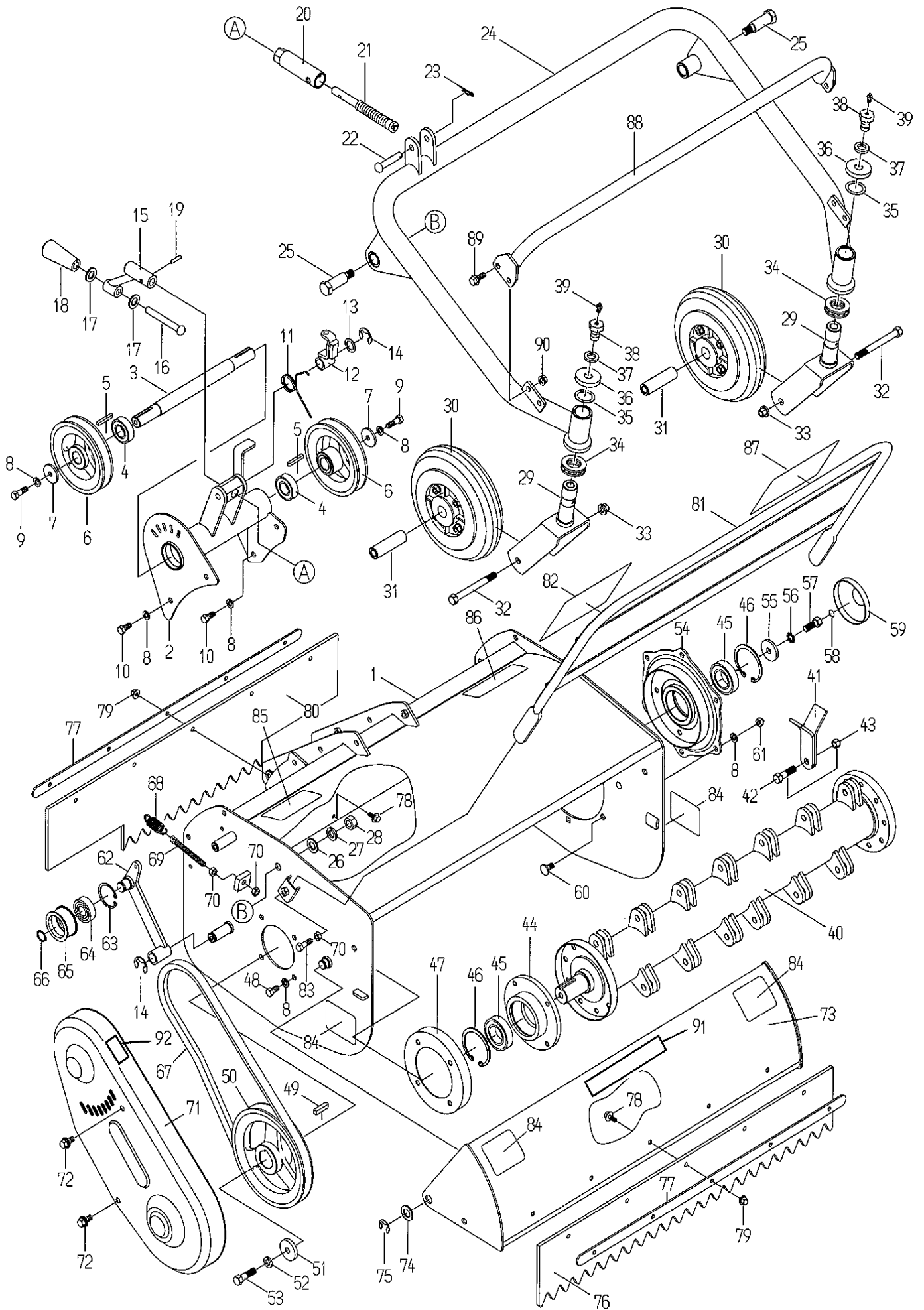


FIG. 4 ROTARY COVER

Ref.	Parts No.	Parts Name	Quantity								Remarks
			OLD	OLD	OLD	OLD	NEW	NEW	NEW	NEW	
			HR	HR	HR	HR	HR	HR	HR	HR	
			661A	661A	801A	801A	661A	661A	801A	801A	
EY28	FE250	GM301	FE290	EY28	FE250	GM301	FE290				
35	83-1783-376-00	Thrust Washer 25x34x1.0	2	2	2	2	2	2	2	2	
36	84-1783-729-00	Dust Cover	2	2	2	2	2	2	2	2	
37	89-1750-140002	Spring Washer 14	2	2	2	2	2	2	2	2	
38	84-1783-791-00	Grease Nipple Bolt	2	2	2	2	2	2	2	2	
39	83-1415-975-00	Grease Nipple M6	2	2	2	2	2	2	2	2	
40-43	80-1614-800-00	Knife Drum ASSY	1	1			1	1			
40-43	0204-50000	Knife Drum ASSY			1	1			1	1	
41	80-1610-821-00	Hammer Knife Blade	38	38	46	46	38	38	46	46	
42-43	83-1610-835-00	Knife Setting Bolt Set	19	19	23	23	19	19	23	23	
44	80-1610-804-00	BB Case	1	1	1	1	1	1	1	1	
45	89-3115-062064	Bearing 6206 2RS	2	2	2	2	2	2	2	2	
46	89-2512-000620	Snap Ring 62	2	2	2	2	2	2	2	2	
47	80-1612-813-00	Dust Cover	1	1	1	1	1	1	1	1	
48	89-1213-080162	Mini Hexagonal Bolt (8T) M8*16	4	4	4	4	4	4	4	4	
49	89-2151-070300	Key 7x30	1	1	1	1	1	1	1	1	
50	80-1614-634-20	Knife Pulley 155	1	1	1	1	1	1	1	1	
51	83-1610-322-00	Washer 10x36x6	1	1	1	1	1	1	1	1	
52	89-1750-100002	Spring Washer 10	1	1	1	1	1	1	1	1	
53	83-1610-125-00	Hexagonal Bolt(8T) M10x35	1	1	1	1	1	1	1	1	
54	80-1614-804-20	Knife Shaft BB Case CMP	1	1	1	1	1	1	1	1	
55	83-1610-321-00	Washer 10x36x4.5	1	1	1	1	1	1	1	1	
56	89-1812-100002	Tooth Washer 10	1	1	1	1	1	1	1	1	
57	83-1610-124-00	Hexagonal Bolt(8T) M10x25(left sc	1	1	1	1	1	1	1	1	
58	80-1610-919-00	Label for Left Screw	1	1	1	1	1	1	1	1	
59	80-1614-810-00	BB Case Cover	1	1	1	1	1	1	1	1	
60	80-1614-705-00	Flat Head Bolt M8x18	6	6	6	6	6	6	6	6	
61	89-1671-080042	Mini Bag Nut M8	6	6	6	6	6	6	6	6	
62	80-1614-632-00	Front Tension Arm CMP	1	1	1	1	1	1	1	1	
63	89-2512-000400	Snap Ring 40	1	1	1	1	1	1	1	1	
64	89-3115-062034	Bearing 6203 2RS	1	1	1	1	1	1	1	1	
65	83-1032-765-00	Tension Pulley	1	1	1	1	1	1	1	1	
66	89-2511-000170	Snap Ring 17	1	1	1	1	1	1	1	1	
67	89-6123-003901	V Belt LB-39	1	1			1	1			
	89-6123-003902	V Belt LB-39 W800			1	1			1	1	
68	80-1614-315-00	Return Spring	1	1	1	1	1	1	1	1	
69	80-1182-527-00	Tension Pulling Bolt	1	1	1	1	1	1	1	1	
70	89-1611-080042	Mini Hexagonal Nut M8	4	4	4	4	4	4	4	4	
71	80-1614-694-10	Knife Belt Cover	1	1	1	1	1	1	1	1	
72	89-1233-080162	Mini Hexagonal Bolt (PWSW) M8*1	2	2	2	2	2	2	2	2	
73	80-1614-764-00	Front Cover CMP	1	1			1	1			
	0204-60300	Front Cover CMP			1	1			1	1	
74	83-1110-332-00	Washer 15x26x2.3	2	2	2	2	2	2	2	2	
75	89-2521-000120	E-type Ring 12	2	2	2	2	2	2	2	2	
76	80-1614-781-00	Front Flapper	1	1			1	1			
	80-1614-781-10	Front Flapper	1	1			1	1			*1)
	0204-60400	Front Flapper			1	1			1	1	
77	80-1610-787-00	Flapper Holder	2	2			2	2			
	0204-70600	Flapper Holder			2	2			2	2	
78	89-1137-060152	Hexagonal Bolt(PW) M6*15	10	10	10	10	10	10	10	10	
79	83-1575-189-00	Flange Cap Nut M6	10	10	10	10	10	10	10	10	

Fig. 4 ROTARY COVER

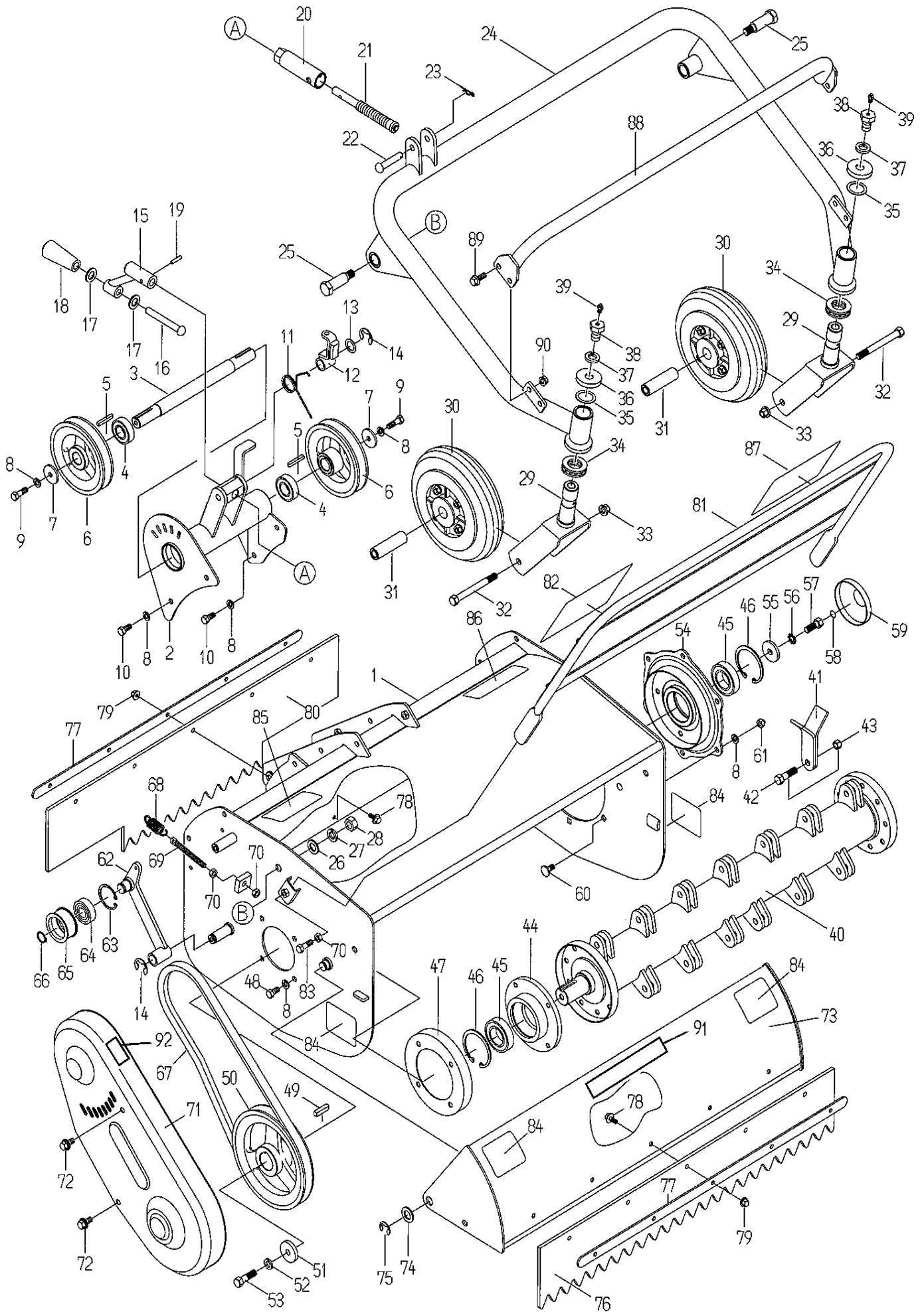


FIG. 4 ROTARY COVER

Ref.	Parts No.	Parts Name	Quantity								Remarks	
			OLD	OLD	OLD	OLD	NEW	NEW	NEW	NEW		
			HR	HR	HR	HR	HR	HR	HR	HR		
			661A	661A	801A	801A	661A	661A	801A	801A		
EY28	FE250	GM301	FE290	EY28	FE250	GM301	FE290					
80	80-1614-782-00	Rear Flapper	1	1			1	1				
	80-1614-782-10	Rear Flapper	1	1			1	1				*1)
	0204-60500	Rear Flapper			1	1				1	1	
81	80-1613-733-10	Safety Cover	1	1			1	1				
	0204-60700	Safety Cover			1	1				1	1	
82	80-1614-906-00	Label, Safety Cover	1	1	1	1	1	1	1	1	1	
83	89-1211-080252	Mini Hexagonal Bolt M8*25	2	2	2	2	2	2	2	2	2	
84	83-1613-907-00	Label, Caution for Hand and Leg	4	4	4	4	4	4	4	4	4	*6)
	83-1613-907-10	Label, Caution for Hand and Leg					4	4	4	4	4	*7)
85	83-1415-912-00	Label, Caution for Hitting Object	1	1	1	1	1	1	1	1	1	*6)
86	83-1415-913-00	Label, Eye Guard	1	1	1	1	1	1	1	1	1	*6)
87	80-1484-A47-00	Label, Caution(large)	1	1	1	1	1	1	1	1	1	*6)
	0223-76100	Label, Caution(large)					1	1	1	1	1	*7)
88	0211-60500	Front Bumper					1	1				*5)
	0204-61200	Front Bumper								1	1	*5)
89	89-1253-080202	Mini Flange Bolt(8T) M8*20					4	4	4	4	4	*5)
90	89-1543-080002	Mini Hexagonal Nut (SW) M8					4	4	4	4	4	*5)
91	83-1050-901-00	Label, OREC	1	1	1	1	1	1	1	1	1	
92	80-1488-928-10	Label, Caution for Pinching					1	1	1	1	1	*7)

M E M O

Remark 1 : Supplied Parts 83-1415-453-10 . 83-1445-965-10 (1 set)

Remark 2 : Supplied Parts 83-1415-453-10 . 83-1110-965-10 (1 set)

*1) : Interchangeable

*2) : Serial Number HR661A : ~YD00M00502 HR801A : ~YG00M00030

*3) : Serial Number HR661A : YD01A00503~ HR801A : YG01A00031~

*4) : Serial Number HR661A : ~YD01D00075 HR801A : ~YG01E00032

*5) : Serial Number HR661A : YD01K00076~ HR801A : YG01M00034~

*6) : Serial Number HR661A : ~YD03G00104 HR801A : ~YG03G00024

*7) : Serial Number HR661A : YD03K00105~ HR801A : YG03J00025~

*8) : Serial Number HR661A : YD004M00409~ HR801A : YG05C00001~

*9) : Serial Number HR661A : ~YD05A00482 HR801A : ~YG04L00034

*10) : Serial Number HR661A : YD05B00001~ HR801A : YG05C00001~

This catalog covers:
FE250D—□G80

GRID NO.
A-01

This grid covers:

PARTS CATALOG

4—STROKE ENGINE

FE250D

PRODUCT CODE	NOTE
FE250D-AG80	HAMMER KNIFE ROTARY (HR661)

P/N 99911-B119-01



This catalog covers:

GRID NO.

A-2

This grid covers:

Parts Catalog Introduction

PARTS CATALOG INTRODUCTION

This parts catalog lists parts and sub-assemblies provided as service parts. When it becomes necessary to replace parts, always use KAWASAKI GENUINE PARTS which have passed strict inspection which guarantees quality and performance.

1. HOW TO ORDER PARTS

1) When ordering the parts, be sure to use the parts catalog corresponding to the product code. Check the product revision codes on the product and the catalog.

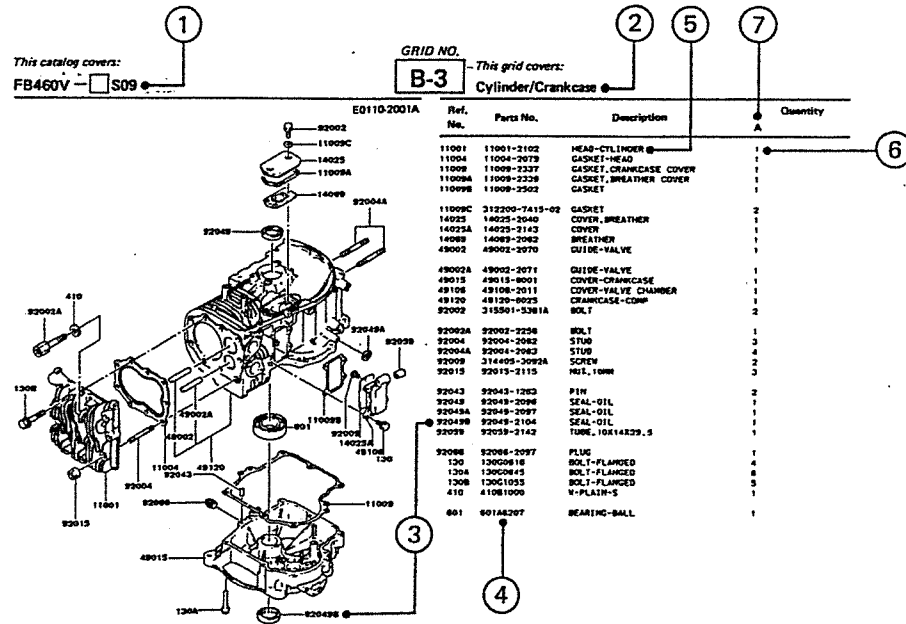
Product Code (example) : FA130D-AA00

Product Revision Code

2) Specify the part code (all digits) exactly as listed in this catalog on your parts order.

3) The parts not shown in the illustrations of this catalog are not sold separately; only the complete units or next higher assemblies illustrated are supplied as the service parts.

2. EXPLANATION OF PARTS CATALOG FORMAT

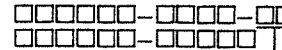


4) Part Number

This is the key of your parts ordering.

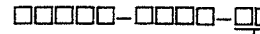
Three kinds of part number are used in this catalog.

a. Structure 1



Part Revision Code

b. Structure 2



Color Code for Painted Part

c. Standard Hardware Number

(for bolts, nuts, washer, or the like)



Size Code

Material and Surface Treatment Code

Item Code

5) Description and Additional Information

The part name, the location, the size, and the serial number as additional information, etc. are described here. Use them to find out and check the part required.

When a part number is changed without change of the product revision code and the changed parts are not interchangeable, the serial number of the product is noted as follows:

(FA130-100001): Affected units are from beginning of the product of the product code up to and including this serial number.

(FA130-100002 -): Affected units are from this serial number and above.

(FA130-100002 - FA130-110001): Affected units are in this serial number range.

6) Quantity

The figure shows quantity of the part required at the indicated position on the illustration and for the specified product revision code.

The asterisk (*) on this column means the part can be used as the substitute on the product and is supplied until the stock is exhausted.

Note: Some small parts will be supplied by units.

Example: If six (6) bolts are ordered and the minimum quantity per unit is five (5), two (2) units of the bolt will be delivered.

7) Product Revision Code

This code indicates an important change which affects the service parts interchangeability.

3. ABBREVIATIONS

#	Number	FR	Front	RH	Right Hand
&	And	G	Gram	RPM	Revolutions Per Minute
(+)	Plus	HEX	Hexagonal	RR	Rear
(-)	Minus	ID=	Inside Diameter	STD	Standard
2ND	Second	IN	Inch	T	Teeth
3RD	Third	L=	Length	T=	Thickness
4TH	Fourth	LH	Left Hand	U/S	Under Size
A	Ampere	LWR	Lower	UPP	Upper
AR	As Required	MM	Millimeter	V	Volt
ASSY	Assembly	O/S	Over Size	W	Watt
CNT	Center	OD=	Outside Diameter		
COMP	Complete	REF	Reference		

1) Product Code

This code describes the product code covered by this catalog. The product revision code, which is a part of the product code, is omitted.

2) Part Group Title

This title is the representative name for the group of parts illustrated on the page.

3) Reference Number

The reference numbers are shown on the illustration and the list as the link between them.

This catalog covers:

FE250D- □ G80

This fig. cover.

PART NAME INDEX

AIR-FILTER/MUFFLER.....	09
CARBURETOR.....	08
CONTROL-EQUIPMENT.....	07
COOLING-EQUIPMENT.....	05
CYLINDER/CRANKCASE.....	01
ELECTRIC-EQUIPMENT.....	06
FUEL-TANK/FUEL-VALVE.....	10
LABEL.....	12
LUBRICATION-EQUIPMENT.....	04
PISTON/CRANKSHAFT.....	02
STARTER.....	11
VALVE/CAMSHAFT.....	03

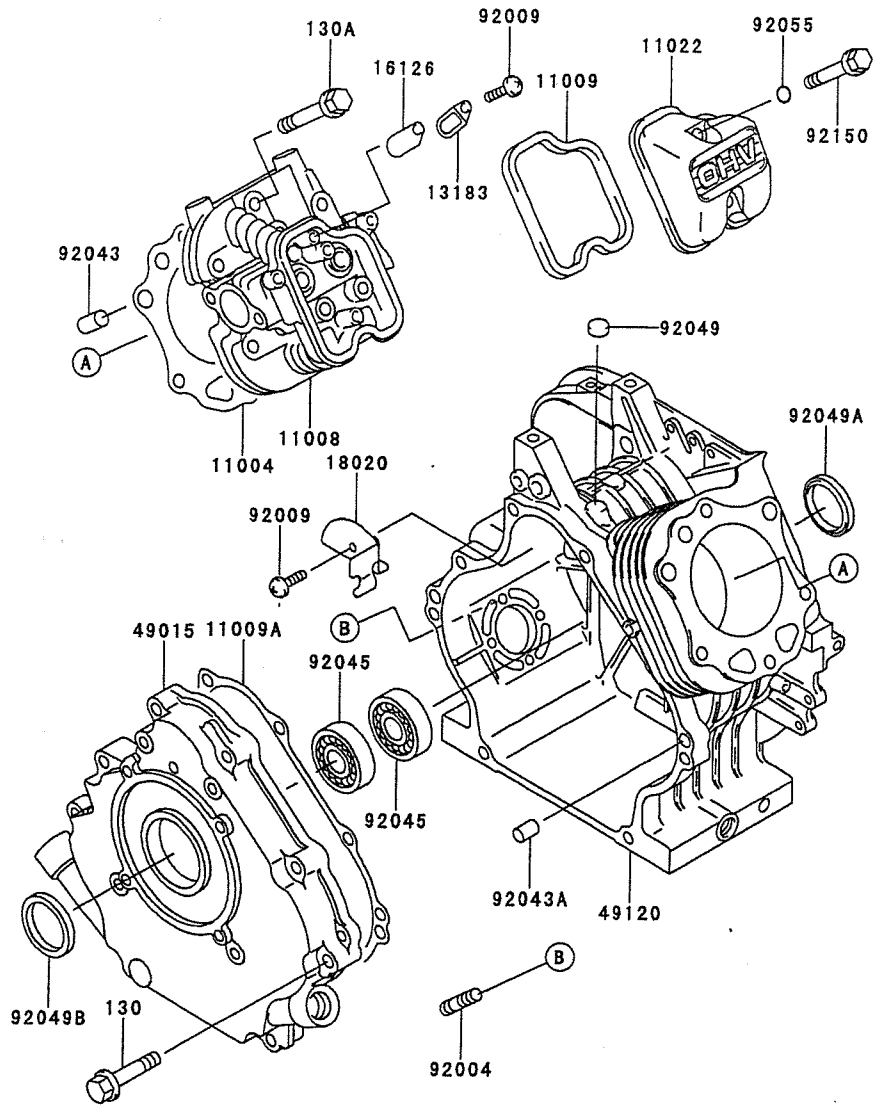
This catalog covers:

FE250D- □ G80

This fig. covers:

01 CYLINDER/CRANKCASE

E0110-A025A



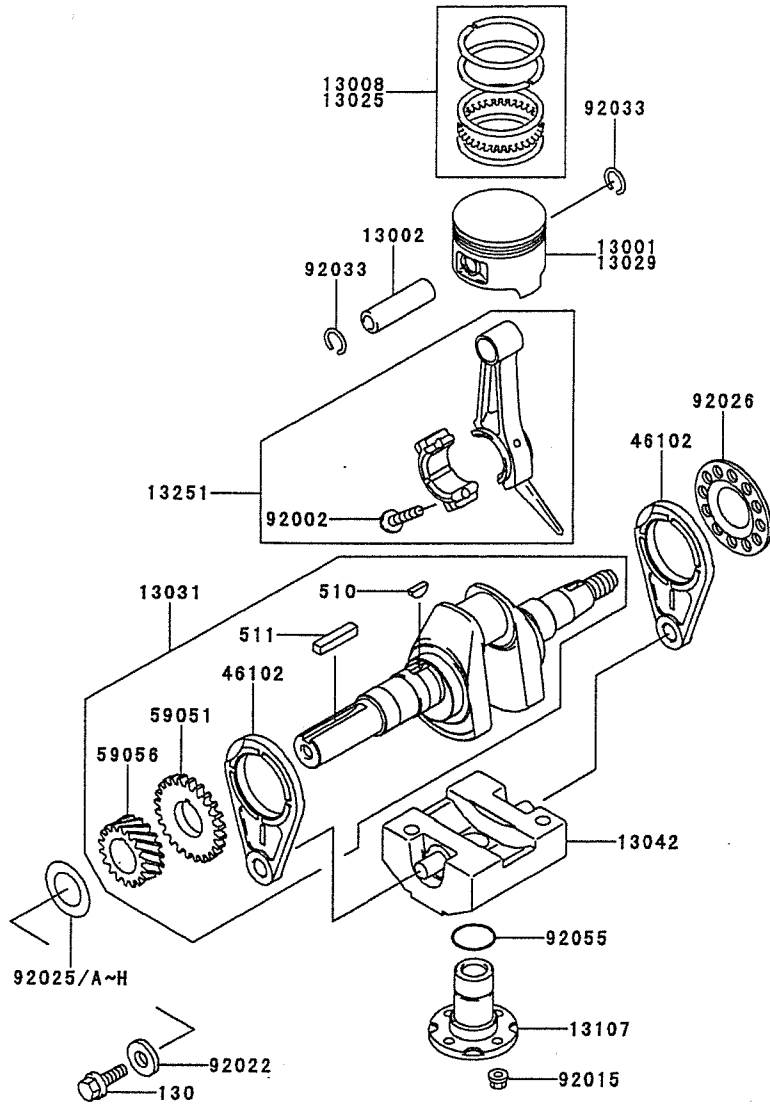
Ref. No.	Part No.	Description	Quantity
			A
11004	11004-2106	GASKET-HEAD	1
11008	11008-2086	HEAD-COMP-CYLINDER	1
11009	11009-2923	GASKET,ROCKER CASE	1
11009A	11009-2924	GASKET,CRANKCASE COVER	1
11022	11022-6002	CASE-ROCKER	1
13183	13183-2299	PLATE	1
16126	16126-2107	VALVE	1
18020	18020-2073	BAFFLE	1
49015	49015-6135	COVER-CRANKCASE	1
49120	49120-2224	CRANKCASE-COMP	1
92004	92004-2083	STUD,6X14	4
92009	92009-2308	SCREW	2
92043	92043-1037	PIN	2
92043A	92043-1263	PIN	2
92045	92045-2188	BEARING-BALL,6206CM	2
92049	92049-2097	SEAL-OIL	1
92049A	92049-2199	SEAL-OIL	1
92049B	92049-2220	SEAL-OIL	1
92055	92055-1343	RING-O	2
92150	92150-2145	BOLT,6X35	2
130	130G0840	BOLT-FLANGED	8
130A	130T0845	BOLT-FLANGED	6

This catalog covers:
FE250D- □ G80

02 PISTON/CRANKSHAFT

This fig. covers:

E0120-A145A



Ref. No.	Part No.	Description	Quantity
		A	
13001	13001-2128	PISTON-ENGINE	1
13002	13002-2077	PIN-PISTON	1
13008	13008-2055	RING-SET-PISTON	1
13025	13025-2097	RING-SET-PISTON L,0.5	AR
13029	13029-2117	PISTON-ENGINE L,0.5	AR
13031	13031-2056	CRANKSHAFT-COMP	1
13042	13042-6012	WEIGHT	1
13107	13107-2088	SHAFT	1
13251	13251-6038	ROD-ASSY-CONNECTING	1
46102	46102-2075	ROD	2
59051	59051-2097	GEAR-SPUR	1
59056	59056-2995	GEAR-HELICAL	1
92002	92002-2053	BOLT	2
92015	92015-1193	NUT	4
92022	92022-2116	WASHER	1
92025	92025-2168	SHIM,T=1.13	AR
92025A	92025-2169	SHIM,T=1.18	AR
92025B	92025-2170	SHIM,T=1.23	AR
92025C	92025-2171	SHIM,T=1.28	AR
92025D	92025-2172	SHIM,T=1.33	AR
92025E	92025-2173	SHIM,T=1.38	AR
92025F	92025-2174	SHIM,T=1.43	AR
92025G	92025-2175	SHIM,T=1.48	AR
92025H	92025-2207	SHIM,T=1.53	AR
92026	92026-2052	SPACER	1
92033	92033-1099	RING-SNAP	2
92055	92055-2072	RING-O	1
130	130G0825	BOLT-FLANGED	1
510	510A5100	KEY-WOODRUFF	1
511	511A0735	KEY-SUNK	1

This catalog covers:

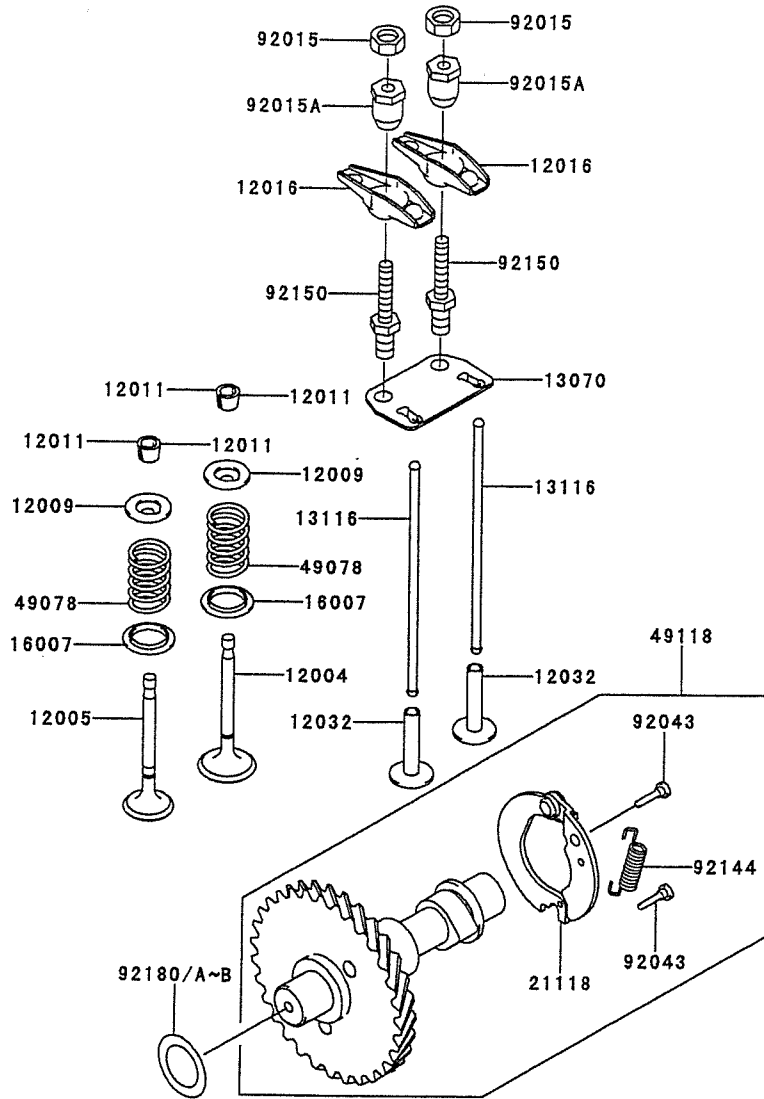
FE250D- □ G80

03

This fig. covers:

VALVE/CAMSHAFT

E0130-A011A



Ref. No.	Part No.	Description	Quantity
12004	12004-2093	VALVE-INTAKE	1
12005	12005-2081	VALVE-EXHAUST	1
12009	12009-2066	RETAINER-VALVE SPRING	2
12011	12011-2056	COLLET	4
12016	12016-2060	ARM-ROCKER	2
12032	12032-2060	TAPPET	2
13070	13070-2086	GUIDE	1
13116	13116-2071	ROD-PUSH	2
16007	16007-2072	SEAT-SPRING	2
21118	21118-2087	DECOMPRESSOR	1
49078	49078-2067	SPRING-ENGINE VALVE	2
49118	49118-2108	CAMSHAFT-COMP	1
92015	92015-2240	NUT	2
92015A	92015-2253	NUT	2
92043	92043-2113	PIN	2
92144	92144-2323	SPRING	1
92150	92150-2198	BOLT	2
92180	92180-2010	SHIM,T=0.3	AR
92180A	92180-2011	SHIM,T=0.4	AR
92180B	92180-2012	SHIM,T=0.5	AR

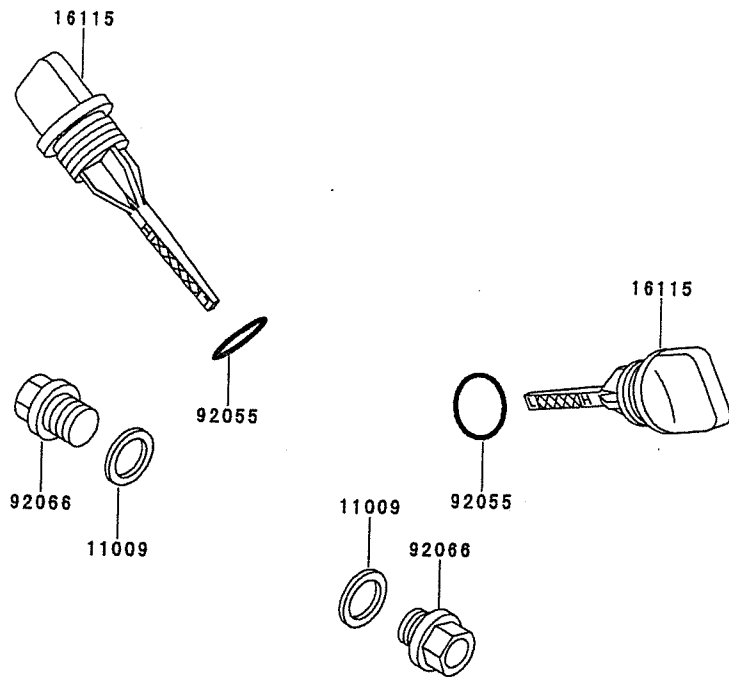
This catalog covers:
FE250D- □ G80

04

This fig. covers:
LUBRICATION-EQUIPMENT

E0140-A007A

Ref. No.	Part No.	Description	Quantity
11009	11009-2175	GASKET	2
16115	16115-2079	CAP-OIL FILLER	2
92055	92055-2185	RING-O,20MM	2
92066	92066-2203	PLUG,DRAIN	2



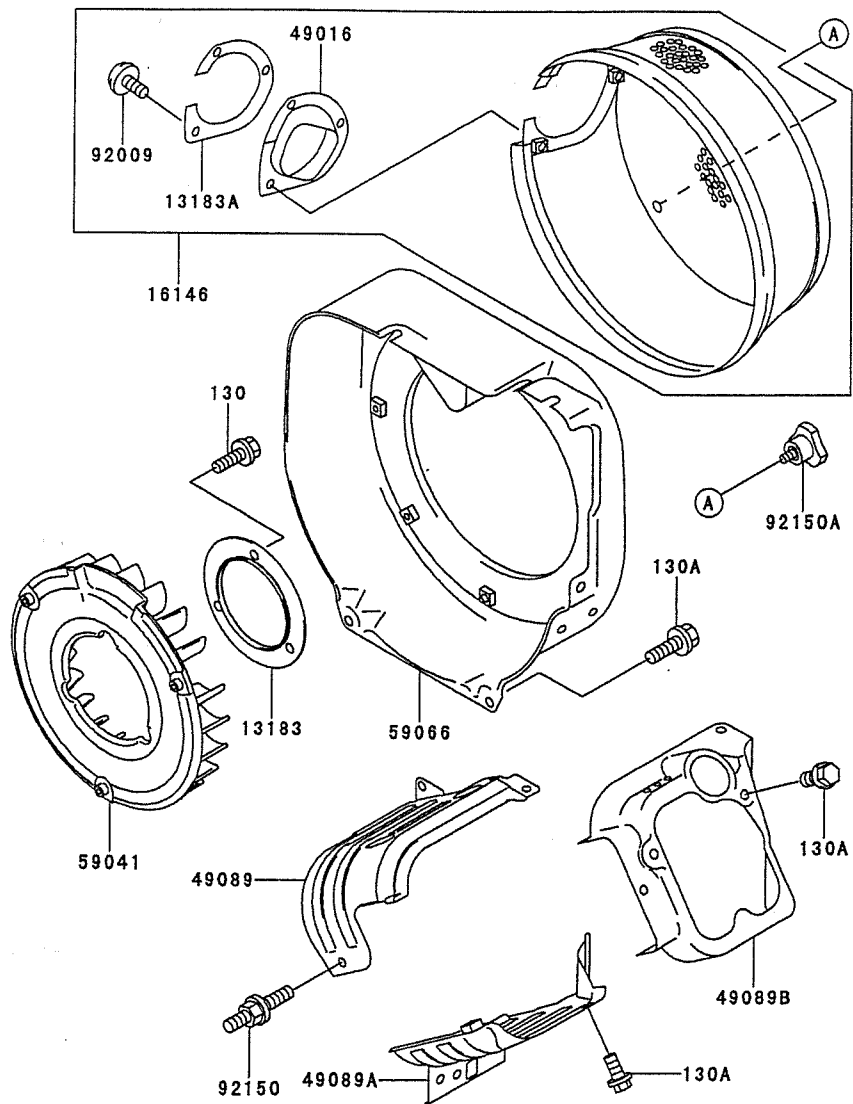
This catalog covers:

FE250D- □ G80

This fig. covers:

05 COOLING-EQUIPMENT

E0150-A285A



Ref. No.	Part No.	Description	Quantity
13183	13183-2407	PLATE	1
13183A	13183-2483	PLATE	1
16146	16146-2193	COVER-ASSY	1
49016	49016-2082	COVER-SEAL	1
49089	49089-2328-9H	SHROUD-ENGINE	1
49089A	49089-2354-9H	SHROUD-ENGINE	1
49089B	49089-2360-9H	SHROUD-ENGINE	1
59041	59041-2072	FAN	1
59066	59066-2721-9H	HOUSING-FAN	1
92009	92009-2243	SCREW,5X10	3
92150	92150-2197	BOLT	1
92150A	92150-2264	BOLT	4
130	130G0610	BOLT-FLANGED	3
130A	130G0612	BOLT-FLANGED	11

This catalog covers:

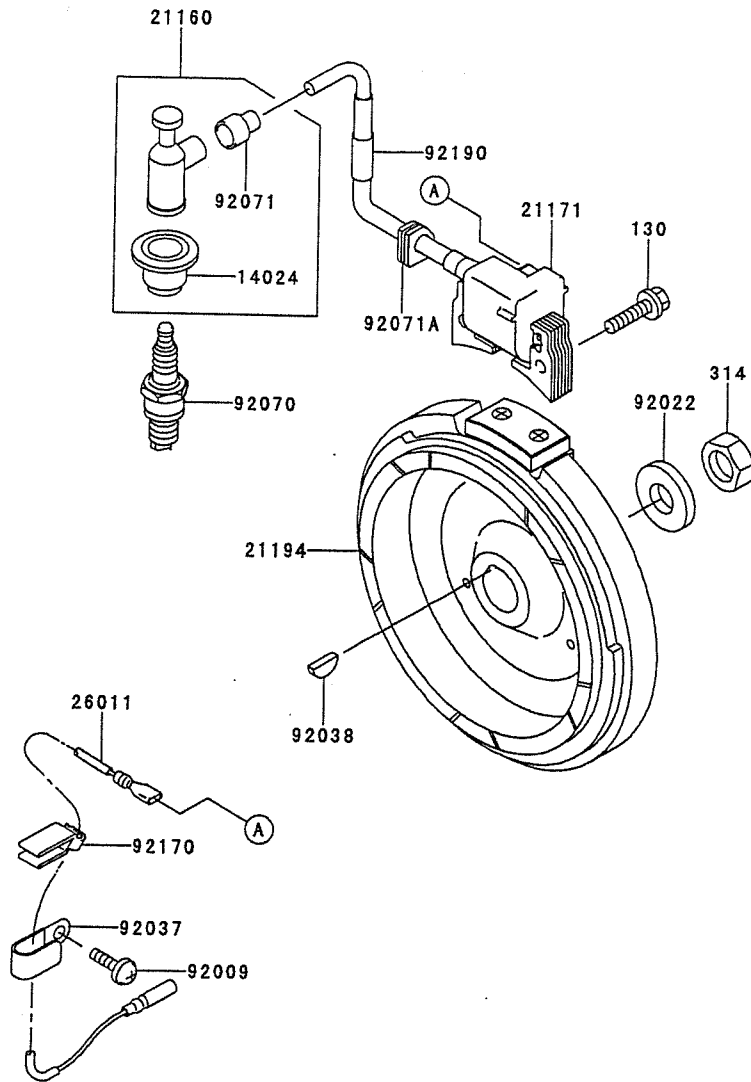
FE250D- □ G80

06

This fig. covers:

ELECTRIC-EQUIPMENT

E0160-A568A

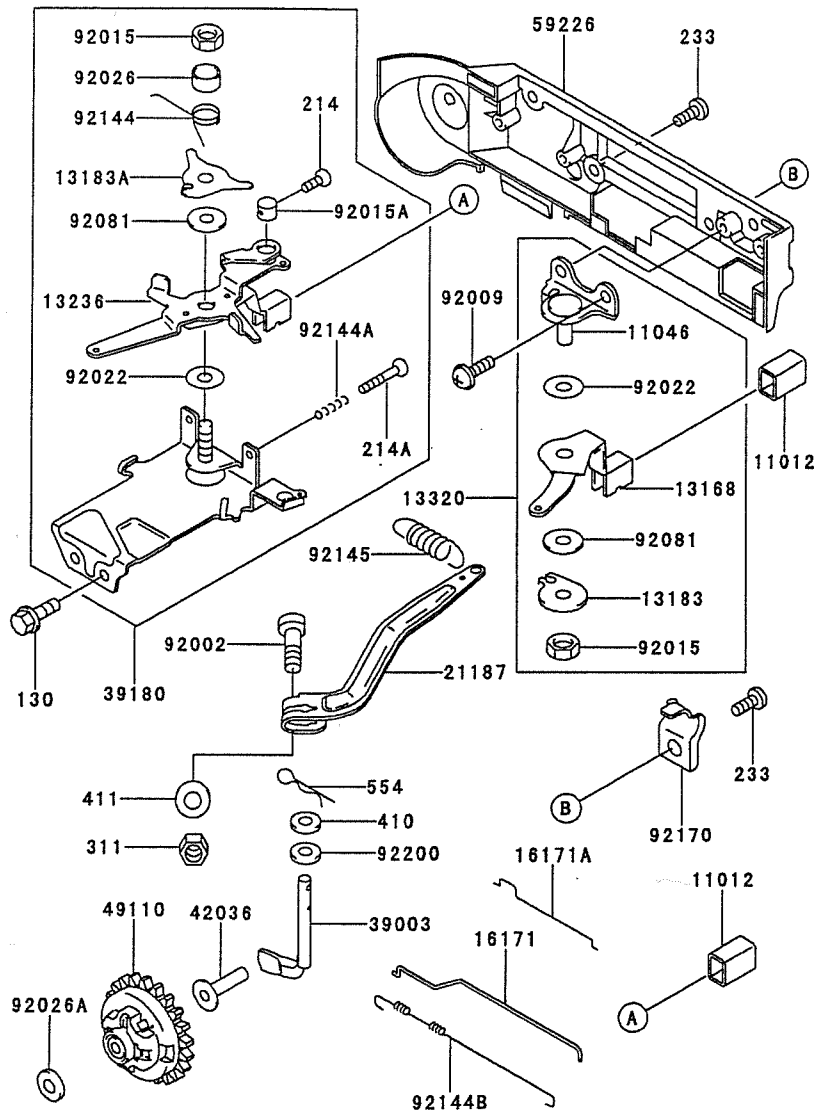


Ref. No.	Part No.	Description	Quantity
14024	14024-2234	COVER	1
21160	21160-2051	CAP-ASSY-PLUG	1
21171	21171-2206	COIL-ASSY-IGNITION	1
21194	21194-2241	FLYWHEEL-COMP	1
26011	26011-2334	WIRE-LEAD,L=350	1
92009	92009-2308	SCREW	1
92022	92022-2205	WASHER	1
92037	92037-2171	CLAMP	1
92038	92038-2094	KEY	1
92070	92070-2077	PLUG-SPARK,BPR5ES(NGK),SOLID	1
92071	92071-2008	GROMMET	1
92071A	92071-2112	GROMMET	1
92170	92170-2017	CLAMP	1
92190	92190-2069	TUBE,7.5X10X35	1
130	130B0525	BOLT-FLANGED	2
314	314G1600	NUT-HEX-FINE	1

This catalog covers:
FE250D- □ G80

This fig. covers:
07 CONTROL-EQUIPMENT

E0170-A155C



Ref. No.	Part No.	Description	Quantity
		A	
11012	11012-2282	CAP	2
11046	11046-2143	BRACKET	1
13168	13168-2314	LEVER	1
13183	13183-2334	PLATE	1
13183A	13183-2343	PLATE	1
13236	13236-2116	LEVER-COMP	1
13320	13320-2021	LEVER-ASSY	1
16171	16171-2063	LINK	1
16171A	16171-2064	LINK	1
21187	21187-2061	ARM-ASSY	1
39003	39003-2076	ARM-PIVOT	1
39180	39180-2643	PANEL-ASSY-CONTROL	1
42036	42036-2060	SLEEVE	1
49110	49110-2069	GOVERNOR-ASSY	1
59226	59226-2229	PANEL-CONTROL	1
92002	92002-2269	BOLT	1
92009	92009-2203	SCREW	2
92015	92015-2051	NUT	2
92015A	92015-2120	NUT	1
92022	92022-2103	WASHER	2
92026	92026-2304	SPACER	1
92026A	92200-2036	SPACER	1
92081	92081-2104	SPRING	2
92144	92144-2257	SPRING	1
92144A	92144-2266	SPRING	2
92144B	92144-2279	SPRING	1
92145	92145-2054	SPRING	1
92170	92170-2035	CLAMP	1
92200	92200-2029	WASHER,6.5X11.5X2.0	1
130	130G0612	BOLT-FLANGED	2
214	214B0408	SCREW-PAN+-	1
214A	214B0422	SCREW-PAN+-	2
233	233C0514	SCREW-PAN-WP+-	4
311	311B0600	NUT-HEX	1
410	410B0600	W-PLAIN-S	1
411	411B0600	WASHER-PLAIN	1
554	554A0600	PIN-SNAP	1

This catalog covers:

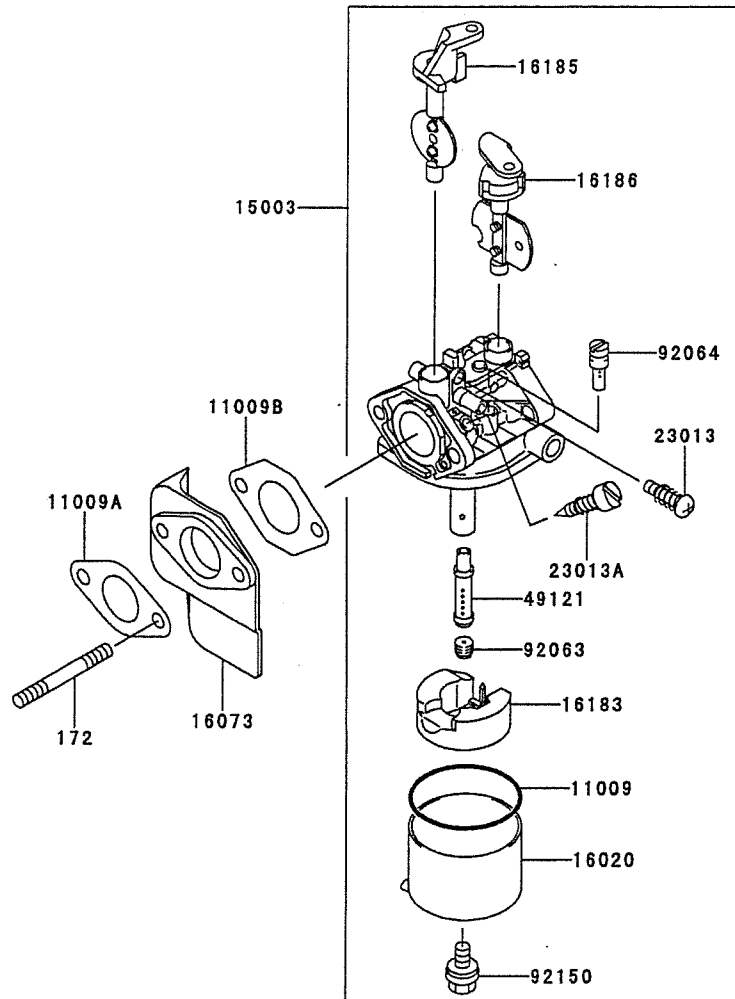
FE250D- □ G80

08

This fig. covers:

CARBURETOR

E0180-A346A



Ref. No.	Part No.	Description	Quantity
11009	11009-2919	GASKET	1
11009A	11009-2927	GASKET,INSULATOR	1
11009B	11009-2928	GASKET,CARBURETOR	1
15003	15003-2152	CARBURETOR-ASSY.	1
16020	16020-2123	CHAMBER-FLOAT	1
16073	16073-2150	INSULATOR	1
16183	16183-2005	FLOAT-ASSY	1
16185	16185-2003	VALVE-ASSY-THROTTLE	1
16186	16186-2002	VALVE-ASSY-CHOKE	1
23013	23013-2054	SCREW-ASSY	1
23013A	23013-2055	SCREW-ASSY	1
49121	49121-2156	NOZZLE-MAIN	1
92063	92063-2209	JET-MAIN,#85	1
92064	92064-2082	JET-PILOT,#42	1
92150	92150-2209	BOLT	1
172	172G0677	BOLT-STUD	2

This catalog covers:

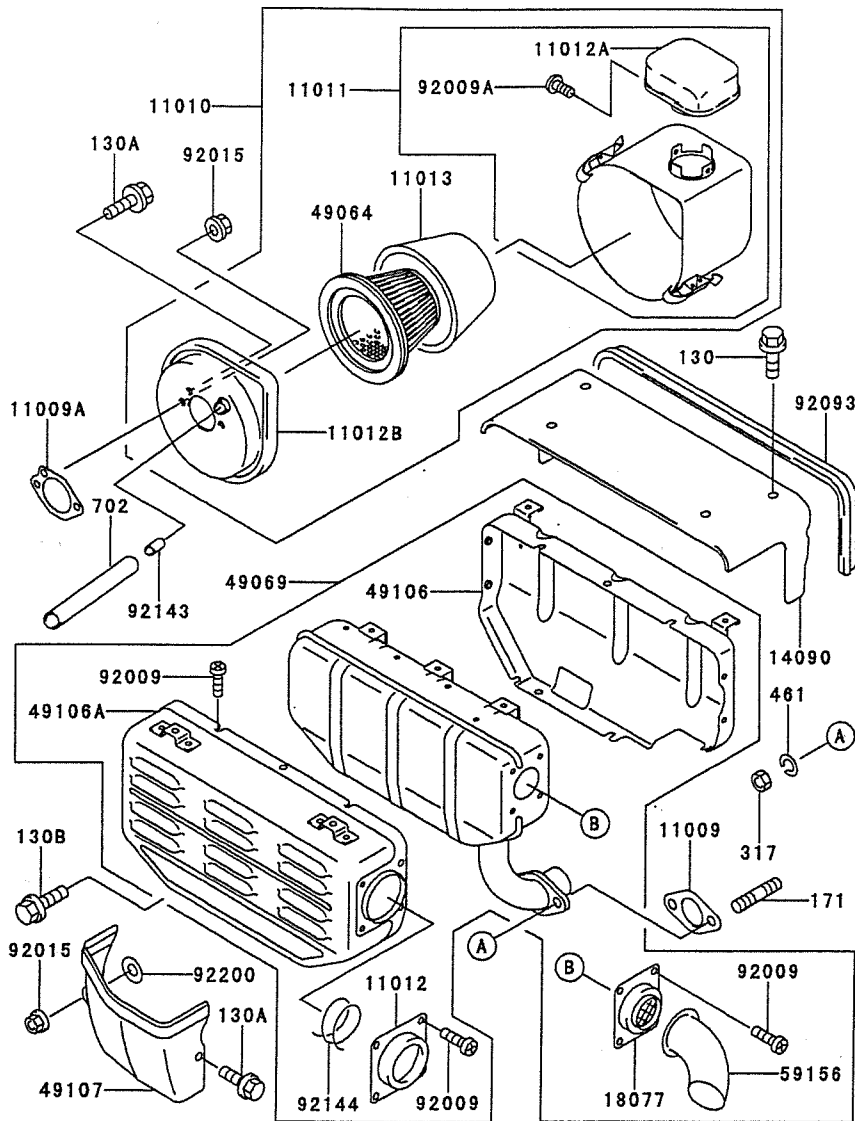
FE250D- □ G80

09

This fig. covers:

AIR-FILTER/MUFFLER

E0190-A311A



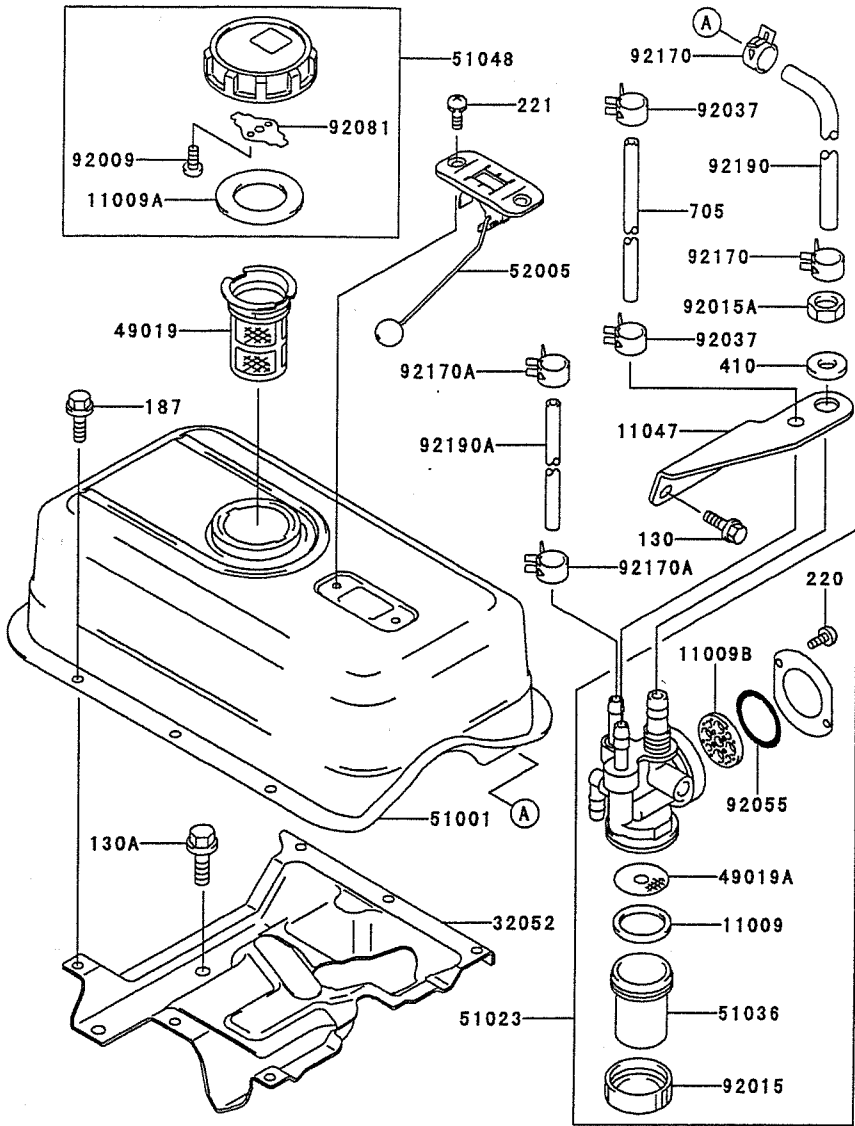
Ref. No.	Part No.	Description	Quantity
11009	11009-2487	GASKET,MUFFLER	1
11009A	11009-2925	GASKET,AIR FILTER	1
11010	11010-2474-9H	FILTER-ASSY-AIR	1
11011	11011-2247-9H	CASE-AIR FILTER	1
11012	11012-2322-9X	CAP	1
11012A	11012-2357	CAP,AIR FILTER	1
11012B	11012-2358	CAP,AIR FILTER	1
11013	11013-2159	ELEMENT-AIR FILTER	1
14090	14090-2019-ZN	COVER	1
18077	18077-2094	ARRESTER-SPARK	1
49064	49064-2077	FILTER-AIR	1
49069	49069-2230	MUFFLER-ASSY	1
49106	49106-2514-9X	COVER-MUFFLER	1
49106A	49106-2549-9X	COVER-MUFFLER	1
49107	49107-2129-ZN	COVER-EXHAUST PIPE	1
59156	59156-2230-9Y	PIPE-TAIL	1
92009	92009-2322	SCREW	15
92009A	92009-2388	SCREW	2
92015	92015-1193	NUT	3
92093	92093-2094	SEAL	1
92143	92143-2207	COLLAR,6.0X8.0X25	1
92144	92144-2262	SPRING	1
92200	92200-2070	WASHER	1
130	130B0508	BOLT-FLANGED	4
130A	130G0612	BOLT-FLANGED	3
130B	130G0816	BOLT-FLANGED	1
171	171G0820	BOLT-STUD	2
317	317R0800	NUT-HEX-SMALL	2
461	461F0800	WASHER-SPRING	2
702	702A081000	TUBE-RUBBER	1

This catalog covers:
FE250D- □ G80

10

This fig. covers:
FUEL-TANK/FUEL-VALVE

E0200-A006C



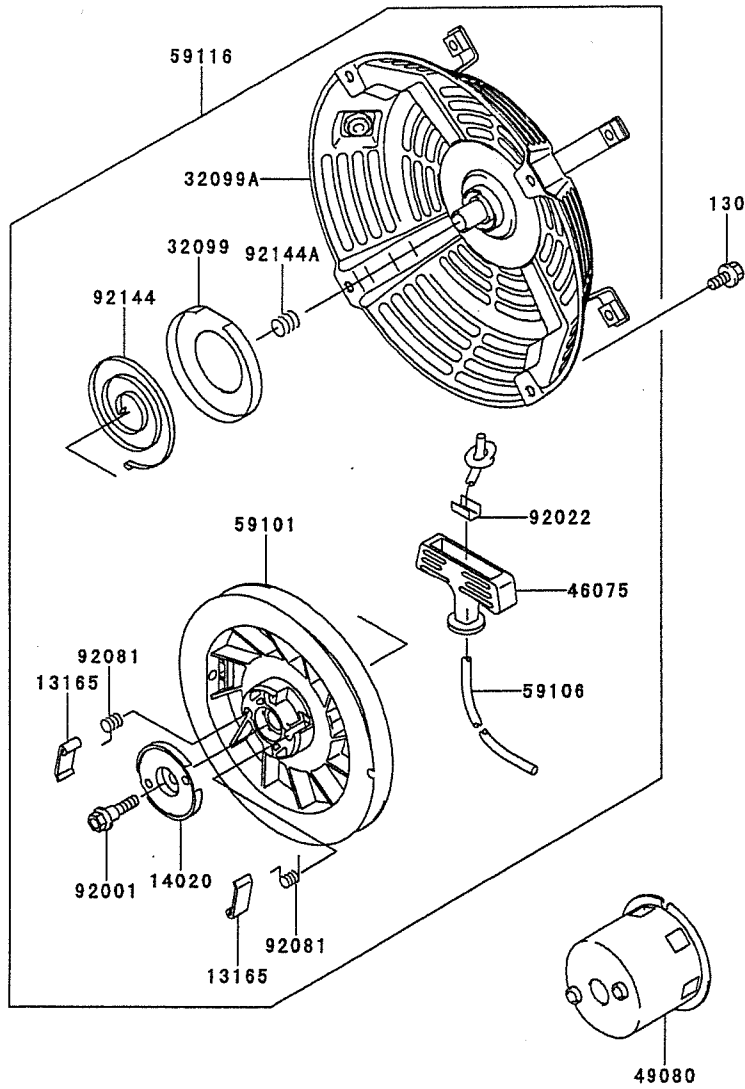
Ref. No.	Part No.	Description	Quantity
			A
11009	11009-2021	GASKET	1
11009A	11009-2115	GASKET	1
11009B	11009-2847	GASKET	1
11047	11047-2065	BRACKET	1
32052	32052-2201-9H	BRACKET-TANK	1
49019	49019-2051	FILTER-FUEL	1
49019A	49019-2095	FILTER-FUEL	1
51001	51001-2241-9H	TANK-COMP-FUEL	1
51023	51023-2151	TAP-ASSY	1
51036	51036-2066	CUP,FUEL TAP	1
51048	51048-2055	CAP-ASSY-TANK	1
52005	52005-2100	GAUGE	1
92009	92009-2021	SCREW	2
92015	92015-2007	NUT	1
92015A	92015-2317	NUT	1
92037	92037-2001	CLAMP	2
92055	92055-2153	RING-O	1
92081	92081-2036	SPRING	1
92170	92170-2082	CLAMP	2
92170A	92170-2084	CLAMP	2
92190	92190-2082	TUBE,7X12X220	1
92190A	92190-2083	TUBE,3.5X7.9X120	1
130	130G0612	BOLT-FLANGED	2
130A	130G0816	BOLT-FLANGED	4
187	187J0612	BOLT-UPSET-WSP	6
220	220B0308	SCREW-PAN-CROS	2
221	221C0512	SCREW-CSK-CROS	2
410	410B1000	W-PLAIN-S	1
705	705A041000	TUBE-BRAID	1

This catalog covers:
FE250D- □ G80

11

This fig. covers:
STARTER

E0210-A198A



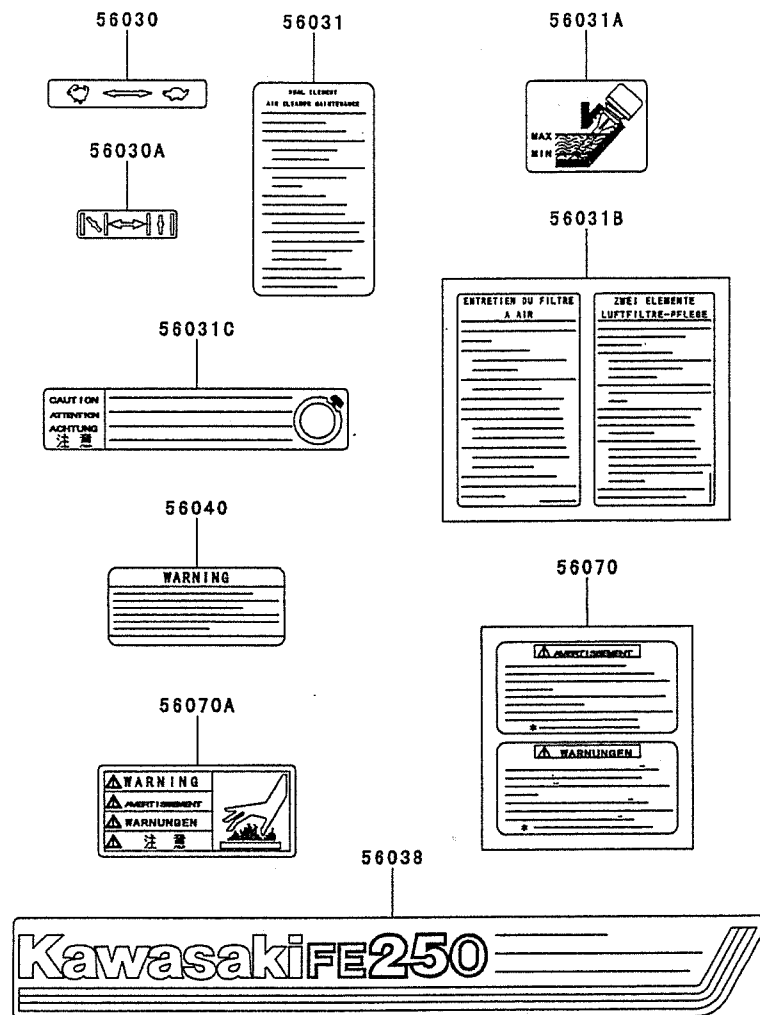
Ref. No.	Part No.	Description	Quantity
13165	13165-2073	PAWL,RECOIL STARTER	2
14020	14020-2094	RETAINER,RECOIL STARTER	1
32099	32099-2193	CASE,SPRING	1
32099A	32099-2355-YK	CASE,RECOIL STARTER	1
46075	46075-2092	GRIP,RECOIL STARTER	1
49080	49080-2162	PULLEY-STARTING	1
59101	59101-2092	REEL,RECOIL STARTER	1
59106	59106-2099	ROPE,4.5X1550	1
59116	59116-2344-YK	STARTER-ASSY-RECOIL	1
92001	92001-2027	BOLT	1
92022	92022-2248	WASHER	1
92081	92081-2021	SPRING	2
92144	92144-2055	SPRING,RECOIL	1
92144A	92144-2212	SPRING	1
130	130G0612	BOLT-FLANGED	4

This catalog covers:
FE250D- □ G80

12

This fig. covers:
LABEL

F0290-A641A



Ref. No.	Part No.	Description	Quantity
56030	56030-2385	LABEL, THROTTLE	1
56030A	56030-2386	LABEL, CHOKE	1
56031	56031-2387	LABEL-MANUAL	1
56031A	56031-2458	LABEL-MANUAL	1
56031B	56031-2461	LABEL-MANUAL	1
56031C	56031-2465	LABEL-MANUAL	1
56038	56038-2730	LABEL-BRAND	1
56040	56040-2188	LABEL-WARNING	1
56070	56070-2003	LABEL-WARNING	1
56070A	56070-2010	LABEL-WARNING	1

This catalog covers:

FE250D- □ G80

This fig. covers

NUMERICAL PARTS INDEX

Part No.	Fig No.	Part No.	Fig No.	Part No.	Fig No.	Part No.	Fig No.	Part No.	Fig No.
11004-2106.....	01	13251-6038.....	02	49089-2360-9H.....	05	92025-2168.....	02	92200-2029.....	07
11008-2086.....	01	13320-2021.....	07	49106-2514-9X.....	09	92025-2169.....	02	92200-2036.....	07
11009-2021.....	10	14020-2094.....	11	49106-2549-9X.....	09	92025-2170.....	02	92200-2070.....	09
11009-2115.....	10	14024-2234.....	06	49107-2129-ZN.....	09	92025-2171.....	02		
11009-2175.....	04	14090-2019-ZN.....	09	49110-2069.....	07	92025-2172.....	02		
11009-2487.....	09	15003-2152.....	08	49118-2108.....	03	92025-2173.....	02		
11009-2847.....	10	16007-2072.....	03	49120-2224.....	01	92025-2174.....	02		
11009-2919.....	08	16020-2123.....	08	49121-2156.....	08	92025-2175.....	02		
11009-2923.....	01	16073-2150.....	08	51001-2241-9H.....	10	92025-2207.....	02		
11009-2924.....	01	16115-2079.....	04	51023-2151.....	10	92026-2052.....	02		
11009-2925.....	09	16126-2107.....	01	51036-2066.....	10	92026-2304.....	07		
11009-2927.....	08	16146-2193.....	05	51048-2055.....	10	92033-1099.....	02		
11009-2928.....	08	16171-2063.....	07	510A5100.....	02	92037-2001.....	10		
11010-2474-9H.....	09	16171-2064.....	07	511A0735.....	02	92037-2171.....	06		
11011-2247-9H.....	09	16183-2005.....	08	52005-2100.....	10	92038-2094.....	06		
11012-2282.....	07	16185-2003.....	08	554A0600.....	07	92043-1037.....	01		
11012-2322-9X.....	09	16186-2002.....	08	56030-2385.....	12	92043-1263.....	01		
11012-2357.....	09	171G0820.....	09	56030-2386.....	12	92043-2113.....	03		
11012-2358.....	09	172G0677.....	08	56031-2387.....	12	92045-2188.....	01		
11013-2159.....	09	18020-2073.....	01	56031-2458.....	12	92049-2097.....	01		
11022-6002.....	01	18077-2094.....	09	56031-2461.....	12	92049-2199.....	01		
11046-2143.....	07	187J0612.....	10	56031-2465.....	12	92049-2220.....	01		
11047-2065.....	10	21118-2087.....	03	56038-2730.....	12	92055-1343.....	01		
12004-2093.....	03	21160-2051.....	06	56040-2188.....	12	92055-2072.....	02		
12005-2081.....	03	21171-2206.....	06	56070-2003.....	12	92055-2153.....	10		
12009-2066.....	03	21187-2061.....	07	56070-2010.....	12	92055-2185.....	04		
12011-2056.....	03	21194-2241.....	06	59041-2072.....	05	92063-2209.....	08		
12016-2060.....	03	214B0408.....	07	59051-2097.....	02	92064-2082.....	08		
12032-2060.....	03	214B0422.....	07	59056-2995.....	02	92066-2203.....	04		
13001-2128.....	02	220B0308.....	10	59066-2721-9H.....	05	92070-2077.....	06		
13002-2077.....	02	221C0512.....	10	59101-2092.....	11	92071-2008.....	06		
13008-2055.....	02	23013-2054.....	08	59106-2099.....	11	92071-2112.....	06		
13025-2097.....	02	23013-2055.....	08	59116-2344-YK.....	11	92081-2021.....	11		
13029-2117.....	02	233C0514.....	07	59156-2230-9Y.....	09	92081-2036.....	10		
13031-2056.....	02	26011-2334.....	06	59226-2229.....	07	92081-2104.....	07		
13042-6012.....	02	311B0600.....	07	702A081000.....	09	92093-2094.....	09		
13070-2086.....	03	314G1600.....	06	705A041000.....	10	92143-2207.....	09		
130B0508.....	09	317R0800.....	09	92001-2027.....	11	92144-2055.....	11		
130B0525.....	06	32052-2201-9H.....	10	92002-2053.....	02	92144-2212.....	11		
130G0610.....	05	32099-2193.....	11	92002-2269.....	07	92144-2257.....	07		
130G0612.....	05	32099-2355-YK.....	11	92004-2083.....	01	92144-2262.....	09		
130G0612.....	07	39003-2076.....	07	92009-2021.....	10	92144-2266.....	07		
130G0612.....	09	39180-2643.....	07	92009-2203.....	07	92144-2279.....	07		
130G0612.....	10	410B0600.....	07	92009-2243.....	05	92144-2323.....	03		
130G0612.....	11	410B1000.....	10	92009-2308.....	01	92145-2054.....	07		
130G0816.....	09	411B0600.....	07	92009-2308.....	06	92150-2145.....	01		
130G0816.....	10	42036-2060.....	07	92009-2322.....	09	92150-2197.....	05		
130G0825.....	02	46075-2092.....	11	92009-2388.....	09	92150-2198.....	03		
130G0840.....	01	46102-2075.....	02	92015-1193.....	02	92150-2209.....	08		
130T0845.....	01	461F0800.....	09	92015-1193.....	09	92150-2264.....	05		
13107-2088.....	02	49015-6135.....	01	92015-2007.....	10	92170-2017.....	06		
13116-2071.....	03	49016-2082.....	05	92015-2051.....	07	92170-2035.....	07		
13165-2073.....	11	49019-2051.....	10	92015-2120.....	07	92170-2082.....	10		
13168-2314.....	07	49019-2095.....	10	92015-2240.....	03	92170-2084.....	10		
13183-2299.....	01	49064-2077.....	09	92015-2253.....	03	92180-2010.....	03		
13183-2334.....	07	49069-2230.....	09	92015-2317.....	10	92180-2011.....	03		
13183-2343.....	07	49078-2067.....	03	92022-2103.....	07	92180-2012.....	03		
13183-2407.....	05	49080-2162.....	11	92022-2116.....	02	92190-2069.....	06		
13183-2483.....	05	49089-2328-9H.....	05	92022-2205.....	06	92190-2082.....	10		
13236-2116.....	07	49089-2354-9H.....	05	92022-2248.....	11	92190-2083.....	10		

This catalog covers:
FE250D-□G81

This fig. covers:
TITLE

PARTS CATALOG

4-STROKE ENGINE

FE250D

PRODUCT CODE	NOTE
FE250D-AG81	TILLER (GR683)
FE250D-BG81	

This catalog covers:
FE250D-□G81

PARTS CATALOG INTRODUCTION

This parts catalog lists parts and sub-assemblies provided as service parts. When it becomes necessary to replace parts, always use KAWASAKI GENUINE PARTS which have passed strict inspection which guarantees quality and performance.

1. HOW TO ORDER PARTS

- When ordering the parts, be sure to use the parts catalog corresponding to the product code. Check the product revision codes on the product and the catalog.
 Product Code (example) : FA130D-**AA**00
└── Product Revision Code
- Specify the part code (all digits) exactly as listed in this catalog on your parts order.
- The parts not shown in the illustrations of this catalog are not sold separately; only the complete units or next higher assemblies illustrated are supplied as the service parts.

2. EXPLANATION OF PARTS CATALOG FORMAT

Ref. No.	Part No.	Description	Quantity
11005	11005-2107	CYLINDER-ENGINE	1
11060	11060-2402	GASKET-CYLINDER	2
11065	11065-2064	CAP	1
14002	14002-2327	CRANKCASE	1
14002A	14002-2328	CRANKCASE	1
34001	34001-2083	STAND	1
92009	92009-2115	SCREW	3
92043	92043-1302	FIN	2
92045	92045-2005	BEARING-BALL,600C3	2
92040	92040-2074	SEAL-OIL	2
92150	92150-2091	BOLT	4

1) Product Code

This code describes the product code covered by this catalog. The product revision code, which is a part of the product code, is omitted.

2) Part Group Title

This title is the representative name for the group of parts illustrated on the page.

3) Reference Number

The reference numbers are shown on the illustration and the list as the link between them.

This fig. covers:

PARTS LIST INFORMATION

4) Part Number

This is the key of your parts ordering. Three kinds of part number are used in this catalog.

- Structure 1
 □□□□□□-□□□□□□-□□
└── Part Revision Code
- Structure 2
 □□□□□□-□□□□□□-□□
└── Color Code for Painted Part
- Standard Hardware Number
 (for bolts, nuts, washer, or the like)
 □□□□□□□□
└── Size Code
└── Material and Surface Treatment Code
└── Item Code

5) Description and Additional Information

The part name, the location, the size, and the serial number as additional information, etc. are described here. Use them to find out and check the part required.

When a part number is changed without change of the product revision code and the changed parts are not interchangeable, the serial number of the product is noted as follows;

- (FA130 - 100001) : Affected units are from beginning of the product of the product code up to and including this serial number.
- (FA130 - 100002 -) : Affected units are from this serial number and above.
- (FA130 - 100002 - FA130 - 110001) : Affected units are in this serial number range.

6) Quantity

The figure shows quantity of the part required at the indicated position on the illustration and for the specified product revision code.

The asterisk (*) on this column means the part can be used as the substitute on the product and is supplied until the stock is exhausted.

Note:Some small parts will be supplied by units.

Example: If six (6) bolts are ordered and the minimum quantity per unit is five (5), two (2), units of the bolt will be delivered.

7) Product Revision Code

This Code indicates an important change which affects the service parts interchangeability.

3. ABBREVIATIONS

#.....Number	FR.....Front	RH.....Right Hand
&.....And	G.....Gram	RPM.....Revolutions Per Minute
(+).....Plus	HEX.....Hexagonal	RR.....Rear
(-).....Minus	ID=.....Inside Diameter	STD.....Standard
2ND.....Second	IN.....Inch	T.....Teeth
3RD.....Third	L=.....Length	T=.....Thickness
4TH.....Fourth	LH.....Left Hand	U/S.....Under Size
A.....Ampere	LWR.....Lower	UPP.....Upper
AR.....As Required	MM.....Millimeter	V.....Volt
ASSY.....Assembly	O/S.....Over Size	W.....Watt
CNT.....Center	OD=.....Outside Diameter	
COMP.....Complete	REF.....Reference	

This catalog covers:

FE250D- □ G81

This fig. covers:

PART NAME INDEX

AIR-FILTER/MUFFLER.....	09
CARBURETOR.....	08
CONTROL-EQUIPMENT.....	07
COOLING-EQUIPMENT.....	05
CYLINDER/CRANKCASE.....	01
ELECTRIC-EQUIPMENT.....	06
FUEL-TANK/FUEL-VALVE.....	10
LABEL.....	12
LUBRICATION-EQUIPMENT.....	04
PISTON/CRANKSHAFT.....	02
STARTER.....	11
TOOL.....	13
VALVE/CAMSHAFT.....	03

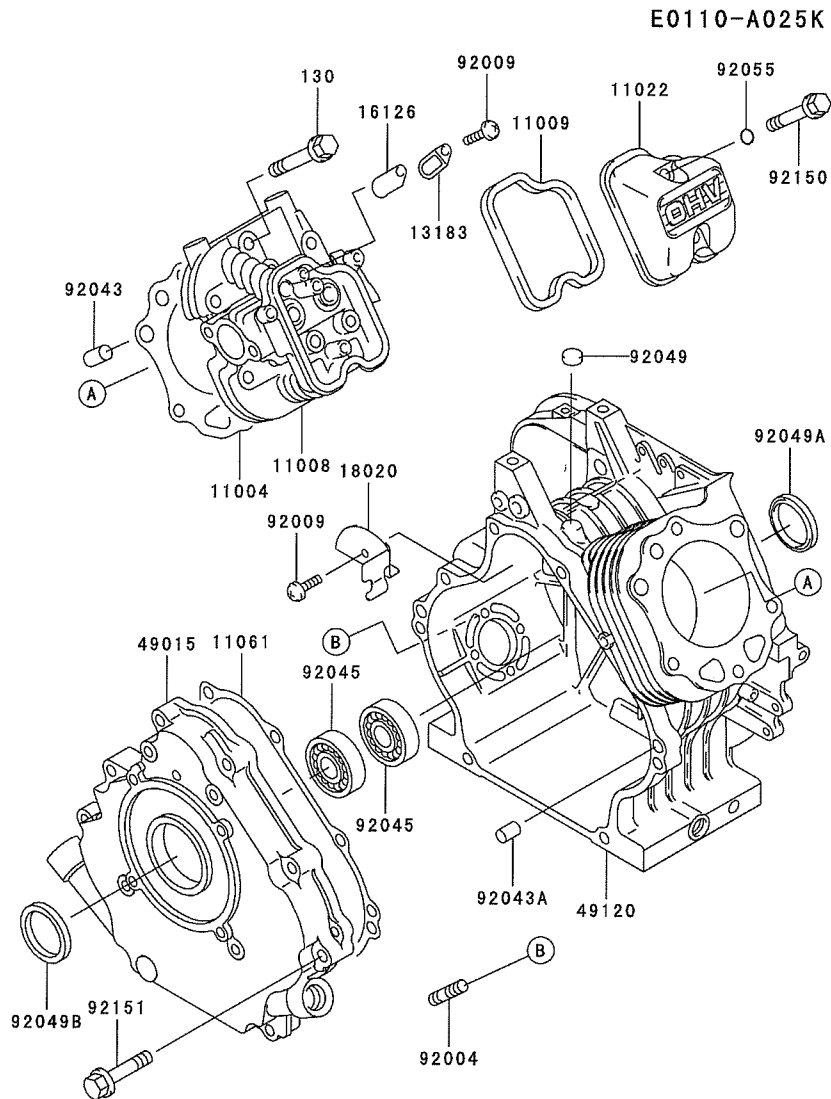
This catalog covers:

FE250D- □ G81

01

This fig. covers:

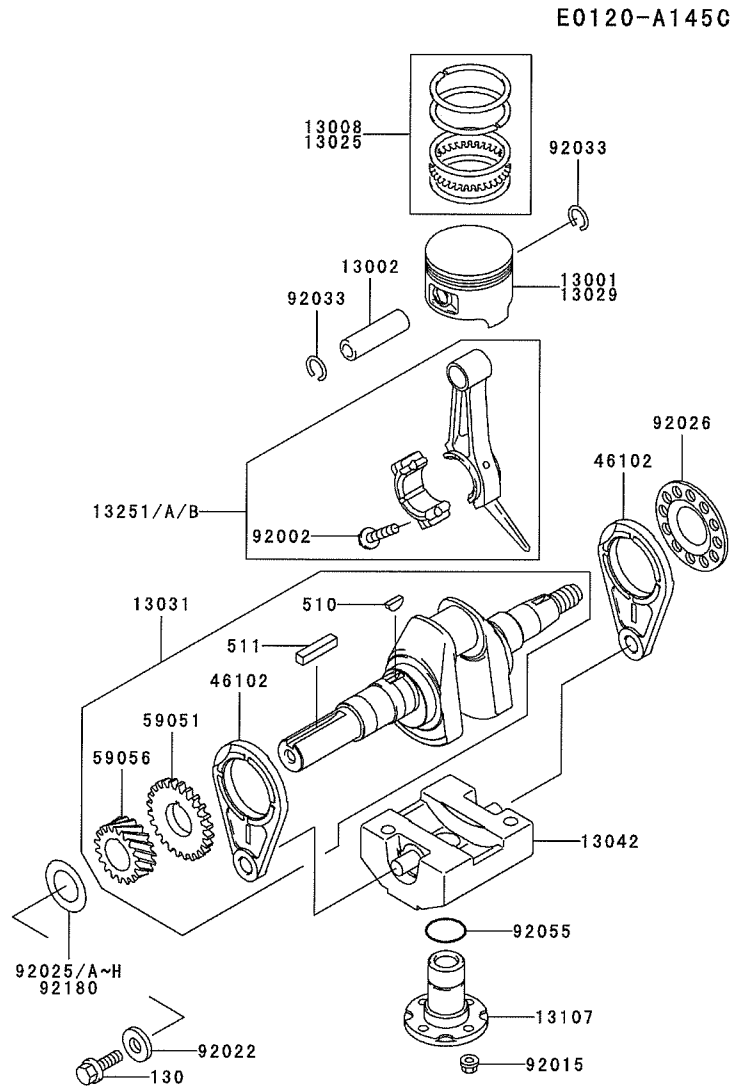
CYLINDER/CRANKCASE



Ref. No.	Part No.	Description	Quantity	
			A	B
11004	11004-2106	GASKET-HEAD	1	1
11008	11008-2086	HEAD-COMP-CYLINDER	1	1
11009	11009-2923	GASKET,ROCKER CASE	1	1
11022	11022-6002	CASE-ROCKER	1	1
11061	11061-2069	GASKET	1	1
13183	13183-2299	PLATE	1	1
16126	16126-2107	VALVE	1	1
18020	18020-2073	BAFFLE	1	1
49015	49015-6135	COVER-CRANKCASE	1	1
49120	49120-2224	CRANKCASE-COMP	1	1
92004	92004-2083	STUD,6X14	4	4
92009	92009-2308	SCREW	2	2
92043	92043-1037	PIN	2	2
92043A	92043-1263	PIN	2	2
92045	92045-2188	BEARING-BALL,6206CM	2	2
92049	92049-2097	SEAL-OIL	1	1
92049A	92049-2199	SEAL-OIL	1	1
92049B	92049-2220	SEAL-OIL	1	1
92055	92055-1343	RING-O	2	2
92150	92150-2145	BOLT,6X35	2	2
92151	92151-2130	BOLT,8X40	8	8
130	130T0845	BOLT-FLANGED	6	6

This catalog covers:
FE250D- □ G81

This fig. covers:
02 PISTON/CRANKSHAFT



Ref. No.	Part No.	Description	Quantity	
			A	B
13001	13001-2128	PISTON-ENGINE	1	1
13002	13002-2077	PIN-PISTON	1	1
13008	13008-2055	RING-SET-PISTON	1	1
13025	13025-2097	RING-SET-PISTON L,0.5	AR	AR
13029	13029-2117	PISTON-ENGINE L,0.5	AR	AR
13031	13031-2056	CRANKSHAFT-COMP	1	1
13042	13042-6012	WEIGHT	1	1
13107	13107-2088	SHAFT	1	1
13251	13251-2078	ROD-ASSY-CONNECTING		1
13251A	13251-6038	ROD-ASSY-CONNECTING	1	
13251B	13251-6038	ROD-ASSY-CONNECTING		*
46102	46102-2075	ROD	2	2
59051	59051-2097	GEAR-SPUR	1	1
59056	59056-2995	GEAR-HELICAL	1	1
92002	92002-2053	BOLT	2	2
92015	92015-1193	NUT	4	4
92022	92022-2116	WASHER	1	1
92025	92025-2168	SHIM,T=1.13	AR	AR
92025A	92025-2169	SHIM,T=1.18	AR	AR
92025B	92025-2170	SHIM,T=1.23	AR	AR
92025C	92025-2171	SHIM,T=1.28	AR	AR
92025D	92025-2172	SHIM,T=1.33	AR	AR
92025E	92025-2173	SHIM,T=1.38	AR	AR
92025F	92025-2174	SHIM,T=1.43	AR	AR
92025G	92025-2175	SHIM,T=1.48	AR	AR
92025H	92025-2207	SHIM,T=1.53	AR	AR
92026	92026-2052	SPACER	1	1
92033	92033-1099	RING-SNAP	2	2
92055	92055-2072	RING-O	1	1
92180	92180-2027	SHIM	AR	AR
130	130G0825	BOLT-FLANGED	1	1
510	510A5100	KEY-WOODRUFF	1	1
511	511A0735	KEY-SUNK	1	1

This catalog covers:

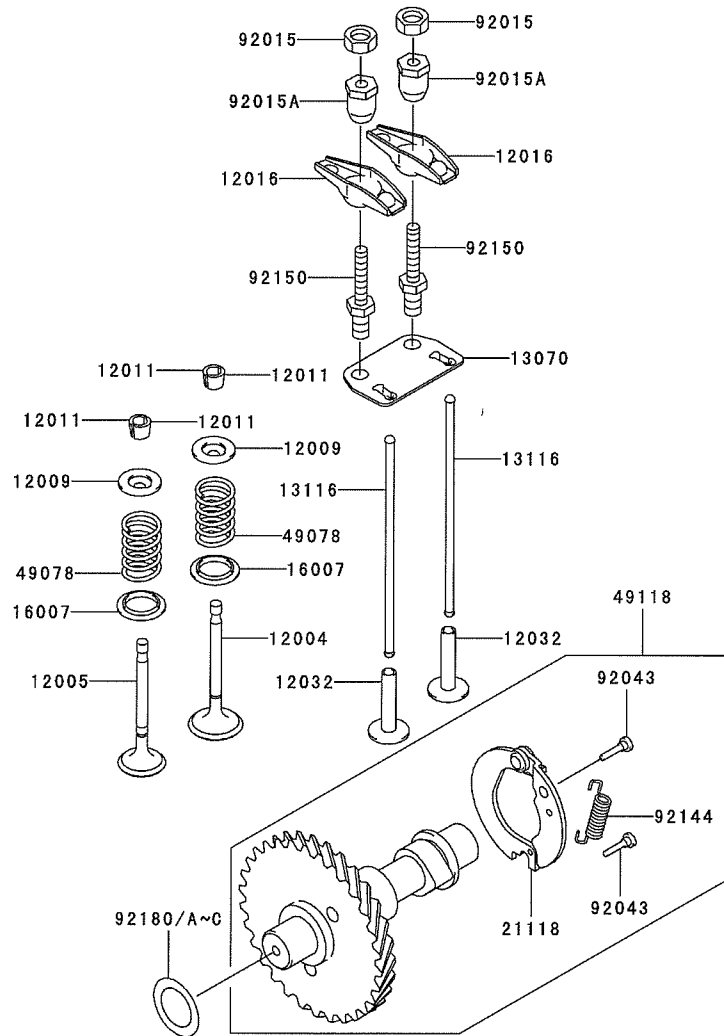
FE250D- □ G81

03

This fig. covers:

VALVE/CAMSHAFT

E0130-A011F



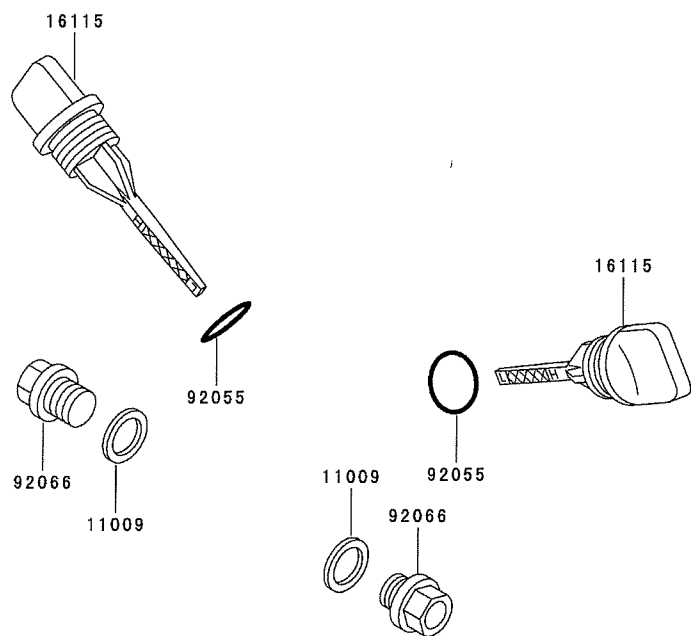
Ref. No.	Part No.	Description	Quantity	
			A	B
12004	12004-2093	VALVE-INTAKE	1	1
12005	12005-2081	VALVE-EXHAUST	1	1
12009	12009-2066	RETAINER-VALVE SPRING	2	2
12011	12011-2056	COLLET	4	4
12016	12016-2060	ARM-ROCKER	2	2
12032	12032-2060	TAPPET	2	2
13070	13070-2086	GUIDE	1	1
13116	13116-2071	ROD-PUSH	2	2
16007	16007-2072	SEAT-SPRING	2	2
21118	21118-2087	DECOMPRESSOR	1	1
49078	49078-2067	SPRING-ENGINE VALVE	2	2
49118	49118-2108	CAMSHAFT-COMP	1	1
92015	92015-2240	NUT	2	2
92015A	92015-2253	NUT	2	2
92043	92043-2113	PIN	2	2
92144	92144-2323	SPRING	1	1
92150	92150-2198	BOLT	2	2
92180	92180-2010	SHIM,T=0.3	AR	AR
92180A	92180-2011	SHIM,T=0.4	AR	AR
92180B	92180-2012	SHIM,T=0.5	AR	AR
92180C	92180-2062	SHIM,T=0.2	AR	AR

This catalog covers:
FE250D- □ G81

04 This fig. covers:
LUBRICATION-EQUIPMENT

E0140-A007A

Ref. No.	Part No.	Description	Quantity	
			A	B
11009	11009-2175	GASKET,14.2X19X2	2	2
16115	16115-2079	CAP-OIL FILLER	2	2
92055	92055-2185	RING-O,20MM	2	2
92066	92066-2203	PLUG,DRAIN	2	2



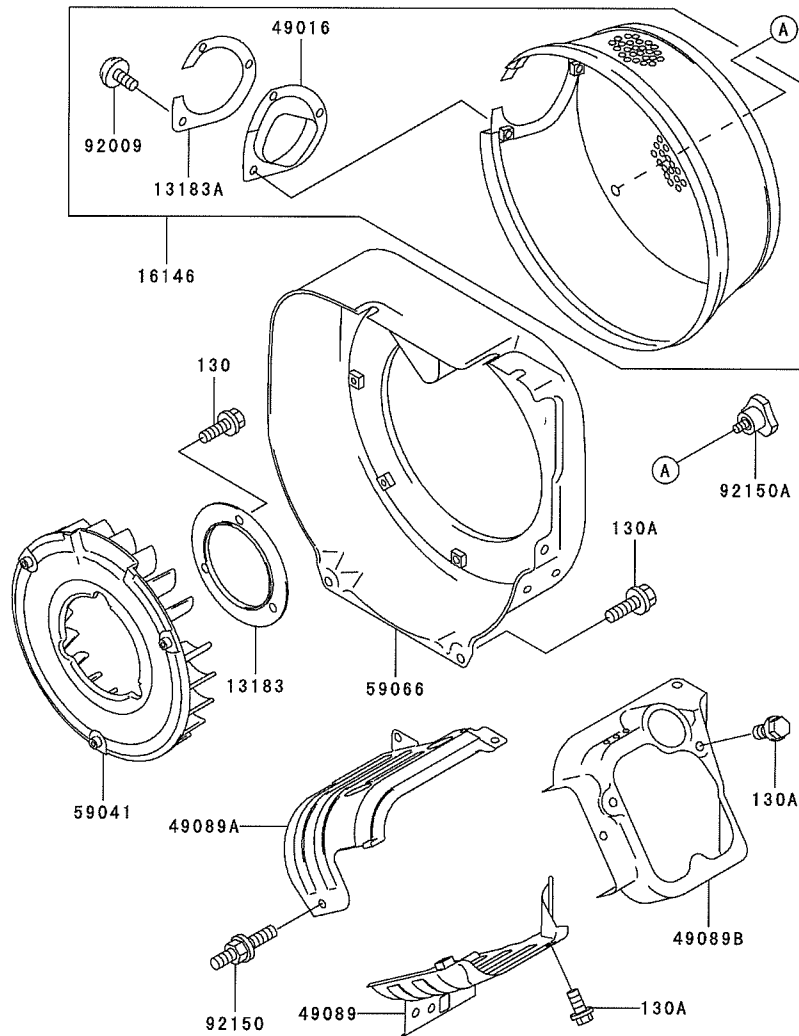
This catalog covers:

FE250D- □ G81

This fig. covers:

05 COOLING-EQUIPMENT

E0150-A285C

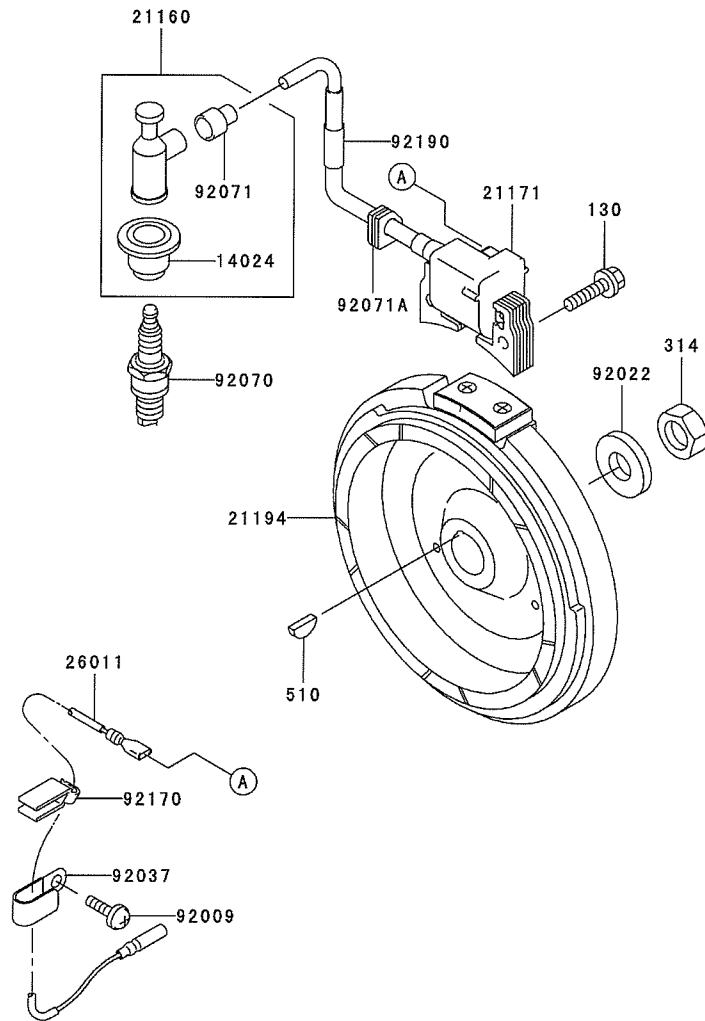


Ref. No.	Part No.	Description	Quantity	
			A	B
13183	13183-2407	PLATE	1	1
13183A	13183-2483	PLATE	1	1
16146	16146-2193	COVER-ASSY	1	1
49016	49016-2082	COVER-SEAL	1	1
49089	49089-2326-9H	SHROUD-ENGINE	1	1
49089A	49089-2328-9H	SHROUD-ENGINE	1	1
49089B	49089-2360-9H	SHROUD-ENGINE	1	1
59041	59041-2072	FAN	1	1
59066	59066-2721-9H	HOUSING-FAN	1	1
92009	92009-2243	SCREW,5X10	3	3
92150	92150-2197	BOLT	1	1
92150A	92150-2264	BOLT	4	4
130	130G0610	BOLT-FLANGED	3	3
130A	130G0612	BOLT-FLANGED	11	11

This catalog covers:
FE250D- □ G81

This fig. covers:
06 ELECTRIC-EQUIPMENT

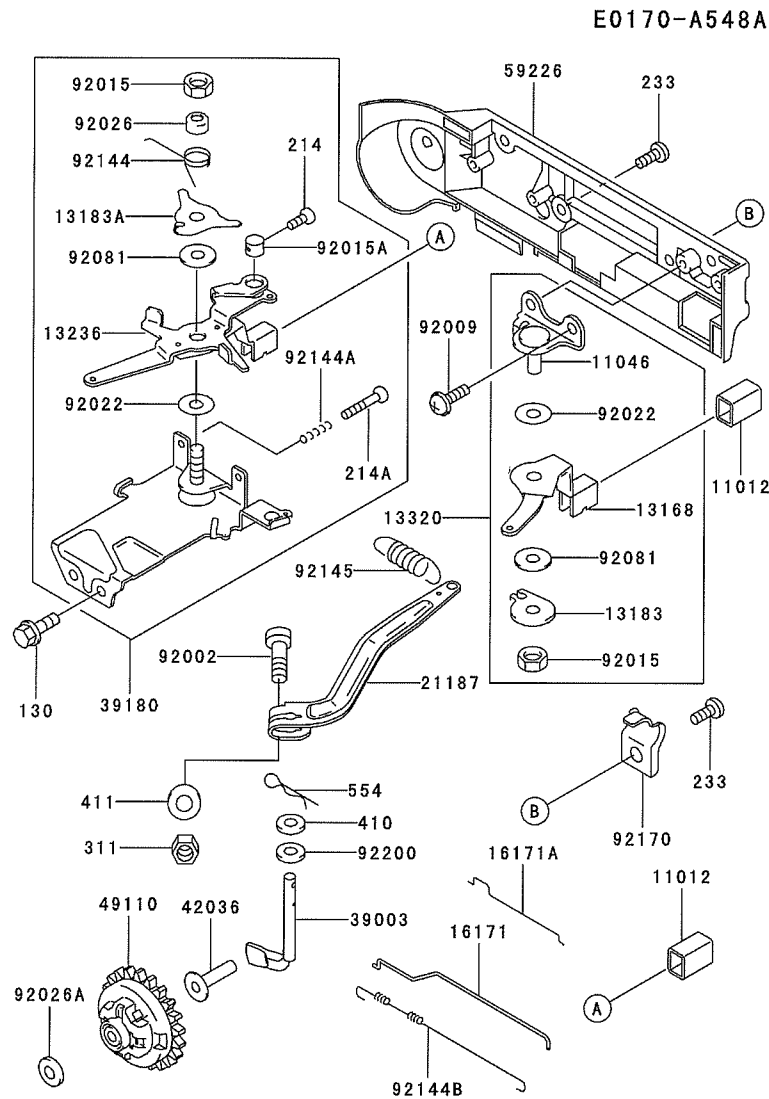
E0160-A568C



Ref. No.	Part No.	Description	Quantity	
			A	B
14024	14024-2234	COVER	1	1
21160	21160-2051	CAP-ASSY-PLUG	1	1
21171	21171-2206	COIL-ASSY-IGNITION	1	1
21194	21194-2241	FLYWHEEL-COMP	1	1
26011	26011-2334	WIRE-LEAD,L=350	1	1
92009	92009-2308	SCREW	1	1
92022	92022-2205	WASHER	1	1
92037	92037-2171	CLAMP	1	1
92070	92070-2077	PLUG-SPARK,BPR5ES(NGK),SOLID	1	1
92071	92071-2008	GROMMET	1	1
92071A	92071-2112	GROMMET	1	1
92170	92170-2017	CLAMP	1	1
92190	92190-2069	TUBE,7.5X10X35	1	1
130	130B0525	BOLT-FLANGED	2	2
314	314G1600	NUT-HEX-FINE	1	1
510	510A5100	KEY-WOODRUFF	1	1

This catalog covers:
FE250D- □ G81

This fig. covers:
07 CONTROL-EQUIPMENT

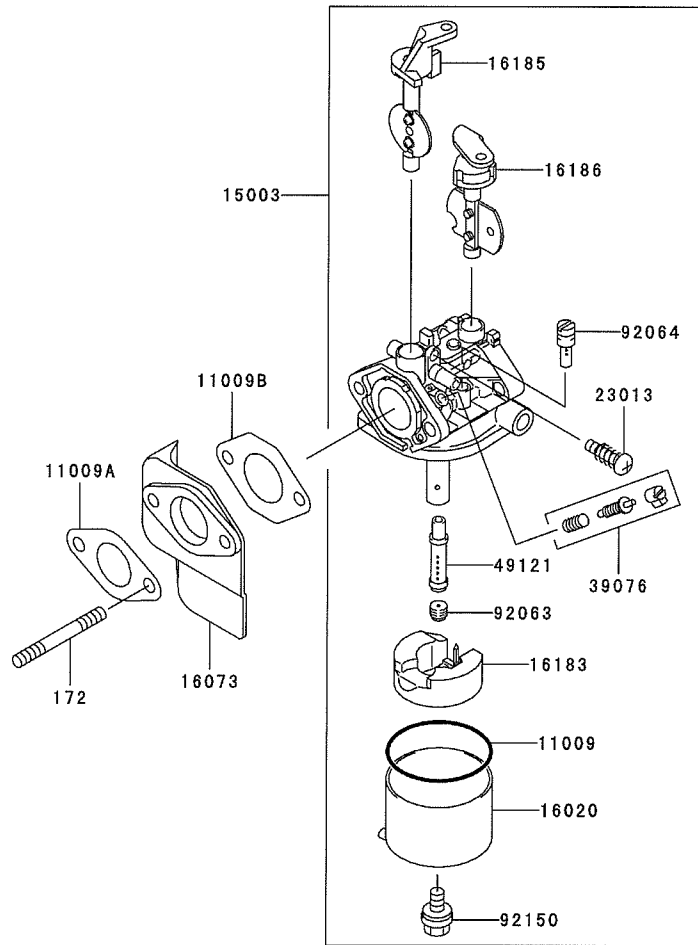


Ref. No.	Part No.	Description	Quantity	
			A	B
11012	11012-2282	CAP	2	2
11046	11046-2143	BRACKET	1	1
13168	13168-2314	LEVER	1	1
13183	13183-2334	PLATE	1	1
13183A	13183-2343	PLATE	1	1
13236	13236-2116	LEVER-COMP	1	1
13320	13320-2021	LEVER-ASSY	1	1
16171	16171-2063	LINK	1	1
16171A	16171-2064	LINK	1	1
21187	21187-2061	ARM-ASSY	1	1
39003	39003-2076	ARM-PIVOT	1	1
39180	39180-2643	PANEL-ASSY-CONTROL	1	1
42036	42036-2060	SLEEVE	1	1
49110	49110-2069	GOVERNOR-ASSY	1	1
59226	59226-2229	PANEL-CONTROL	1	1
92002	92002-2269	BOLT	1	1
92009	92009-2203	SCREW	2	2
92015	92015-2051	NUT	2	2
92015A	92015-2120	NUT	1	1
92022	92022-2103	WASHER	2	2
92026	92026-2158	SPACER	1	1
92026A	92200-2036	SPACER	1	1
92081	92081-2104	SPRING	2	2
92144	92144-2257	SPRING	1	1
92144A	92144-2266	SPRING	2	2
92144B	92144-2279	SPRING	1	1
92145	92145-2054	SPRING	1	1
92170	92170-2035	CLAMP	1	1
92200	92200-2029	WASHER,6.5X11.5X2.0	1	1
130	130G0612	BOLT-FLANGED	2	2
214	214B0408	SCREW-PAN+-	1	1
214A	214B0422	SCREW-PAN+-	2	2
233	233F0514	SCREW-PAN-WP+-	4	4
311	311B0600	NUT-HEX	1	1
410	410B0600	W-PLAIN-S	1	1
411	411B0600	WASHER-PLAIN	1	1
554	554A0600	PIN-SNAP	1	1

This catalog covers:
FE250D- □ G81

This fig. covers:
08 CARBURETOR

E0180-A667A

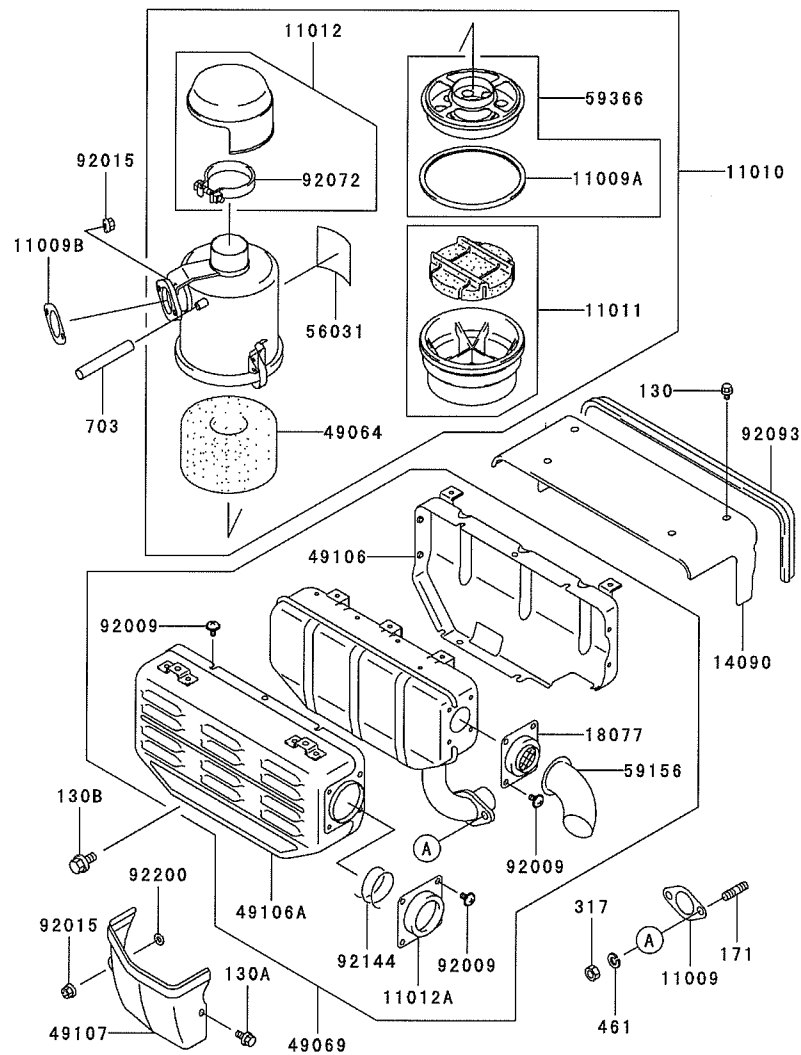


Ref. No.	Part No.	Description	Quantity	
			A	B
11009	11009-2919	GASKET	1	1
11009A	11009-2927	GASKET,INSULATOR	1	1
11009B	11009-2928	GASKET,CARBURETOR	1	1
15003	15003-2888	CARBURETOR-ASSY	1	1
16020	16020-2123	CHAMBER-FLOAT	1	1
16073	16073-2150	INSULATOR	1	1
16183	16183-2005	FLOAT-ASSY	1	1
16185	16185-2003	VALVE-ASSY-THROTTLE	1	1
16186	16186-2002	VALVE-ASSY-CHOKE	1	1
23013	23013-2054	SCREW-ASSY	1	1
39076	39076-2055	LIMITER	1	1
49121	49121-2210	NOZZLE-MAIN	1	1
92063	92063-2283	JET-MAIN,#82	1	1
92064	92064-2086	JET-PILOT,#40	1	1
92150	92150-2209	BOLT	1	1
172	172G0677	BOLT-STUD	2	2

This catalog covers:
FE250D- □ G81

This fig. covers:
09 AIR-FILTER/MUFFLER

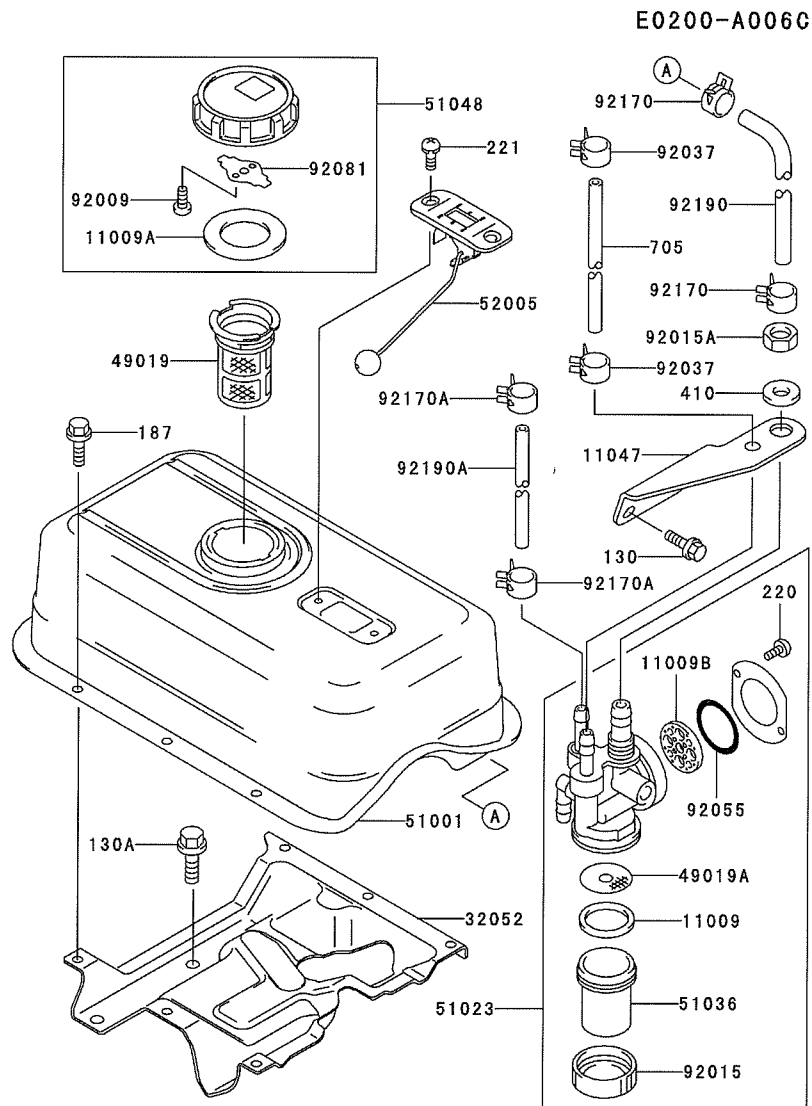
E0190-A396B



Ref. No.	Part No.	Description	Quantity	
			A	B
11009	11009-2487	GASKET,MUFFLER	1	1
11009A	11009-2859	GASKET	1	1
11009B	11009-2925	GASKET,AIR FILTER	1	1
11010	11010-2547-9H	FILTER-ASSY-AIR	1	1
11011	11011-2325	CASE-AIR FILTER	1	1
11012	11012-2135-9H	CAP,AIR FILTER	1	1
11012A	11012-2322-9X	CAP	1	1
14090	14090-2019-9H	COVER	1	1
18077	18077-2094	ARRESTER-SPARK	1	1
49064	49064-2054	FILTER-AIR	1	1
49069	49069-2230	MUFFLER-ASSY	1	1
49106	49106-2514-9X	COVER-MUFFLER	1	1
49106A	49106-2549-9X	COVER-MUFFLER	1	1
49107	49107-2129-9H	COVER-EXHAUST PIPE	1	1
56031	56031-2223	LABEL-MANUAL	1	1
59156	59156-2230-9Y	PIPE-TAIL	1	1
59366	59366-2065	GRATE	1	1
92009	92009-2322	SCREW	15	15
92015	92015-1193	NUT	3	3
92072	92072-2073	BAND	1	1
92093	92093-2094	SEAL	1	1
92144	92144-2262	SPRING	1	1
92200	92200-2070	WASHER	1	1
130	130B0508	BOLT-FLANGED	4	4
130A	130G0612	BOLT-FLANGED	2	2
130B	130G0816	BOLT-FLANGED	1	1
171	171G0820	BOLT-STUD	2	2
317	317R0800	NUT-HEX-SMALL	2	2
461	461F0800	WASHER-SPRING	2	2
703	703A071000	TUBE-RUBBER	1	1

This catalog covers:
FE250D- □ G81

This fig. covers:
10 FUEL-TANK/FUEL-VALVE

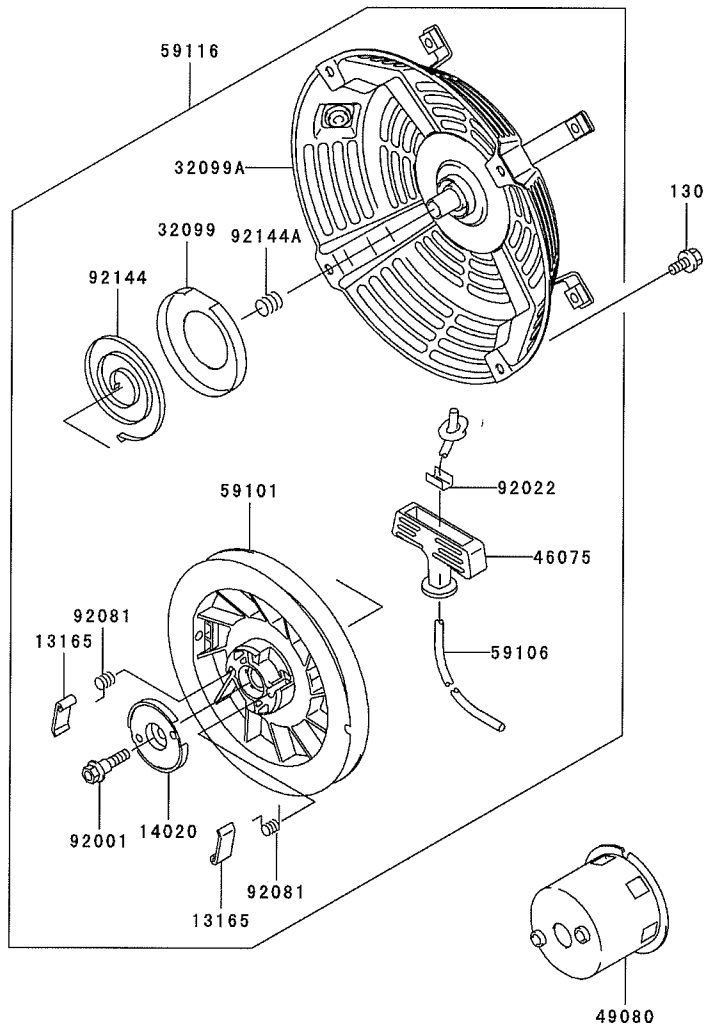


Ref. No.	Part No.	Description	Quantity	
			A	B
11009	11009-2021	GASKET	1	1
11009A	11009-2115	GASKET	1	1
11009B	11009-2847	GASKET	1	1
11047	11047-2065	BRACKET	1	1
32052	32052-2201-9H	BRACKET-TANK	1	1
49019	49019-2051	FILTER-FUEL	1	1
49019A	49019-2095	FILTER-FUEL	1	1
51001	51001-2241-9H	TANK-COMP-FUEL	1	1
51023	51023-2151	TAP-ASSY	1	1
51036	51036-2066	CUP,FUEL TAP	1	1
51048	51048-2055	CAP-ASSY-TANK	1	1
52005	52005-2100	GAUGE	1	1
92009	92009-2021	SCREW	2	2
92015	92015-2007	NUT	1	1
92015A	92015-2317	NUT	1	1
92037	92037-2001	CLAMP	2	2
92055	92055-2153	RING-O	1	1
92081	92081-2036	SPRING	1	1
92170	92170-2082	CLAMP	2	2
92170A	92170-2084	CLAMP	2	2
92190	92190-2082	TUBE,7X12X220	1	1
92190A	92190-2083	TUBE,3.5X7.9X120	1	1
130	130G0612	BOLT-FLANGED	2	2
130A	130G0816	BOLT-FLANGED	4	4
187	187L0612	BOLT-UPSET-WSP	6	6
220	220B0308	SCREW-PAN-CROS	2	2
221	221F0512	SCREW-CSK-CROSS	2	2
410	410B1000	W-PLAIN-S	1	1
705	705A041000	TUBE-BRAID	1	1

This catalog covers:
FE250D- □ G81

This fig. covers:
11 STARTER

E0210-A198A

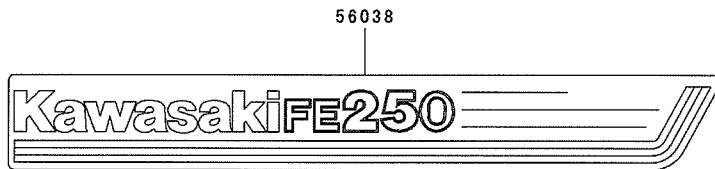
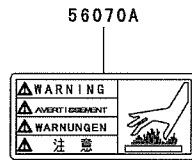
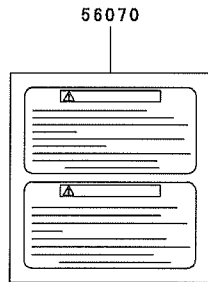
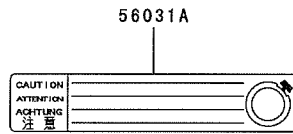
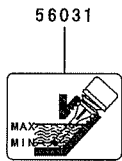
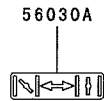
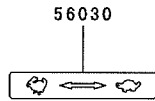


Ref. No.	Part No.	Description	Quantity	
			A	B
13165	13165-2073	PAWL,RECOIL STARTER	2	2
14020	14020-2094	RETAINER,RECOIL STARTER	1	1
32099	32099-2193	CASE,SPRING	1	1
32099A	32099-2355-YK	CASE,RECOIL STARTER	1	1
46075	46075-2092	GRIP,RECOIL STARTER	1	1
49080	49080-2162	PULLEY-STARTING	1	1
59101	59101-2092	REEL,RECOIL STARTER	1	1
59106	59106-2099	ROPE,4.5X1550	1	1
59116	59116-2344-YK	STARTER-ASSY-RECOIL	1	1
92001	92001-2027	BOLT	1	1
92022	92022-2248	WASHER	1	1
92081	92081-2021	SPRING	2	2
92144	92144-2055	SPRING,RECOIL	1	1
92144A	92144-2212	SPRING	1	1
130	130G0612	BOLT-FLANGED	4	4

This catalog covers:
FE250D- □ G81

This fig. covers:
12 LABEL

F0290-B271A



Ref. No.	Part No.	Description	Quantity	
			A	B
56030	56030-2385	LABEL,THROTTLE	1	1
56030A	56030-2386	LABEL,CHOKE	1	1
56031	56031-2458	LABEL-MANUAL	1	1
56031A	56031-2465	LABEL-MANUAL	1	1
56038	56038-2730	LABEL-BRAND	1	1
56070	56070-2003	LABEL-WARNING	1	1
56070A	56070-2010	LABEL-WARNING	1	1
56070B	56070-2066	LABEL-WARNING	1	1

This catalog covers:

FE250D- □ G81

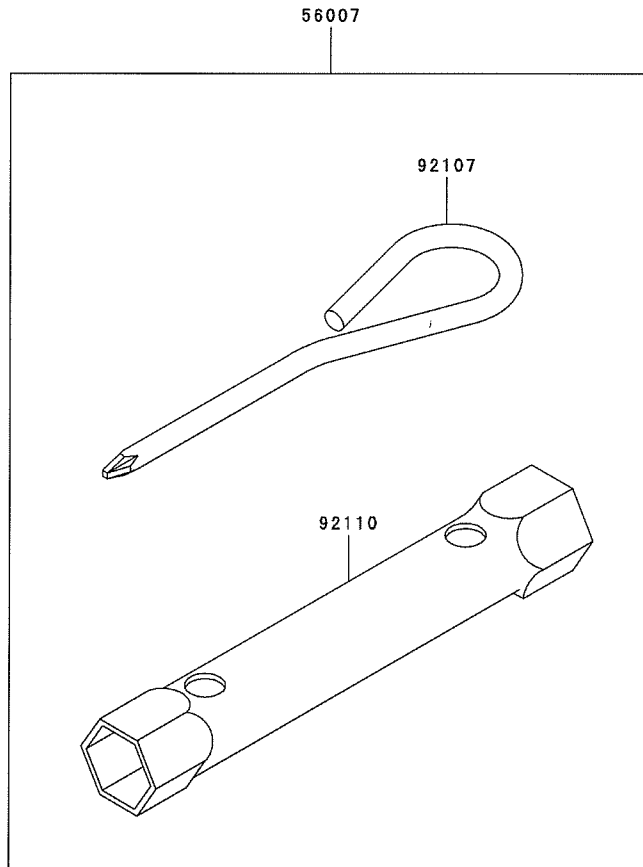
13

This fig. covers:

TOOL

F0300-A001A

Ref. No.	Part No.	Description	Quantity	
			A	B
56007	56007-2051	TOOLKIT	1	1
92107	92107-2057	TOOL-DRIVER	1	1
92110	92110-2051	TOOL-WRENCH,19X21	1	1



This catalog covers:

FE250D- □ G81

This fig. covers:

NUMERICAL PARTS INDEX

Part No.	Fig No.	Part No.	Fig No.	Part No.	Fig No.	Part No.	Fig No.	Part No.	Fig No.
11004-2106	01	13251-6038	02	49089-2360-9H	05	92022-2248	11	92180-2027	02
11008-2086	01	13320-2021	07	49106-2514-9X	09	92025-2168	02	92180-2062	03
11009-2021	10	14020-2094	11	49106-2549-9X	09	92025-2169	02	92190-2069	06
11009-2115	10	14024-2234	06	49107-2129-9H	09	92025-2170	02	92190-2082	10
11009-2175	04	14090-2019-9H	09	49110-2069	07	92025-2171	02	92190-2083	10
11009-2487	09	15003-2888	08	49118-2108	03	92025-2172	02	92200-2029	07
11009-2847	10	16007-2072	03	49120-2224	01	92025-2173	02	92200-2036	07
11009-2859	09	16020-2123	08	49121-2210	08	92025-2174	02	92200-2070	09
11009-2919	08	16073-2150	08	51001-2241-9H	10	92025-2175	02		
11009-2923	01	16115-2079	04	51023-2151	10	92025-2207	02		
11009-2925	09	16126-2107	01	51036-2066	10	92026-2052	02		
11009-2927	08	16146-2193	05	51048-2055	10	92026-2158	07		
11009-2928	08	16171-2063	07	510A5100	02	92033-1099	02		
11010-2547-9H	09	16171-2064	07	510A5100	06	92037-2001	10		
11011-2325	09	16183-2005	08	511A0735	02	92037-2171	06		
11012-2135-9H	09	16185-2003	08	52005-2100	10	92043-1037	01		
11012-2282	07	16186-2002	08	554A0600	07	92043-1263	01		
11012-2322-9X	09	171G0820	09	56007-2051	13	92043-2113	03		
11022-6002	01	172G0677	08	56030-2385	12	92045-2188	01		
11046-2143	07	18020-2073	01	56030-2386	12	92049-2097	01		
11047-2065	10	18077-2094	09	56031-2223	09	92049-2199	01		
11061-2069	01	187L0612	10	56031-2458	12	92049-2220	01		
12004-2093	03	21118-2087	03	56031-2465	12	92055-1343	01		
12005-2081	03	21160-2051	06	56038-2730	12	92055-2072	02		
12009-2066	03	21171-2206	06	56070-2003	12	92055-2153	10		
12011-2056	03	21187-2061	07	56070-2010	12	92055-2185	04		
12016-2060	03	21194-2241	06	56070-2066	12	92063-2283	08		
12032-2060	03	214B0408	07	59041-2072	05	92064-2086	08		
13001-2128	02	214B0422	07	59051-2097	02	92066-2203	04		
13002-2077	02	220B0308	10	59056-2995	02	92070-2077	06		
13008-2055	02	221F0512	10	59066-2721-9H	05	92071-2008	06		
13025-2097	02	23013-2054	08	59101-2092	11	92071-2112	06		
13029-2117	02	233F0514	07	59106-2099	11	92072-2073	09		
13031-2056	02	26011-2334	06	59116-2344-YK	11	92081-2021	11		
13042-6012	02	311B0600	07	59156-2230-9Y	09	92081-2036	10		
13070-2086	03	314G1600	06	59226-2229	07	92081-2104	07		
130B0508	09	317R0800	09	59366-2065	09	92093-2094	09		
130B0525	06	32052-2201-9H	10	703A071000	09	92107-2057	13		
130G0610	05	32099-2193	11	705A041000	10	92110-2051	13		
130G0612	05	32099-2355-YK	11	92001-2027	11	92144-2055	11		
130G0612	07	39003-2076	07	92002-2053	02	92144-2212	11		
130G0612	09	39076-2055	08	92002-2269	07	92144-2257	07		
130G0612	10	39180-2643	07	92004-2083	01	92144-2262	09		
130G0612	11	410B0600	07	92009-2021	10	92144-2266	07		
130G0816	09	410B1000	10	92009-2203	07	92144-2279	07		
130G0816	10	411B0600	07	92009-2243	05	92144-2323	03		
130G0825	02	42036-2060	07	92009-2308	01	92145-2054	07		
130T0845	01	46075-2092	11	92009-2308	06	92150-2145	01		
13107-2088	02	46102-2075	02	92009-2322	09	92150-2197	05		
13116-2071	03	461F0800	09	92015-1193	02	92150-2198	03		
13165-2073	11	49015-6135	01	92015-1193	09	92150-2209	08		
13168-2314	07	49016-2082	05	92015-2007	10	92150-2264	05		
13183-2299	01	49019-2051	10	92015-2051	07	92151-2130	01		
13183-2334	07	49019-2095	10	92015-2120	07	92170-2017	06		
13183-2343	07	49064-2054	09	92015-2240	03	92170-2035	07		
13183-2407	05	49069-2230	09	92015-2253	03	92170-2082	10		
13183-2483	05	49078-2067	03	92015-2317	10	92170-2084	10		
13236-2116	11	49080-2162	11	92022-2103	07	92180-2010	03		
13251-2078	02	49089-2326-9H	05	92022-2116	02	92180-2011	03		
13251-6038	02	49089-2328-9H	05	92022-2205	06	92180-2012	03		

This catalog covers:
FE290D-□G80

This fig. covers:
TITLE

PARTS CATALOG

4-STROKE ENGINE

FE290D

PRODUCT CODE	NOTE
FE290D-AG80	HAMMER KNIFE (HR801)

This catalog covers:

FE290D- □ G80

This fig. covers:

PART NAME INDEX

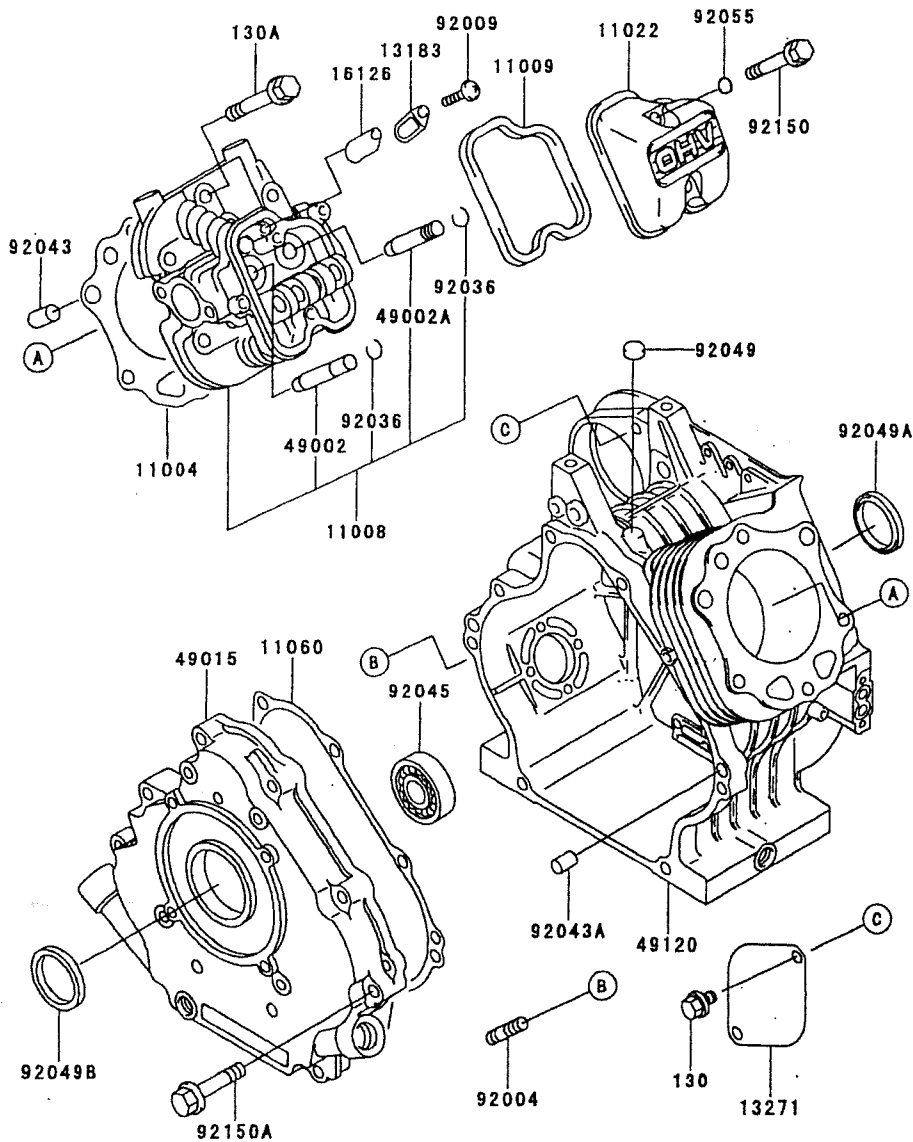
AIR-FILTER/MUFFLER.....	09
CARBURETOR.....	08
CONTROL-EQUIPMENT.....	07
COOLING-EQUIPMENT.....	05
CYLINDER/CRANKCASE.....	01
ELECTRIC-EQUIPMENT.....	06
FUEL-TANK/FUEL-VALVE.....	10
LABEL.....	12
LUBRICATION-EQUIPMENT.....	04
PISTON/CRANKSHAFT.....	02
STARTER.....	11
TOOL.....	13
VALVE/CAMSHAFT.....	03

This catalog covers:
FE290D- □ G80

01

This fig. covers:
CYLINDER/CRANKCASE

E0110-A353A

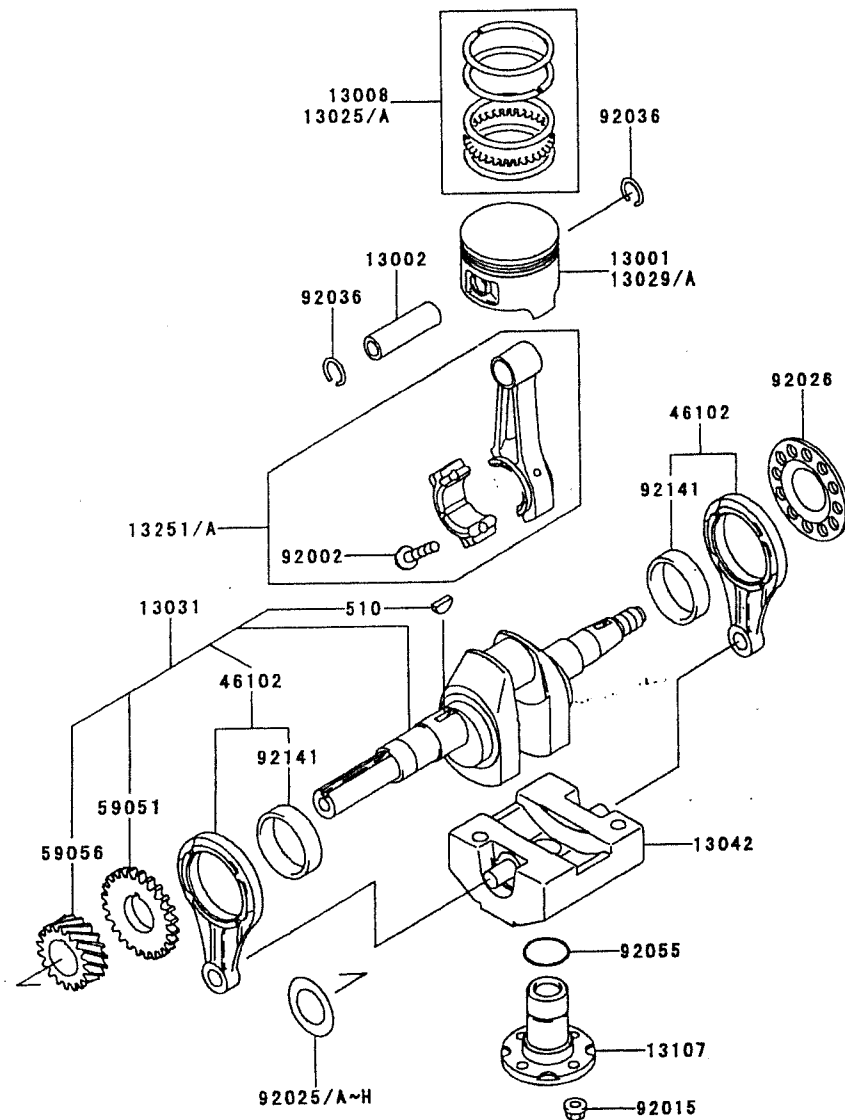


Ref. No.	Part No.	Description	Quantity
			A
11004	11004-2138	GASKET-HEAD	1
11008	11008-2128	HEAD-COMP-CYLINDER	1
11009	11009-2829	GASKET,ROCKER CASE	1
11022	11022-6001	CASE-ROCKER	1
11060	11060-2122	GASKET,CRANKCASE COVER	1
13183	13183-2299	PLATE	1
13271	13271-2170	PLATE	1
16126	16126-2107	VALVE	1
49002	49002-2090	GUIDE-VALVE	1
49002A	49002-2101	GUIDE-VALVE	1
49015	49015-6238	COVER-CRANKCASE	1
49120	49120-2278	CRANKCASE-COMP	1
92004	92004-2083	STUD,6X14	4
92009	92009-2308	SCREW	1
92036	92036-023	RING-SNAP	2
92043	92043-1037	PIN	2
92043A	92043-1263	PIN	2
92045	92045-2168	BEARING-BALL,6306JRCM	1
92049	92049-2097	SEAL-OIL	1
92049A	92049-2199	SEAL-OIL	1
92049B	92049-2220	SEAL-OIL	1
92055	92055-1343	RING-O	2
92150	92150-2145	BOLT,6X35	2
92150A	92150-2252	BOLT,8X45	8
130	130G0812	BOLT-FLANGED	2
130A	130T0845	BOLT-FLANGED	6

This catalog covers:
FE290D- □ G80

This fig. covers:
02 PISTON/CRANKSHAFT

E0120-A067B



Ref. No.	Part No.	Description	Quantity
13001	13001-2125	PISTON-ENGINE	1
13002	13002-2069	PIN-PISTON	1
13008	13008-6007	RING-SET-PISTON	1
13025	13025-2073	RING-SET-PISTON L,0.25	AR
13025A	13025-2074	RING-SET-PISTON L,0.50	AR
13029	13029-2100	PISTON-ENGINE L,0.25	AR
13029A	13029-2101	PISTON-ENGINE L,0.50	AR
13031	13031-2068	CRANKSHAFT-COMP	1
13042	13042-6009	WEIGHT	1
13107	13107-2088	SHAFT	1
13251	13251-6034	ROD-ASSY-CONNECTING,U/S=0.50	AR
13251A	13251-6056	ROD-ASSY-CONNECTING	1
46102	46102-6004	ROD	2
59051	59051-2097	GEAR-SPUR	1
59056	59056-2993	GEAR-HELICAL	1
92002	92002-2053	BOLT	2
92015	92015-1193	NUT	4
92025	92025-2168	SHIM,T=1.13	AR
92025A	92025-2169	SHIM,T=1.18	AR
92025B	92025-2170	SHIM,T=1.23	AR
92025C	92025-2171	SHIM,T=1.28	AR
92025D	92025-2172	SHIM,T=1.33	AR
92025E	92025-2173	SHIM,T=1.38	AR
92025F	92025-2174	SHIM,T=1.43	AR
92025G	92025-2175	SHIM,T=1.48	AR
92025H	92025-2207	SHIM,T=1.53	AR
92026	92026-2052	SPACER	1
92036	92036-008	RING-SNAP	2
92055	92055-2072	RING-O	1
92141	92141-2090	BEARING-PLANE	2
510	510A5100	KEY-WOODRUFF	1

This catalog covers:

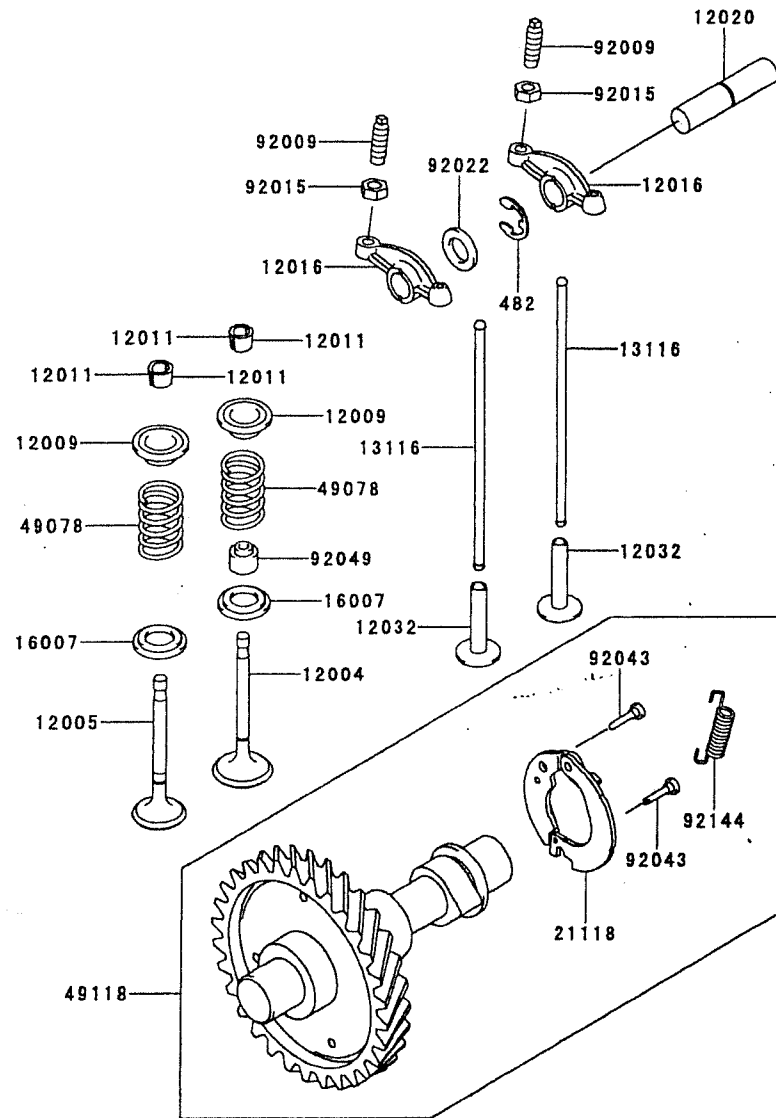
FE290D- □ G80

03

This fig. covers:

VALVE/CAMSHAFT

E0130-A049A

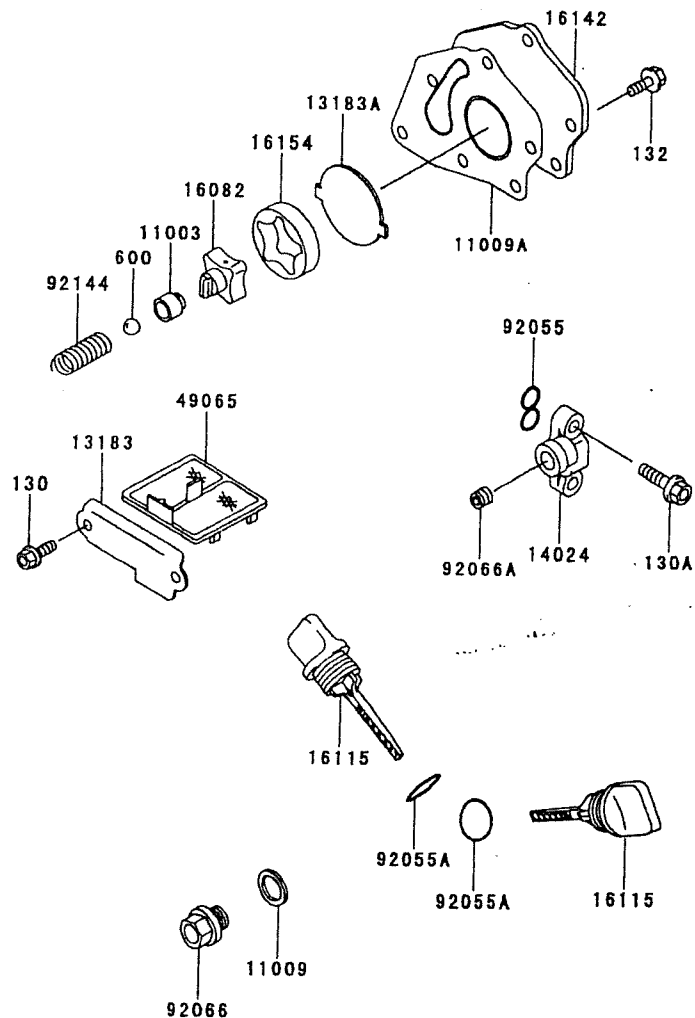


Ref. No.	Part No.	Description	Quantity
12004	12004-2084	VALVE-INTAKE	1
12005	12005-2077	VALVE-EXHAUST	1
12009	12009-2060	RETAINER-VALVE SPRING	2
12011	12011-2052	COLLET	4
12016	12016-2058	ARM-ROCKER	2
12020	12020-2060	SHAFT-ROCKER	1
12032	12032-2060	TAPPET	2
13116	13116-2054	ROD-PUSH	2
16007	16007-2052	SEAT-SPRING	2
21118	21118-2088	DECOMPRESSOR	1
49078	49078-2060	SPRING-ENGINE VALVE	2
49118	49118-2121	CAMSHAFT-COMP	1
92009	92009-1109	SCREW	2
92015	92015-1137	NUT	2
92022	92022-2397	WASHER,12.1X19X1.6	1
92043	92043-2113	PIN	2
92049	92049-2100	SEAL-OIL	1
92144	92144-2323	SPRING	1
482	482J0100	CIRCLIP-TYPE-E	1

This catalog covers:
FE290D- □ G80

This fig. covers:
04 LUBRICATION-EQUIPMENT

E0140-A172A



Ref. No.	Part No.	Description	Quantity
11003	11003-2089	SEAT-VALVE	1
11009	11009-2175	GASKET	1
11009A	11009-2828	GASKET,OIL PUMP	1
13183	13183-2295	PLATE,OIL FILTER	1
13183A	13183-2298	PLATE,OIL PUMP	1
14024	14024-2228	COVER	1
16082	16082-2062	PUMP-ASSY-OIL	1
16115	16115-2079	CAP-OIL FILLER	2
16142	16142-2062	COVER-PUMP	1
16154	16154-2054	ROTOR-PUMP,OUT	1
49065	49065-2068	FILTER-OIL	1
92055	92055-2063	RING-O	1
92055A	92055-2185	RING-O,20MM	2
92066	92066-2203	PLUG,DRAIN	1
92066A	92066-2211	PLUG	1
92144	92144-2202	SPRING	1
130	130B0508	BOLT-FLANGED	2
130A	130G0620	BOLT-FLANGED	2
132	132G0612	BOLT-FLANGED-SMALL	6
600	600A1000	BALL-STEEL	1

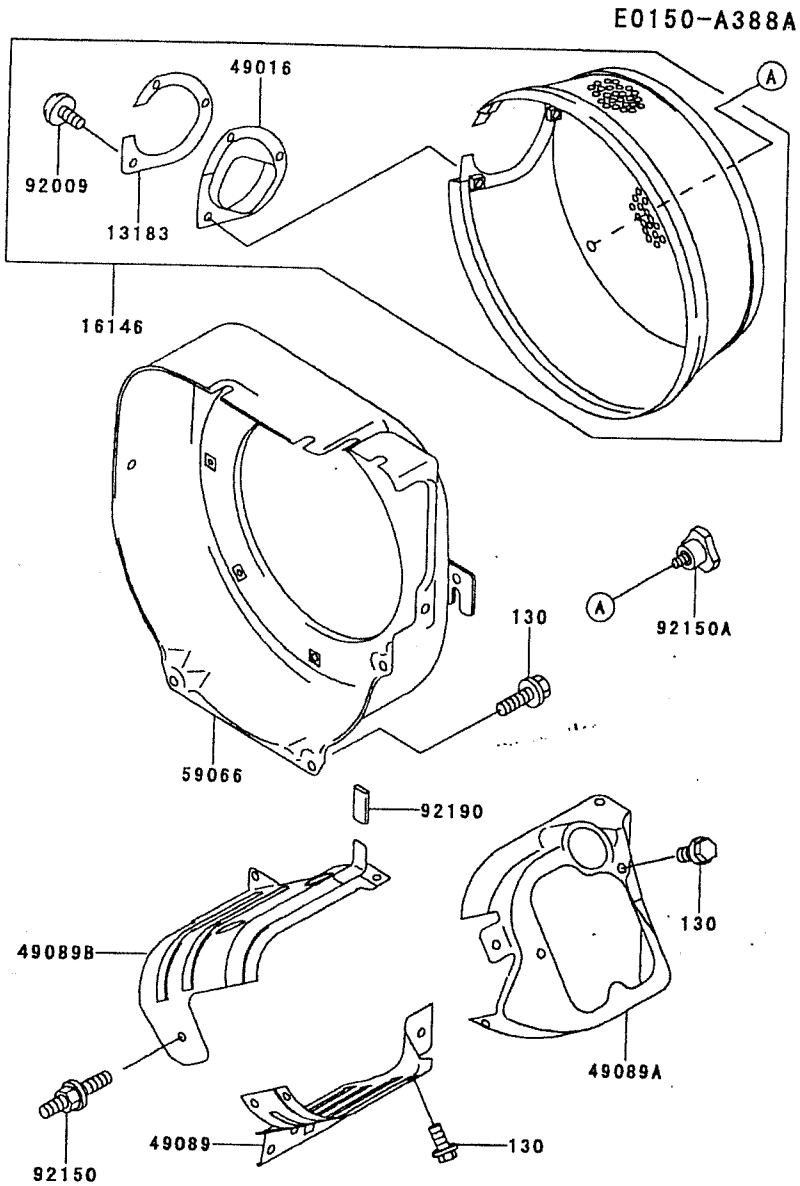
This catalog covers:

FE290D- □ G80

05

This fig. covers:

COOLING-EQUIPMENT



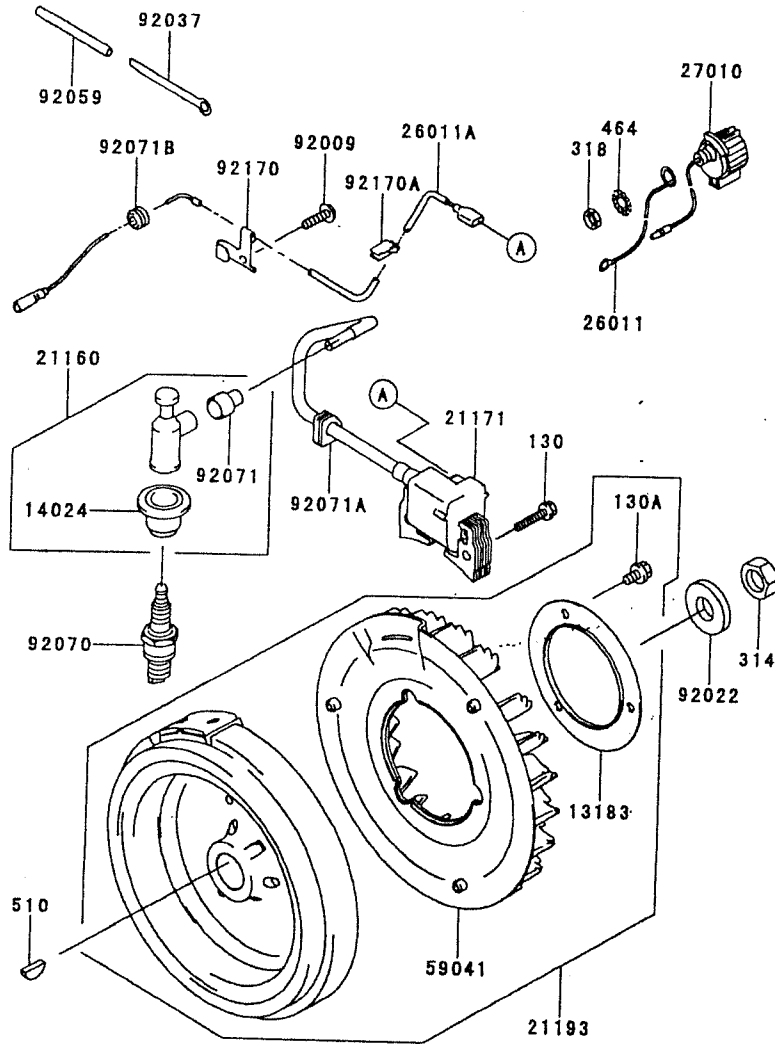
Ref. No.	Part No.	Description	Quantity
13183	13183-2483	PLATE	1
16146	16146-2193	COVER-ASSY	1
49016	49016-2082	COVER-SEAL	1
49089	49089-2309-9H	SHROUD-ENGINE	1
49089A	49089-2317-9H	SHROUD-ENGINE	1
49089B	49089-2318-9H	SHROUD-ENGINE	1
59066	59066-2538-9H	HOUSING-FAN	1
92009	92009-2243	SCREW,5X10	3
92150	92150-2197	BOLT	1
92150A	92150-2264	BOLT	4
92190	92190-2042	TUBE	1
130	130G0612	BOLT-FLANGED	15

This catalog covers:
FE290D- □ G80

06

This fig. covers:
ELECTRIC-EQUIPMENT

E0160-A738A



Ref. No.	Part No.	Description	Quantity
13183	13183-2407	PLATE	1
14024	14024-2234	COVER	1
21160	21160-2051	CAP-ASSY-PLUG	1
21171	21171-2207	COIL-ASSY-IGNITION	1
21193	21193-2161	FLYWHEEL-ASSY	1
26011	26011-2266	WIRE-LEAD	1
26011A	26011-2359	WIRE-LEAD	1
27010	27010-2066	SWITCH	1
59041	59041-2082	FAN	1
92009	92009-2308	SCREW	1
92022	92022-2205	WASHER	1
92037	92037-2006	CLAMP	1
92059	92059-2011	TUBE,5X6X75	1
92070	92070-2077	PLUG-SPARK,BPR5ES(NGK),SOLID	1
92071	92071-2008	GROMMET	1
92071A	92071-2112	GROMMET	1
92071B	92071-2125	GROMMET	1
92170	92170-2016	CLAMP	1
92170A	92170-2017	CLAMP	1
130	130B0525	BOLT-FLANGED	2
130A	130G0610	BOLT-FLANGED	3
314	314G1600	NUT-HEX-FINE	1
318	318B0800	NUT-HEX-SMALL	1
464	464H0800	WASHER-TOOTHED	1
510	510A5100	KEY-WOODRUFF	1

This catalog covers:

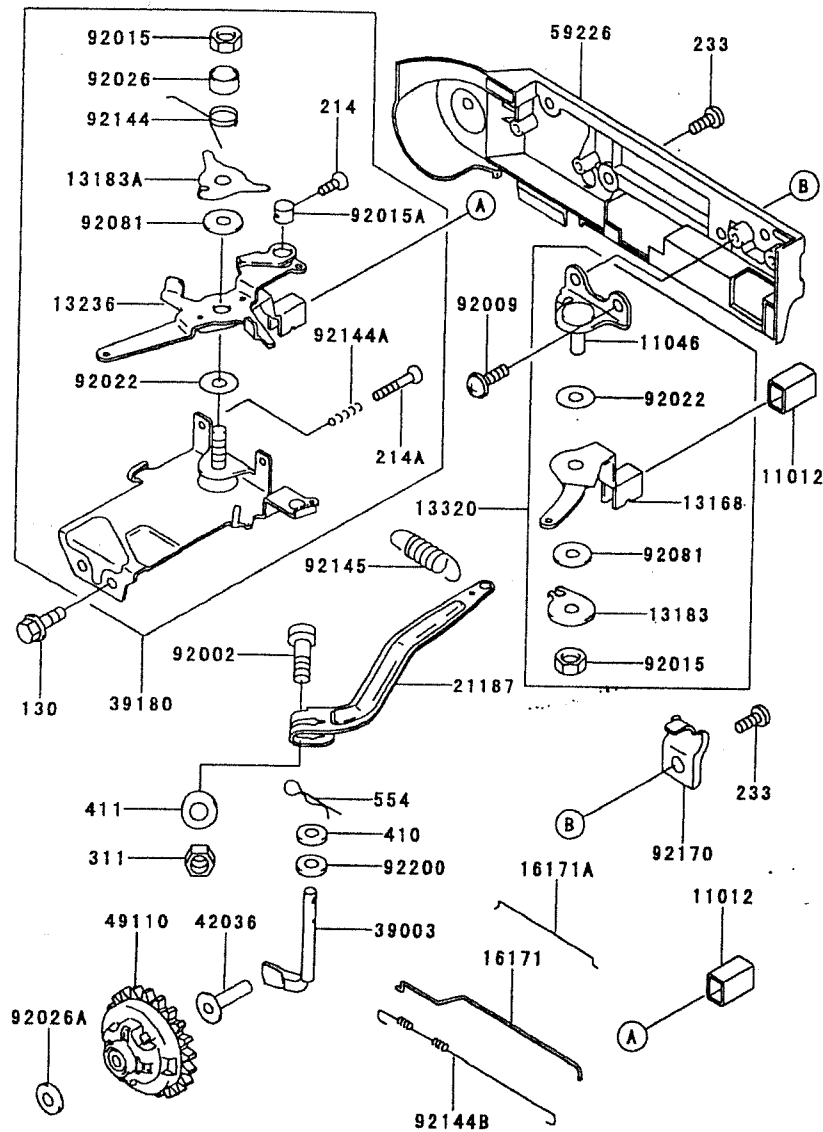
FE290D- □ G80

07

This fig. covers:

CONTROL-EQUIPMENT

E0170-A021G



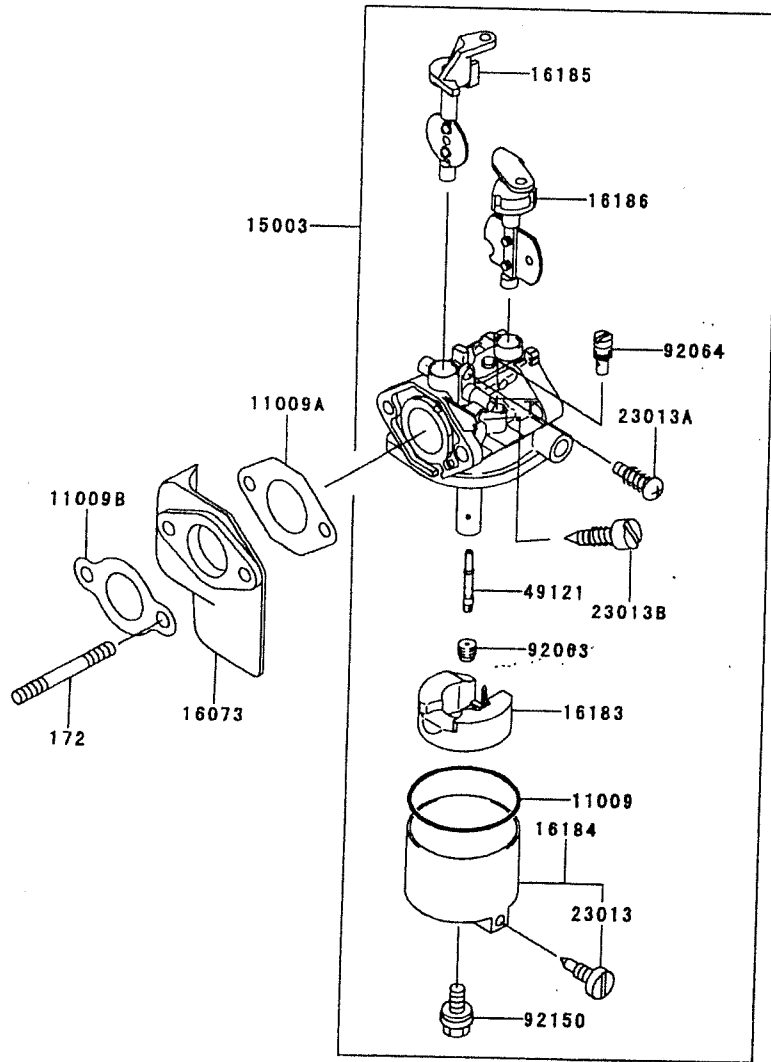
Ref. No.	Part No.	Description	Quantity
			A
11012	11012-2282	CAP	2
11046	11046-2143	BRACKET	1
13168	13168-2314	LEVER	1
13183	13183-2334	PLATE	1
13183A	13183-2343	PLATE	1
13236	13236-2116	LEVER-COMP	1
13320	13320-2021	LEVER-ASSY	1
16171	16171-2061	LINK, THROTTLE	1
16171A	16171-2062	LINK	1
21187	21187-2061	ARM-ASSY	1
39003	39003-2076	ARM-PIVOT	1
39180	39180-2643	PANEL-ASSY-CONTROL	1
42036	42036-2060	SLEEVE	1
49110	49110-2069	GOVERNOR-ASSY	1
59226	59226-2229	PANEL-CONTROL	1
92002	92002-2269	BOLT	1
92009	92009-2203	SCREW	2
92015	92015-2051	NUT	2
92015A	92015-2120	NUT	1
92022	92022-2103	WASHER	2
92026	92026-2304	SPACER	1
92026A	92200-2036	SPACER	1
92081	92081-2104	SPRING	2
92144	92144-2257	SPRING	1
92144A	92144-2266	SPRING	2
92144B	92144-2340	SPRING	1
92145	92145-2054	SPRING	1
92170	92170-2035	CLAMP	1
92200	92200-2029	WASHER, 6.5X11.5X2.0	1
130	130G0612	BOLT-FLANGED	2
214	214B0408	SCREW-PAN+	1
214A	214B0422	SCREW-PAN+	2
233	233C0514	SCREW-PAN-WP+	4
311	311B0600	NUT-HEX	1
410	410B0600	W-PLAIN-S	1
411	411B0600	WASHER-PLAIN	1
554	554A0600	PIN-SNAP	1

This catalog covers:
FE290D- □ G80

08

This fig. covers:
CARBURETOR

E0180-A455A



Ref. No.	Part No.	Description	Quantity
11009	11009-2919	GASKET	1
11009A	11009-2928	GASKET,CARBURETOR	1
11009B	11009-2939	GASKET,INSULATOR	1
15003	15003-2385	CARBURETOR-ASSY	1
16073	16073-2154	INSULATOR	1
16183	16183-2005	FLOAT-ASSY	1
16184	16184-2002	CHAMBER-ASSY-FLOAT	1
16185	16185-2008	VALVE-ASSY-THROTTLE	1
16186	16186-2018	VALVE-ASSY-CHOKE	1
23013	23013-2053	SCREW-ASSY	1
23013A	23013-2054	SCREW-ASSY	1
23013B	23013-2055	SCREW-ASSY	1
49121	49121-2193	NOZZLE-MAIN	1
92063	92063-2243	JET-MAIN,#90	1
92064	92064-2083	JET-PILOT,#45	1
92150	92150-2209	BOLT	1
172	172G0675	BOLT-STUD	2

This catalog covers:

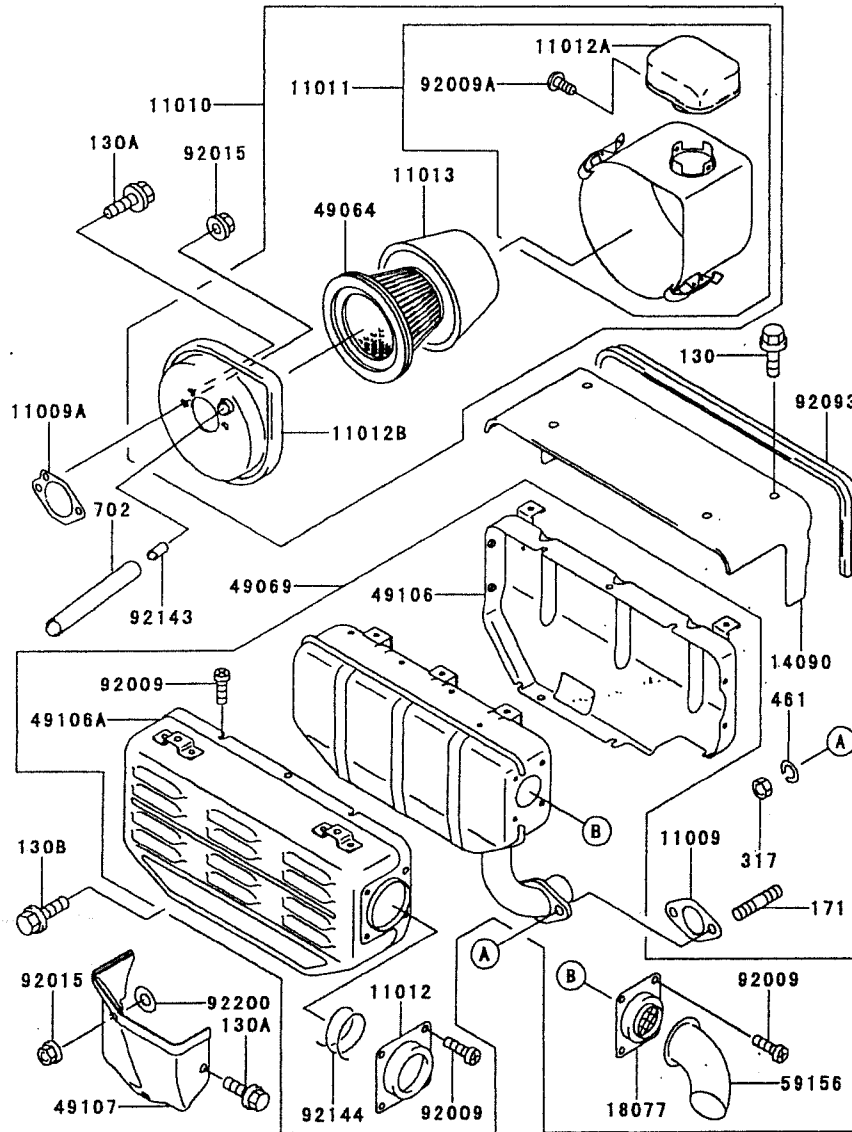
FE290D- □ G80

09

This fig. covers:

AIR-FILTER/MUFFLER

E0190-A486A



Ref. No.	Part No.	Description	Quantity
11009	11009-2487	GASKET,MUFFLER	1
11009A	11009-2925	GASKET,AIR FILTER	1
11010	11010-2474-9H	FILTER-ASSY-AIR	1
11011	11011-2247-9H	CASE-AIR FILTER	1
11012	11012-2322-9X	CAP	1
11012A	11012-2357	CAP,AIR FILTER	1
11012B	11012-2358	CAP,AIR FILTER	1
11013	11013-2159	ELEMENT-AIR FILTER	1
14090	14090-2019-9H	COVER	1
18077	18077-2094	ARRESTER-SPARK	1
49064	49064-2077	FILTER-AIR	1
49069	49069-2275	MUFFLER-ASSY	1
49106	49106-2514-9X	COVER-MUFFLER	1
49106A	49106-2549-9X	COVER-MUFFLER	1
49107	49107-2140-9H	COVER-EXHAUST PIPE	1
59156	59156-2230-9Y	PIPE-TAIL	1
92009	92009-2322	SCREW	15
92009A	92009-2388	SCREW	2
92015	92015-1193	NUT	3
92093	92093-2094	SEAL	1
92143	92143-2207	COLLAR,6.0X8.0X25	1
92144	92144-2262	SPRING	1
92200	92200-2070	WASHER	1
130	130B0508	BOLT-FLANGED	4
130A	130G0612	BOLT-FLANGED	3
130B	130G0816	BOLT-FLANGED	1
171	171G0820	BOLT-STUD	2
317	317R0800	NUT-HEX-SMALL	2
461	461F0800	WASHER-SPRING	2
702	702A081000	TUBE-RUBBER	1

This catalog covers:

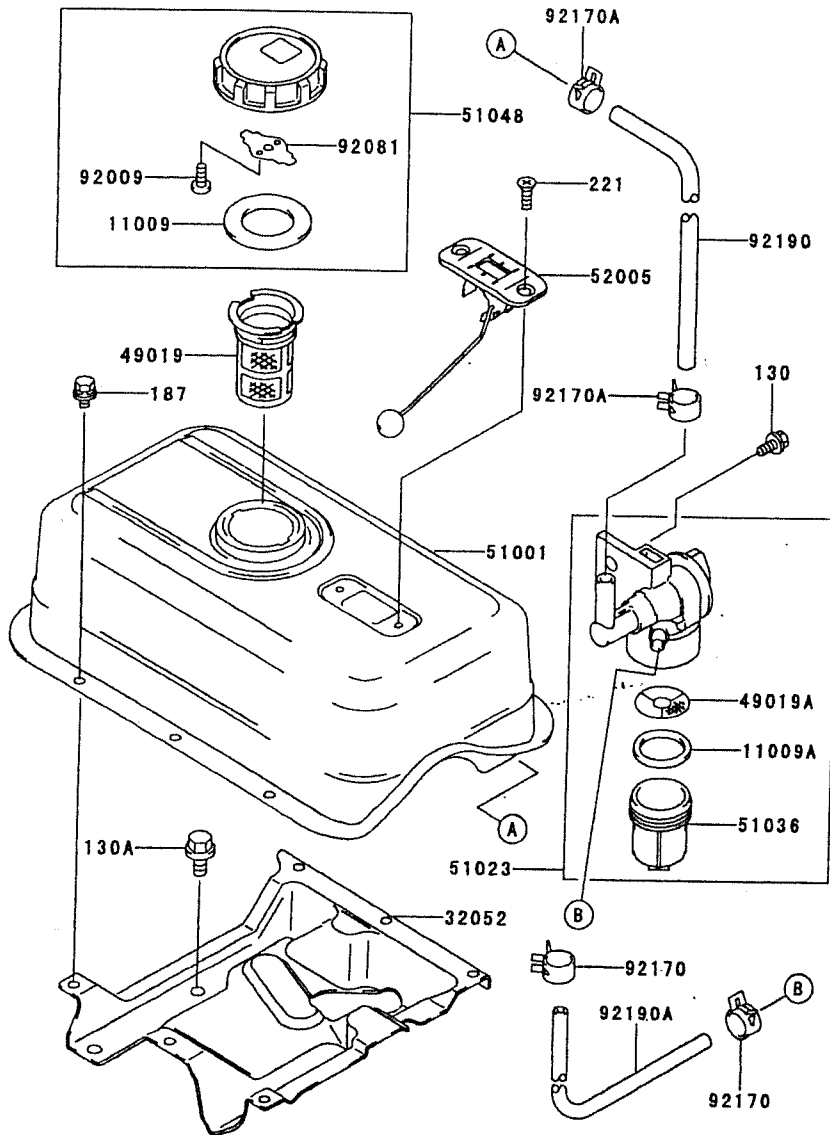
FE290D- □ G80

10

This fig. covers:

FUEL-TANK/FUEL-VALVE

E0200-A003E



Ref. No.	Part No.	Description	Quantity
11009	11009-2115	GASKET	1
11009A	11009-2876	GASKET,FUEL TAP	1
32052	32052-2199-9H	BRACKET-TANK	1
49019	49019-2051	FILTER-FUEL	1
49019A	49019-2095	FILTER-FUEL	1
51001	51001-2222-9H	TANK-COMP-FUEL	1
51023	51023-2148	TAP-ASSY	1
51036	51036-2071	CUP,FUEL TAP	1
51048	51048-2055	CAP-ASSY-TANK	1
52005	52005-2100	GAUGE	1
92009	92009-2021	SCREW	2
92081	92081-2036	SPRING	1
92170	92170-2042	CLAMP	2
92170A	92170-2082	CLAMP	2
92190	92190-2073	TUBE,7X12X205	1
92190A	92190-2118	TUBE,6X10X120	1
130	130G0612	BOLT-FLANGED	1
130A	130G0816	BOLT-FLANGED	4
187	187J0612	BOLT-UPSET-WSP	6
221	221C0512	SCREW-CSK-CROS	2

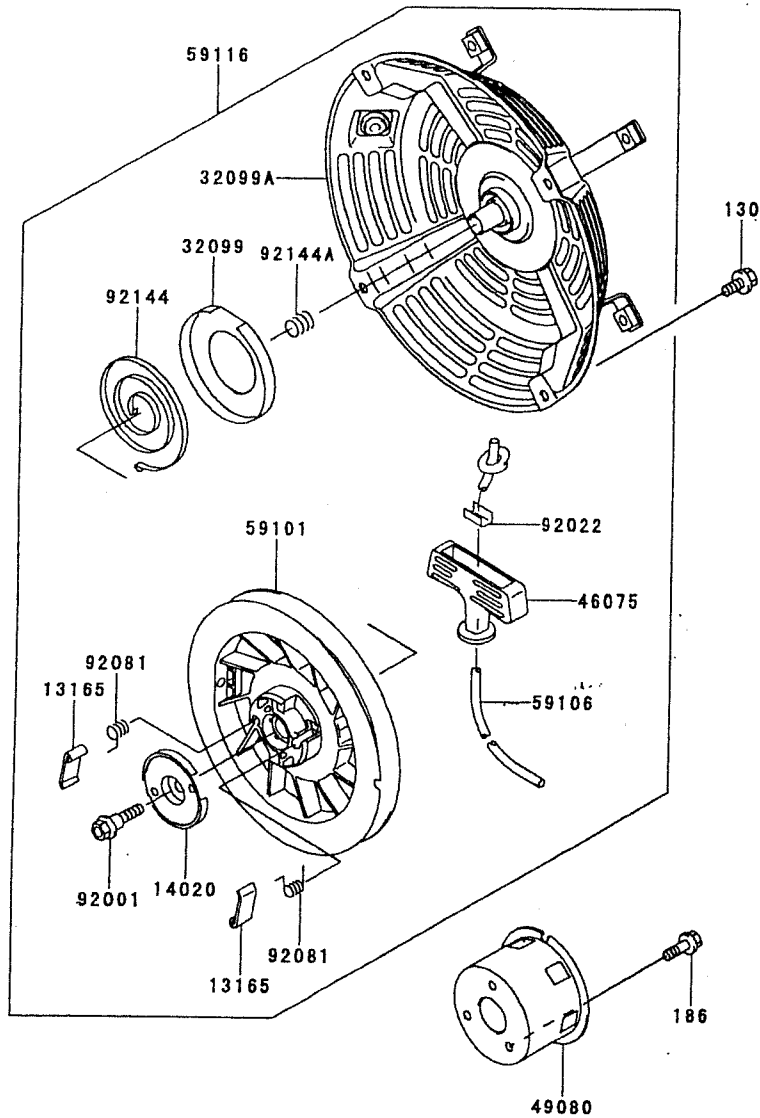
This catalog covers:

FE290D- □ G80

This fig. covers:

11 STARTER

E0210-A238A



Ref. No.	Part No.	Description	Quantity
13165	13165-2073	PAWL, RECOIL STARTER	2
14020	14020-2094	RETAINER, RECOIL STARTER	1
32099	32099-2193	CASE, SPRING	1
32099A	32099-2355-YK	CASE, RECOIL STARTER	1
46075	46075-2092	GRIP, RECOIL STARTER	1
49080	49080-2154	PULLEY-STARTING	1
59101	59101-2092	REEL, RECOIL STARTER	1
59106	59106-2099	ROPE, 4.5X1550	1
59116	59116-2344-YK	STARTER-ASSY-RECOIL	1
92001	92001-2027	BOLT	1
92022	92022-2248	WASHER	1
92081	92081-2021	SPRING	2
92144	92144-2055	SPRING, RECOIL	1
92144A	92144-2212	SPRING	1
130	130G0612	BOLT-FLANGED	4
186	186B0610	BOLT-UPSET-WP	3

This catalog covers:

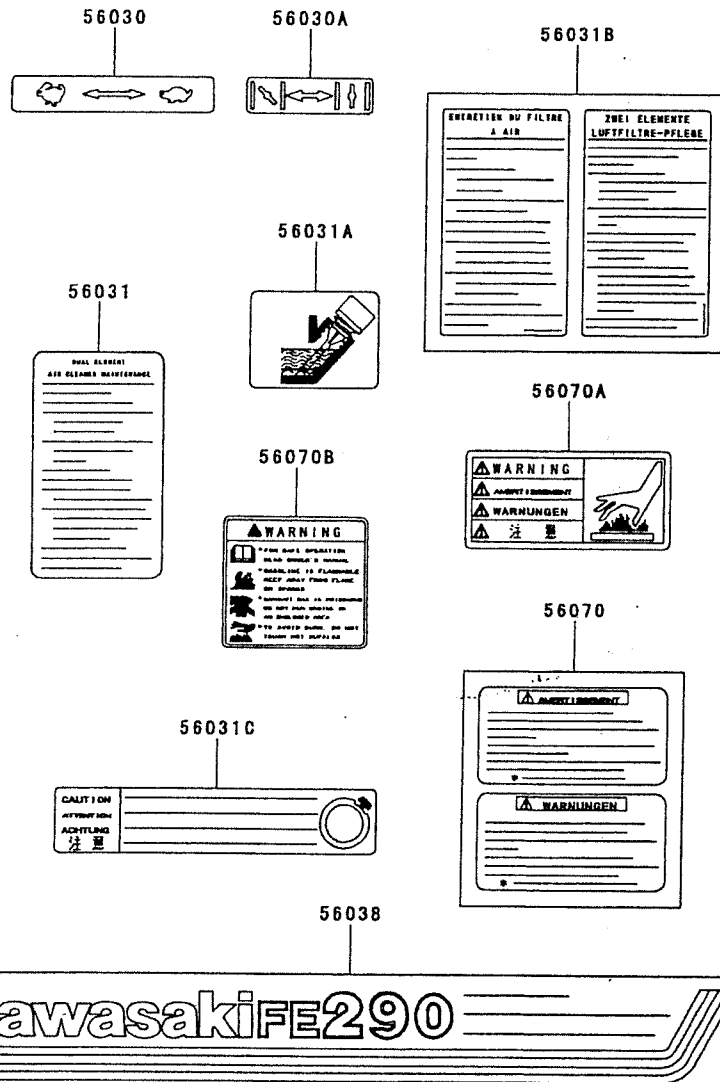
FE290D- □ G80

12

This fig. covers:

LABEL

F0290-A856A



Ref. No.	Part No.	Description	Quantity
56030	56030-2385	LABEL, THROTTLE	1
56030A	56030-2386	LABEL, CHOKE	1
56031	56031-2387	LABEL-MANUAL	1
56031A	56031-2458	LABEL-MANUAL	1
56031B	56031-2461	LABEL-MANUAL	1
56031C	56031-2465	LABEL-MANUAL	1
56038	56038-2671	LABEL-BRAND	1
56070	56070-2003	LABEL-WARNING	1
56070A	56070-2010	LABEL-WARNING	1
56070B	56070-2066	LABEL-WARNING	1

This catalog covers:

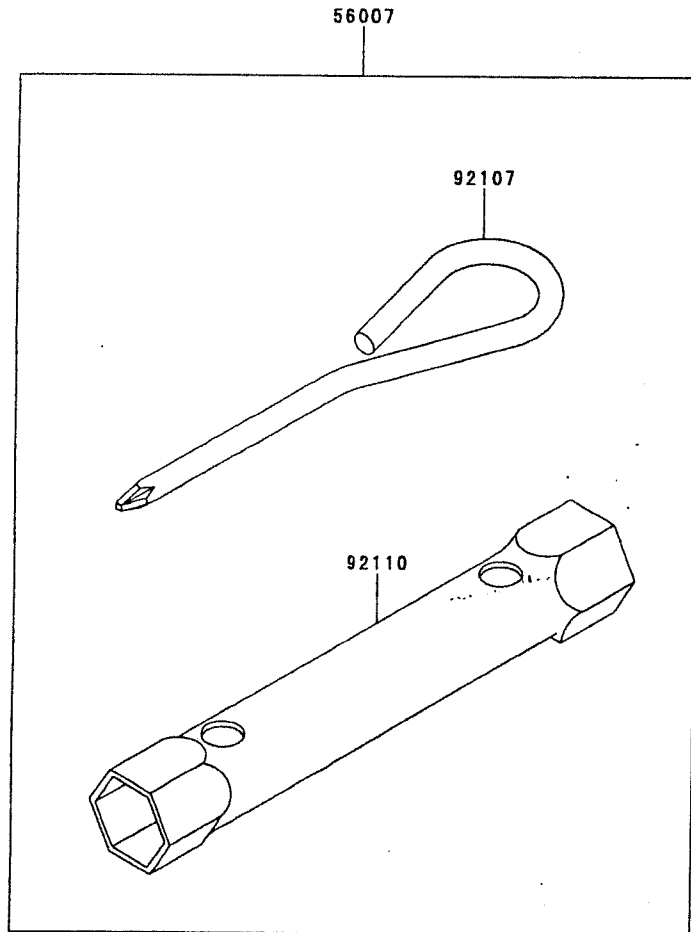
FE290D- □ G80

This fig. covers:

13 TOOL

F0300-A001A

Ref. No.	Part No.	Description	Quantity
56007	56007-2051	TOOLKIT	1
92107	92107-2057	TOOL-DRIVER	1
92110	92110-2051	TOOL-WRENCH, 19X21	1



This catalog covers:

FE290D- □ G80

This fig. covers:

NUMERICAL PARTS INDEX

Part No.	Fig No.	Part No.	Fig No.	Part No.	Fig No.	Part No.	Fig No.	Part No.	Fig No.
11003-2089	04	13183-2334	07	42036-2060	07	92004-2083	01	92143-2207	09
11004-2138	01	13183-2343	07	46075-2092	11	92009-1109	03	92144-2055	11
11008-2128	01	13183-2407	06	46102-6004	02	92009-2021	10	92144-2202	04
11009-2115	10	13183-2483	05	461F0800	09	92009-2203	07	92144-2212	11
11009-2175	04	13236-2116	07	464H0800	06	92009-2243	05	92144-2257	07
11009-2487	09	13251-6034	02	482J0100	03	92009-2308	01	92144-2262	09
11009-2828	04	13251-6056	02	49002-2090	01	92009-2308	06	92144-2266	07
11009-2829	01	13271-2170	01	49002-2101	01	92009-2322	09	92144-2323	03
11009-2876	10	132G0612	04	49015-6238	01	92009-2388	09	92144-2340	07
11009-2919	08	13320-2021	07	49016-2082	05	92015-1137	03	92145-2054	07
11009-2925	09	14020-2094	11	49019-2051	10	92015-1193	02	92150-2145	01
11009-2928	08	14024-2228	04	49019-2095	10	92015-1193	09	92150-2197	05
11009-2939	08	14024-2234	06	49064-2077	09	92015-2051	07	92150-2209	08
11010-2474-9H	09	14090-2019-9H	09	49065-2068	04	92015-2120	07	92150-2252	01
11011-2247-9H	09	15003-2385	08	49069-2275	09	92022-2103	07	92150-2264	05
11012-2282	07	16007-2052	03	49078-2060	03	92022-2205	06	92170-2016	06
11012-2322-9X	09	16073-2154	08	49080-2154	11	92022-2248	11	92170-2017	06
11012-2357	09	16082-2062	04	49089-2309-9H	05	92022-2397	03	92170-2035	07
11012-2358	09	16115-2079	04	49089-2317-9H	05	92025-2168	02	92170-2042	10
11013-2159	09	16126-2107	01	49089-2318-9H	05	92025-2169	02	92170-2082	10
11022-6001	01	16142-2062	04	49106-2514-9X	09	92025-2170	02	92190-2042	05
11046-2143	07	16146-2193	05	49106-2549-9X	09	92025-2171	02	92190-2073	10
11060-2122	01	16154-2054	04	49107-2140-9H	09	92025-2172	02	92190-2118	10
12004-2084	03	16171-2061	07	49110-2069	07	92025-2173	02	92200-2029	07
12005-2077	03	16171-2062	07	49118-2121	03	92025-2174	02	92200-2036	07
12009-2060	03	16183-2005	08	49120-2278	01	92025-2175	02	92200-2070	09
12011-2052	03	16184-2002	08	49121-2193	08	92025-2207	02		
12016-2058	03	16185-2008	08	51001-2222-9H	10	92026-2052	02		
12020-2060	03	16186-2018	08	51023-2148	10	92026-2304	07		
12032-2060	03	171G0820	09	51036-2071	10	92036-008	02		
13001-2125	02	172G0675	08	51048-2055	10	92036-023	01		
13002-2069	02	18077-2094	09	510A5100	02	92037-2006	06		
13008-6007	02	186B0610	11	510A5100	06	92043-1037	01		
13025-2073	02	187J0612	10	52005-2100	10	92043-1263	01		
13025-2074	02	21118-2088	03	554A0600	07	92043-2113	03		
13029-2100	02	21160-2051	06	56007-2051	13	92045-2168	01		
13029-2101	02	21171-2207	06	56030-2385	12	92049-2097	01		
13031-2068	02	21187-2061	07	56030-2386	12	92049-2100	03		
13042-6009	02	21193-2161	06	56031-2387	12	92049-2199	01		
130B0508	04	214B0408	07	56031-2458	12	92049-2220	01		
130B0508	09	214B0422	07	56031-2461	12	92055-1343	01		
130B0525	06	221C0512	10	56031-2465	12	92055-2063	04		
130G0610	06	23013-2053	08	56038-2671	12	92055-2072	02		
130G0612	05	23013-2054	08	56070-2003	12	92055-2185	04		
130G0612	07	23013-2055	08	56070-2010	12	92059-2011	06		
130G0612	09	233C0514	07	56070-2066	12	92063-2243	08		
130G0612	10	26011-2266	06	59041-2082	06	92064-2083	08		
130G0612	11	26011-2359	06	59051-2097	02	92066-2203	04		
130G0620	04	27010-2066	06	59056-2993	02	92066-2211	04		
130G0812	01	311B0600	07	59066-2538-9H	05	92070-2077	06		
130G0816	09	314G1600	06	59101-2092	11	92071-2008	06		
130G0816	10	317R0800	09	59106-2099	11	92071-2112	06		
130T0845	01	318B0800	06	59116-2344-YK	11	92071-2125	06		
13107-2088	02	32052-2199-9H	10	59156-2230-9Y	09	92081-2021	11		
13116-2054	03	32099-2193	11	59226-2229	07	92081-2036	10		
13165-2073	11	32099-2355-YK	11	600A1000	04	92081-2104	07		
13168-2314	07	39003-2076	07	702A081000	09	92093-2094	09		
13183-2295	04	39180-2643	07	92001-2027	11	92107-2057	13		
13183-2298	04	410B0600	07	92002-2053	02	92110-2051	13		
13183-2299	01	411B0600	07	92002-2269	07	92141-2090	02		

MOTEUR

Révision 27 septembre 2005

This catalog covers:
FE250D-□G81

This fig. covers:
TITLE

PARTS CATALOG

4-STROKE ENGINE

FE250D

PRODUCT CODE	NOTE
FE250D-AG81	TILLER (GR683)
FE250D-BG81	

PARTS CATALOG INTRODUCTION

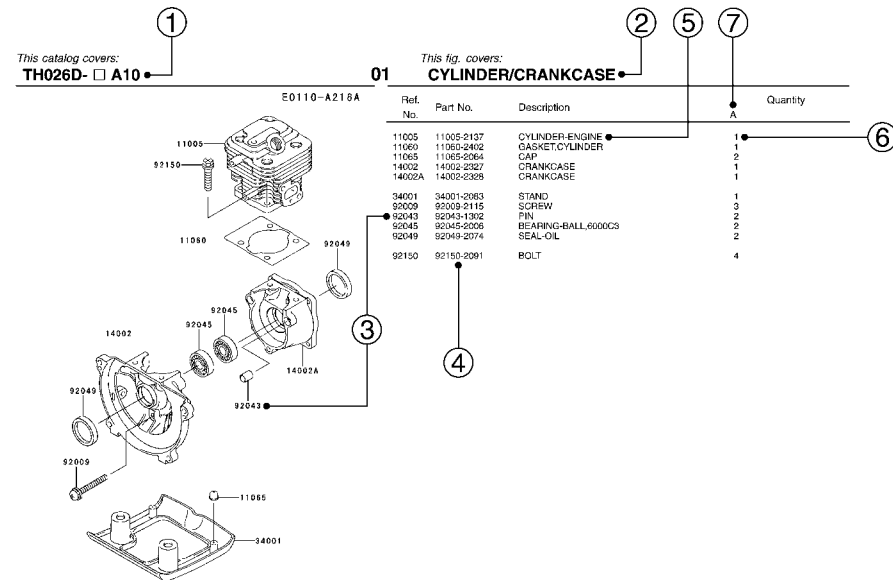
This parts catalog lists parts and sub-assemblies provided as service parts.

When it becomes necessary to replace parts, always use KAWASAKI GENUINE PARTS which have passed strict inspection which guarantees quality and performance.

1. HOW TO ORDER PARTS

- When ordering the parts, be sure to use the parts catalog corresponding to the product code. Check the product revision codes on the product and the catalog.
Product Code (example) : FA130D-AA00
Product Revision Code
- Specify the part code (all digits) exactly as listed in this catalog on your parts order.
- The parts not shown in the illustrations of this catalog are not sold separately; only the complete units or next higher assemblies illustrated are supplied as the service parts.

2. EXPLANATION OF PARTS CATALOG FORMAT



1) Product Code

This code describes the product code covered by this catalog. The product revision code, which is a part of the product code, is omitted.

2) Part Group Title

This title is the representative name for the group of parts illustrated on the page.

3) Reference Number

The reference numbers are shown on the illustration and the list as the link between them.

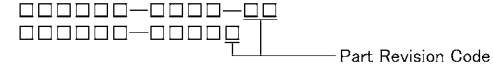
PARTS LIST INFORMATION

4) Part Number

This is the key of your parts ordering.

Three kinds of part number are used in this catalog.

a. Structure 1

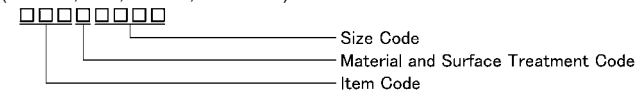


b. Structure 2



c. Standard Hardware Number

(for bolts, nuts, washer, or the like)



5) Description and Additional Information

The part name, the location, the size, and the serial number as additional information, etc. are described here. Use them to find out and check the part required.

When a part number is changed without change of the product revision code and the changed parts are not interchangeable, the serial number of the product is noted as follows;

- (FA130 - 100001) : Affected units are from beginning of the product of the product code up to and including this serial number.
- (FA130 - 100002 -) : Affected units are from this serial number and above.
- (FA130 - 100002 - FA130 - 110001) : Affected units are in this serial number range.

6) Quantity

The figure shows quantity of the part required at the indicated position on the illustration and for the specified product revision code.

The asterisk (*) on this column means the part can be used as the substitute on the product and is supplied until the stock is exhausted.

Note:Some small parts will be supplied by units.

Example: If six (6) bolts are ordered and the minimum quantity per unit is five (5), two (2), units of the bolt will be delivered.

7) Product Revision Code

This Code indicates an important change which affects the service parts interchangeability.

3. ABBREVIATIONS

#.....Number	FR.....Front	RH.....Right Hand
&.....And	G.....Gram	RPM.....Revolutions Per Minute
(+).....Plus	HEX.....Hexagonal	RR.....Rear
(-).....Minus	ID=.....Inside Diameter	STD.....Standard
2ND.....Second	IN.....Inch	T.....Teeth
3RD.....Third	L=.....Length	T=.....Thickness
4TH.....Fourth	LH.....Left Hand	U/S.....Under Size
A.....Ampere	LWR.....Lower	UPP.....Upper
AR.....As Required	MM.....Millimeter	V.....Volt
ASSY.....Assembly	O/S.....Over Size	W.....Watt
CNT.....Center	OD=.....Outside Diameter	
COMP.....Complete	REF.....Reference	

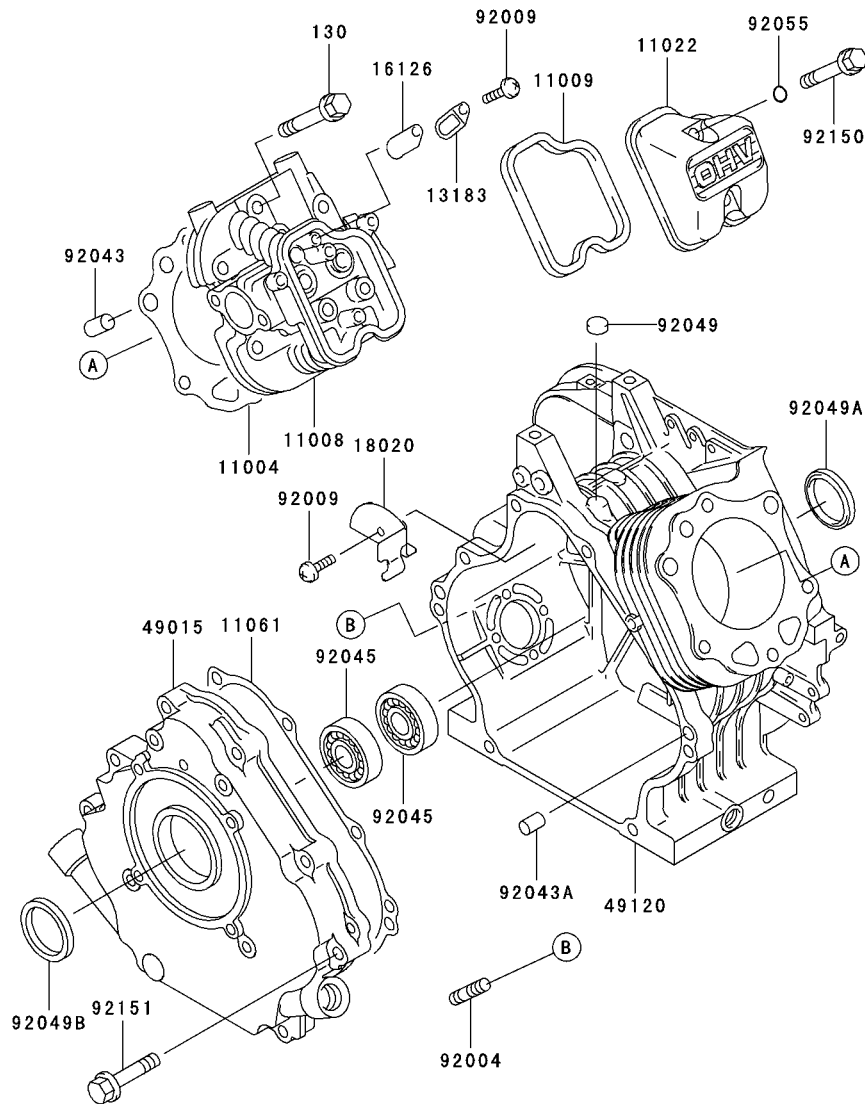
This catalog covers:

FE250D- □ G81

This fig. covers:

01 CYLINDER/CRANKCASE

E0110-A025K



Ref. No.	Part No.	Description	Quantity	
			A	B
11004	11004-2106	GASKET-HEAD	1	1
11008	11008-2086	HEAD-COMP-CYLINDER	1	1
11009	11009-2923	GASKET,ROCKER CASE	1	1
11022	11022-6002	CASE-ROCKER	1	1
11061	11061-2069	GASKET	1	1
13183	13183-2299	PLATE	1	1
16126	16126-2107	VALVE	1	1
18020	18020-2073	BAFFLE	1	1
49015	49015-6135	COVER-CRANKCASE	1	1
49120	49120-2224	CRANKCASE-COMP	1	1
92004	92004-2083	STUD,6X14	4	4
92009	92009-2308	SCREW	2	2
92043	92043-1037	PIN	2	2
92043A	92043-1263	PIN	2	2
92045	92045-2188	BEARING-BALL,6206CM	2	2
92049	92049-2097	SEAL-OIL	1	1
92049A	92049-2199	SEAL-OIL	1	1
92049B	92049-2220	SEAL-OIL	1	1
92055	92055-1343	RING-O	2	2
92150	92150-2145	BOLT,6X35	2	2
92151	92151-2130	BOLT,8X40	8	8
130	130T0845	BOLT-FLANGED	6	6

This catalog covers:

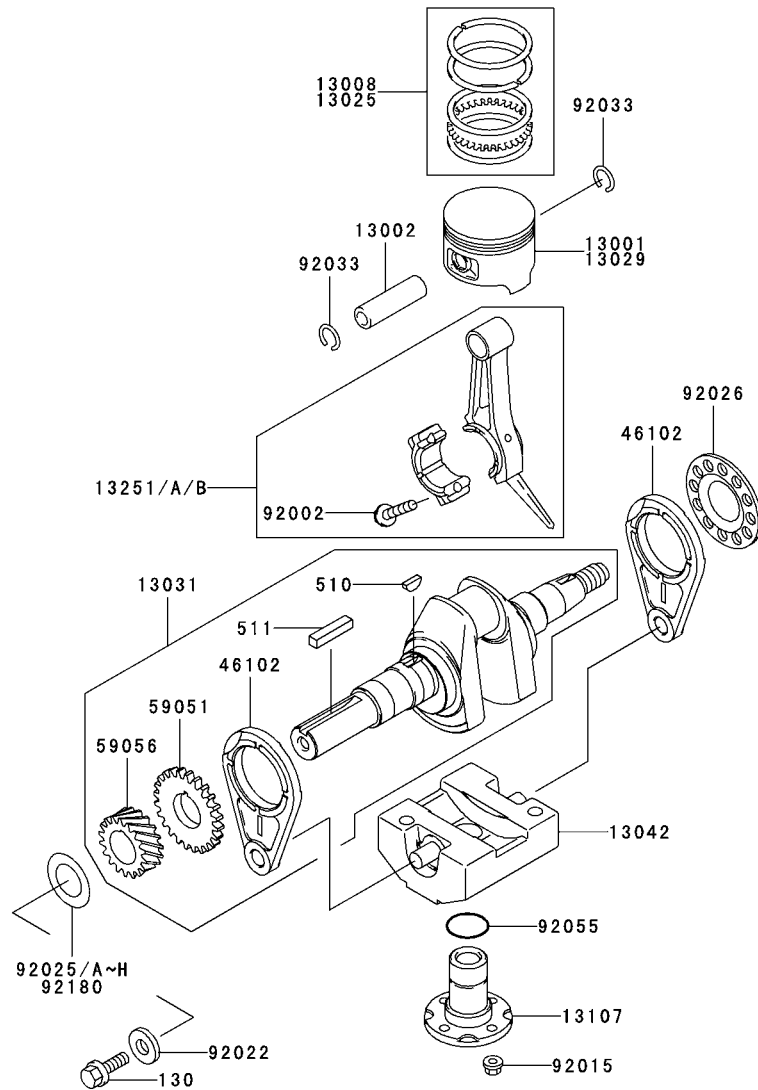
FE250D- □ G81

02

This fig. covers:

PISTON/CRANKSHAFT

E0120-A145C



Ref. No.	Part No.	Description	Quantity	
			A	B
13001	13001-2128	PISTON-ENGINE	1	1
13002	13002-2077	PIN-PISTON	1	1
13008	13008-2055	RING-SET-PISTON	1	1
13025	13025-2097	RING-SET-PISTON L,0.5	AR	AR
13029	13029-2117	PISTON-ENGINE L,0.5	AR	AR
13031	13031-2056	CRANKSHAFT-COMP	1	1
13042	13042-6012	WEIGHT	1	1
13107	13107-2088	SHAFT	1	1
13251	13251-2078	ROD-ASSY-CONNECTING		1
13251A	13251-6038	ROD-ASSY-CONNECTING	1	
13251B	13251-6038	ROD-ASSY-CONNECTING		*
46102	46102-2075	ROD	2	2
59051	59051-2097	GEAR-SPUR	1	1
59056	59056-2995	GEAR-HELICAL	1	1
92002	92002-2053	BOLT	2	2
92015	92015-1193	NUT	4	4
92022	92022-2116	WASHER	1	1
92025	92025-2168	SHIM,T=1.13	AR	AR
92025A	92025-2169	SHIM,T=1.18	AR	AR
92025B	92025-2170	SHIM,T=1.23	AR	AR
92025C	92025-2171	SHIM,T=1.28	AR	AR
92025D	92025-2172	SHIM,T=1.33	AR	AR
92025E	92025-2173	SHIM,T=1.38	AR	AR
92025F	92025-2174	SHIM,T=1.43	AR	AR
92025G	92025-2175	SHIM,T=1.48	AR	AR
92025H	92025-2207	SHIM,T=1.53	AR	AR
92026	92026-2052	SPACER	1	1
92033	92033-1099	RING-SNAP	2	2
92055	92055-2072	RING-O	1	1
92180	92180-2027	SHIM	AR	AR
130	130G0825	BOLT-FLANGED	1	1
510	510A5100	KEY-WOODRUFF	1	1
511	511A0735	KEY-SUNK	1	1

This catalog covers:

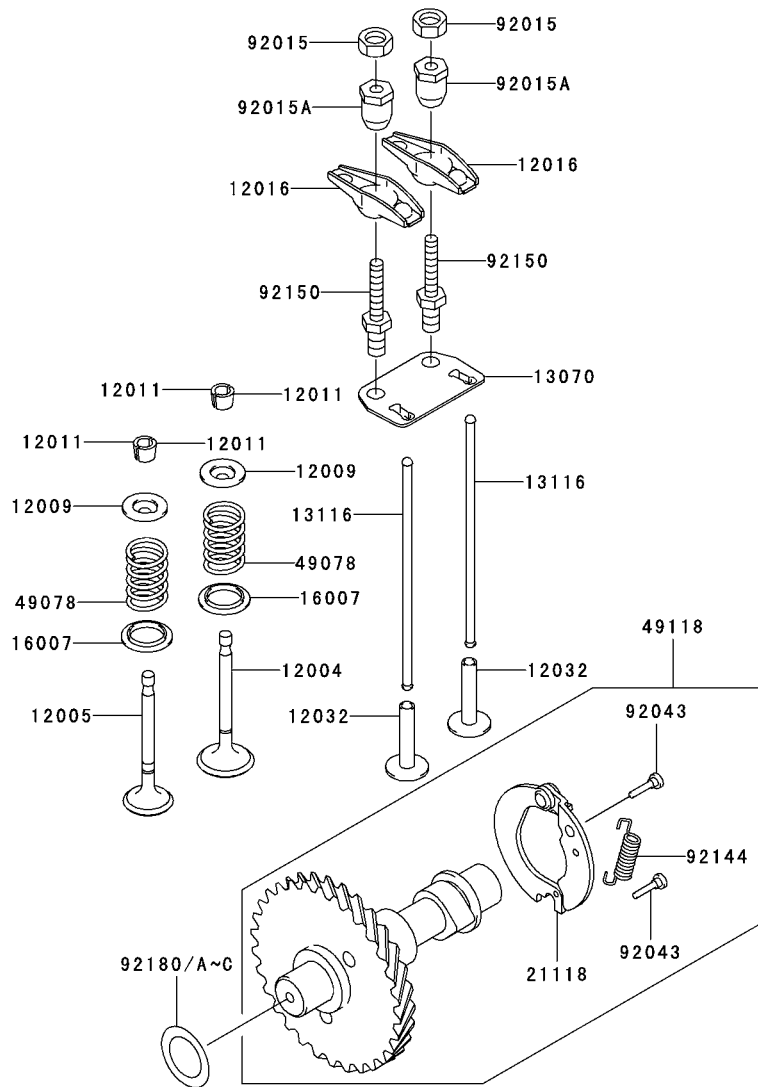
FE250D- □ G81

03

This fig. covers:

VALVE/CAMSHAFT

E0130-A011F



Ref. No.	Part No.	Description	Quantity	
			A	B
12004	12004-2093	VALVE-INTAKE	1	1
12005	12005-2081	VALVE-EXHAUST	1	1
12009	12009-2066	RETAINER-VALVE SPRING	2	2
12011	12011-2056	COLLET	4	4
12016	12016-2060	ARM-ROCKER	2	2
12032	12032-2060	TAPPET	2	2
13070	13070-2086	GUIDE	1	1
13116	13116-2071	ROD-PUSH	2	2
16007	16007-2072	SEAT-SPRING	2	2
21118	21118-2087	DECOMPRESSOR	1	1
49078	49078-2067	SPRING-ENGINE VALVE	2	2
49118	49118-2108	CAMSHAFT-COMP	1	1
92015	92015-2240	NUT	2	2
92015A	92015-2253	NUT	2	2
92043	92043-2113	PIN	2	2
92144	92144-2323	SPRING	1	1
92150	92150-2198	BOLT	2	2
92180	92180-2010	SHIM,T=0.3	AR	AR
92180A	92180-2011	SHIM,T=0.4	AR	AR
92180B	92180-2012	SHIM,T=0.5	AR	AR
92180C	92180-2062	SHIM,T=0.2	AR	AR

This catalog covers:

FE250D- □ G81

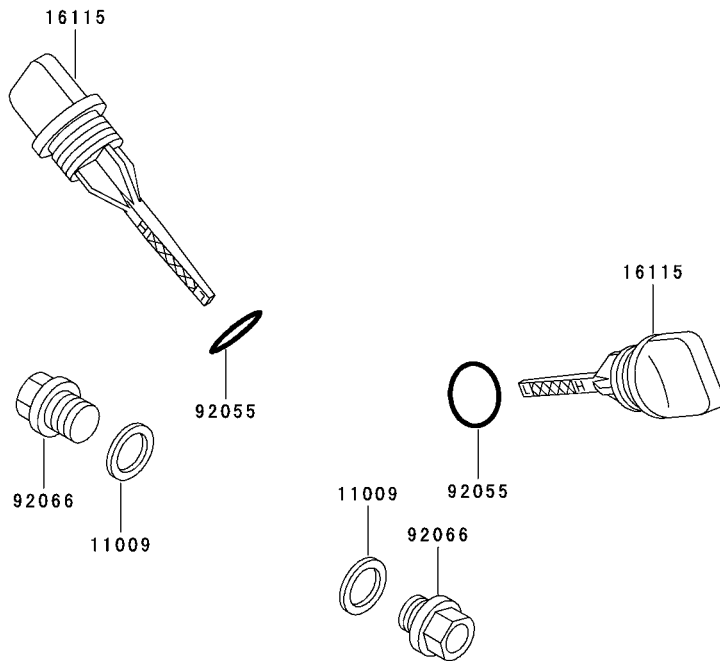
04

This fig. covers:

LUBRICATION-EQUIPMENT

E0140-A007A

Ref. No.	Part No.	Description	Quantity	
			A	B
11009	11009-2175	GASKET,14.2X19X2	2	2
16115	16115-2079	CAP-OIL FILLER	2	2
92055	92055-2185	RING-O,20MM	2	2
92066	92066-2203	PLUG,DRAIN	2	2



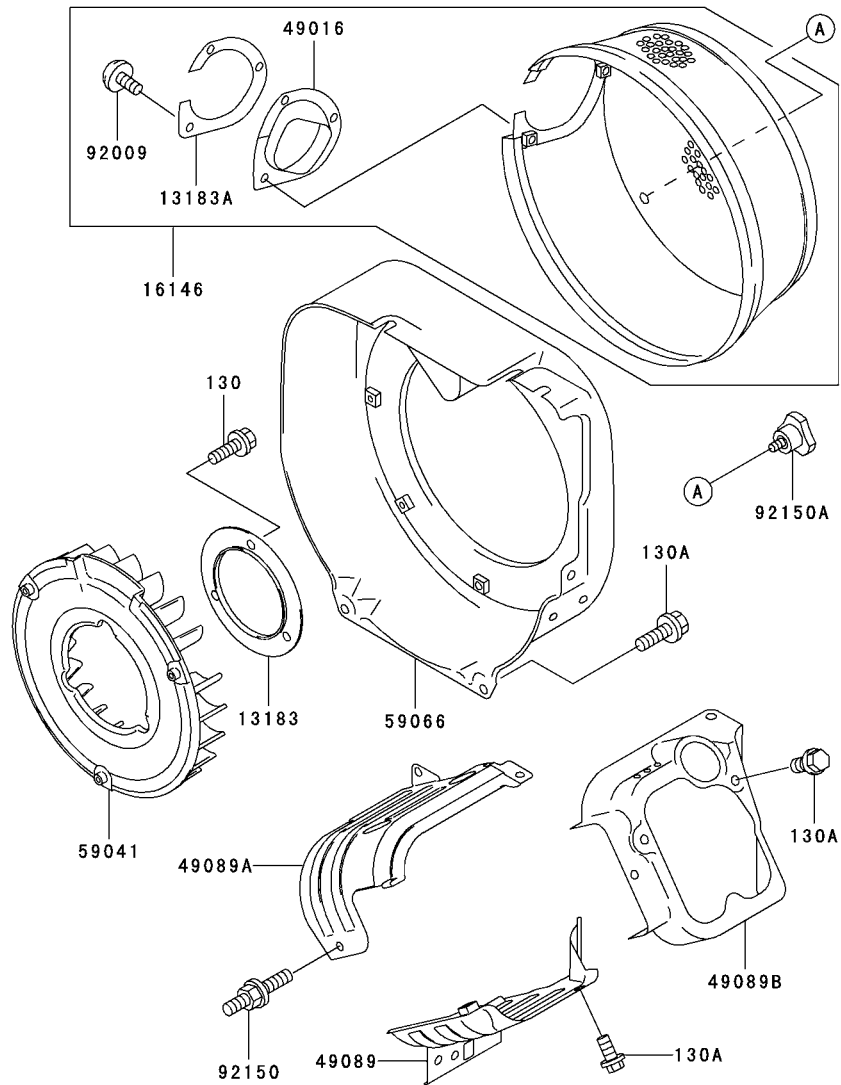
This catalog covers:

FE250D- □ G81

This fig. covers:

05 COOLING-EQUIPMENT

E0150-A285C



Ref. No.	Part No.	Description	Quantity	
			A	B
13183	13183-2407	PLATE	1	1
13183A	13183-2483	PLATE	1	1
16146	16146-2193	COVER-ASSY	1	1
49016	49016-2082	COVER-SEAL	1	1
49089	49089-2326-9H	SHROUD-ENGINE	1	1
49089A	49089-2328-9H	SHROUD-ENGINE	1	1
49089B	49089-2360-9H	SHROUD-ENGINE	1	1
59041	59041-2072	FAN	1	1
59066	59066-2721-9H	HOUSING-FAN	1	1
92009	92009-2243	SCREW,5X10	3	3
92150	92150-2197	BOLT	1	1
92150A	92150-2264	BOLT	4	4
130	130G0610	BOLT-FLANGED	3	3
130A	130G0612	BOLT-FLANGED	11	11

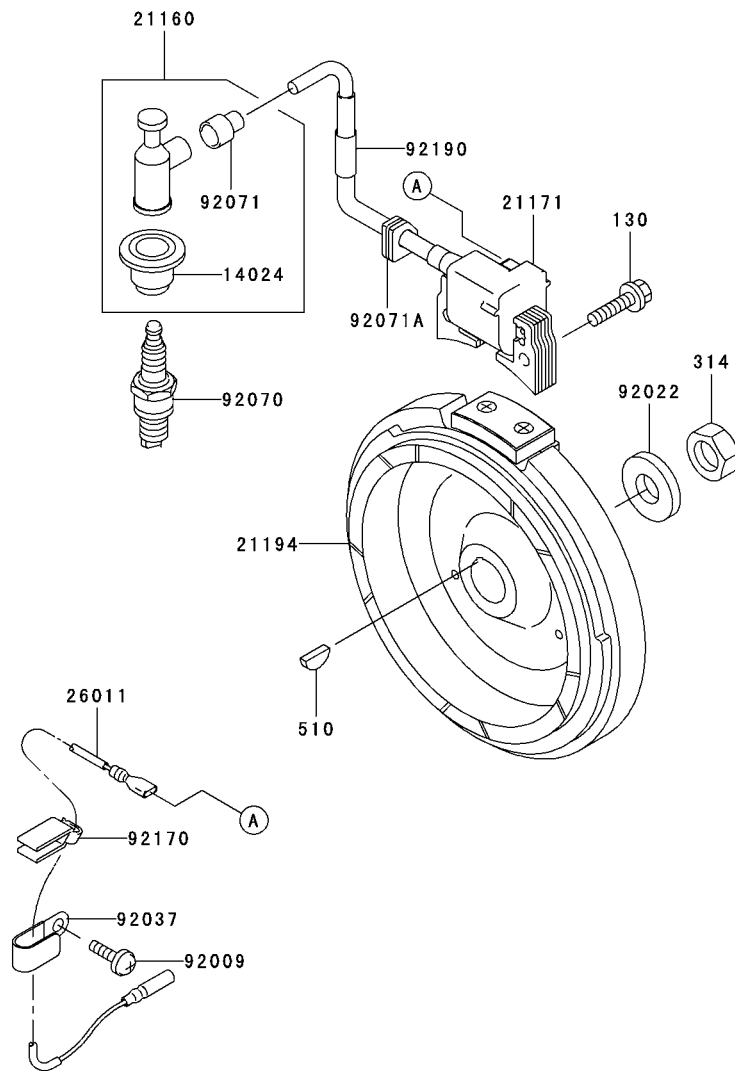
This catalog covers:

FE250D- □ G81

This fig. covers:

06 ELECTRIC-EQUIPMENT

E0160-A568C

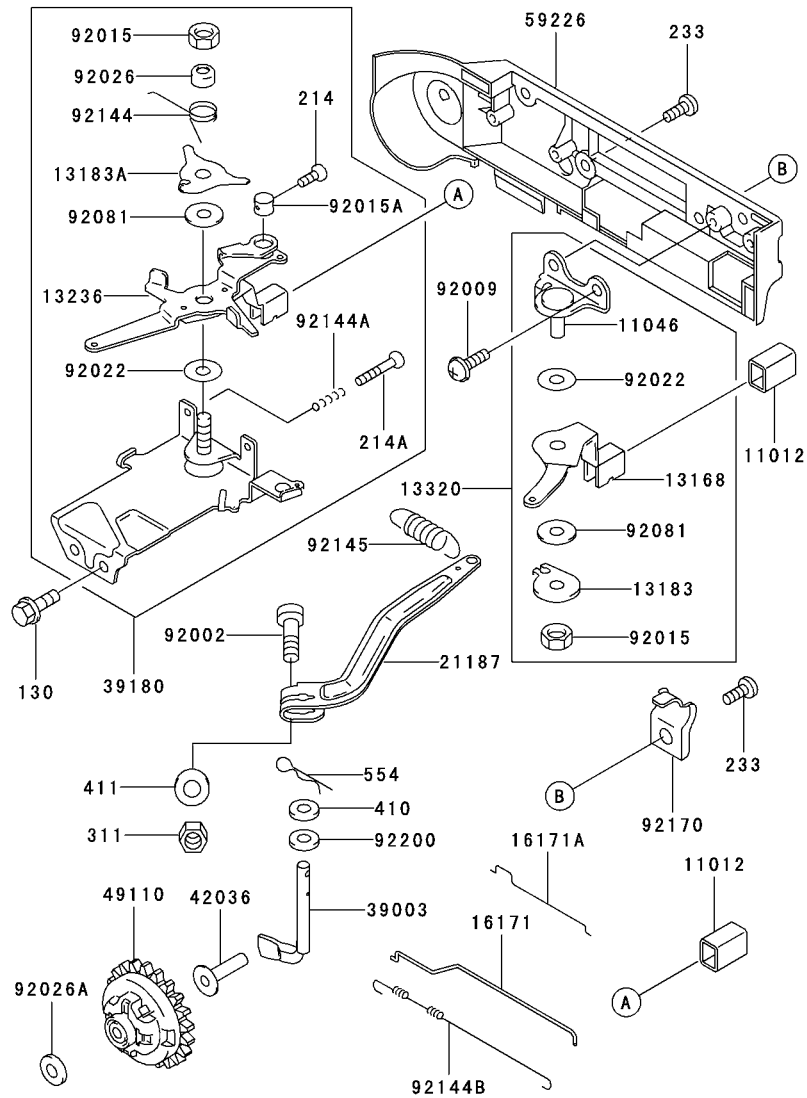


Ref. No.	Part No.	Description	Quantity	
			A	B
14024	14024-2234	COVER	1	1
21160	21160-2051	CAP-ASSY-PLUG	1	1
21171	21171-2206	COIL-ASSY-IGNITION	1	1
21194	21194-2241	FLYWHEEL-COMP	1	1
26011	26011-2334	WIRE-LEAD,L=350	1	1
92009	92009-2308	SCREW	1	1
92022	92022-2205	WASHER	1	1
92037	92037-2171	CLAMP	1	1
92070	92070-2077	PLUG-SPARK,BPR5ES(NGK),SOLID	1	1
92071	92071-2008	GROMMET	1	1
92071A	92071-2112	GROMMET	1	1
92170	92170-2017	CLAMP	1	1
92190	92190-2069	TUBE,7.5X10X35	1	1
130	130B0525	BOLT-FLANGED	2	2
314	314G1600	NUT-HEX-FINE	1	1
510	510A5100	KEY-WOODRUFF	1	1

This catalog covers:
FE250D- □ G81

This fig. covers:
07 CONTROL-EQUIPMENT

E0170-A548A



Ref. No.	Part No.	Description	Quantity	
			A	B
11012	11012-2282	CAP	2	2
11046	11046-2143	BRACKET	1	1
13168	13168-2314	LEVER	1	1
13183	13183-2334	PLATE	1	1
13183A	13183-2343	PLATE	1	1
13236	13236-2116	LEVER-COMP	1	1
13320	13320-2021	LEVER-ASSY	1	1
16171	16171-2063	LINK	1	1
16171A	16171-2064	LINK	1	1
21187	21187-2061	ARM-ASSY	1	1
39003	39003-2076	ARM-PIVOT	1	1
39180	39180-2643	PANEL-ASSY-CONTROL	1	1
42036	42036-2060	SLEEVE	1	1
49110	49110-2069	GOVERNOR-ASSY	1	1
59226	59226-2229	PANEL-CONTROL	1	1
92002	92002-2269	BOLT	1	1
92009	92009-2203	SCREW	2	2
92015	92015-2051	NUT	2	2
92015A	92015-2120	NUT	1	1
92022	92022-2103	WASHER	2	2
92026	92026-2158	SPACER	1	1
92026A	92200-2036	SPACER	1	1
92081	92081-2104	SPRING	2	2
92144	92144-2257	SPRING	1	1
92144A	92144-2266	SPRING	2	2
92144B	92144-2279	SPRING	1	1
92145	92145-2054	SPRING	1	1
92170	92170-2035	CLAMP	1	1
92200	92200-2029	WASHER,6.5X11.5X2.0	1	1
130	130G0612	BOLT-FLANGED	2	2
214	214B0408	SCREW-PAN+-	1	1
214A	214B0422	SCREW-PAN+-	2	2
233	233F0514	SCREW-PAN-WP+-	4	4
311	311B0600	NUT-HEX	1	1
410	410B0600	W-PLAIN-S	1	1
411	411B0600	WASHER-PLAIN	1	1
554	554A0600	PIN-SNAP	1	1

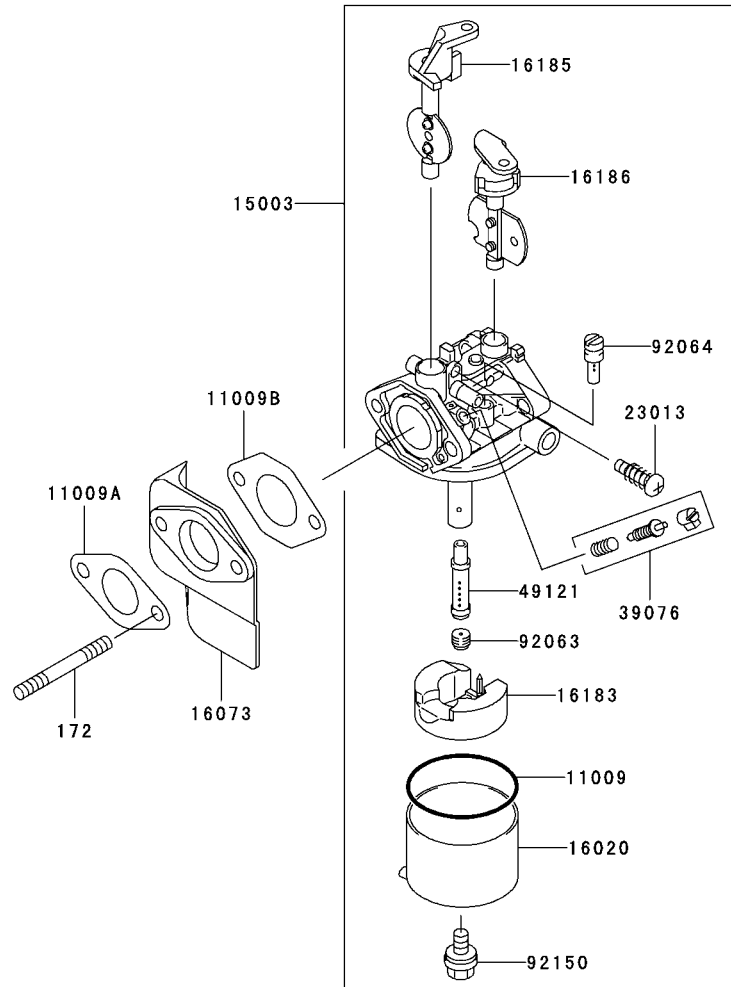
This catalog covers:

FE250D- □ G81

This fig. covers:

08 CARBURETOR

E0180-A667A



Ref. No.	Part No.	Description	Quantity	
			A	B
11009	11009-2919	GASKET	1	1
11009A	11009-2927	GASKET,INSULATOR	1	1
11009B	11009-2928	GASKET,CARBURETOR	1	1
15003	15003-2888	CARBURETOR-ASSY	1	1
16020	16020-2123	CHAMBER-FLOAT	1	1
16073	16073-2150	INSULATOR	1	1
16183	16183-2005	FLOAT-ASSY	1	1
16185	16185-2003	VALVE-ASSY-THROTTLE	1	1
16186	16186-2002	VALVE-ASSY-CHOKE	1	1
23013	23013-2054	SCREW-ASSY	1	1
39076	39076-2055	LIMITER	1	1
49121	49121-2210	NOZZLE-MAIN	1	1
92063	92063-2283	JET-MAIN,#82	1	1
92064	92064-2086	JET-PILOT,#40	1	1
92150	92150-2209	BOLT	1	1
172	172G0677	BOLT-STUD	2	2

This catalog covers:

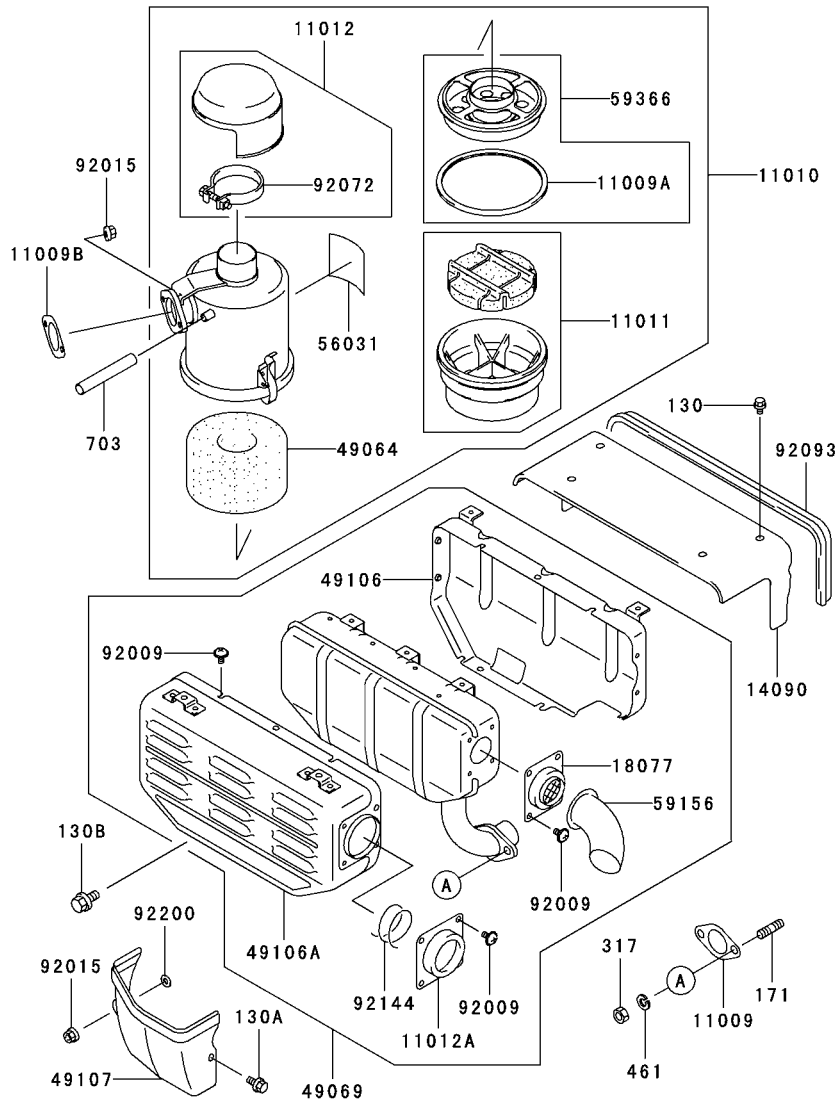
FE250D- □ G81

09

This fig. covers:

AIR-FILTER/MUFFLER

E0190-A396B



Ref. No.	Part No.	Description	Quantity	
			A	B
11009	11009-2487	GASKET,MUFFLER	1	1
11009A	11009-2859	GASKET	1	1
11009B	11009-2925	GASKET,AIR FILTER	1	1
11010	11010-2547-9H	FILTER-ASSY-AIR	1	1
11011	11011-2325	CASE-AIR FILTER	1	1
11012	11012-2135-9H	CAP,AIR FILTER	1	1
11012A	11012-2322-9X	CAP	1	1
14090	14090-2019-9H	COVER	1	1
18077	18077-2094	ARRESTER-SPARK	1	1
49064	49064-2054	FILTER-AIR	1	1
49069	49069-2230	MUFFLER-ASSY	1	1
49106	49106-2514-9X	COVER-MUFFLER	1	1
49106A	49106-2549-9X	COVER-MUFFLER	1	1
49107	49107-2129-9H	COVER-EXHAUST PIPE	1	1
56031	56031-2223	LABEL-MANUAL	1	1
59156	59156-2230-9Y	PIPE-TAIL	1	1
59366	59366-2065	GRATE	1	1
92009	92009-2322	SCREW	15	15
92015	92015-1193	NUT	3	3
92072	92072-2073	BAND	1	1
92093	92093-2094	SEAL	1	1
92144	92144-2262	SPRING	1	1
92200	92200-2070	WASHER	1	1
130	130B0508	BOLT-FLANGED	4	4
130A	130G0612	BOLT-FLANGED	2	2
130B	130G0816	BOLT-FLANGED	1	1
171	171G0820	BOLT-STUD	2	2
317	317R0800	NUT-HEX-SMALL	2	2
461	461F0800	WASHER-SPRING	2	2
703	703A071000	TUBE-RUBBER	1	1

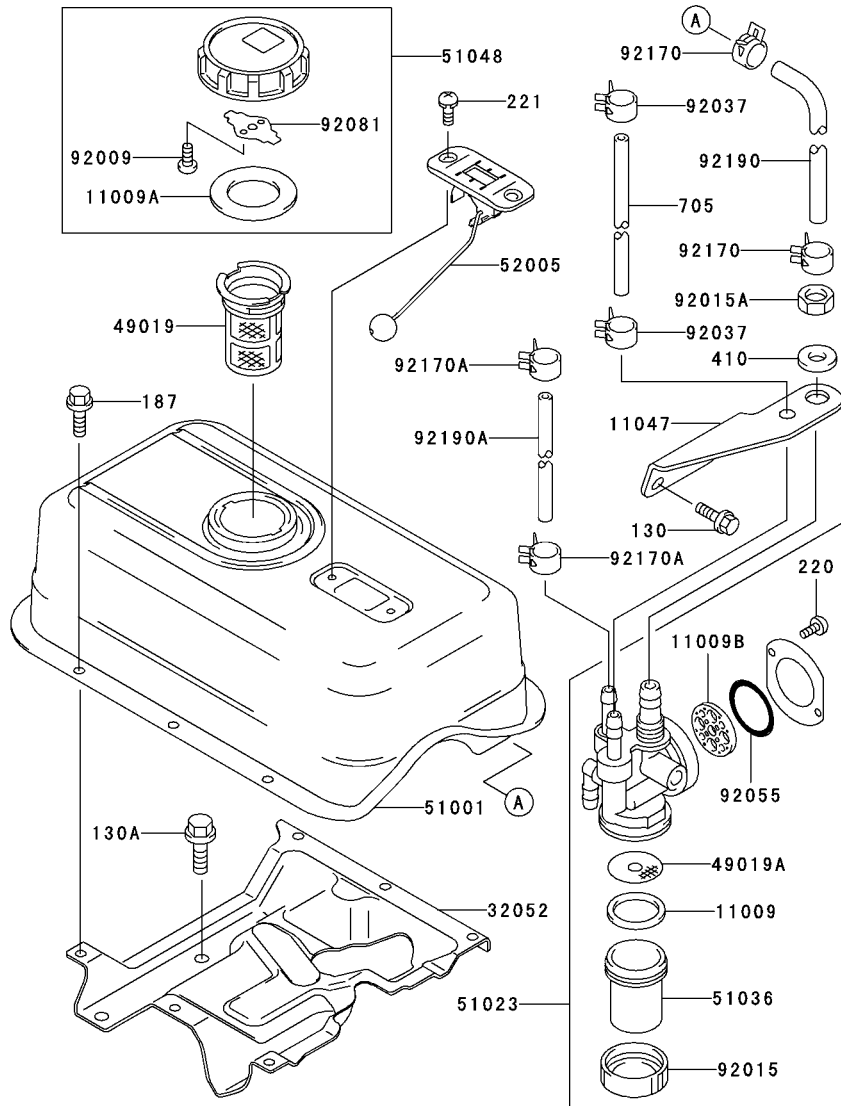
This catalog covers:

FE250D- □ G81

This fig. covers:

10 FUEL-TANK/FUEL-VALVE

E0200-A006C



Ref. No.	Part No.	Description	Quantity	
			A	B
11009	11009-2021	GASKET	1	1
11009A	11009-2115	GASKET	1	1
11009B	11009-2847	GASKET	1	1
11047	11047-2065	BRACKET	1	1
32052	32052-2201-9H	BRACKET-TANK	1	1
49019	49019-2051	FILTER-FUEL	1	1
49019A	49019-2095	FILTER-FUEL	1	1
51001	51001-2241-9H	TANK-COMP-FUEL	1	1
51023	51023-2151	TAP-ASSY	1	1
51036	51036-2066	CUP,FUEL TAP	1	1
51048	51048-2055	CAP-ASSY-TANK	1	1
52005	52005-2100	GAUGE	1	1
92009	92009-2021	SCREW	2	2
92015	92015-2007	NUT	1	1
92015A	92015-2317	NUT	1	1
92037	92037-2001	CLAMP	2	2
92055	92055-2153	RING-O	1	1
92081	92081-2036	SPRING	1	1
92170	92170-2082	CLAMP	2	2
92170A	92170-2084	CLAMP	2	2
92190	92190-2082	TUBE,7X12X220	1	1
92190A	92190-2083	TUBE,3.5X7.9X120	1	1
130	130G0612	BOLT-FLANGED	2	2
130A	130G0816	BOLT-FLANGED	4	4
187	187L0612	BOLT-UPSET-WSP	6	6
220	220B0308	SCREW-PAN-CROS	2	2
221	221F0512	SCREW-CSK-CROSS	2	2
410	410B1000	W-PLAIN-S	1	1
705	705A041000	TUBE-BRAID	1	1

This catalog covers:

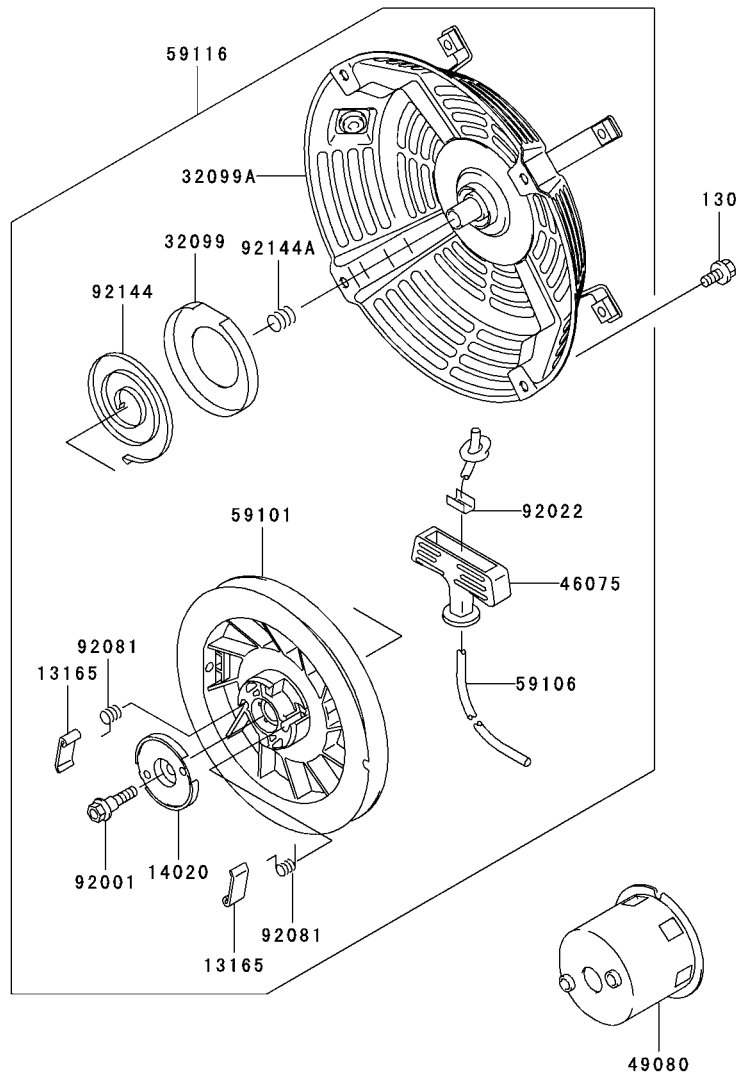
FE250D- □ G81

11

This fig. covers:

STARTER

E0210-A198A



Ref. No.	Part No.	Description	Quantity	
			A	B
13165	13165-2073	PAWL,RECOIL STARTER	2	2
14020	14020-2094	RETAINER,RECOIL STARTER	1	1
32099	32099-2193	CASE,SPRING	1	1
32099A	32099-2355-YK	CASE,RECOIL STARTER	1	1
46075	46075-2092	GRIP,RECOIL STARTER	1	1
49080	49080-2162	PULLEY-STARTING	1	1
59101	59101-2092	REEL,RECOIL STARTER	1	1
59106	59106-2099	ROPE,4.5X1550	1	1
59116	59116-2344-YK	STARTER-ASSY-RECOIL	1	1
92001	92001-2027	BOLT	1	1
92022	92022-2248	WASHER	1	1
92081	92081-2021	SPRING	2	2
92144	92144-2055	SPRING,RECOIL	1	1
92144A	92144-2212	SPRING	1	1
130	130G0612	BOLT-FLANGED	4	4

This catalog covers:

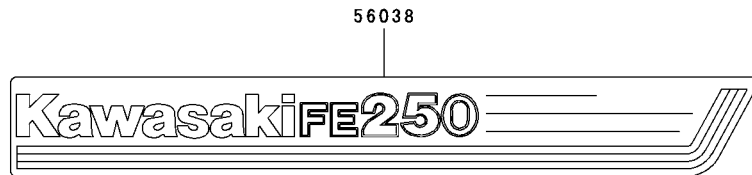
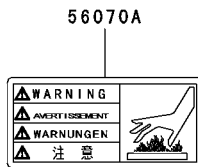
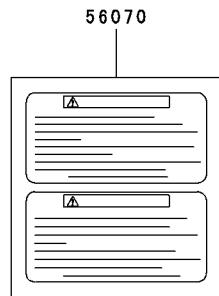
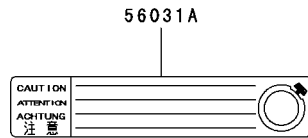
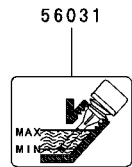
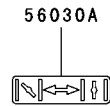
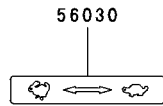
FE250D- □ G81

12

This fig. covers:

LABEL

F0290-B271A



Ref. No.	Part No.	Description	Quantity	
			A	B
56030	56030-2385	LABEL,THROTTLE	1	1
56030A	56030-2386	LABEL,CHOKE	1	1
56031	56031-2458	LABEL-MANUAL	1	1
56031A	56031-2465	LABEL-MANUAL	1	1
56038	56038-2730	LABEL-BRAND	1	1
56070	56070-2003	LABEL-WARNING	1	1
56070A	56070-2010	LABEL-WARNING	1	1
56070B	56070-2066	LABEL-WARNING	1	1

This catalog covers:

FE250D- □ G81

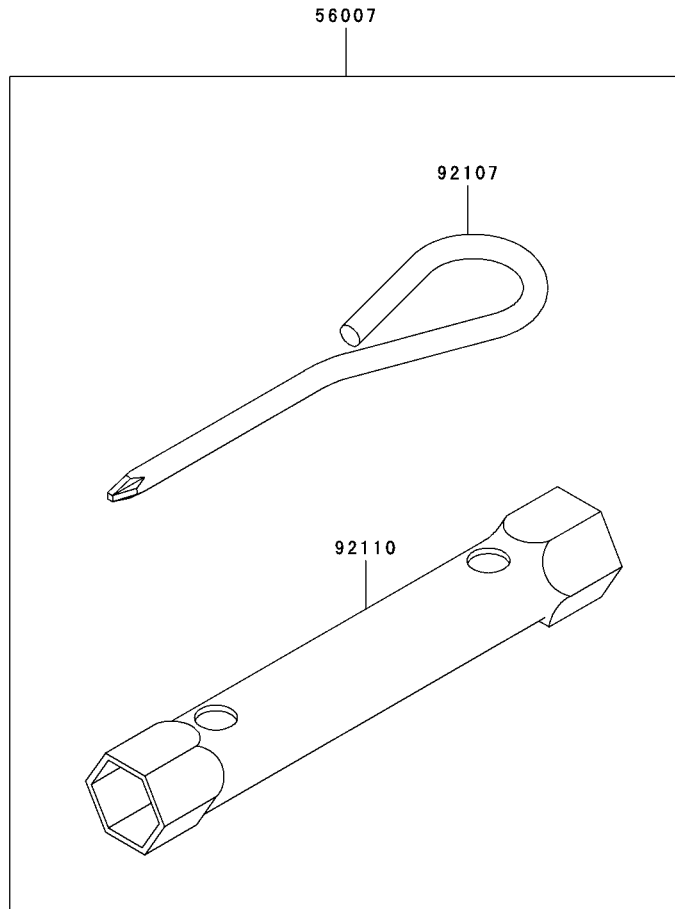
13

This fig. covers:

TOOL

F0300-A001A

Ref. No.	Part No.	Description	Quantity	
			A	B
56007	56007-2051	TOOLKIT	1	1
92107	92107-2057	TOOL-DRIVER	1	1
92110	92110-2051	TOOL-WRENCH,19X21	1	1



This catalog covers:

FE250D- G81

This fig. covers:

PART NAME INDEX

AIR-FILTER/MUFFLER.....	09
CARBURETOR.....	08
CONTROL-EQUIPMENT.....	07
COOLING-EQUIPMENT.....	05
CYLINDER/CRANKCASE	01
ELECTRIC-EQUIPMENT.....	06
FUEL-TANK/FUEL-VALVE	10
LABEL.....	12
LUBRICATION-EQUIPMENT.....	04
PISTON/CRANKSHAFT	02
STARTER.....	11
TOOL.....	13
VALVE/CAMSHAFT	03

This catalog covers:

FE250D- G81

This fig. covers:

NUMERICAL PARTS INDEX

Part No.	Fig No.	Part No.	Fig No.	Part No.	Fig No.	Part No.	Fig No.	Part No.	Fig No.
11004-2106	01	13251-6038	02	49089-2360-9H	05	92022-2248	11	92180-2027	02
11008-2086	01	13320-2021	07	49106-2514-9X	09	92025-2168	02	92180-2062	03
11009-2021	10	14020-2094	11	49106-2549-9X	09	92025-2169	02	92190-2069	06
11009-2115	10	14024-2234	06	49107-2129-9H	09	92025-2170	02	92190-2082	10
11009-2175	04	14090-2019-9H	09	49110-2069	07	92025-2171	02	92190-2083	10
11009-2487	09	15003-2888	08	49118-2108	03	92025-2172	02	92200-2029	07
11009-2847	10	16007-2072	03	49120-2224	01	92025-2173	02	92200-2036	07
11009-2859	09	16020-2123	08	49121-2210	08	92025-2174	02	92200-2070	09
11009-2919	08	16073-2150	08	51001-2241-9H	10	92025-2175	02		
11009-2923	01	16115-2079	04	51023-2151	10	92025-2207	02		
11009-2925	09	16126-2107	01	51036-2066	10	92026-2052	02		
11009-2927	08	16146-2193	05	51048-2055	10	92026-2158	07		
11009-2928	08	16171-2063	07	510A5100	02	92033-1099	02		
11010-2547-9H	09	16171-2064	07	510A5100	06	92037-2001	10		
11011-2325	09	16183-2005	08	511A0735	02	92037-2171	06		
11012-2135-9H	09	16185-2003	08	52005-2100	10	92043-1037	01		
11012-2282	07	16186-2002	08	554A0600	07	92043-1263	01		
11012-2322-9X	09	171G0820	09	56007-2051	13	92043-2113	03		
11022-6002	01	172G0677	08	56030-2385	12	92045-2188	01		
11046-2143	07	18020-2073	01	56030-2386	12	92049-2097	01		
11047-2065	10	18077-2094	09	56031-2223	09	92049-2199	01		
11061-2069	01	187L0612	10	56031-2458	12	92049-2220	01		
12004-2093	03	21118-2087	03	56031-2465	12	92055-1343	01		
12005-2081	03	21160-2051	06	56038-2730	12	92055-2072	02		
12009-2066	03	21171-2206	06	56070-2003	12	92055-2153	10		
12011-2056	03	21187-2061	07	56070-2010	12	92055-2185	04		
12016-2060	03	21194-2241	06	56070-2066	12	92063-2283	08		
12032-2060	03	214B0408	07	59041-2072	05	92064-2086	08		
13001-2128	02	214B0422	07	59051-2097	02	92066-2203	04		
13002-2077	02	220B0308	10	59056-2995	02	92070-2077	06		
13008-2055	02	221F0512	10	59066-2721-9H	05	92071-2008	06		
13025-2097	02	23013-2054	08	59101-2092	11	92071-2112	06		
13029-2117	02	233F0514	07	59106-2099	11	92072-2073	09		
13031-2056	02	26011-2334	06	59116-2344-YK	11	92081-2021	11		
13042-6012	02	311B0600	07	59156-2230-9Y	09	92081-2036	10		
13070-2086	03	314G1600	06	59226-2229	07	92081-2104	07		
130B0508	09	317R0800	09	59366-2065	09	92093-2094	09		
130B0525	06	32052-2201-9H	10	703A071000	09	92107-2057	13		
130G0610	05	32099-2193	11	705A041000	10	92110-2051	13		
130G0612	05	32099-2355-YK	11	92001-2027	11	92144-2055	11		
130G0612	07	39003-2076	07	92002-2053	02	92144-2212	11		
130G0612	09	39076-2055	08	92002-2269	07	92144-2257	07		
130G0612	10	39180-2643	07	92004-2083	01	92144-2262	09		
130G0612	11	410B0600	07	92009-2021	10	92144-2266	07		
130G0816	09	410B1000	10	92009-2203	07	92144-2279	07		
130G0816	10	411B0600	07	92009-2243	05	92144-2323	03		
130G0825	02	42036-2060	07	92009-2308	01	92145-2054	07		
130T0845	01	46075-2092	11	92009-2308	06	92150-2145	01		
13107-2088	02	46102-2075	02	92009-2322	09	92150-2197	05		
13116-2071	03	461F0800	09	92015-1193	02	92150-2198	03		
13165-2073	11	49015-6135	01	92015-1193	09	92150-2209	08		
13168-2314	07	49016-2082	05	92015-2007	10	92150-2264	05		
13183-2299	01	49019-2051	10	92015-2051	07	92151-2130	01		
13183-2334	07	49019-2095	10	92015-2120	07	92170-2017	06		
13183-2343	07	49064-2054	09	92015-2240	03	92170-2035	07		
13183-2407	05	49069-2230	09	92015-2253	03	92170-2082	10		
13183-2483	05	49078-2067	03	92015-2317	10	92170-2084	10		
13236-2116	07	49080-2162	11	92022-2103	07	92180-2010	03		
13251-2078	02	49089-2326-9H	05	92022-2116	02	92180-2011	03		
13251-6038	02	49089-2328-9H	05	92022-2205	06	92180-2012	03		



**Yvan Béal - 21, av. de l'Agriculture - B.P 16
Z.I. du Brézet - 63014 Clermont-Ferrand Cedex 2
Tél : 04 73 91 93 51 - Télécopie : 04 73 90 23 11
www.yvanbeal.fr - E-mail : info@yvanbeal.fr
R.C.S. B 304 973 886 - S.A.S. au capital de 612 000 €**