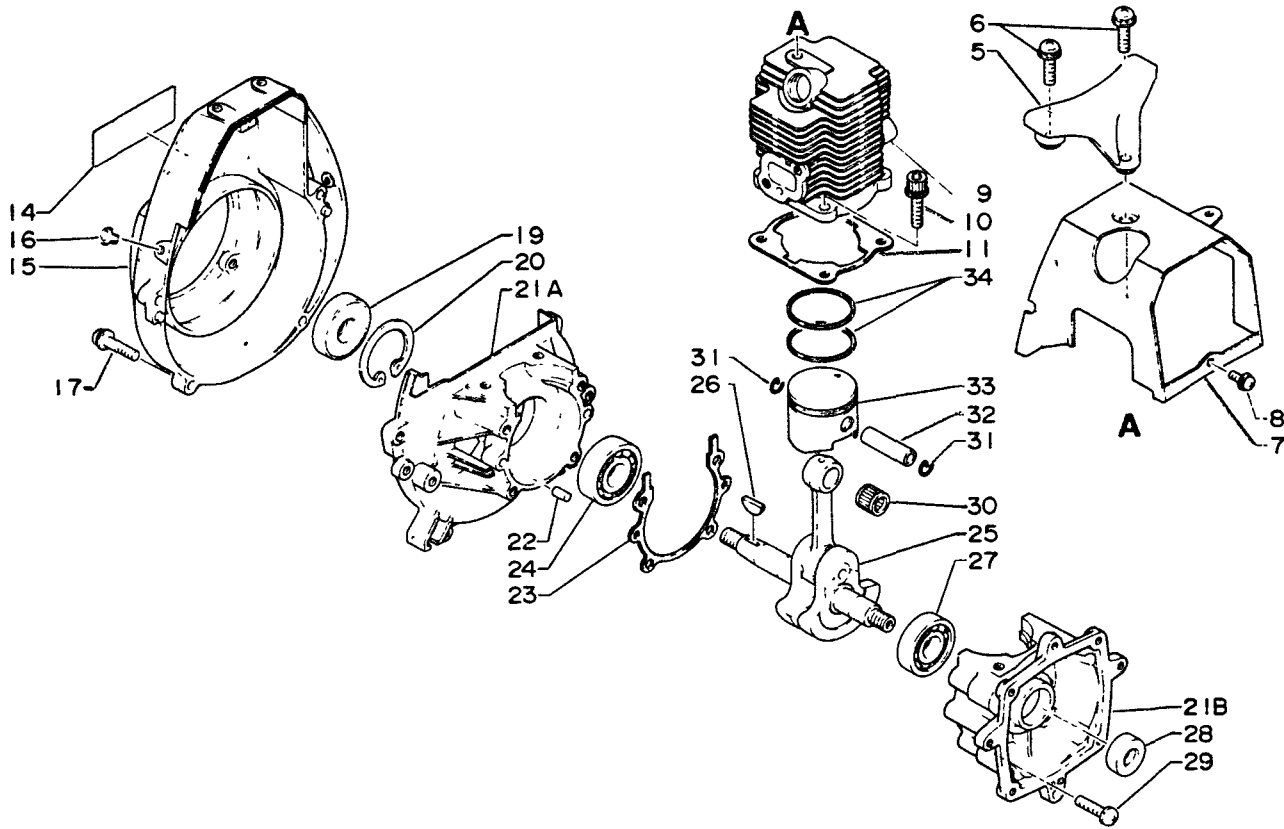




**BRUSH CUTTER  
PARTS CATALOG  
SRM-250E**

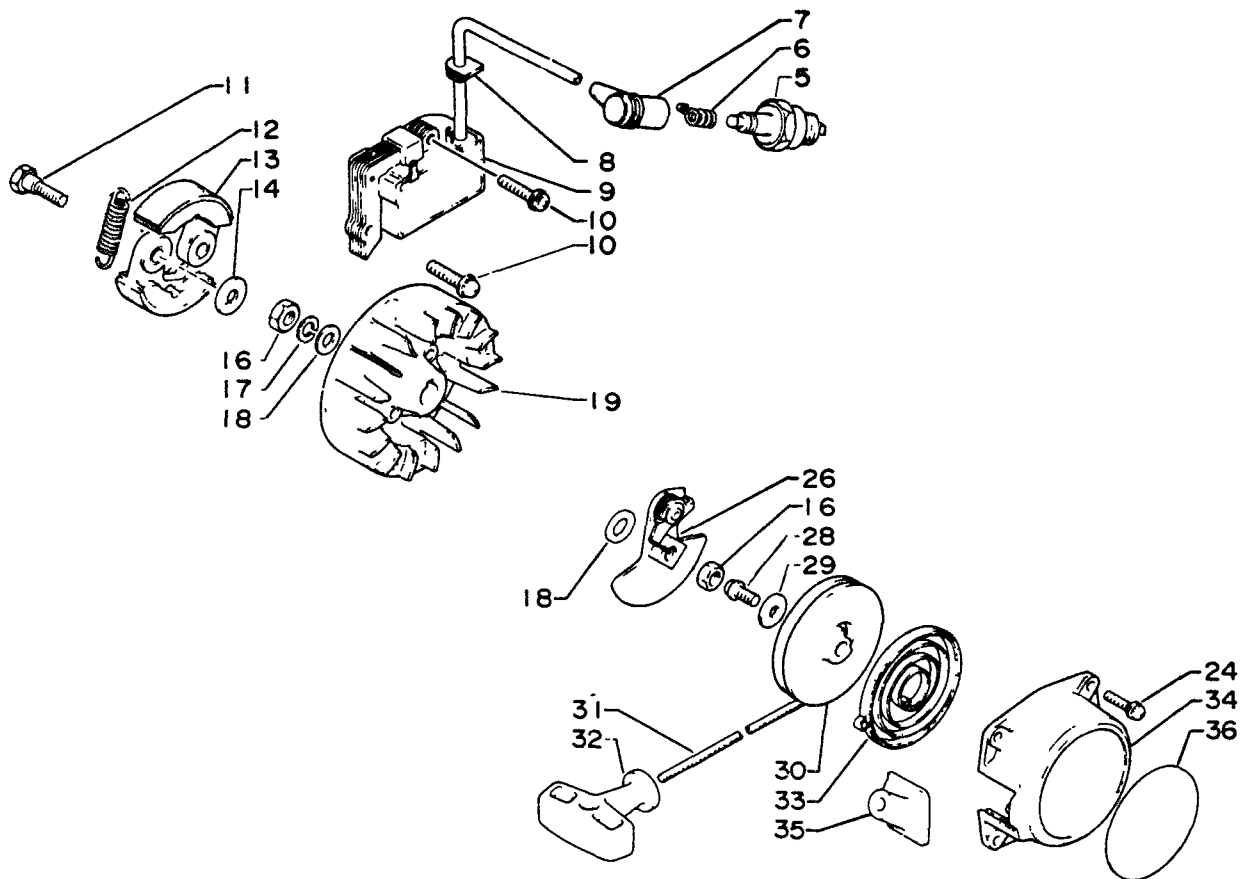
**ECHO, INCORPORATED  
400 OAKWOOD ROAD  
LAKE ZURICH, IL 60047**

**89856127230  
10/86**

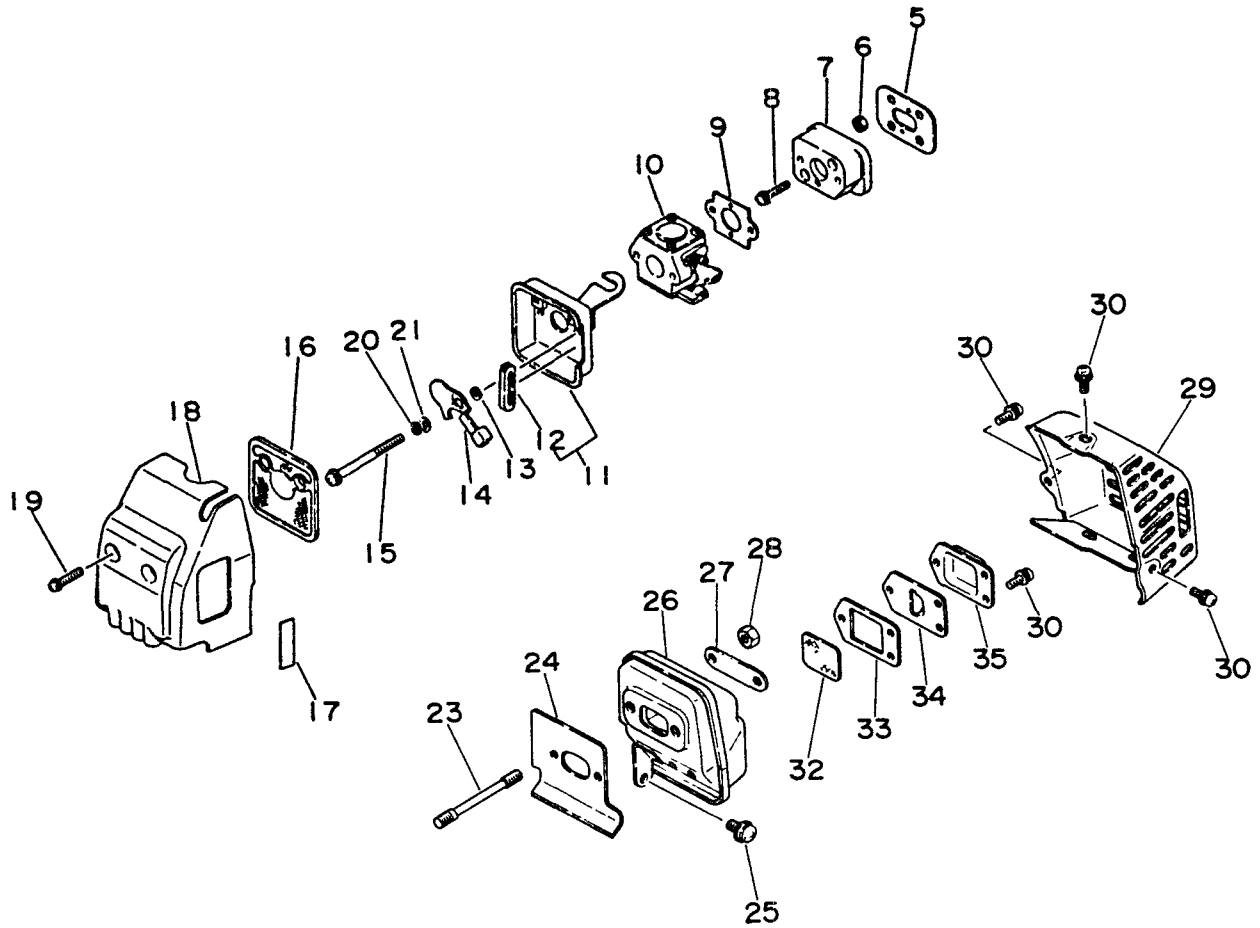


Key No.	Part Number	Q'ty	Description	Key No.	Part Number	Q'ty	Description
1- 5	159 905-2233 0	1	Guard, top	1- 23	100 242-2233 0	1	Gasket, case
6	900 242-0501 6	3	Screw 5 x 16	24	900 810-3620 1	1	Bearing, ball
7	101 514-2233 1	1	Cover, cylinder	25	100 100-2233 0	1	Crankshaft
8	900 242-0401 0	1	Screw 4 x 10	26	100 142-0031 0	1	Key, woodruff
9	101 011-2233 0	1	Cylinder	27	900 800-3600 1	1	Bearing, ball
10	900 162-0502 0	4	H S H bolt	28	100 213-0553 0	1	Seal, oil
11	101 010-2233 0	1	Gasket, cylinder	29	900 242-0502 5	4	Screw, 5 x 25
14	890 112-2723 0	1	Decal, model	30	100 012-2233 0	1	Bearing, needle
15	101 511-2233 0	1	Cover, fan	31	100 015-0463 0	2	Circlip
16	880 517-2823 0	1	Plug	32	100 013-2233 0	1	Pin, piston
17	900 242-0502 0	4	Screw 5 x 20	33	100 010-2233 0	1	Piston
19	100 212-0393 0	1	Seal, oil	34	100 011-0533 0	2	Ring, piston
20	900 702-0003 2	1	Circlip 32				
<b>21</b>	<b>100 200-2233 1</b>	<b>1</b>	<b>Crankcase set</b>				
22	-100 215-0393 0	2	Knock				

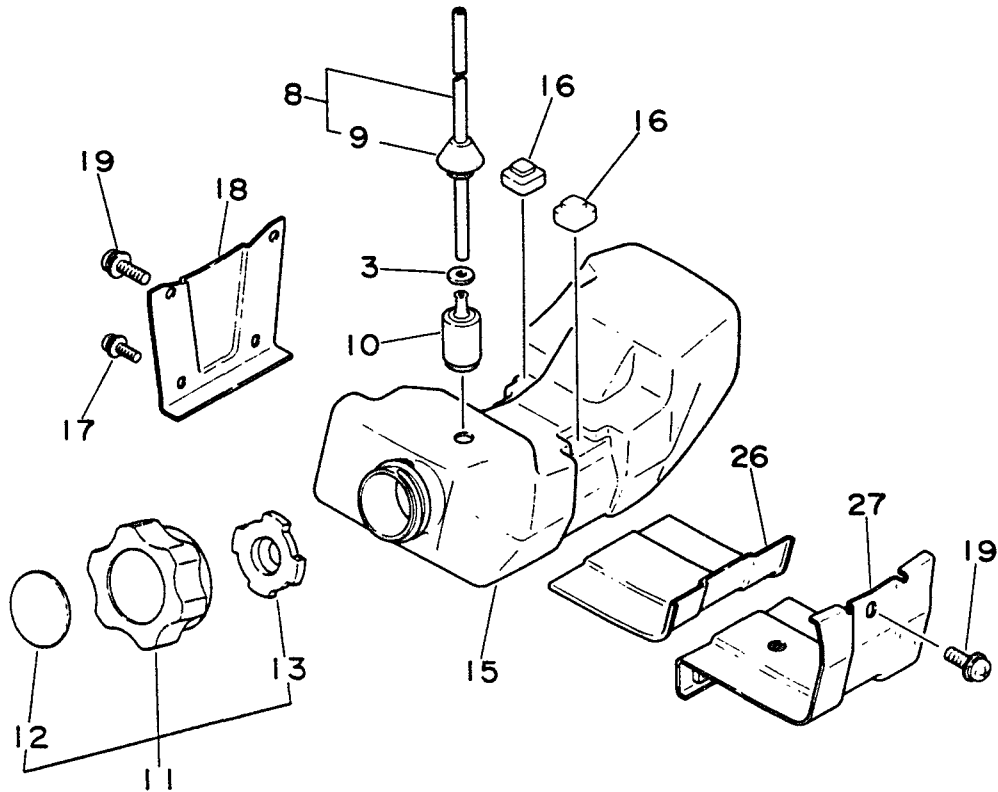
SRM-250E 2



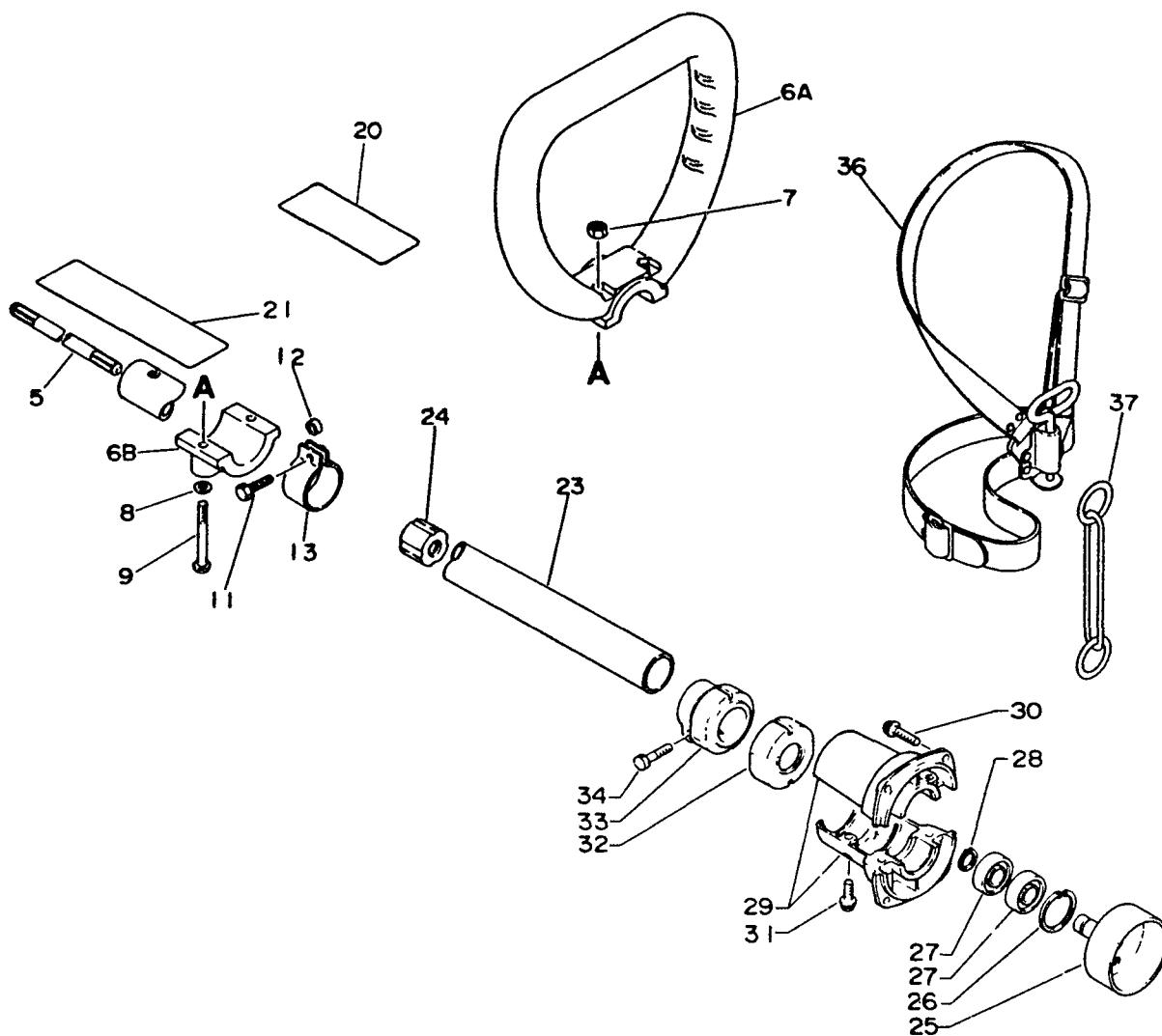
Key No.	Part Number	Q'ty	Description	Key No.	Part Number	Q'ty	Description		
2-	5	1	Plug, spark BPM7A	2-	26	1	Ratchet ass'y		
	6	1	Coil		177 200-2233 2	1	Starter ass'y		
	7	1	Cap, spark plug		28	-900 241-0401 0	1	Screw 4 x 10	
	8	1	Grommet		29	-177 214-2043 0	1	Washer	
	9	1	Coil, ignition		30	-177 215-0492 0	1	Reel, recoil	
	10	900 242-0502 0	2		Screw 5 x 20	31	-177 226-0653 0	1	Rope, starter
	11	175 046-2233 2	2		Bolt	32	-177 228-0653 0	1	Grip
	12	175 018-0553 4	1		Spring, clutch	33	-177 220-0653 0	1	Spring, rewind
	13	175 009-0553 1	2		Shoe, clutch	34	-177 209-2233 1	1	Case, starter
	14	175 048-0553 0	2		Washer	35	-177 227-2233 2	1	Guide, rope
	16	900 502-0000 8	2		Nut 8	36	890 112-1783 0	1	Decal, ECHO
	17	900 605-0000 8	1		Lock washer 8				
	18	900 600-0000 8	1		Washer 8				
	19	156 801-2233 0	1		Flywheel				
24	900 242-0401 2	4	Screw 4 x 12						



Key No.	Part Number	Q'ty	Description	Key No.	Part Number	Q'ty	Description
3-	5	1	Gasket	3-	20	2	Lock washer 5
	6	2	Nut 5		21	2	Washer 5
	7	1	Insulator		23	2	Stud
	8	2	Screw 5 x 20		24	1	Gasket, muffler
	9	1	Gasket		25	1	Screw 5 x 10
	10	1	Carburetor		26	1	Muffler
	11	1	<b>Case, cleaner</b>		27	1	Washer
	12	1	Grommet		28	2	Lock nut
	13	1	Spacer		29	1	Cover, muffler
	14	1	Shutter, choke		30	6	Screw 4 x 10
	15	2	Screw		32	1	Screen
	16	1	Filter, air		33	1	Gasket
	17	1	Decal		34	1	Holder
	18	1	Case, cleaner		35	1	Lid
	19	2	Screw 4x18				

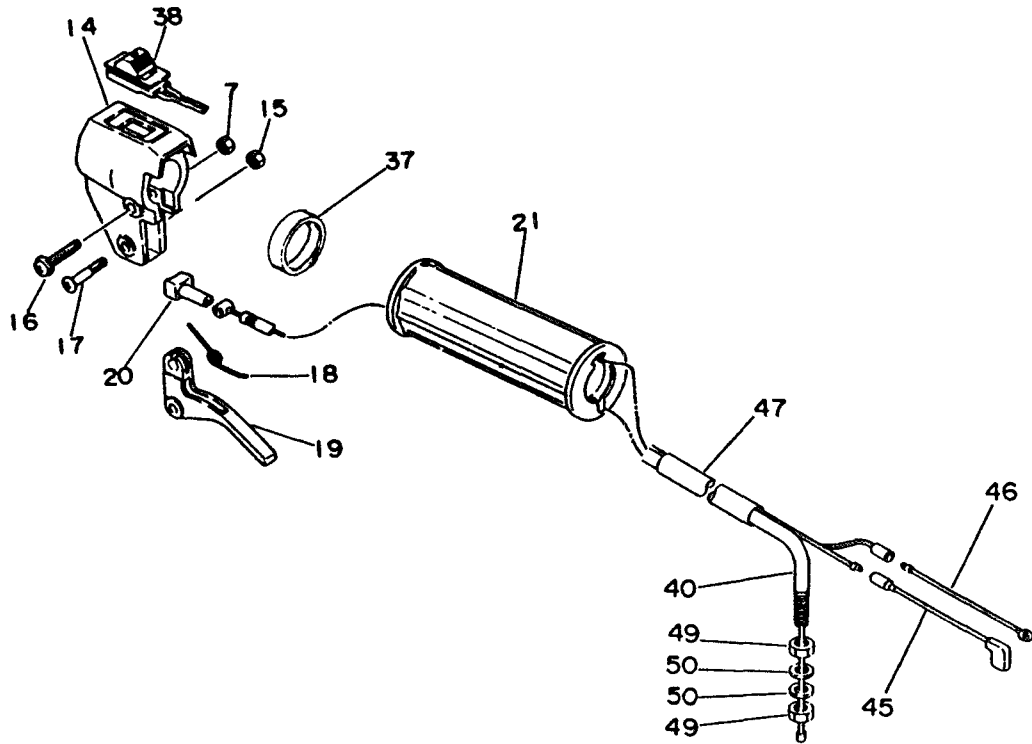


Key No.	Part Number	Q'ty	Description	Key No.	Part Number	Q'ty	Description
4- 3	900 603-0000 5	1	Washer	4- 17	900 242-0401 0	2	Screw 4 x 10
8	132 007-0753 0	1	Pipe, fuel	18	131 910-2723 0	1	Bracket
9	-132 115-0492 0	1	Grommet	19	900 242-0501 2	3	Screw 5 x 12
10	131 200-2133 0	1	Strainer	26	131 924-2723 0	1	Cushion
11	131 600-2723 0	1	Cap, fuel	27	131 918-2723 0	1	Bracket
12	-890 154-1273 0	1	Decal				
13	-131 314-2233 0	1	Valve, check				
15	131 039-2723 0	1	Tank, fuel				
16	131 925-2233 0	3	Cushion				

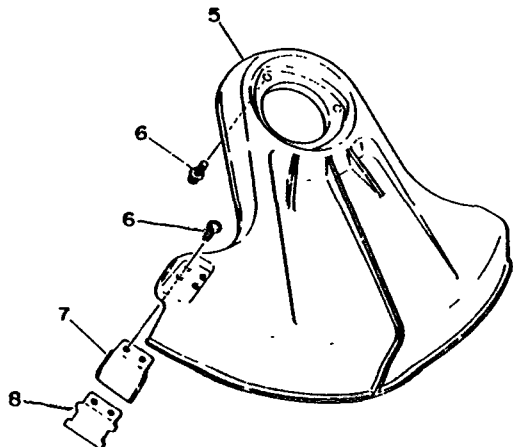


Key No.	Part Number	Q'ty	Description	Key No.	Part Number	Q'ty	Description
5-	5	1	Shaft, drive	5-	28	1	Circlip 12
	6	1	<b>Handle set</b>	29	610 202-2283 1	1	Case set, clutch
	7	2	Nut 5	30	900 242-0501 6	4	Screw 5 x 16
	8	2	Washer 5	31	900 242-0502 0	4	Screw 5 x 20
	9	2	Screw 5 x 40	32	610 906-2283 0	1	Cushion
	11	1	Bolt	33	610 905-2283 0	1	Cushion
	12	1	Spacer	34	900 142-0502 5	1	Bolt 5 x 25
	13	1	Hock	36	<b>301 000-2433 0</b>	1	<b>Harness</b>
	20	1	Decal	37	-301 305-2433 0	1	Link
	21	1	Decal				
	23	1	<b>Housing ass'y, shaft</b>				
	24	5	Bush				
	25	1	Drum, clutch				
	26	1	Circlip 28				
	27	2	Bearing, ball				

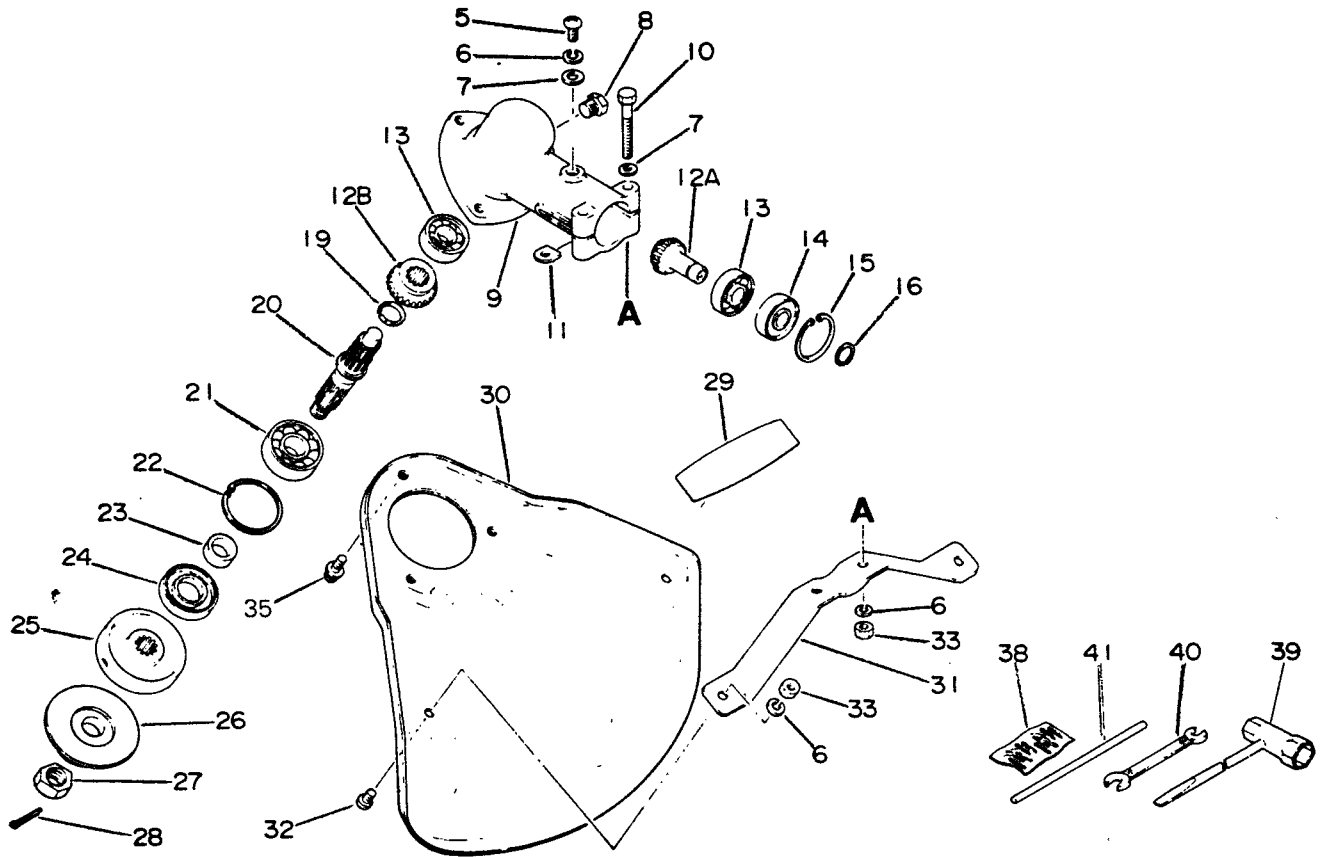
Remark: 36 Includes 37.



Key No.	Part Number	Q'ty	Description	Key No.	Part Number	Q'ty	Description
6- 7	900 500-0000 5	1	Nut 5	6- 46	162 014-2723 0	1	Lead, ground
14	178 024-2433 0	1	Bracket, throttle	47	178 127-2723 0	1	Tube
15	433 020-0083 0	1	Lock nut	49	900 502-0000 6	2	Nut 6
16	900 242-0503 0	1	Screw 5 x 30	50	900 600-0000 6	2	Washer 6
17	178 110-0533 0	1	Screw				
18	178 043-0693 0	1	Spring				
19	178 010-0563 0	1	Lever, throttle				
20	178 048-0563 0	1	Holder				
21	351 012-2433 0	1	Grip				
37	178 076-2723 0	1	Spacer				
38	163 400-2723 0	1	Switch				
40	178 001-0913 0	1	Cable, throttle				
45	162 022-2723 0	1	Lead				



Key No.	Part Number	Q'ty	Description
5	699 000-2723 0	1	Shield ass'y (Plastic)
6	-900 242-0501 6	5	Screw 5 x 16
7	-699 016-2323 1	1	Cutter
8	-699 212-2323 0	1	Guard



Key No.	Part Number	Q'ty	Description	Key No.	Part Number	Q'ty	Description
7- *	<b>610 402-0893 2</b>	<b>1</b>	<b>Housing ass'y, gear</b>	7- 26	-610 314-0413 1	1	Plate, adapter. L
5	-900 220-0501 0	1	Screw 5x10	27	-900 511-0001 0	1	Nut 10 L-h
6	-900 605-0000 5	1	Spring washer 5	28	-900 300-2002 2	1	Split pin
7	-900 600-0000 5	3	Washer 5	29	890 138-2403 0	1	Decal, ECHO
8	-900 100-0800 8	1	Bolt 8x8	<b>30</b>	<b>699 000-2033 0</b>	<b>1</b>	<b>Shield ass'y (steel)</b>
9	-610 460-0893 0	1	Housing, gear	6	-900 605-0000 5	4	Spring washer 5
10	-900 100-0503 5	2	Bolt 5x35	31	-699 015-0893 0	1	Bracket, shield
11	-610 239-0413 0	2	Shim washer	32	-900 220-0500 8	2	Screw 5x8
12	-610 301-0893 0	1	Gear set	33	-900 500-0000 5	4	Nut 5
13	-900 800-0060 9	2	Bearing, ball	35	-900 242-0501 0	3	Screw 5 x 10
14	-900 803-0060 9	1	Bearing, ball	38	898 502-0113 0	1	Split pin, 10 pcs.
15	-900 702-0002 5	1	Circlip 25	39	895 410-0793 0	1	Box wrench
16	-610 337-0893 0	1	Circlip	40	895 112-0033 0	1	Spanner 8x10
19	-610 335-0713 0	1	Circlip	41	897 518-0113 1	1	Fitting tool
20	-610 360-0893 1	1	Shaft, P.T.O.				
21	-900 810-0620 1	1	Bearing, ball	<b>OPTION</b>			
22	-900 702-0003 2	1	Circlip 32		696 001-2033 0	1	8-cutter blade
23	-610 315-0713 0	1	Spacer		695 001-2033 0	1	Circular saw
24	-610 413-0713 0	1	Oilseal				
25	-610 338-0893 0	1	Plate, adapter. U				

Remarks: \* Consists of 5 thru 28.  
30 Includes 6, 31 thru 33, and 35.