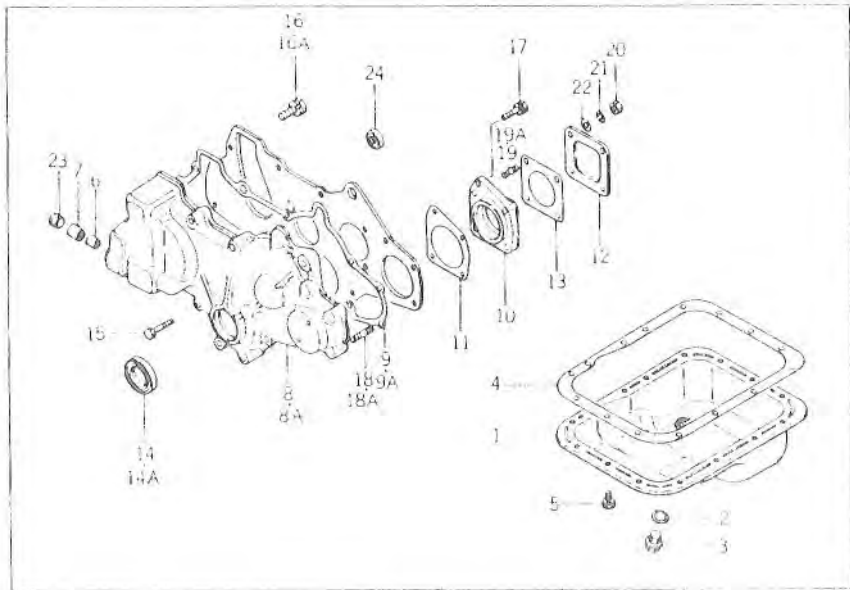


PARTS CATALOGUE

ISEKI MINI-CULTIVATOR

MC2-E40





HOW TO USE THIS PARTS LIST (FOR O.E.M. ONLY)

Explanations of symbols (column guidances)

A. KEY

The key number is to use as reference for locating part number(s) of illustrated drawing shown in the list. The index number is given to individual illustrations. The suffix of key number represents that the part number of the parts changes or modified according to historical sequence.

Sequence of changes	Key #
1	1
2	1A
3	1B

B. SPC (Split part Numbers)

There are part/parts originally with one part number but broken down into two or more parts and part numbers, due to technical reasons, which can be easily noticed at the KEY # with alphabet letters from A to Z. (these parts are combinations of 2 or more parts in lieu of the original one)

C. CHG (Parts newly added or Modified)

To observe easily the differences between old and new parts list. If the column CHG is care with.

- A : Parts newly added
- C : Parts modified or changed

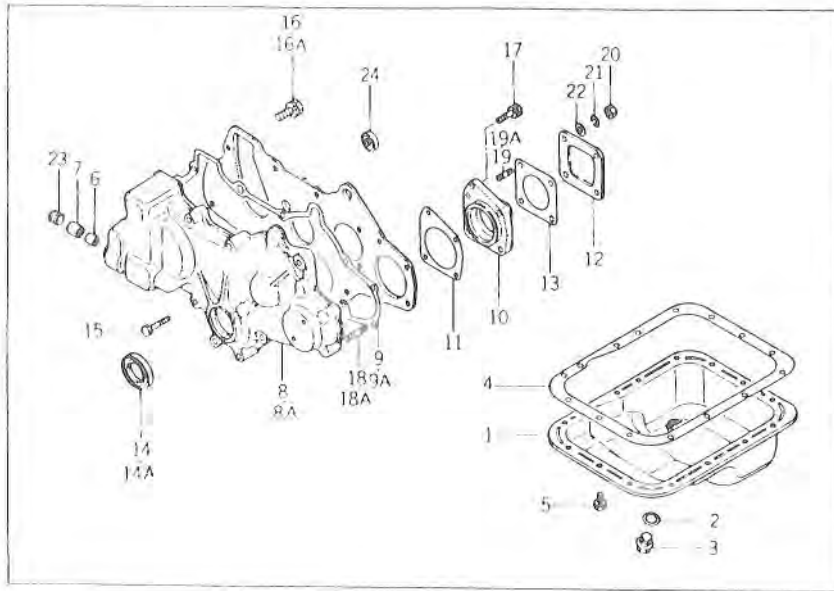
D. PART CODE (All blank) See remarks column

KEY #	PART CODE	DESCRIPTION	QTY	UNIT	REMARKS
1		16 16A			
2		24			
3		17			
4		19A			
5		19			
6		21			
7		22			
8		12			
9		13			
10		10			
11		11			
12		4			
13		1			
14		14A			
15		15			
16		8A			
17		18A			
18		18A			
19		5			
20		2			
21		3			

FIG 2

OIL PAN AND GEAR CASE GROUP

P 2



E. DESCRIPTION

IS the literal meaning of part number itself.

F. QTY (Quantity)

This is the actual number of piece, set and assembly of part required per unit of product or machine.

"AR" is the abbreviation of "AS REQUIRED"

"CC" shows that part required during replacement services is more than 100 pieces per unit.

G. ITC (Interchangeability)

0 : Old and new parts are interchangeable.

1 : New part can be used in place of the old part but old part can not be used to replace the new part.(see illustration below)

2 : Old part can be used in place of the new part but new part can not be used to replace the old part.(see illustration below.)

3 : Not interchangeable.(see illustration below.)

8 : Abolished.

9 : Newly added (overlooked during publication or with some unforeseen reasons).

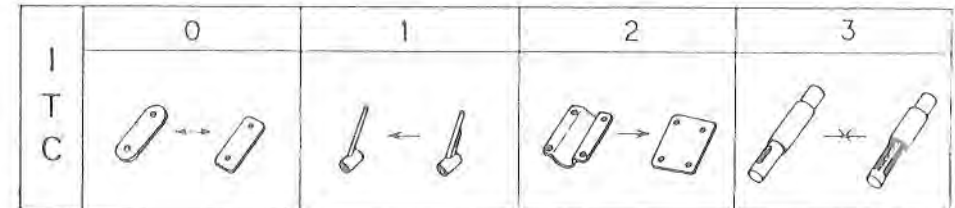
TABLE # 2

11111111111111111111 11111 111111111 111111 1111111 11111111 111111111
 11111111111111111111 11111 111111111 111111 1111111 11111111 111111111
 33333333333333333333 22222 22222222 222222 2222222 22222222 222222222
 22222222222222222222 22222 22222222 222222 2222222 22222222 222222222
 4444 4444222 2 22 3 124 2 225 2 12

P 4

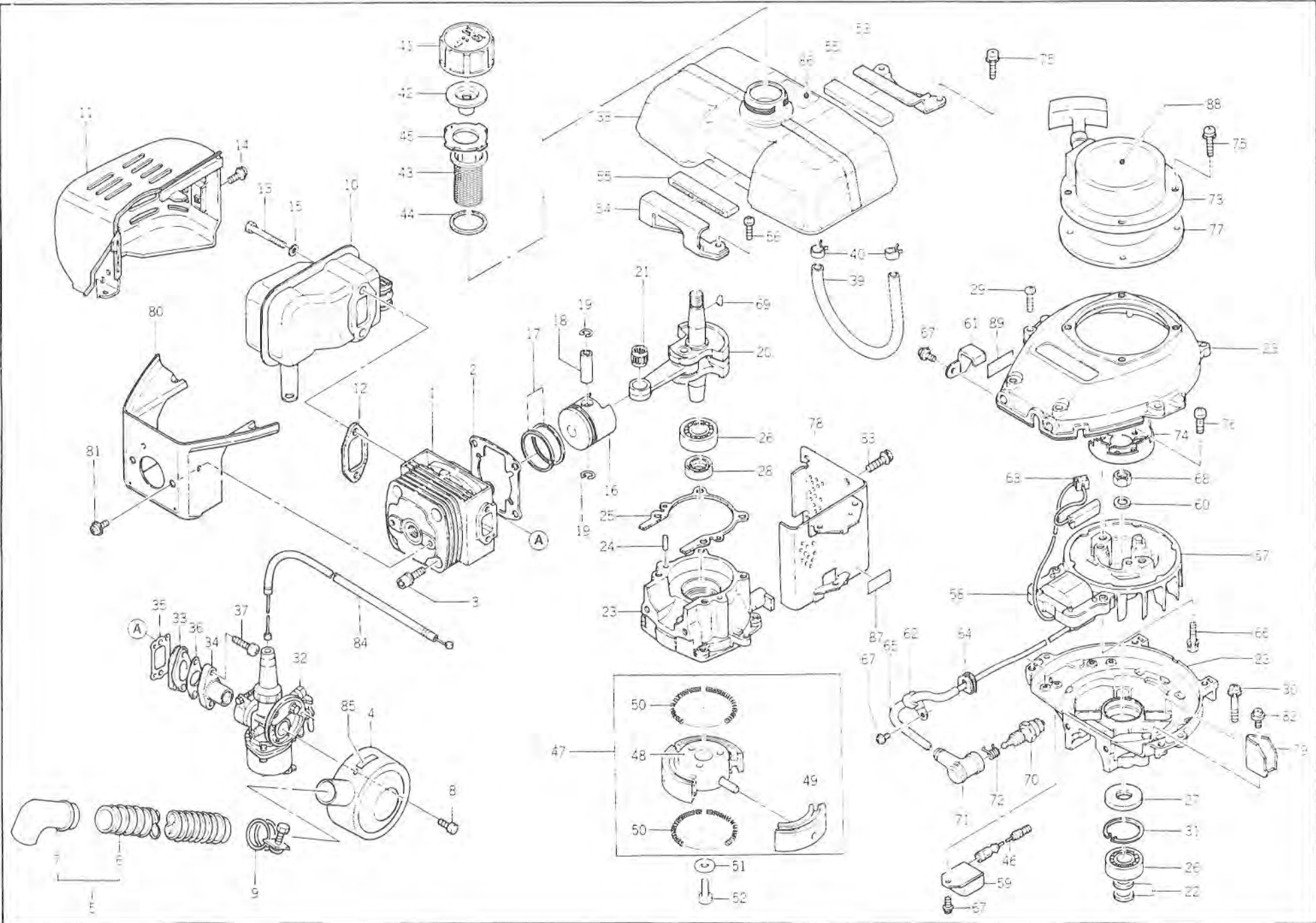
REF. #	PART NOS	DESCRIPTION	QTY	UNIT	REMARKS
1	5650 040 830 60	PAN, OIL ATTY	1		
2	5650 020 312 00	GASKET	2		
3	5650 020 318 00	PLUG, OIL PAN EXHA	1		
4	5650 040 832 10	GASKET, OIL PAN	1		
5	5650 024 005 10	BOLT, SEMI-WHOLE	15		
6	5650 040 842 00	BEARING, IN VALVE	1		
7	5650 040 842 10	BEARING, IN VALVE	1		
8	5650 040 821 00	CASE, GEAR	1		
9	5650 040 822 10	CASE, GEAR	1		
10	5650 040 823 00	GASKET, GEAR CASE	1		
11	5650 040 823 50	GASKET, GEAR CASE	1		
12	5650 040 823 00	ROD, IN BEARING	1		
13	5650 040 723 50	GASKET, ROD END	1		
14	5650 040 120 60	PACKING, PAPER	1		
15	5650 040 120 00	SEAL, OIL	1		
16	5650 040 120 00	SEAL, OIL	1		
17	5650 040 120 00	SEAL, OIL	1		
18	5650 024 305 10	BOLT, SEMI-W	1		
19	5650 024 305 10	BOLT, SEMI-W	1		
20	5650 024 305 10	BOLT, SEMI-W	1		
21	5650 024 305 10	BOLT, SEMI-W	1		
22	5650 024 305 10	BOLT, SEMI-W	1		
23	5650 024 305 10	BOLT, SEMI-W	1		
24	5650 024 305 10	BOLT, SEMI-W	1		

A C B D E F G H J K L M N

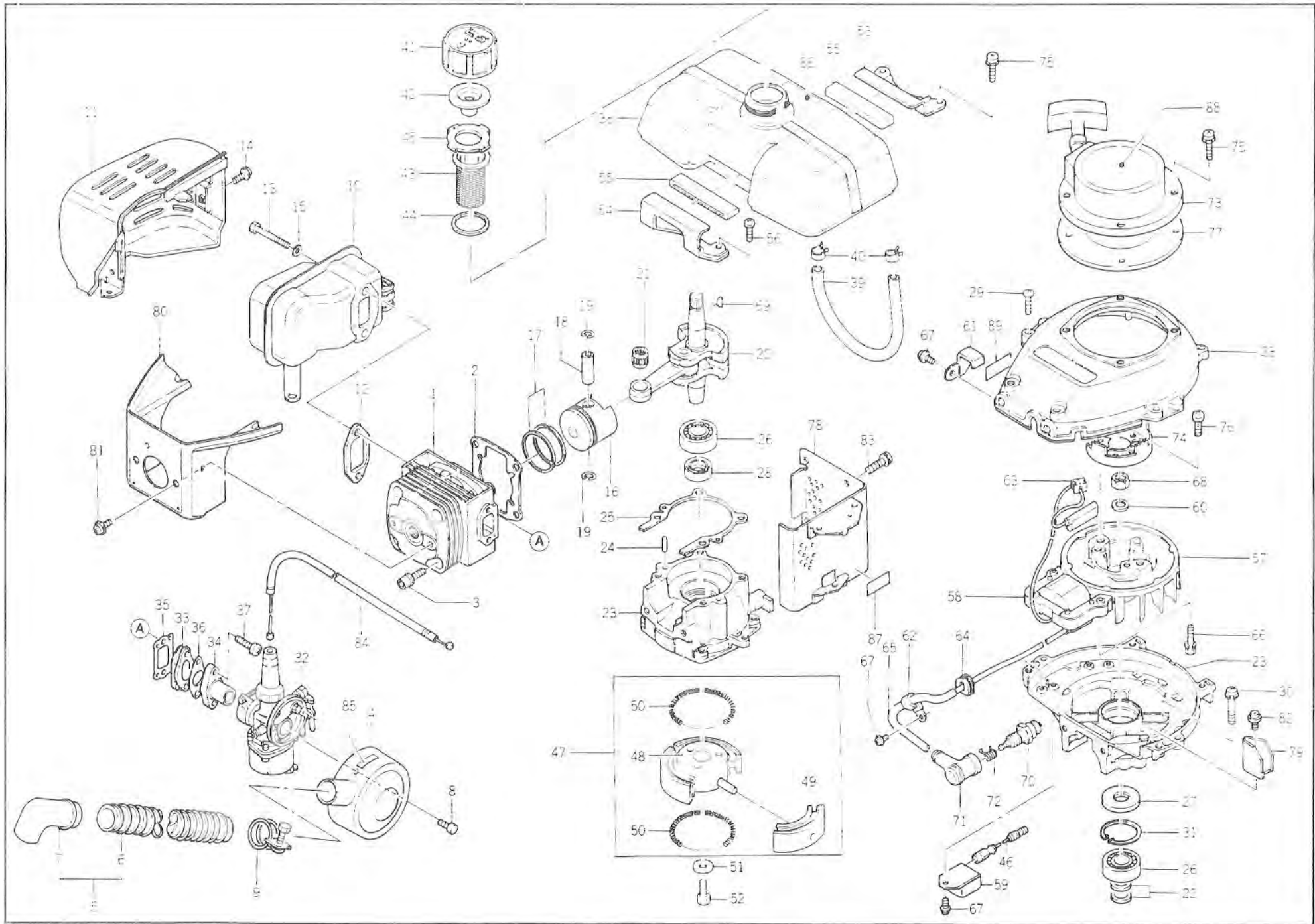


CONTENTS

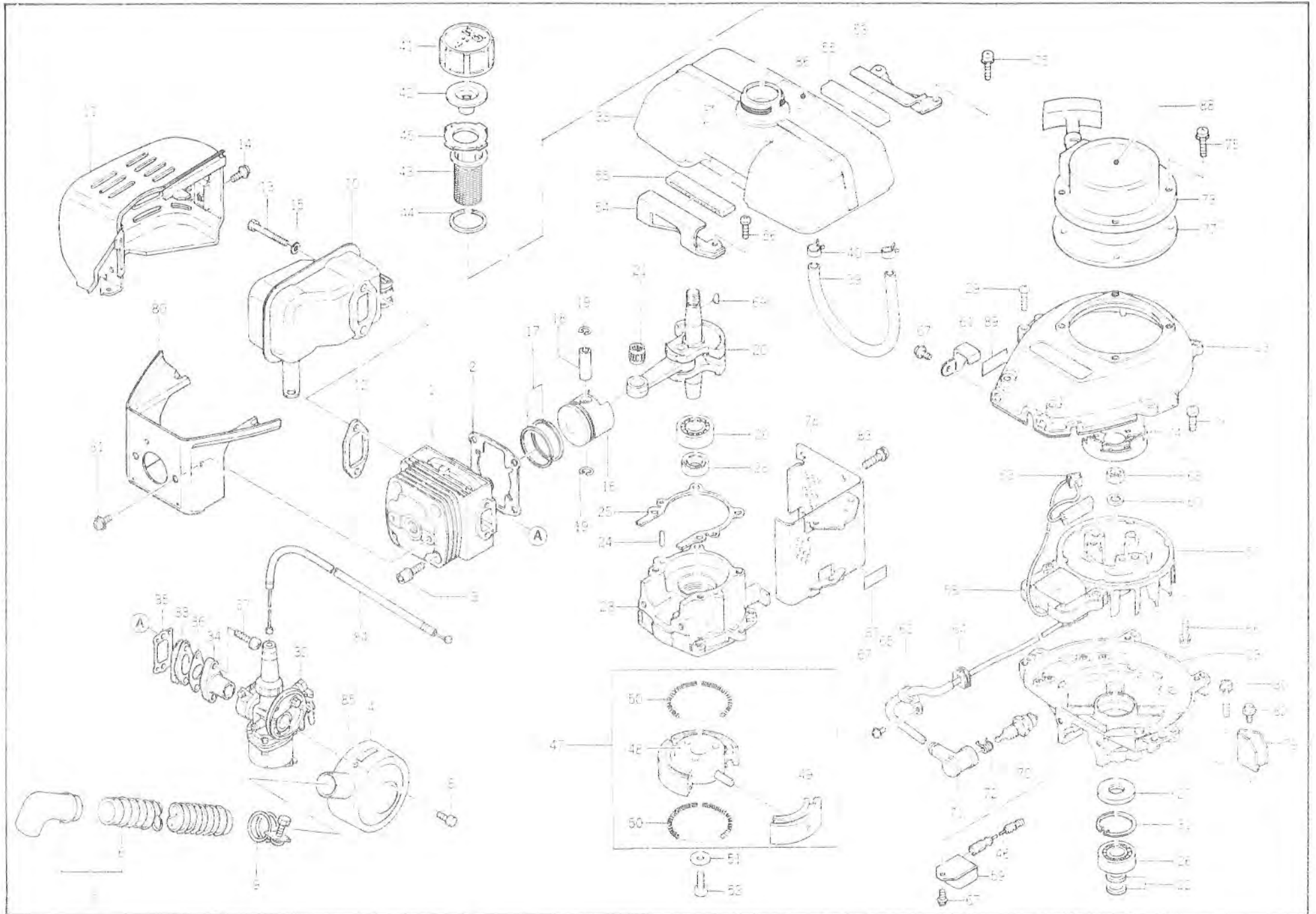
	PAGE
Fig. 1 Engine	1
Fig. 2 Air Cleaner	7
Fig. 3 Carburetor	9
Fig. 4 Recoil Starter	11
Fig. 7 Without Engine	13



KEY#	S P C	C H G	PART CODE	DESCRIPTION	Q T Y	T C	S C	T F	FROM	UPTO	REMARKS
1			5110-052-096-00	CYLINDER	1		0				
2			5110-092-373-00	GASKET	1		0				
3			5128-011-283-A0	BOLT	4		0				
4			5123-AA1-310-B0	AIR CLEANER ASSY	1		0				
5			5123-AA1-330-A0	TUBE ASSY	1	1	0				
6			5123-AA1-347-A0	TUBE	1	2	0				
7			5123-AA1-354-A0	ELBOW	1	2	0				
8			5123-AA1-356-A0	BOLT	2		0				
9			5123-AA1-348-A0	CLIP	1		0				
10			5105-051-410-A0	MUFFLER ASSY	1		0				
11			5105-031-431-A0	COVER, muffler	1		0				
12			5128-011-443-A0	GASKET	1		0				
13			5105-011-482-A0	BOLT	2		0				
14			5241-B05-120-00	SCREW/M5X12	3		0				
15			5411-B06-000-00	WASHER	2		0				
16			5130-012-086-00	PISTON	1		0				
17			5128-013-010-A0	PISTON RING SET	1		0				
18			5130-022-067-00	PIN, piston	1		0				
19			5128-013-122-A0	RING, snap	2		0				
20			5105-033-210-A0	CRANKSHAFT ASSY	1	1	0				
21			5123-AA3-242-A0	BEARING, needle	1	2	0				
22			5112-203-231-00	SHIM/t=0.1	AR		0				
22A			5112-203-232-00	SHIM/t=0.2	AR		0				
22B			5112-203-233-00	SHIM/t=0.4	AR		0				
22C			5112-203-234-00	SHIM/t=0.6	AR		0				
23			5491-202-105-00	CRANK CASE COMP	1		0				
24			5551-A04-100-00	PIN, dowel	2		0				
25			5110-092-374-00	GASKET	1		0				
26			5112-204-212-00	BEARING, RB/6202C3	2		0				
27			5105-014-231-A0	SEAL, oil	1		0				
28			5125-514-231-00	SEAL, oil	1		0				
29			5214-B05-20A-00	SCREW/M5X20	4		0				
30			5115-014-174-00	SCREW/M5X28	4		0				
31			5481-J35-000-00	RING, snap	1		0				
32			5150-012-716-00	CARBURETOR ASSY	1		0				
33			5105-016-181-A0	INSULATOR	1		0				
34			5105-016-182-A0	PIPE, inlet	1		0				
35			5105-016-184-A0	GASKET	1		0				
36			5105-026-184-A0	GASKET	1		0				
37			5214-B05-250-00	SCREW/M5X25	2		0				
38			5510-012-166-00	TANK, fuel	1		0				
39			5105-016-811-A0	TUBE	1		0				
40			5171-966-812-00	CLIP	2		0				
41			5104-016-641-A0	CAP, tank	1		0				
42			5111-206-646-B0	BREATHER	1		0				

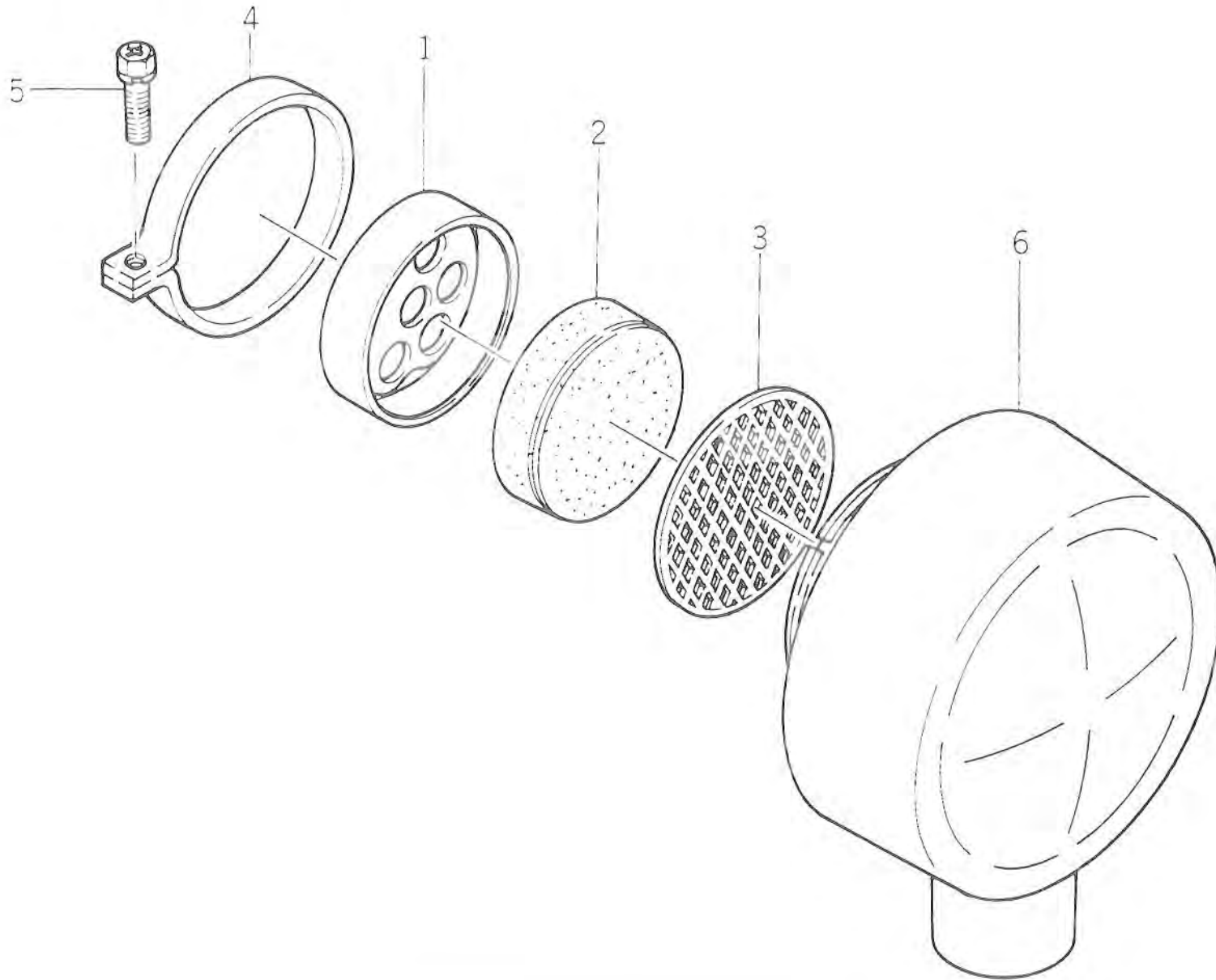


KEY#	S P C	C H G	PART CODE	DESCRIPTION	Q T Y	U P T O	T F	-FROM	UPTO	REMARKS
43			5119-016-662-A0	STRAINER, fuel	1	0				
44			5119-016-663-B0	GASKET	1	0				
45			5110-092-785-00	GASKET	1	0				
46			5105-018-512-A0	WIRE, lead	1	0				
47			5105-013-540-A0	CLUTCH ASSY	1	0				
48			5105-013-551-A0	HOLDER, clutch	1	2				
49			5104-013-552-A0	SHOE, clutch	3	2				
50			5108-543-554-A0	SPRING	2	2				
51			5104-013-595-A0	WASHER	1	0				
52			5180-606-180-00	BOLT/M6X18	1	0				
53			5320-522-143-00	BRECKET, tank	1	0				
54			5320-522-144-00	BRACKET, tank	1	0				
55			5104-016-715-A0	DAMPER	2	0				
56			5232-B06-140-00	SCREW/M6X14	2	0				
57			5105-038-111-A0	FLYWHEEL	1	0				
58			5105-018-103-A0	COIL, ignition	1	0				
59			5105-018-465-A0	IGNITER	1	0				
60			5118-018-133-A0	WASHER	1	0				
61			5105-018-161-A0	CLAMP	1	0				
62			5119-508-161-B0	CLAMP	1	0				
63			5107-028-164-A0	GROMMET	1	0				
64			5117-528-164-00	GROMMET	1	0				
65			5119-018-167-B0	TUBE	1	0				
66			5187-B05-200-00	BOLT/M5X20	2	0				
67			5233-B04-080-00	SCREW/M4X8	3	0				
68			5314-B10-000-00	NUT/M10	1	0				
69			5510-A31-000-00	KEY	1	0				
70			5115-098-410-A0	PULG, spark(NGK BM6)	1	0				
71			5119-AA8-418-D0	CAP, plug	1	0				
72			5115-098-419-B0	SPRING	1	0				
73			5104-013-431-A0	RECOIL STARTER ASSY	1	0				
74			5104-013-432-A0	PULLEY	1	0				
75			5242-B06-200-00	SCREW/M6X20	4	0				
76			5232-B06-140-00	SCREW/M6X14	3	0				
77			5105-013-414-A0	PLATE	1	0				
78			5140-242-001-9B	COVER	1	0				
79			5131-692-422-00	PLATE	1	0				
80			5490-892-164-9B	SHROUD, engine	1	0				
81			5241-B05-120-00	SCREW/M5X12	5	0				
82			5233-B04-080-00	SCREW/M4X8	1	0				
83			5234-B06-120-00	SCREW/M6X12	4	0				
84			5540-122-388-00	CABLE, throttle	1	0				
85			5123-AA0-814-A0	LABEL, manual	1	0				
86			5107-210-814-A0	LABEL	1	0				
87			5560-312-311-00	LABEL, manual	1	0				



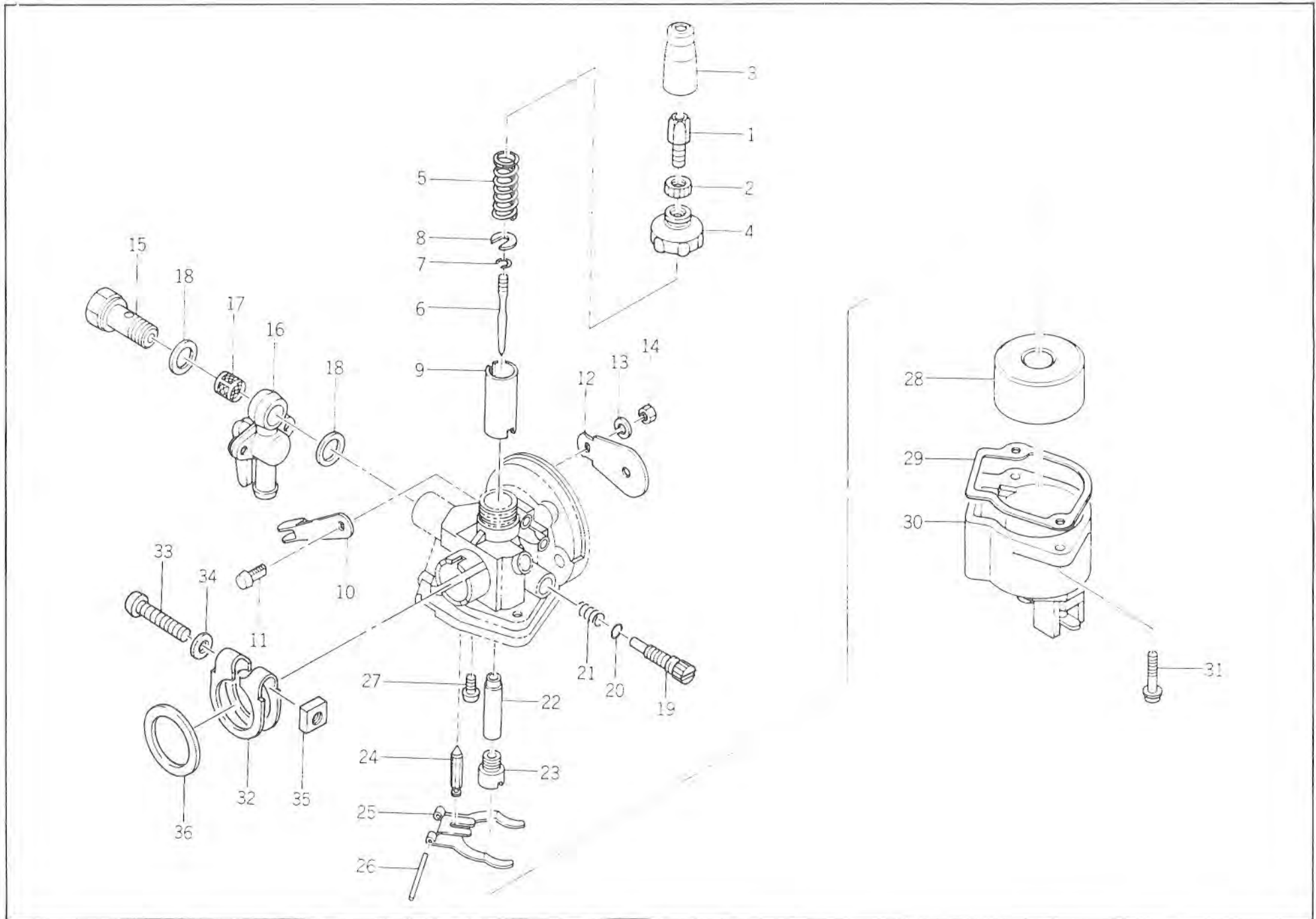
A
C
C
E
P
T
E
D

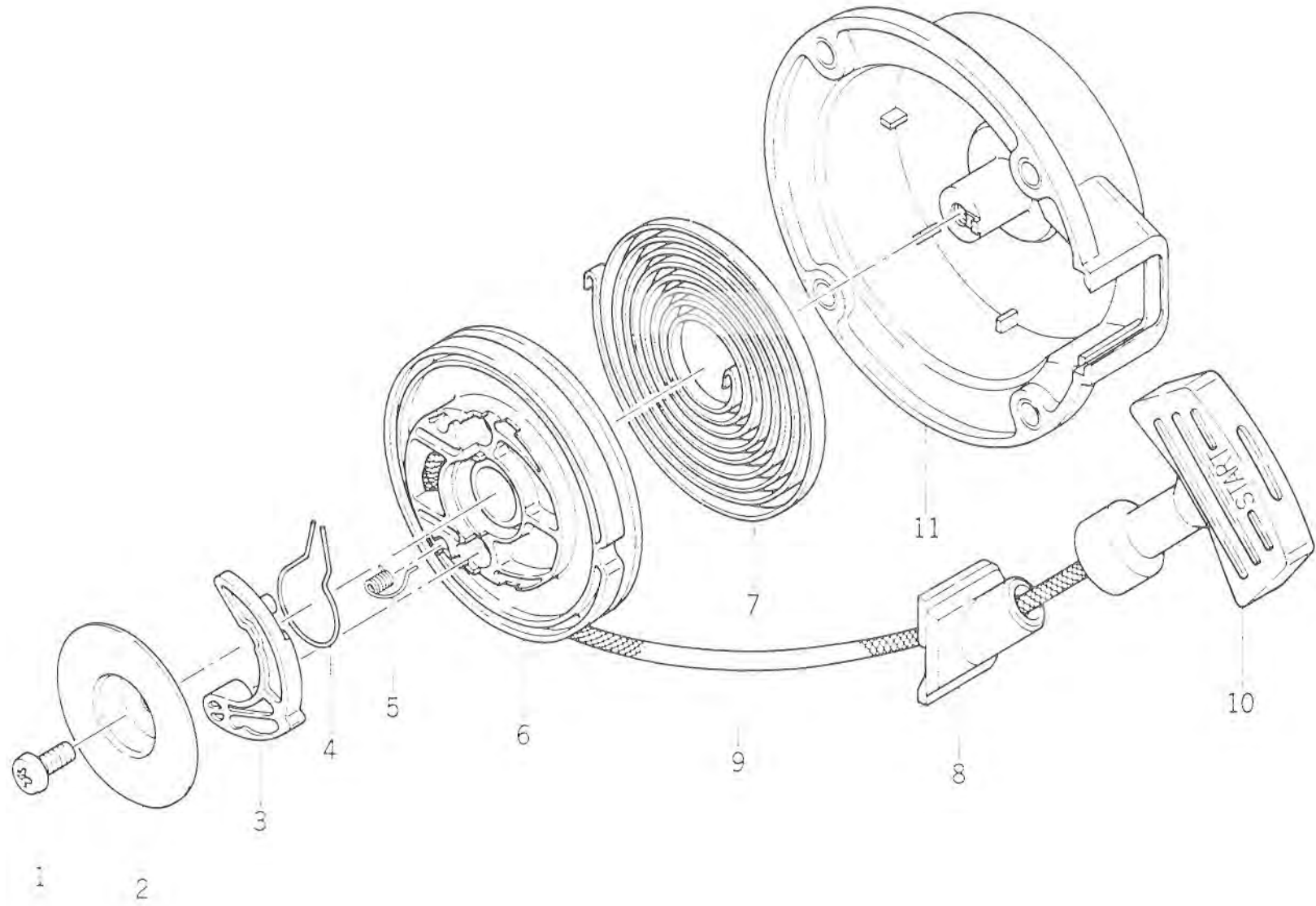
KEY#	S P C	C H G	PART CODE	DESCRIPTION	Q T Y	I T C	S C	T F	FROM	UPTO	REMARKS
88			5560-382-491-00	LABEL, brand	1		0				
89			5560-392-225-00	LABEL, product	1		0				
90			5560-072-106-00	TOOL KIT	1	1	0				
91			5131-220-942-01	WRENCH, socket/21x21	1	2	0				
92			5119-200-951-A0	DRIVER	1	2	0				



04-110305-5

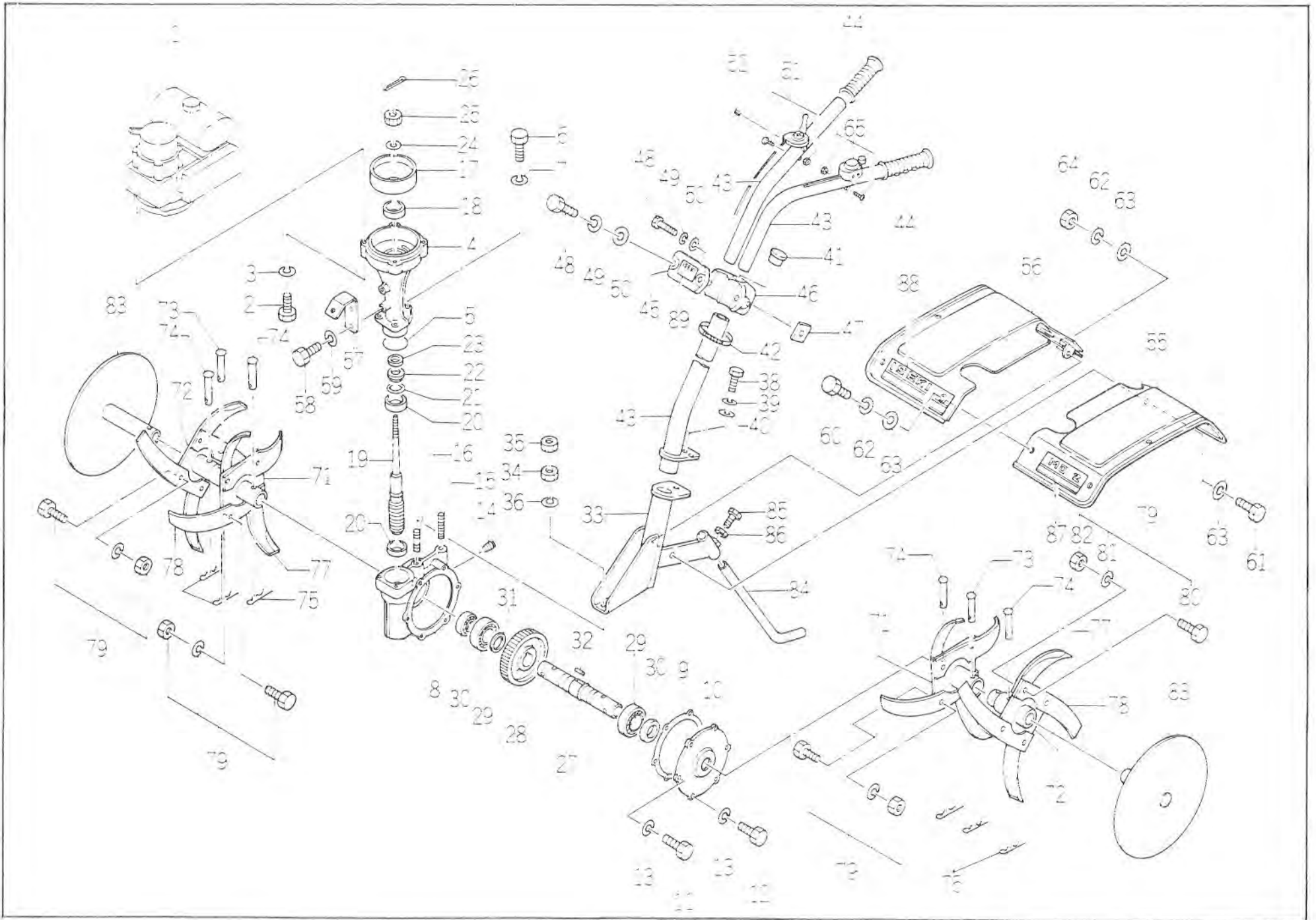
KEY#	S P C	C H G	PART CODE	DESCRIPTION	Q T Y	U N I T C	S I C	T F	-FROM	UPTO	REMARKS
0			5123-AA1-310-B0	AIR CLEANER ASSY	1	1	0				
1			5115-091-311-01	CASE,air cleaner	1	2	0				
2			5115-091-312-00	ELEMENT	1	2	0				
3			5123-AA1-317-A0	NET,air cleaner	1	2	0				
4			5115-3P1-315-A0	BAND	1	2	0				
5			5123-AA1-355-A0	BOLT	1	2	0				
6			5123-AA1-316-A0	CAP,air cleaner	1	2	0				



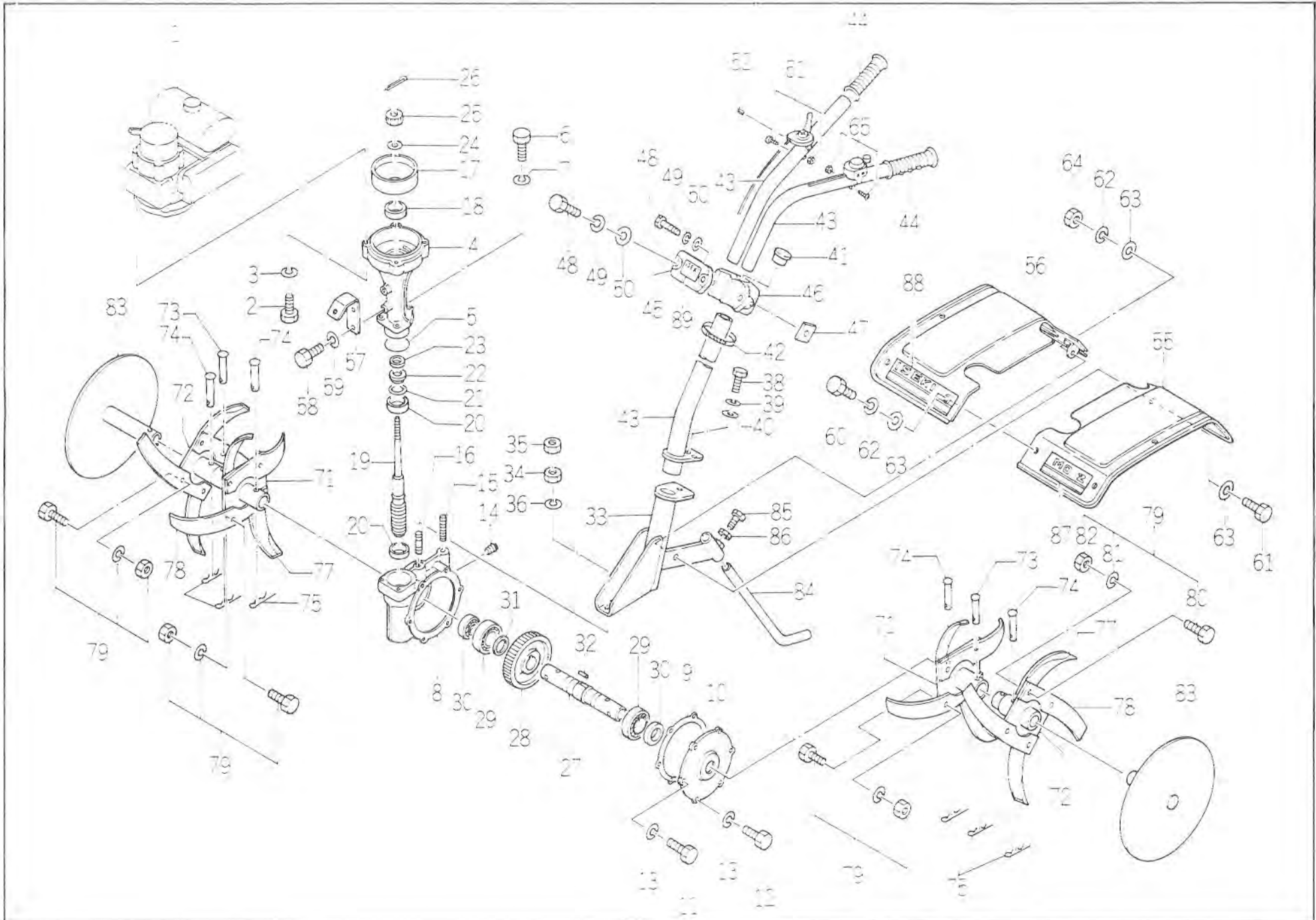


CROSS SECTION

KEY#	S P C	C H G	PART CODE	DESCRIPTION	Q T Y	I T C	S C	T F	FROM	UPTO	REMARKS
0			5104-013-431-A0	RECOIL STARTER ASSY	1	1	0				
1			5920-092-199-00	SCREW	1	2	0				
2			5119-013-449-B0	RETAINER	1	2	0				
3			5114-003-445-00	PAWL, recoil	1	2	0				
4			5114-003-446-00	SPRING	1	2	0				
5			5114-003-444-B0	SPRING, return	1	2	0				
6			5104-013-441-A0	REEL, recoil	1	2	0				
7			5104-013-452-A0	SPRING, recoil	1	2	0				
8			5119-013-435-A0	GUIDE, rope	1	2	0				
9			5104-013-453-A0	ROPE/3.8X1200	1	2	0				
10			5104-013-454-A0	HANDLE, recoil starter	1	2	0				
11			5104-013-437-A0	CASE, recoil starter	1	2	0				



KEY#	S P C	C H G	PART CODE	DESCRIPTION	Q T Y	U N I T	REMARKS	T O F	FROM	UPTO	REMARKS
1				ENGINE ASSY	1	A					
2			V200-260-603-50	BOLT M 6X35	4						
3			V401-160-006-00	WASHER, SP/M 6	4						
4			1379-216-001-10	HOUSING, CLUTCH	1						
5			1379-216-002-00	O-RING/S38	1						
6			V200-260-602-00	BOLT/M 6X20	3						
7			V401-160-006-00	WASHER, SP/M 6	3						
8			1379-216-003-30	CASE, GAR	1						
9			1379-216-004-00	PACKING, CASE	1						
10			1379-216-005-1*	METAL, WHEEL	1						
11			0 1379-216-006-00	SILVER BOLT/M6X18	1						
12			V200-260-601-80	BOLT/M 6X18	5						
13			V401-160-006-00	WASHER, SP/M 6	6						
14			7955-201-026-00	PLUG, DRAIN (1/4)	1						
15			V252-341-002-50	STUD/M10X25 7T	1						
16			1379-216-007-00	BOLT/M10X25	1						
17			1379-217-200-00	DRUM, CLUTCH	1						
18			V600-150-600-30	BEARING, RB/6003SS	1						
19			1379-217-210-00	GEAR, WORM	1						
20			V600-110-600-30	BEARING, RB/6003	2						
21			1379-217-001-00	WASHER/17X25X1	1						
22			V610-115-110-30	BEARING, TB/51103	1						
23			V742-117-230-30	SEAL, OIL/VC17233	1						
24			1421-507-014-00	WASHER/6X24X2	1						
25			V325-261-106-00	NUT/M6	1						
26			V500-151-601-50	PIN, SPLIT/1.6X15	1						
27			1379-225-001-00	SHAFT, OUTPUT	1						
28			1379-225-002-00	WHEEL, WORM	1						
29			V600-110-620-50	BEARING, RB/6205	2						
30			V744-125-400-70	SEAL, OIL/TC25407	2						
31			1379-225-003-00	COLLAR, THRUST	1						
32			1379-225-004-00	KEY, 5X5X15	1						
33			1379-301-200-10	BRACKET, HANDLE	1						
34			V300-260-010-00	NUT/M10	2						
35			V302-260-010-00	NUT/M10	2						
36			V401-160-010-00	WASHER, SP M10	2						
37			1379-301-220-00	PIPE, HANDLE COMP	1						
38			V201-261-002-50	BOLT M10X25	1						
39			V401-160-010-00	WASHER, SP M10	1						
40			V413-160-010-00	WASHER, PL M10	1						
41			1379-301-002-00	CAP, HANDLE	1						
42			1342-402-006-00	BAND, WIRE 250	2						
43			1379-311-001-1*	HANDLE FLASH WHITE	1						



KEY#	S P C	C H G	PART CODE	DESCRIPTION	Q T Y	I T C	S C	T F	FROM	UPTO	REMARKS
44			1379-311-002-00	GRIP,HANDLE	2		0				
45			1379-311-003-00	METAL,HANDLE A	1		0				
46			1379-311-004-0*	METAL,HANDLE B	1		0				
			0	FLASH WHITE							
47			1379-311-005-00	PLATE,METAL HANDLE	1		0				
48			V201-260-803-50	BOLT/M 8X35	3		0				
49			V401-160-008-00	WASHER,SP/M 8	3		0				
50			V413-160-008-00	WASHER,PL/M 8	3		0				
51			1379-402-200-00	LEVER,THROTTLE ASSY	1		0				
52			1409-117-006-00	CLIP,M TYPE	1		0				
55			1379-616-200-10	FENDER,LH	1		0				
56			1379-616-210-10	FENDER,RH	1		0				
57			1379-616-220-00	SUPPORT,FENDER	1		0				
58			V200-260-601-40	BOLT/M 6X14	2		0				
59			V401-160-006-00	WASHER,SP/M 6	2		0				
60			V201-260-801-60	BOLT/M 8X16	1		0				
61			V201-260-802-50	BOLT/M 8X25	1		0				
62			V401-160-008-00	WASHER,SP/M 8	2		0				
63			V413-160-008-00	WASHER,PL/M 8	3		0				
64			V300-260-008-00	NUT/M 8	1		0				
65			1391-621-200-00	SWITCH,STOP ASSY	1		0				
70			□-99(200)	SET	1		A				
71			1379-717-200-0*	PIPE,ROTARY (A) COMP	2		0				
			0	SCARLET							
72			1379-717-210-0*	PIPE,ROTARY (B) COMP	2		0				
			0	SCARLET							
73			1310-241-003-00	PIN,HEADED A	2		0				
74			1310-241-004-00	PIN,HEADED B	4		0				
75			1305-241-001-00	PIN,HAIR	6		0				
76			†47A*(16)	SET	1		A				
77			1379-716-001-00	BLADE,LH/C141	8		0				
78			1379-716-002-00	BLADE,RH/C141	8		0				
79			1379-717-240-00	BOLT(M8X25)SET	16		0				
83			1379-716-210-1*	DISK COMP	2		0				
			0	MIRROR BLACK							
84			1379-726-001-00	BAR,DEPTH	1		0				
85			V201-261-002-50	BOLT M10X25	1		0				
86			V302-260-010-00	NUT M10	1		0				
87			1379-901-001-00	†-†45(71.8") (A)	1		0				
88			1379-901-002-00	†-†45(71.8") (B)	1		0				
89			1379-901-003-00	50" (1270)	1		0				

PART CODE	REF. NO.	PART CODE	REF. NO.	PART CODE	REF. NO.	PART CODE	REF. NO.	PART CODE	REF. NO.
1305-241-001-00	7 - 75	5104-013-431-A0	4 - 9	5108-026-153-A0	3 - 11	5123-AA1-310-B0	1 - 4	5411-B06-000-00	1 - 15
1310-241-003-00	7 - 73	5104-013-432-A0	1 - 74	5108-543-554-A0	1 - 50		2 - 0	5481-J35-000-00	1 - 31
1310-241-004-00	7 - 74	5104-013-437-A0	4 - 11	5110-052-096-00	1 - 1	5123-AA1-316-A0	2 - 6	5490-892-164-9B	1 - 80
1342-402-006-00	7 - 42	5104-013-441-A0	4 - 6	5110-092-373-00	1 - 2	5123-AA1-317-A0	2 - 3	5491-202-105-00	1 - 23
1379-216-001-10	7 - 4	5104-013-452-A0	4 - 7	5110-092-374-00	1 - 25	5123-AA1-330-A0	1 - 5	5510-012-166-00	1 - 38
1379-216-002-00	7 - 5	5104-013-453-A0	4 - 9	5110-092-785-00	1 - 45	5123-AA1-347-A0	1 - 6	5510-A31-000-00	1 - 69
1379-216-003-30	7 - 8	5104-013-454-A0	4 - 10	5111-206-103-00	3 - 5	5123-AA1-348-A0	1 - 9	5540-122-388-00	1 - 84
1379-216-004-00	7 - 9	5104-013-552-A0	1 - 49	5111-206-146-00	3 - 2	5123-AA1-354-A0	1 - 7	5551-A04-100-00	1 - 24
1379-216-005-10	7 - 10	5104-013-595-A0	1 - 51		3 - 14	5123-AA1-355-A0	2 - 5	5560-072-106-00	1 - 90
1379-216-006-00	7 - 11	5104-016-142-A0	3 - 10	5111-206-646-B0	1 - 42	5123-AA1-356-A0	1 - 8	5560-312-311-00	1 - 87
1379-216-007-00	7 - 16	5104-016-169-A0	3 - 3	5111-AA6-177-A0	3 - 36	5123-AA3-242-A0	1 - 21	5560-382-491-00	1 - 88
1379-217-001-00	7 - 21	5104-016-641-A0	1 - 41	5112-203-231-00	1 - 22	5125-106-102-A0	3 - 12	5560-392-225-00	1 - 89
1379-217-200-00	7 - 17	5104-016-715-A0	1 - 55	5112-203-232-00	1 - 22A	5125-514-231-00	1 - 28	5920-092-199-00	4 - 1
1379-217-210-00	7 - 19	5105-011-482-A0	1 - 13	5112-203-233-00	1 - 22B	5128-011-283-A0	1 - 3	5920-632-147-00	3 - 23
1379-225-001-00	7 - 27	5105-013-414-A0	1 - 77	5112-203-234-00	1 - 22C	5128-011-443-A0	1 - 12	7955-201-026-00	7 - 14
1379-225-002-00	7 - 28	5105-013-540-A0	1 - 47	5112-204-212-00	1 - 26	5128-013-010-A0	1 - 17	V200-260-601-40	7 - 58
1379-225-003-00	7 - 31	5105-013-551-A0	1 - 48	5112-206-134-00	3 - 7	5128-013-122-A0	1 - 19	V200-260-601-80	7 - 12
1379-225-004-00	7 - 32	5105-014-231-A0	1 - 27	5112-206-140-00	3 - 1	5128-016-122-A0	3 - 24	V200-260-602-00	7 - 6
1379-301-002-00	7 - 41	5105-016-106-A0	3 - 6	5114-003-444-B0	4 - 5	5130-012-086-00	1 - 16	V200-260-603-50	7 - 2
1379-301-200-10	7 - 33	5105-016-118-A0	3 - 18	5114-003-445-00	4 - 3	5130-022-067-00	1 - 18	V201-260-801-60	7 - 60
1379-301-220-00	7 - 37	5105-016-135-A0	3 - 15	5114-003-446-00	4 - 4	5131-220-942-01	1 - 91	V201-260-802-50	7 - 61
1379-311-001-10	7 - 43	5105-016-168-A0	3 - 17	5114-166-101-00	3 - 9	5131-692-422-00	1 - 79	V201-260-803-50	7 - 48
1379-311-002-00	7 - 44	5105-016-181-A0	1 - 33	5115-014-174-00	1 - 30	5140-242-001-9B	1 - 78	V201-261-002-50	7 - 38
1379-311-003-00	7 - 45	5105-016-182-A0	1 - 34	5115-026-116-00	3 - 21	5150-012-716-00	1 - 32		7 - 85
1379-311-004-00	7 - 46	5105-016-184-A0	1 - 35	5115-026-145-00	3 - 8		3 - 0	V252-341-002-50	7 - 15
1379-311-005-00	7 - 47	5105-016-311-A0	1 - 39	5115-091-311-01	2 - 1	5171-966-812-00	1 - 40	V300-260-008-00	7 - 64
1379-402-200-00	7 - 51	5105-018-103-A0	1 - 58	5115-091-312-00	2 - 2	5180-G06-180-00	1 - 52	V300-260-010-00	7 - 34
1379-616-200-10	7 - 55	5105-018-161-A0	1 - 61	5115-098-410-A0	1 - 70	5187-B05-200-00	1 - 66	V302-260-010-00	7 - 35
1379-616-210-10	7 - 56	5105-018-465-A0	1 - 59	5115-098-419-B0	1 - 72	5214-B03-060-00	3 - 27		7 - 86
1379-616-220-00	7 - 57	5105-018-512-A0	1 - 46	5115-3P1-315-A0	2 - 4	5214-B05-20A-00	1 - 29	V325-261-106-00	7 - 25
1379-716-001-00	7 - 77	5105-026-184-A0	1 - 36	5115-436-147-00	3 - 13	5214-B05-250-00	1 - 37	V401-160-006-00	7 - 3
1379-716-002-00	7 - 78	5105-031-431-A0	1 - 11	5117-296-110-A0	3 - 16	5214-B05-300-00	3 - 33		7 - 7
1379-716-210-10	7 - 83	5105-033-210-A0	1 - 20	5117-528-164-00	1 - 64	5232-B04-160-00	3 - 31		7 - 13
1379-717-200-00	7 - 71	5105-036-105-A0	3 - 4	5118-018-133-A0	1 - 60	5232-B06-140-00	1 - 56		7 - 59
1379-717-210-00	7 - 72	5105-038-111-A0	1 - 57	5119-013-435-A0	4 - 8		1 - 76	V401-160-008-00	7 - 49
1379-717-240-00	7 - 79	5105-051-410-A0	1 - 10	5119-013-449-B0	4 - 2	5233-B04-080-00	1 - 67		7 - 62
1379-726-001-00	7 - 84	5105-056-114-A0	3 - 19	5119-016-126-A0	3 - 28		1 - 82	V401-160-010-00	7 - 36
1379-901-001-00	7 - 87	5105-056-146-A0	3 - 35	5119-016-127-A0	3 - 26	5234-B06-120-00	1 - 83		7 - 39
1379-901-002-00	7 - 88	5105-056-177-A0	3 - 20	5119-016-662-A0	1 - 43	5241-B05-120-00	1 - 14	V413-160-008-00	7 - 50
1379-901-003-00	7 - 89	5105-056-179-A0	3 - 32	5119-016-663-B0	1 - 44		1 - 81		7 - 63
1391-621-200-00	7 - 65	5107-028-164-A0	1 - 63	5119-018-167-B0	1 - 65	5242-B06-200-00	1 - 75	V413-160-010-00	7 - 40
1409-117-006-00	7 - 52	5107-210-314-A0	1 - 86	5119-200-951-A0	1 - 92	5314-B10-000-00	1 - 68	V500-151-601-50	7 - 26
1421-507-014-00	7 - 24	5108-026-128-A0	3 - 29	5119-508-161-B0	1 - 62	5320-522-143-00	1 - 53	V600-110-600-30	7 - 20
5102-016-178-B0	3 - 25	5108-026-129-A0	3 - 22	5119-AA8-418-D0	1 - 71	5320-522-144-00	1 - 54	V600-110-620-50	7 - 29
5104-013-431-A0	1 - 73	5108-026-130-A0	3 - 30	5123-AA0-314-A0	1 - 85	5410-B0F-000-00	3 - 34	V600-150-600-30	7 - 18

DESCRIPTION	REF. NO.	DESCRIPTION	REF. NO.	DESCRIPTION	REF. NO.	DESCRIPTION	REF. NO.
ADJUSTER, cable	3 - 1	CLAMP	1 - 62	LABEL, brand	1 - 88	RIPE, ROTARY (A) COMP	7 - 71
AIR CLEANER ASSY	1 - 4	CLIP	1 - 9	LABEL, manual	1 - 85	ROPE 3.8X1200	4 - 9
	2 - 0		1 - 40		1 - 37	ROTARY (2) SET	7 - 70
BAND	2 - 4	CLIP, M TYPE	7 - 52	LABEL, product	1 - 89	SCREW	4 - 1
BAND, WIRE, 250	7 - 42	CLIP, needle	3 - 7	LABEL, MODEL	7 - 89	SCREW, slow stop	3 - 19
BAND, body	3 - 32	CLUTCH ASSY	1 - 47	LEVER, THROTTLE ASSY	7 - 51	SCREW/M3X6	3 - 27
BAR, DERTH	7 - 84	COIL, ignition	1 - 58	LEVER, choke	3 - 10	SCREW/M4X16	3 - 31
BEARING, RB/6003	7 - 20	COLLAR, THRUST	7 - 31	METAL, HANDLE A	7 - 45	SCREW/M4X8	1 - 67
BEARING, RB/6003SS	7 - 18	COVER	1 - 78	METAL, HANDLE B	7 - 46		1 - 82
BEARING, RB/6202C3	1 - 26	COVER, muffler	1 - 11	METAL, WHEEL	7 - 10	SCREW/M5X12	1 - 14
BEARING, RB/6205	7 - 29	CRANK CASE COMP	1 - 23	MUFFLER ASSY	1 - 10		1 - 81
BEARING, TB/51103	7 - 22	CRANKSHAFT ASSY	1 - 30	NEEDLE, jet/#028	3 - 6	SCREW/M5X20	1 - 29
BEARING, needle	1 - 21	CYLINDER	1 - 1	NET, air cleaner	2 - 3	SCREW/M5X25	1 - 37
BLADE (16) SET	7 - 76	DAMPER	1 - 55	NUT	3 - 35	SCREW/M5X28	1 - 30
BLADE, LH/C141	7 - 77	DISK COMP	7 - 83	NUT, lock	3 - 2	SCREW M5X30	3 - 33
BLADE, RH/C141	7 - 78	DRIVER	1 - 92		3 - 14	SCREW/M6X12	1 - 83
BOLT	1 - 3	DRUM, CLUTCH	7 - 17	NUT/M 8	7 - 64	SCREW/M6X14	1 - 56
	1 - 8	ELBOW	1 - 7	NUT/M10	1 - 68		1 - 76
	1 - 13	ELEMENT	2 - 2		7 - 34	SCREW/M6X20	1 - 75
	2 - 5	ENGINE ASSY	7 - 1		7 - 35	SEAL, oil	1 - 28
	3 - 11	FENDER, LH	7 - 55	NUT/M6	7 - 86	SEAL, OIL/TC25407	7 - 30
BOLT (M8X25) SET	7 - 79	FENDER, RH	7 - 56	O-RING	7 - 25	SEAL, OIL/VC17233	7 - 23
BOLT, banjo	3 - 15	FLOAT	3 - 28	O-RING	3 - 20	SEAL, oil	1 - 27
BOLT M 6X14	7 - 58	FLOAT CHAMBER ASSY	3 - 30	O-RING/S38	7 - 5	SHAFT, OUTPUT	7 - 27
BOLT M 6X18	7 - 12	FLYWHEEL	1 - 57	ORNAMENT A	7 - 87	SHIM/t=0.1	1 - 22
BOLT/M 6X20	7 - 6	FUEL VALVE ASSY	3 - 16	ORNAMENT/B	7 - 88	SHIM/t=0.2	1 - 22A
BOLT/M 6X35	7 - 2	GASKET	1 - 2	PACKING, CASE	7 - 9	SHIM/t=0.4	1 - 22B
BOLT/M 8X16	7 - 60		1 - 12	PAWL, recoil	4 - 3	SHIM t=0.6	1 - 22C
BOLT/M 8X25	7 - 61		1 - 25	PIN	3 - 26	SHOE, clutch	1 - 49
BOLT/M 8X35	7 - 48		1 - 35	PIN, HAIR	7 - 75	SHROUD, engine	1 - 80
BOLT/M10X25	7 - 16		1 - 36	PIN, HEADED A	7 - 73	SPRING	1 - 50
	7 - 38		1 - 44	PIN, HEADED B	7 - 74		1 - 72
	7 - 85		1 - 45	PIN, SPLIT 1.6X15	7 - 26		3 - 21
BOLT/M5X20	1 - 66		3 - 18	PIN, dowel	1 - 24		4 - 4
BOLT/M6X18	1 - 52		3 - 29	PIN, piston	1 - 18	SPRING, recoil	4 - 7
	7 - 11		3 - 36	PIPE, inlet	1 - 34	SPRING, return	4 - 5
BRACKET, tank	1 - 54	GEAR, WORM	7 - 19	PIPE, HANDLE COMP	7 - 37	SPRING, valve	3 - 5
BRACKET, HANDLE	7 - 33	GRIP, HANDLE	7 - 44	PIPE, ROTARY (B) COMP	7 - 72	STRAINER	3 - 17
BREATHER	1 - 42	GROMMET	1 - 63	PISTON	1 - 16	STRAINER, fuel	1 - 43
BRECKET, tank	1 - 53		1 - 64	PISTON RING SET	1 - 17	STUD/M10X25 7T	7 - 15
CABLE, throttle	1 - 84	GUIDE, rope	4 - 8	PLATE	1 - 77	SUPPORT, FENDER	7 - 57
CAP	3 - 3	HANDLE	7 - 43		1 - 79	SWITCH, STOP ASSY	7 - 65
CAP, plug	1 - 71	HANDLE, recoil starter	4 - 10	PLATE, METAL HANDLE	7 - 47	TANK, fuel	1 - 38
CAP, tank	1 - 41	HINGE, float	3 - 25	PLUG, DRAIN (1/4)	7 - 14	TOOL KIT	1 - 90
CAP, HANDLE	7 - 41	HOLDER, clutch	1 - 48	PULG, spark (NGK BM6)	1 - 70	TUBE	1 - 6
CAP, air cleaner	2 - 6	HOUSING, CLUTCH	7 - 4	PULLEY	1 - 74		1 - 39
CAP, body	3 - 4	IGNITER	1 - 59	RECOIL STARTER ASSY	1 - 73		1 - 65
CARBURETOR ASSY	1 - 32	INSULATOR	1 - 33		4 - 0	TUBE ASSY	1 - 5
	3 - 0	JET, main #58	3 - 23	REEL, recoil	4 - 6	VALVE, choke	3 - 12
CASE, recoil starter	4 - 11	JET, needle	3 - 22	RETAINER	4 - 2	VALVE, needle	3 - 24
CASE, GAR	7 - 8	KEY	1 - 69	RETAINER, valve	3 - 8	VALVE, throttle	3 - 9
CASE, air cleaner	2 - 1	KEY/5X5X15	7 - 32	RING, snap	1 - 31	WASHER	1 - 15
CLAMP	1 - 61	LABEL	1 - 86	RING, snap	1 - 19		1 - 51

ISEKI CODE	MAKER'S CODE	ISEKI CODE	MAKER'S CODE	ISEKI CODE	MAKER'S CODE	ISEKI CODE	MAKER'S CODE
5102-016-178-BO	3102016178B	5108-026-129-AO	3108026129A	5119-AA8-418-DO	3119AA8418D	5320-522-144-00	320522144
5104-013-431-AO	3104013431A	5108-026-130-AO	3108026130A	5123-AA0-814-AO	3123AA0814A	5410-B05-000-00	410B0500
5104-013-431-AO	3104013431A	5108-026-153-AO	3108026153A	5123-AA1-310-BO	3123AA1310B	5411-B06-000-00	411B0600
5104-013-432-AO	3104013432A	5108-543-554-AC	3108543554A	5123-AA1-310-BO	3123AA1310B	5481-J35-000-00	481J3500
5104-013-437-AO	3104013437A	5110-052-096-00	110052096	5123-AA1-316-AO	3123AA1316A	5490-892-164-9B	4908921649B
5104-013-441-AO	3104013441A	5110-092-373-00	110092373	5123-AA1-317-AO	3123AA1317A	5491-202-105-00	491202105
5104-013-452-AO	3104013452A	5110-092-374-00	110092374	5123-AA1-330-AO	3123AA1330A	5510-012-166-00	510012166
5104-013-453-AO	3104013453A	5110-092-785-00	110092785	5123-AA1-347-AO	3123AA1347A	5510-A31-000-00	510A3100
5104-013-454-AO	3104013454A	5111-206-103-00	311120610300	5123-AA1-348-AO	3123AA1348A	5540-122-388-00	540122388
5104-013-552-AO	3105013552A	5111-206-146-00	311120614600	5123-AA1-354-AO	3123AA1354A	5551-A04-100-00	551A0410
5104-013-595-AO	3104013595A	5111-206-146-00	311120614600	5123-AA1-355-AO	3123AA1355A	5560-072-106-00	560072106
5104-016-142-AO	3104016142A	5111-206-646-BO	3111206646B	5123-AA1-356-AO	3123AA1356A	5560-312-311-00	560312311
5104-016-169-AO	3104016169A	5111-AA6-177-AO	3111AA6177A	5123-AA3-242-AC	3123AA3242A	5560-382-491-00	560382491
5104-016-641-AO	3104016641A	5112-203-231-00	311220323100	5125-106-102-AO	3125106102A	5560-392-225-00	560392225
5104-016-715-AO	3104016715A	5112-203-232-00	311220323200	5125-514-231-00	312551423100	5920-092-199-00	920092199
5105-011-482-AO	3105011482A	5112-203-233-00	311220323300	5128-011-283-AO	3128011283A	5920-632-147-00	920632147
5105-013-414-AO	3105013414A	5112-203-234-00	311220323400	5128-011-443-AO	3128011443A		
5105-013-540-AO	3105013540A	5112-204-212-00	311220421200	5128-013-010-AO	3128013010A		
5105-013-551-AO	3105013551A	5112-206-134-00	311220613400	5128-013-122-AO	3128013122A		
5105-014-231-AX	3105014231A	5112-206-140-00	311220614000	5128-016-122-AO	3128016122A		
5105-016-106-AO	3105016106A	5114-003-444-BO	3114003444B	5130-012-086-00	130012086		
5105-016-118-AO	3105016118A	5114-003-445-00	311400344500	5130-022-067-00	130022067		
5105-016-135-AO	3105016135A	5114-003-446-00	311400344600	5131-220-942-01	313122094201		
5105-016-168-AO	3105016168A	5114-166-101-00	311416610100	5131-692-422-00	131692422		
5105-016-181-AO	3105016181A	5115-014-174-00	311501417400	5140-242-001-9B	1402440019B		
5105-016-182-AO	3105016182A	5115-026-116-00	311502611600	5150-012-716-00	150012716		
5105-016-184-AO	3105016184A	5115-026-145-00	311502614500	5150-012-716-00	150012716		
5105-016-811-AO	3105016811A	5115-091-311-01	311509131101	5171-966-812-00	317196681200		
5105-018-103-AO	3105018103A	5115-091-312-00	311509131200	5180-606-180-00	180G0618		
5105-018-161-AO	3105018161A	5115-098-410-AO	3115098410A	5187-B05-200-00	187B0520		
5105-018-465-AO	3105018465A	5115-098-419-BO	3115098419B	5214-B03-060-00	214B0306		
5105-018-512-AO	3105018512A	5115-3P1-315-AO	31153P1315A	5214-B05-20A-00	214B0520		
5105-026-184-AO	3105026184A	5115-436-147-00	311543614700	5214-B05-250-00	214B0525		
5105-031-431-AO	3105031431A	5117-296-110-AO	3117296110A	5214-B05-300-00	214B0530		
5105-033-210-AO	3105033210A	5117-528-164-00	311752816400	5232-B04-160-00	232B0416		
5105-036-105-AO	3105036105A	5118-018-133-AO	3118018133A	5232-B06-140-00	232B0614		
5105-038-111-AO	3105038111A	5119-013-435-AO	3119013435A	5232-B06-140-00	232B0614		
5105-051-410-AO	3105051410A	5119-013-449-BO	3119013449B	5233-B04-080-00	233B0408		
5105-056-114-AO	3105056114A	5119-016-126-AC	3119016126A	5233-B04-080-00	233B0408		
5105-056-146-AO	3105056146A	5119-016-127-AC	3119016127A	5234-B06-120-00	234B0612		
5105-056-177-AO	3105056177A	5119-016-662-AC	3119016662A	5241-B05-120-00	241B0512		
5105-056-179-AO	3105056179A	5119-016-663-BO	3119016663B	5241-B05-120-00	241B0512		
5107-028-164-AO	3107028164A	5119-018-167-BO	3119018167B	5242-B06-200-00	242B0620		
5107-210-814-AO	3107210814A	5119-200-951-AO	3119200951A	5314-B10-000-00	314B1000		
5108-026-128-AC	3108026128A	5119-508-161-BO	3119508161B	5320-522-143-00	320522143		

DESCRIPTION	REF. NO.	DESCRIPTION	REF. NO.	DESCRIPTION	REF. NO.	DESCRIPTION	REF. NO.
WASHER	1 - 60						
	3 - 34						
WASHER, PL/M 8	7 - 50						
	7 - 63						
WASHER, PL/M10	7 - 40						
WASHER, SP/M 6	7 - 3						
	7 - 7						
	7 - 13						
	7 - 59						
WASHER, SP/M 8	7 - 49						
	7 - 62						
WASHER, SP/M10	7 - 36						
	7 - 39						
WASHER, spring	3 - 13						
WASHER/17X25X1	7 - 21						
WASHER/6X24X2	7 - 24						
WHEEL, WORM	7 - 28						
WIRE, lead	1 - 46						
WRENCH, socket/21x21	1 - 91						