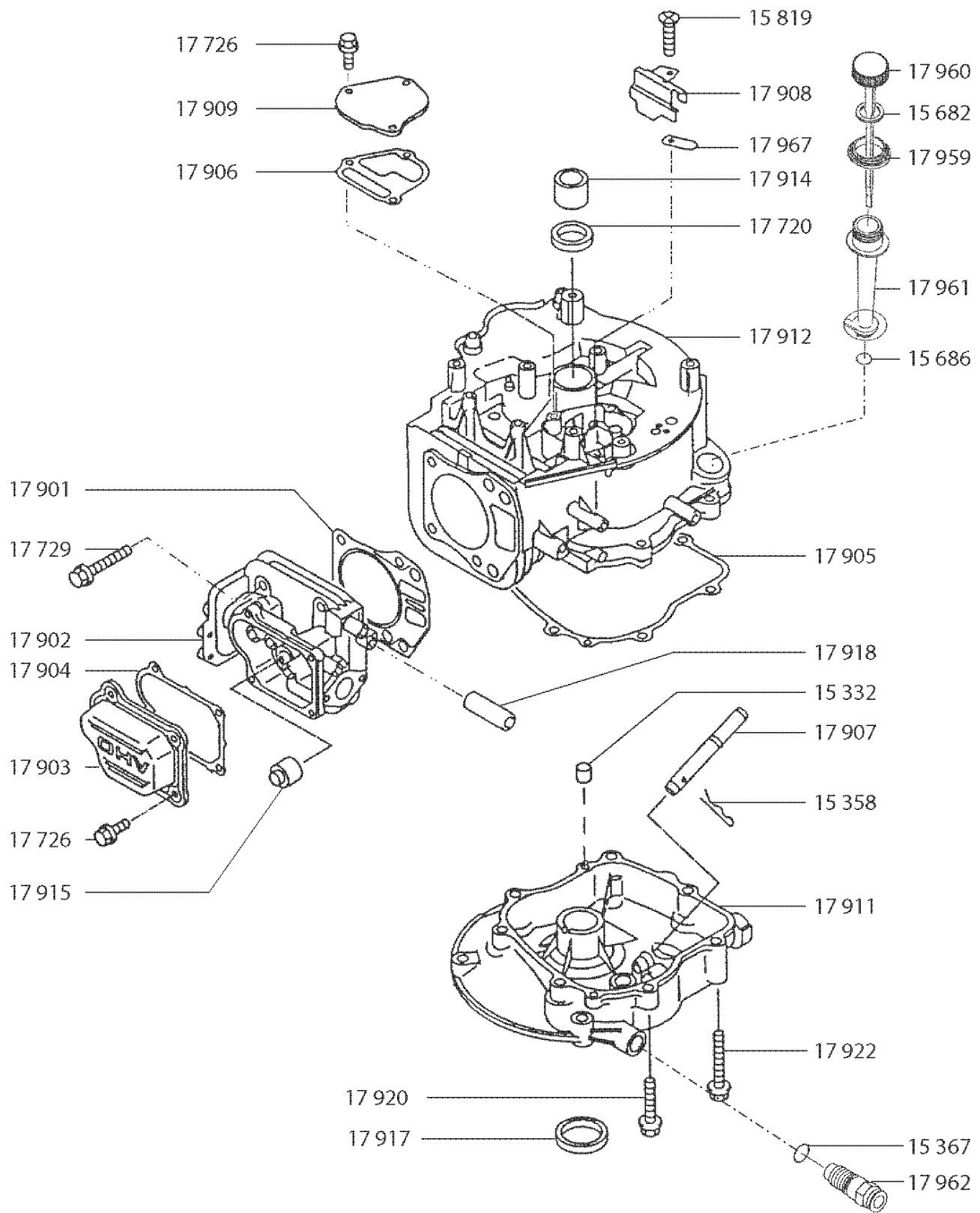
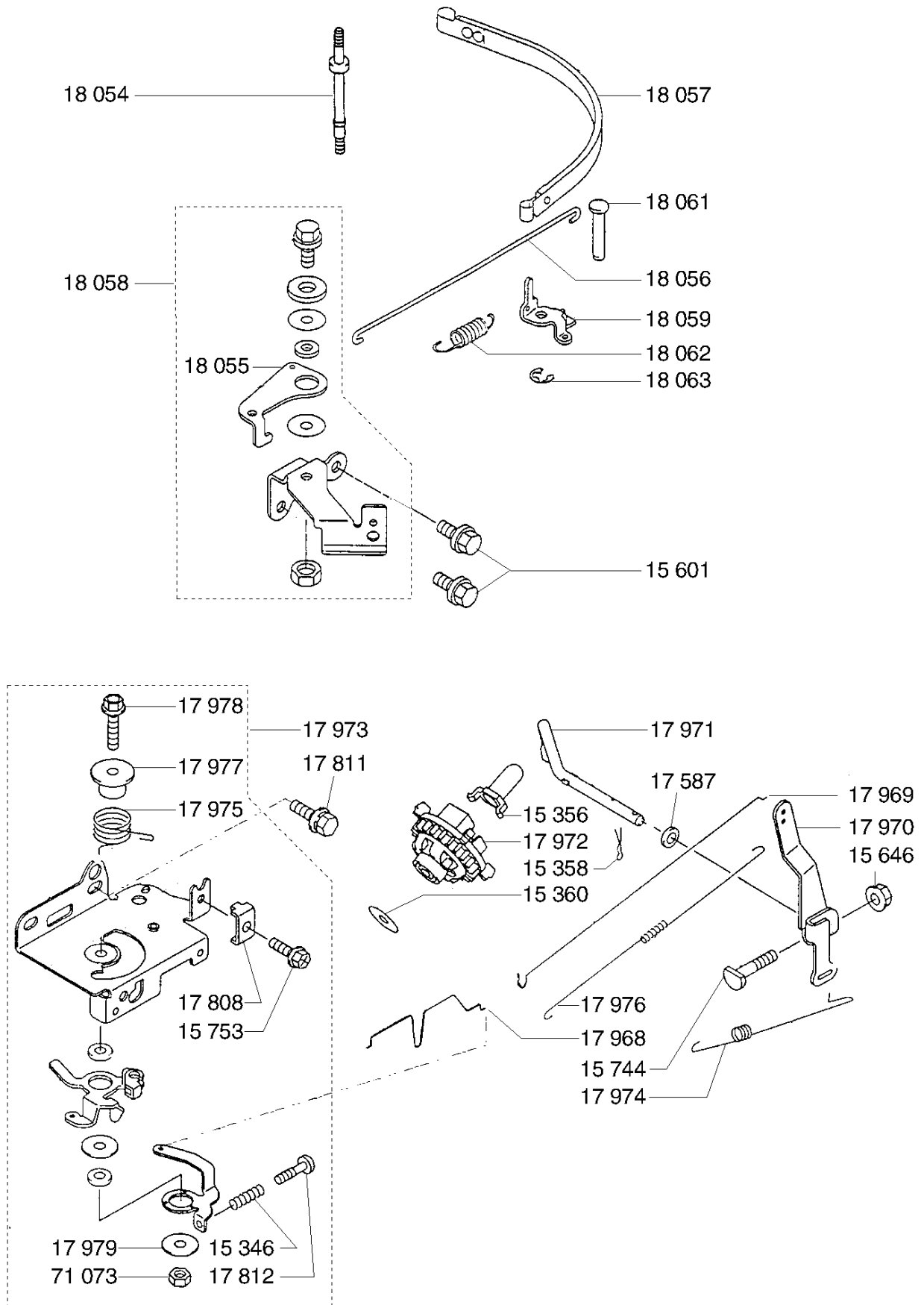


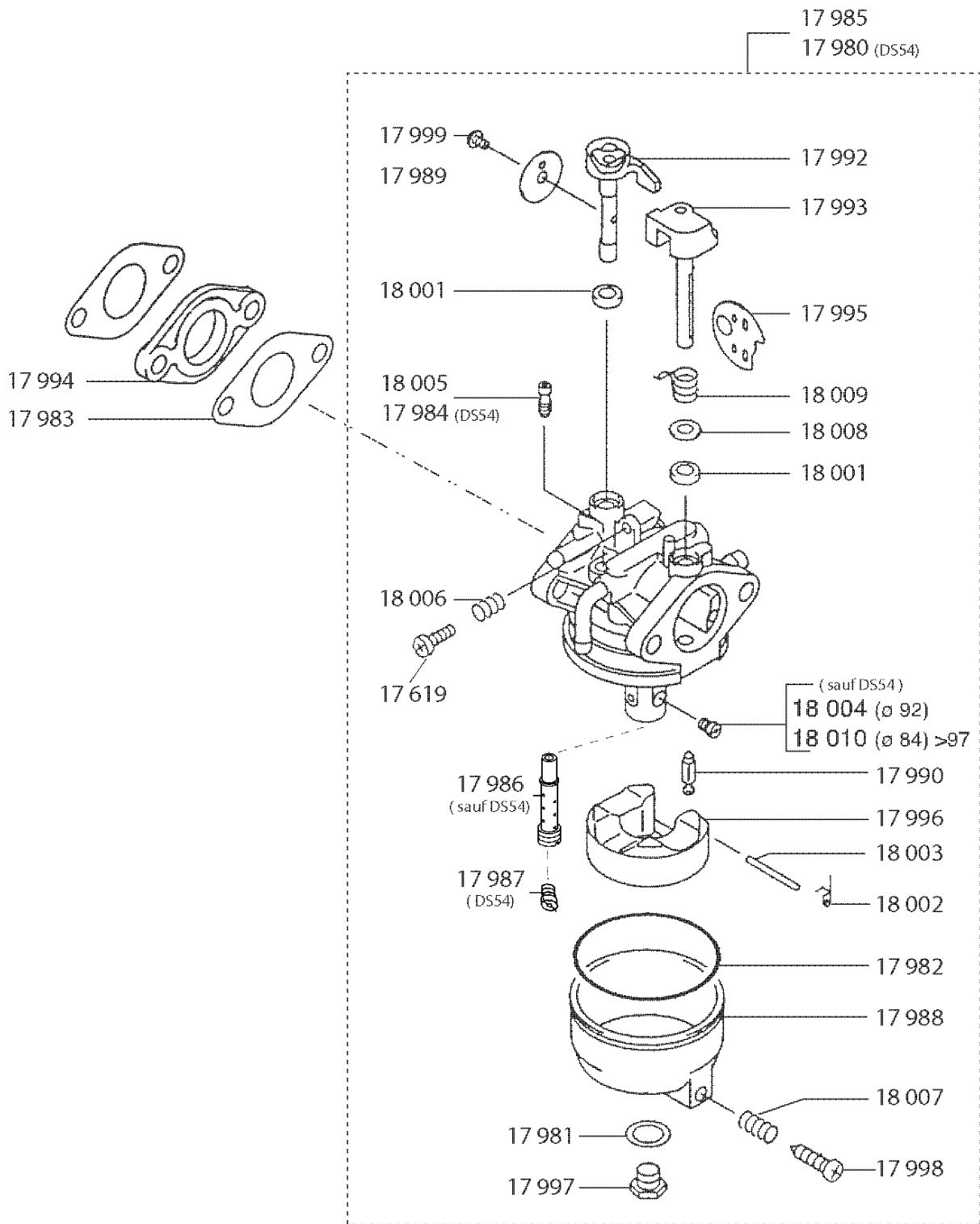
KAWASAKI OHV FC 180 V TAK -TKO -TKOE



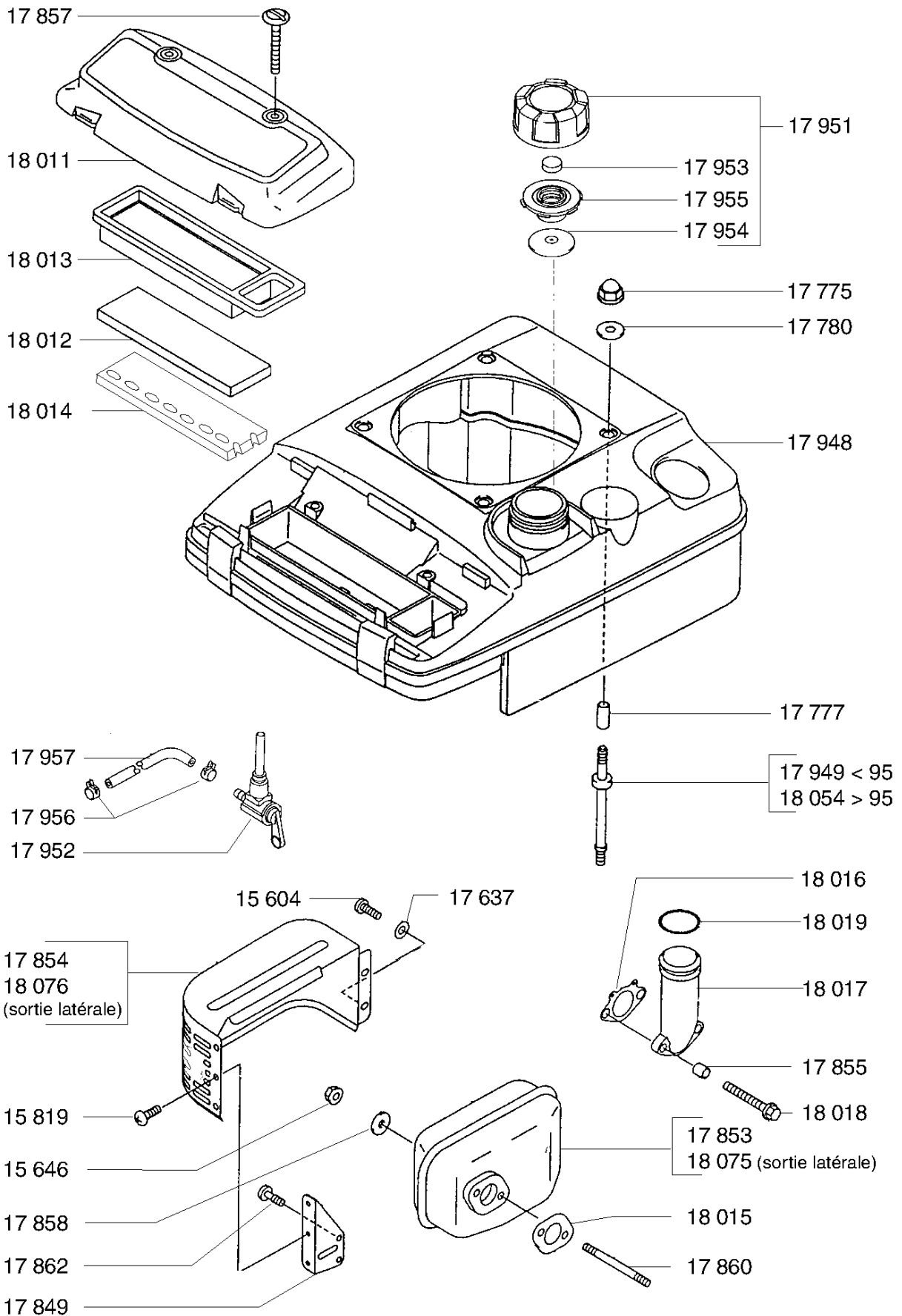
# KAWASAKI OHV FC 180 V TAK - TKO - TKOE



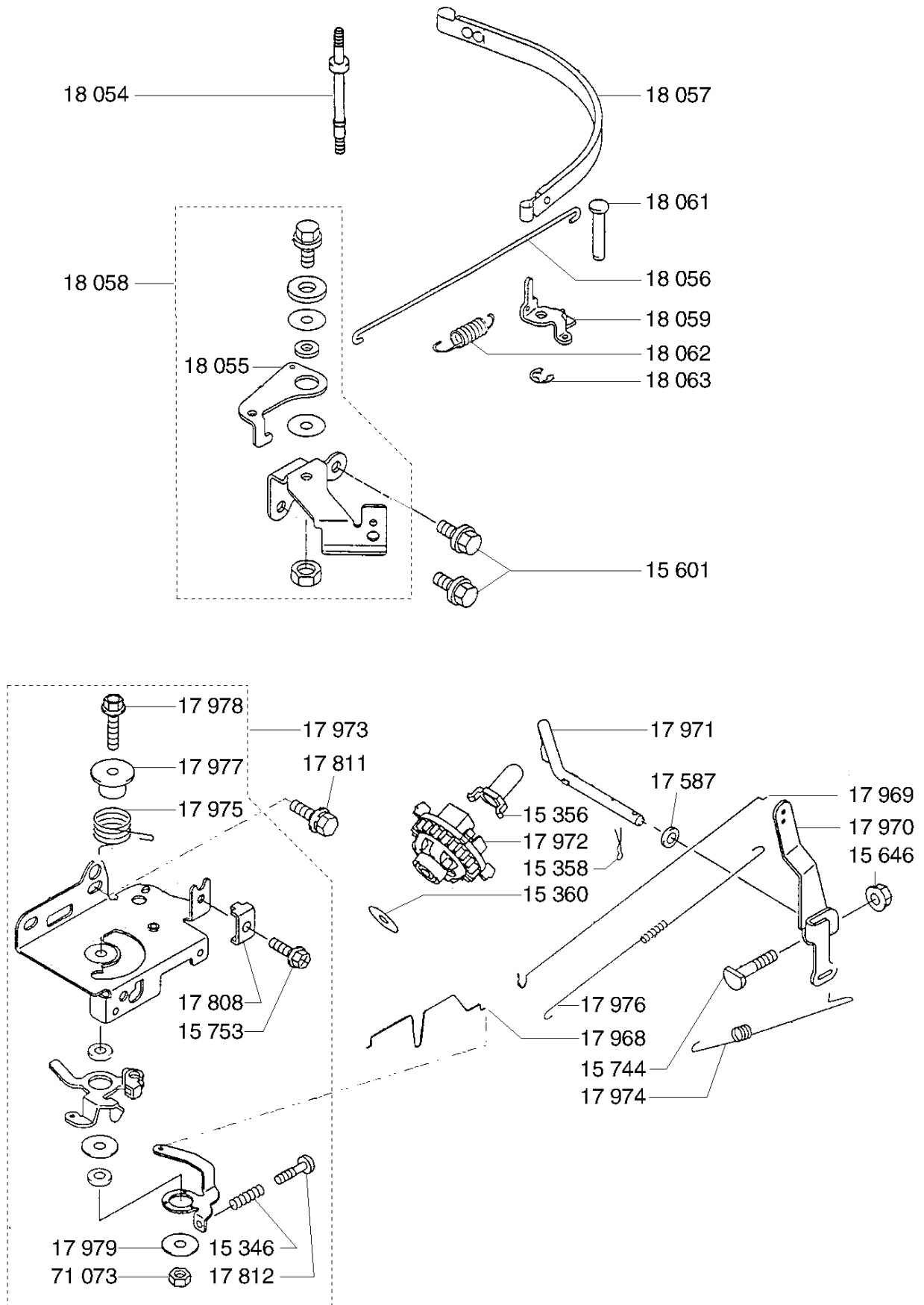
# KAWASAKI OHV FC 180 V TAK - TKO - TKOE



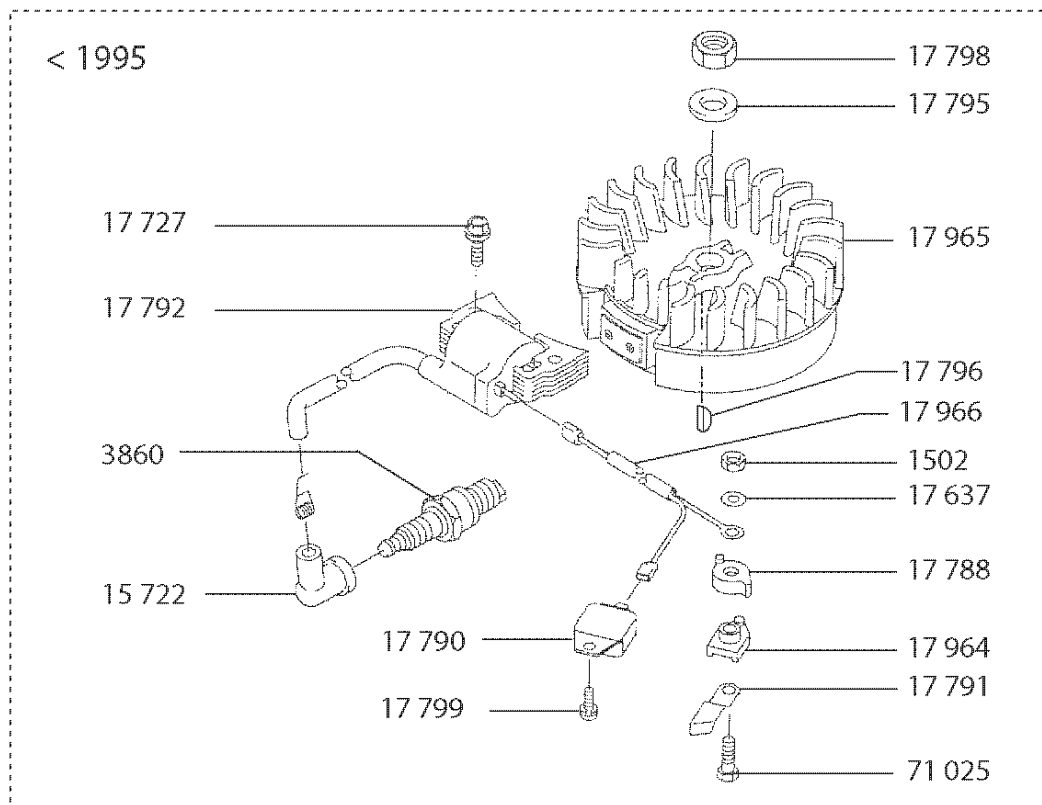
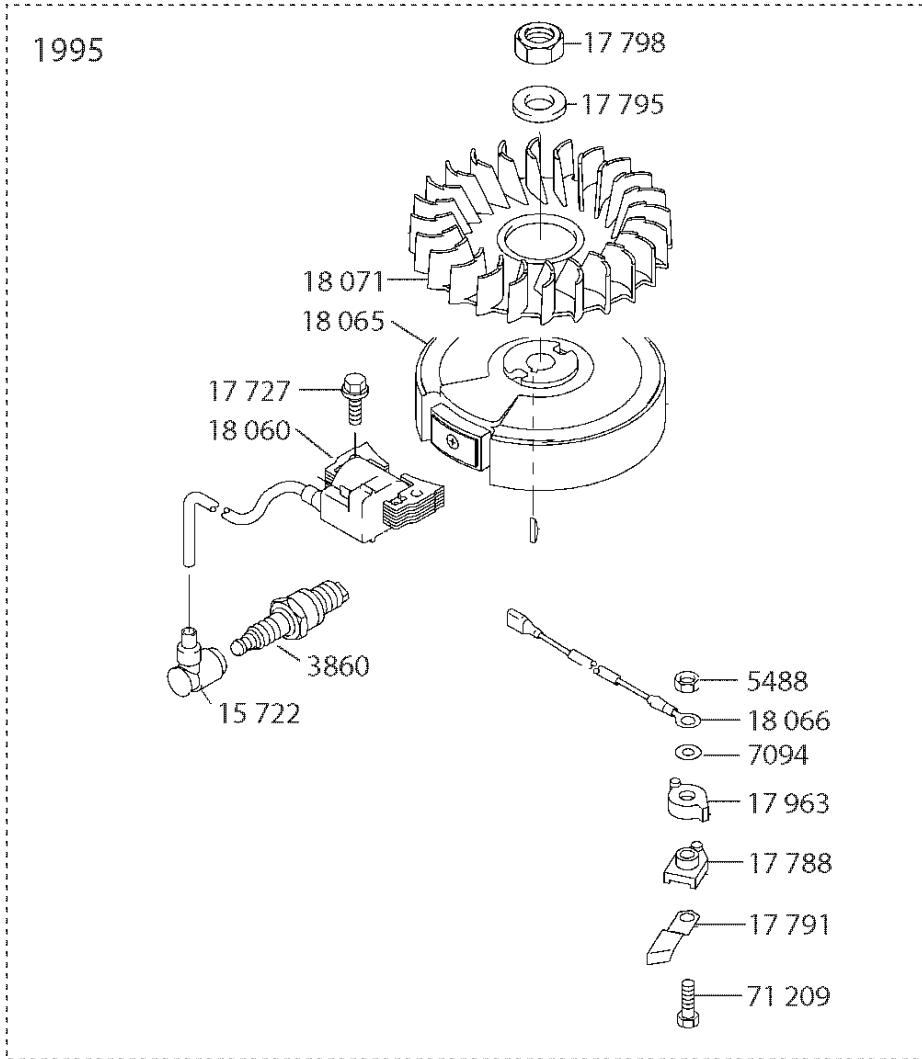
# KAWASAKI OHV FC 180 V TAK - TKO - TKOE



# KAWASAKI OHV FC 180 V TAK - TKO - TKOE

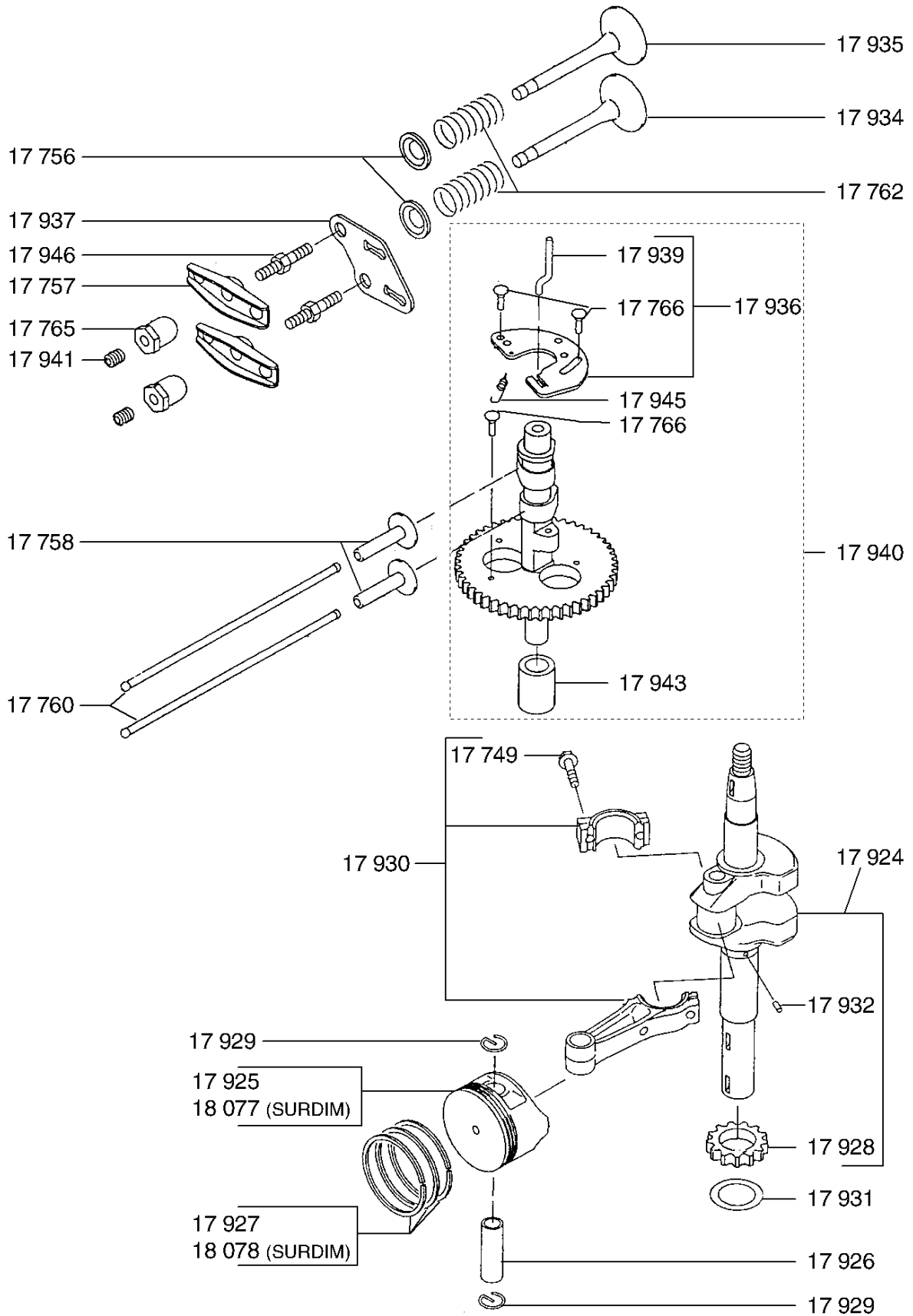


# KAWASAKI OHV FC 180 V TAK - TKO - TKOE

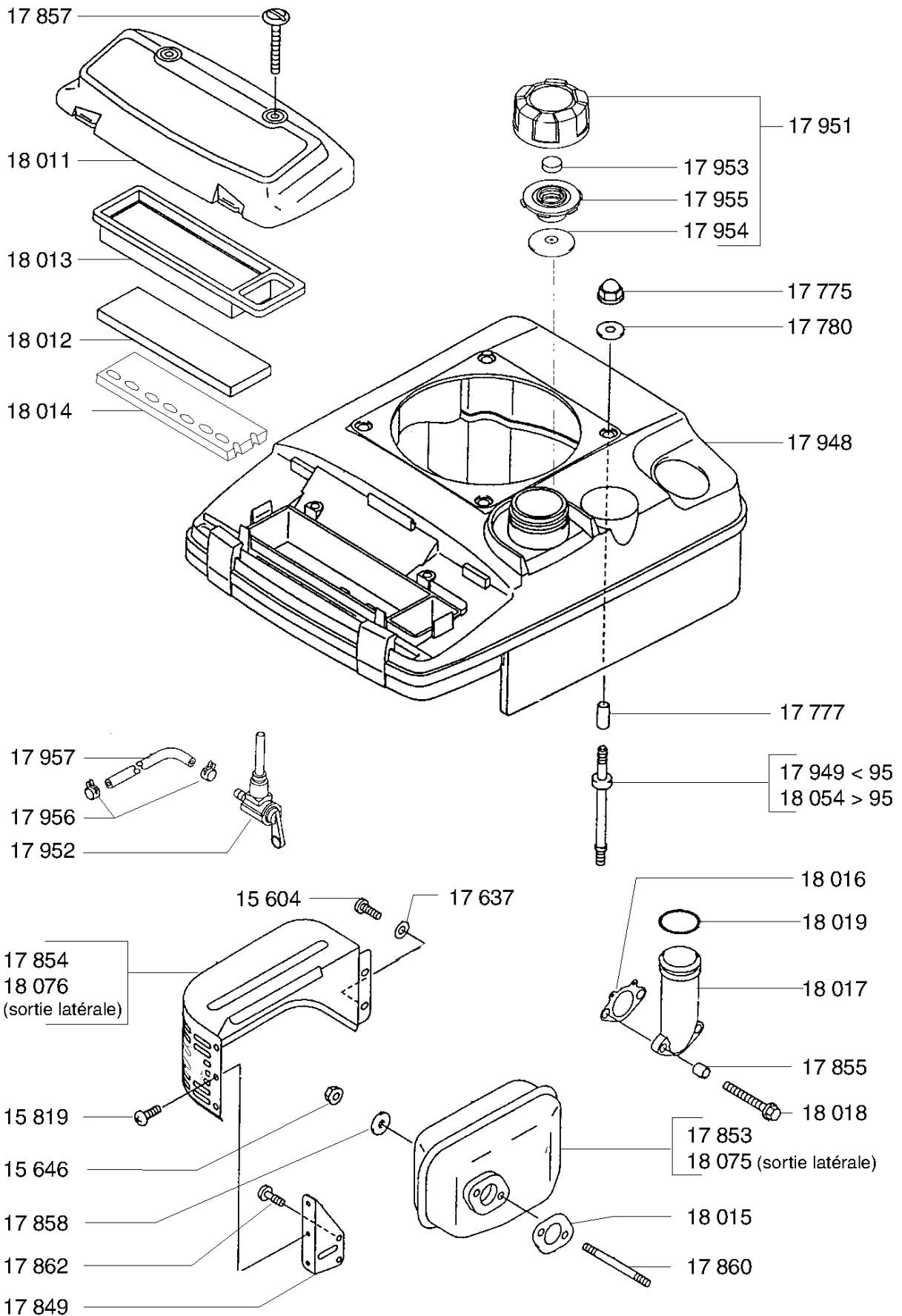


WKA 26/V2

# KAWASAKI OHV FC 180 V TAK - TKO - TKOE



# KAWASAKI OHV FC 180 V TAK - TKO - TKOE





# KAWASAKI OHV FC 180 V TAK - TKO - TKOE

