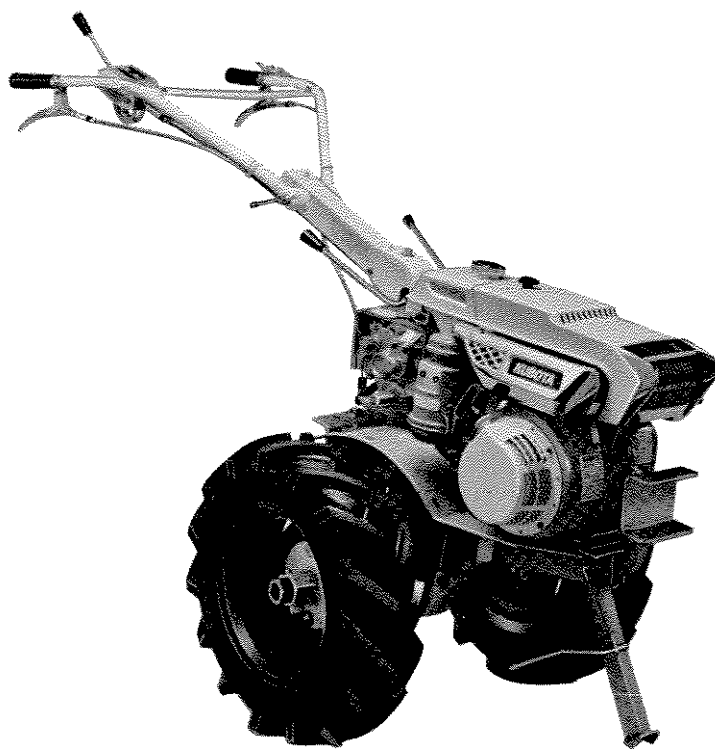


**LISTE DES PIÈCES
ILLUSTRATED PARTS LIST**

KUBOTA

MODELE T720

**MOTOCULTEUR
TILLER**



FRANCE, UNITED, KINGDOM



KUBOTA, LTD.
JUN, 1979

Notice

This Parts List is for the following purposes.

Do not lose this Parts List.

1. When ordering parts, check with this Parts List to confirm the code number and the name of parts.
2. When making repairs of the T720, refer to the illustrations in this Parts List.

Instructions

1. Parts designated "Commander par REF. No. . . ." in the "Code No." column are parts to be procured locally or are parts sold included in the assembly. Kubota does not sell these parts separately.
2. Circled numbers in the "REMARKS" column indicate reference numbers which are included in "Assy".
Therefore, when "ASSY" is ordered, the parts designated by "Reference Nos." in the "REMARKS" column would be included in your order.
3. Newly redesigned, modified parts shall have figures in the "REF No." column encircled.
4. Parts which are not interchangeable because of design modification are indicated in the following manner.
 - 1) The "SERIAL NUMBER" column, shows tiller or engine serial numbers with the applicable code numbers.
The numbers in the "IC No." (Interchangeable Code Numbers), are last figure of code numbers of parts which are interchangeable, and should be ordered with figures in "CODE No." column.
 - 2) The symbols on the left end in the "REMARKS" column are as follows.
A: Newly adopted parts or parts whose code number has been completely changed.
B: Changes in shape.
C: Other changes.
 - 3) The column on the right of the illustration gives brief explanation of modifications.
5. When parts of the machine are modified, there will be a change in the code numbers for the parts, Revised pages of this Parts List will be issued carrying the new code numbers so replace the existing page with the newly issued page.
6. The symbols in the "S" column are symbols used by manufacturer in the control of parts.

NOTE

Utilisation de ce livre

1. A la commande d'une pièce, chercher le No. de code et le nom de la pièce.
2. Pour les réparations de T7 2 0, employez les illustrations.

INSTRUCTION

1. Les pièces désignées "commander par REF. No. . . ." dans la colonne des "Code No." ne peuvent pas être vendues à l'unité.
2. Les numéros cerclés dans la colonne des "Remarques" signifient les Ref. No. qui forment l'ensemble des grosses pièces.
3. Les Ref. No. cerclés sont pour les pièces modifiées et redessinées.
4. Les pièces sans échangeabilité à cause du redessin et la modification sont indiquées par la suivante.
 - 1) Le numéro dans la colonne "Numéro de série" signifie le numéro de série du ou du moteur applicable. Le numéro dans la colonne de "EC No. (Echangeabilité No.)" coïncide avec le dernier chiffre du numéro de code.
 - 2) Les symboles à côté gauche de la colonne des "Remarques".
 - A: La pièce est nouvellement adaptée. Ou le No. de code se trouve complètement changé.
 - B: Le changement de la dimension.
 - C: D'autres modifications.
 - 3) Dans la colonne à côté droit de l'illustration, il y a l'explication simple de la modification de la pièce.
5. Si une pièce est modifiée, la nouvelle page correspondante vous sera envoyée.
6. La colonne de "S" est uniquement pour notre usage.

— 注 意 —

此の部品表は大切に保存をして、次の様な場合に利用して下さい。

1. 部品を注文される時に此の部品表で、コードNo.及び部品名を確認して下さい。
2. 修理をされる時に此の部品表のイラストを参照して下さい。

記載内容の説明

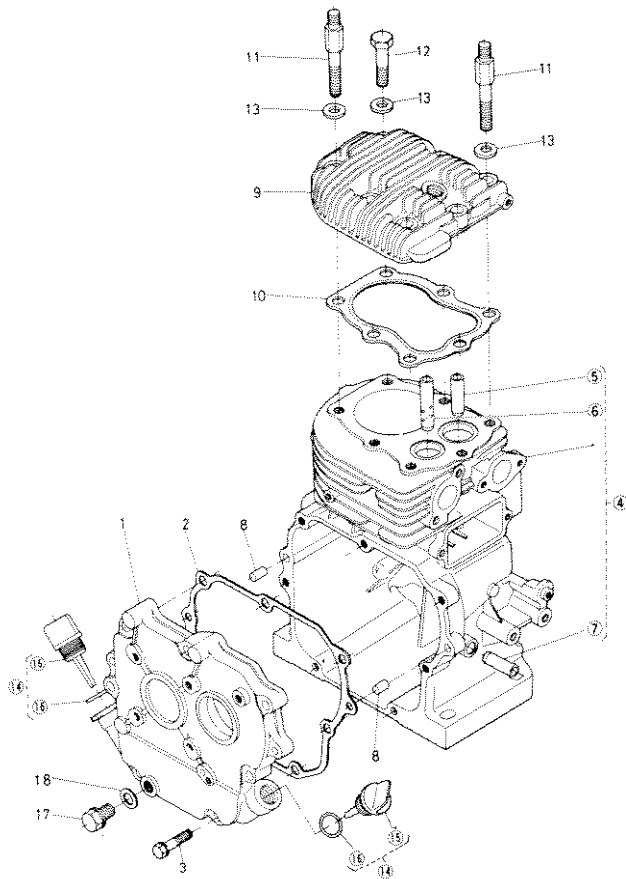
1. “Code No.” 欄に“commander par REF. No.……” と記入してあるのは現地調達品又は完備品の構成部品であって、夫々単体販売しない部品を示します。
2. “REMARKS” 欄の中に○で囲んだ数字は完備品の構成部品の“REF. No.”を示します。
3. 新変更部品の“REF. No.”を○で囲んで表示します。
4. 設計変更により新旧兼用出来ない部品は次の表示をします。
 - 1) “SERIAL NUMBER” 欄は変更部品が使用出来る耕うん機本体の機番或は搭載エンジンの機番の範囲を示します。
“IC No.” 欄の数字は機番に対応するコードNo.の最後の数字を示しますので該当するコードNo.で注文して下さい。
 - 2) “REMARKS” 欄の左端に次の記号で表示します。
 - A：部品の新採用或はコードNo.が全く変更された事を示す。
 - B：部品の形状が変わった事を示す。
 - C：其の他の理由による部品の変更を示す。
 - 3) イラストの右側の欄には部品変更の内容を略記してあります。
5. 変更部品が生じた時には改訂ページを発行しますから旧ページと入れ替えて下さい。
6. “S” 欄の記号はメーカーの部品管理の記号です。

Table Des Matieres

Contents

	Page
[GN250-TS]	
1. CYLINDER CYLINDER GROUP	1
2. CLAPET BREATHER GROUP	2
3. FILTRE A AIR AIR CLEANER GROUP	3
4. SILENCIEUX MUFFLER GROUP	4
5. ARBRE A CAME CAMSHAFT GROUP	5
6. VILEBREQUIN CRANKSHAFT GROUP	6
7. FILTRE ET ROBINET ESSENCE FUEL FILTER GROUP	7
8. REGULATEUR LEVIER GOVERNOR LEVER GROUP	8
9. LANCEUR RECOIL STARTER GROUP	9
10. VOLANT MAGNETIQUE MAGNETO GROUP	10
11. CARTER SPIRAL CASE GROUP	11
12. CARBURATEUR CARBURETTOR GROUP	12
[T720-FR]	
13. BOITE DE VITESSES TRANSMISSION GROUP	13
14. POIGNEE DEPORT MAIN CLUTCH GROUP	15
15. BOITE DE VITESSES MISSION GEAR GROUP	16
16. AXE HEXAGONAL WHEEL GROUP	18
17. CHANGEMENT 1 CHANGE GROUP 1	19
18. MANCHERON HANDLE GROUP	21
19. CHANGEMENT DE VITESSES CHANGE GROUP	22
20. MARQUE LABEL GROUP	23
21. SUPPORT MOTEUR FRONT FRAME GROUP	24
22. CAPOT-RÉSERVOIR BONNET GROUP	26
23. COURBOIES & CARTERS PULLEY BELT GROUP	28
24. ACCESSOIRES ET PIECES DE SERVICE ACCESSORIES AND SERVICE PARTS	30
INDEX NUMÉRIQUE NUMERICAL INDEX	31

1. CYLINDER GROUP

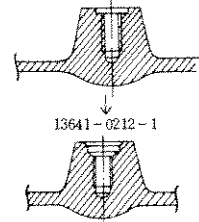


REF No. ① 13641-0131-9

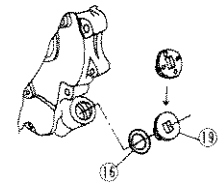


REF No. ②

- Trou pour installer la bobine
- Thread for fit up coil 13641-0211-9

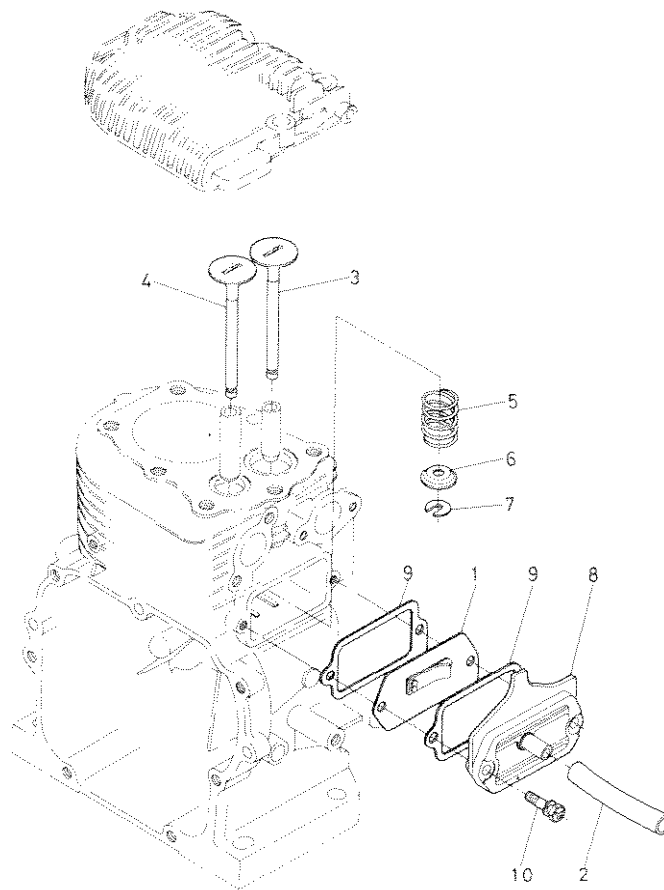


REF No. ③ 13641-3315-0
④ 13641-3317-0

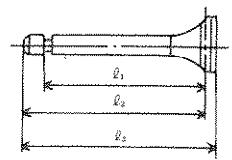


S	REF.No.	CODE No.	DESCRIPTION		UNITÉ UNIT	ÉCHANGEABILITÉ INTERCHANGEABILITY		REMARQUES REMARKS
			FRANÇAIS	ENGLISH		E C I C	No. No.	
<input type="checkbox"/>	1	13641-0131-0 13641-0132-0	Cartier de distribution	CRANK CASE 2	1		~11810 10001~	B
	2	13641-0134-0	Joint	PACKING, side cover	1			
	3	01120-50835	Boulon	BOLT	7			
<input type="checkbox"/>	4	13641-0211-0	Cylinder complet	COMP CYLINDER	1		~11310	
<input type="checkbox"/>		13641-0212-0				10001~12160	C ⑤~⑦	
		13641-0212-5				10001~	B	
	5	13291-1354-0	Guide	GUIDE, inlet valve	1			
	6	13278-1356-0	Guide	GUIDE, exhaust valve	1			
	7	13641-5623-0	Support	HOLDER, fork lever	1			
	8	13325-9451-0	Goujon de centrage	PIN, straight	2			
	9	13641-0311-0	Culasse	CYLINDER HEAD	1			
	10	13641-0331-0	Joint	GASKET, cylinder head	1			
	11	13644-0346-0	Boulon	BOLT, head	3			
	12	01153-51045	Boulon	BOLT	4			
	13	13641-0354-0	Rondelle	WASHER, plain	7			
	14	13641-3308-0	Bouchon complet	ASSY PLUG, oil filler	1		~11810	⑬~⑭
					2			
	15	13641-3314-0	Bouchon	PLUG, oil filler	1		11811~	
					2			
<input type="checkbox"/>	16	13641-3315-0	Joint	PACKING	1		~10060	
<input type="checkbox"/>	16	04811-00180	Joint caoutchouc	O RING	1		10061~11810	B
					2		11811~	C
	17	13641-3375-0	Bouchon de vidange	PLUG, drain	1			
	18	04711-00120	Joint	PACKING	1			
<input type="checkbox"/>	19	13641-3317-0	Bouchon	PLUG, blind	1		~10310	
		13641-3317-2				10001~11810	B	

2. CLAPET BREATHER GROUP

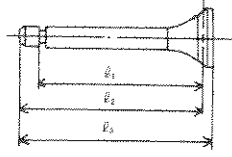


REF. No. ⓓ 13641-1311-2



ϕ_1 : 96,5 → 96,3mm
 ϕ_2 : 101,5 → 101,3mm
 ϕ_3 : 103,2 → 103mm

REF. No. ⓓ 13641-1312-2

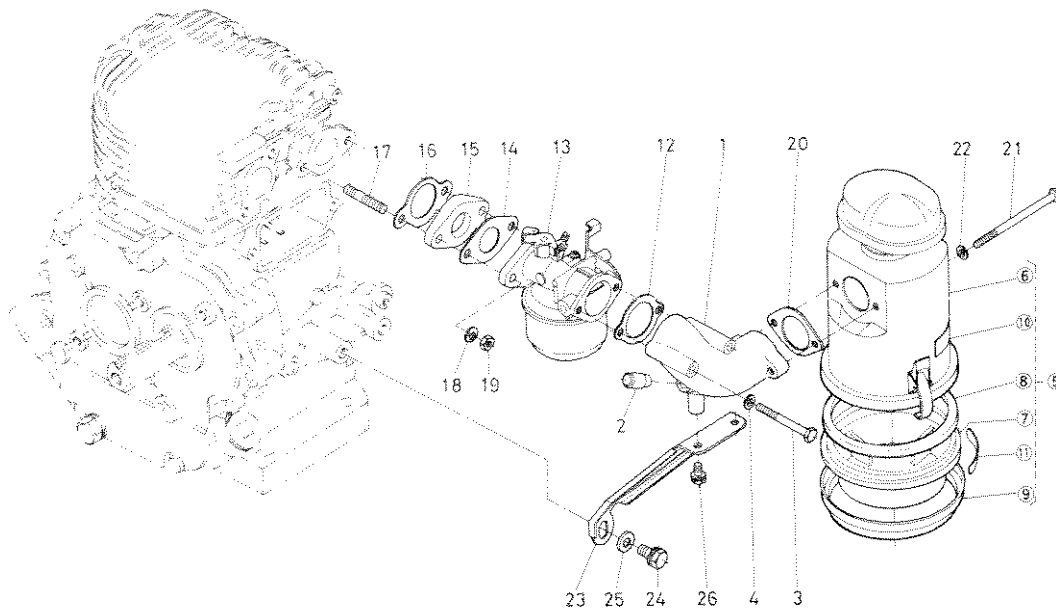


ϕ_1 : 95,5 → 95,3mm
 ϕ_2 : 101,5 → 101,3mm
 ϕ_3 : 103,7 → 103,5mm

S	REF.No.	CODE No.	DESCRIPTION		UNITE	ÉCHANGEABILITÉ INTERCHANGEABILITY		REMARQUES REMARKS
			FRANÇAIS	ENGLISH		UNT	NUMÉRO DE SÉRIE SERIAL No.	
	1	13641-0501-0	Clapet complet	ASSY BREATHER	1			
	2	13644-0551-0	Tube caoutchouc	PIPE, breather	1			
<input type="checkbox"/>	3	13641-1311-0	Soupape admission	VALVE, inlet	1		~11310	
		13641-1311-2					10001~	C
<input type="checkbox"/>	4	13641-1312-0	Soupape échppement	VALVE, Exhaust	1			
		13641-1312-2						C
	5	13641-1324-0	Ressort	SPRING, valve	2			
	6	13641-1333-0	Couple	RETAINER, valve spring	2			
	7	13268-1345-0	Clavette	COLLET, valve spring	2			
	8	13641-1381-0	Couvercle	COVER, tappet case	1			
	9	13641-1382-0	Joint	PACKING	2			
	10	01202-50625	Boulon	BOLT	2			

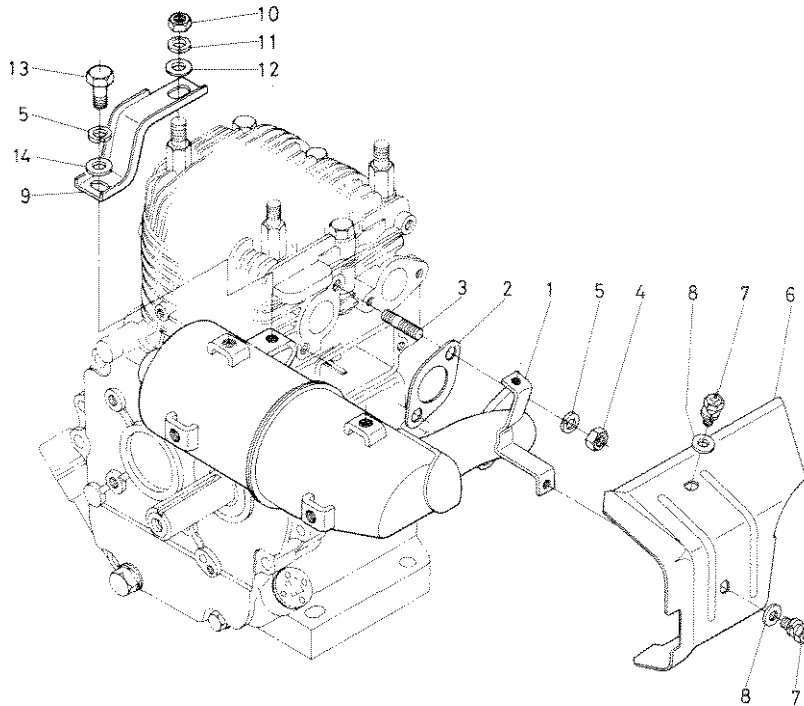
3. FILTRE A AIR AIR CLEANER GROUP

REF. No. ③ 13644-4401-2
 • Papillon de starter est
 modifié. (voir la page 12)
 • Changed the choke valve.
 (shown page 12)

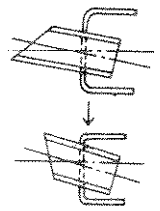


S	REF. No.	CODE No.	DESCRIPTION		UNITE UNIT	ECHANGEABILITE INTERCHANGEABILITY		REMARQUES REMARKS
			FRANÇAIS	ENGLISH		E C I C	No. No. NUMERO DE SERIE SERIAL No.	
	1	13644-1161-0	Pipe	ELBOW, air cleaner	1			
	2	13242-0555-0	Raccord	JOINT, breather pipe	1			
	3	01050-50650	Boulon	BOLT	2			
	4	04512-50060	Rondelle grower	WASHER, spring	2			
	5	13644-1101-0 13825-1101-0	Filtre à air complet	ASSY CLEANER, air	1			⑥~⑪ FRANCE UNITED, KINGDOM
	6	13644-1120-0	Corps filtre à air	COMP. CASE	1			
	7	13301-1124-0	Cuve	OIL PAN	1			
	8	13301-1137-0	Joint caoutchouc	PACKING	1			
	9	13301-1126-0	Collerette de cuve	RING, oil pan	1			
	10	13000-1131-0 13825-1131-0	Marque	MARK, air cleaner	1			FRANCE UNITED, KINGDOM
	11	13000-1132-0	Marque	MARK, oil gauge	1			FRANCE
	12	13241-1165-0	Joint	PACKING, air cleaner	1			
<input type="checkbox"/>	13	13644-4401-0 13644-4401-2	Carburateur complet	ASSY CARBURETTOR	1		~11310 10001~	C
	14	13641-4611-0	Joint	PACKING, carburettor	1			
	15	13641-4615-0	Bride	FLANGE, carburettor	1			
	16	13641-4616-0	Joint	PACKING, carburettor flange	1			
	17	01518-50630	Goujon	STUD	2			
	18	04512-50060	Rondelle grower	WASHER, spring	2			
	19	02014-50060	Eerou	NUT	2			
	20	13223-1165-0	Joint	PACKING, air cleaner	1			
	21	01050-50685	Boulon	BOLT	2			
	22	04512-50060	Rondelle grower	WASHER, spring	2			
	23	13644-1158-0	Support de filtre à air	STAY, air cleaner	1			
	24	01120-50816	Boulon	BOLT	1			
	25	04013-50080	Rondelle	WASHER, plain	1			
	26	01202-50612	Boulon	BOLT	2			

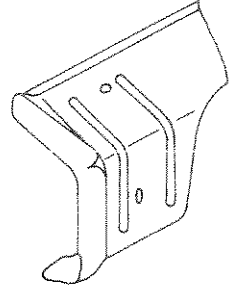
4. SILENCIEUX 4. MUFFLER GROUP



REF. No. 13644-1211-2

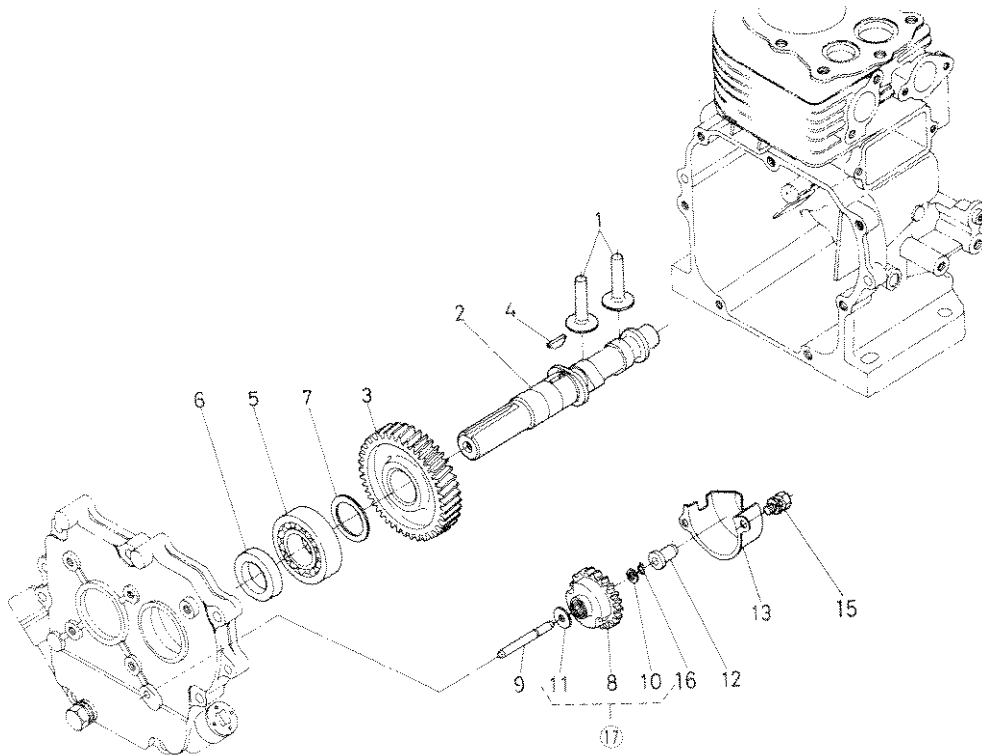


REF. No. 13644-1247-1

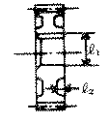


S	REF.No.	CODE No.	DESCRIPTION		UNITE	ÉCHANGEABILITE INTERCHANGEABILITY		REMARQUES REMARKS
			FRANÇAIS	ENGLISH		UNT	EC TC No.	
×	1	13644-1211-0 13644-1211-2	Silencieux	MUFFLER	1		~10311 10001~	B
	2	13281-1223-0	Joint	PACKING	1			
	3	13641-9152-0	Goujon	STUD	2			
	4	02114-50080	Ecrou	NUT	2			
	5	04512-50080	Rondelle grower	WASHER, spring	3			
□	6	13644-1247-0 13644-1247-2	Tôle de protection	PLATE, heat resting	1		~10311 10001~	B
	7	01202-50610	Boulon	BOLT	2			
	8	04013-50060	Rondelle	WASHER, plain	2			
	9	13644-1251-0	Support	STAY, muffler	1			
	10	02118-50100	Ecrou	NUT	1			
	11	04512-50100	Rondelle grower	WASHER, spring	1			
	12	04011-50100	Rondelle	WASHER, plain	1			
	13	01150-50812	Boulon	BOLT	1			
	14	04013-50080	Rondelle	WASHER, plain	1			

5. ARBRE A CAME CAMSHAFT GROUP



REF. No. ③ 13641-1651-6



$l_1 : 32,2 \rightarrow 31,8 \text{ mm}$
 $l_2 : 6 \rightarrow 5,57 \text{ mm}$

REF. No. ④ 13641-9523-1



$l : 6,5 \rightarrow 6,1 \text{ mm}$

REF. No. ⑤ 13641-5535-4



$l : 19,6 \rightarrow 19 \text{ mm}$

REF. No. ⑥ 04512-50060
⑦ 01050-50610



S	REF. No.	CODE No.	DESCRIPTION		UNITE	ECHANGEABILITE INTERCHANGEABILITY		REMARQUES REMARKS
			FRANÇAIS	ENGLISH		EC TC No.	NUMERO DE SERIE SERIAL No.	
	1	13641-1555-0	Poussoir	TAPPET	2			
	2	13641-1615-0	Arbre à came	CAMSHAFT	1			
	3	13641-1651-0	Pignon	GEAR, camshaft	1			
<input type="checkbox"/>	4	05811-00416 13641-9523-0	Clavette	KEY, woodruff	1		~10060 10061~	A
	5	08101-06206	Roulement à billes(6206)	BEARING, ball(6206)	1			
	6	13274-1664-0	Baquet joint	SEAL, oil	1			
	7	13641-2368-0	Rondelle de réglage 20	SHIM 20	1		10061~	
		13641-2362-0	Rondelle de réglage 30	SHIM 30				
		13641-2363-0	Rondelle de réglage 40	SHIM 40				
		13641-2365-0	Rondelle de réglage 50	SHIM 50				
		13641-1655-0	Rondelle de réglage 25	SHIM 25				
		13641-1656-0	Rondelle de réglage 35	SHIM 35				
		13641-2367-0 13641-2369-0 13641-2372-0	Rondelle de réglage	SHIM crankshaft				
	8	13641-5529-0	Pignon complete	ASSY GEAR, governor	1			
<input type="checkbox"/>	⑨	13641-5531-0 13641-5531-3	Arbre	SHAFT, governor	1		~12700 10001~	B
		⑩	13641-5533-0	Rondelle 1	WASHER 1	1		~12560 ~12600
		Commander par REF.No.⑨ Order by REF.No.⑨						
	⑪	13641-5534-0	Rondelle 2	WASHER 2	1		~12560 ~12600	FRANCE UNITED, KINGDOM (13641-5534-2)
		Commander par REF.No.⑨ Order by REF.No.⑨						
	12	13641-5545-0	Butée	SLEEVE, governor	1		~11310	
	13	13641-5535-0 13641-5535-4	Cartier de pignon	COVER, governor gear	1		10001~	
<input type="checkbox"/>		14	04512-50060	Rondelle grower	WASHER, spring	2		~10210
<input type="checkbox"/>	15	01050-50610 01202-50610	Boulon	BOLT	2		~10210 10001~	C
		⑫	13641-5536-0 13641-5536-3	Arreteir	STOPPER	1		~12700 100001~
	⑬	13641-5520-0	Base de pignon complete	ASSY BASE, governor gear	1		100001~	A ⑧, ⑩, ⑪

6. VILEBREQUIN CRANKSHAFT GROUP

REF. No. ⑥ 13641-2411-5

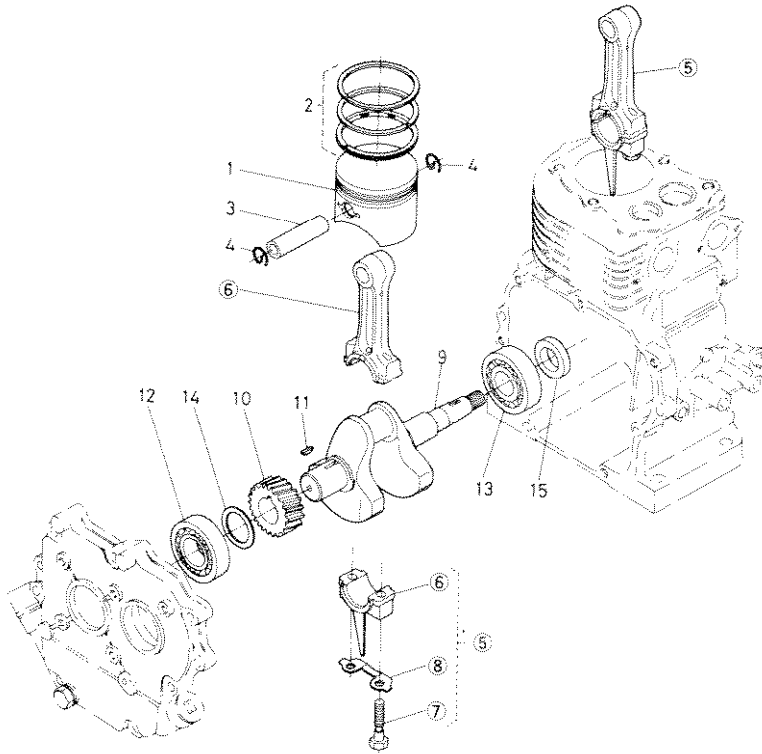


$\varnothing 32.2 \rightarrow 31.8mm$

REF. No. ④ 13641-9523-1



$\varnothing 6.5 \rightarrow 6.1mm$



S	REF. No.	CODE No.	DESCRIPTION		UNITE	ÉCHANGEABILITÉ INTERCHANGEABILITY		REMARQUES REMARKS
			FRANÇAIS	ENGLISH		UNT	E C Hc. No. T C No. NUMÉRO DE SÉRIE SERIAL No.	
	1	13641-2111-0	Piston	PISTON	1			
	2	13641-2105-0	Jeu de segments	ASSY PISTON RING	1			
	3	13641-2131-0	Axe de piston	PISTON PIN	1			
	4	13641-2133-0	Circlip	CIR-CLIP, internal	2			
	5	13641-2201-0	Bielle complete <i>avec jeu</i>	ASSY CONNECTING ROD	1			⑥~⑧
	6	Commander par REF. No. ⑥ Order by REF. No. ⑥				1 ~		(13641-2211-0)
	7	13641-2214-0	Boulon	BOLT, connecting rod	2			
	8	13641-2219-0	Arrêtoir	WASHER	1			
	9	13641-2311-0	Vilebrequin	CRANKSHAFT	1			
<input type="checkbox"/>	10	13641-2411-0	Pignon	GEAR, crankshaft	1		~10060	
		13641-2411-5					10061~	C
<input type="checkbox"/>	11	05811-00416	Clavette	KEY, woodruff	1		~10060	
		13641-9523-0					10061~	A
	12	08101-06206	Roulement à billes(6206)	BEARING, ball (6206)	1			
	13	08101-06305	Roulement à billes(6206)	BEARING, ball (6206)	1			
	14	13641-2368-0	Rondelle de réglage 20	SHIM 20	1			
		13641-2362-0	Rondelle de réglage 30	SHIM 30	1			
		13641-2363-0	Rondelle de réglage 40	SHIM 40	1			
		13641-2365-0	Rondelle de réglage 50	SHIM 50	1		10061~	
		13641-1655-0	Rondelle de réglage 25	SHIM 25	1			
		13641-1656-0	Rondelle de réglage 35	SHIM 35	1			
			13641-2367-0					
		13641-2369-0	Rondelle de réglage	SHIM crankshaft	1		10061~11810	
		13641-2372-0						
	15	09500-00023	Baque joint	SEAL, oil	1			

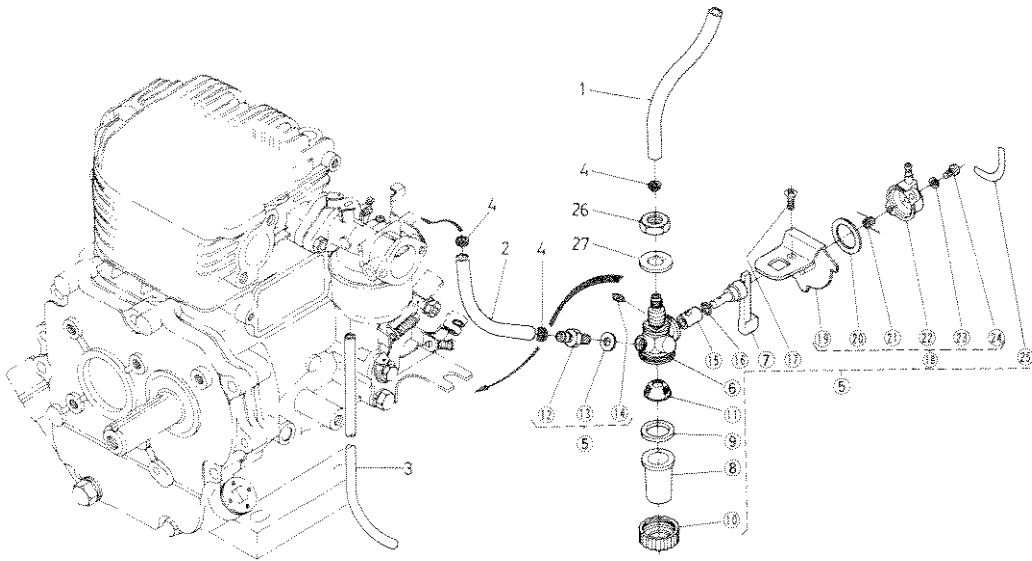
7. FILTRE ET ROBINET ESSENCE 7. FUEL FILTER GROUP

REF. No. ④ 13621-4236-1

- Diamètre intérieur
- Inner diameter
- φ 10,3 → φ 10,8mm

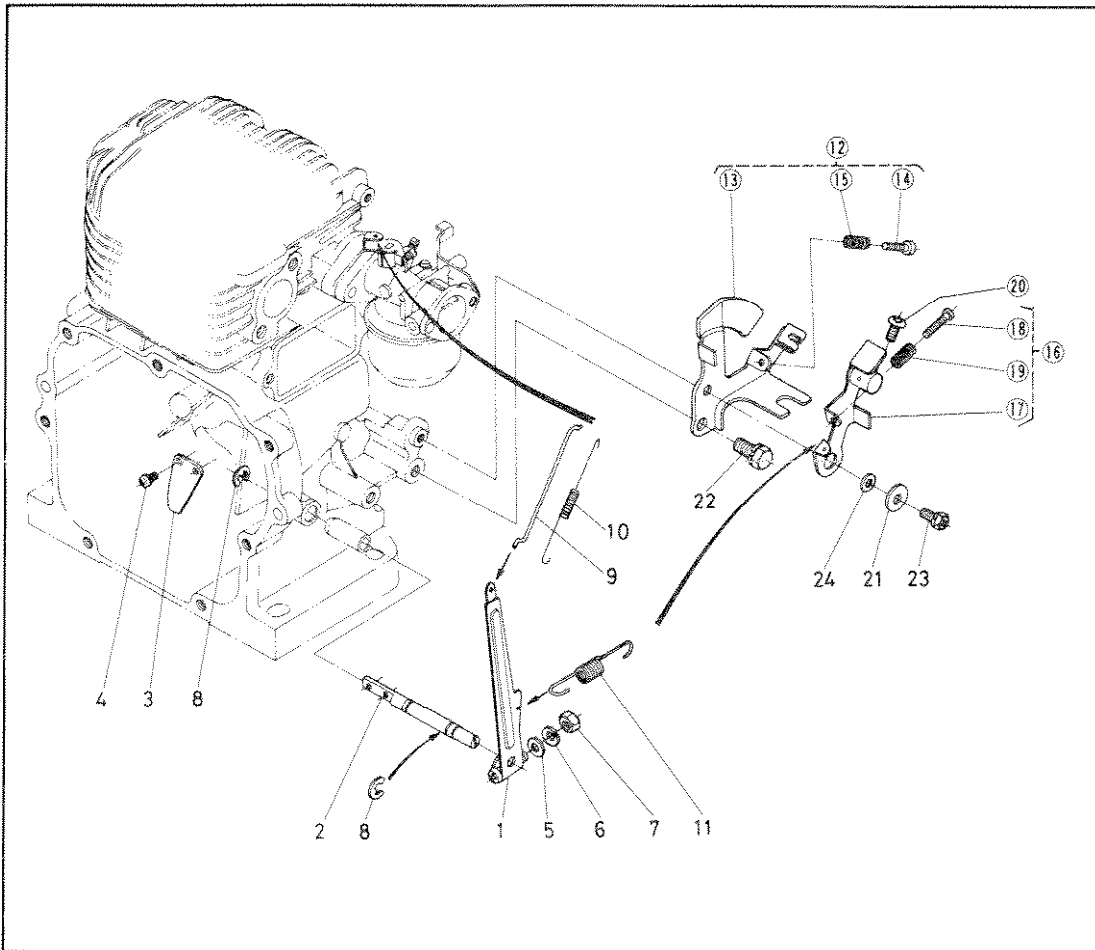
REF. No. ⑧ 13641-4380-2

- Matière de la prise de courant
- Material of the terminal
- ZDC2-8SBM

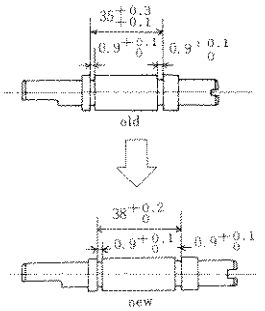


S	REF. No.	CODE No.	DESCRIPTION		UNITÉ	ÉCHANGEABILITÉ INTERCHANGEABILITY		REMARQUES REMARKS
			FRANÇAIS	ENGLISH		UNIT	NUMERO DE SERIE SERIAL No.	
	1	13644-4211-0	Tuyau d'arrivée	PIPE, fuel	1			
	2	13644-4212-0	Tuyau d'arrivée	PIPE, fuel	1			
	3	13644-4251-0	Tuyau	PIPE	1			
	4	13268-4236-0 13621-4236-0	Collier	CLIP, fuel pipe	3		~11310 10001~	C
<input type="checkbox"/>	5	13641-4301-0	Filtre et robinet essence complet	ASSY FILTER, fuel	1		~10060	⑥~⑭
<input type="checkbox"/>		13644-4301-④					10061~11310	⑥~⑮ FRANCE
		13644-4301-③					10061~	
		13645-4301-②						⑮~⑳ UNITED, KINGDOM (13641-4311-01)
	6	Commander par REF. No. ⑤ Order by REF. No. ⑤						
	7	13641-4312-0	Levier	HANDLE, filter	1			
	8	13641-4313-0	Cuve	POT, filter	1			
	9	13641-4314-0	Joint	PACKING	1			
	10	13641-4315-0	Collerette de cuve	RING, retainer	1			
	11	13641-4316-0	Tamis	ELEMENT, filter	1			
	12	13645-4361-0	Raccord de	JOINT, pipe	1			
	13	13641-4363-0	Joint	PACKING	1			
	14	13641-9137-0	Boulon	BOLT, set	1			
	15	13641-4324-0	Joint	SEAL, handle	1			
	16	13641-9675-0	Joint caoutchouc	O RING	1			
	17	03012-50306	Vis	SCREW	1			
	18	13641-4380-0 13641-4380-②	Interrupteur complet	ASSY SWITCH	1		~11310 10001~	C ⑰~⑳
	19	13641-4390-0	Support de interrupteur complet	COMP. SUPPORT, switch	1			
	20	13641-4382-0	Joint	PACKING, switch cover	1			
	21	13641-4383-0	Levier de interrupteur	LEVER, switch	1			
	22	13641-4381-0	Couvercle de interrupteur	COVER, switch	1			FRANCE
	23	04512-50040	Rondelle grower	WASHER, spring	2			
	24	03054-50408	Vis	SCREW	2			
	25	13644-8746-0	Marque	LABEL, fuel filter	1			
	⑳	02074-50120 02172-50120	Ecrou	NUT	1			
	㉑	04013-50120	Rondelle	WASHER, plain	1			

8 . REGULATEUR LEVIER GOVERNOR LEVER GROUP



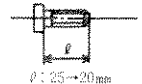
REF. No. ② 13641-5614-3



REF. No. ③ 13641-5711-5

- Renforcée
- Reinforced

REF. No. ④ 13316-9341-1



REF. No. ⑤ 13581-9341-1

ℓ : 20 → 25 mm

REF. No. ⑥ 13641-5686-1

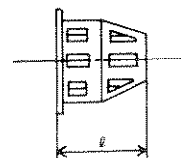
- Longueur
- Length

15 → 19 mm

S	REF. No.	CODE No.	DESCRIPTION		UNTE	ÉCHANGEABILITE INTERCHANGEABILITY		REMARQUES REMARKS
			FRANÇAIS	ENGLISH		UNT	NUMÉRO DE SÉRIE SERIAL No.	
	1	13644-5611-0	Levier régulateur	LEVER, governor	1			
	2	13641-5614-0	Arbre	SHAFT, governor lever	1			
		13641-5614-3						
	3	13641-5632-0	Butée	ROCKER, governor	1			
	4	03024-50408	Vis	SCREW	2			
	5	04012-50060	Rondelle	WASHER, plain	1			
	6	04512-50060	Rondelle grower	WASHER, spring	1		10311~	A
	7	02014-50060	Ecrou	NUT	1			
	⑧	04613-50070 (04613-50070)	Circlip	CIR-CLIP, external	2			
	9	13641-5635-0	Tige	ROD, governor connecting	1			
	10	13641-5639-0	Ressort	SPRING	1			
	11	13641-5641-0	Ressort	SPRING	1			
<input type="checkbox"/>	12	13644-5701-0	Support de régleur complet	ASSY PLATE, speed control	1		~12060	⑬~⑮
		13644-5701-4					10001~	B⑬~⑮
<input type="checkbox"/>	13	13641-5711-0	Support de régleur	PLATE, speed control	1		~12060	
		13641-5711-5					10001~	B- Shown by prior Fig.
	14	13581-9341-0	Vis	SCREW	1			
	15	13641-5686-0	Ressort	SPRING	1			
	16	13644-5704-0	Levier de régleur complet	ASSY LEVER, speed control	1		~10310	⑰~⑲
		13644-5704-4					10001~11810	C⑰~⑲
		13643-5704-2					10001~	C⑰~⑲
	17	13644-5715-0	Levier de régleur	LEVER, speed control	1			
×	18	13581-9341-0	Vis	SCREW	1		~10310	
		13316-9341-0					10001~	C
		13581-9341-0					10001~	C
×	19	13301-5686-0	Ressort	SPRING	1		~10060	
		13641-5686-0					10001~	C
	20	03054-50512	Vis	SCREW, pan head	1			
	21	13641-9401-0	Rondelle	WASHER, plain	1			
	22	01120-50818	Boulon	BOLT	1			
	23	01202-50618	Boulon	BOLT	1			
	24	13644-5724-0	Entretoise	COLLAR	1			

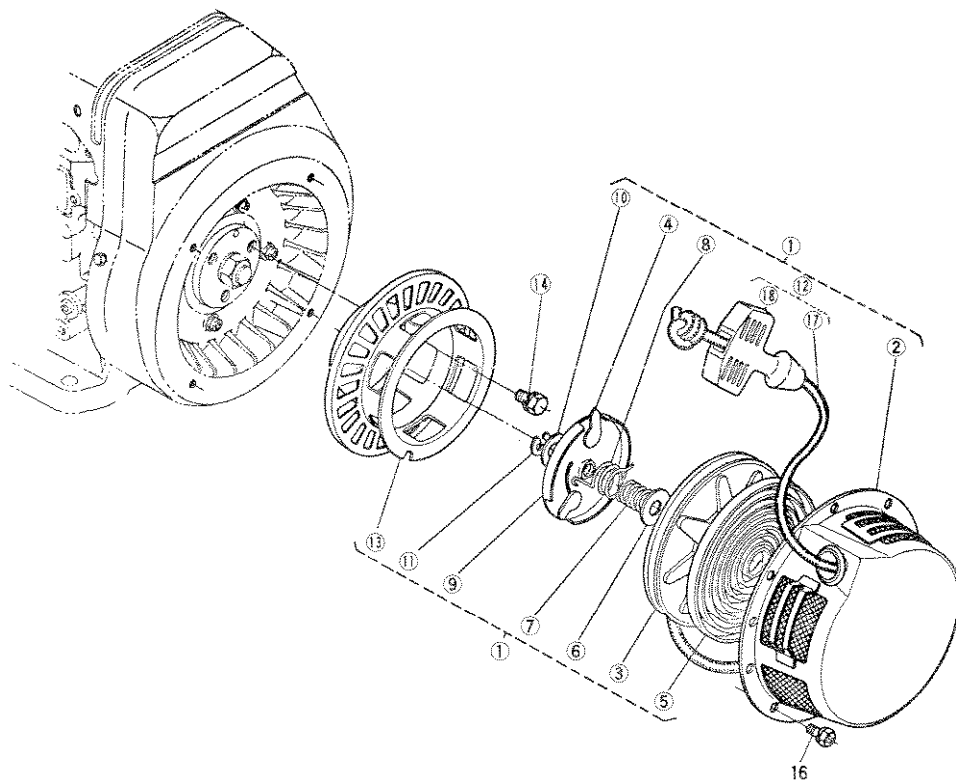
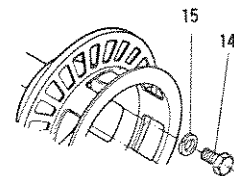
9. LANCEUR RECOIL STARTER GROUP

REF. No. 13641-6174-2



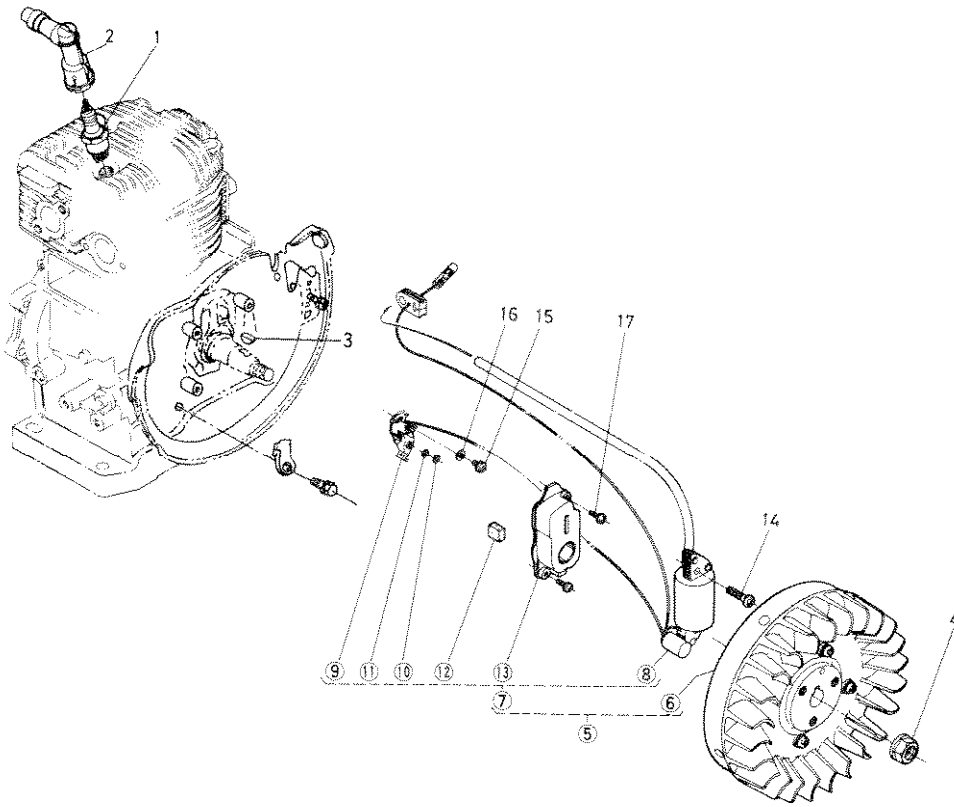
φ: 78 → 77mm

REF. No. 01150-50814
REF. No. 04512-50080



S	REF.No.	CODE No.	DESCRIPTION		UNITÉ UNT	ECHANGEABILITE INTERCHANGEABILITY		REMARQUES REMARKS
			FRANÇAIS	ENGLISH		E C I C	No. No. NUMERO DE SERIE SERIAL No.	
<input type="checkbox"/>	1	13641-6101-0 13641-6101-3	Lanceur complet	ASSY STARTER, recoil	1		~ 10810 10001~	(2)~(3) C(2)~(3)
	2	13641-6151-0	Cartier lanceur	CASE, recoil starter	1			
	3	13641-6152-0	Poulie	REEL	1			
	4	13641-6153-0	Cliquet	CLAW	3			
	5	13641-6154-0	Ressort spiral	SPRING, spiral	1			
	6	13641-6157-0	Rondelle	WASHER, thrust	1			
	7	13641-6163-0	Ressort	SPRING	1			
	8	13257-6185-0	Ressort	SPRING, return	1			
	9	13641-6162-0	Cage de cliquet	PLATE, pressure	1			
	10	13641-6164-0	Rondelle	WASHER, thrust	1			
	11	13641-6156-0	Circlip	CIR-CLIP, external	1			
	12	13641-6109-0	Corde	ROPE	1			
<input type="checkbox"/>	13	13641-6174-0 13641-6174-2	Poulie	PULLEY, starter	1		~ 10810 10001~	C
<input checked="" type="checkbox"/>	14	01150-50814 01120-50814	Boulon	BOLT	3		~ 11902 10001~	C
<input type="checkbox"/>	15	04512-50080	Rondelle grower	WASHER, spring	3		~ 11902	
	16	01202-50610	Boulon	BOLT	4			
	17	13641-6165-0	Corde	ROPE	1			
	18	13641-6167-0	Manette	HANDLE	1			

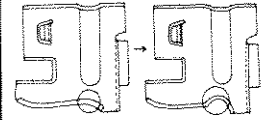
10. VOLANT MAGNETIQUE MAGNETO GROUP



S	REF. No.	CODE No.	DESCRIPTION		UNITE	ECHANGEABILITE INTERCHANGEABILITY		REMARQUES REMARKS
			FRANCAIS	ENGLISH		E C I C	No. NUMERO DE SERIE SERIAL No.	
	1	13644-6771-0	Bougie	SPARK PLUG	1			
	2	13644-6772-0	Capsule de bougie	CAP, spark plug	1			
	3	05811-00416	Clavette	KEY, woodruff	1			
	4	13641-9211-0	Ecrou	NUT	1			
	5	13644-6701-0	Volant magnétique complet	ASSY MAGNETO	1			⑥-⑦ FRANCE
		13825-6701-0						UNITED, KINGDOM
	6	13644-6703-0	Volant	COMP. ROTOR	1			
	7	13644-6705-0	Stater complet	COIL, ignition	1			⑧-⑬ FRANCE
		13825-6705-0						UNITED, KINGDOM
	8	13644-6706-0	Bobine allumage haute tension	COIL, ignition	1			FRANCE
		13825-6706-0						UNITED, KINGDOM
	9	13641-6803-0	Vis platinées	ASSY POINT	1			
	10	13251-6829-0	Circlip	CIR-CLIP, external	1			
	11	13211-6844-0	Rondelle	WASHER, thrust	1			
	12	13251-6806-0	Feutre	FELT, oil	1			
	13	13641-6811-0	Couvercle	COVER, breaker	1			
	14	03004-50625	Vis	SCREW	4			
		01202-50625						C
	15	03024-50410	Vis	SCREW	1			
	16	04013-50040	Rondelle	WASHER, plain	1			
	17	03024-50412	Vis	SCREW	2			
	18	10244-4237-0	Coillier pour câble	CLAMP, cord	1			~10810
		13621-68010	condensateur	epuise				

11. CARTER SPIRAL CASE GROUP

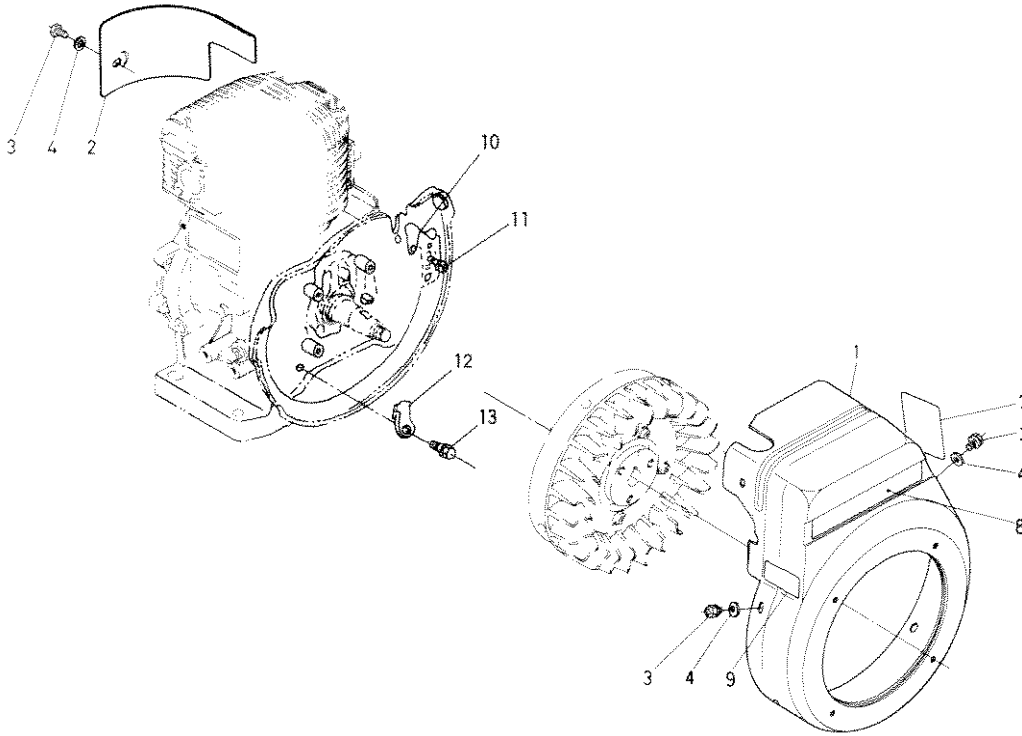
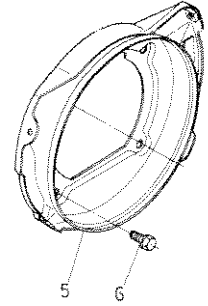
REF. No. ① 13641-7407-5



REF. No. ① 13641-7457-4

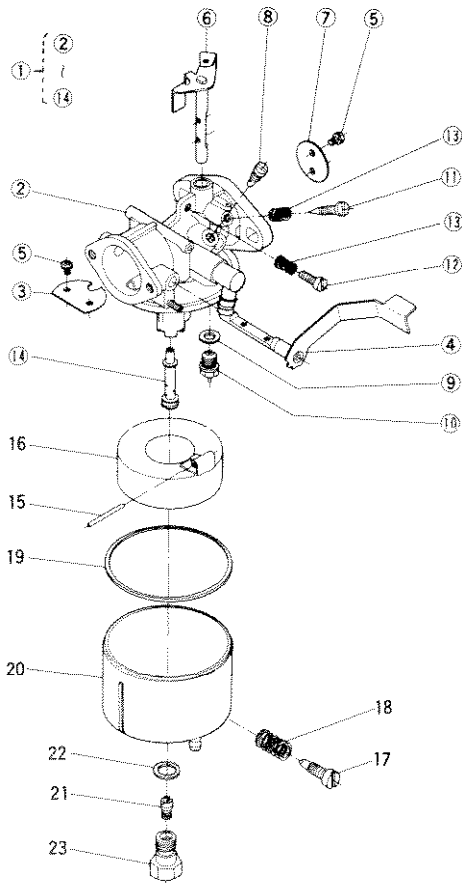


REF. No. ① 13641-7457-2
REF. No. ① 01120-50818



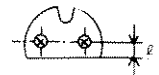
S	REF.No.	CODE No.	DESCRIPTION		UNITE	ÉCHANGEABILITE INTERCHANGEABILITY		REMARQUES REMARKS
			FRANÇAIS	ENGLISH		UNIT	NUMERO DE SERIE SERIAL No.	
	1	13641-7407-0 13641-7407-5	Carter	COMP. CASE, spiral	1		~11310 10001~	B
	2	13641-7449-0	Tôle	COWLING, cylinder	1			
<input type="checkbox"/>	3	01222-50612 13641-7452-0	Boulon	BOLT	6		~11810 10001~	
	4	04013-50060	Rondelle	WASHER	6		~11810	
<input type="checkbox"/>	5	13641-7457-0 13645-7457-0	Support	SUPPORT, spiral	1		~4 1~ 10001~12160	C
	6	01120-50818	Boulon	BOLT	4		~12160	
	7	13644-8711-2 13825-8711-0	Marque	NAME PLATE, engine	1			FRANCE UNITED KINGDOM
	8	13641-8716-0	Marque	MARK, KUBOTA	1			
	9	13644-8751-0	Marque	LABEL, start	1			FRANCE
	10	13641-6767-0	Couvercle	COVER	1	1~	12161~	A
	11	01202-50612	Boulon	BOLT	1		12161~	A
	12	13643-6757-0	Bride serrage	CLAMP, cord	1		12161~	A
	13	01202-50612	Boulon	BOLT	1		12161~	A

12. CARBURATEUR CARBURETTOR GROUP



REF. No. ① 13644-44021
• Numéro de code pour service
• Adopted cord number for service

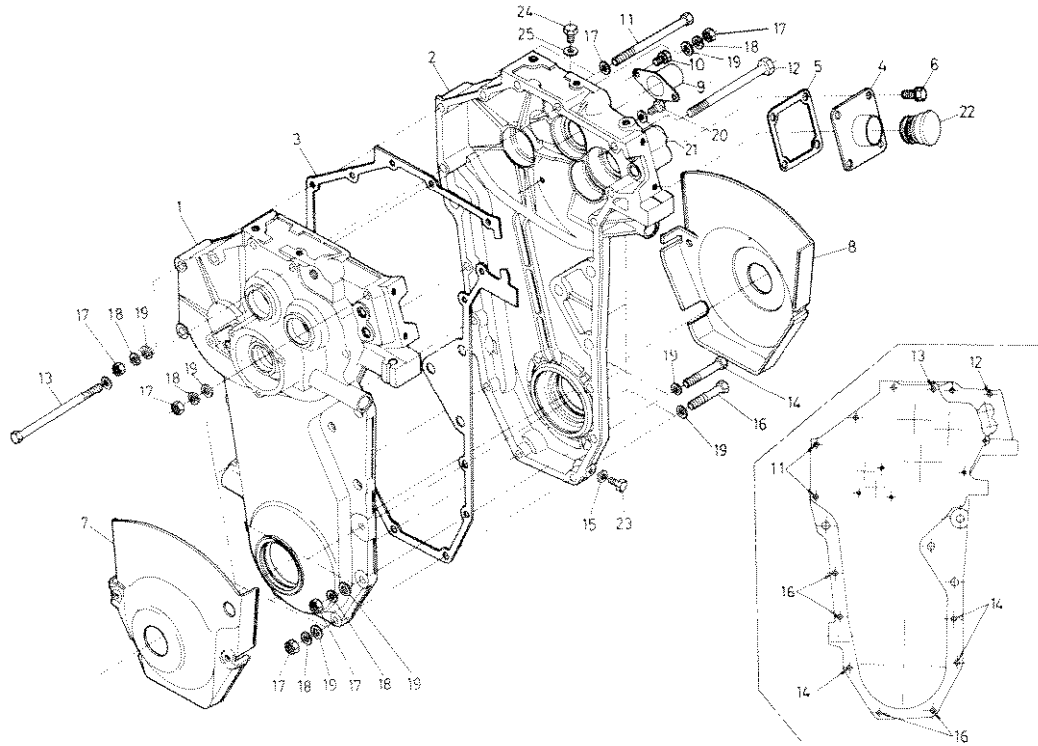
REF. No. ③ 13641-44532



∅: 7 → 8.5mm

S	REF.No.	CODE No.	DESCRIPTION		UNITÉ	ECHANGEABILITE INTERCHANGEABILITY		REMARQUES REMARKS
			FRANÇAIS	ENGLISH		UNT	NUMÉRO DE SÉRIE SERIAL No.	
	1	13644-4402-0	Corps de carburateur complet	ASSY BODY, carburettor	1			A (2)~(14)
	2	13644-4410-0	Corps de carburateur	BODY, carburettor	1			
<input type="checkbox"/>	3	13641-4453-0 13641-4453-2	Papillon de starter	VALVE, choke	1		~11310 10001~	C
	4	13644-4450-0	Axe de starter complet	COMP. SHAFT, choke	1			
	5	03024-50305	Vis	SCREW	4			
	6	13641-4430-0	Axe de gaz complet	COMP. SHAFT, throttle	1			
	7	13211-4432-0	Papillon de gaz	VALVE, throttle	1			
	8	13641-4418-0	Gicleur	PILOT-JET	1			
	9	13591-4485-0	Joint	PACKING	1			
	10	13641-4484-0	Pointeau d'arrivée	VALVE, neeble	1			
	11	13641-4422-0	Vis de réglage	SCREW, pilot	1			
	12	13641-4423-0	Vis de butée	SCREW, idle	1			
	13	13641-4421-0	Ressort	SPRING	2			
	14	13644-4412-0	Diffuseur	NOZZLE, main	1			
	15	13641-4478-0	Axe	PIN, float	1			
	16	13641-4471-0	Flotteur	ASSY FLOAT	1			
	17	13591-4483-0	Vis de vidange	SCREW, drain	1			
	18	13591-4481-0	Ressort	SPRING	1			
	19	13641-4475-0	Joint de cuve	PACKING, float chamber	1			
	20	13641-4473-0	Cuve	CHAMBER, float	1			
	21	13644-4426-0	Gicleur	JET, main	1			
	22	13641-4428-0	Joint	PACKING	1			
	23	13641-4427-0	Pointeau	HOLDER, main jet	1			

13. BOITE DE VITESSES TRANSMISSION GROUP



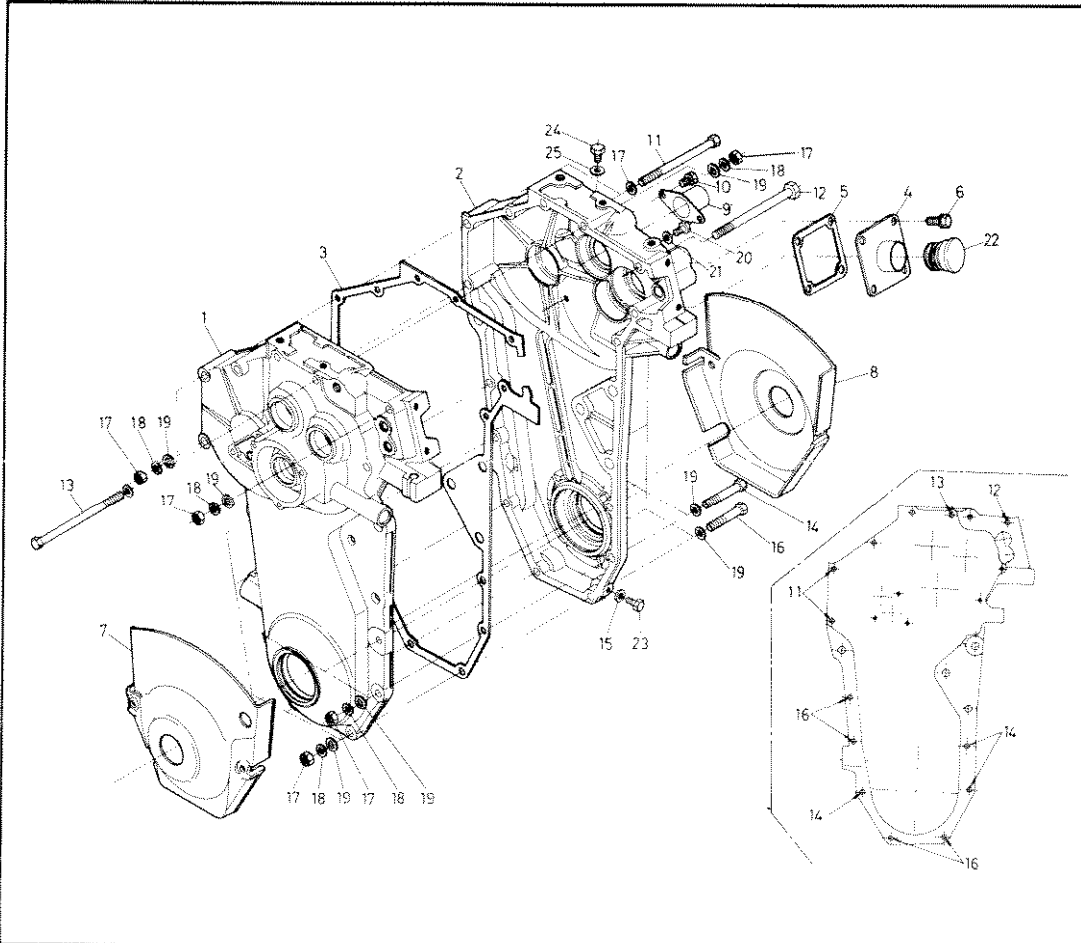
REF. No. ① 62271-11114
 • Renforcé et changé en forme.
 • Reinforced and changed in shape.
 62271-11117

REF. No. ② 62271-11120
 • Renforcé et changé en forme.
 • Reinforced and changed in shape.
 62271-11127

REF. No. ③ 62271-11184
 REF. No. ④ 62271-11194

S	REF.No.	CODE No.	DESCRIPTION		UNITÉ	ECHANGEABILITE INTERCHANGEABILITY		REMARQUES
			FRANÇAIS	ENGLISH		UNIT	NUMERO DE SERIE SERIAL No.	
×	1	62271-1111-0					~10050	
□	1	62271-1111-4	Carter transmission (G)	CASE, transmission LH	1		10001~11300	C
		62271-1111-7					11301~	C
×	2	62271-1112-0					~10050	
□	2	62271-1112-4	Carter transmission (D)	CASE, transmission RH	1		10001~11300	C
□		62271-1112-7					11301~11800	C
		62271-1112-8					11801~	C
	3	62271-1113-0	Joint	PACKING	1			
	4	62271-1114-0	Couvercle	COMP. COVER, case rear	1			
	5	62271-1117-0	Joint	PACKING	1			
	6	01120-50816	Boulon	BOLT	4			
□	7	62271-1118-0	Couvercle (G)	COVER, side LH	1		~11300	
		62271-1118-4					10001~	C
□	8	62271-1119-0	Couvercle (D)	COVER, side RH	1		~11300	
		62271-1119-4					10001~	C
	9	62271-1121-0	Couvercle	COVER	1			
	10	01202-50610	Boulon	BOLT	2			
	11	62271-1122-0	Boulon	BOLT	2		~10050	
					1		10001~	C
	12	62081-1117-0	Boulon	BOLT	1			
	13	62081-1118-0	Boulon	BOLT	1		~10050	
					2		10001~	C
	14	01150-50850	Boulon	BOLT	3			
	15	04717-00800	Rondelle joint	WASHER, seal	1			
	16	01150-50842	Boulon	BOLT	4			
	17	02114-50080	Ecrou	NUT	11			
	18	04512-50080	Rondelle grower	WASHER, spring	11			
	19	04013-50080	Rondelle	WASHER, plain	20			
	20	01050-50610	Boulon	BOLT	1			

13. BOITE DE VITESSES TRANSMISSION GROUP



REF. No. ① 62271-11114
 - Renforcé et changé en forme.
 - Reinforced and changed in shape.
 62271-11117

REF. No. ② 62271-11124
 - Renforcé et changé en forme.
 - Reinforced and changed in shape.
 62271-11127

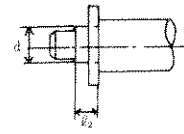
62271-11128

REF. No. ③ 62271-11184
 REF. No. ④ 62271-11194

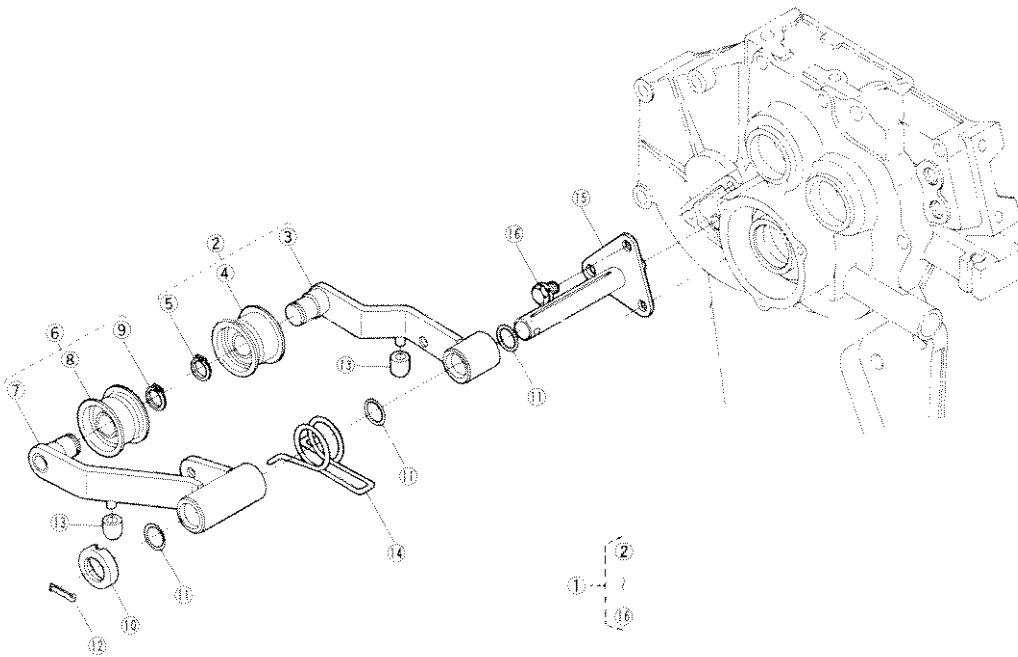
S	REF. No.	CODE No.	DESCRIPTION		UNITÉ	ECHANGEABILITE INTERCHANGEABILITY		REMARQUES REMARKS
			FRANÇAIS	ENGLISH		EC No.	NUMÉRO DE SÉRIE SERIAL No.	
	21	04717-00600	Roudelle joint	WASHER seal	1			
	22	62081-1122-0	Bouchon	CAP. oil filter	1			
	23	01150-50812	Boulon	BOLT	1			
	24	62271-1123-0	Boulon	BOLT	1		10051~	A
	25	04724-00100	Joint	PACKING	1		10051~	A

14. POIGNEE DEPORT MAIN CLUTCH GROUP

REF. No. ③ 62271-1331-3

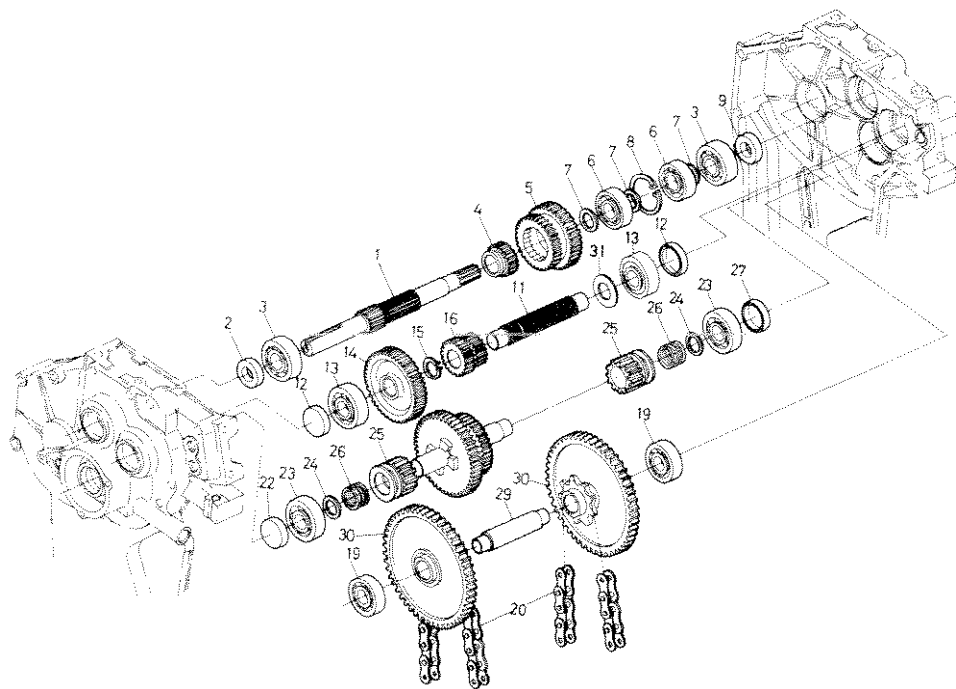


d: φ10 → φ11mm
e: 7mm

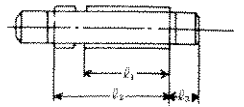


S	REF. No.	CODE No.	DESCRIPTION		UNITÉ UNIT	ECHANGEABILITÉ INTERCHANGEABILITY		REMARQUES REMARKS
			FRANÇAIS	ENGLISH		E.C. I.C.	No. No.	
	1	62271-1301-0	Tendeur courroie complet	ASSY PULLEY, tension	1			②~⑬
	2	62271-1310-0	Tendeur courroie (A) complet	ASSY PULLEY, tension	1			②~⑤
	3	62271-1311-0	Levier (A)	ARM 1, tension pulley	1			
	4	62061-1310-0	Galet	ASSY PULLEY, tension	1			
	⑤	04612-00170 (04612-10170)	Circlip	CIR-CLIP, external	1			
	6	62271-1320-0	Tendeur courroie (B) complet	ASSY PULLEY, tension	1			⑦~⑨
	7	62271-1321-0	Levier (B)	ARM 2, tension pulley	1			
	8	62061-1310-0	Galet	ASSY PULLEY, tension	1			
	⑨	04612-00170 (04612-10170)	Circlip	CIR-CLIP, external	1			
	10	62151-1317-0	Couvercle	COVER	1			
	11	62151-1316-0	Joint caoutchouc	O-RING	3			
	12	05511-50330	Goupille fendue	PIN, split	1			
	13	62151-1315-0	Butée caoutchouc	RUBBER, support	2			
	14	62071-1314-0	Ressort de tension	SPRING, tension pulley	1			
x	15	62271-1331-0 62271-1331-3	Arbre levier	COMP. SHAFT, tension	1		~10005 10001~	C
	16	01120-50816	Bouillon	BOLT	3			

15. BOITE DE VITESSES MISSION GEAR GROUP

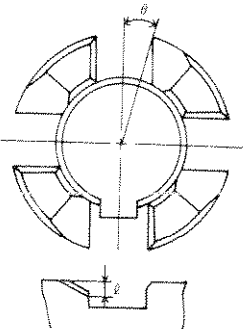


REF. No. 62271-1421-2



L_1 : 87.4 → 85.4 mm
 L_2 : 106 → 104 mm
 ϕ_2 : 15 → 12 mm

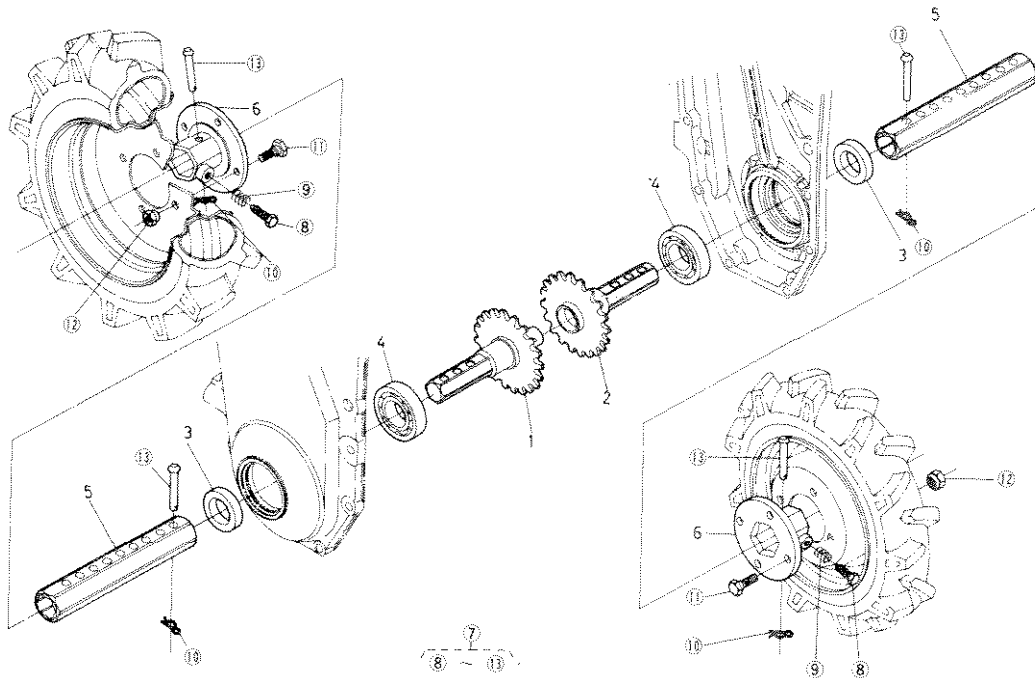
RNF. No. 62271-1430-2



θ : 5° → 18.5°
 ϕ : 2 → 2.5 mm

S	REF. No.	CODE No.	DESCRIPTION		UNITÉ	ÉCHANGEABILITE INTERCHANGEABILITY		REMARQUES REMARKS
			FRANÇAIS	ENGLISH		UNIT	E C T No. / NUMÉRO DE SERIE SERIAL No.	
	1	62271-1411-0	Arbre (1)	SHAFT, 1	1			
	2	09500-20358	Baue joint	SEAL, oil	1			
	3	08101-06304	Roulement à billes (6304)	BEARING, ball (6304)	2			
	4	62271-1412-0	Pignon 18	GEAR, spur 18	1			
	5	62271-1413-0	Pignon 32-39	GEAR, spur 32-39	1			
	6	08101-06204	Roulement à billes (6204)	BEARING, ball (6204)	2			
	7	62271-1414-0	Entretoise	COLLAR	3			
	8	04611-00470	Cirelip	CIR-CLIP, internal	1			
	9	09500-17358	Baue joint	SEAL, oil	1			
	10	62252-1419-0	Rondelle de réglage	SHIM	1			
	11	62271-1421-0 62271-1421-2	Arbre (2)	SHAFT, 2	1		~10814 10001~	C
	12	62271-1422-0	Bouchon	PLUG	2			
	13	08101-06304	Roulement à billes (6304)	BEARING, ball (6304)	2			
	14	62271-1423-0	Pignon 44	GEAR, spur 44	1			
	15	04612-00220	Cirelip	CIR-CLIP, external	1			
	16	62271-1424-0	Pignon 20-17	GEAR, spur 20-17	1			
	17	62252-1419-0	Rondelle de réglage	SHIM	1			
	18	62271-1430-0 62271-1430-2	Arbre (3)	COMP. SHAFT, 3	1		~10814 10001~	C
	19	08101-06303	Roulement à billes (6303)	BEARING, ball (6303)	2			
	20	62271-1443-0	Chaîne	CHAIN	2			
	21	62081-1438-0	Rondelle de réglage	SHIM	1			
	22	62271-1422-0	Bouchon	PLUG	1			
	23	08101-06304	Roulement à billes (6304)	BEARING, ball (6304)	2			
	24	62271-1414-0	Entretoise	COLLAR	2			
	25	62271-1433-0	Pignon 12	GEAR, spur 12	2			

16. AXE HEXAGONAL WHEEL GROUP



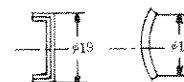
REF.No. ② 62271-1720-3
 • Matière de le pignon de chaîne
 • Material of the sprocket wheel
 S43C → SCM21

REF.No. ③ 62271-1719-1
 • Diamètre extérieur
 • Outside diameter
 φ62 → φ68_{max}

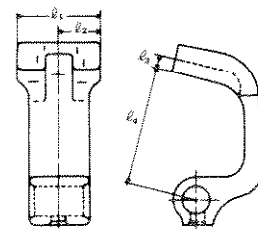
S	REF.No.	CODE No.	DESCRIPTION		UNITE	ECHANGEABILITE INTERCHANGEABILITY		REMARQUES REMARKS
			FRANÇAIS	ENGLISH		E C I C No.	NUMERO DE SERIE SERIAL No.	
	1	62271-1710-0	Axe (1) complet	COMP. AXLE	1			
<input type="checkbox"/>	2	62271-1720-0	Axe (2) complet	COMP. AXLE	1		~11802	
		62271-1720-3					10001~	C
<input type="checkbox"/>	3	09194-06211	Baquet joint	SEAL, oil	2		~11800	
		62271-1719-0					11801~	C
	4	08101-06208	Roulement à billes(6208)	BEARING, ball (6208)	2			
	5	62082-1725-0	Axe hexagonal	TUBE HEXAGON, wheel	2			
	6	62082-1711-0	Moyeu	HUB HEXAGON, wheel	2			
	7	62271-1730-0	Axe pieces complet	ASSY PARTS, axle	1			⑧~⑬
	8	62131-1736-3	Boulon	BOLT, wheel set	2			
	9	63512-1723-0	Ressort	SPRING, set bolt	2			
	10	62131-1729-0	Epingle	PIN, snap	4			
	11	62063-1756-0	Boulon	BOLT, wheel set	8			
	12	62063-1757-0	Ecrou	NUT, wheel set	8			
	13	62131-1732-0	Goupille	PIN, wheel tube	4			

17. CHANGEMENT 1 CHANGE GROUP 1

REF. No. ⑤
62271-1826-1 06311-75018

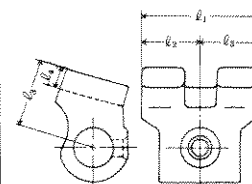


REF. No. ③ 62271-1831-2

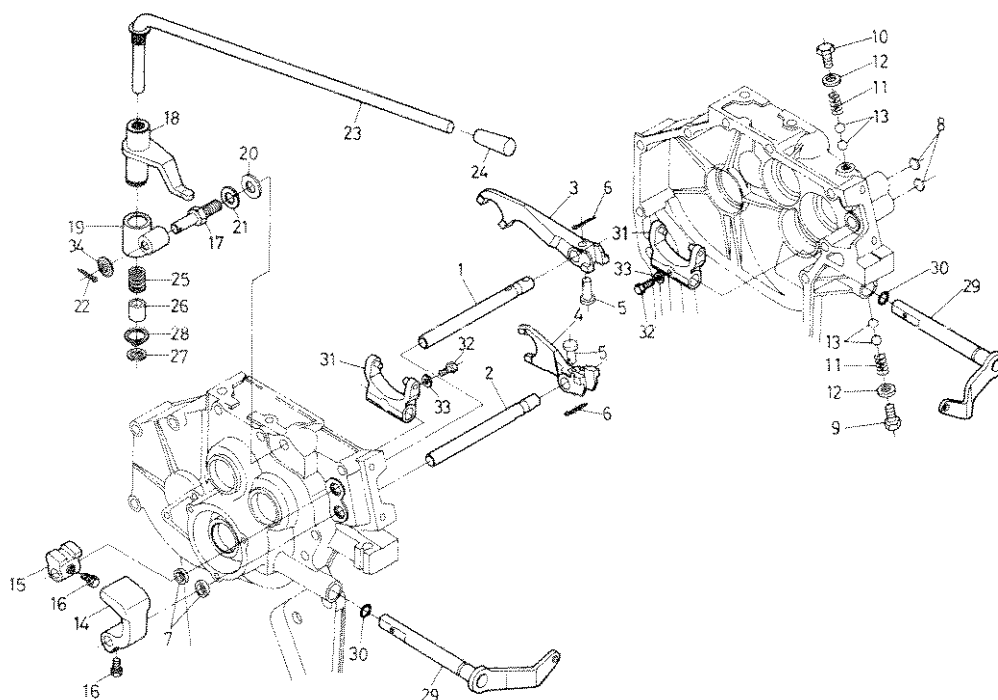


ℓ_1 : 34 → 36mm
 ℓ_2 : 17 → 19mm
 ℓ_3 : 6.5 → 7 mm
 ℓ_4 : 48 → 47.5mm

REF. No. ③ 62271-1832-2

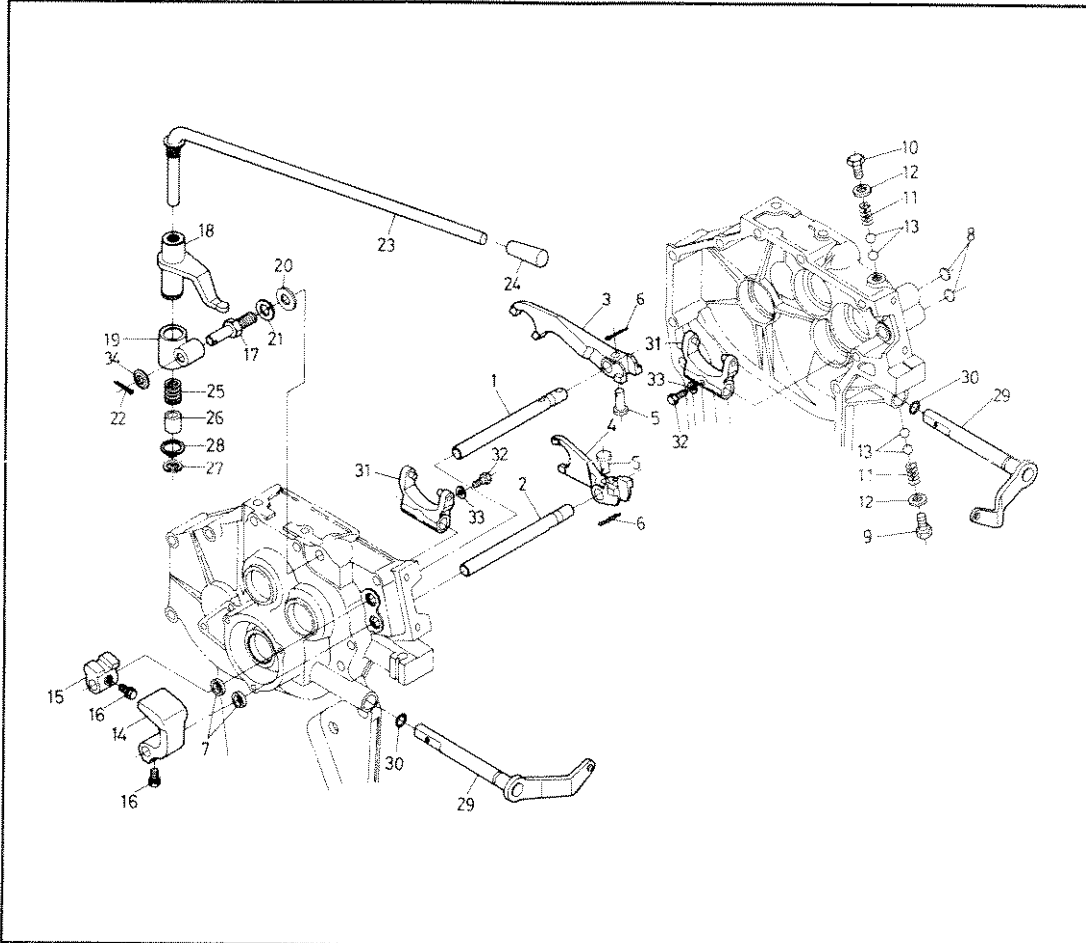


ℓ_1 : 34 → 36mm
 ℓ_2 : 17 → 19mm
 ℓ_3 : 21 → 21.5mm
 ℓ_4 : 6.5 → 7 mm



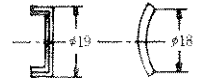
S	REF.No.	CODE No.	DESCRIPTION		UNTE	ECHANGEABILITE INTERCHANGEABILITY		REMARQUES REMARKS
			FRANÇAIS	ENGLISH		UNT	NUMERO DE SERIE SERIAL No.	
	1	62271-1821-0	Axe de fourchette 1	ROD, fork 1	1			
	2	62271-1822-0	Axe de fourchette 2	ROD, fork 2	1			
	3	62271-1823-0	Fourchette 1	FORK, shift 1	1			
	4	62271-1824-0	Fourchette 2	FORK, shift 2	1			
	5	05122-50522	Goupille	PIN, joint	2			
	6	05511-51210	Goupille fendue	PIN, split	2			
	7	09230-12185	Baquet joint	SEAL, oil	2			
	8	62271-1826-0	Bouchon	PLUG	2		10051~11800	A
		06311-75018					10001~	A
	9	62271-1825-0	Boulon	BOLT	1			
	10	62081-1833-0	Boulon	BOLT	1			
	11	62231-1853-0	Ressort	SPRING, stopper	2			
	12	04714-00100	Joint	PACKING	2			
	13	07715-01605	Bille	BALL	4			
x	14	62271-1831-0	Support (I) levier	HOLDER 1, lever	1		~10802	C
		62271-1831-2				2		
x	15	62271-1832-0	Support (I) levier	HOLDER 1, lever	1		10001~	C
		62271-1832-2				2		
	16	01202-50616	Boulon	BOLT	2			
	17	62271-1833-0	Appui coudé	FULCRUM, arm s-change	1			
	18	62271-1834-0	Levier diversion	COMP. ARM, speed-change	1			
	19	62271-1837-0	Appui coudé	FULCRUM, arm s-change	1			
	20	04013-50120	Rondelle	WASHER, plain	1			
	21	04512-50120	Rondelle grower	WASHER, spring	1			
	22	05511-50318	Goupille fendue	PIN, split	1			
	23	62081-1837-0	Levier	LEVER, speed change	1			
②	24	66591-4211-1	Poignée	GRIP, 2	1			
	25	62131-1853-0	Ressort	SPRING	1			

17. CHANGEMENT 1 CHANGE GROUP 1

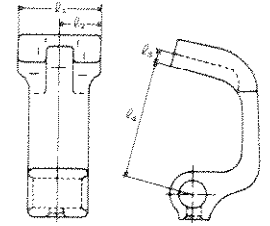


REF. No. Ⓒ

62271 - 1826 - 1 06311 - 75018

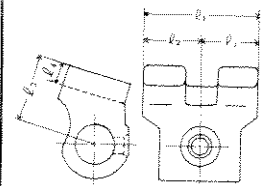


REF. No. Ⓓ 62271 - 1831 - 2



$e_1 : 34 \rightarrow 36 \text{ mm}$
 $e_2 : 17 \rightarrow 19 \text{ mm}$
 $e_3 : 6.5 \rightarrow 7 \text{ mm}$
 $e_4 : 48 \rightarrow 47.5 \text{ mm}$

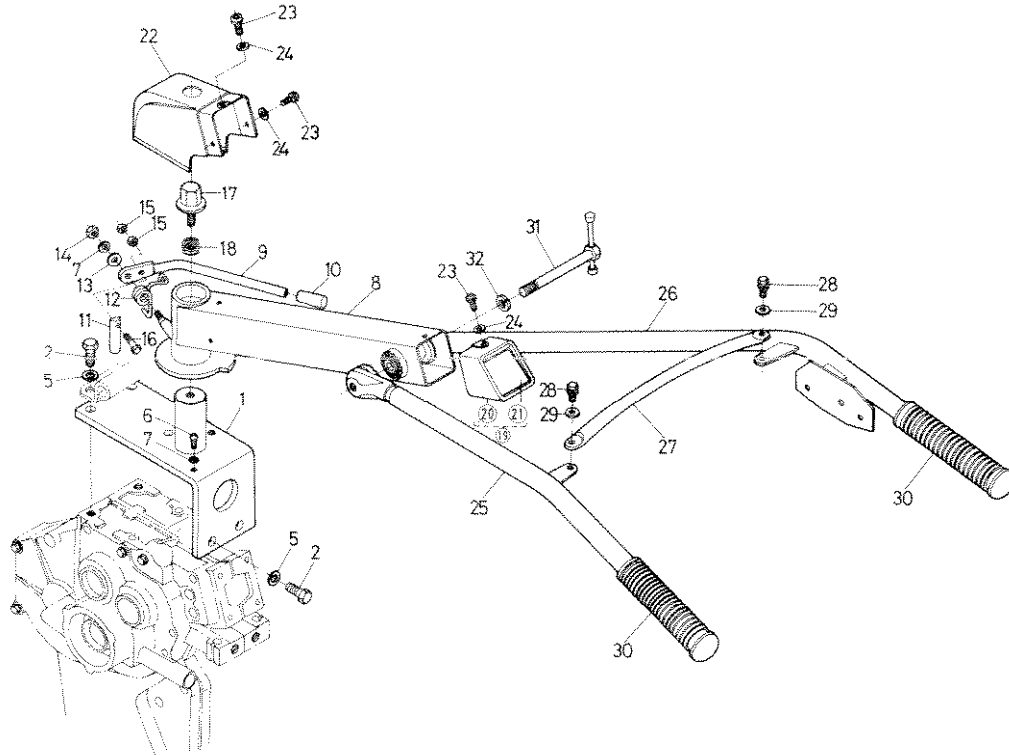
REF. No. Ⓔ 62271 - 1832 - 2



$e_1 : 34 \rightarrow 36 \text{ mm}$
 $e_2 : 17 \rightarrow 19 \text{ mm}$
 $e_3 : 23 \rightarrow 21.5 \text{ mm}$
 $e_4 : 6.5 \rightarrow 7 \text{ mm}$

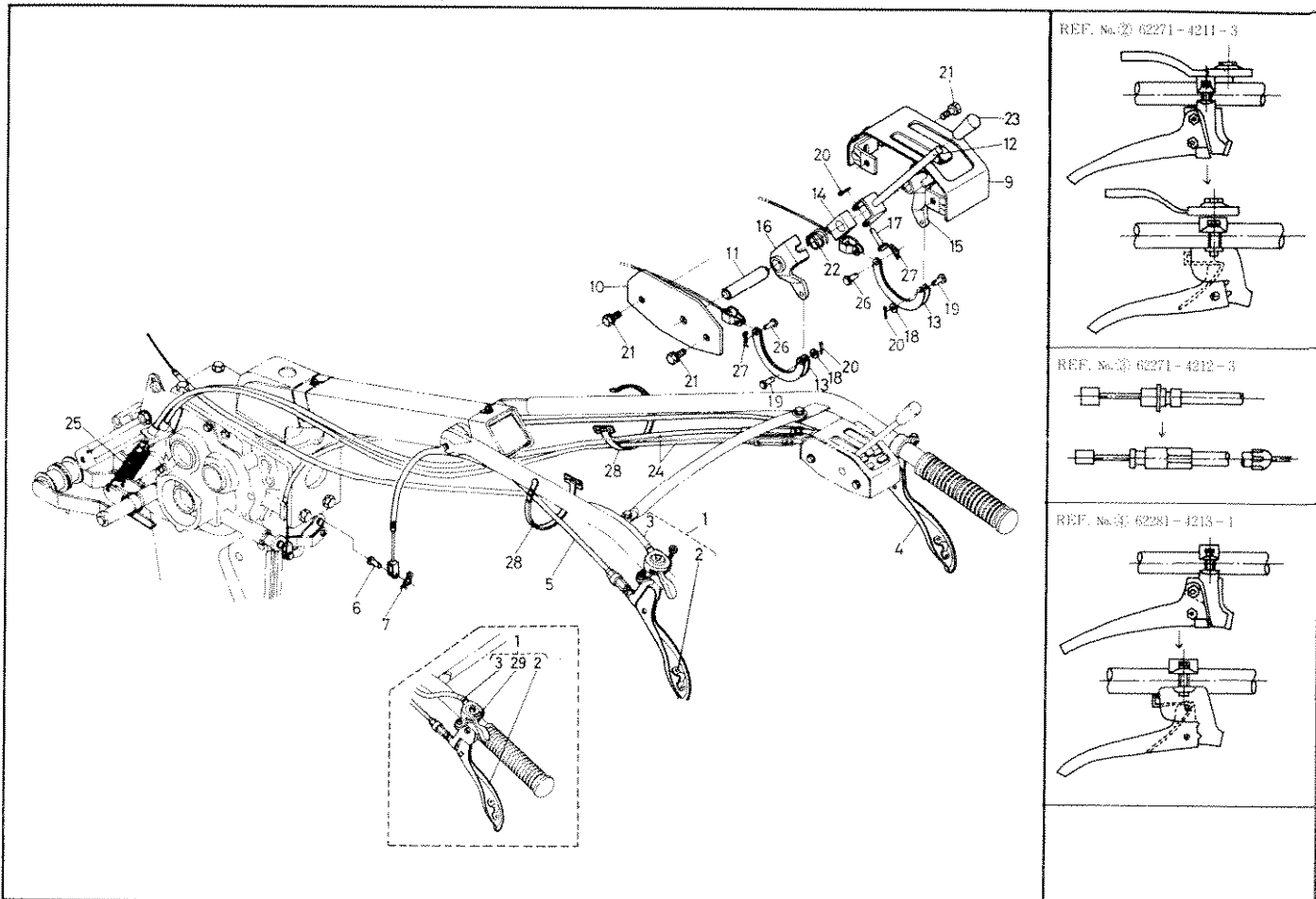
S	REF. No.	CODE No.	DESCRIPTION		UNITE	ECHANGEABILITE INTERCHANGEABILITY		REMARQUES REMARKS
			FRANCAIS	ENGLISH		No. E.C.F.C.	NUMERO DE SERIE SERIAL No.	
	26	61041-4245-0	Entretoise	COLLAR	1			
	①	04613-00070 (04613-10070)	Cirelip	CIR-CLIP, external	1			
	②	04612-00210 (04612-10210)	Cirelip	CIR-CLIP, external	1			
	③	62271-1881-0	Axe	ROD	2			
	30	04811-06100	Joint caoutchouc	O RING	2			
	31	62271-1882-0	Fourchette	FORK, steering	2			
	32	01053-50518	Boulon	BOLT	2			
	33	04512-50050	Rondelle grower	WASHER, spring	2			
	34	62151-4241-2	Ressort	SPRING	1		10006~	A

18. MANCHERON HANDLE GROUP



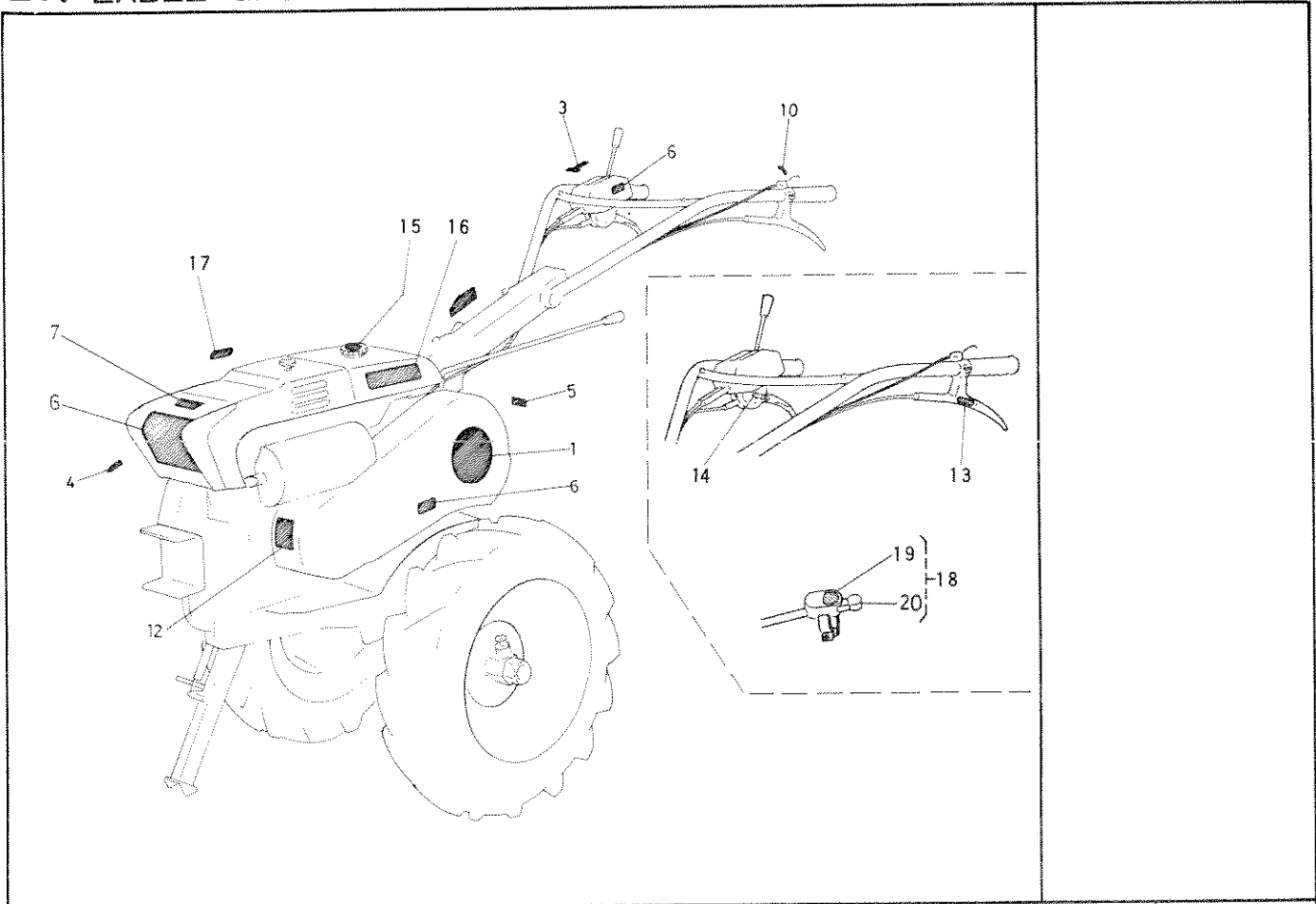
S	REF. No.	CODE No.	DESCRIPTION		UNITÉ UNIT	ECHANGEABILITE INTERCHANGEABILITY		REMARQUES REMARKS
			FRANÇAIS	ENGLISH		E C I C	No. No. NUMERO DE SERIE SERIAL No.	
	1	62271-4111-0	Support	HOLDER, handle	1			
	2	01150-51230	Boulon	BOLT	4			
	3	62081-4112-0	Rondelle de réglage	SHIM	1			
	4	62081-4113-0	Rondelle de réglage	SHIM	1			
	5	04512-50120	Rondelle grower	WASHER, spring	4			
	6	03014-50810	Vis	SCREW, pan head	2			
	7	04512-50080	Rondelle grower	WASHER, spring	3			
	8	62271-4120-0	Cardre complet volant	COMP. FRAME, handle	1			
	9	62081-4131-0	Levier	LEVER	1			
	10	66591-4211-1 64291-2397-0	Poignée	GRIP, 2	1			
	11	62081-4132-0	Goupille	PIN, lock	1			
	12	62081-4133-0	Ressort	SPRING	1			
	13	04013-50080	Rondelle	WASHER, plain	1			
	14	02114-50080	Ecrou	NUT	1			
	15	02014-50060	Ecrou	NUT	2			
	16	62081-4136-0	Boulon	BOLT	1			
	17	62081-4134-0	Boulon	BOLT	1			
	18	62081-4135-0	Ressort	SPRING	1			
	19	62271-4130-0 62275-4130-0	Couvercle (1) complet	ASSY COVER, handle	1			20, 21 FRANCE UNITED. KINGDOM
	20	62082-4141-0	Couvercle (1)	COVER, handle	1			
	21	62271-4811-0 62272-4811-1	Marque	LABEL, speed change	1			FRANCE UNITED. KINGDOM
	22	62271-4142-0	Couvercle (2)	COVER, handle	1			
	23	03004-50616	Vis	SCREW, with washer	4			
	24	04013-50060	Rondelle	WASHER, plain	4			
	25	62271-4150-0	Mancheron (G)	COMP. HANDLE, LH	1			
	26	62271-4160-0	Mancheron (D)	COMP. HANDLE, RH	1			
	27	62082-4171-0	Barre	STAY, handle	1			
	28	01120-50818	Boulon	BOLT	2			
	29	04013-50080	Rondelle grower	WASHER, plain	2			
	30	63633-4131-0	Poignée	GRIP, handle	2			
	31	62082-4180-0	Vis de blocage	ASSY BOLT, jack	1			
	32	04512-50120	Rondelle grower	WASHER, spring	1			

19. CHANGEMENT DE VITESSES CHANGE GROUP



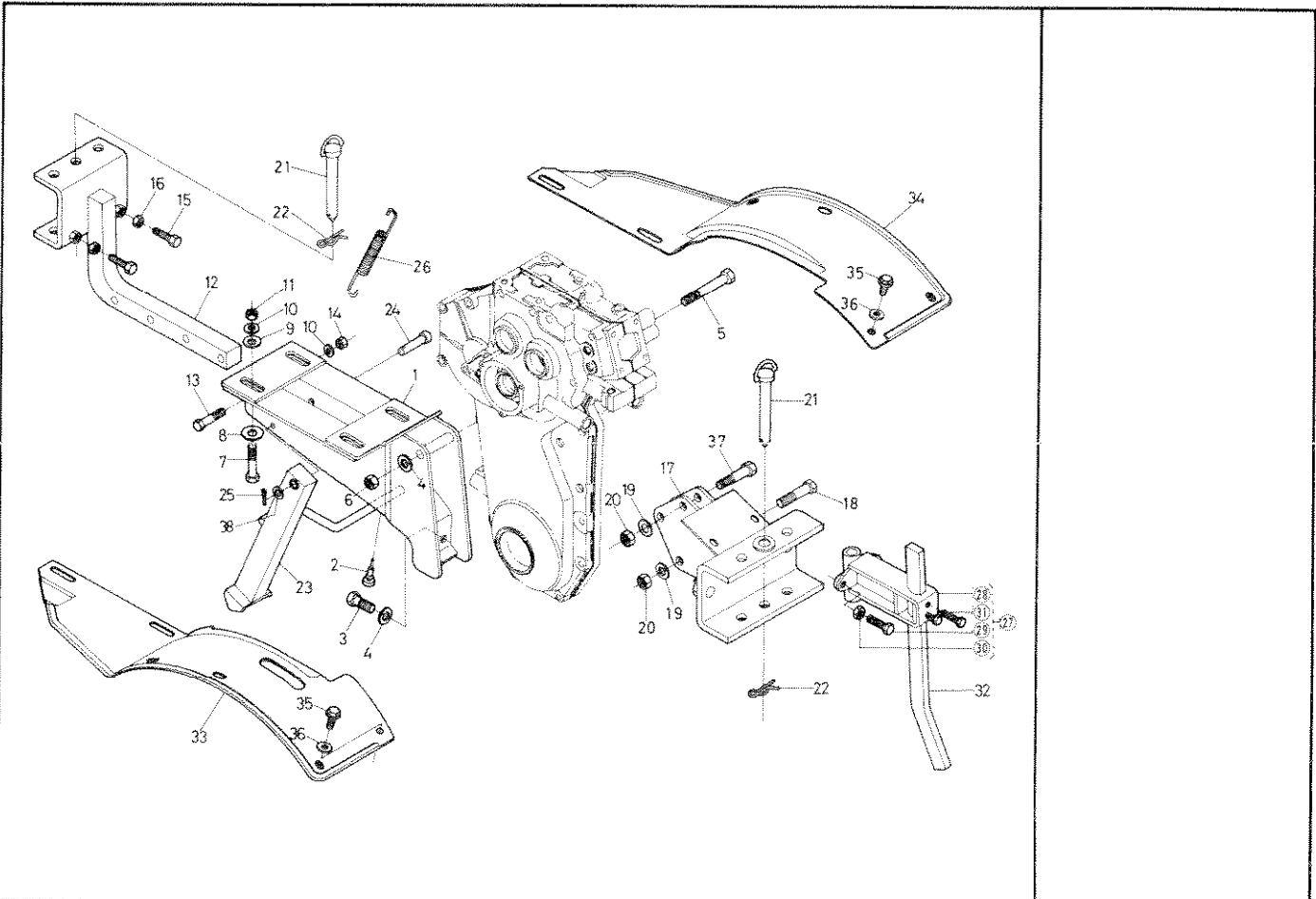
S	REF.No.	CODE No.	DESCRIPTION		UNITE	ÉCHANGEABILITE INTERCHANGEABILITY		REMARQUES REMARKS
			FRANÇAIS	ENGLISH		UNT	EC I C No. / NUMÉRO DE SÉRIE SERIAL No.	
	1	62271-4210-0 62271-4210-3	<i>épuisé</i> Poignée crabot complet	ASSY LEVER, steering clutch	1			②, ③
x	2	62271-4211-0 62271-4211-3	Poignée crabot (G)	LEVER, steering clutch LH	1		~11300 11301~	C
□	3	62271-4212-0 62271-4212-3	<i>épuisé</i> Cable de gaz	WIRE, throttle	1		~11800 11801~	C
x	4	62271-4213-0 62281-4213-0	Poignée crabot (D)	LEVER, steering clutch RH	1		~11300 11301~	C
	5	62271-4214-0	Cable de crabot	WIRE, steering clutch	2			
	6	05122-50614	Axe	PIN, joint	2			
	7	62101-4229-0	Épingle	PIN, snap	2			
	8	62081-4210-0	Commande embrayage complète	ASSY CLUTCH, tension	1			
	9	62081-4211-0	Carter	CASE, tension	1			
	10	62081-4212-0	Couvercle	COVER, tension case	1			
	11	62081-4213-0	Axe	SHAFT	1			
	12	62081-4214-0	Levier	LEVER, clutch	1			
	13	62081-4215-0	Levier	JOINT, wire	2			
	14	62081-4216-0	Levier	JOINT	1			
	15	62081-4217-0	Support (D)	SUPPORT, RH	1			
	16	62081-4218-0	Support (G)	SUPPORT, LH	1			
	17	05122-50630	Axe	PIN, joint	1			
	18	04012-50060	Rondelle	WASHER, plain	2			
	19	05122-50614	Axe	PIN, joint	2			
	20	05511-51612	Goupille fendue	PIN, split	3			
	21	01120-50816	Boulon	BOLT	4			
	22	62081-4221-0	Ressort	SPRING	1			
	23	34150-2456-0	Poignée	GRIP, lever	1			
	24	62271-4221-0	Cable embrayage	WIRE, main clutch	2			
	25	62271-4222-0	Poignée	SPRING	2			
	26	05122-50614	Axe	PIN, joint	2			
	27	62101-4229-0	Épingle	PIN, snap	2			
	28	63763-4137-0	Attache	BAND, wire	2			
	29	61111-4822-0		LABEL	1			UNITED KINGDOM

20. MARQUE LABEL GROUP



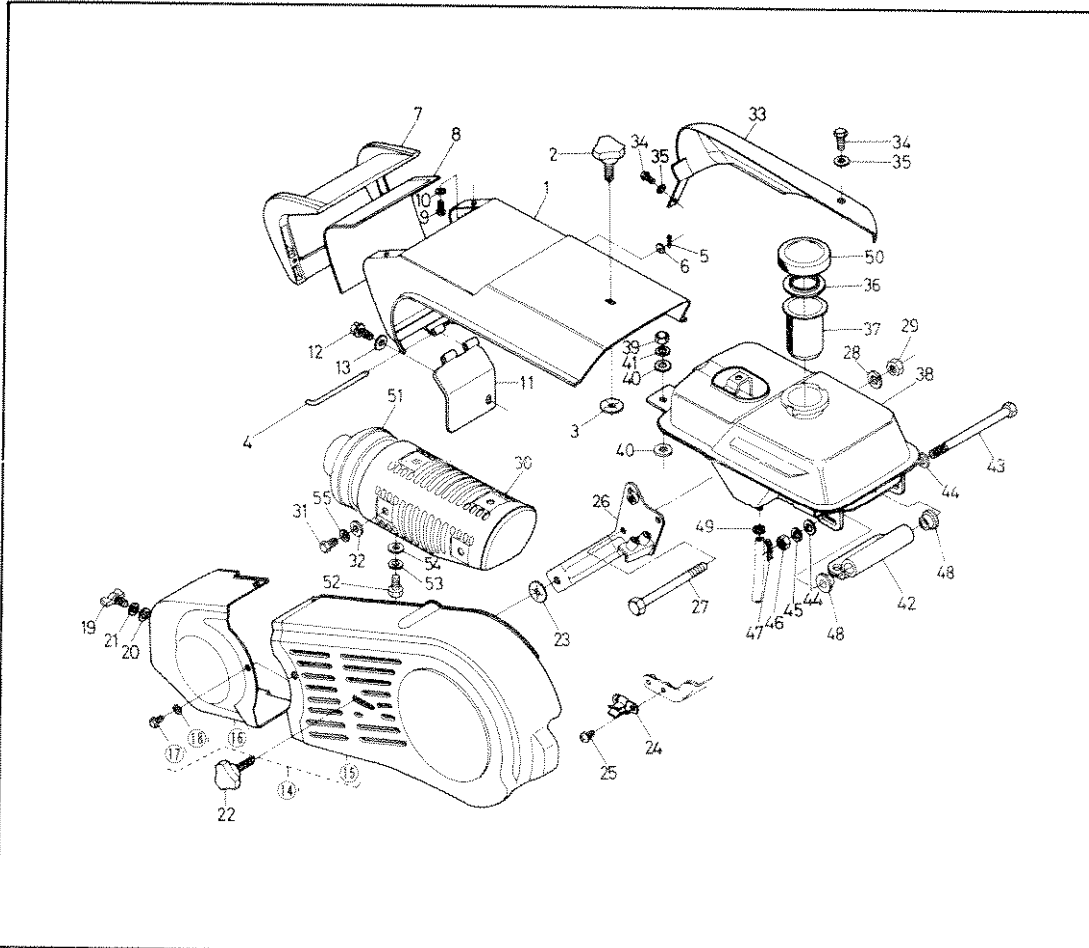
S	REF. No.	CODE No.	DESCRIPTION		UNITÉ	ECHANGEABILITE INTERCHANGEABILITY		REMARQUES REMARKS
			FRANCAIS	ENGLISH		UNIT	EC No. / I C No.	
	1	62271-4812-0	Marque	MARK, form	1			
	2	62271-4813-0	Marque	LABEL	1			FRANCE
		62272-4813-1						UNITED, KINGDOM
	3	62271-4814-0	Marque	LABEL	1			FRANCE
		62481-4813-0						UNITED, KINGDOM
	4	61011-4919-0	Marque	LABEL	1			FRANCE
		62272-4815-0						UNITED, KINGDOM
	5	62082-4716-0	Marque	LABEL	1			FRANCE
		62272-4816-0						UNITED, KINGDOM
	6	62073-4722-0	Marque	LABEL	2			FRANCE
		62171-4719-0						UNITED, KINGDOM
	7	62171-4714-0	Marque	LABEL	1			
	8	62073-4731-0	Marque	LABEL	1			
	9	62271-4816-0	Marque	LABEL	1			FRANCE
		62272-4817-1						UNITED, KINGDOM
	10	62271-4817-0	Marque	LABEL	1	1 ~	~11300	
	11	61041-4711-0	Marque	LABEL	1			
	12	13518-8831-0	Marque	LABEL	1			FRANCE
		13613-8831-0						UNITED, KINGDOM
	13	61161-4822-0	Marque	LABEL	1			
	14	61161-4823-0	Marque	LABEL	1			
	15	61025-4822-0	Marque	LABEL	1			
	16	61025-4824-0	Marque	LABEL	1			
	17	61036-4714-0	Marque	LABEL	1			UNITED, KINGDOM
	18	62275-5510-0		ASSY, switch	1			(19), (20)
	19	61132-5511-0		LABEL, switch	1			
	20	62275-5512-0		SWITCH	1			

21. SUPPORT MOTEUR FRONT FRAME GROUP

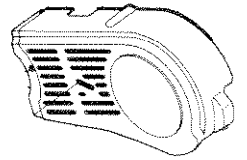


S	REF. No.	CODE No.	DESCRIPTION		UNITE UNIT	ECHANGEABILITE INTERCHANGEABILITY		REMARQUES REMARKS
			FRANCAIS	ENGLISH		E I C	No. No. No.	
	1	62271-5110-0	Support moteur complet	COMP. FRAME, front	1			
	2	63611-5235-0	Butée	RUBBER	1			
	3	01153-51230	Boulon	BOLT	2			
	4	04513-50120	Rondelle grower	WASHER, spring	3			
	5	01173-51285	Boulon	BOLT	1			
	6	02174-50120	Ecrou	NUT	1			
	7	01170-51055	Boulon	BOLT	4			
	8	04015-50100	Rondelle	WASHER, plain	4			
	9	04013-50100	Rondelle	WASHER, plain	4			
	10	04512-50100	Rondelle grower	WASHER, spring	6			
	11	02118-50100	Ecrou	NUT	4			
	12	62271-5131-0	Attelage	COMP. HITCH, front	1			
	13	01173-51045	Boulon	BOLT	2			
	14	02176-50100	Ecrou	NUT	2			
	15	01172-51035	Boulon	BOLT	2			
	16	02116-50100	Ecrou	NUT	2			
	17	62271-5210-0	Attelage	COMP. HITCH	1			
	18	01173-51255	Boulon	BOLT	2			
	19	04513-50120	Rondelle grower	WASHER, spring	3			
	20	02176-50120	Ecrou	NUT	3			
	21	62151-5215-0	Cheville	PIN, hitch	2			
	22	05515-51600	Epingle	PIN, snap	2			
	23	62271-5220-0	Bequille complet	COMP. STAND	1			
	24	05122-50850	Axe	PIN, joint	1			
	25	05511-50215	Goupille fendue	PIN, split	1			

22. CAPOT-RESERVOIR BONNET GROUP



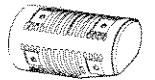
REF. No. 62271-5431-3



REF. No. 62271-5435-1



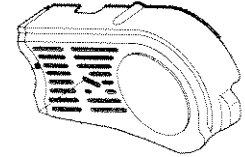
REF. No. 62271-5445-2



S	REF.No.	CODE No.	DESCRIPTION		UNITÉ	ÉCHANGEABILITÉ INTERCHANGEABILITY		REMARQUES REMARKS
			FRANÇAIS	ENGLISH		E C I C	No. No. NUMÉRO DE SÉRIE SERIAL No.	
	1	62271-5410-0	Capot	COMP. PONNET	1			
	2	63763-5257-0	Vis capot	GRIP, tool box	1			
	3	62151-5454-0	Rondelle frein	SET, screw	1			
	4	61042-5335-0	Axe	PIN, bonnet stay	1			
	5	05511-51210	Goupille fendue	PIN, split	1			
	6	04013-50040	Rondelle	WASHER, plain	1			
	7	62151-5451-0	Enjoliveur	GRILL, light	1			
	8	62082-5412-0	Protège-phare	PLATE, light grill	1			
	9	01202-50610	Boulon	BOLT	4			
	10	04013-50060	Rondelle	WASHER, plain	4			
	11	62271-5421-0	Support capot	STAY, bonnet	1			
	12	01120-50816	Boulon	BOLT	2			
	13	04013-50080	Rondelle	WASHER, plain	2			
<input type="checkbox"/>	14	62271-5430-0 62271-5430-3	Carter	ASSY COVER, belt	1			15-16 B 15-16
<input type="checkbox"/>	15	62271-5431-0 62271-5431-4	Carter (A)	COMP. COVER, belt 1	1		~10802 10803~	B
<input type="checkbox"/>	16	62271-5435-0 62271-5435-2	Carter (B)	COMP. COVER, belt 2	1		~10802 10001~	B
	17	01202-50612	Boulon	BOLT	3			
	18	04013-50060	Rondelle	WASHER, plain	3			
	19	01811-50818	Vis papillon	BOLT, wing	1			
	20	04013-50080	Rondelle	WASHER, plain	1			
	21	04512-50080	Rondelle grower	WASHER, spring	1			
	22	63763-5257-0	Vis	GRIP, tool box	1			
	23	62151-5454-0	Rondelle frein	SCREW, set	1			
	24	62271-5438-0	Support	STOPPER	1			
	25	03004-50612	Vis	SCREW, with washer	2			
	26	62271-5440-0	Support	COMP. SUPPORT, belt C	1			
	27	62081-1118-0	Boulon	BOLT	2			
	28	04512-50080	Rondelle grower	WASHER, spring	2			
	29	02114-50080	Ecrou	NUT	2			
<input type="checkbox"/>	30	62271-5445-0 62271-5445-3	Enjoliveur (A)	COVER, muffler 1	1		~10802 10803~	C

22. CAPOT-RESERVOIR BONNET GROUP

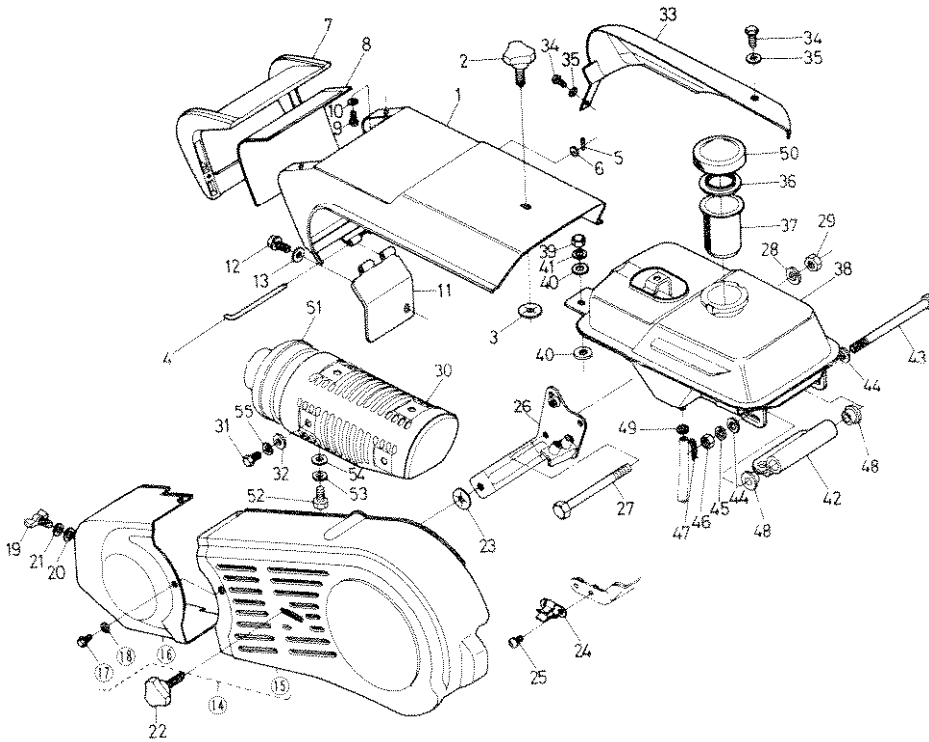
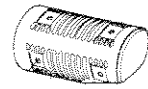
REF. No. 62271-5431-3



REF. No. 62271-5435-1

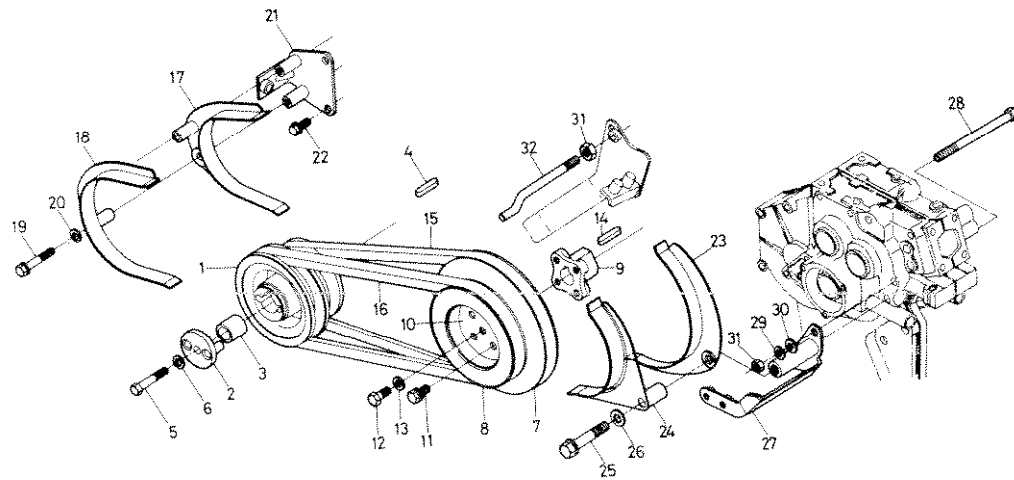


REF. No. 62271-5445-2



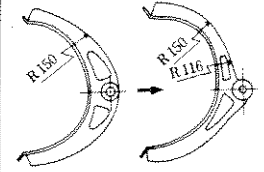
S	REF. No.	CODE No.	DESCRIPTION		UNITÉ UNIT	ECHANGEABILITE INTERCHANGEABILITY		REMARQUES REMARKS
			Français	English		E C T C No.	NUMERO DE SERIE SERIAL No.	
	31	01150-50814	Boulon	BOLT	4			
	32	04013-20080	Rondelle	WASHER, plain	4			
	33	62271-5451-0	Enjoliveur	COVER	1			
	34	01202-50612	Boulon	BOLT	2			
	35	04013-50060	Rondelle	WASHER, plain	2			
	36	10211-4134-0	Joint	PACKING	1			
	37	13251-4106-0 (13251-4153-3)	Filtre	FILTER	1			
	38	62271-5470-0	Réservoir complet	COMP. TANK, fuel	1			
	39	02118-50100	Ecrou	NUT	2			
	40	04013-50100	Rondelle	WASHER, plain	4		~10005 10006~	
	41	04512-50100	Rondelle grower	WASHER, spring	2			
	42	62271-5481-0	Support	STAY, fuel tank	1			
	43	62271-5482-0	Boulon	BOLT	1			
	44	04013-50080	Rondelle	WASHER, plain	2			
	45	04512-50080	Rondelle grower	WASHER, spring	1			
	46	02114-50080	Ecrou	NUT	1			
	47	05515-50800	Epingle	PIN, snap	1			
	48	62091-5433-0	Butée	RUBBER	2			
	49	13268-4236-0	Bride serrage	CLAMP, fuel pipe	1			
	50	13502-4105-0	Bouchon réservoir	ASSY CAP, fuel tank	1			
	51	62271-5448-0	Enjoliveur (B)	COVER, muffler 1	1			A
	52	01050-50610	Boulon	BOLT	2		10803~	A
	53	04512-50060	Rondelle grower	WASHER, spring	2			A
	54	04013-20060	Rondelle	WASHER, plain	2			A
	55	04512-20080	Rondelle grower	WASHER, spring	4			

23. COURROIES & CARTERS PULLEY BELT GROUP



REF. No. 62271-6222-2
• Renforcé
• Reinforced

REF. No. 62271-6235-1

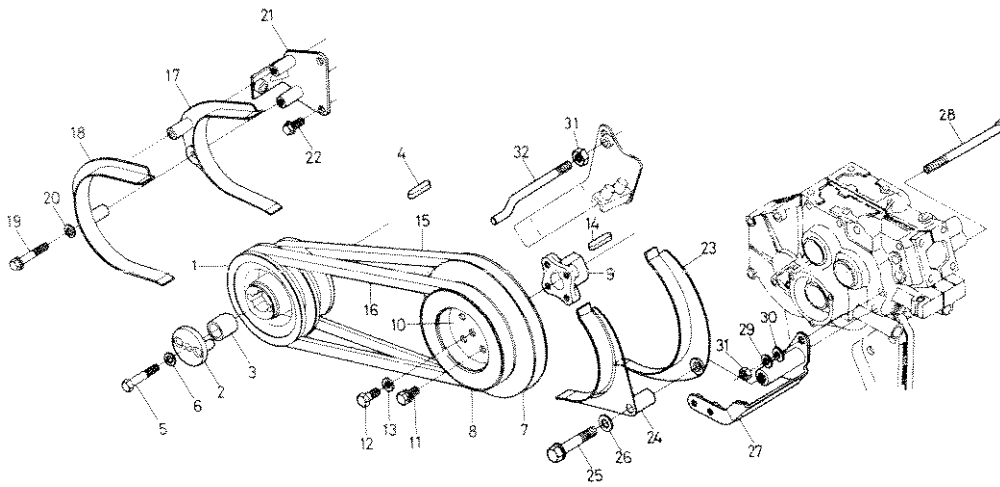
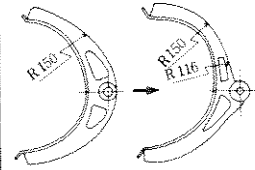


S	REF.No.	CODE No.	DESCRIPTION		UNITE	ECHANGEABILITE INTERCHANGEABILITY		REMARQUES REMARKS
			FRANÇAIS	ENGLISH		UNIT	NUMERO DE SERIE SERIAL No.	
	1	62271-6321-0	Poulie 100-120	PULLEY, 100-120	1			
×	2	62271-6222-0	Rondelle	WASHER	1		~ 10302	
		62271-6222-2					10001~	C
	3	62271-6223-0	Entretoise	COLLAR	1			
	4	05712-00740	Clavette	KEY, feather	1			
	5	01153-50845	Boulon	BOLT	1			
	6	04513-50080	Rondelle grower	WASHER, spring	1			
	7	62182-1325-0	Poulie 180	PULLEY, 180	1			
	8	62182-1326-0	Poulie 130	PULLEY, 130	1			
	9	62252-1327-0	Manchon	BOSS, pulley	1			
	10	62072-6133-0	Rondelle	WASHER	1			
	11	01120-50818	Boulon	BOLT	4			
	12	01153-50816	Boulon	BOLT	1			
	13	04512-50080	Rondelle grower	WASHER, spring	1			
	14	05712-00540	Clavette	KEY, feather	1			
2	15	62151-8122-0	Courroie 43	BELT, V 43	1			
A	16	62073-6114-0	Courroie 41	BELT, V 41	1			
	17	62271-6227-0	Guide (100)	HOLDER, belt 100	1			
	18	62271-6228-0	Guide (120)	HOLDER, belt 120	1			
	19	01120-50850	Boulon	BOLT	2			
	20	04013-50080	Rondelle	WASHER, plain	2			
	21	62271-6230-0	Support	COMP. SUPPORT, belt C	1			
	22	01120-50818	Boulon	BOLT	2			
	23	62252-5318-0	Guide (180)	HOLDER, belt 180	1		~ 10802	
		62271-6235-0					10001~	B
	24	62182-5317-0	Guide (130)	HOLDER, belt 130	1			
	25	01130-51060	Boulon	BOLT	1			

23. COURROIES & CARTERS PULLEY BELT GROUP

REF. No. (2) 62271-6222-2
 • Renforcé
 • Reinforced

REF. No. (3) 62271-6235-1



S	REF. No.	CODE No.	DESCRIPTION		UNITE	ECHANGEABILITE INTERCHANGEABILITY		REMARQUES REMARKS
			FRANCAIS	ENGLISH		E C I C No.	NUMERO DE SERIE SERIAL No.	
	26	04013-50100	Rondelle	WASHER, plain	1			
	27	62271-6240-0	Guide	COMP. HOLDER, belt RE	1			
	28	62081-1118-0	Boulon	BOLT	2			
	29	04512-50080	Rondelle grower	WASHER, spring	2			
	30	04013-50080	Rondelle	WASHER, plain	2			
	31	02114-50080	Ecrou	NUT	3			
	32	62271-6244-0	Axe	ROD, belt holder	1			

24. ACCESSOIRES ET PIÈCES DE SERVICE ACCESSORIES AND SERVICE PARTS

S	REF. No.	CODE No.	DESCRIPTION		UNITÉ	ÉCHANGEABILITÉ INTERCHANGEABILITY		REMARQUES REMARKS
			FRANÇAIS	ENGLISH		UNIT	E C I C	
	1	62271-6310-0	Outils complet	ASSY TOOLS	1			
	2	63733-6161-0	Burette à huile	FEEDER, oil	1			
	3	14107-9141-0	Entonnoir	FUNNEL	1			
	4	62271-6321-0	Manuel d'instruction	MANUAL, instruction	1			FRANCE
		62275-6321-0						UNITED, KINGDOM
	5	62163-4724-0	Marque d'antirouille	LABEL, antirust	1			FRANCE
		62074-4724-0						UNITED, KINGDOM
	6	62271-1102-0	Boîte avec bouchon	CASE, with plug	1			
	7	13641-2191-0	Piston	PISTON	1			
	8	13641-2109-0	Jeu de segments	ASSY PISTON RING	1			
	9	62271-6322-0	Liste des pièces, pour Utilisateur	PARTS LIST, for user	1			
	10	07909-51550	Liste des pièces, pour Fournisseur	ILLUSTRATED PARTS LIST, for dealer	1			
	11	13641-2192-0	Piston	PISTON (+1.0mm)	1			
	12	13641-2110-0	Jeu de segment	ASSY PISTON RING (+1.0mm)	1			
	13	13641-2191-0	Piston	PISTON (+0.5mm)	1			
	14	13641-2109-0	Jeu de segment	ASSY PISTON RING (+0.5mm)	1			
	15	62089-9910-0	Poulie complet	ASSY PULLEY	1			(16-22)
	16	61042-8351-0	Poulie (100)	PULLEY (100)	1			
	17	62089-9911-0	Manchon	BOSS PULLEY	1			
	18	62089-9912-0	Rondelle	COLLAR	1			
	19	61041-6124-0	Rondelle	WASHER	1			
	20	01120-50618	Boulon	BOLT	4			
	21	01153-50828	Boulon	BOLT	1			
	22	04512-50080	Rondelle	WASHER	1			

A la commande des pièces, indiquer les No. de Code dans les pages illustrées et ne pas ici au-dessous.

In the numerical list, the last figures of the Code Nos. for parts other than standard parts are listed as "0".

Code No.	Page	Code No.	Page	Code No.	Page
01050-50610	5, 13, 27	03024-50412	10	07715-01605	19
01050-50650	3	03054-50408	7	07909-51550	30
01050-50685	3	03054-50512	8	08101-06204	16
01053-50518	20	04011-50100	4	08101-06206	5, 6
01120-50618	30	04012-50060	8, 22	08101-06208	18
01120-50814	9	04013-20060	27	08101-06303	16
01120-50816	3, 13, 15, 22, 26	04013-20080	27	08101-06304	16
01120-50818	8, 11, 21, 25, 28	04013-50040	10, 26	08101-06305	6
01120-50835	1	04013-50060	4, 11, 21, 26, 27	09194-06211	18
01120-50850	28	04013-50080	3, 4, 13, 21, 25 26, 27, 28, 29	09230-12185	19
01130-51060	28	04013-50100	24, 27, 28, 29	09500-00023	6
01150-50812	4, 14	04013-50120	7, 19	09500-17358	16
01150-50814	9, 27	04015-50100	24	09500-20358	16
01150-50842	13	04512-20080	27	10211-41340	27
01150-50850	13	04512-50040	7	10244-42370	10
01150-51230	21	04512-50050	20	13000-11310	3
01152-51245	25	04512-50060	3, 5, 8, 27	13000-11320	3
01153-50816	28	04512-50080	4, 9, 13, 21, 26 27, 28, 29, 30	13211-44320	12
01153-50828	30	04512-50100	4, 24, 27	13211-68440	10
01153-50845	28	04512-50120	19, 21	13223-11650	3
01153-51045	1	04513-50080	28	13241-11650	3
01153-51230	24	04513-50120	24	13242-05550	3
01170-51055	24	04611-00470	16	13251-41060	27
01172-51035	24	04612-00070	20	13251-41353	27
01173-51045	24	04612-00170	15	13251-68060	10
01173-51255	24	04612-00210	20	13251-68290	10
01173-51280	25	04612-00220	16	13257-61850	9
01173-51285	24	04612-10170	15	13268-13450	2
01202-50610	4, 5, 9, 13, 26	04612-10210	20	13268-42360	7, 27
01202-50612	3, 11, 26, 27	04613-00070	8, 20	13274-16640	5
01202-50616	19	04613-10070	20	13278-13560	1
01202-50618	8	04613-50070	8	13281-12230	4
01202-50625	2, 10	04711-00120	1	13291-13540	1
01222-50612	11	04714-00100	19	13301-11240	3
01518-50630	3	04717-00600	14	13301-11260	3
01811-50818	26	04717-00800	13	13301-11370	3
02014-50060	3, 8, 21	04724-00100	14	13301-56860	8
02074-50120	7	04811-00180	1	13316-93410	8
02112-50120	25	04811-06100	20	13325-94510	1
02114-50080	4, 13, 21, 26, 27, 29	05122-50522	19	13502-41050	27
02116-50100	24	05122-50614	22	13518-88310	23
02118-50100	4, 24, 27	05122-50630	22	13581-93410	8
02172-50120	7	05122-50850	24	13591-44810	12
02174-50120	24	05511-50215	24	13591-44830	12
02176-50100	24	05511-50318	19	13591-44850	12
02176-50120	24	05511-50330	15	13613-88310	23
03004-50612	26	05511-51210	19, 26	13621-42360	7
03004-50616	21	05511-51612	22	13641-01310	1
03004-50625	10	05515-50800	27	13641-01320	1
03012-50306	7	05515-51600	24	13641-01340	1
03014-50810	21	05515-55000	24	13641-02120	1
03024-50305	12	05712-00540	28	13641-02125	1
03024-50306	12	05712-00740	28	13641-03110	1
03024-50408	8	05811-00416	5, 6, 10	13641-03310	1
03024-50410	10	06311-75018	19	13641-03540	1
				13641-05010	2

Code No.	Page	Code No.	Page	Code No.	Page
13641-13110	2	13641-44750	12	13644-12110	4
13641-13120	2	13641-44780	12	13644-12470	4
13641-13240	2	13641-44840	12	13644-12510	4
13641-13330	2	13641-46110	3	13644-42110	7
13641-13810	2	13641-46150	3	13644-42120	7
13641-13820	2	13641-46160	3	13644-42510	7
13641-15550	5	13641-55200	5	13644-43010	7
13641-16150	5	13641-55290	5	13644-44010	3
13641-16510	5	13641-55310	5	13644-44020	12
13641-16550	5,6	13641-55313	5	13644-44100	12
13641-16560	5,6	13641-55332	5	13644-44120	12
13641-21050	6	13641-55342	5	13644-44260	12
13641-21090	30	13641-55350	5	13644-44500	12
13641-21100	30	13641-55360	5	13644-56110	8
13641-21110	6	13641-55363	5	13644-57010	8
13641-21310	6	13641-55450	5	13644-57040	8
13641-21330	6	13641-56140	8	13644-57150	8
13641-21910	30	13641-56143	8	13644-57240	8
13641-21920	30	13641-56230	1	13664-67010	10
13641-22010	6	13641-56320	8	13644-67030	10
13641-22110	6	13641-56350	8	13644-67050	10
13641-22140	6	13641-56390	8	13644-67060	10
13641-22190	6	13641-56410	8	13644-67720	10
13641-23110	6	13641-56860	8	13644-87112	11
13641-23620	5,6	13641-57110	8	13644-87460	7
13641-23630	5,6	13641-61010	9	13644-87510	11
13641-23650	5,6	13641-61090	9	13645-43121	7
13641-23670	5,6	13641-61510	9	13645-43610	7
13641-23680	5,6	13641-61520	9	13645-74570	11
13641-23690	5,6	13641-61530	9	13825-11010	3
13641-23720	5,6	13641-61540	9	13825-11310	3
13641-24110	6	13641-61560	9	13825-67011	10
13641-33080	1	13641-61570	9	13825-67050	10
13641-33140	1	13641-61620	9	13825-67060	10
13641-33150	1	13641-61630	9	13825-87110	11
13641-33170	1	13641-61640	9	14107-91410	30
13641-33750	1	13641-61650	9	34150-24560	22
13641-43010	7	13641-61670	9	54201-23270	19, 21
13641-43110	7	13641-61740	9	61011-49190	23
13641-43120	7	13641-67670	11	61011-52150	25
13641-43130	7	13641-67710	10	61025-48220	23
13641-43140	7	13641-68030	10	61025-48240	23
13641-43150	7	13641-68110	10	61036-47140	23
13641-43160	7	13641-74070	11	61041-42450	20
13641-43240	7	13641-74490	11	61041-47110	23
13641-43630	7	13641-74520	11	61041-61240	30
13641-43800	7	13641-74570	11	61042-53350	26
13641-43810	7	13641-87160	11	61042-83510	30
13641-43820	7	13641-91370	7	61111-48220	22
13641-43830	7	13641-91520	4	61132-55110	23
13641-43900	7	13641-92110	10	61161-48220	23
13641-44180	12	13641-94010	8	61161-48230	23
13641-44210	12	13641-95230	6	62061-13100	15
13641-44220	12	13641-96750	7	62063-17560	18
13641-44230	12	13643-57040	8	62063-17570	18
13641-44270	12	13643-67570	11	62071-13140	15
13641-44280	12	13644-03460	1	62072-61330	28
13641-44300	12	13644-05510	2	62073-47220	23
13641-44530	12	13644-11010	3	62073-47310	23
13641-44710	12	13644-11200	3	62073-61140	28
13641-44730	12	13644-11580	3	62074-47240	30
		13644-11610	3	62081-11170	13

Code No.	Page	Code No.	Page	Code No.	Page
62081-11180	13, 26, 29	62271-11117	13	62271-42113	22
62081-11220	14	62271-11120	13	62271-42120	22
62081-14380	16	62271-11127	13	62271-42123	22
62081-18330	19	62271-11128	13	62271-42130	22
62081-18370	19	62271-11130	13	62271-42140	22
62081-41120	21	62271-11140	13	62271-42210	22
62081-41130	21	62271-11170	13	62271-42220	22
62081-41310	21	62271-11180	13	62271-48110	21
62081-41320	21	62271-11184	13	62271-48120	23
62081-41330	21	62271-11190	13	62271-48130	23
62081-41340	21	62271-11194	13	62271-48140	23
62081-41350	21	62271-11210	13	62271-48160	23
62081-41360	21	62271-11220	13	62271-48170	23
62081-42100	22	62271-11230	14	62271-51100	24
62081-42110	22	62271-13010	15	62271-51310	24
62081-42120	22	62271-13100	15	62271-52100	24
62081-42130	22	62271-13110	15	62271-52200	24
62081-42140	22	62271-13200	15	62271-52400	25
62081-42150	22	62271-13210	15	62271-52500	25
62081-42160	22	62271-13310	15	62271-54100	26
62081-42170	22	62271-14110	16	62271-54210	26
62081-42180	22	62271-14120	16	62271-54300	26
62081-42210	22	62271-14130	16	62271-54310	26
62082-17110	18	62271-14140	16, 17	62271-54314	26
62082-17250	18	62271-14210	16	62271-54350	26
62082-41410	21	62271-14212	16	62271-54380	26
62082-41710	21	62271-14220	16	62271-54400	26
62082-41800	21	62271-14230	16	62271-54450	26
62082-47160	23	62271-14240	16	62271-54453	26
62082-54120	26	62271-14300	16	62271-54480	27
62089-99100	30	62271-14330	16	62271-54510	27
62089-99110	30	62271-14340	17	62271-54700	27
62089-99120	30	62271-14410	17	62271-54810	27
62091-54330	27	62271-14420	17	62271-54820	27
62101-42290	22	62271-14430	16	62271-61100	25
62101-42290	22	62271-17100	18	62271-61110	25
62131-17290	18	62271-17190	18	62271-62210	28
62131-17320	18	62271-17200	18	62271-62220	28
62131-17363	18	62271-17300	18	62271-62230	28
62131-18530	19	62271-18210	19	62271-62270	28
62151-13150	15	62271-18220	19	62271-62280	28
62151-13160	15	62271-18230	19	62271-62300	28
62151-13170	15	62271-18240	19	62271-62350	28
62151-42412	20	62271-18250	19	62271-62400	29
62151-52150	24	62271-18260	19	62271-62440	29
62151-54510	26	62271-18310	19	62271-63100	30
62151-54540	26	62271-18320	19	62271-63210	30
62151-81220	28	62271-18330	19	62271-63220	30
62163-47240	30	62271-18340	19	62272-48111	21
62171-47140	23	62271-18370	19	62272-48131	23
62171-47190	23	62271-18810	20	62272-48150	23
62182-13250	28	62271-18820	20	62272-48160	23
62182-13260	28	62271-41110	21	62272-48171	23
62182-14340	17	62271-41200	21	62275-41300	21
62182-53170	28	62271-41300	21	62275-55100	23
62231-18530	19	62271-41420	21	62275-55120	23
62252-13270	28	62271-41500	21	62275-63210	30
62252-14190	16, 17	62271-41600	21	62281-42130	22
62252-53180	28	62271-42100	22	62481-48130	23
62271-11020	30	62271-42110	22	63512-17230	18
62271-11110	13			63611-52350	24
62271-11114	13			63633-41310	21

Code No.	Page	Code No.	Page	Code No.	Page
63733-61610	30				
63763-41370	22				
63763-52130	25				
63763-52570	26				
66591-42111	19, 21				
92316-00230	25				



13621-159

13641-85, 88, 90, 94, 102, 106, 108~109, 118,
146, 149, 157, 163, 164, 183, 192, 196,
228, 234, 235, 238, 244, 245, 250, 251,
268, 272~275, 280~282, 286, 288, 300,
303, 304, 306, 312, 317, 318, 247, 351,
352, 363, 374, 380, 387, 396, 398, 411

62088-67~69

62271-45~48, 50, 62, 66~71, 77~82, 95-114, 118

62281-31



GEANT DES NÉCESSITÉS FONDAMENTALES
THE BASIC NECESSITIES GIANT

Depuis 1890, KUBOTA s'engage à dessiner et à manufacturer les meilleurs machines agricoles et industrielles. Les tracteurs KUBOTA et ses instruments contribuent à de meilleur récolte agricole et aux besoin du monde entier.

Since 1890 Kubota has been engaged in the design and manufacture of the world's finest agricultural and industrial machinery. The Kubota line of farm tractors and implements has contributed to better crop production in every countries and served the needs of the people of the world.