

**LISTE DE PIECES
ILLUSTRATED PARTS LIST**



W721 PRO-J s/n 50001~

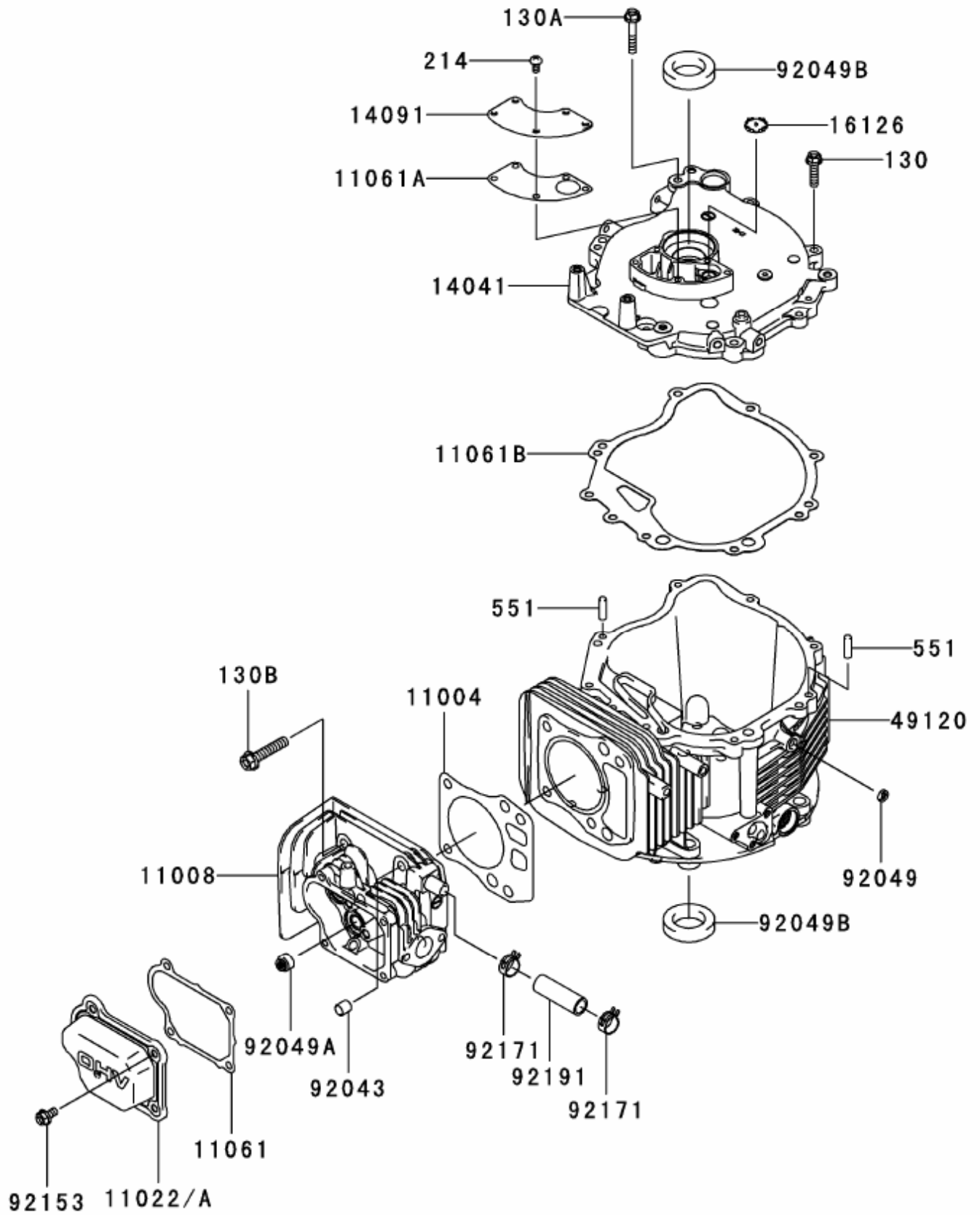
Phase 3

**TONDEUSE A GAZON
LAWN MOWER**



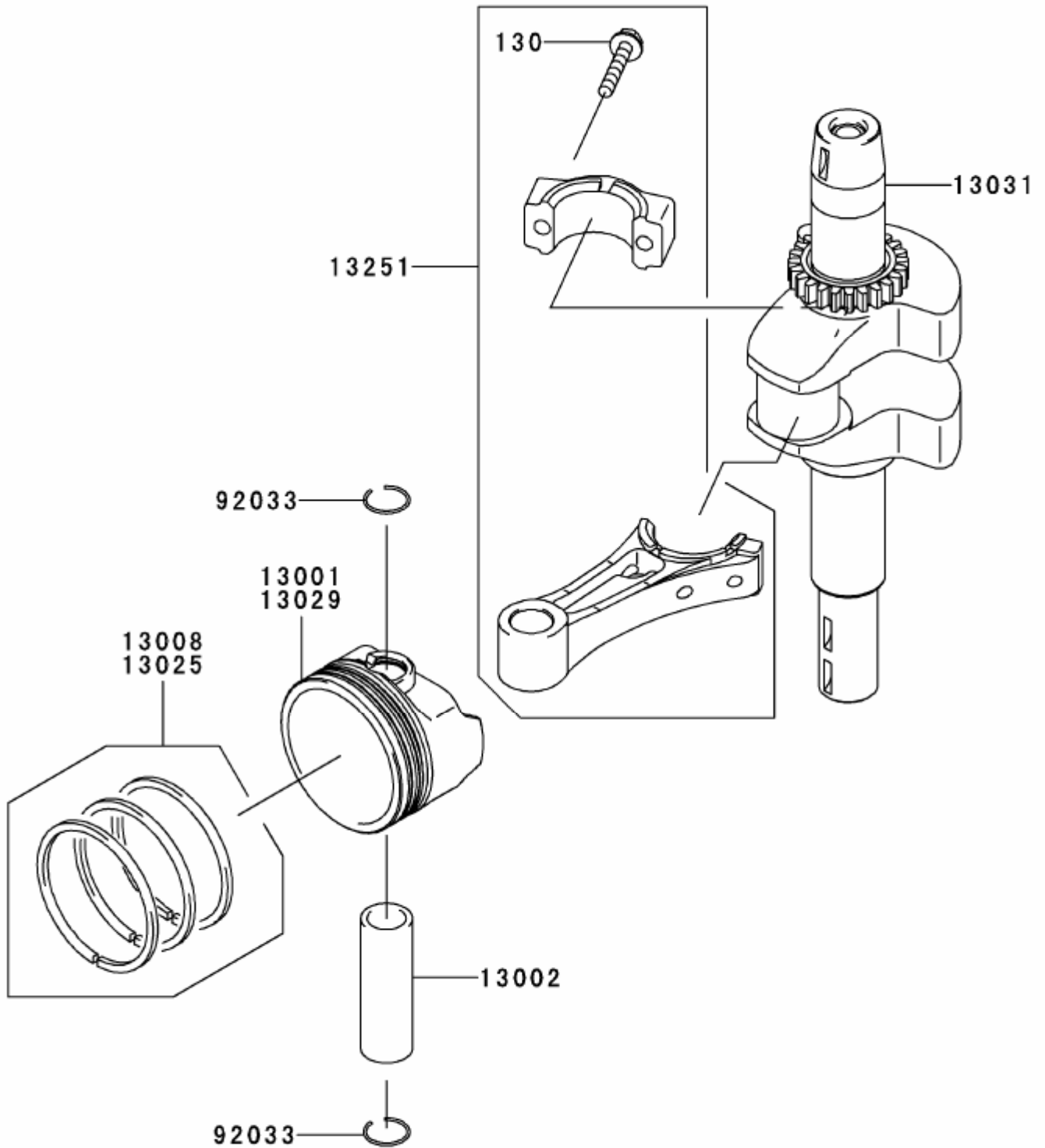
K01- CYLINDER / CRANKCASE BLOC MOTEUR / CULASSE

K01-L
ENGINE/MOTEUR



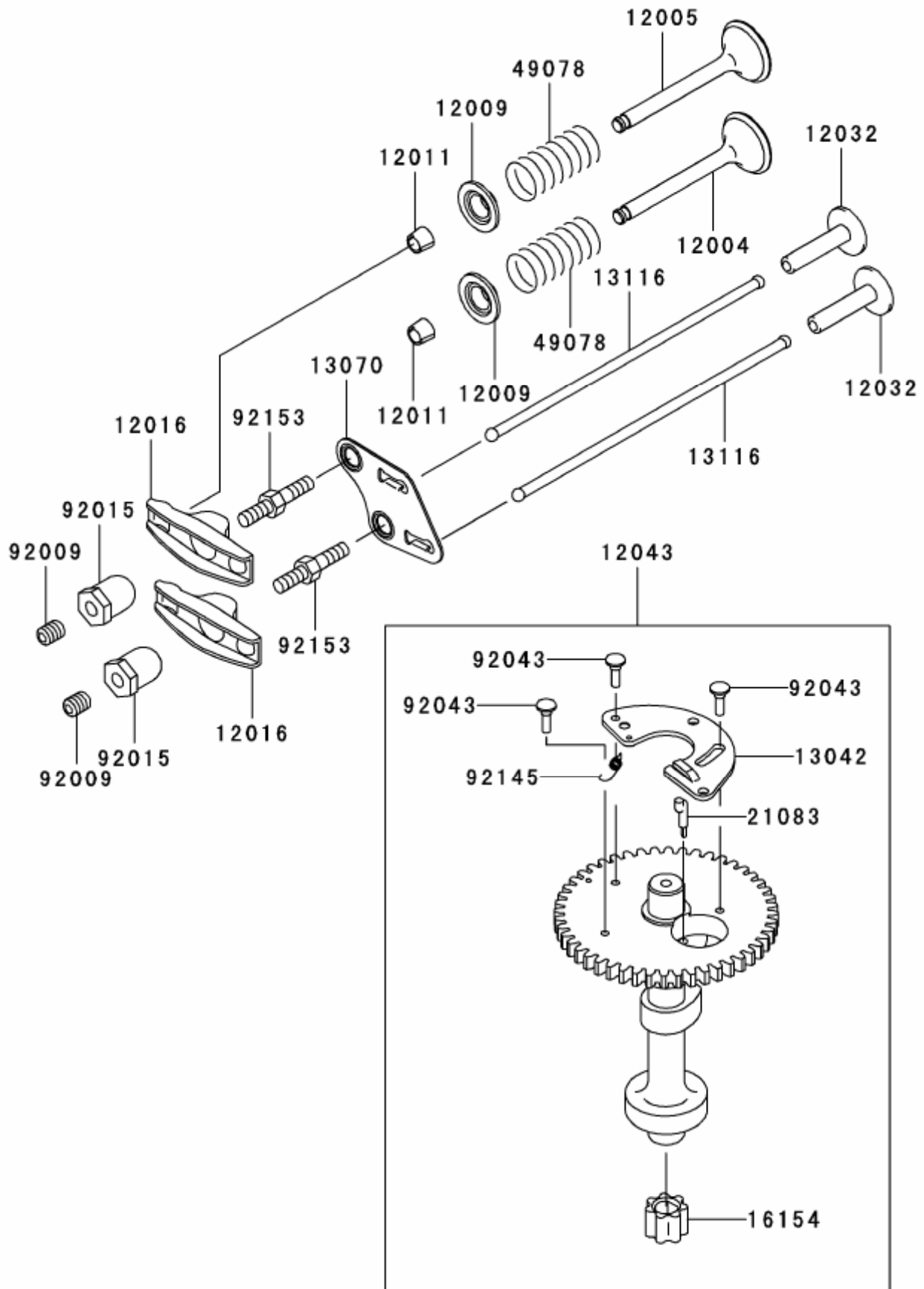
K02- PISTON / CRANKSHAFT PISTON / VILEBREQUIN

K02-L
ENGINE/MOTEUR



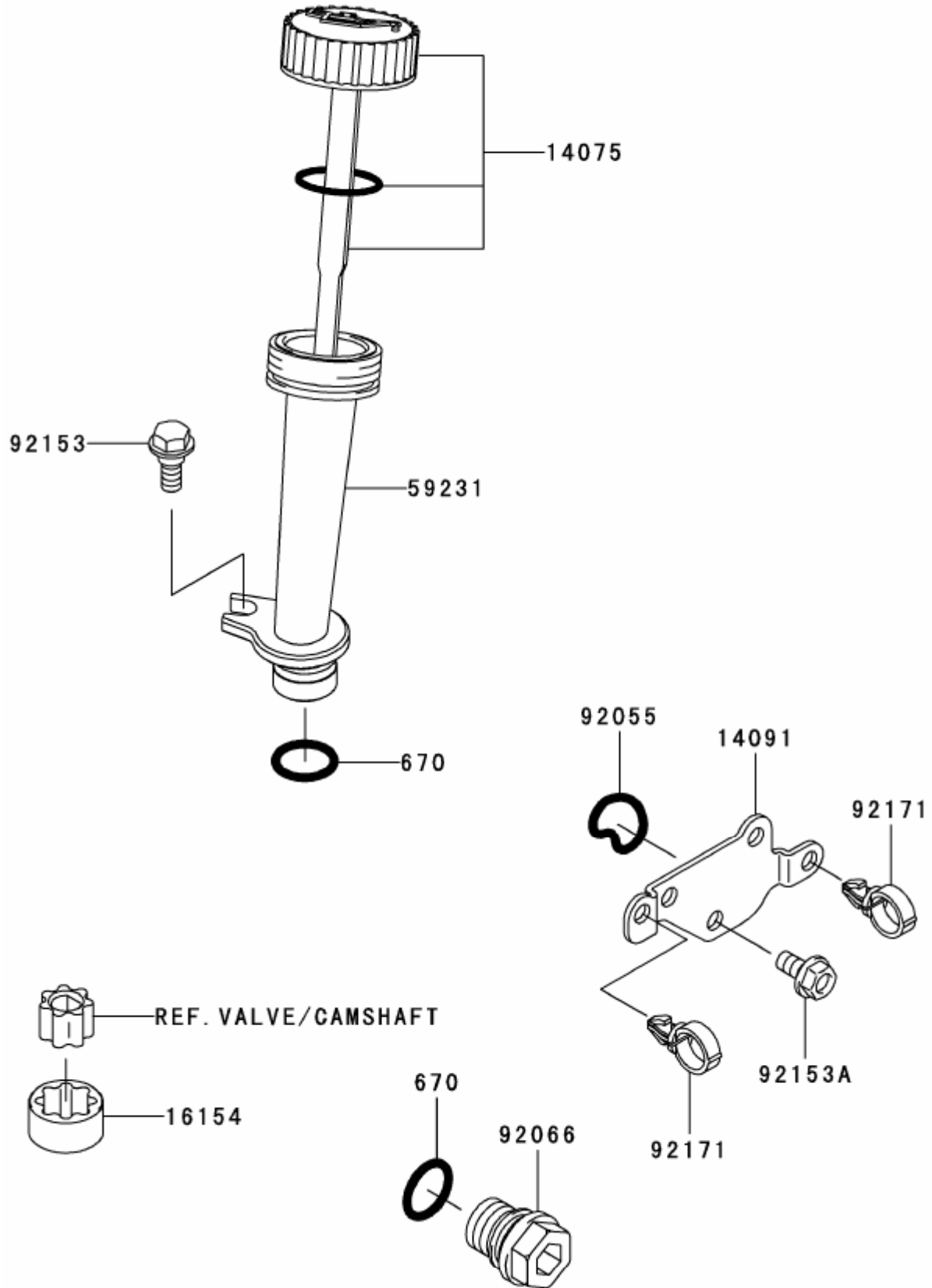
K03- VALVE / CAMSHAFT CULBUTEURS / ARBRE A CAMES

K03-L
ENGINE/MOTEUR



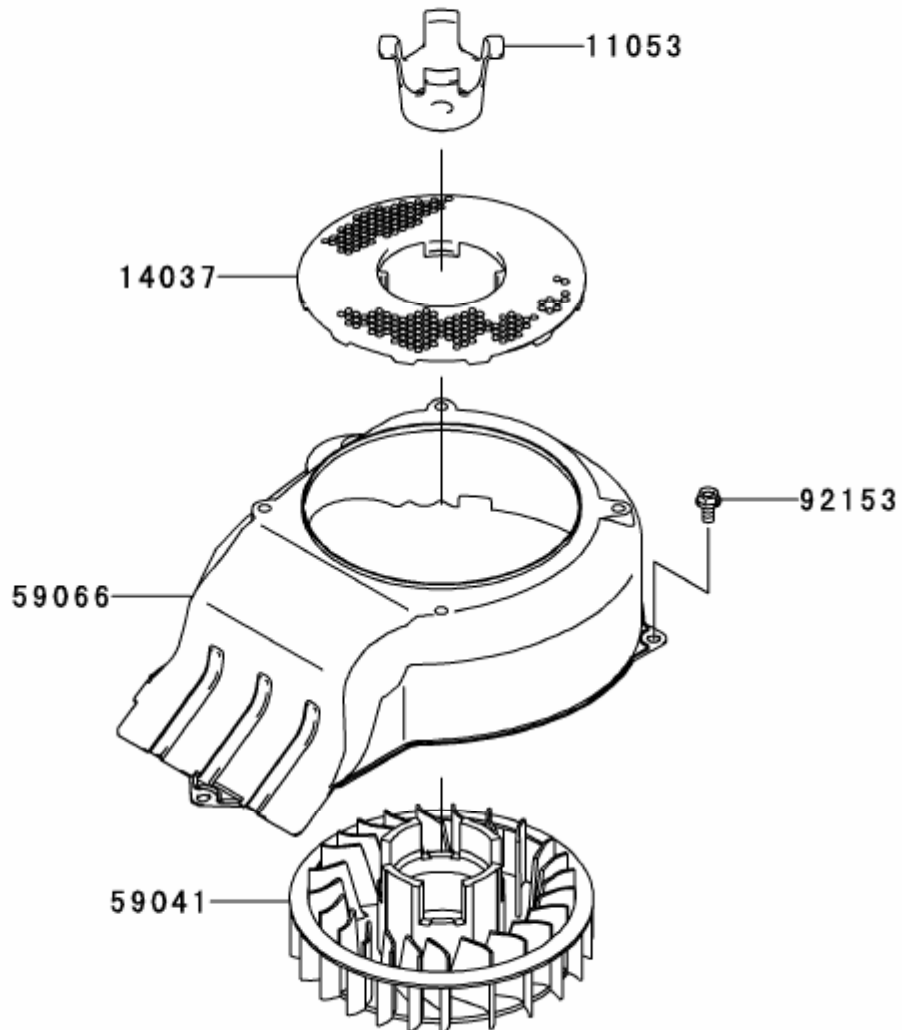
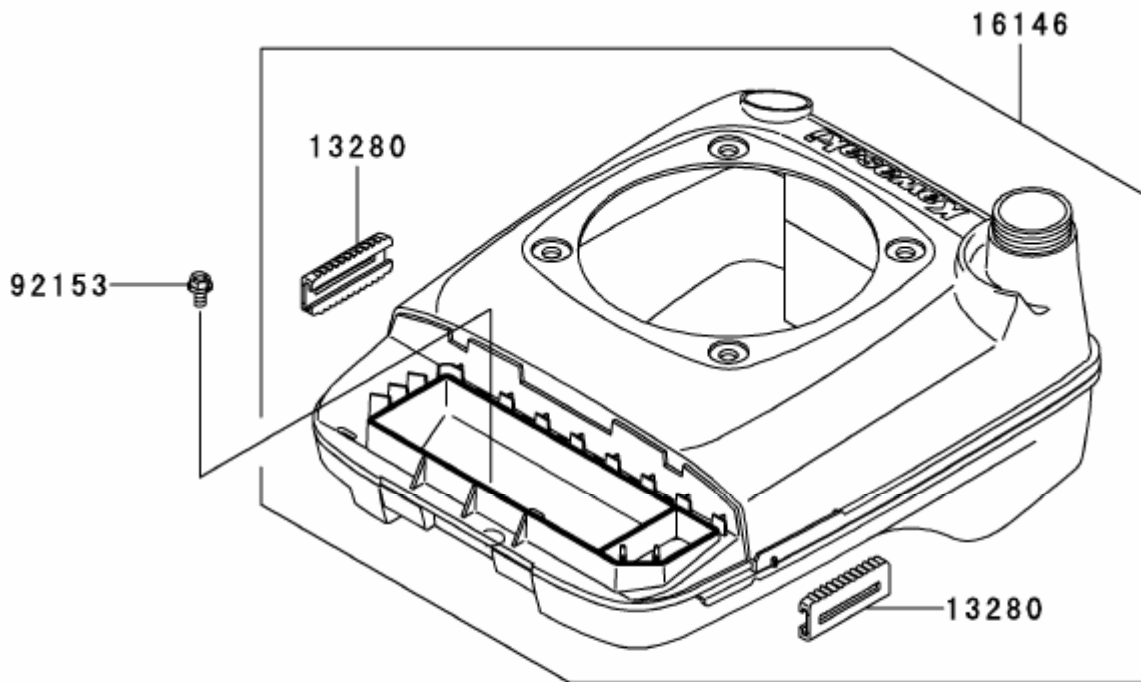
K04- OIL GAUGE JAUGE A HUILE

K04-L
ENGINE/MOTEUR



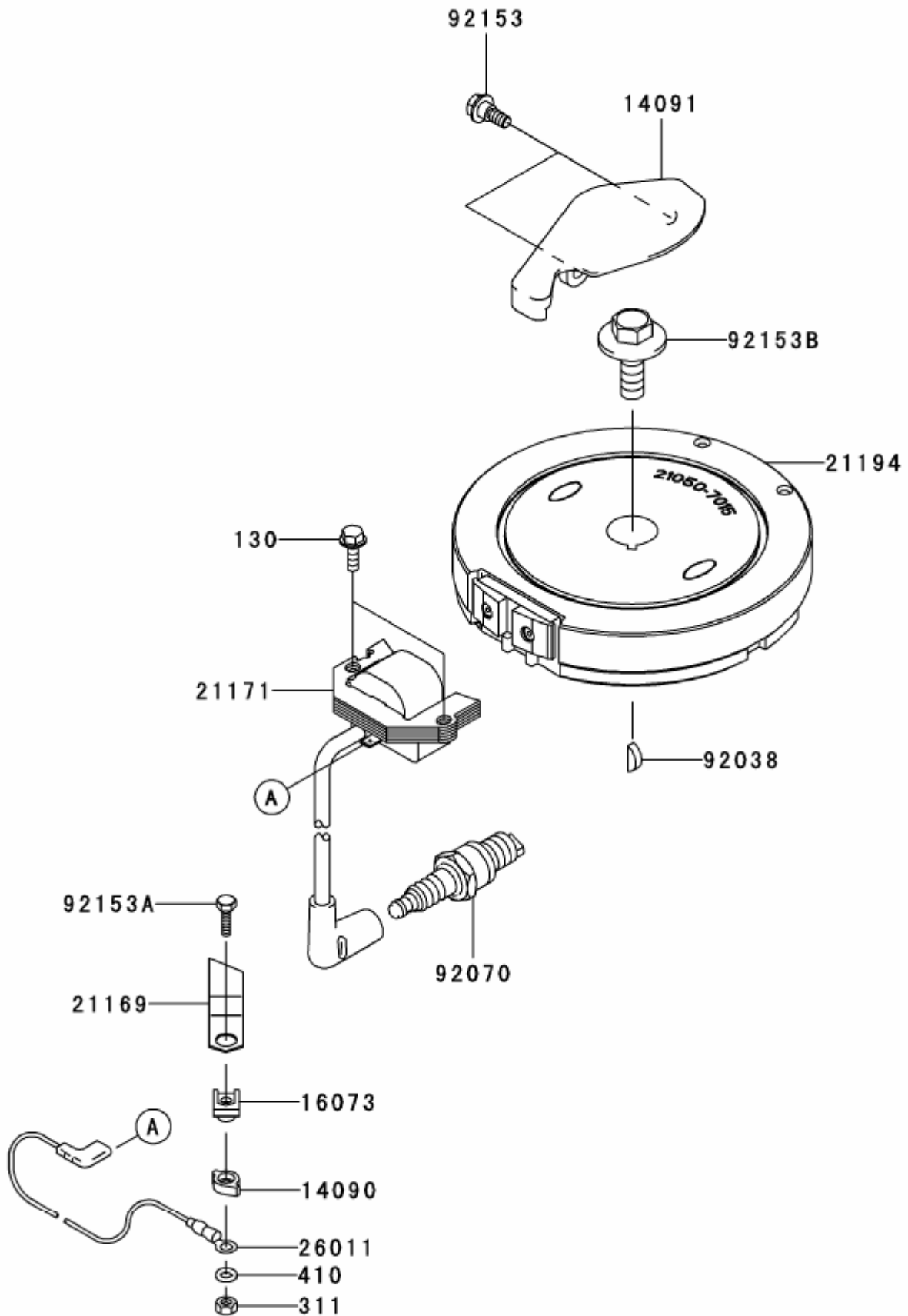
K05- COOLING EQUIPMENT REFROIDISSEMENT

K05-L
ENGINE/MOTEUR



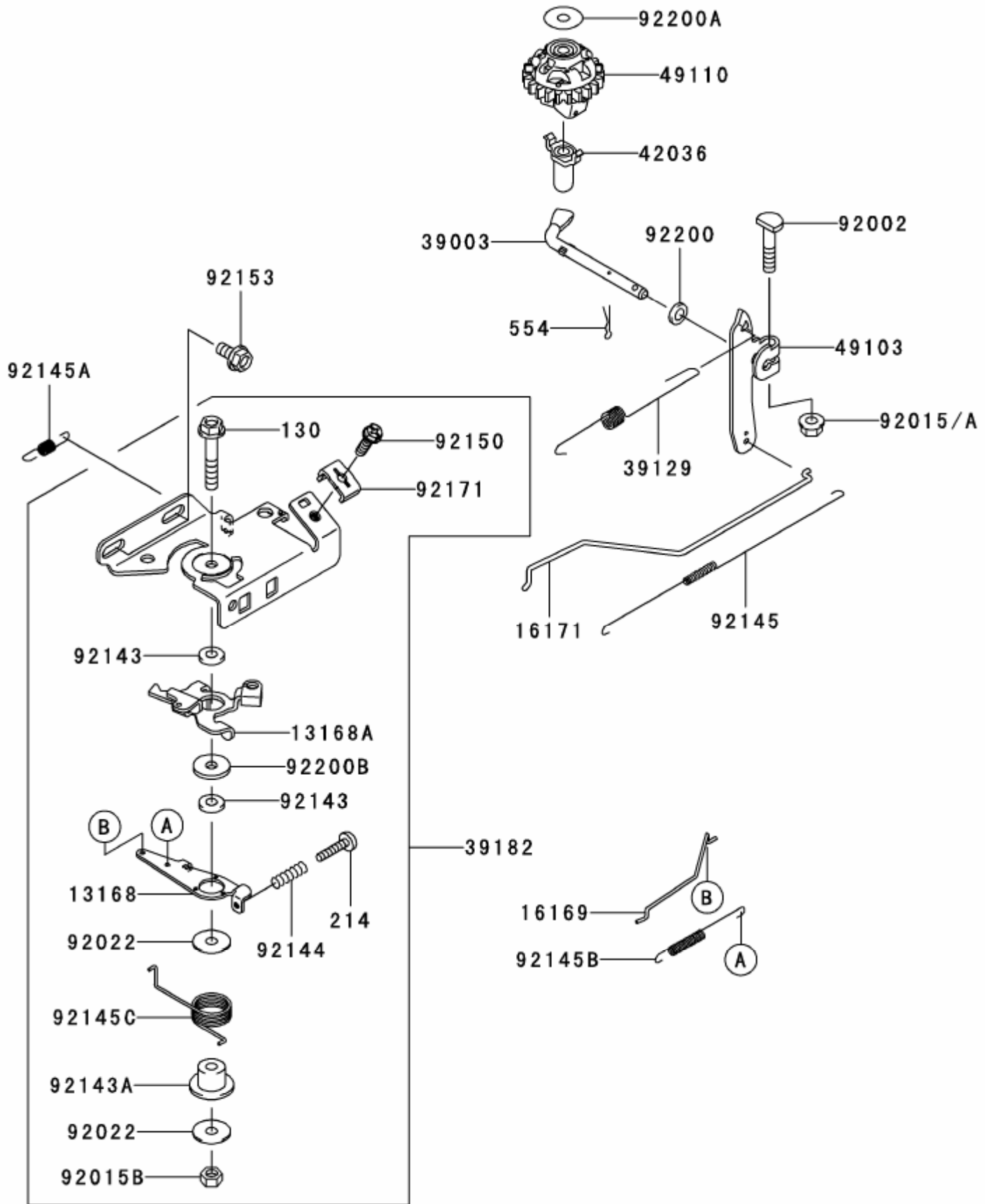
K06- ELECTRIC EQUIPMENT ALLUMAGE

K06-L
ENGINE/MOTEUR



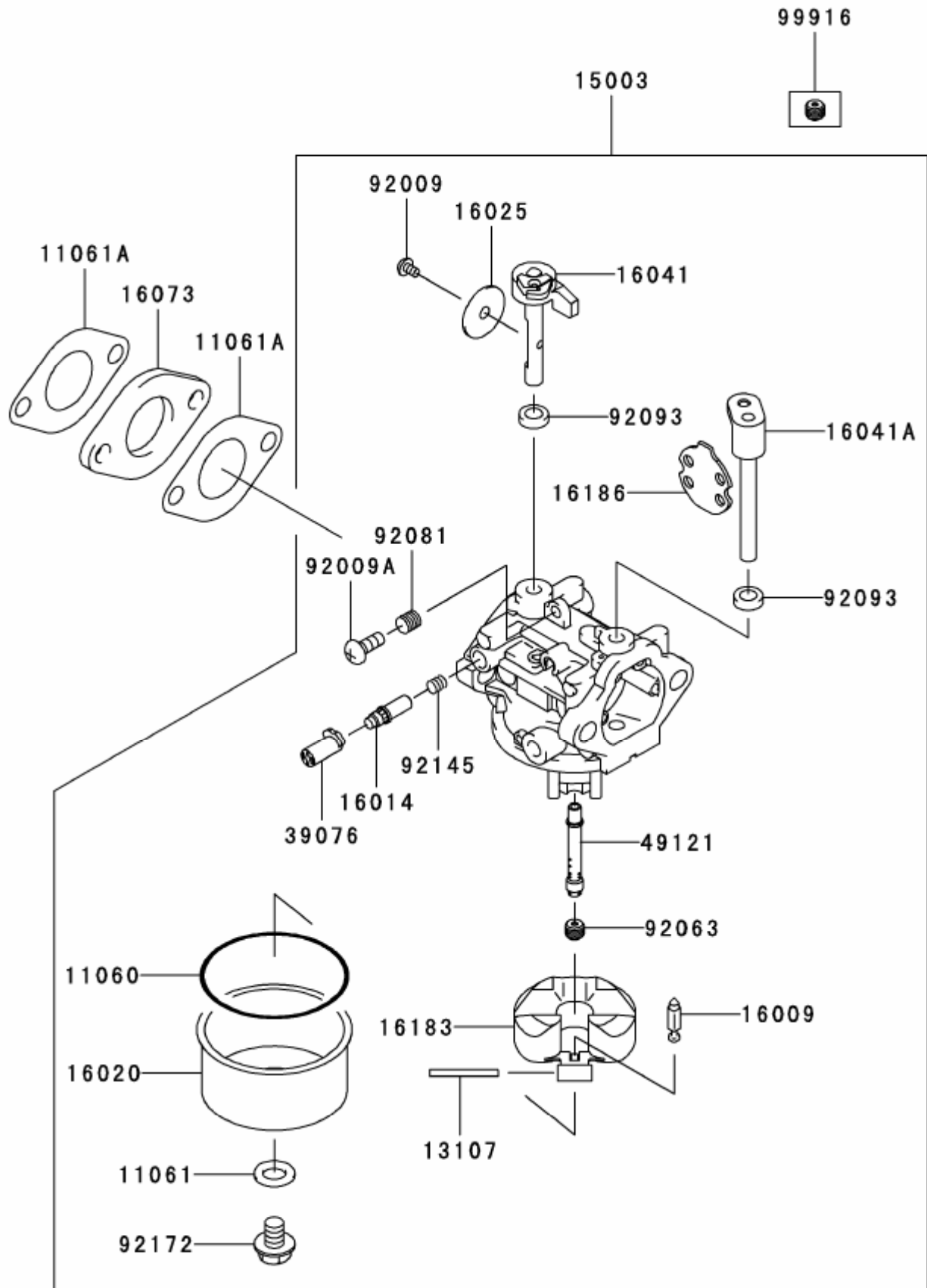
K07- CONTROL EQUIPMENT REGULATEUR DE REGIME

K07-L
ENGINE/MOTEUR



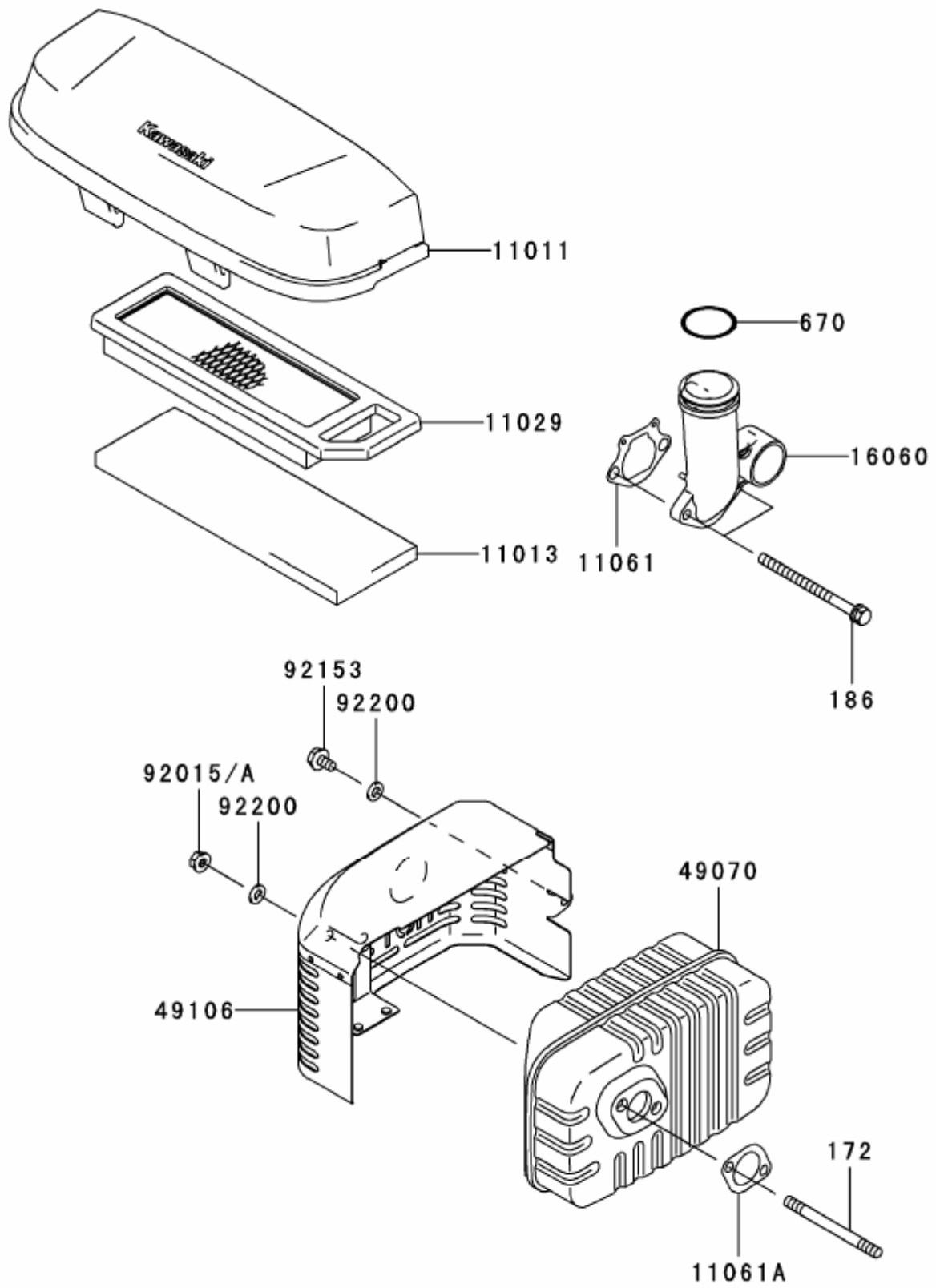
K08- CARBURETOR CARBURATEUR

K08-L
ENGINE/MOTEUR



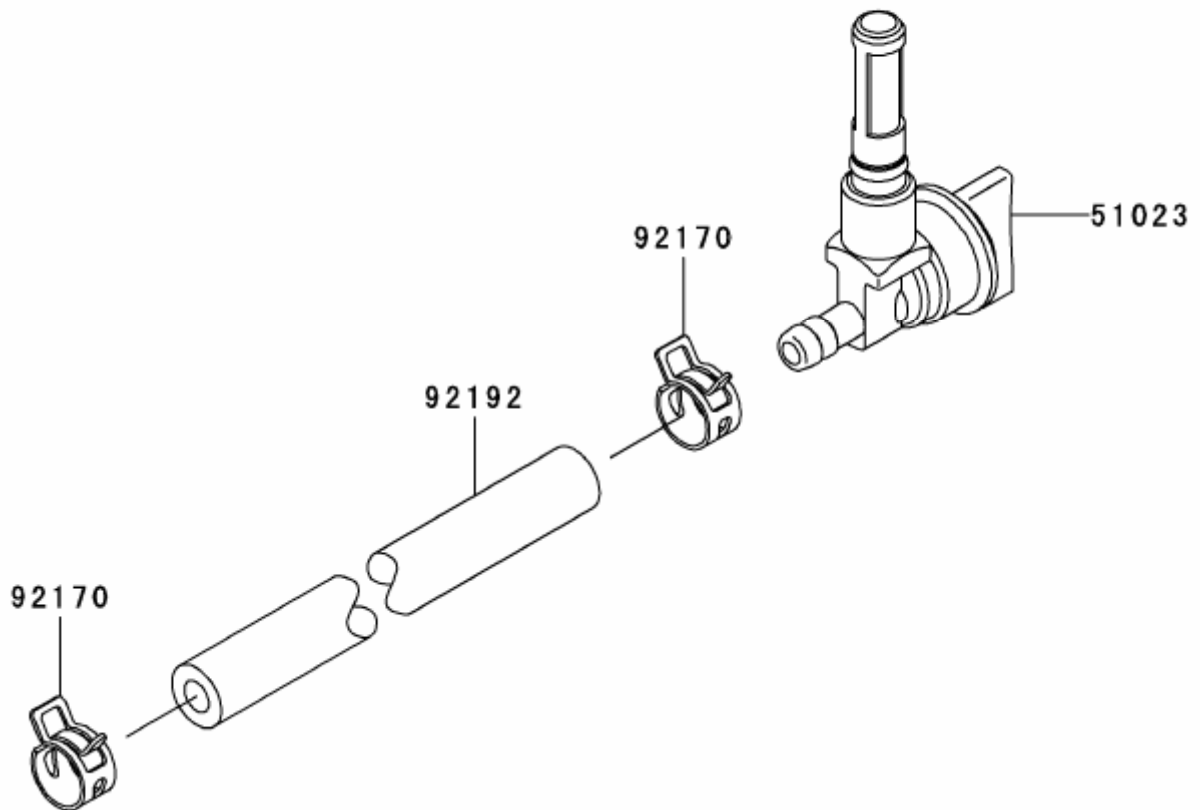
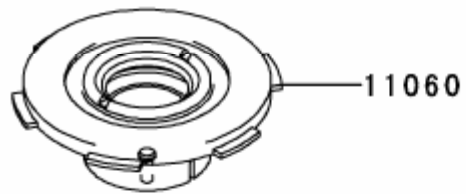
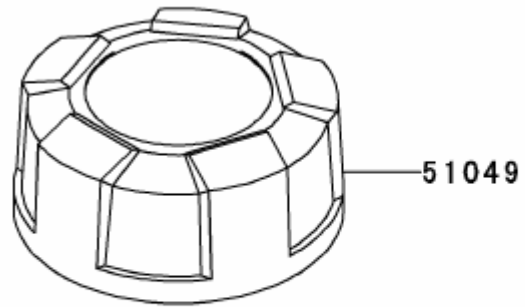
K09- AIR FILTER / MUFFLER FILTRE A AIR / SILENCIEUX

K09-L
ENGINE/MOTEUR



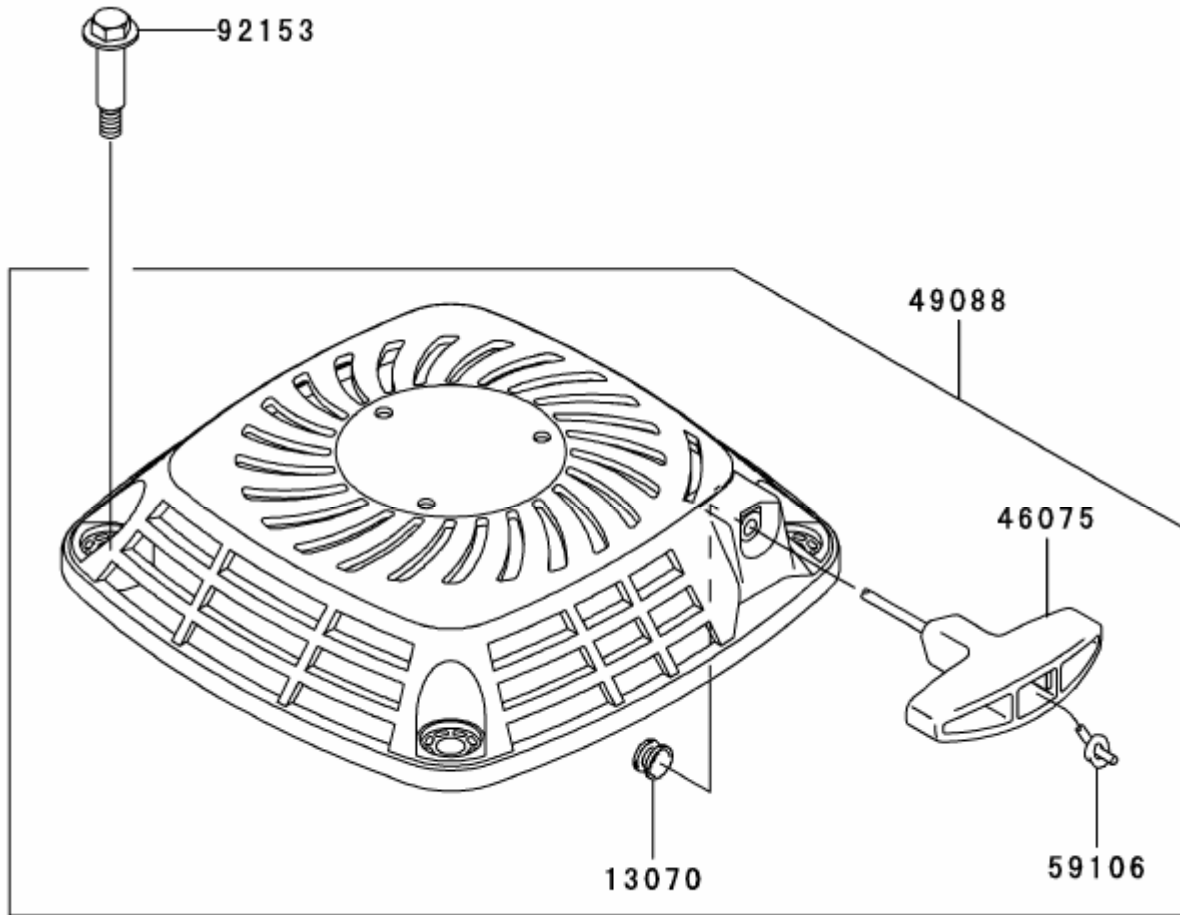
K10- FUEL TANK VALVE ROBINET BOUCHON CARBURANT

K10-L
ENGINE/MOTEUR



K11- STARTER LANCEUR

K11-L
ENGINE/MOTEUR



K12- LABELS ETIQUETTES

K12-L
ENGINE/MOTEUR

56070



56080



W721 PRO

Phase 3



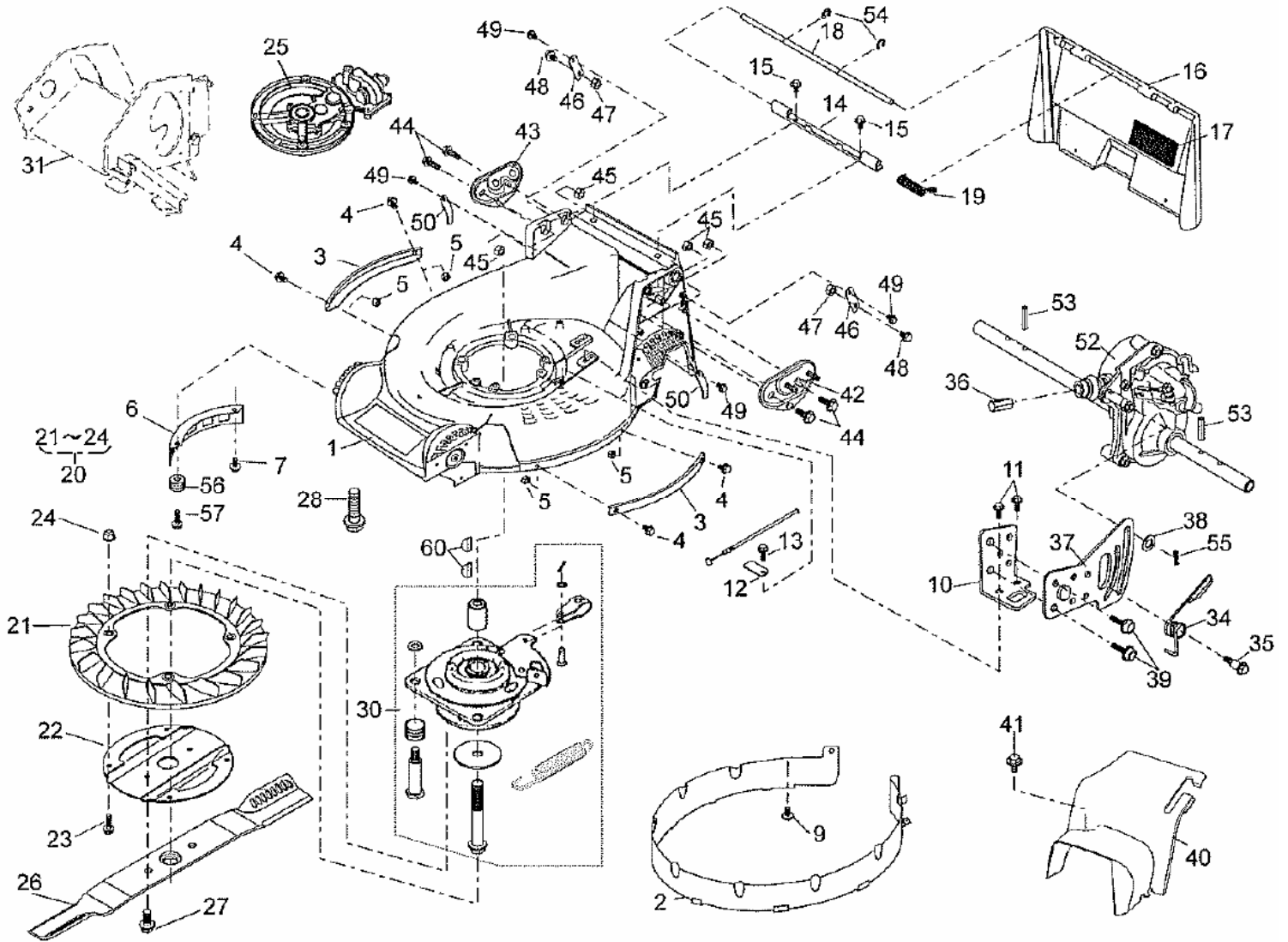
- CARTER DE LAME K20
- ROUES K21
- TRANSMISSION K22
- TRANSMISSION K23
- SAC A HERBE / GUIDON / CABLES K24
- EMBRAYAGE DE LAME K25
- COUVERCLE CARTER K26

-
- CUTTER HOUSING K20
 - WHEELS K21
 - GEAR CASE ASSY K22
 - GEAR CASE ASSY K23
 - GRASS CATCHER BAG / HANDLE / CABLES K24
 - BRAKE SET K25
 - COVER UNIT K26

K20- W721 PRO Phase 3 (50001~) CUTTER HOUSING / BLADE CARTER DE LAME / LAME

K20-L
W721 PRO

1/2



K20- W721 Phase 3 (50001~)

CUTTER HOUSING / BLADE

CARTER DE LAME / LAME

K20-R
W721 PRO

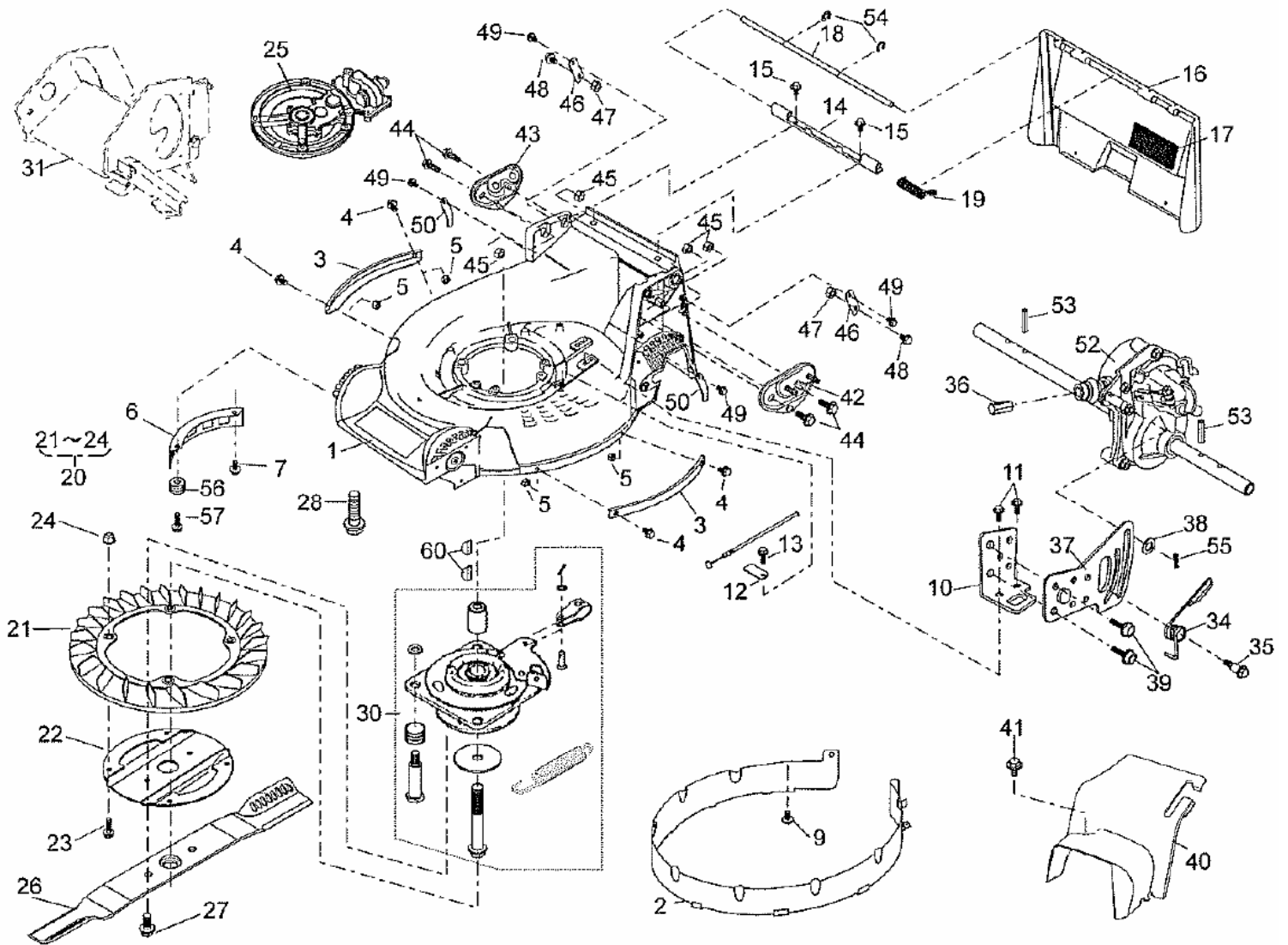
1/2

| POS N | PART NUMBER REFERENCE | PART NAME | DESCRIPTION | QTY QTE | I.C. | REMARKS REMARQUE |
|-------|--------------------------|------------------------------|-----------------------|------------|------|---------------------|
| 1 | W21TS01011 | CARTER DE TONDEUSE | HOUSING | 1 | | |
| 2 | w21TS01002 | PROTECTION | GUARD | 1 | | |
| 3 | W21TS00082 | PROTECTION | PROTECTOR | 2 | | |
| 4 | W21TS00058 | VIS DE FIXATION | FLANGE BOLT | 4 | | |
| 5 | W21TS00086 | ECROU DE FIXATION | HEXAGON NUT | 4 | | |
| 6 | W21TS00067 | COUVERCLE | COVER | 1 | | |
| 7 | W21TS00062 | BOULON | FLANGE TAPPING BOLT | 1 | | |
| 8 | - | | | | | |
| 9 | W21TS00061 | VIS | FLANGE TAPPING BOLT | 1 | | |
| 10 | W21TS07100 | SUPPORT | STAY C.P. | 1 | | |
| 11 | W21TS00061 | VIS | FLANGE TAPPING BOLT | 2 | | |
| 12 | W21TS00030 | SUPPORT | STAY | 1 | | |
| 13 | W21TS00061 | VIS | FLANGE TAPPING BOLT | 1 | | |
| 14 | W21TS00029 | SUPPORT | STAY | 1 | | |
| 15 | W21TS00061 | VIS | FLANGE TAPPING BOLT | 2 | | |
| 16 | W21TS00070 | PROTECTION | GUARD | 1 | | |
| 17 | W21TS00072 | PROTECTION | RUBBER SHEET | 1 | | |
| 18 | W21TS01020 | ARBRE | SHAFT | 1 | | |
| 19 | W21TS07125 | RESSORT | SPRING | 1 | | |
| 20 | W21TS00139 | VENTILATEUR COMPLET | FAN ASSY | 1 | | |
| 21 | W21TS00819 | VENTILATEUR | FAN ASSY | 1 | | |
| 22 | W21TS00021 | PORTE LAME | HOLDER | 1 | | |
| 23 | W21TS00052 | VIS DE FIXATION | PRE-COAT LOCK BOLT | 4 | | |
| 24 | W21TS00092 | ECROU | FLANGE TAPPING BOLT | 4 | | |
| 25 | W21TS07096 | BOITIER COMPLET | GEAR CASE ASSY | 1 | | |
| 26 | W21TS00988 | LAME SOUFFLANTE | BLADE | 1 | | |
| 27 | W21TS00060 | VIS DE LAME | FLANGE BOLT | 2 | | |
| 28 | W21TS07106 | VIS DE LAME | FLANGE BOLT | 4 | | |
| 29 | - | | | | | |
| 30 | W21TS07129 | EMBAYAGE COMPLET | BRAKE SET (BBC) | 1 | | |
| 31 | - | COVER UNIT (ref P/L housing) | | | | |
| 32 | - | | | | | |
| 33 | - | | | | | |
| 34 | W21TS07126 | RESSORT | SPRING | 1 | | |
| 35 | W21TS01000 | VIS HEXAGONALE | HEXAGON BOLT | 1 | | |
| 36 | W21TS07122 | ARBRE | SHAFT | 1 | | |
| 37 | W21TS07143 | SUPPORT | CONNECTOR | 1 | | |
| 38 | W21TS00133 | RONDELLE | WASHER (510,5x18x1,6) | 1 | | |
| 39 | W21TS07108 | VIS BOULONNEE | SOCKET SCREW FLANGE | 2 | | |
| 40 | W21TS07107 | COUVERCLE | COVER | 1 | | |
| 41 | W21TS07105 | BOULON | FLANGE BOLT | 1 | | |
| 42 | W21TS00207 | SUPPORT ARR.GAUCHE | HANDLE BRACKET (L) | 1 | | |
| 43 | W21TS00208 | SUPPORT ARR.DROIT | HANDLE BRACKET (R) | 1 | | |
| 44 | W21TS00045 | ECROU | HEXAGON BOLT | 4 | | |
| 45 | W21TS00087 | BOULON | HEXAGON NUT | 4 | | |
| | | | | | | |
| | | | | | | |

K20- W721 PRO Phase 3 (50001~) CUTTER HOUSING / BLADE CARTER DE LAME / LAME

K20-L
W721 PRO

2/2



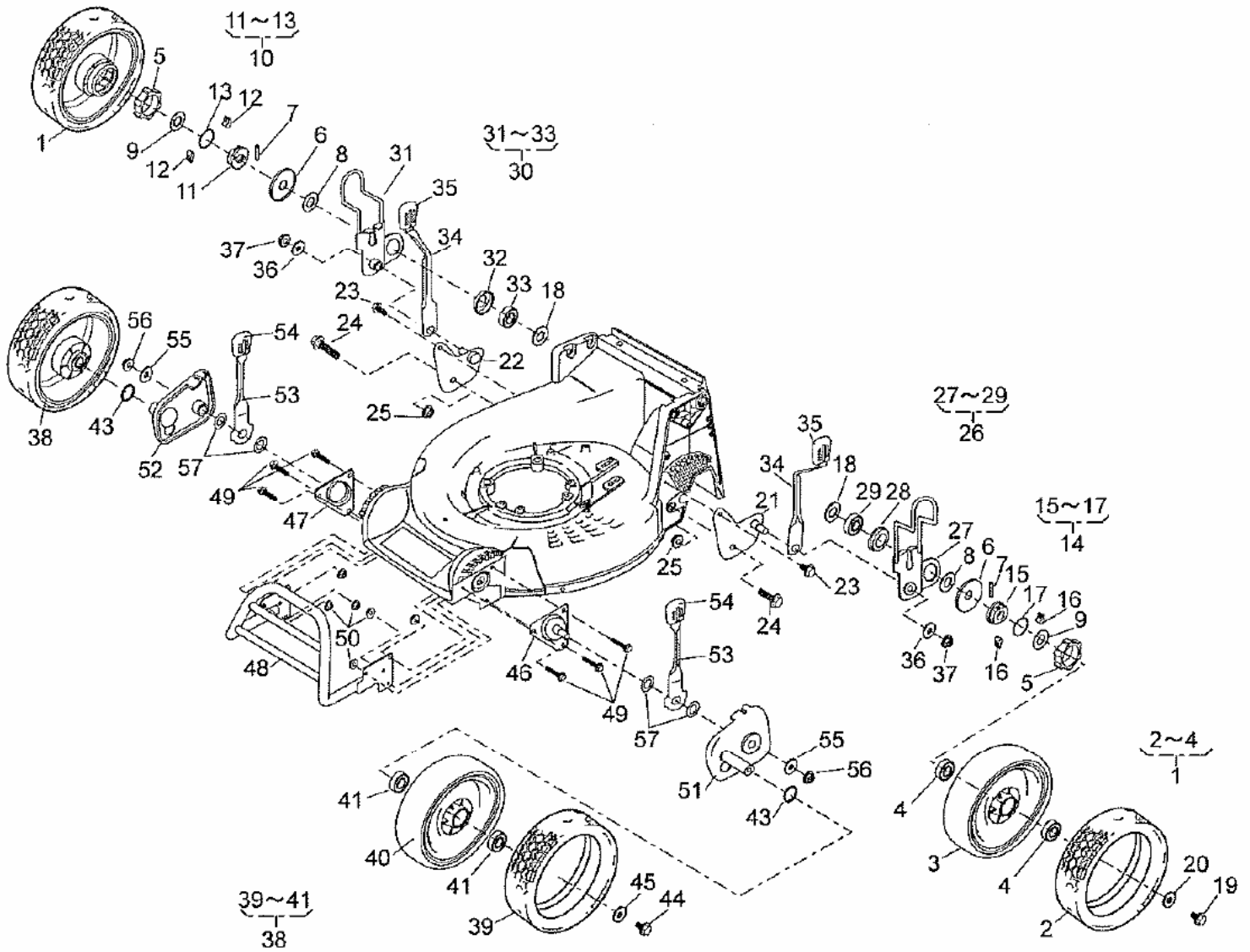
K21- W721 PRO Phase 3 (50001~)

WHEELS

ROUES

K21-L
W721 PRO

1/2



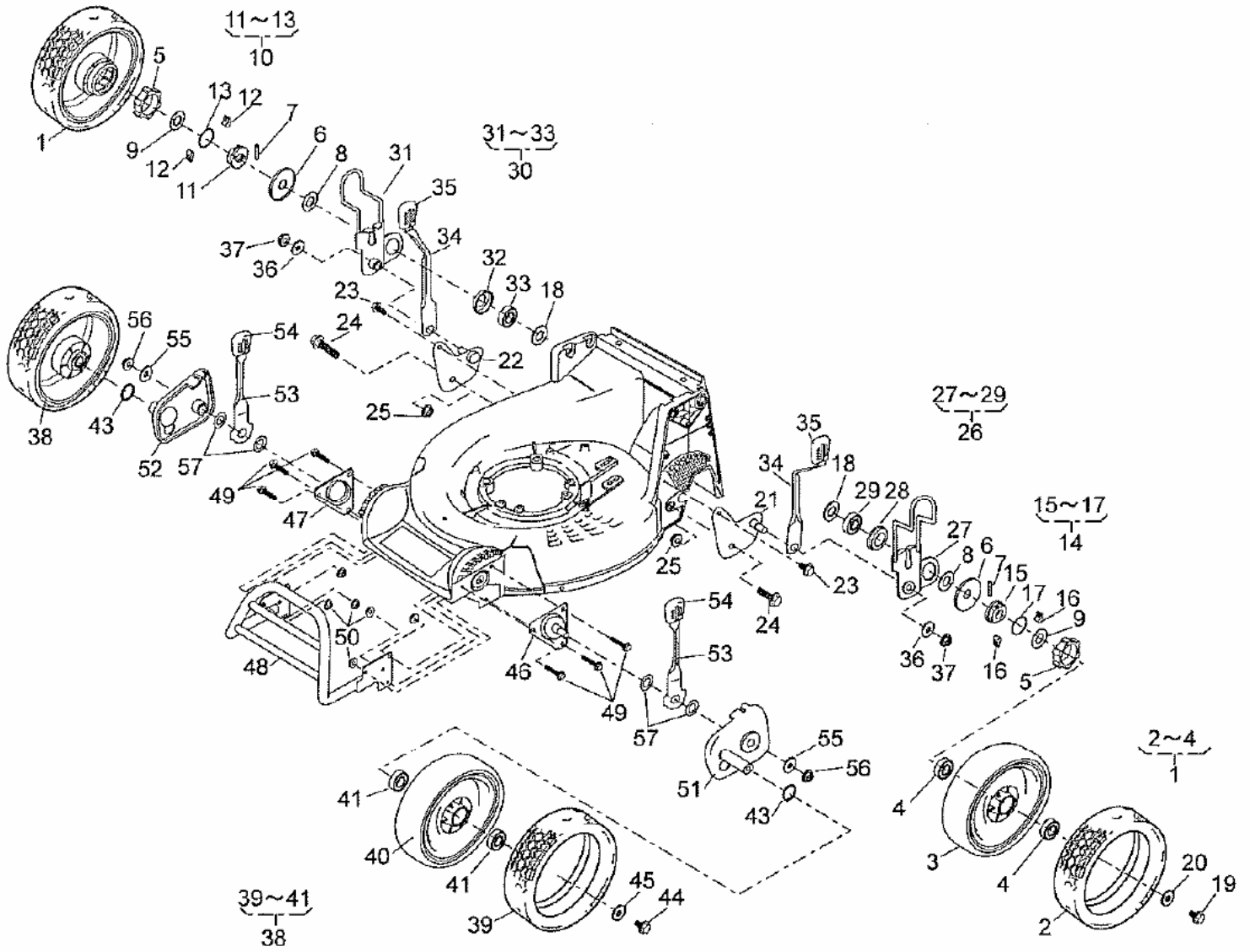
K21- W721 PRO Phase 3 (50001~)

WHEELS

ROUES

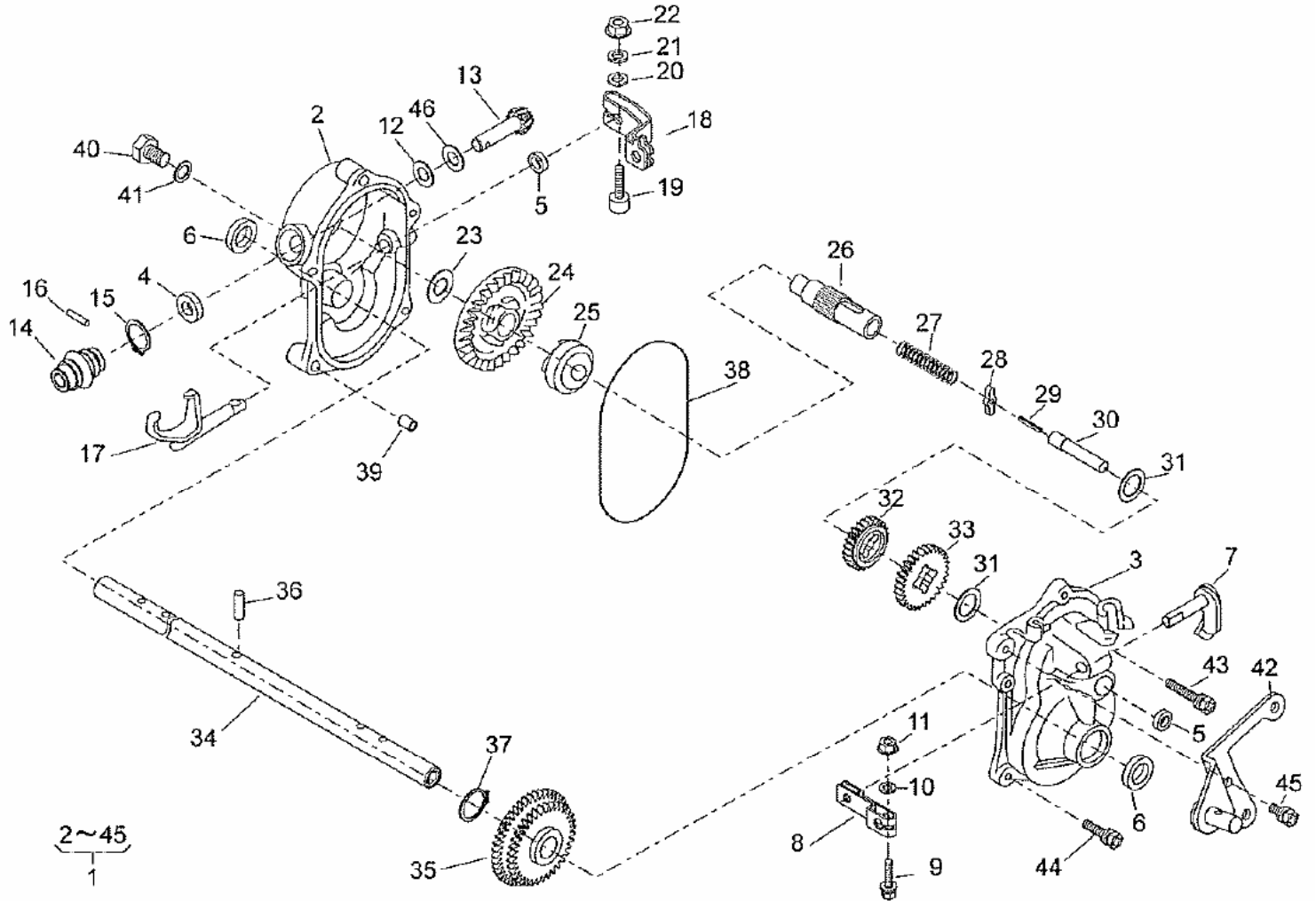
K21-L
W721 PRO

2/2



K22- W721 PRO Phase 3 (50001~) TRANSMISSION TRANSMISSION

K22-L
W721 PRO



K22- W721 PRO Phase 3 (50001~)

TRANSMISSION

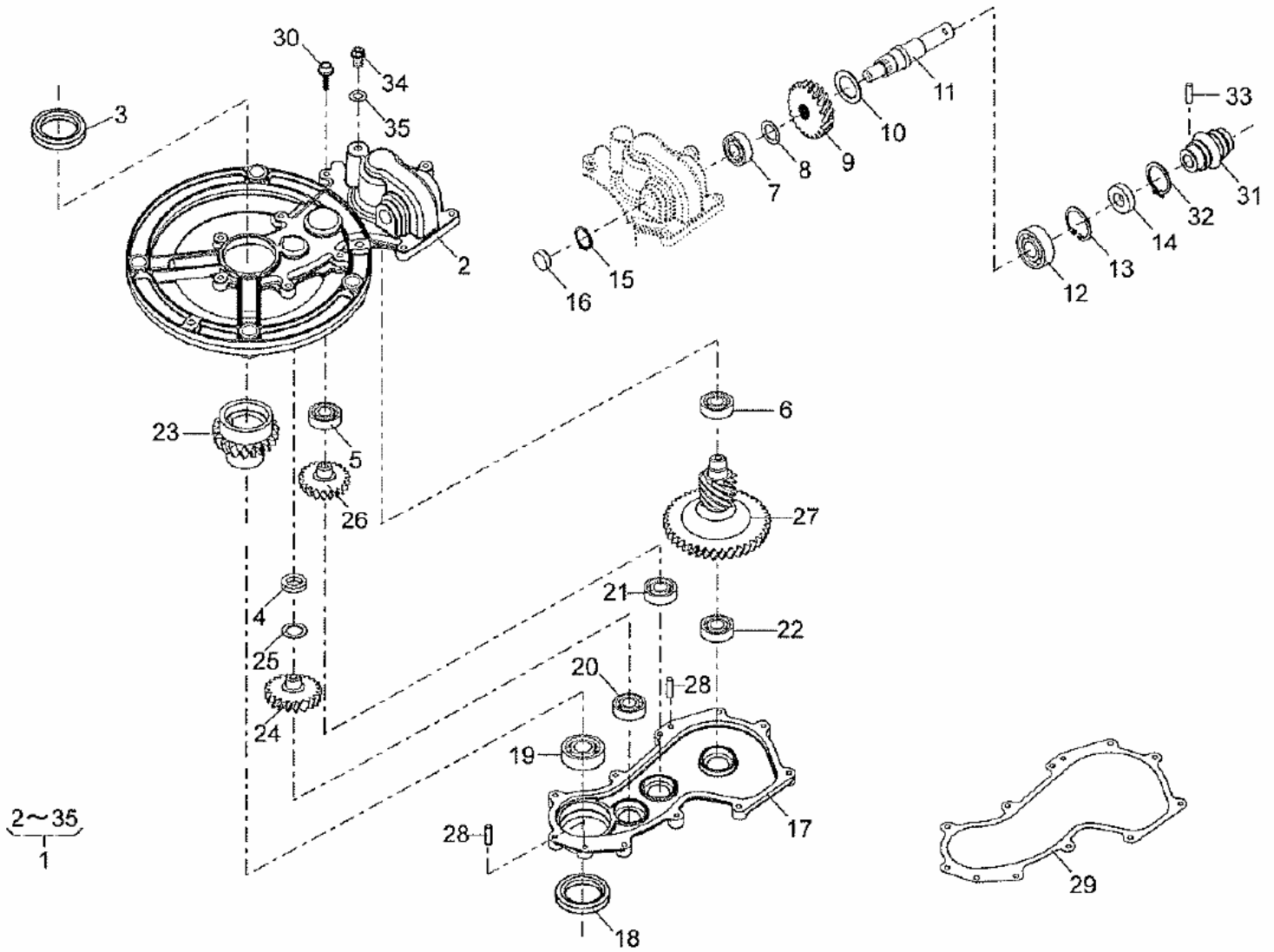
TRANSMISSION

K22-R
W721 PRO

| POS N | PART NUMBER REFERENCE | PART NAME | DESCRIPTION | QTY QTE | I.C. | REMARKS REMARQUE |
|-------|-----------------------|---------------------|-------------------------|---------|------|------------------|
| 1 | W21TS07097 | BOITIER COMPLET | GEAR CASE ASSY | 1 | | |
| 2 | W21TS00077 | CARTER | GEAR CASE | 1 | | |
| 3 | W21TS00078 | CARTER | GEAR CASE | 1 | | |
| 4 | W21TS00093 | JOINT D'HUILE | OIL SEAL | 1 | | |
| 5 | W21TS00094 | JOINT D'HUILE | OIL SEAL | 2 | | |
| 6 | W21TS00095 | JOINT D'HUILE | OIL SEAL | 2 | | |
| 7 | W21TS00112 | FOURCHETTE DE | SHIFTER SHAFT | 1 | | |
| 8 | W21TS00022 | BRAS | ARM | 1 | | |
| 9 | W21TS00057 | BOULON 5X25 | (+)HEXAGON BOLT (W/PW) | 1 | | |
| 10 | W21TS00102 | RONDELLE PLATE | PLAIN WASHER | 1 | | |
| 11 | W21TS00089 | ECROU | FLANGE NUT | 1 | | |
| 12 | W21TS00096 | CALE | THRUST PLATE | 1 | | |
| 13 | W21TS00154 | PIGNON | PINION | 1 | | |
| 14 | W21TS00173 | CARDAN | UNIVERSAL JOINT | 1 | | |
| 15 | W21TS00160 | JONC D'ARRET | C-SNAP RING | 1 | | |
| 16 | W21TS00145 | AXE | PARALLEL PIN | 1 | | |
| 17 | W21TS00019 | FOURCHETTE DE | SHIFTER FORK | 1 | | |
| 18 | W21TS00023 | BRAS | ARM | 1 | | |
| 19 | W21TS00217 | BOULON | SOCKET SCREW | 1 | | |
| 20 | W21TS07120 | RONDELLE | PLAIN WASHER | 1 | | |
| 21 | W21TS00218 | RONDELLE RESSORT | SPRING LOCK WASHER | 1 | | |
| 22 | W21TS00086 | ECROU DE FIXATION | HEXAGON NUT | 1 | | |
| 23 | W21TS00100 | ENTRETOISE | SPACER | 1 | | |
| 24 | W21TS00153 | PIGNON | BEVEL GEAR | 1 | | |
| 25 | W21TS00031 | CRABOT | CLUTCH | 1 | | |
| 26 | W21TS00108 | ARBRE | SHAFT | 1 | | |
| 27 | W21TS00119 | RESSORT | SPRING | 1 | | |
| 28 | W21TS07103 | AXE | PIN | 1 | | |
| 29 | W21TS00148 | AXE | SPRING PIN | 1 | | |
| 30 | W21TS00107 | AXE | SHAFT | 2 | | |
| 31 | W21TS00101 | ENTRETOISE | SPACER | 1 | | |
| 32 | W21TS00156 | PIGNON | GEAR | 1 | | |
| 33 | W21TS00155 | PIGNON | GEAR | 1 | | |
| 34 | W21TS00219 | AXE DE TRANSMISSION | SHAFT | 1 | | |
| 35 | W21TS00157 | PIGNON DOUBLE | GEAR C.P. | 1 | | |
| 36 | W21TS00040 | AXE | PIN | 1 | | |
| 37 | W21TS07140 | CIRCLIP | C-SNAP RING | 1 | | |
| 38 | W21TS00038 | JOINT TORIQUE | O-RING | 1 | | |
| 39 | W21TS00015 | COLLIER | COLLAR | 2 | | |
| 40 | W21TS00048 | BOULON | HEXAGON BOLT | 1 | | |
| 41 | W21TS00116 | RONDELLE | FIBER WASHER | 1 | | |
| 42 | W21TS00220 | BRAS DE COMMANDE | STAY C.P. | 1 | | |
| 43 | W21TS00054 | VIS 6 X 25 | (+)HEXAGON BOLT (SW/PW) | 3 | | |
| 44 | W21TS00055 | VIS 6 X 35 | (+)HEXAGON BOLT (SW/PW) | 2 | | |
| 45 | W21TS00252 | VIS 6X12 | (+)HEXAGON BOLT (SW) | 1 | | |
| 46 | W21TS00117 | CALE | SHIM | 2 | | |

K23- W721 PRO Phase 3 (50001~) TRANSMISSION TRANSMISSION

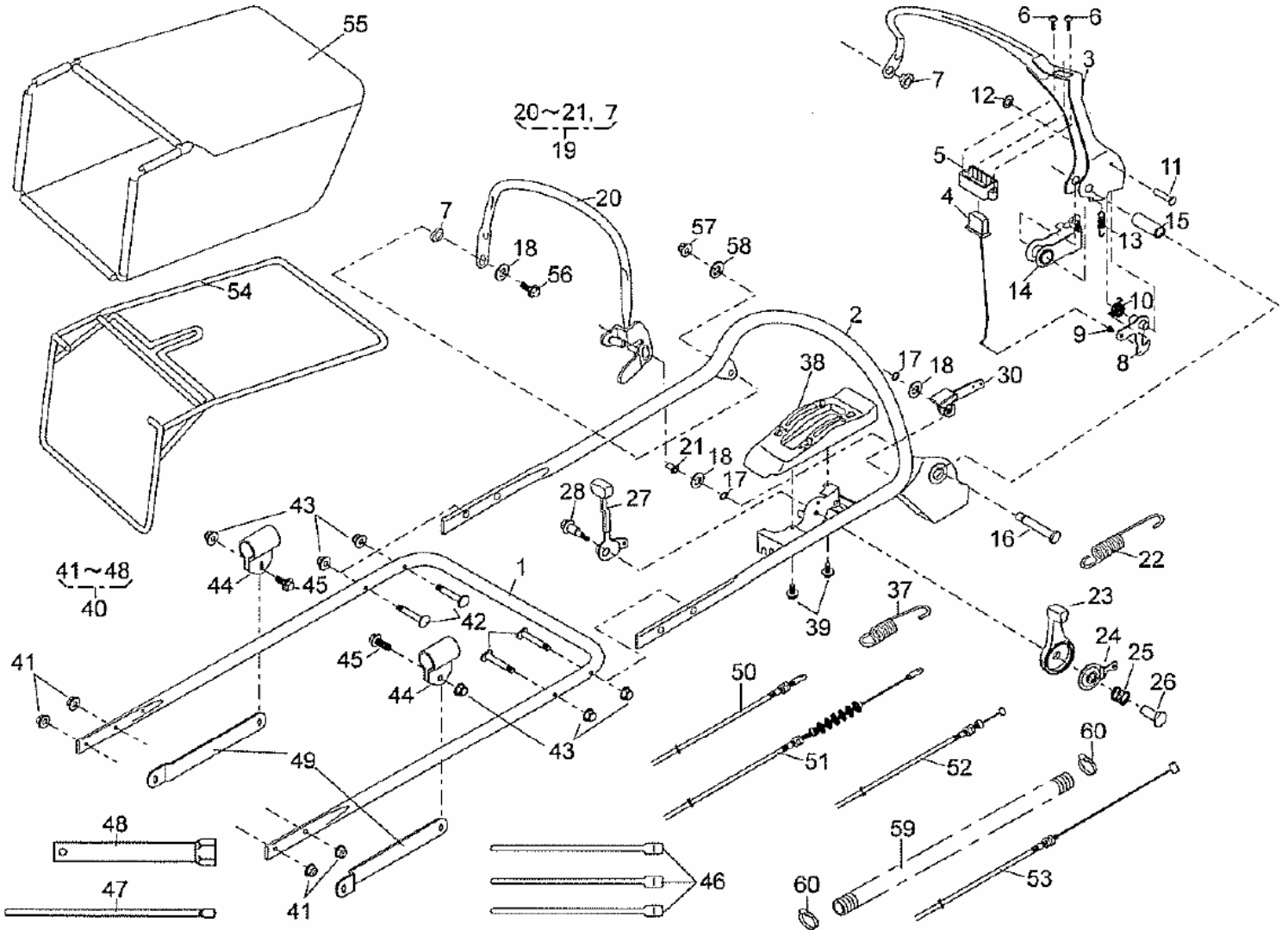
K23L
W721 PRO



K24- W721 PRO Phase 3 (50001~) GRASS CATCHER/HANDLE/CABLE SAC A HERBE/GUIDON/CABLES

K24-L
W721 PRO

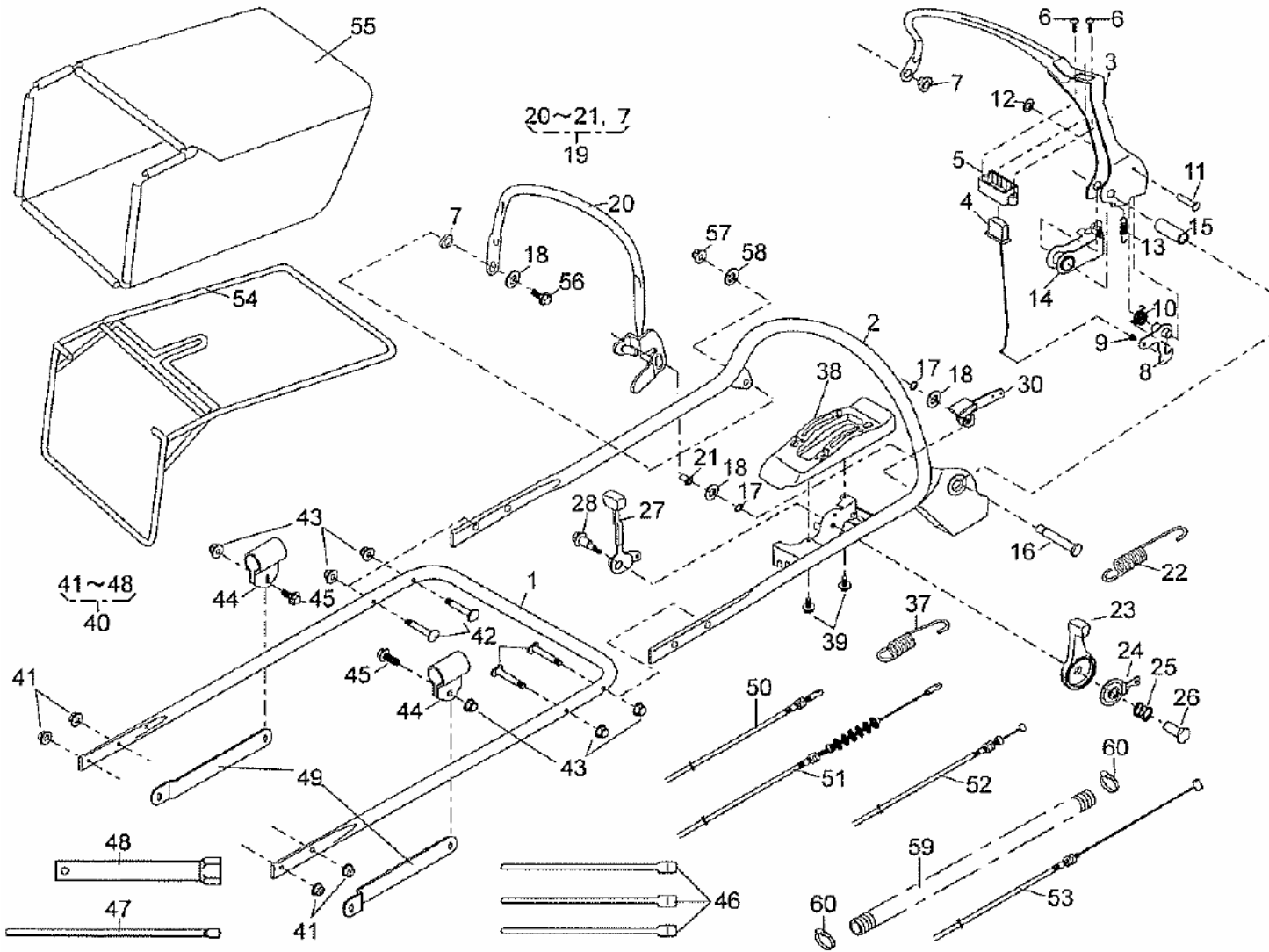
1/2



K24- W721 PRO Phase 3 (50001~)
GRASS ATCHER/HANDLE/CABLE
SAC A HERBE/GUIDON/CABLES

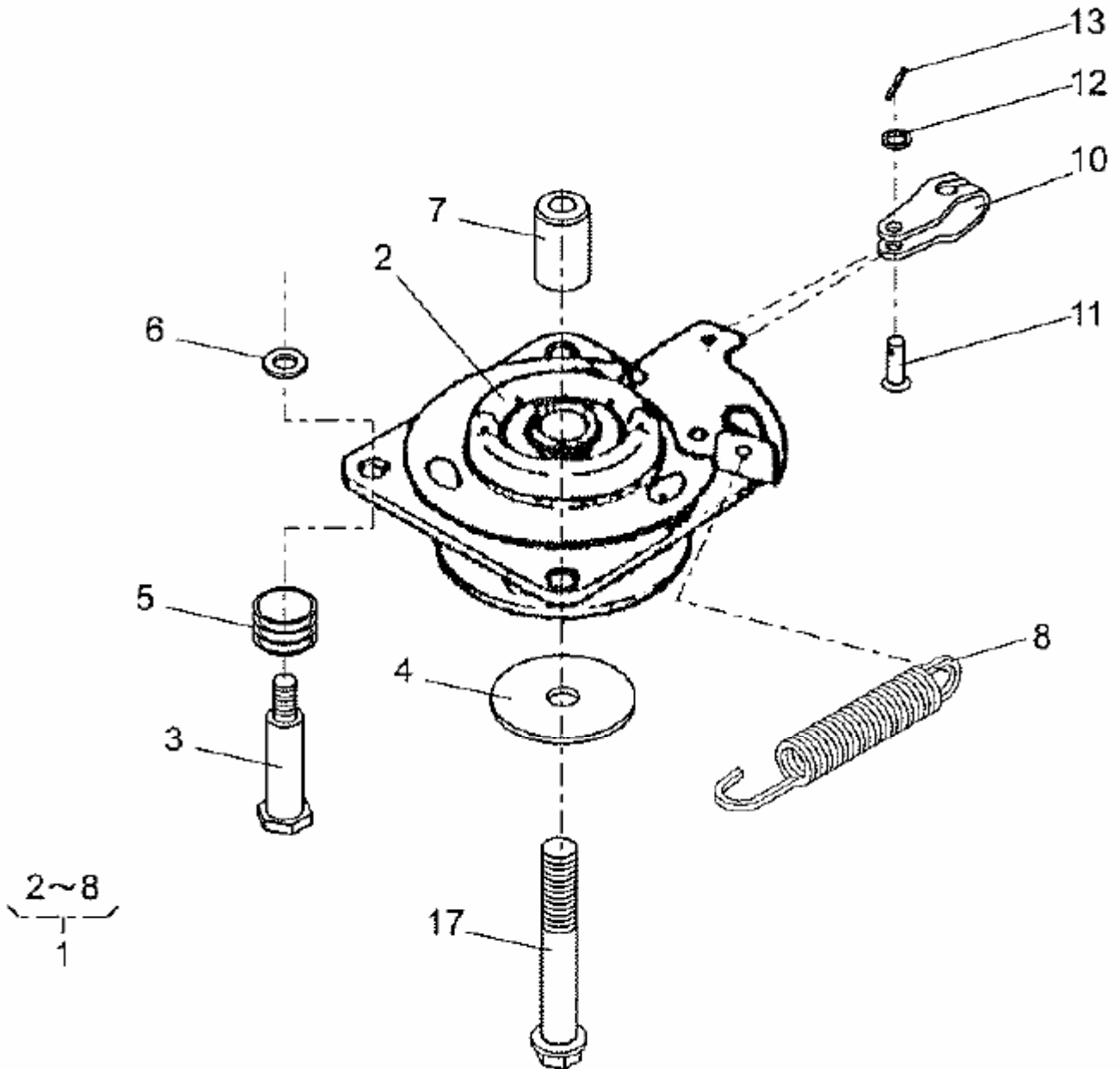
K24-L
W721 PRO

2/2



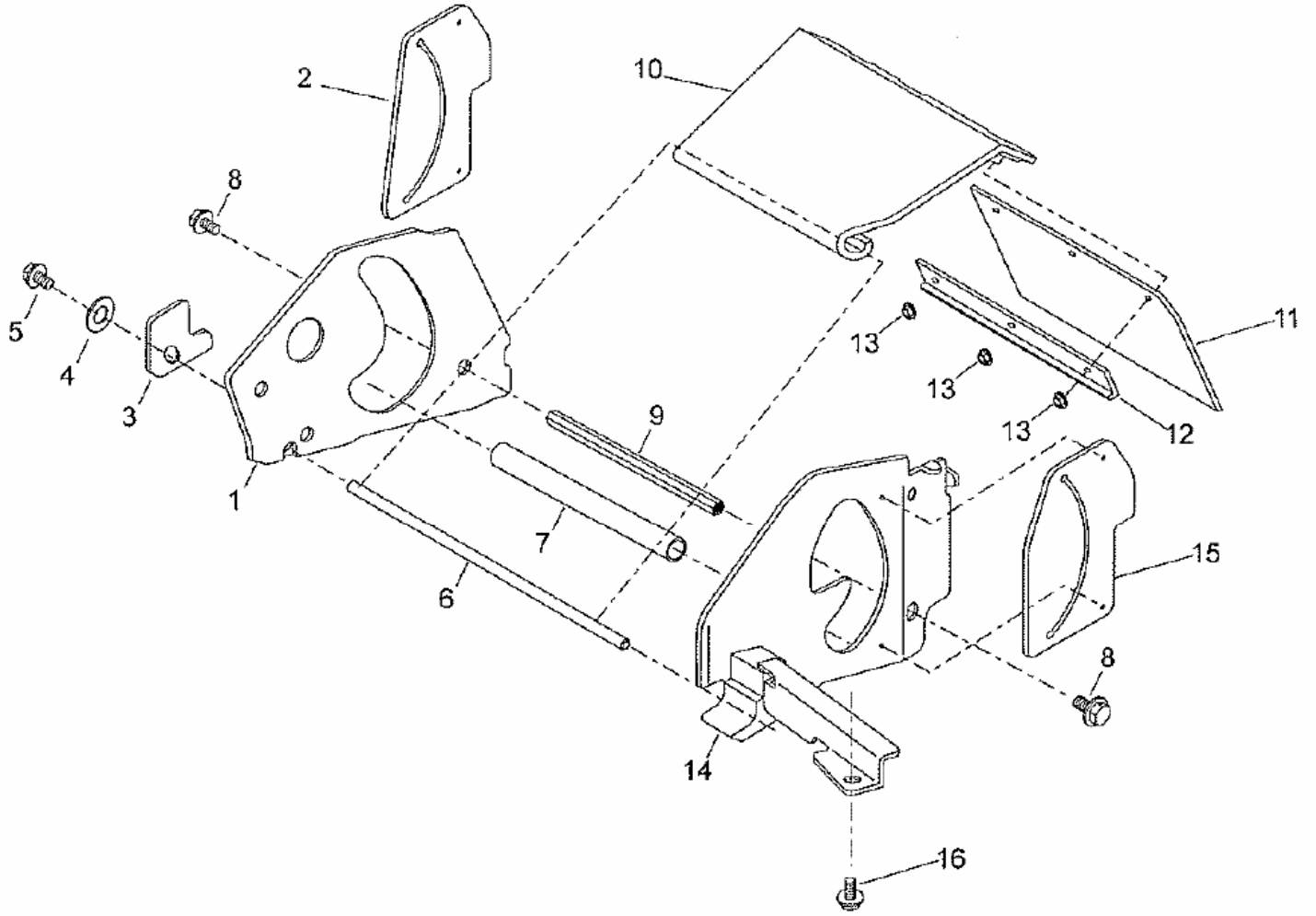
K25- W721 PRO Phase 3 (50001~)
EMBAYAGE DE LAME
BRAKE SET

K25-L
W721 PRO



K26- W721 PRO Phase 3 (50001~)
COUVERCLE CARTER
COVER UNIT

K26-L
W721 PRO



Kubota

Kubota

GEANT DES NECESSITES FONDAMENTALES

"La Technologie pour les Besoins de Demain" est l'ambition de chacun CHEZ KUBOTA. A travers la recherche et le développement de nouveaux produits pour l'Agriculture, l'Industrie, la Construction et plusieurs autres domaines de la vie moderne, Nous KUBOTA, espérons atteindre ce but.

THE BASIC NECESSITIES GIANT

"Technology for the Needs of Tomorrow" is the ambition of everyone at KUBOTA. Through research and the development of new products for agriculture, industry, construction, and many other areas of modern life, we at Kubota hope to realize this goal.

IMPRIME EN FRANCE
PRINTED IN FRANCE