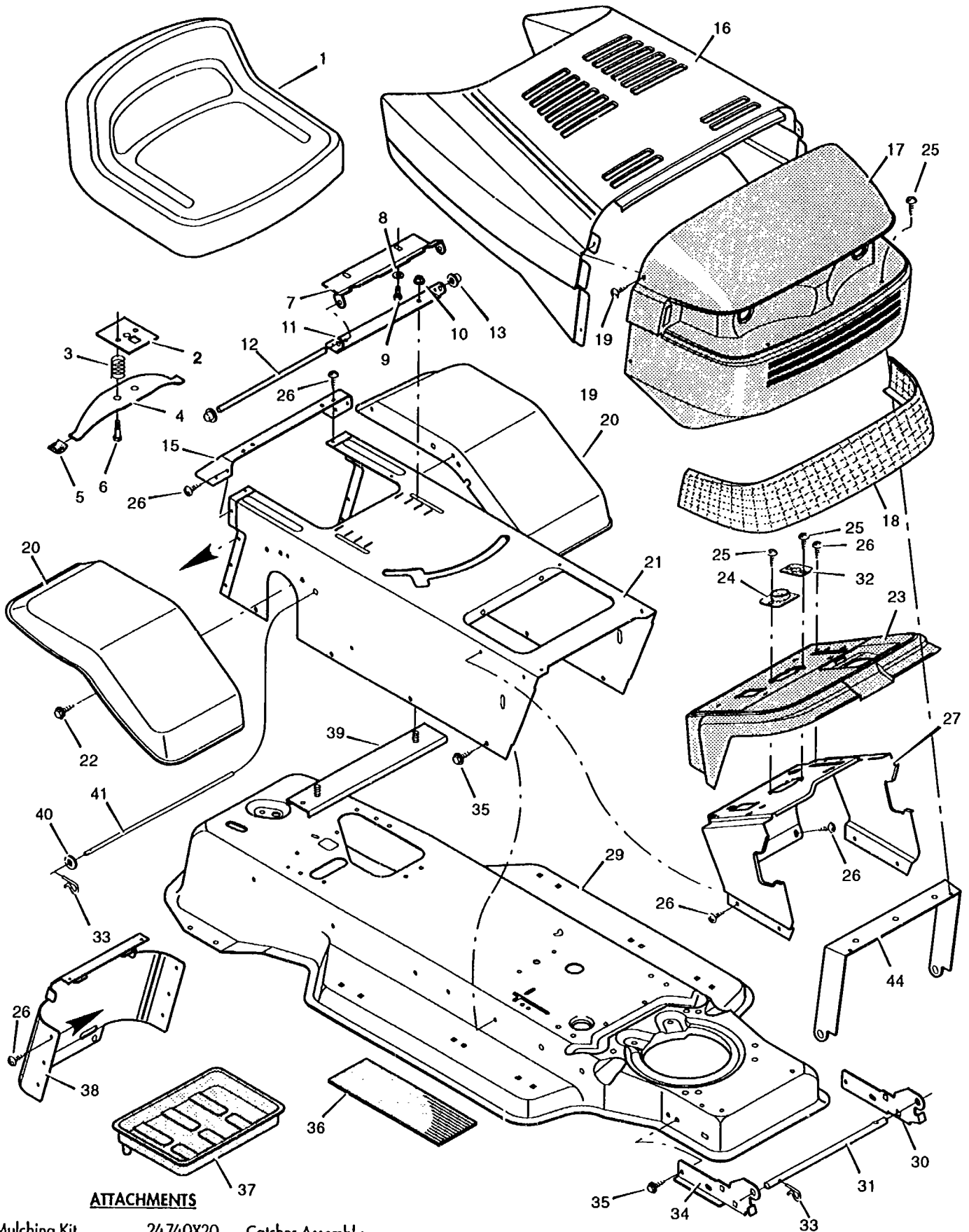


MODEL 40711x70A

40" S/D - L/T
12.5 B&S IC ENGINE
5-SPEED PEERLESS TRANSAXLE

REPAIR PARTS CHASSIS & HOOD

COLOR: (245) - BRITE RED



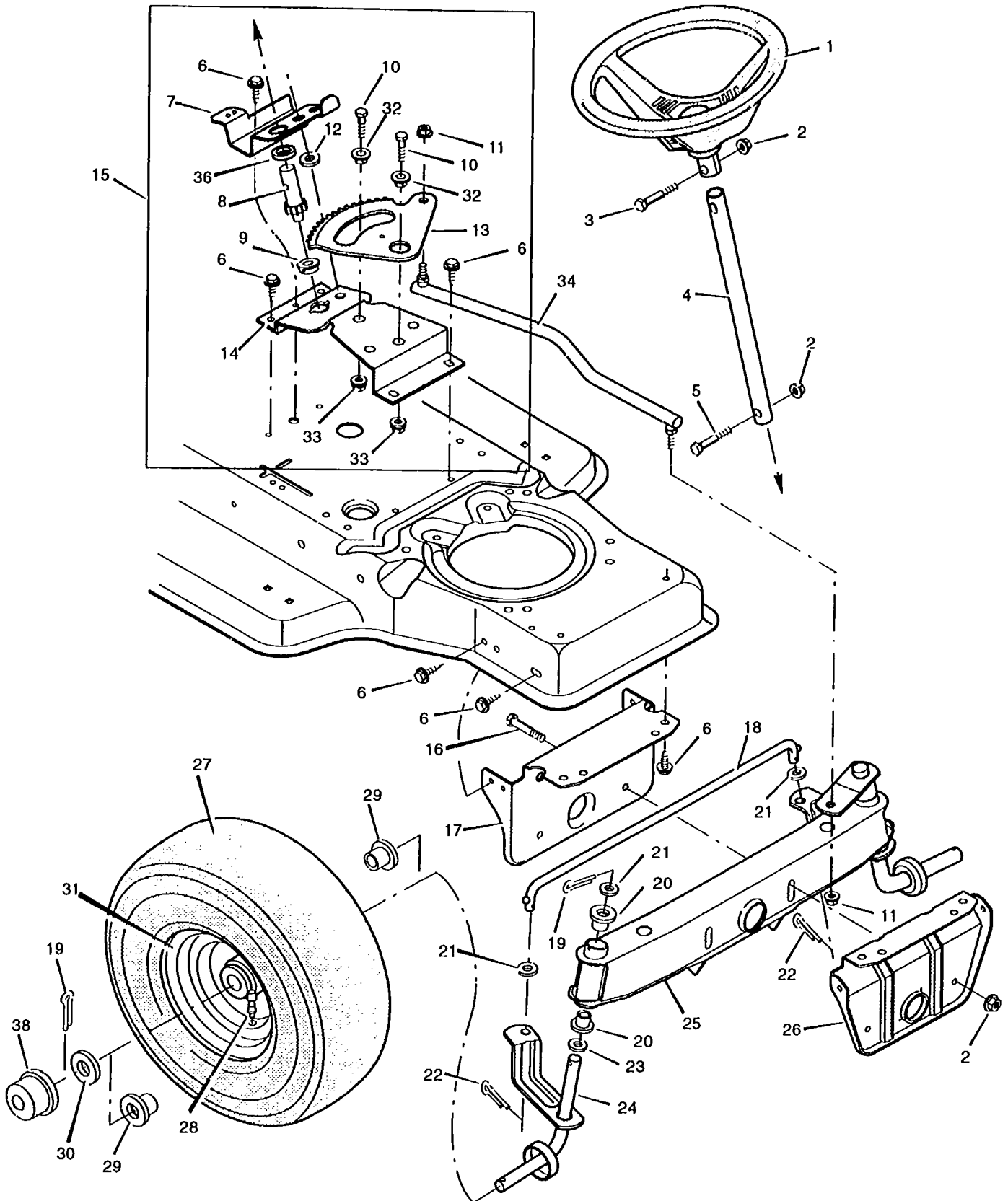
ATTACHMENTS

- | | | | |
|-------|---------------|----------|------------------|
| 24755 | Mulching Kit | 24740X20 | Catcher Assembly |
| 24720 | Lawn Sweeper | | |
| 24455 | Snow Blade | 24577 | Snow Thrower |
| 24003 | Wheel Weights | 24538 | Tire Chains |

MODEL 40711x70A

REPAIR PARTS CHASSIS & HOOD

Key No.	Description	Part No.	Key No.	Description	Part No.
1	Seat	91965	27	Support, Dash	93136E700
2	Plate Assembly, Switch	91963	29	Frame Assembly	92515E245
3	Spring, Compression	164x26	30	Bracket, Left Grille	92347E700
4	Spring, Seat	91964	31	Rod, Pivot	92332Z
5	Glide, Spring	91822	32	Bearing	93136
6	Bolt, Shoulder	9x38	33	Pin, Hair	31x4
7	Support, Seat	92334E700	34	Bracket, Right Grille	92346E700
8	Lockwasher	18x16	35	Screw	26x249
9	Bolt, Hex	1x45	36	Mat	91900
10	Locknut, Flange	15x88	37	Tray, Battery	91895
11	Bracket, Pivot	91729	38	Cap, Console	92443E700
12	Rod, Pivot	91730 Z	39	Channel Assembly	91857E700
13	Cap, Push On	28x23	40	Washer	17x36
15	Fender, Apron	91724E700	41	Rod, Battery	56566Z
16	Hood	93215E245	44	Brace, Grille	93190
17	Grille (includes Lens)	93149	—	Instruction Book (English)	F-94826
18	Lens	93139	—	Instruction Book (French)	F-94826FH
19	Screw	9x47	—	Repair Parts Book	F-94827
20	Fender	92328E245	—	Decal, Left Hood	44x4503
21	Console	92438E245	—	Decal, Right Hood	44x4504
22	Screw	26x263	—	Decal, Left Fender	44x4325
23	Dash Panel	70140	—	Decal, Right Fender	44x4324
24	Bearing, Steering	93135	—	Decal, Top Console - Warning	44x2950
25	Screw	26x239	—	Decal, Shift Pattern	44x1459
26	Screw	26x270	—	Plaque, Name	280x37

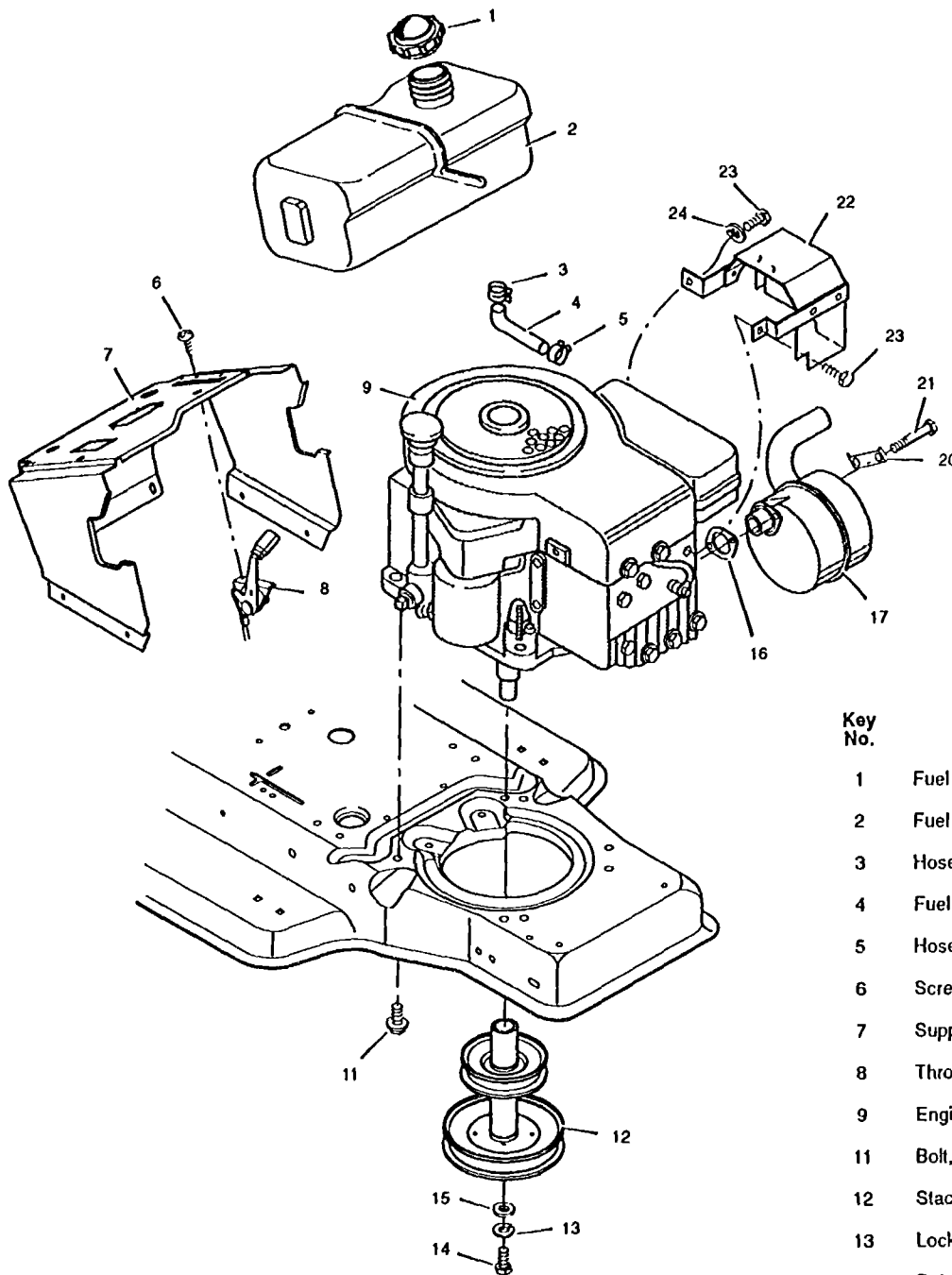


Key No.	Description	Part No.
1	Wheel, Steering	92076
2	Nut, Hex	15x118
3	Bolt, Hex	1x66
4	Post, Steering	91860Z
5	Bolt, Hex	1x74
6	Screw	26x249
7	Bracket, Sector	91716E700
8	Gear, Pinion	402075
9	Bearing	91756
10	Bolt, Hex	1x84
11	Locknut, Flange	15x87
12	Spacer	92564
13	Gear, Sector	402075
14	Bracket, Sector	91708E700
15	Kit, Steering Gear	402075
16	Bolt, Hex	1x146
17	Support, Rear Axle	92529E700
18	Rod, Tie	90038E700
19	Pin, Cotter	30x49
20	Bearing	92527
21	Washer	17x57
22	Pin, Cotter	30x20
23	Washer	17x113
24	Spindle Assembly, Right	91828E700
25	Spindle Assembly, Axle & Left	92519F200
26	Support, Front Axle	92528E700
27	Tire*	91912
—	Tube	407047
28	Stem, Valve	24373
29	Bearing, Wheel	91334
30	Washer	17x115
31	Wheel & Tire Assembly	92287-601
32	Bearing	92097
33	Locknut, Flange	15x113
34	Link, Drag	91749F200
36	Spacer, Pinion Gear	92280
38	Hub Cap (Optional)	24582
39	Bellows, Steering Post (Optional)	91298

*When you order a tire, make sure to give the brand name of the tire so that the tread pattern on the tire will match.

MODEL 40711x70A

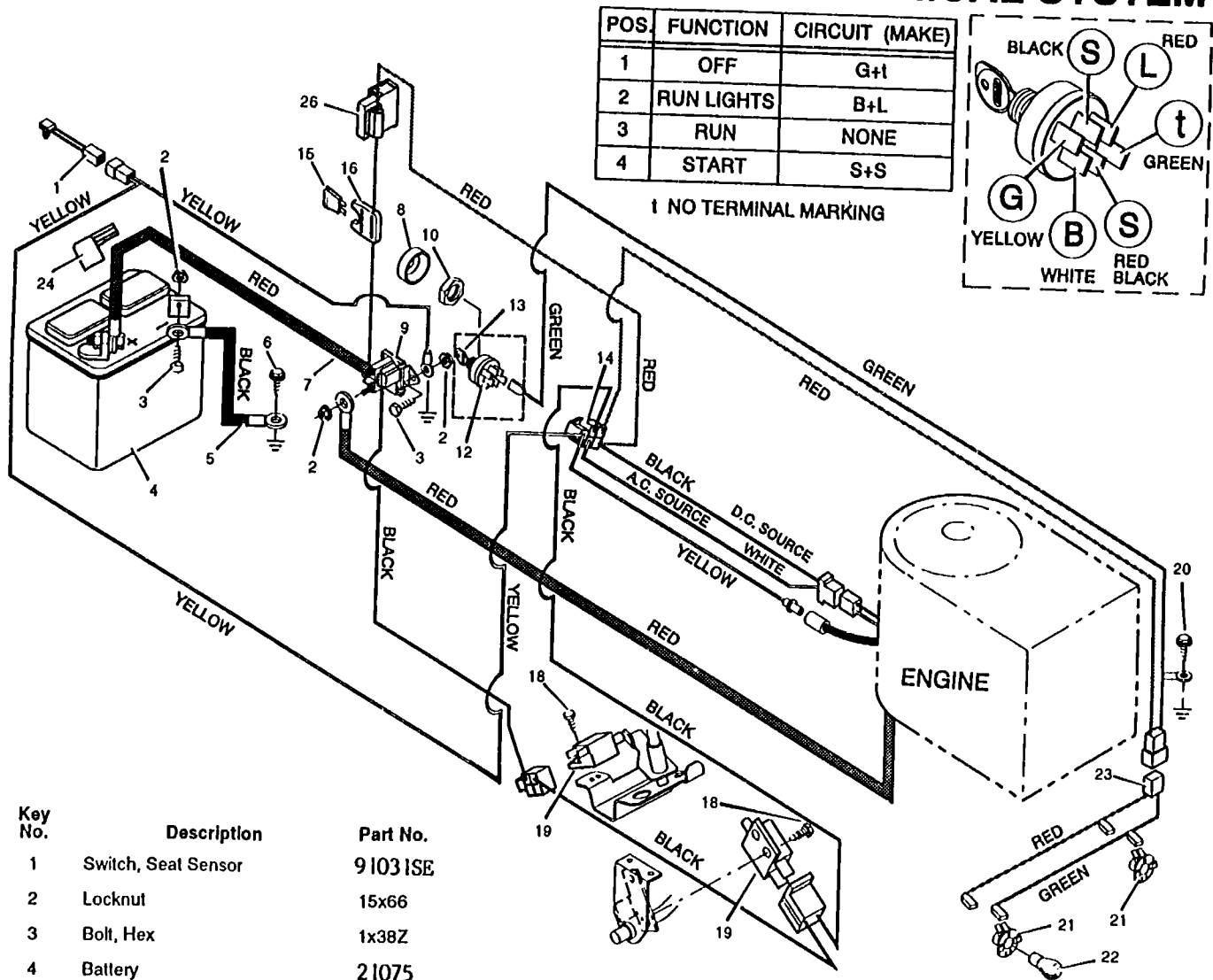
REPAIR PARTS ENGINE MOUNT



Key No.	Description	Part No.
1	Fuel Cap	92317
2	Fuel Tank	93150
3	Hose Clamp	91174
4	Fuel Line	90671
5	Hose Clamp	23713
6	Screw	26x201
7	Support, Dash	93136E 700
8	Throttle Control	92371
9	Engine *	286707-0152-01
11	Bolt, Engine Mount	25x7
12	Stack Pulley Assembly	92246SE
13	Lockwasher	19x35
14	Bolt, Hex	1x140
15	Washer	17x170
16	Gasket	91309
17	Muffler	92455
20	Lock, Screw	92378
21	Bolt	1x134
22	Shield, Heat	92397 SE
23	Bolt	1x38
24	Washer	18x32

MODEL 40711x70A

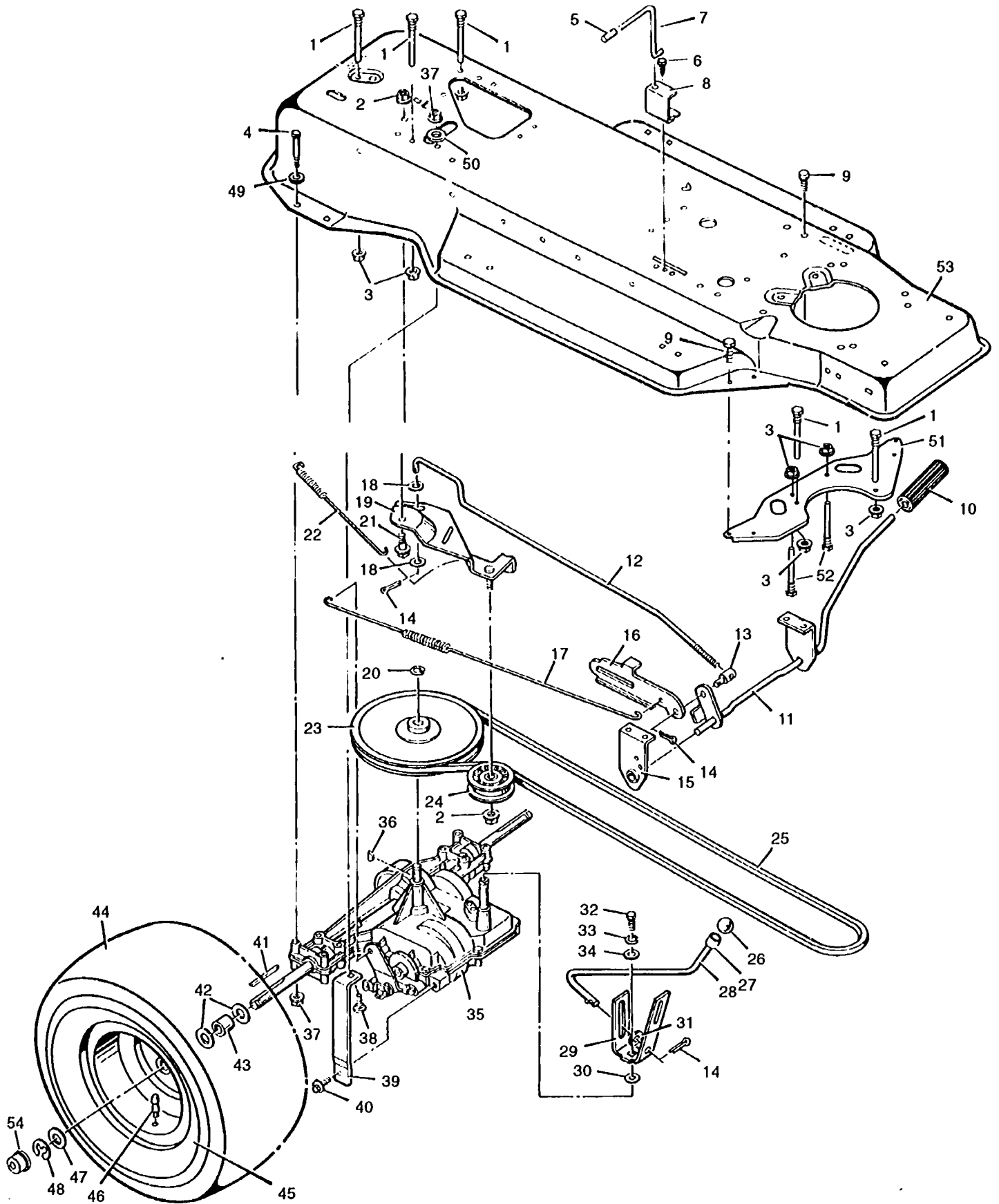
REPAIR PARTS ELECTRICAL SYSTEM



Key No.	Description	Part No.
1	Switch, Seat Sensor	9 103 1SE
2	Locknut	15x66
3	Bolt, Hex	1x38Z
4	Battery	2 1075
5	Cable, Battery Ground	24x9
6	Screw	26x249
7	Cable, Red Battery	24x12
8	Cap, Ignition	91488
9	Solenoid	24285
10	Nut, Hex	91489
12	Switch, Ignition	92377
13	Key, Ignition	20729
14	Harness, Chassis Wire	250x50
15	Fuse	54212
16	Holder, Fuse	407078
18	Screw	26x233
19	Switch, Limit	24273
20	Screw	25x2
21	Socket, Light	92372
22	Bulb, Light	90084
23	Harness, Light Wire	250x40
24	Cover, Terminal	54148
26	Ammeter	93156

MODEL 40711x70A

REPAIR PARTS MOTION DRIVE



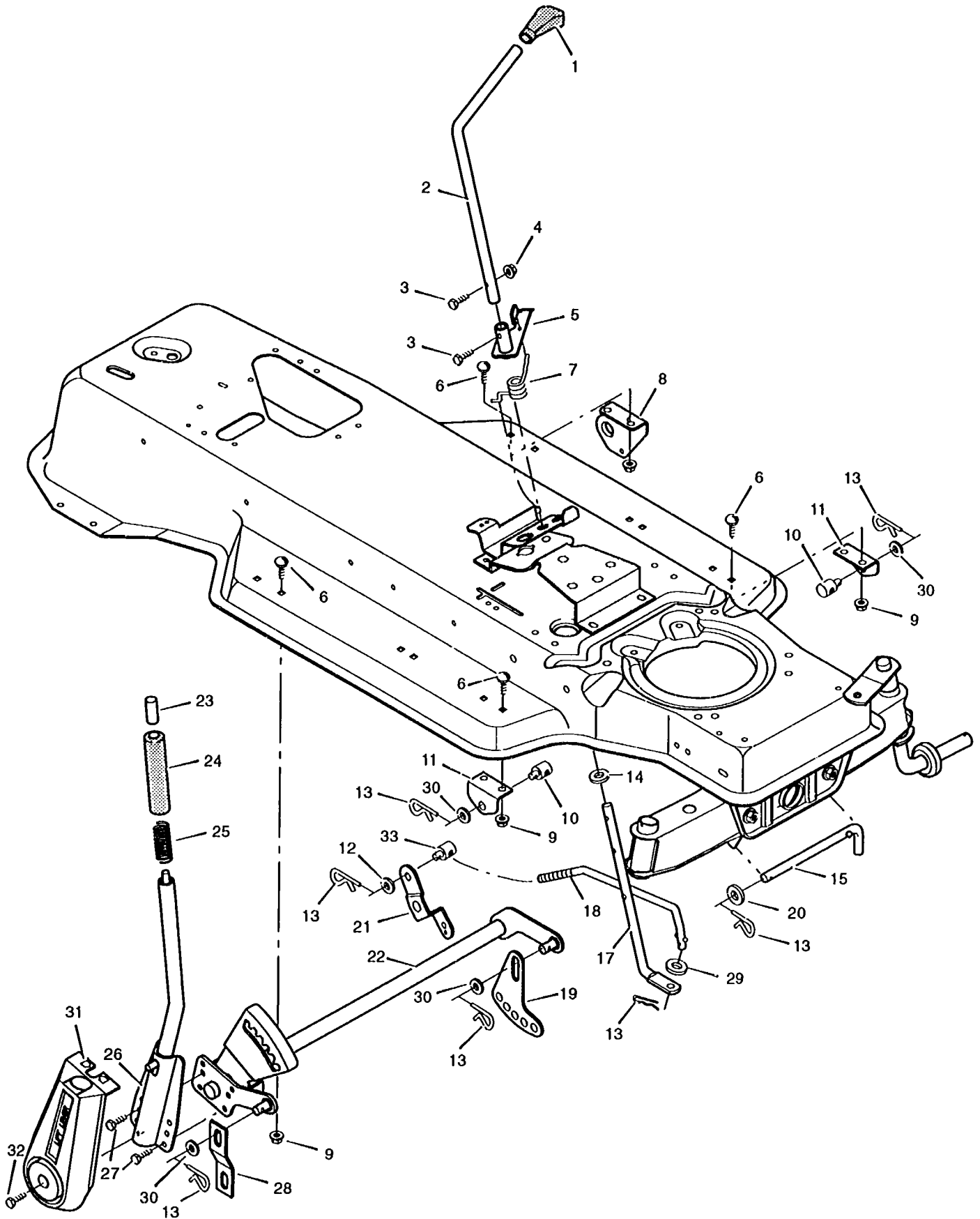
MODEL 40711x70A

REPAIR PARTS MOTION DRIVE

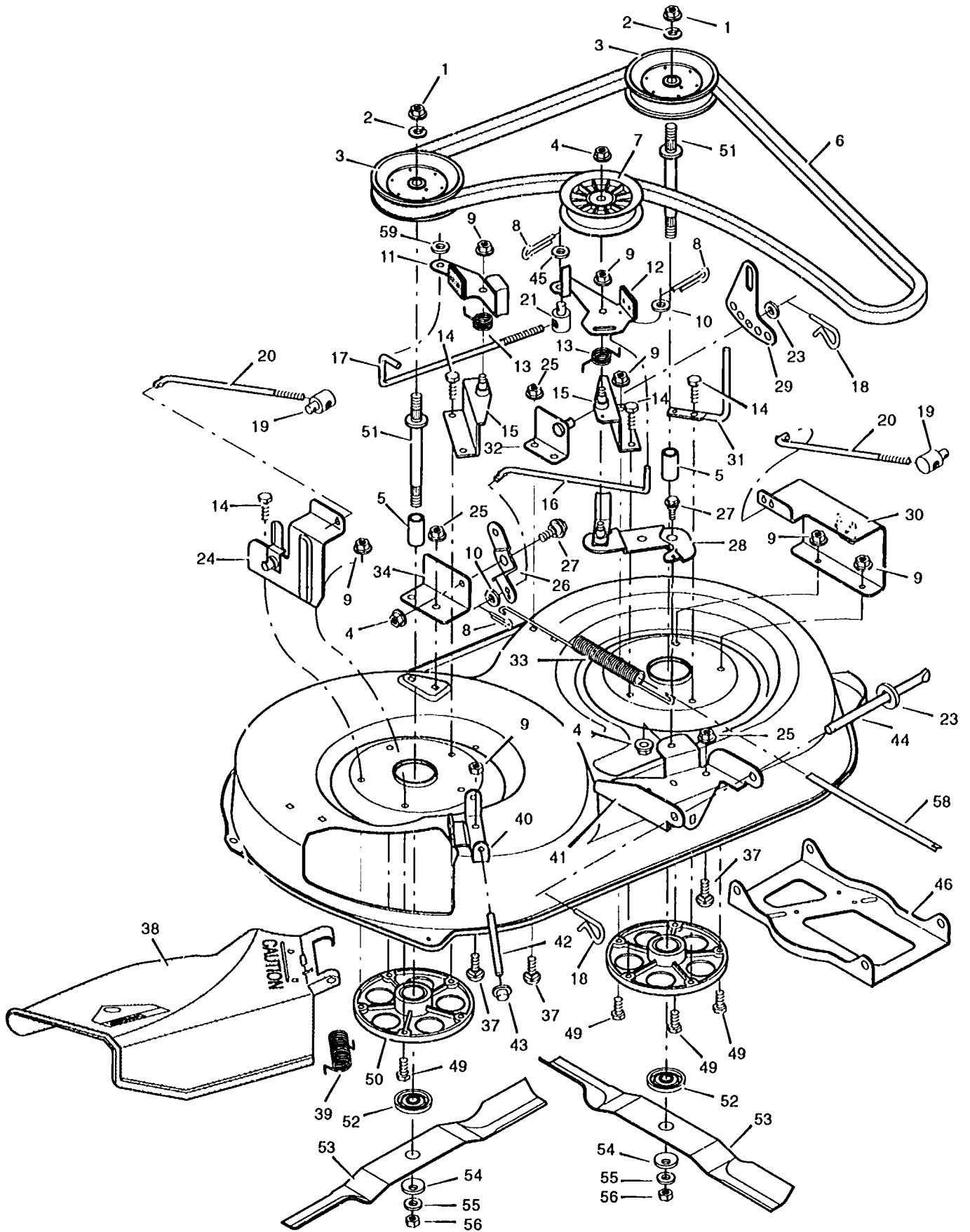
Key No.	Description	Part No.	Key No.	Description	Part No.
1	Guide, Belt	91754	29	Yoke, Shift	91806Z
2	Locknut, Flange	15x84	30	Washer	17x148
3	Nut, Flange	15x79Z	31	Washer	17x102
4	Bolt, Hex	1x124	32	Bolt, Hex	1x82
5	Grip	92724	33	Lockwasher	18x32
6	Screw	26x214	34	Washer	17x38Z
7	Rod, Control	91727Z	35	Transaxle Model 930-012	**
8	Guide, Bracket	91825 Z	36	Woodruff Key No. 9	20697
9	Screw	26x249	37	Locknut, Flange	15x88
10	Clutch and Brake Pedal	21544	38	Bolt, Carriage	2x64
11	Lever Assembly	91862E700	39	Support, Transaxle	91804
12	Rod, Clutch	91808Z	40	Screw	26x216
13	Nut, Adjustable	21920	41	Key, Square	21553
14	Pin, Cotter	30x20	42	Washer	17x160
15	Bracket, Support	91713E700	43	Spacer, Transaxle	87x100Z
16	Latch, Park Brake	91712Z	44	Tire*	91914
17	Spring, Brake Extension	165x82	—	Tube	407049
18	Washer	17x47Z	45	Wheel & Tire Assembly	92289-601
19	Bracket Assembly, Idler	92029Z	46	Stem, Valve	24373
20	Ring, Retainer	11x7	47	Washer	17x115
21	Bolt, Shoulder	9x39	48	E-Ring	11x3
22	Spring, Drive Extension	165X76SE	49	Washer	17x146Z
23	Pulley, Motion Drive	91807	50	Washer	17x45
24	Pulley, Backside Idler	91179	51	Plate, Belt Guide	92694E701
25	Belt, Motion Drive	37x61	52	Guide, Belt	20619
26	Knob, Shift Lever	91995SE	53	Frame Assembly	92515E245
27	Tolerance Ring	91995SE	54	Hub Cap (Optional)	24582
28	Shift Lever	91805Z			

*When You order a tire, make sure to give the brand name of the tire so that the tread pattern on the tire will match.

** Parts are available from a Tecumseh Authorized Service Center. See the telephone directory.



Key No.	Description	Part No.
1	Grip	92698
2	Control, Blade Rotation	92238Z
3	Bolt, Hex	25x3
4	Locknut, Hex	15x67
5	Lever Assembly, Switch	91917E700
6	Bolt, Carriage	2x53
7	Spring, Torsion	166x32
8	Bracket, Rear Hanger	92066E700
9	Nut, Flange	15x79
10	Nut, Adjusting	92131SE
11	Bracket, Adjuster Rod	92133SE
12	Washer	17x124
13	Pin, Hair	31x4
14	Washer	17x122
15	Pin, Pull	90827Z
17	Lever, Lower Blade Control	91787E700
18	Rod, Blade Control	91795Z
19	Plate, Adjuster	91741E701
20	Washer	17x103
21	Bracket, Pivot	92033SE
22	Lifter Assembly	92065E700
23	Knob, Steel	92572
24	Grip	92783
25	Spring, Compression	164x21
26	Handle Assembly	91823SE
27	Screw	26x49
28	Link, Suspension	92064E700
29	Washer	17x47Z
30	Washer	17x91Z
31	Cover, Lift Lever (Optional)	92157
32	Screw	26x263
33	Nut, Adjusting	21920



MODEL 40711x70A

REPAIR PARTS MOWER HOUSING

Key No.	Description	Part No.	Key No.	Description	Part No.
1	Nut, Hex	15x100	30	Cover, Pulley	91792E700
2	Lockwasher	18x33	31	Guide, Belt	91797 Z
3	Pulley, Jackshaft	91943	32	Bracket Assembly, Left Lifter	91813E701
4	Locknut, Flange	15x84	33	Spring, Extension	165x72
5	Spacer	91903	34	Bracket, Pivot	91743E701
6	Belt, Blade Drive	37x62	35	Plate	91770E701
7	Pulley, Idler	91801	36	Washer	17x57
8	Pin, Cotter	30x20	37	Bolt, Carriage	2x53
9	Locknut, Flange	15x88	38	Deflector Assembly, Chute	92465SE
10	Washer	17x46Z	39	Spring, Torsion	166x4
11	Brake Assembly, Right	92183SE	40	Bracket, Hinge	91765E700
12	Brake Assembly, Left	92183SE	41	Bracket, Front Hanger	91875E700
13	Spring, Torsion	166x27	42	Rod, Deflector	91767Z
14	Bolt, Hex	25x6	43	Cap, Push On	28x23
15	Bracket Assembly, Brake	92072SE	44	Rod, Hanger	91739Z
16	Rod, Brake	91745Z	45	Washer	17x124
17	Rod, Cross Link	92183SE	46	Hanger, Front	92119SE
18	Pin, Hair	31x4	49	Bolt, Hex	1x84
19	Nut, Adjustable	92131SE	50	Housing, Jackshaft	92574
20	Rod, Adjuster	91872Z	51	Jackshaft	91922
21	Nut, Adjustable	21920	52	Adapter, Blade	92466
22	Link, Suspension	92064E700	53	Blade, 40" (2 required)	92002E701
23	Washer	17x103	54	Washer, Belleville	17x166
24	Bracket Assembly, Right Lifter	92194E700	55	Washer	17x165
25	Nut, Flange	15x79	56	Nut, Hex	15x100
26	Bracket, Pivot	92033SE	58	Indicator, Plastic	92163
27	Bolt, Carriage	9x39	59	Washer	17x48
28	Arm Assembly, Idler	92032SE	60	Housing, Blade	91907E700
29	Plate, Adjuster	91741E701	1-60	Complete Mower Housing Assembly	403229