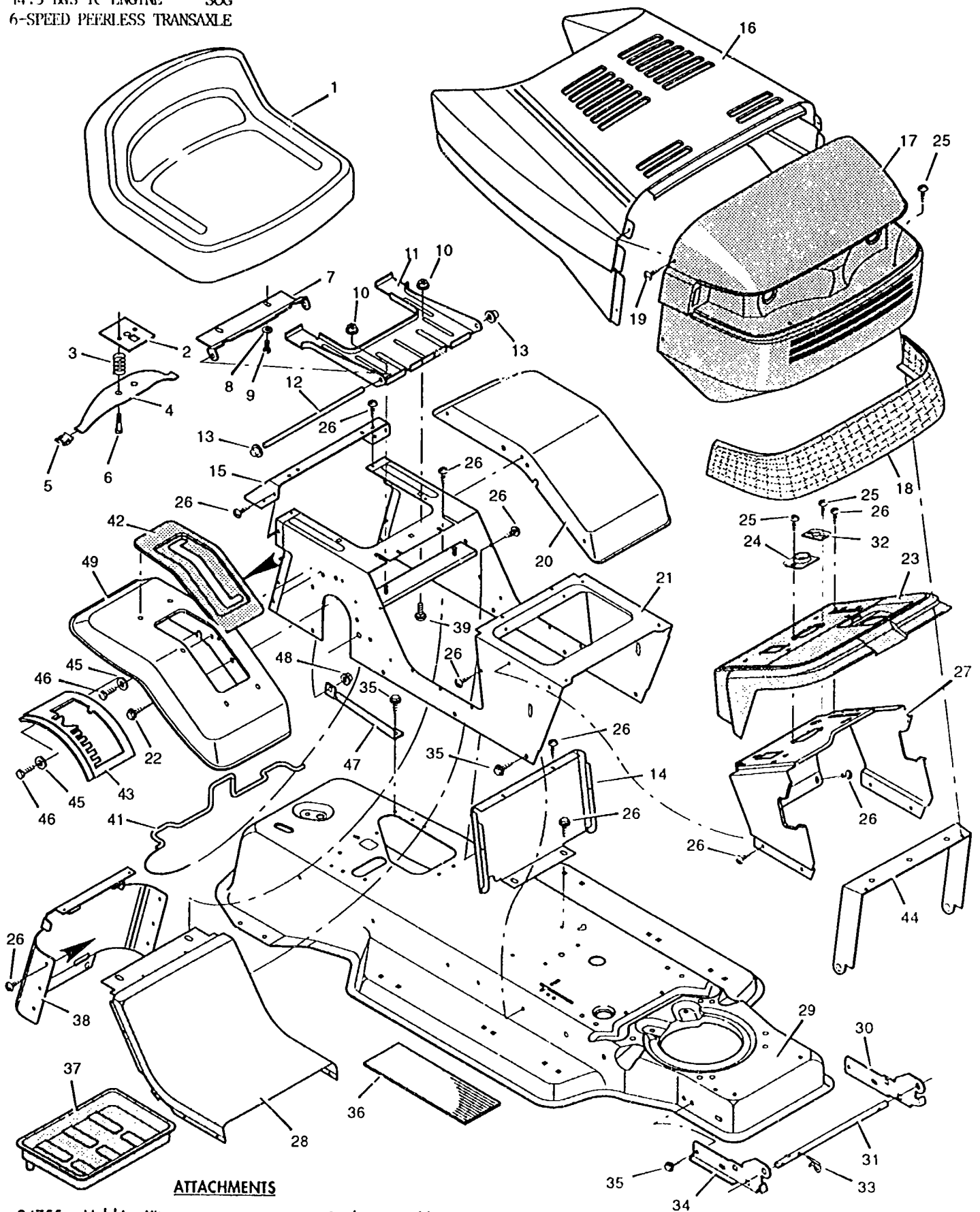


MODEL 40815x70A

40" S/D - L/T COLOR: (245) - BRITE RED
 14.5 B&S IC ENGINE - SOG
 6-SPEED PEERLESS TRANSAXLE

REPAIR PARTS CHASSIS & HOOD



ATTACHMENTS

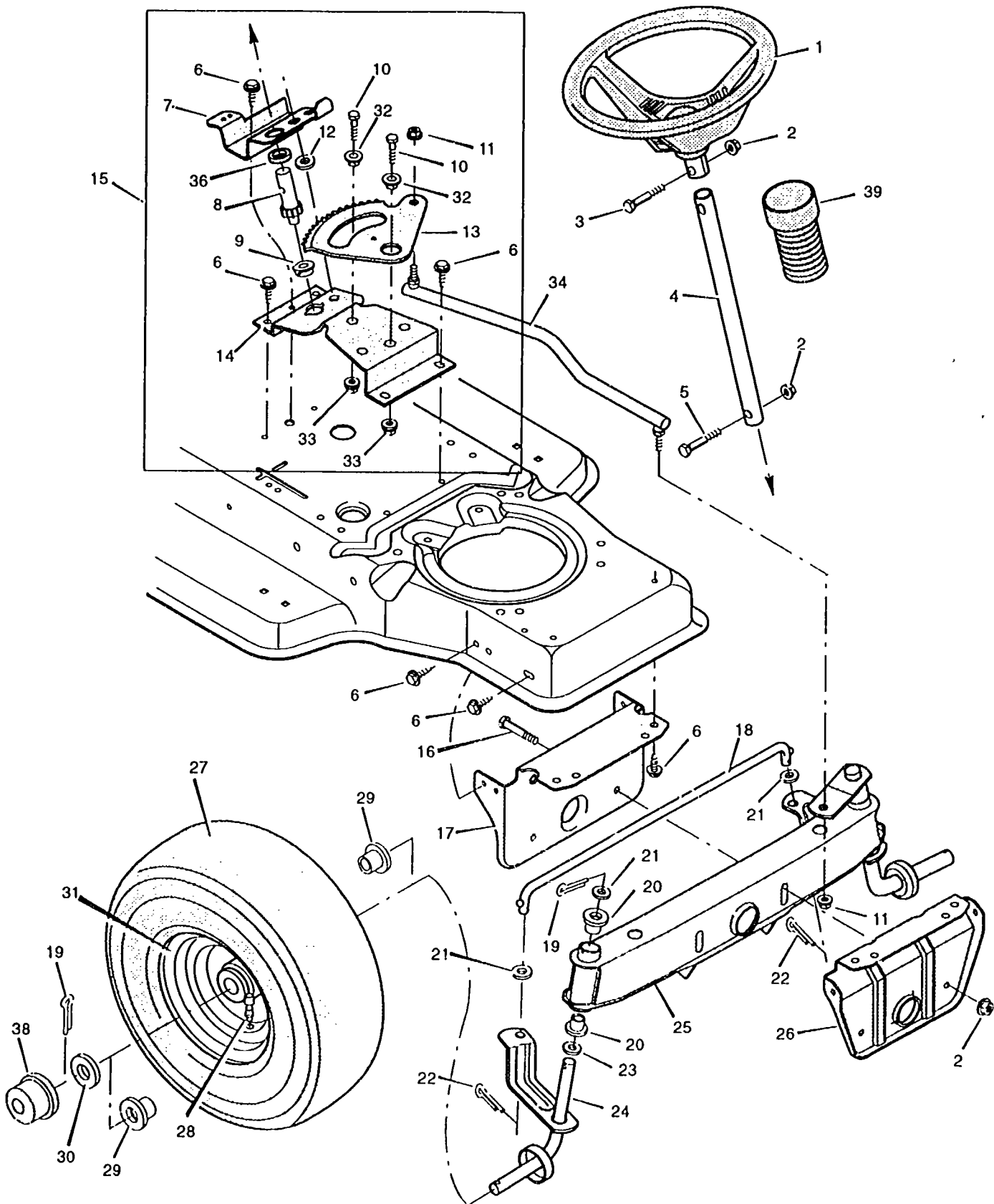
- | | | | |
|-------|---------------|----------|------------------|
| 24755 | Mulching Kit | 24740X20 | Catcher Assembly |
| 24720 | Lawn Sweeper | | |
| 24455 | Snow Blade | 24577 | Snow Thrower |
| 24003 | Wheel Weights | 24538 | Tire Chains |

G-I.

MODEL 40815x70A

REPAIR PARTS CHASSIS & HOOD

Key No.	Description	Part No.	Key No.	Description	Part No.
1	Seat	92040	28	Insert, Rear	92549E245
2	Plate Assembly, Switch	91963	29	Frame Assembly	92515E245
3	Spring, Compression	164x26	30	Bracket, Left Grille	92347E700
4	Spring, Seat	91964	31	Rod, Pivot	93137Z
5	Glide, Spring	91822	32	Bearing	93155
6	Bolt, Shoulder	9x38	33	Pin, Hair	31x4
7	Suppor., Seat	92334E700	34	Bracket, Right Grille	92346E700
8	Lockwasher	18x16	35	Screw	26x249
9	Bolt, Hex	1x45	36	Mat	91900
10	Locknut, Flange	15x88	37	Tray, Battery	91895
11	Bracket, Pivot	92546E701	38	Cap, Console	92443E245
12	Rod, Pivot	91730 Z	39	Bolt	2x64
13	Cap, Push On	28x23	41	Clamp, Battery	92725Z
14	Insert, Front	92548E245	42	Cover, Shift	91905
15	Fender, Apron	91724E700	43	Gate, Shift	91892
16	Hood	93215E245	44	Brace, Grille	93190
17	Grille Assembly (includes Lens)	93149	45	Washer	17x38Z
18	Lens	93139	46	Bolt, Hex	1x38
19	Screw	9x47	47	Strut, Shifter	91910
20	Fender	92328E245	48	Locknut	15x66
21	Console Assembly	92729E245	49	Fender, SOG	92379E245
22	Screw	26x263	—	Book, Instruction (English)	F-95828
23	Dash Panel	70140	—	Book, Repair Parts	F-95829
24	Bearing, Steering	93135	—	Decal, Left Hood	44x3659
25	Screw	26x239	—	Decal, Right Hood	44x3658
26	Screw	26x270	—	Decal, Warning	44x5427
27	Support, Dash	93136E700			

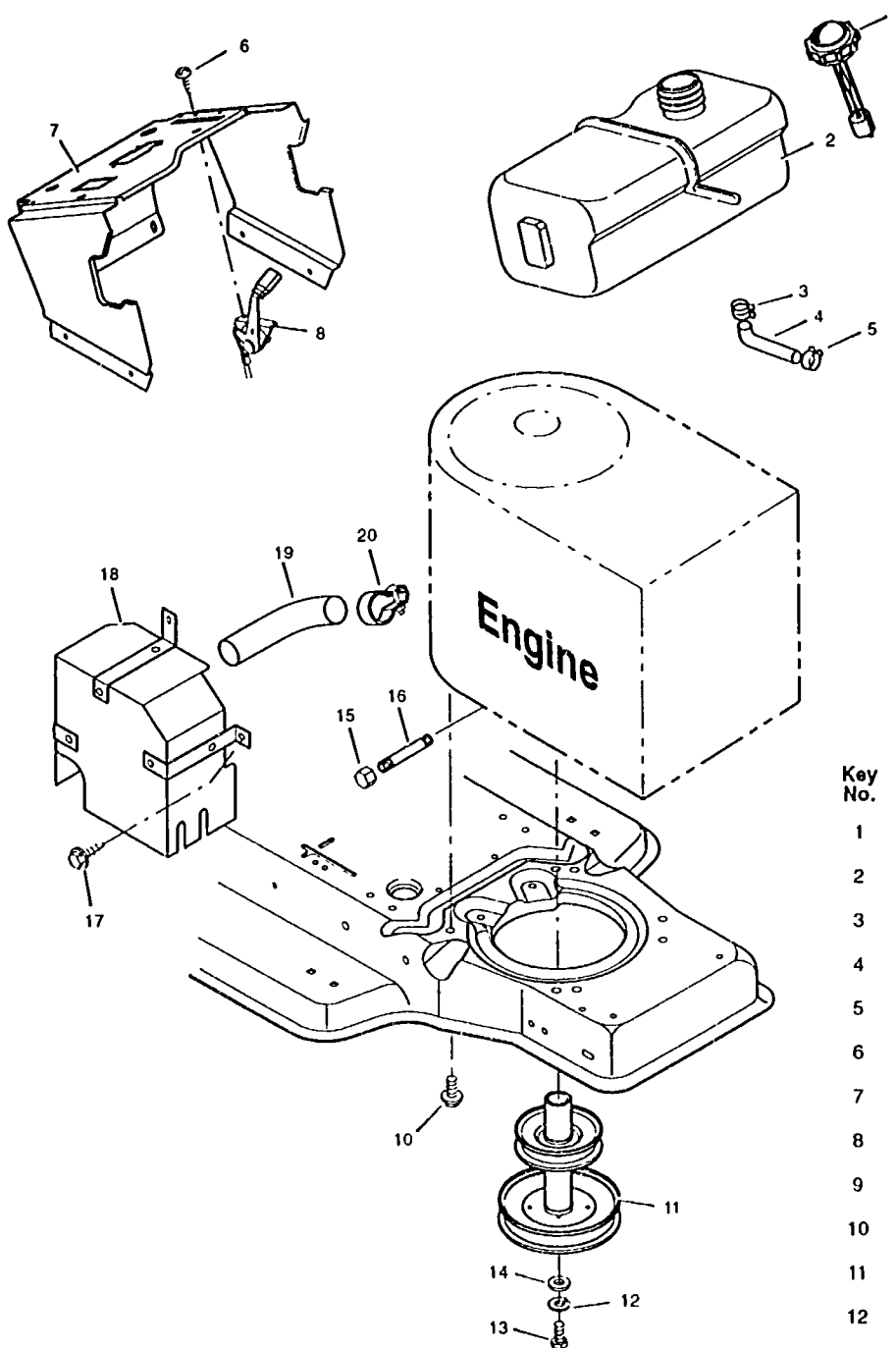


Key No.	Description	Part No.
1	Wheel, Steering	92076
2	Nut, Hex	15x118
3	Bolt, Hex	1x66
4	Post, Steering	91860Z
5	Bolt, Hex	1x74
6	Screw	26x249
7	Bracket, Sector	91716E700
8	Gear, Pinion	402075
9	Bearing	91756
10	Bolt, Hex	1x84
11	Locknut, Flange	15x87
12	Spacer	92564
13	Gear, Sector	402075
14	Bracket, Sector	91708E700
15	Kit, Steering Gear	402075
16	Bolt, Hex	1x146
17	Support, Rear Axle	92529E701
18	Rod, Tie	90038E700
19	Pin, Cotter	30x49
20	Bearing	92527
21	Washer	17x57
22	Pin, Cotter	30x20
23	Washer	17x113
24	Spindle Assembly, Right	91828E700
25	Spindle Assembly, Axle & Left	92519F200
26	Support, Front Axle	92528E701
27	Tire*	91912
—	Tube	407047
28	Stem, Valve	24373
29	Bearing, Wheel	91334
30	Washer	17x115
31	Wheel & Tire Assembly	92638-601
32	Bearing	92097
33	Locknut, Flange	15x113
34	Link, Drag	91749F200
36	Spacer, Pinion Gear	92280
38	Hub Cap (Optional)	24582
39	Bellows	91298

*When you order a tire, make sure to give the brand name of the tire so that the tread pattern on the tire will match.

MODEL 40815x70A

REPAIR PARTS ENGINE MOUNT

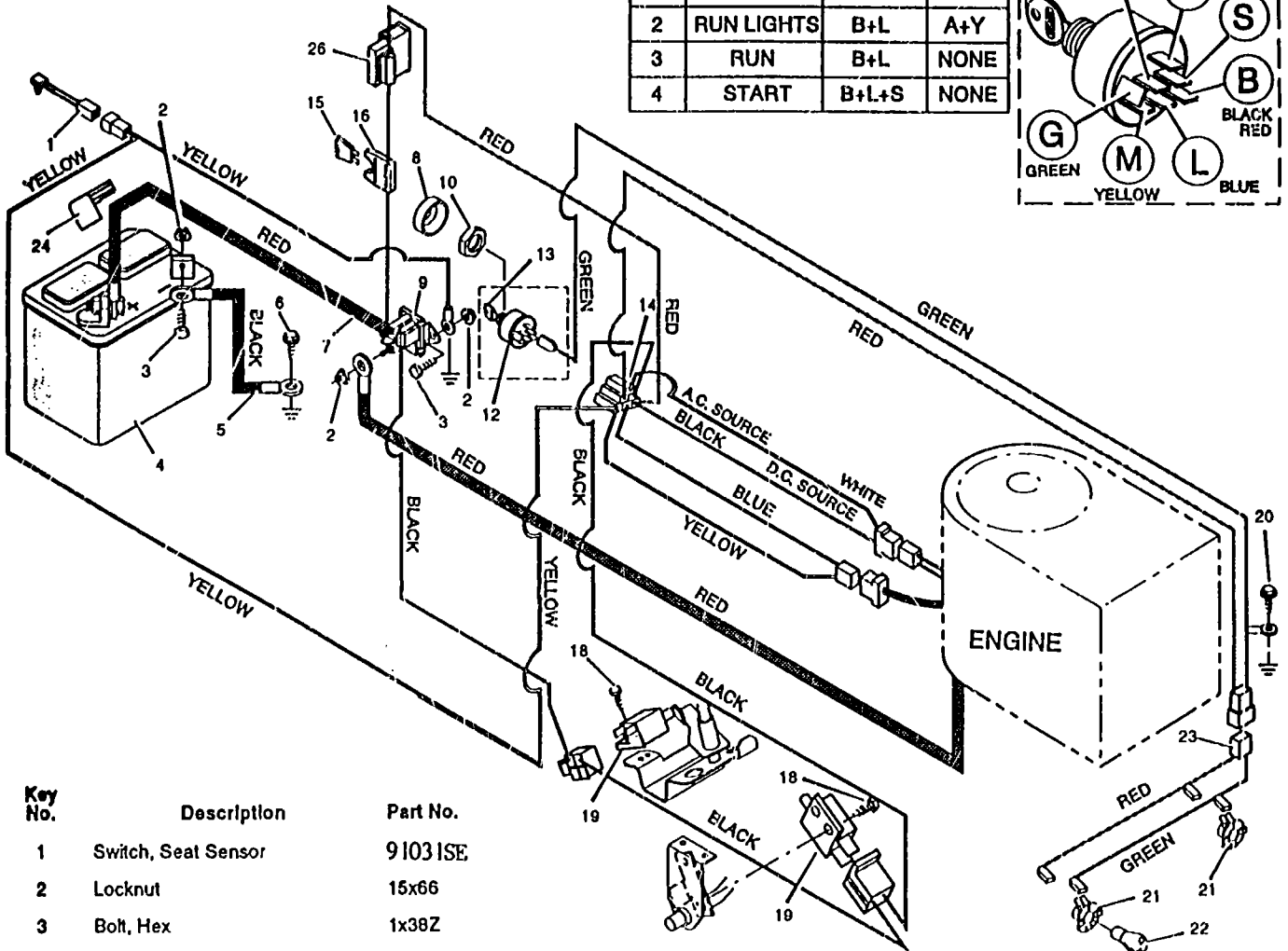
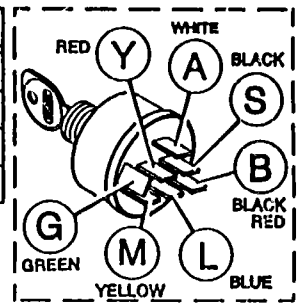


Key No.	Description	Part No.
1	Fuel Cap	91348
2	Fuel Tank	93150
3	Hose Clamp	91174
4	Fuel Line	90671
5	Hose Clamp	23713
6	Screw	26x201
7	Support, Dash	93136E700
8	Throttle Control	92371
9	Engine*	287707-0225-01
10	Bolt, Engine Mount	25x7
11	Stack Pulley Assembly	92246SE
12	Lockwasher	19x35
13	Bolt, Hex	1x140
14	Washer	17x170
15	Cap. Oil Drain	21651
16	Pipe, Oil Drain	24066
17	Screw	26x263
18	Shield, Heat	92550
19	Pipe, Exhaust	92559
20	Clamp	92558

MODEL 40815x70A

REPAIR PARTS ELECTRICAL SYSTEM

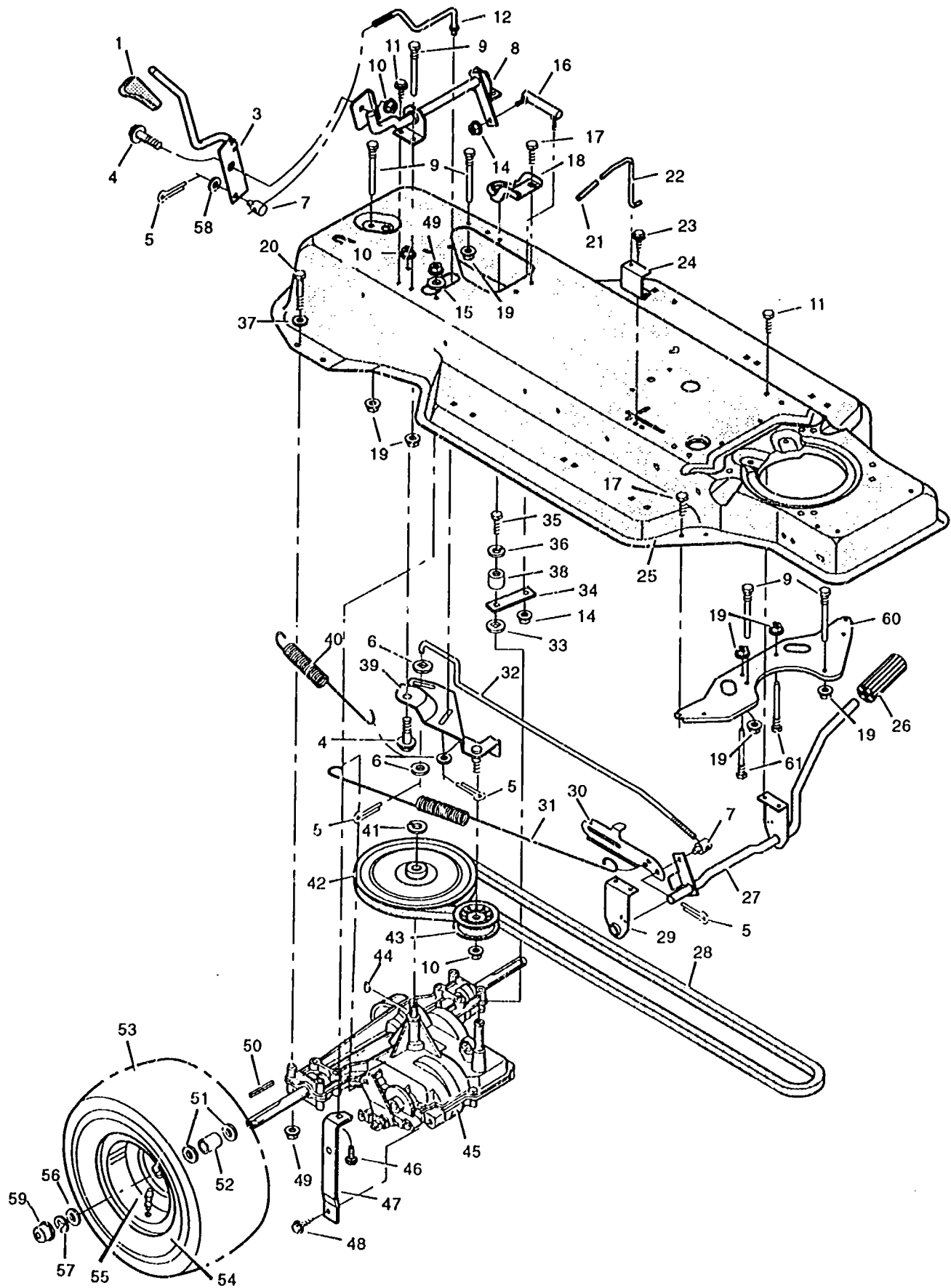
POS.	FUNCTION	CIRCUIT	(MAKE)
1	OFF	G+M+L	NONE
2	RUN LIGHTS	B+L	A+Y
3	RUN	B+L	NONE
4	START	B+L+S	NONE



Key No.	Description	Part No.
1	Switch, Seat Sensor	9103 ISE
2	Locknut	15x66
3	Bolt, Hex	1x38Z
4	Battery	21075
—	Acid, Battery (Electrolyte)	90665
5	Cable, Battery Ground	24x9
6	Screw	26x249
7	Cable, Red Battery	24x29
8	Cap, Ignition	91488
9	Solenoid	24205
10	Nut, Hex	91489
12	Switch, Ignition	92556
13	Key, Ignition	20729
14	Harness, Chassis Wire	250x61
15	Fuse	54212
16	Holder, Fuse	407078
18	Screw	26x233
19	Switch, Clutch	24273
20	Screw	25x2
21	Socket, Light	92372
22	Bulb, Light	90084
23	Harness, Light Wire	250x40
24	Cover, Terminal	54148
26	Ammeter	93156

MODEL 40815x70A

REPAIR PARTS MOTION DRIVE



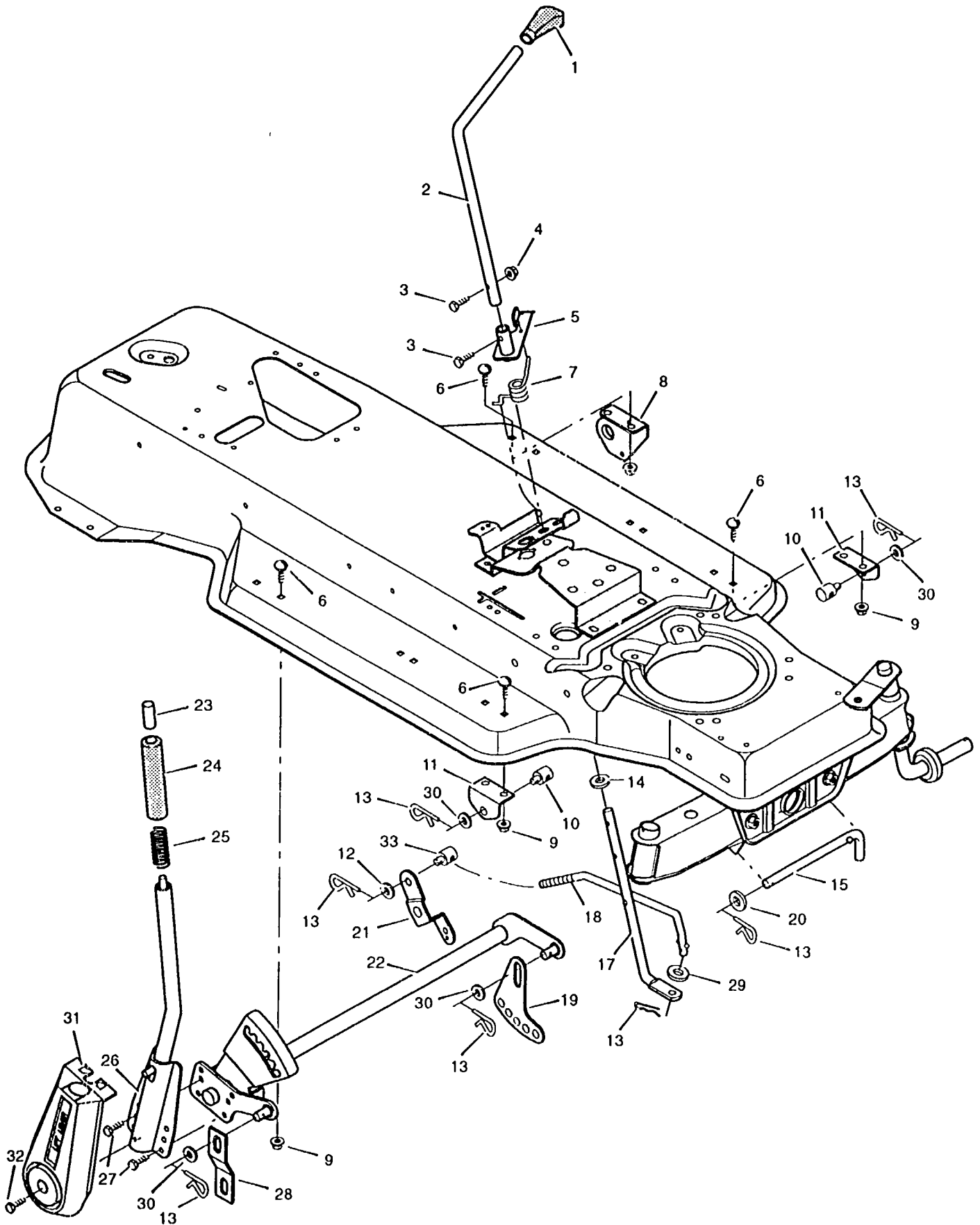
MODEL 40815x70A

REPAIR PARTS MOTION DRIVE

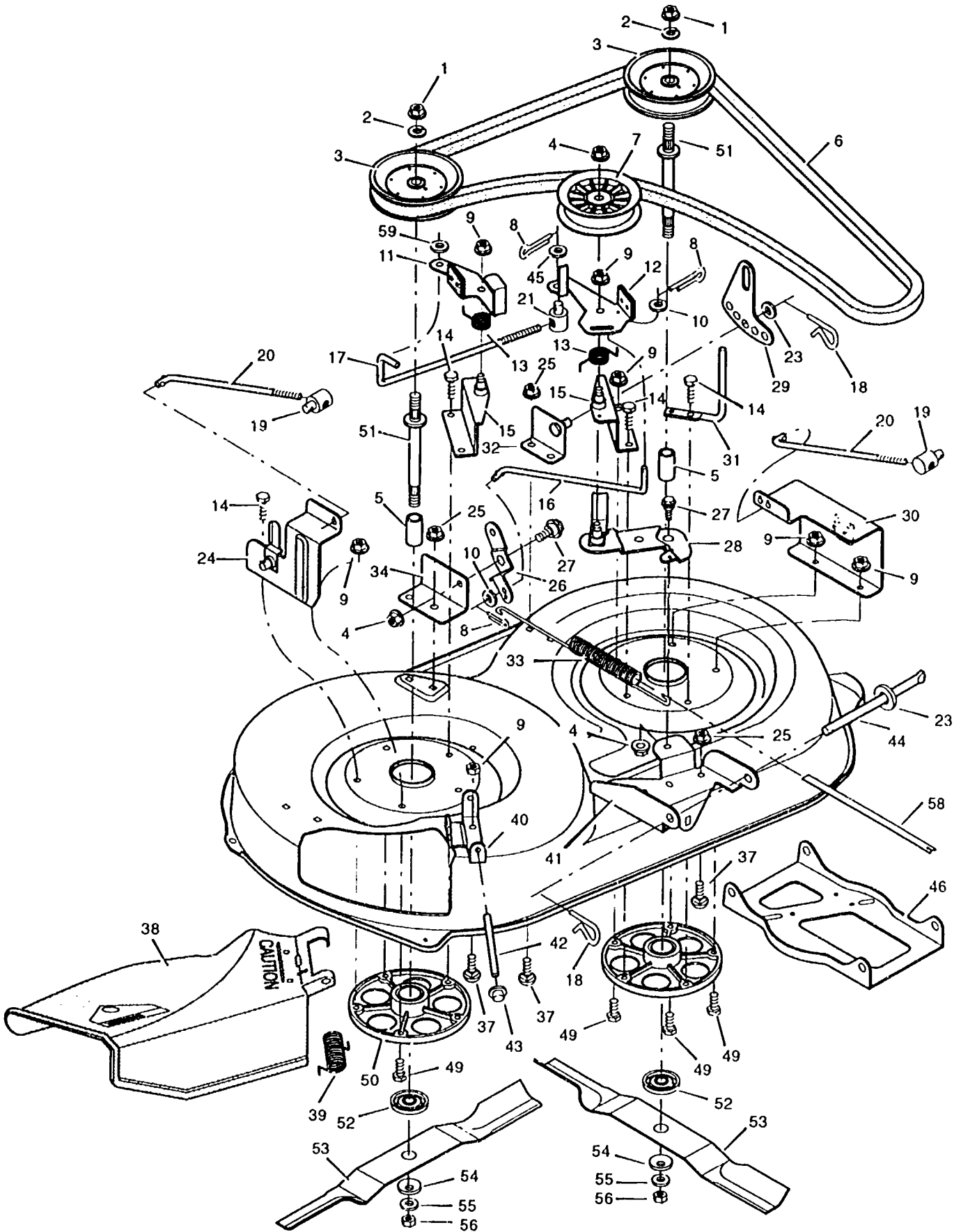
Key No.	Description	Part No.	Key No.	Description	Part No.
1	Grip	92697	34	Yoke, Shift	92041Z
3	Handle, Shift	92031SE	35	Bolt, Hex	1x145
4	Bolt, Shoulder	9x39	36	Lockwasher	18x32
5	Pin, Cotter	30x20	37	Washer	17x146Z
6	Washer	17x47Z	38	Pilot, Support	91889
7	Nut, Adjustable	21920	39	Bracket Assembly, Idler	92737Z
8	Shifter Assembly	92043E701	40	Spring, Motion Drive	165x76SE
9	Guide, Belt	91754	41	Ring, Retainer	11x7
10	Locknut, Flange	15x84	42	Pulley, Motion Drive	91807
11	Screw	26x249	43	Pulley, Backside Idler	91179
12	Link, Clutch	91877	44	Key, Woodruff	20697
14	Locknut, Flange	15x87	45	Transaxle, Complete Peerless Model No. 930-011**	_____
15	Washer	17x45	46	Bolt, Carriage	2x64
16	Link Assembly, Shifter	92085	47	Support, Transaxle	91804
17	Screw	26x249	48	Screw	26x216
18	Bracket, Support	91899Z	49	Locknut, Flange	15x88
19	Nut, Flange	15x79	50	Key, Square	21553
20	Bolt, Hex	1x124	51	Washer	17x160
21	Grip	92724	52	Spacer, Transaxle	87x100Z
22	Rod, Control	91727 Z	53	Tire (Included with Key No. 54) *	91914
23	Screw	26x214	—	Tube (Included with Key No. 54)	407049
24	Guide, Bracket	91825 Z	54	Wheel and Tire Assembly	92289-601
25	Frame Assembly	92515E245	55	Valve Stem	24373
26	Pedal, Clutch/Brake	21544	56	Washer	17x115
27	Lever Assembly	91862E700	57	E-Ring	11x3
28	Belt, Motion Drive	37x61	58	Washer	17x53Z
29	Bracket, Lever Support	91713E700	59	Hub Cap (Optional)	24582
30	Latch, Park Brake	91712Z	60	Plate, Belt Guide	92694E701
31	Spring, Brake Extension	165x82	61	Guide, Belt	20619
32	Rod, Clutch	91808Z			
33	Washer	17x148			

* When you order a tire, make sure to give the brand name of the tire so that the tread pattern on the tire will match.

** Parts are available from a Tecumseh Authorized Service Center. See "Engines, Gasoline" or "Gasoline Engines" in the yellow pages of the telephone directory.



Key No.	Description	Part No.
1	Grip	92698
2	Control, Blade Rotation	92238Z
3	Bolt, Hex	25x3
4	Locknut, Hex	15x67
5	Lever Assembly, Switch	91917E700
6	Bolt, Carriage	2x53
7	Spring, Torsion	166x32
8	Bracket, Rear Hanger	92066E700
9	Nut, Flange	15x79
10	Nut, Adjusting	92131SE
11	Bracket, Adjuster Rod	92133SE
12	Washer	17x124
13	Pin, Hair	31x4
14	Washer	17x122
15	Pin, Pull	90827Z
17	Lever, Lower Blade Control	91787E700
18	Rod, Blade Control	91795Z
19	Plate, Adjuster	91741E701
20	Washer	17x103
21	Bracket, Pivot	92033SE
22	Lifter Assembly	92065E700
23	Button, Push	92572
24	Grip	91398
25	Spring, Compression	164x21
26	Handle Assembly	91823SE
27	Screw	26x49
28	Link, Suspension	92064E700
29	Washer	17x47Z
30	Washer	17x91Z
31	Cover, Lift Lever (Optional)	92157
32	Screw	26x263
33	Nut, Adjusting	21920



MODEL 40815x70A

REPAIR PARTS MOWER HOUSING

Key No.	Description	Part No.	Key No.	Description	Part No.
1	Nut, Hex	15x100	30	Cover, Pulley	91792E700
2	Lockwasher	18x33	31	Guide, Belt	91797 Z
3	Pulley, Jackshaft	91943	32	Bracket Assembly, Left Lifter	91813E701
4	Locknut, Flange	15x84	33	Spring, Extension	165x72
5	Spacer	91903	34	Bracket, Pivot	91743E701
6	Belt, Blade Drive	37x62	35	Plate	91770E701
7	Pulley, Idler	91801	36	Washer	17x57
8	Pin, Cotter	30x20	37	Bolt, Carriage	2x53
9	Locknut, Flange	15x88	38	Deflector Assembly, Chute	92465SE
10	Washer	17x46Z	39	Spring, Torsion	166x4
11	Brake Assembly, Right	92183SE	40	Bracket, Hinge	91765E700
12	Brake Assembly, Left	92183SE	41	Bracket, Front Hanger	91875E700
13	Spring, Torsion	166x27	42	Rod, Deflector	91767Z
14	Bolt, Hex	25x7	43	Cap, Push On	28x23
15	Bracket Assembly, Brake	92072SE	44	Rod, Hanger	91739Z
16	Rod, Brake	91745Z	45	Washer	17x124
17	Rod, Cross Link	92183SE	46	Hanger, Front	92119SE
18	Pin, Hair	31x4	49	Bolt, Hex	1x84
19	Nut, Adjustable	92131SE	50	Housing, Jackshaft	92574
20	Rod, Adjuster	91872Z	51	Jackshaft	91922
21	Nut, Adjustable	21920	52	Adapter, Blade	92466
22	Link, Suspension	92064E700	53	Blade, 40" (2 required)	92002E701
23	Washer	17x103	54	Washer, Belleville	17x166
24	Bracket Assembly, Right Lifter	92194E700	55	Washer	17x165
25	Nut, Flange	15x79	56	Nut, Hex	15x100
26	Bracket, Pivot	92033SE	58	Indicator, Plastic	92163
27	Bolt, Carriage	9x39	59	Washer	17x48
28	Arm Assembly, Idler	92032SE	60	Housing, Blade	91907E700
29	Plate, Adjuster	91741E701	1-60	Complete Mower Housing Assembly	403229