

# STIGA

## TORNADO 2098 (2018)

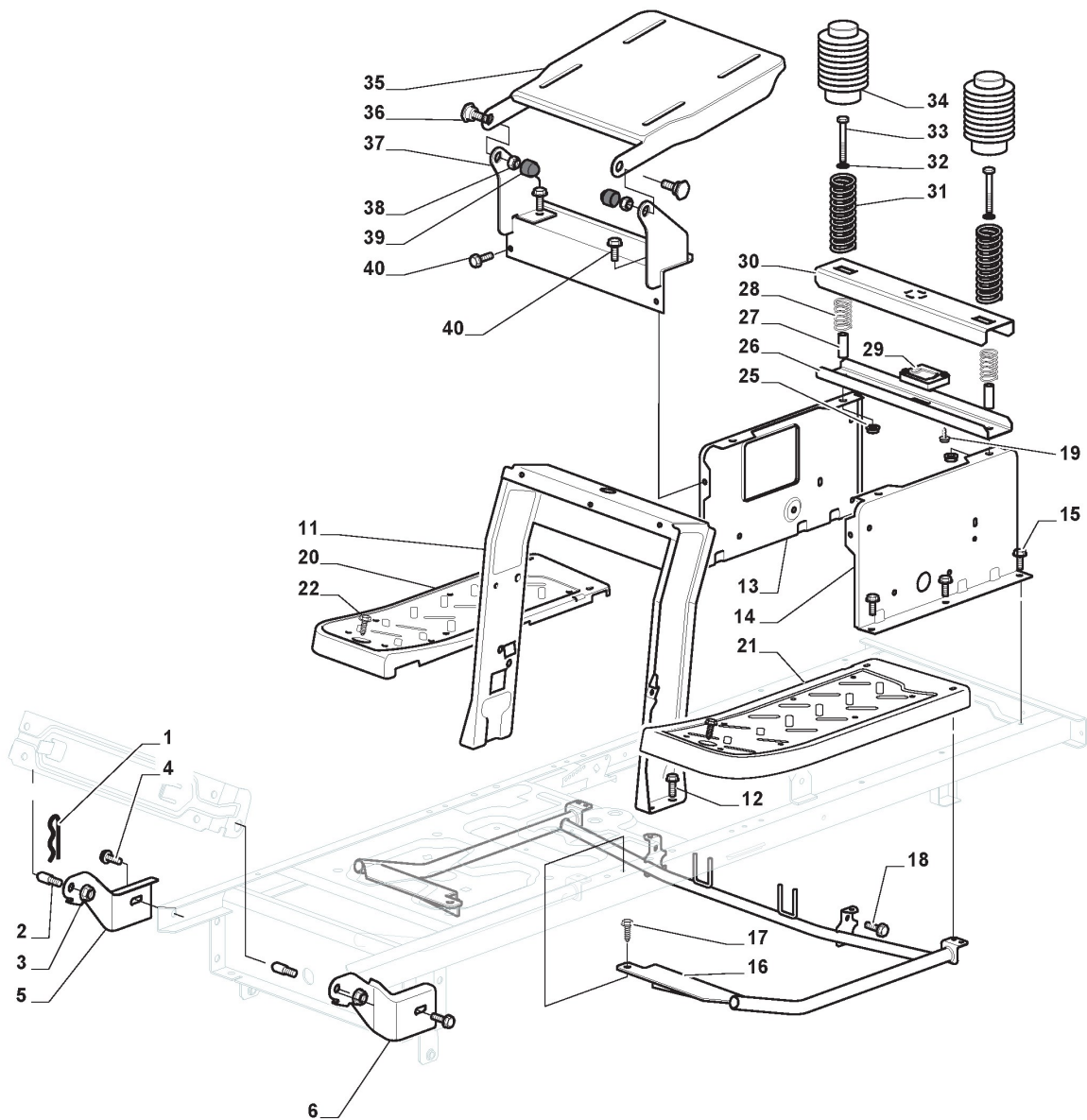
2T0510481/ST1

### Spare parts list Reservdelar Repuestos Ersatzteile Pièces détachées Reserve onderdelen Catalogo ricambi



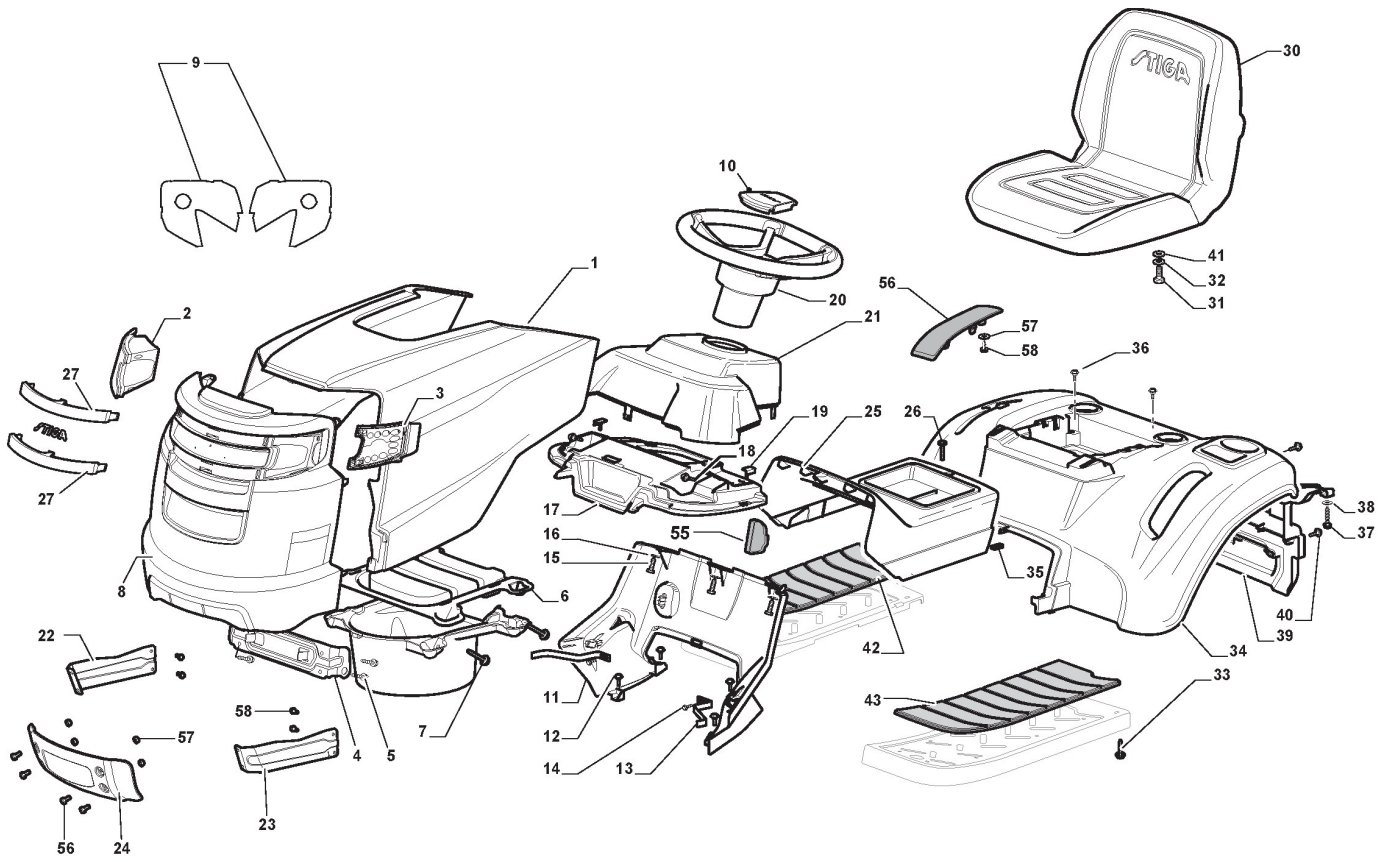
- Use ST. S.p.A. Genuine Spare Parts specified in the parts list for repair and/or replacement.
- The contents described in the parts list may change due to improvement.
- The drawings of the spare parts are only indicative And might Not represent the part in question exactly.
- The indications "right" - "left" - "front" - "rear" refer to the position of the operator when using the machine.
- When placing orders of parts for repair And/Or replacement, make sure that the illustrated parts list Is the one applying to the machine's year of manufacture, as shown on the identification plate attached to the machine.

All rights reserved. No part Of this material may be reproduced Or transmitted, in any form Or by any means, electronic Or mechanical, including photocopying, recording Or by any information storage And retrieval system, without permission in writing from ST. S.p.A.



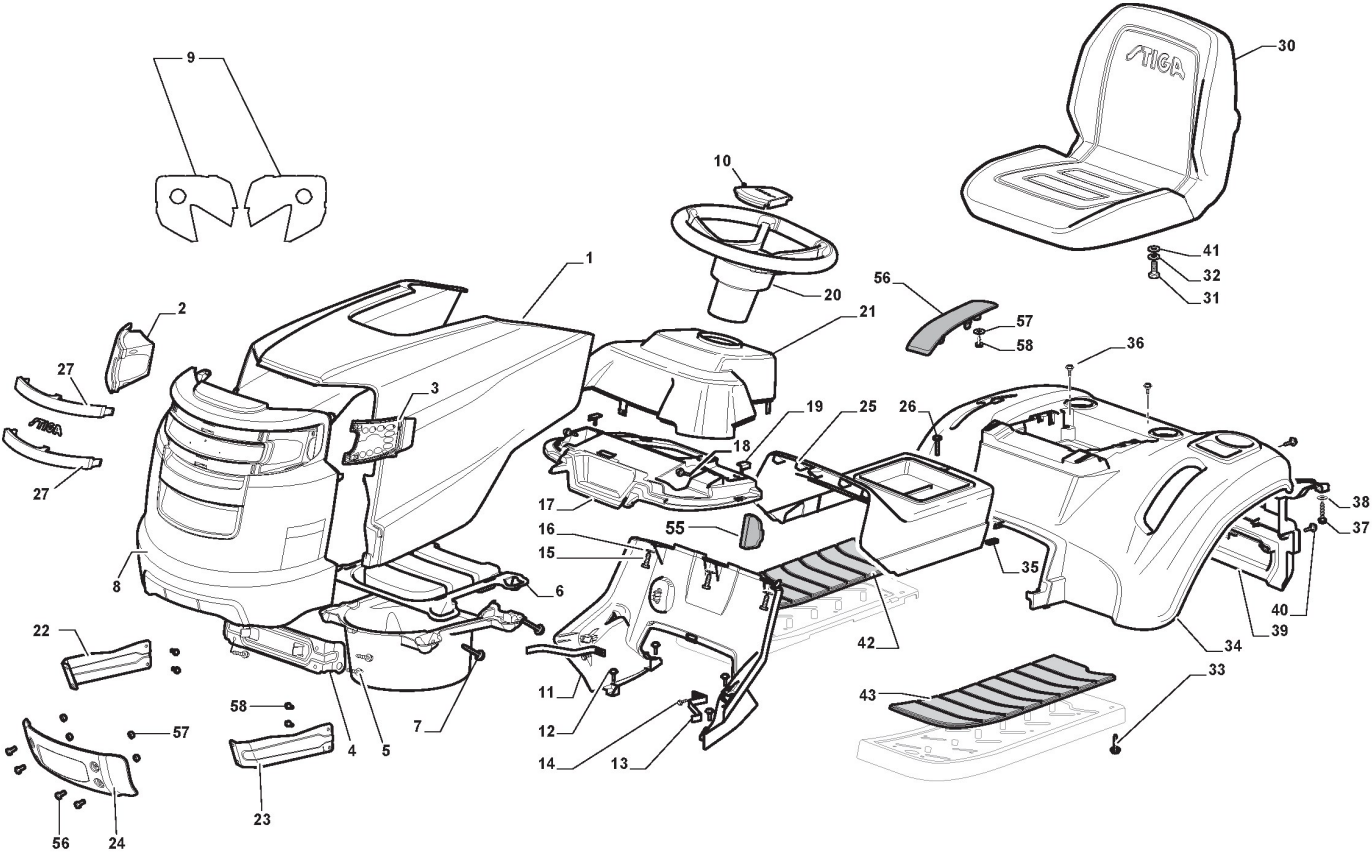
# Chassis

Ref.nr.	Antal	Komponentkode	Beskrivelse	Noter	From	Op til
1	1	124487998/0	Cotter Pin			
2	2	125510079/1	Pin	To S/N 19LA3RON002089		
2	2	125510169/0	Pin	From S/N 19DA3RON003315		
3	2	112154210/0	Nut	To 31-August-2013		
3	2	112155000/0	Nut	From 01-September-2013		
4	2	112735599/0	Screw			
5	1	325547225/0	Right Plate			
6	1	325547227/0	Left Plate			
11	1	382785169/1	Steering Column Support			
12	4	125943009/0	Screw			
13	1	325785331/1	Right Seat Support			
14	1	325785333/1	Left Seat Support			
15	6	125943009/0	Screw			
16	1	382785179/0	Footboard Support			
17	2	125943009/0	Screw			
18	2	125943009/0	Screw			
19	2	112728686/0	Screw			
20	1	325500041/1	Right Footboard			
21	1	325500043/1	Left Footboard			
22	2	112735599/0	Screw			
25	2	112293201/0	Nut			
26	1	325820109/0	Seat Support			
26	1	325820109/1	Seat Support			
27	2	125160048/0	Spacer			
28	2	125430263/0	Spring			
29	1	325785379/0	Support	To 31-August-2013		
29	1	325785379/1	Support	From 01-September-2013		
30	1	325820111/1	Switch Comand Cross			
31	2	125430264/0	Spring			
32	2	112521350/0	Washer			
33	2	112691400/0	Screw			
34	2	325122002/0	Hood			
35	1	382547061/0	Plate			
36	2	122524970/2	Fulcrum Pin	To 31-August-2014		
36	2	122524970/3	Pin	From 01-September-2014		
37	1	382820151/0	Seat Support			
38	2	112155010/0	Nut			
39	2	118203854/0	Cap			
40	4	125943009/0	Screw			



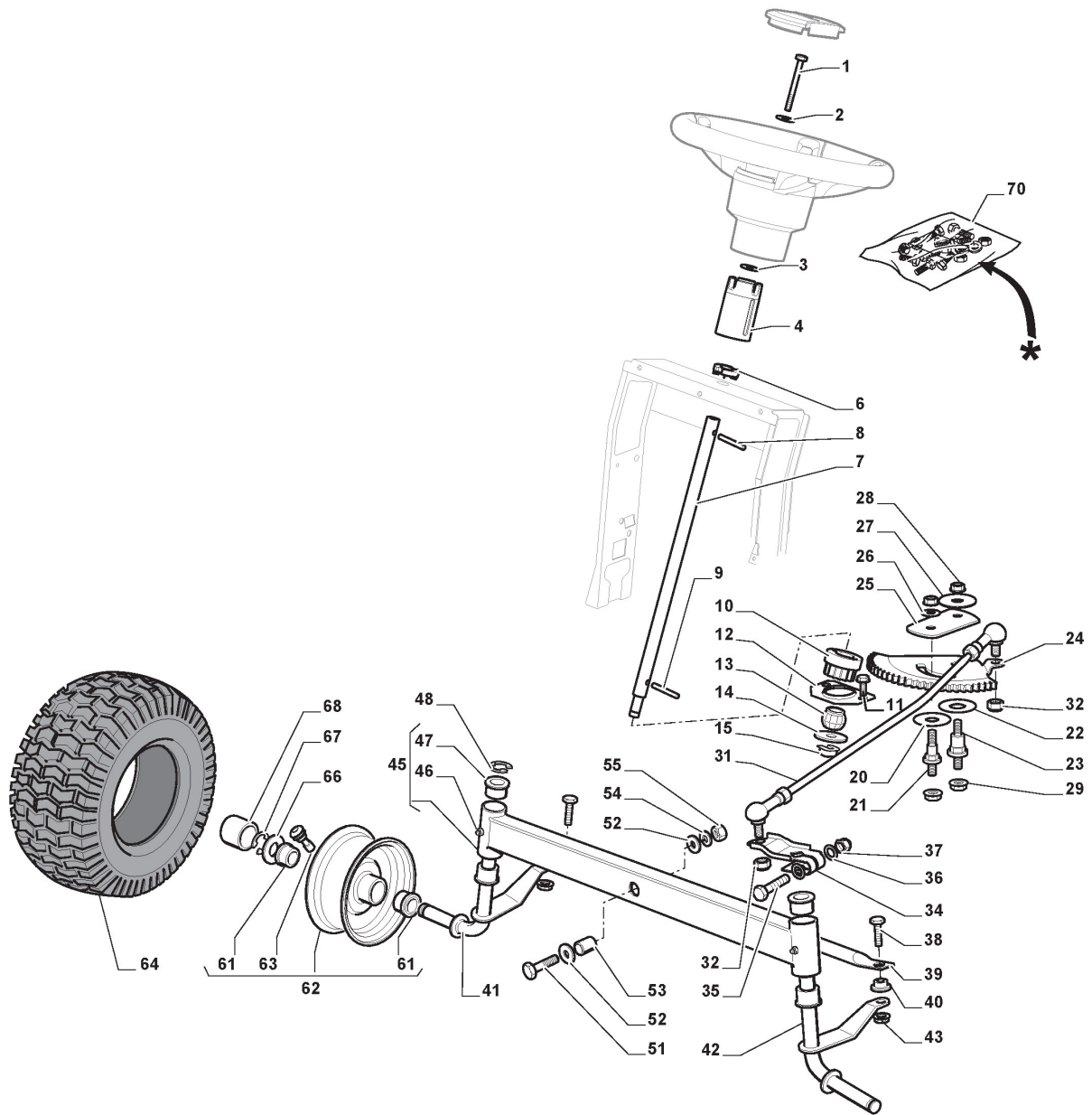
# Body

Ref.nr.	Antal	Komponentkode	Beskrivelse	Noter	From	Op til
1	1	325076912/0	Engine Hood Yellow	To 31-August-2017		
1	1	325076912/1	Engine Hood Yellow	From 01-September-2017		
2	1	382185506/0	Right Led Light			
3	1	382185507/0	Left Led Light			
4	1	325785365/0	Engine Hood Support			
5	4	112735403/0	Screw			
6	1	325263310/0	Air Intake Grill			
7	4	112728692/0	Screw			
8	1	325076954/0	Frontal Hood			
9	2	114365477/0	Light Reflected Label	Only for Lamp Version		
10	1	325580508/0	Steering Plate Cover			
11	1	325785298/0	Dashboard Support			
12	4	125943010/0	Screw			
13	2	325270325/0	Guide			
14	2	112735599/0	Screw			
15	3	112735406/0	Screw			
16	3	112523040/0	Washer			
17	1	325120209/0	Dashboard	To 31-August-2014		
17	1	325120259/0	Dashboard	From 01-September-2014 To 31-August-2015		
17	1	325120259/1	Dashboard	From 01-September-2015 To 31-August-2017		
17	1	325120259/2	Dashboard	From 01-September-2017		
18	2	125943010/0	Screw			
19	2	325260003/0	Grommet			
20	1	325961221/1	Steering wheel			
21	1	325120203/0	Cover			
22	1	382785255/0	Right Support			
23	1	382785257/0	Left Support			
24	1	382263501/0	Bumper			
25	1	325110463/0	Grey Central Cover			
26	1	125943010/0	Screw			
27	2	325076955/0	Frontal Moulding			
30	1	125722477/0	Seat			
31	4	112792611/0	Screw			
32	4	112540260/0	Washer			
33	4	112735406/0	Screw			
34	1	325110399/0	Yellow Wheels Cover	To 31-August-2017		
34	1	325110399/1	Yellow Wheels Cover	From 01-September-2017		
35	1	112437506/0	Plate			
36	2	125943010/0	Screw			
37	2	112735406/0	Screw			
38	2	112523040/0	Washer			
39	1	325547208/2	Plate			
40	2	125943010/0	Screw			
41	4	112523060/0	Washer			
42	1	325110384/0	Right Footboard Cover	AS OPTIONAL - Not present on all Assortment		
43	1	325110385/0	Left Footboard Cover	AS OPTIONAL - Not present on all assortment		



# Body

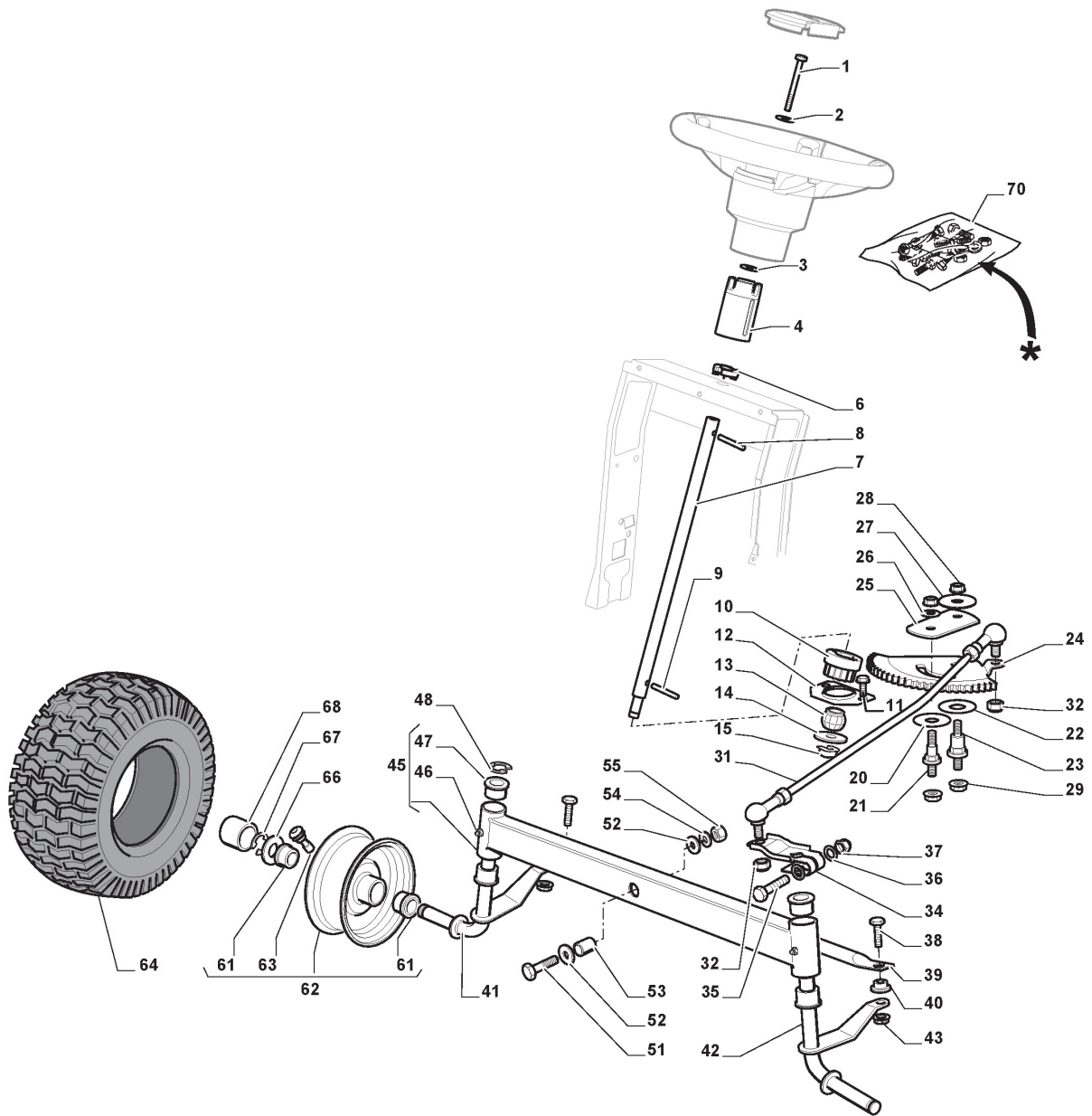
Ref.nr.	Antal	Komponentkode	Beskrivelse	Noter	From	Op til
55	1	325207191/0	Plate	Not needed for Hydro Model		
56	4	112792611/0	Screw			
57	4	112155000/0	Nut			
58	4	112735599/0	Screw			





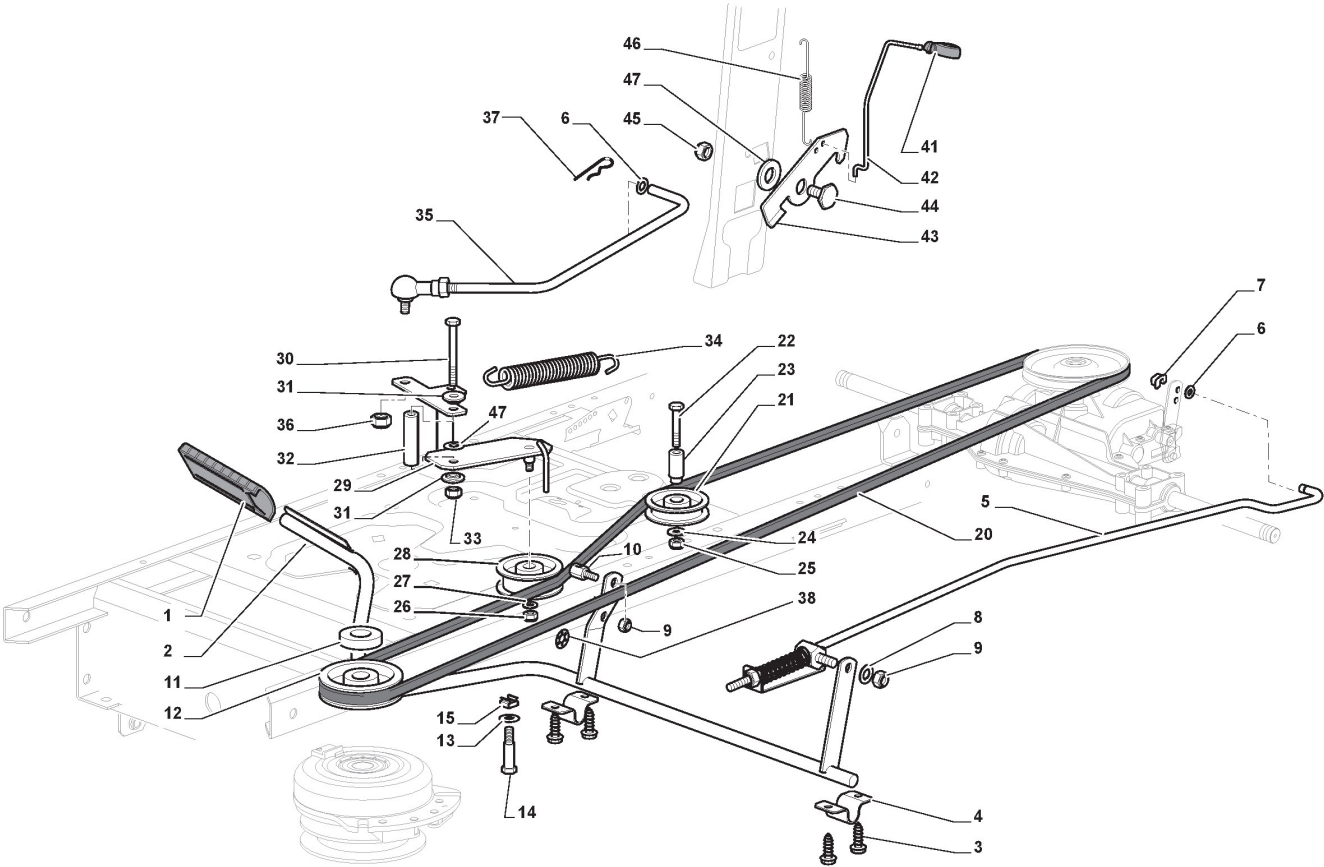
# Steering

Ref.nr.	Antal	Komponentkode	Beskrivelse	Noter	From	Op til
1	1	112692050/0	Screw			
2	1	112540260/0	Washer			
3	1	112523070/0	Washer			
4	1	382785266/0	Support			
6	1	325038008/0	Bushing			
7	1	125520007/0	Steering Column			
8	1	112620300/0	Spring			
9	1	112622650/0	Dowel pin			
10	1	125570003/0	Pinion			
11	2	127943051/0	Screw			
12	1	325785213/1	Support			
13	1	325743000/0	Joint			
14	1	112521370/0	Washer			
15	1	112436030/0	Plate			
20	1	322672151/0	Antifriction Washer			
21	1	125510104/0	Pin	To S/N 19LA3RON007423		
21	1	125510173/0	Pin	From S/N 19GA3RON000127		
22	1	125670023/0	Washer			
23	1	125510109/0	Pin	To S/N 19KA3RON007494		
23	1	125510165/0	Pin	From S/N 19FA3RON000287		
24	1	325735519/0	Steering Sector			
25	1	325547233/0	Plate			
26	1	112369500/0	Elastic Washer			
27	1	122160400/0	Elastic Disc			
28	2	112155010/0	Nut			
29	2	112155010/0	Nut			
31	1	382000566/2	Steering Rod			
32	2	112156602/0	Nut			
34	1	325318243/0	Lever	To 16-June-2019		
34	1	382318323/0	Steering Control Lever	From 17-June-2019		
35	1	112692390/0	Screw	To 16-June-2019		
35	1	112692395/2	Screw	From 17-June-2019		
36	2	112521360/0	Washer	No more needed from 17.06.2019		
37	1	112155020/0	Nut	From 17-June-2019		
37	1	112156602/0	Nut	To 16-June-2019		
38	2	125510103/0	Pin			
39	1	325840029/0	Tie Rod			
40	2	325038007/0	Bushing			
41	1	382230373/0	Right Stub Axle	To 31-March-2019		
41	1	382230373/1	Right Stub Axle	From 01-April-2019		
42	1	382230375/0	Left Stub Axle	To 31-March-2019		
42	1	382230375/1	Left Stub Axle	From 01-April-2019		
43	2	112155000/0	Nut			
45	1	382034030/0	Equalizer With Bush And Lubricator			
46	2	112379511/0	Grease Dispenser			
47	4	125034002/1	Bushing			
48	1	112001010/0	Benzing Ring			



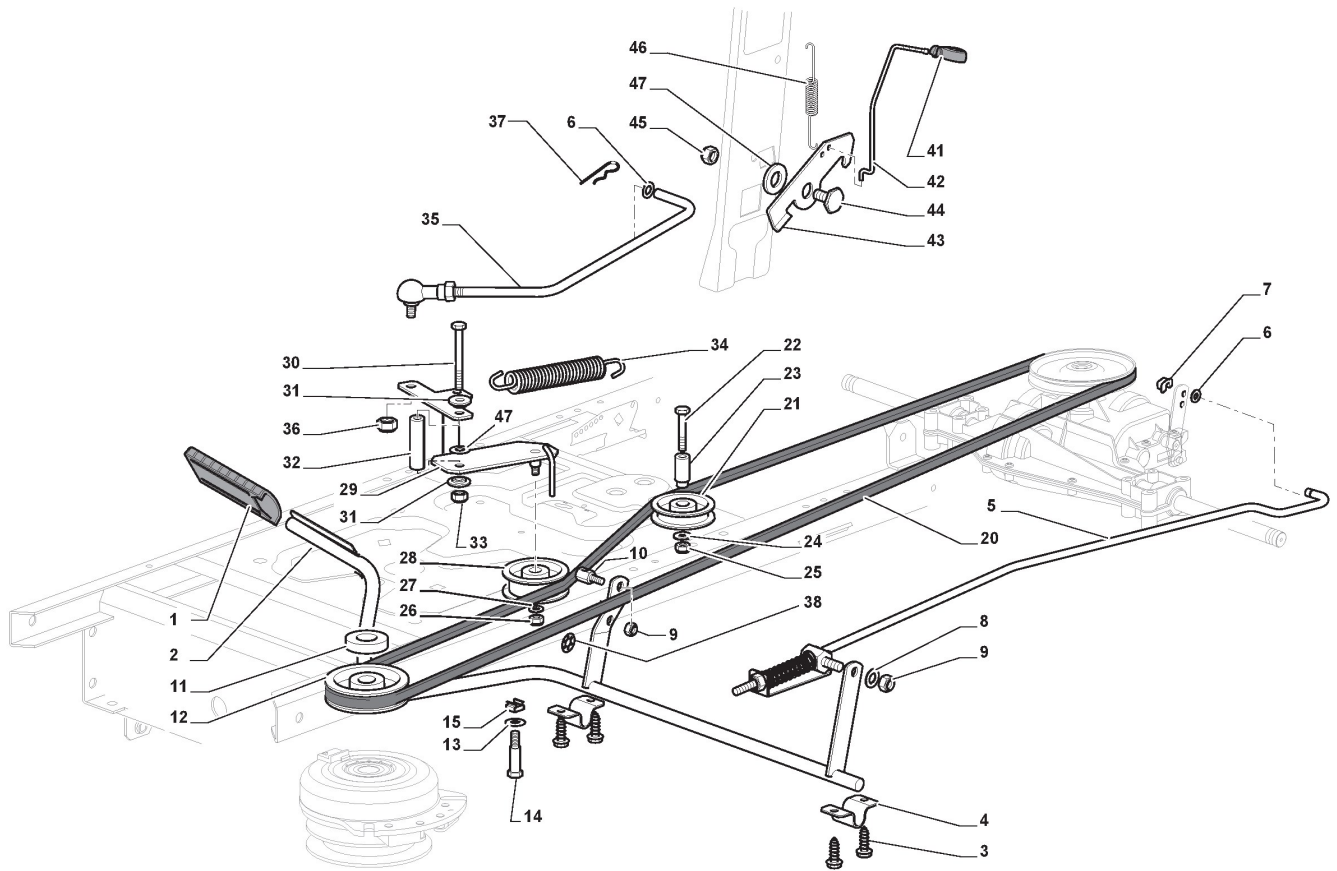
## Steering

Ref.nr.	Antal	Komponentkode	Beskrivelse	Noter	From	Op til
51	1	112692695/0	Screw			
52	2	112523100/0	Washer			
53	1	125160016/0	Spacer	To 31-August-2013		
53	1	125160016/1	Spacer	From 01-September-2013		
54	1	112587100/0	Grower			
55	1	112295300/0	Nut			
61	4	125122200/2	Bearing			
62	2	182000598/0	Rimm			
63	2	125950000/0	Valve			
64	2	125590020/0	Tyre	For Stiga Models		
66	2	125670005/1	Washer	To 31-August-2014		
66	2	125670005/2	Washer	From 01-September-2014		
67	2	112001010/0	Benzing Ring			
68	2	322110240/0	Hub Cap			
70	1	382180124/0	Outfit, Screws			



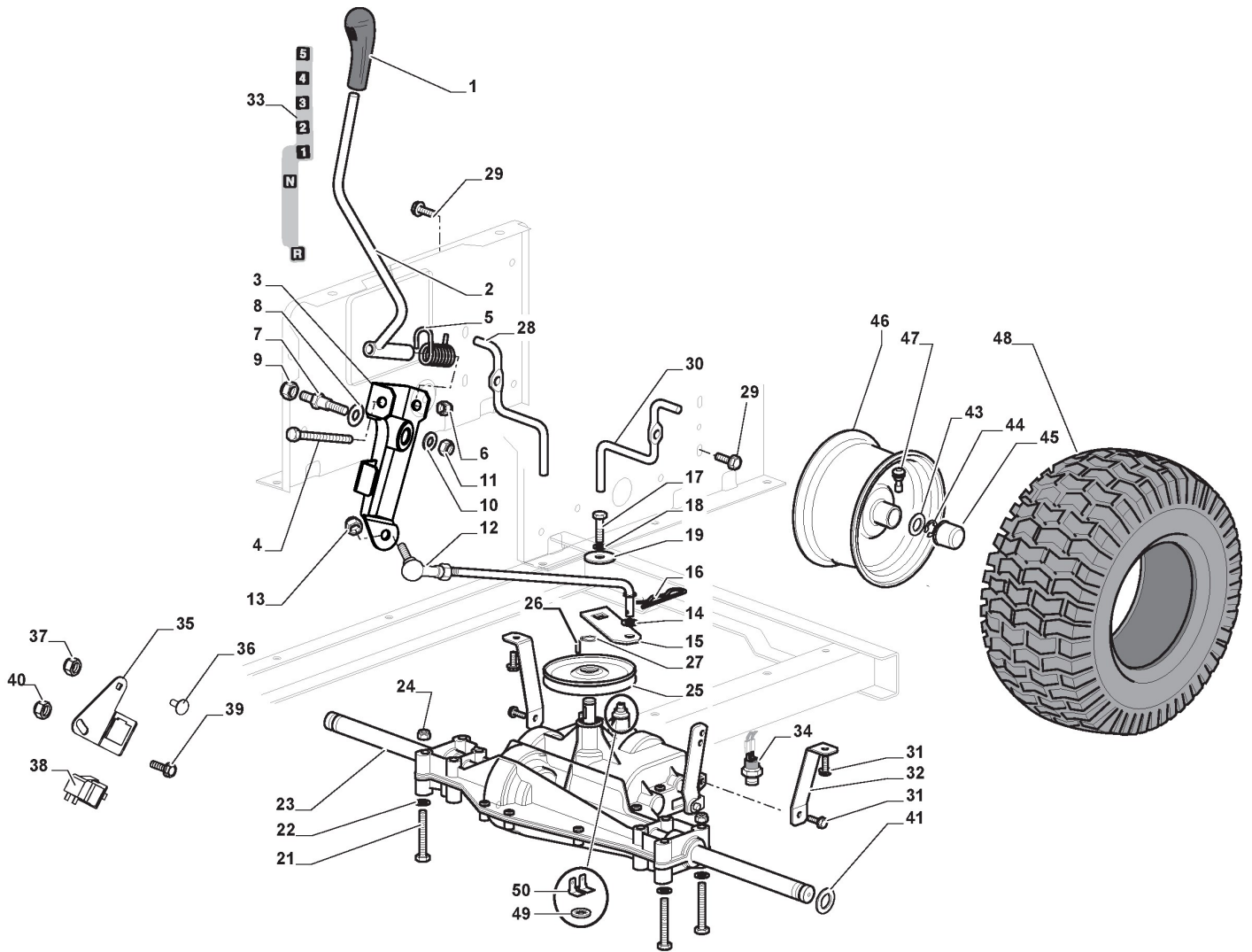
## Brake And Gearbox Controls

Ref.nr.	Antal	Komponentkode	Beskrivelse	Noter	From	Op til
1	1	325110391/0	Clamp Cover			
2	1	382500047/0	Pedal	To 31-August-2014		
2	1	382500047/1	Pedal	From 01-September-2014 To 31-March-2019		
2	1	382500047/2	Pedal	From 01-April-2019		
3	4	112735599/0	Screw			
4	2	325547231/0	Plate			
5	1	382000568/0	Rod			
6	2	112521350/0	Washer			
7	1	112436050/0	Plate			
8	1	325670011/0	Antifriction Washer			
9	1	112155000/0	Nut			
10	1	125510116/0	Pin	To S/N 19DA3RON003314		
10	1	125510166/0	Pin	From S/N 19DA3RON003315		
11	1	125160021/0	Spacer			
12	1	125601567/0	Pulley			
13	2	112524010/0	Washer			
14	2	125580030/0	Belt Guide Peg			
15	2	112360425/0	Nut			
20	1	135062014/0	Belt			
21	1	125601555/0	Pulley	To 31-August-2013		
21	1	325601599/0	Pulley	From 01-September-2013		
22	1	112691400/0	Screw			
23	1	125160051/0	Spacer	To S/N 00088193		
23	1	125160083/0	Spacer	From S/N 00088194 To S/N 19LA3RON001058		
23	1	125160107/0	Spacer	From S/N 19JA3RON001862		
24	1	112523060/0	Washer			
25	1	112155000/0	Nut			
26	1	112155000/0	Nut			
27	1	112523060/0	Washer			
28	1	125601554/0	Pulley			
29	1	382318283/0	Lever			
30	1	112691600/0	Screw			
31	2	125038002/1	Bushing	To 31-August-2016		
31	2	125038021/0	Bushing	From 01-September-2016		
32	1	125160027/0	Spacer			
33	1	112155000/0	Nut			
34	1	125430262/0	Spring			
35	1	382820016/1	Tie Rod			
36	1	112293201/0	Nut			
37	1	112521350/0	Washer	To 31-August-2013		
37	1	124487997/0	Cotter Pin	From 01-September-2013		
38	1	112604899/0	Crown Fastener			
41	1	125394509/1	Knob	From 01-September-2013		
41	1	325394534/0	Knob	To 31-August-2013		
42	1	125033083/0	Rod	To 31-August-2013		
42	1	125033113/0	Rod	From 01-September-2013		
43	1	325253011/1	Hook			



## Brake And Gearbox Controls

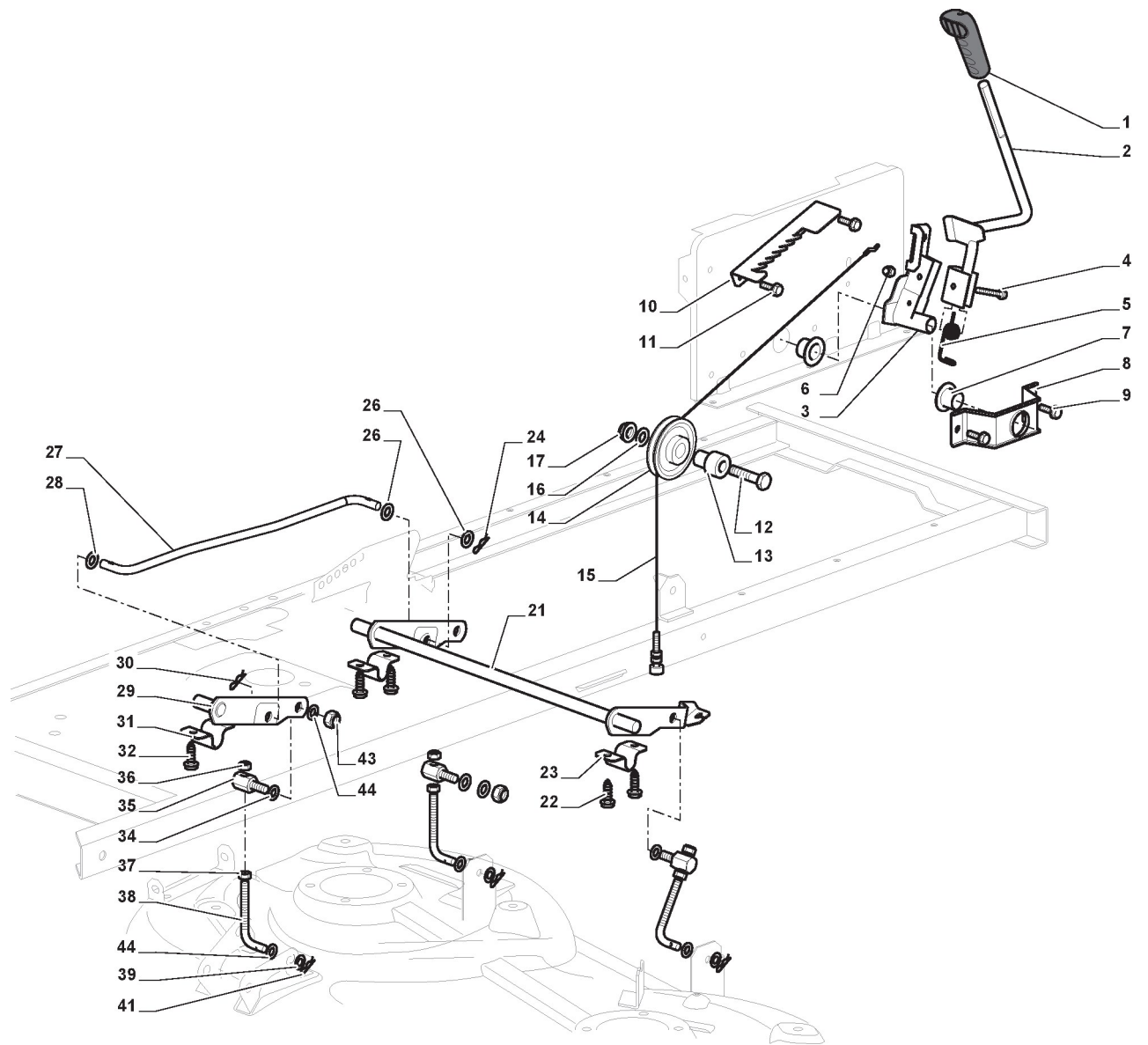
Ref.nr.	Antal	Komponentkode	Beskrivelse	Noter	From	Op til
44	1	122524970/2	Fulcrum Pin	To 31-August-2014		
44	1	122524970/3	Pin	From 01-September-2014		
45	1	112155000/0	Nut			
46	1	125430213/0	Spring			
47	1	112523060/0	Washer			





# Transmission

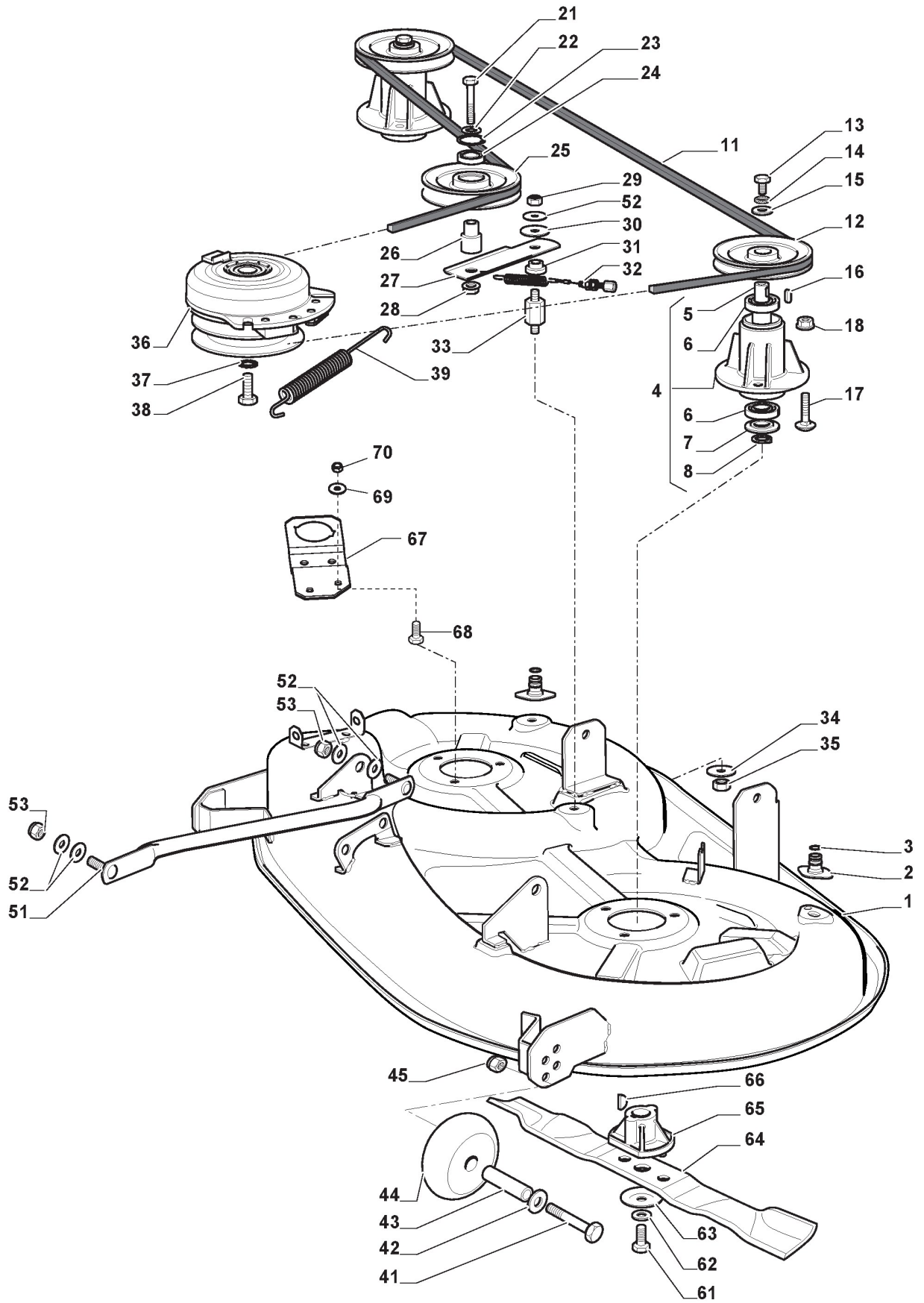
Ref.nr.	Antal	Komponentkode	Beskrivelse	Noter	From	Op til
1	1	325394532/0	Knob			
2	1	382318233/0	Lever			
3	1	382774259/1	Clamp			
4	1	112692050/0	Screw			
5	1	125430226/0	Spring			
6	1	112155000/0	Nut			
7	1	125510035/0	Pin			
8	1	322672151/0	Antifriction Washer			
9	1	112293201/0	Nut			
10	1	112523060/0	Washer			
11	1	112155010/0	Nut			
12	1	382000567/0	Rod			
13	1	112154210/0	Nut			
14	1	112521340/0	Washer			
15	1	325318235/0	Lever			
16	1	112141418/0	Cotter Pin			
17	1	112735520/0	Screw			
18	1	112540040/0	Washer			
19	1	322680009/0	Washer			
21	4	112691600/0	Screw			
22	4	112521350/0	Washer			
23	1	118400910/3	Transmission			
24	4	112155000/0	Nut			
25	1	182601509/0	Pulley			
26	1	112139430/0	Key			
27	1	112608950/0	Seeger			
28	1	125270329/0	Belt Guide			
29	2	112735599/0	Screw			
30	1	125270330/0	Belt Guide			
31	4	125943009/0	Screw			
32	2	325785315/0	Support			
33	1	114363451/0	Label			
34	1	119410608/1	Neutral Switch (Mech.)			
35	1	325785483/0	Support			
36	2	112815200/0	Screw			
37	2	112154510/0	Nut			
38	1	119410614/0	Microswitch			
39	2	112792611/0	Screw			
40	2	112155000/0	Nut			
41	2	125670005/2	Washer			
43	6	125670005/2	Washer			
44	2	112001010/0	Benzing Ring			
45	2	322110240/0	Hub Cap	Stiga Style		
46	2	382000597/0	Rimm			
47	2	125950000/0	Valve			
48	2	125590022/0	Tyre	Specific for Stiga Models		
49	2	112540221/0	Washer			
50	2	133800001/0	Faston Terminal	No more supplied with the transmission		



## Cutting Plate Lifting

Ref.nr.	Antal	Komponentkode	Beskrivelse	Noter	From	Op til
1	1	325394533/0	Knob			
2	1	382318229/0	Lever			
3	1	382318231/0	Axle			
4	1	112674700/0	Screw			
5	1	125430261/0	Spring			
6	1	112154510/0	Nut			
7	2	325038006/0	Bushing			
8	1	325785297/0	Support			
9	2	125943009/0	Screw			
10	1	325735515/0	Steering Sector			
11	2	125943009/0	Screw			
12	1	112793701/0	Screw			
13	1	125040636/1	Bushing			
14	1	125601579/0	Pulley			
15	1	382004620/0	Wire			
16	1	112523060/0	Washer			
17	1	112293201/0	Nut			
21	1	382318295/0	Axle	To 31-March-2019		
21	1	382318295/1	Lifting Axle	From 01-April-2019		
22	4	112735599/0	Screw			
23	2	325547231/0	Plate			
24	1	124487997/0	Cotter Pin			
26	2	325670010/0	Antifriction Washer			
27	1	125033109/0	Connecting Rod			
28	1	325670010/0	Antifriction Washer			
29	1	382318293/0	Axle	To 31-March-2019		
29	1	382318293/1	Axle	From 01-April-2019		
30	1	124487997/0	Cotter Pin			
31	1	325547231/0	Plate			
32	2	112735599/0	Screw			
34	3	325670008/1	Washer			
35	3	125510107/1	Pin	To S/N 19KA3RON005043		
35	3	125510170/0	Pin	From S/N 19EA3RON001208		
36	3	112156602/0	Nut			
37	3	112295200/0	Nut			
38	1	125840012/0	Tie Rod	To S/N 20BA3RON001428		
38	1	125840012/1	Tie Rod	From S/N 20BA3RON003001		
39	3	325670008/1	Washer			
41	3	124487998/0	Cotter Pin			
43	3	112156602/0	Nut			
44	6	112521360/0	Washer			

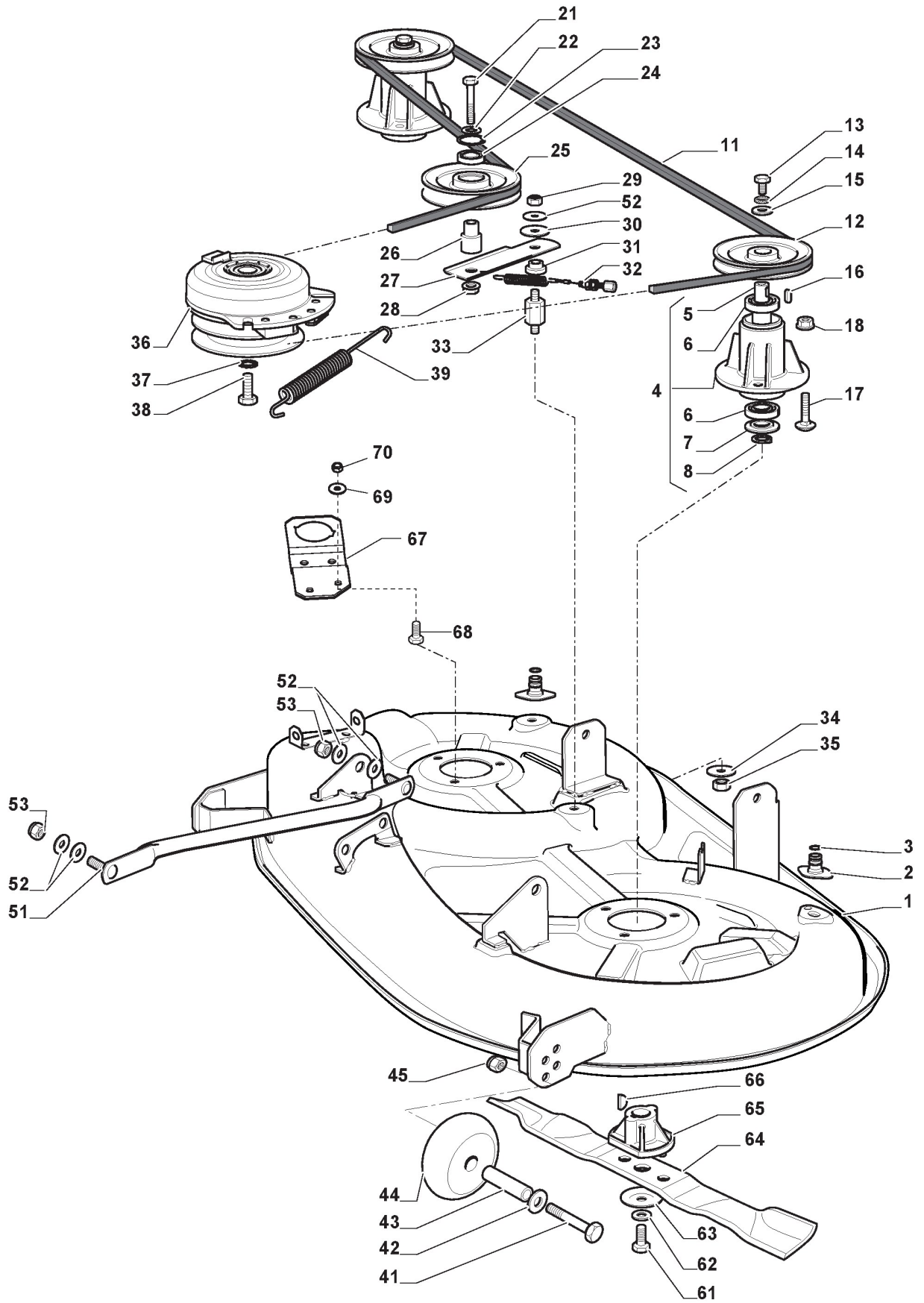
# Cutting Plate with Electromagnetic Clutch



## Cutting Plate with Electromagnetic Clutch

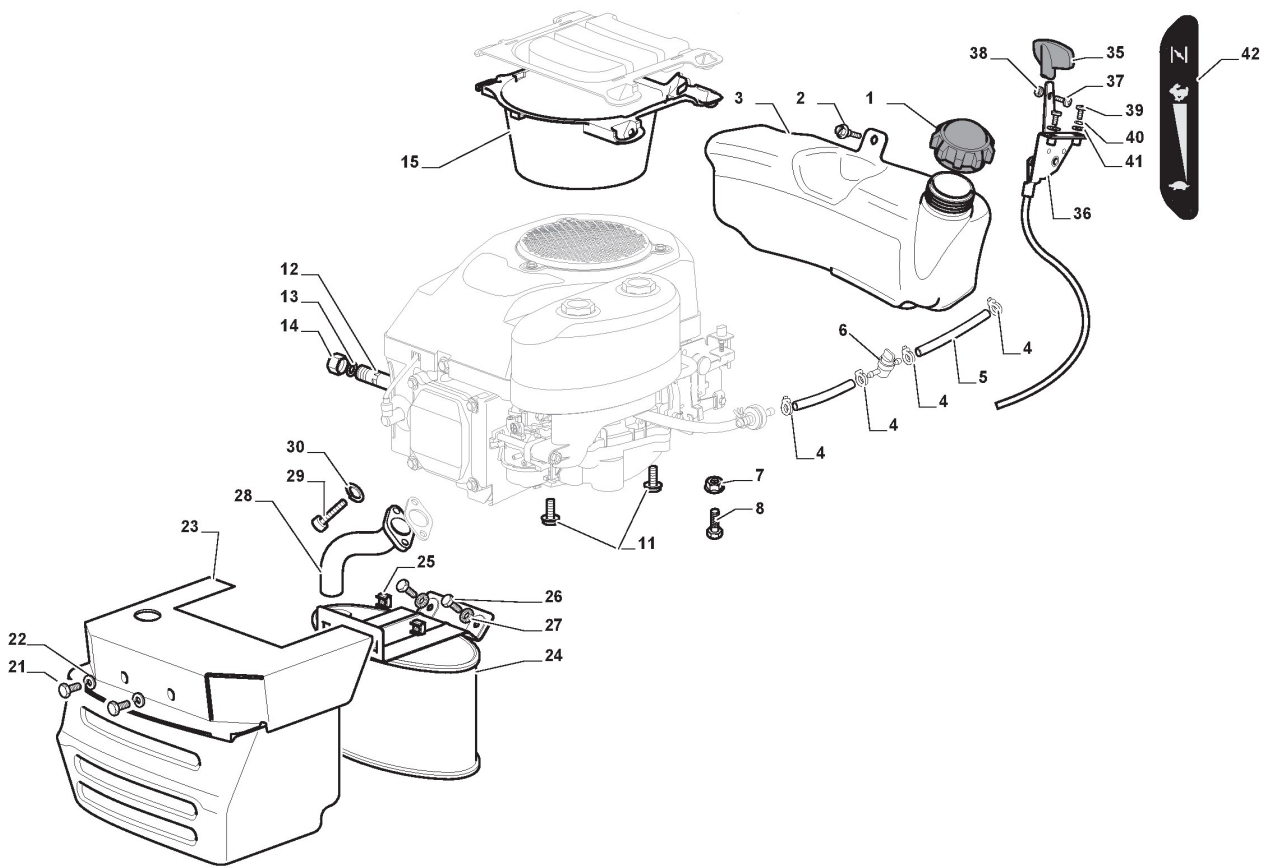
Ref.nr.	Antal	Komponentkode	Beskrivelse	Noter	From	Op til
1	1	382564219/2	Cutting Plate Grey	To 31-August-2018		
1	1	382564219/3	Cutting Plate Grey	From 01-September-2018		
2	2	325033086/0	Water Hose Connection			
3	2	119035000/0	Or Ring			
4	2	382207204/1	Flange Assy			
5	2	125020804/0	Shaft			
6	4	119216040/0	Bearing	To 31-August-2018		
6	4	119216047/0	Bearing	From 01-September-2018		
7	2	325160501/0	Dust Cover Disc	To 31-December-2018		
7	2	325160501/1	Dust Cover Disc	From 01-January-2019		
8	2	112609260/0	Seeger			
11	1	135061504/0	Belt			
12	2	125601571/0	Pulley			
13	2	112793102/0	Screw			
14	2	112540260/0	Washer			
15	2	125670007/0	Washer			
16	2	112139480/0	Feather			
17	6	112818700/0	Screw			
18	6	112154210/0	Nut			
21	1	112691900/0	Screw			
22	1	112524010/0	Washer			
23	1	112610800/0	Seeger			
24	1	119216048/0	Bearing			
25	1	125601586/0	Pulley	To 31-december-2016		
25	1	125601606/0	Pulley	From 01-January-2017		
26	1	125160056/0	Spacer			
27	1	325318232/0	Lever			
28	1	112293201/0	Nut			
29	1	112155020/0	Nut			
30	1	125670022/0	Washer			
31	1	125040635/0	Bushing			
32	1	382004618/0	Wire			
33	1	125160086/0	Spacer			
34	1	112523080/0	Washer			
35	1	112156602/0	Nut			
36	1	118399063/0	Electromagnetic Clutch			
37	1	112543000/0	Washer			
38	1	112737320/0	Screw			
39	1	125430277/0	Spring			
41	2	112692050/0	Screw			
42	2	112523060/0	Washer			
43	2	125510072/1	Pin			
44	2	182700001/0	Levelling Small Wheel			
45	2	112293201/0	Nut			
51	2	382000565/0	Equalizer Rod	To 31-August-2016		
51	2	382000565/1	Equalizer Rod	From 01-September-2016		
52	9	325670008/1	Washer			
53	4	112156602/0	Nut			

# Cutting Plate with Electromagnetic Clutch



## Cutting Plate with Electromagnetic Clutch

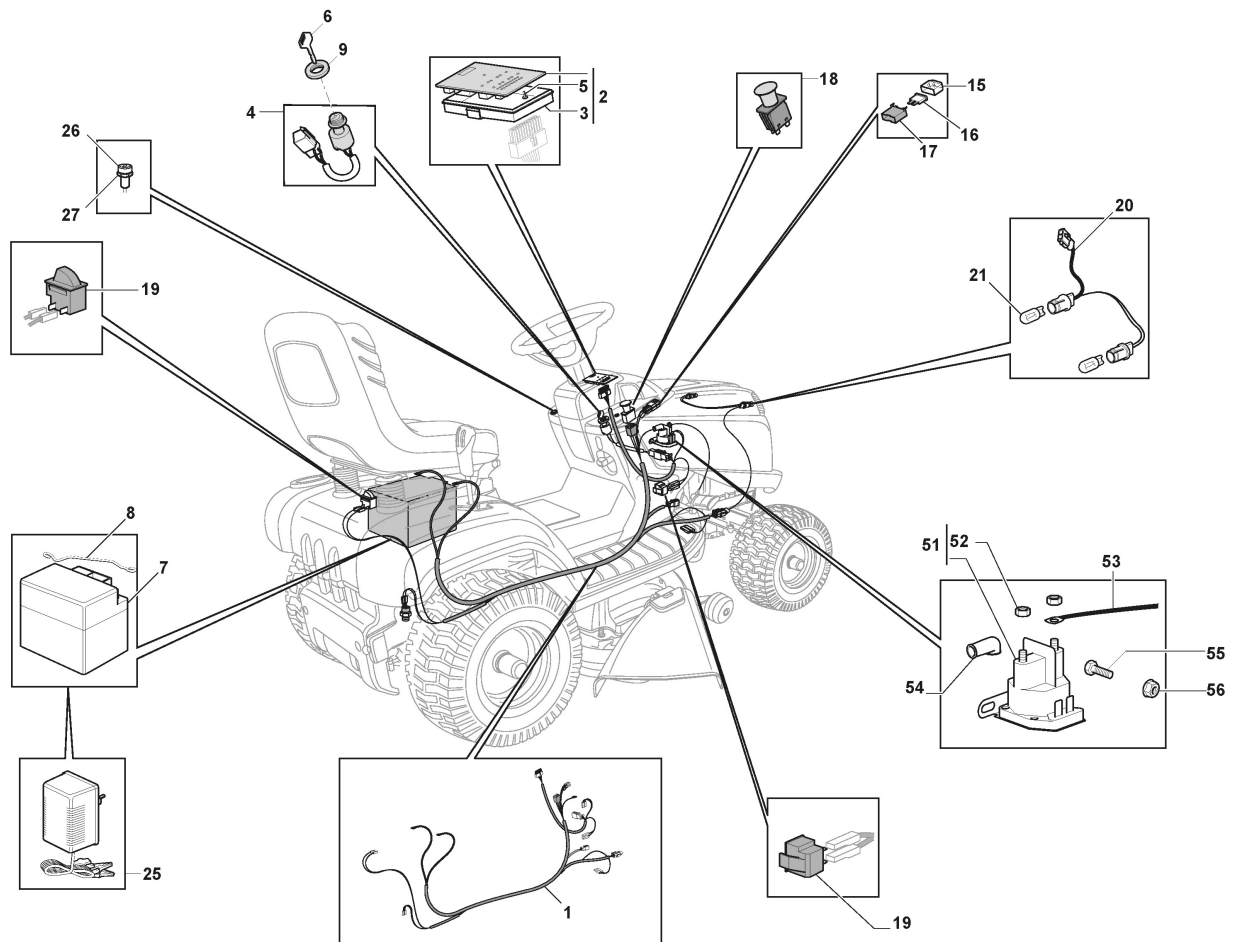
Ref.nr.	Antal	Komponentkode	Beskrivelse	Noter	From	Op til
61	2	112735694/0	Screw			
62	2	112523080/0	Washer			
63	2	122160400/0	Elastic Disc			
64	1	1134-9225-01	Mulching Blades	Stiga Packed into 182004346/0 (2pcs)		
65	2	1134-9159-01	Blade Holder	Stiga Packed into 125463200/0		
66	2	112139100/0	Key			
67	2	325774665/0	Bracket			
68	2	112793102/0	Screw			
69	2	112523060/0	Washer			
70	2	112154210/0	Nut			





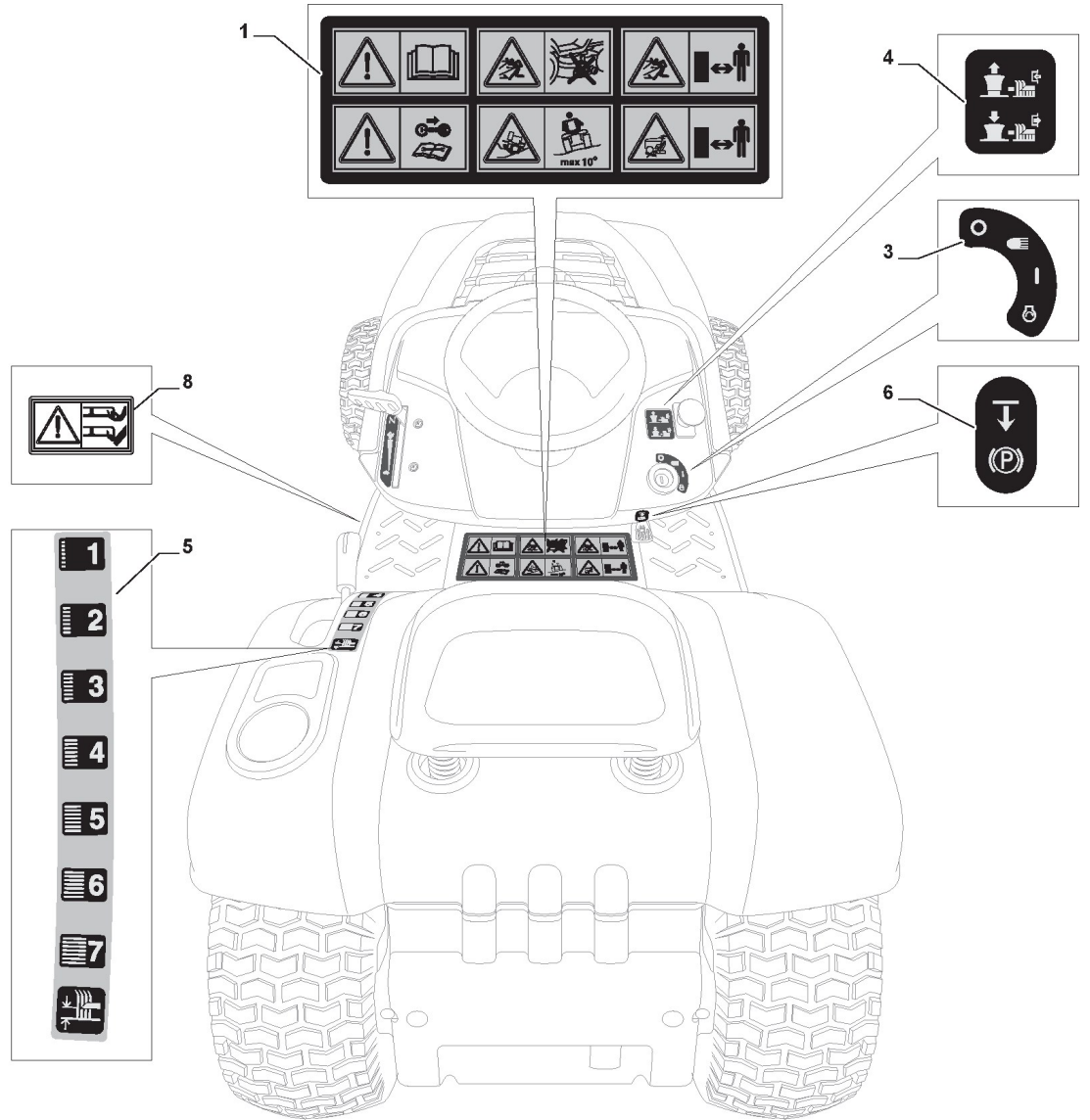
Engine - ST.

Ref.nr.	Antal	Komponentkode	Beskrivelse	Noter	From	Op til
1	1	125795001/1	Cap			
2	4	125943010/0	Screw			
3	1	325735126/0	Fuel Tank	To 31-August-2017		
3	1	325735126/1	Tank	From 01-September-2017		
4	4	118375051/1	Fair Led			
5	1	325869057/0	Connecting Tube			
6	1	118562996/0	Shut out valve			
7	1	112154210/0	Nut			
8	1	112691115/0	Screw			
11	3	112735108/1	Screw			
12	1	127598060/0	Oil Discharge Extension			
13	1	118401001/1	Oil Seal			
14	1	118737849/0	Plug			
15	1	325108044/1	Conveyor			
21	2	112792611/0	Screw			
22	2	112540260/0	Washer			
23	1	382598047/0	Muffler Protection	To 25-May-2019		
23	1	382598047/1	Muffler Protection	From 27-May-2019		
24	1	182750010/0	Muffler			
25	2	112360425/0	Nut			
26	2	112792611/0	Screw			
27	2	112540260/0	Washer			
28	1	118738269/0	Exhaust Connecting Tube			
29	2	112737450/0	Screw			
30	2	112540260/0	Washer			
35	1	325394531/0	Knob			
36	1	182000216/0	Accelerator			
37	1	112726389/0	Screw			
38	1	112290800/0	Nut			
39	2	112726389/0	Screw			
40	2	112540020/0	Washer			
41	2	112521310/0	Washer			
42	1	114363697/0	Label			



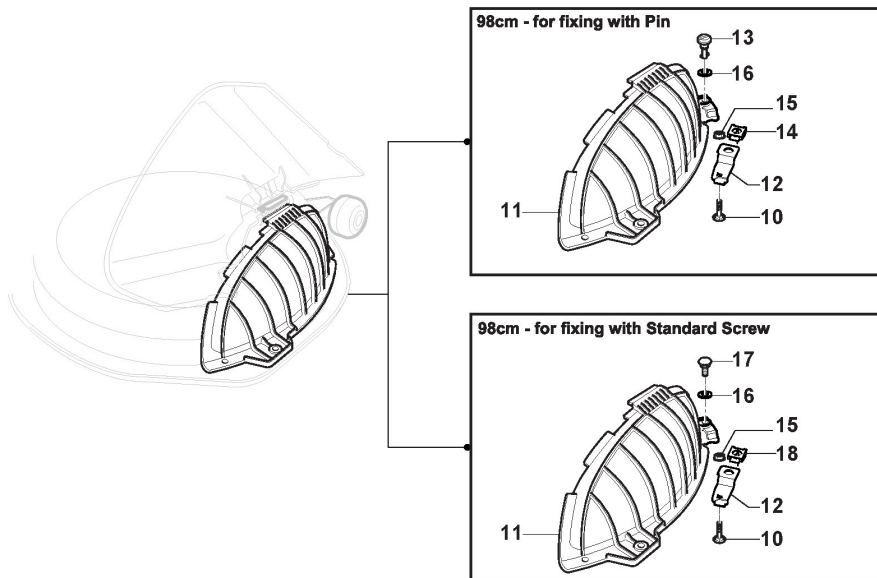
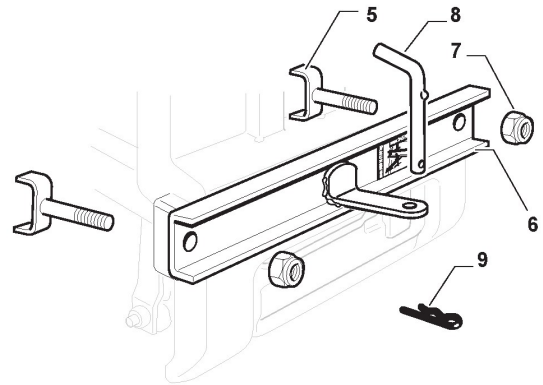
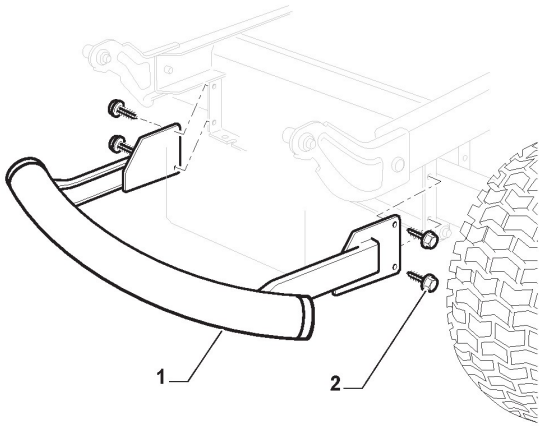
## Electrical Parts

Ref.nr.	Antal	Komponentkode	Beskrivelse	Noter	From	Op til
1	1	182040195/0	Cables Ass.Y	For Mechanical Models;To 31-August-2016		
1	1	182040195/1	Cables Ass.Y	For Mechanical Models;From 01-September-2016 To 31-August-2019		
1	1	182040195/2	Cables Ass.Y	For Mechanical Models;From 01-September-2019		
2	1	382722443/0	Electronic Card	To 31-August-2015		
2	1	382722443/1	Electronic Card	From 01-September-2015		
3	1	112735105/0	Screw			
4	1	118450075/1	Starting Switch			
5	1	325600080/0	Card Protection	To 31-August-2015		
5	1	325600090/1	Card Protection	From 01-September-2015		
6	1	118210023/0	Starting Key			
7	1	118120002/1	Battery	To 31-August-2016		
7	1	118120007/0	Battery	From 01-September-2016		
8	1	125430265/1	Spring			
9	1	118400863/0	Screwed Ring			
15	2	133215000/0	Cover			
16	1	133340036/0	Fuse 25 A			
16	1	133340040/0	Fuse 10 A			
17	2	133500007/0	Fuse Carrier			
18	1	118450073/0	Clutch Switch	Yellow		
18	1	118450074/0	Clutch Switch	Red		
19	2	119410613/0	Microswitch	To 31-August-2019		
19	1	119410622/1	Microswitch	From 01-September-2019		
20	1	182040186/0	Cable	for Lamp Version		
21	2	118459100/0	Lamp For Lights			
25	1	182180090/0	Battery Charger 12V 1A - CE Plugg	CE plugg		
26	1	325605003/0	Button			
27	1	325256250/0	Screwed Ring			
51	1	118736111/0	Starter Relay	To 31-August-2015		
51	1	118736112/0	Solenoid	From 01-September-2015		
52	2	112360352/0	Nut	To 31-August-2015		
52	2	112361005/0	Nut	From 01-September-2015		
53	1	125065002/0	Cable			
54	1	118564864/1	Protection			
55	1	112790781/0	Screw			
56	2	112154510/0	Nut			



# Labels

Ref.nr.	Antal	Komponentkode	Beskrivelse	Noter	From	Op til
1	1	114362365/1	Label			
3	1	114363699/0	Label			
4	1	114361438/0	Label			
5	1	114363701/0	Label	To 31-August-2014		
5	1	114366142/0	Label	From 01-September-2014		
6	1	114363700/0	Label			
8	1	114356699/1	Label			



## Optionals On Request

Ref.nr.	Antal	Komponentkode	Beskrivelse	Noter	From	Op til
1	1	382869038/0	Muffler Protection			
2	4	125943008/0	Screw			
5	2	382650211/0	Stiffening			
6	1	382033111/0	Rod			
7	2	112155000/0	Nut			
8	1	125510021/1	Hitch Pin			
9	1	124487999/0	Spring Pin			
10	2	112815205/0	Screw			
11	1	325140105/0	Deflector			
12	2	325785471/0	Pin			
13	2	125580040/0	Stake	for fixing with Pin		
14	2	118737221/0	Plate	for fixing with Pin		
15	2	112292102/0	Nut			
16	2	112604899/0	Crown Fastener			
17	2	125580041/0	Stake	for fixing with Standard Screw		
18	2	112437507/0	Rapid Fixing Plate	for fixing with Standard Screw		



**Tornado 2098** —2      **Tornado 3098 H** —6

**Tornado 2098 H** —3      **Tornado 2108 H** —7

**Tornado 2198 H** —4      **Tornado 3108 H** —8

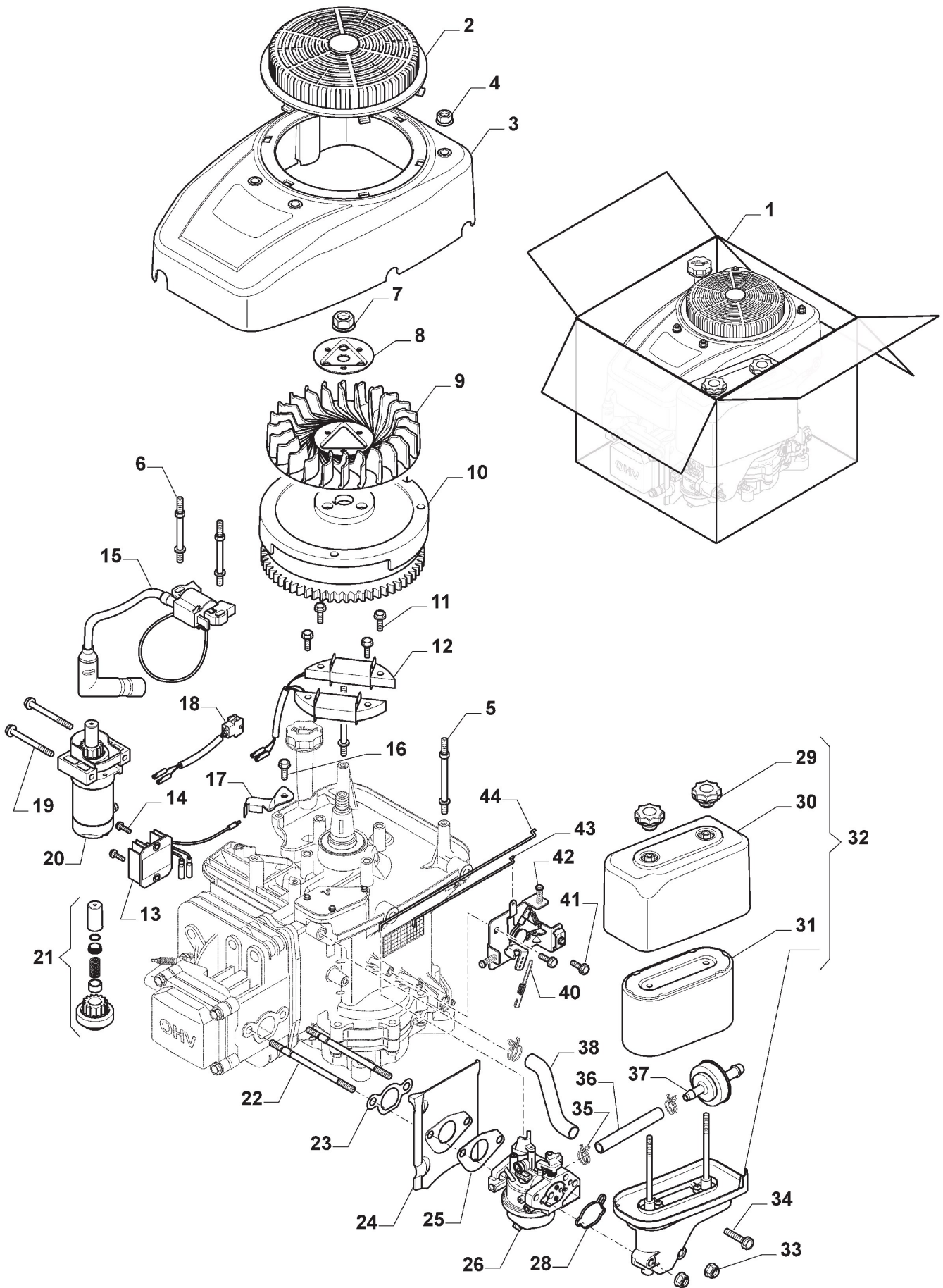
**Tornado 3098** —5      **Tornado 5108 HW** —9

**Tornado 3108 HW** —10



## Decals

Ref.nr.	Antal	Komponentkode	Beskrivelse	Noter	From	Op til
1	3	114367495/1	Label			
2	2	114368450/0	Label	Tornado 2098		
3	2	114368451/0	Label	Tornado 2098 H		
4	2	114368452/0	Label	Tornado 2198 H		
5	2	114368453/0	Label	Tornado 3098		
6	2	114368454/0	Label	Tornado 3098 H		
7	2	114369521/0	Label	Tornado 2108 H		
8	2	114368455/0	Label	Tornado 3108 H		
9	2	114368456/0	Label	Tornado 5108 HW		
10	2	114369976/0	Label	Tornado 3108 HW		



## Engine - Starter Assy, Tank

Ref.nr.	Antal	Komponentkode	Beskrivelse	Noter	From	Op til
1	1	118551424/0	Engine Assembled			
2	1	118551409/0	Cover Assy			
3	1	118551392/0	Air Intake Grill			
4	4	118550806/0	Nut			
5	2	118551422/0	Stud Bolt			
6	2	118551421/0	Stud Bolt			
7	1	118551417/0	Nut			
8	1	118551408/0	Starter Cup			
9	1	118550235/1	Flywheel Fan			
10	1	118551410/0	Flywheel Ass.Y			
11	4	112792099/0	Screw			
12	1	118551411/0	Coil Assy, Charge			
13	1	118551413/0	Rectfier			
14	2	9959-0616-16	Screw			
15	1	118551414/0	Eleetronic Coil			
16	1	9959-0616-16	Screw			
17	1	118551374/0	Plate			
18	1	118551415/0	Output Wire, Rectifier			
19	2	112692050/0	Screw			
20	1	118551412/0	Start Motor Assy			
21	1	118551426/0	Kit Repair			
22	2	118551416/0	Stud Bolt			
23	1	118551395/0	Carburetor Gasket			
24	1	118551397/0	Guard			
25	2	118551394/0	Carburetor Gasket			
26	1	118551393/0	Carburettor			
28	1	118551396/0	Carburetor Gasket			
29	2	118551407/0	Knob			
30	1	118551405/0	Air Cleaner Cover			
31	1	118551406/0	Air Filter			
32	1	118551404/0	Air Cleaner Assy			
33	2	118550806/0	Nut			
34	1	112674701/0	Screw			
36	2	118550918/0	Pipe Clip			
36	1	118551420/0	Fuel Pipe			
37	1	118550427/0	Fuel Filter			
38	1	118551419/0	Breather Pipe			
40	1	118551400/0	Spring			
41	2	118550806/0	Nut			
42	1	118551402/0	Remote Control Assy			
43	1	118551398/0	Choke Control Rod			
44	1	118551399/0	Governor Link			



## Engine - Piston, Crankshaft

Ref.nr.	Antal	Komponentkode	Beskrivelse	Noter	From	Op til
1	1	9959-0620-16	Screw			
2	1	118551375/0	Oil Filler Assy			
3	1	118551418/0	Oil Seal			
4	1	118551387/0	Crankshaft			
5	1	118551386/0	Connecting Rod Assy			
6	1	118551423/0	Piston Assy			
7	1	118551385/0	Piston, Ring Set			
8	1	118551384/0	Piston Pin			
9	2	118551283/0	Washer, Piston Pin			
10	1	118551388/0	Counterweight			
11	1	118551282/0	Washer			
12	1	118551389/0	Camshaft Assy			
13	1	118551376/0	Crankcase Gasket			
14	1	112791500/0	Screw			
15	1	118551403/0	Speed Governor Assy			
16	1	118551425/0	Crankcase Cover			
17	9	9959-0840-16	Screw			
18	1	118551418/0	Oil Seal			
19	1	118551373/0	Oil Drain Plug			
20	2	118551252/0	Valve Lifter			
21	2	118551390/0	Push Rod			
22	1	118551381/0	Gasket			
23	1	118551289/0	Valve Assy, Intake + Exhaust			
24	2	118551245/0	Plate			
25	2	118551248/0	Gasket			
26	1	118551380/0	Cylinder Head			
27	2	118550529/0	Spring Valve			
28	2	118551246/0	Retainer			
29	4	118551247/0	Valve keeper			
30	2	118551244/0	Valve cap			
31	1	118551391/0	Plate			
32	2	118551250/0	Valve Arm Set			
33	6	118551427/0	Screw			
34	1	118551383/0	Seal			
35	1	118551382/0	Cover Comp., Head			
36	4	112791500/0	Screw			
37	1	9400-0244-00	Spark Plug			
38	1	118551272/0	Muffler Gasket			
39	1	118551269/0	Plate, Governor Holder			
41	3	9959-0616-16	Screw			
42	1	118551377/0	Cover			
43	1	118551378/0	Gasket, Breath Groove			
44	1	118551379/0	Valve			
45	1	118550936/0	Shaft, Governor Arm			
46	1	118550666/0	Washer			
47	1	118550935/0	Oil Seal			
48	1	118550934/0	Spring Pin			
49	1	118551401/0	Staffa			